



MODEL SIG80-110LED

(Fan/Dimmable LED Light/Night-Light – 80/110 CFM)

	Full Speed:	Full Speed:		
	80 CFM/<0.3 Sones @ 0.1" SP, 6.8 Watts 80 CFM/0.5 Sones @ 0.25" SP, 9.9 Watts	110 CFM/<0.3 Sones @ 0.1" SP, 9.7 Watts 110 CFM/0.8 Sones @ 0.25" SP, 15.5 Watts		

Description

Low noise ceiling mount ventilating fan/dimmable LED light/night-light rated for continuous running. Fan has been awarded ENERGY STAR® Most Efficient. It is HVI, UL, and cUL certified to comply with ASHRAE 62.2 local and whole building continuous and intermittent operation. Meets CA Title 24 requirements

DC Motor/Blower

- Power rating of 120 volts/60Hz
- Brushless DC motor engineered to run continuously
- Motor equipped with thermal cutoff fuse
- Removable with permanently lubricated plug-in motor
- Full speed adjustable, 80 or 110 CFM
- Built-in soft start function increases bearing life
- Automatically powers OFF if impeller is locked abnormally
- Self-compensating motor speed for intended airflow when static pressure is encountered

Housing

- Galvanized steel body
- Detachable 6" diameter metal duct adapter
- Includes 6" to 4" duct reducer
- Built-in backdraft damper
- Easy installation with expandable extension bracket

Grille

- Attractive design using ABS material
- Attaches directly to housing with torsion springs
- White

Light

- (1) 13-Watt LED main light included (equivalent to a 60-Watt incandescent bulb)
- (1) 2-Watt LED night-light included
- Main light output: 950 Lumens, 3000K, and 90 CRI LED Indicator

LED Indicator

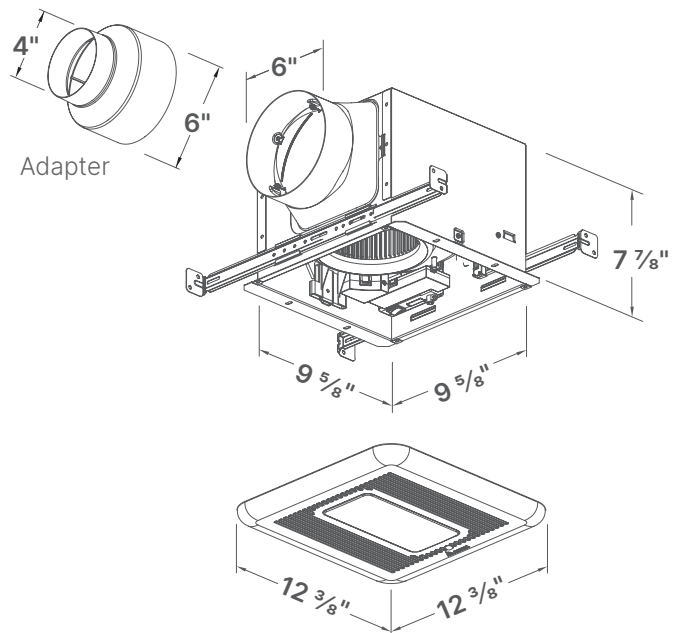
- Turn the power switch on/off to operate on/off LED indicator will be green when power is on

Warranty

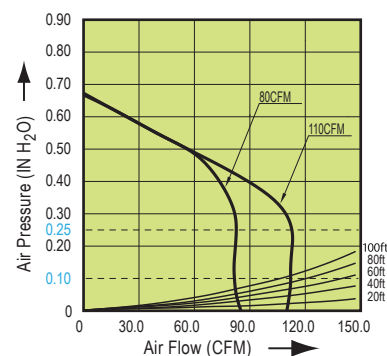
- 3-Year limited warranty

TYPICAL SPECIFICATION

Ventilation fan shall be Delta Breez model SIG80-110LED; ENERGY STAR qualified with Brushless DC Motor engineered to run continuously for a minimum 70,000 hours; airflow rating of 110 CFM and loudness rating of <0.3 Sones at 0.1" static pressure as certified by the Home Ventilating Institute (HVI); power consumption of 9.7 Watts with efficiency rating of 12.7 CFM/Watt at 0.1" static pressure; fan will feature motor lock protection and self-compensating motor speed for intended airflow when static pressure is encountered. UL and cUL listed for tub/shower enclosure when used with GFCI-protected branch circuit wiring.






SIG80-110LED Fan Curve





(Fan/Dimmable LED Light/Night-Light – 80/110 CFM)

	Full Speed: 80 CFM/<0.3 Sones @ 0.1" SP, 6.8 Watts 80 CFM/0.5 Sones @ 0.25" SP, 9.9 Watts	Full Speed: 110 CFM/<0.3 Sones @ 0.1" SP, 9.7 Watts 110 CFM/0.8 Sones @ 0.25" SP, 15.5 Watts		
---	--	---	---	---

BreezSignature SIG80-110LED				
6" Duct Standard				
Fan Speed	Full Speed			
Static Pressure (Inches w.g.)	0.1	0.25	0.1	0.25
Air Flow (CFM)	80	80	110	110
Sones	<0.3	0.5	<0.3	0.8
Power Consumption (Watts)	6.8	9.9	9.7	15.5
Energy Efficiency (CFM/Watts)	13.8	8.4	12.7	8.0
Current (Amps)	0.48 Max			
Power Rating (V/Hz)	120 / 60			
Light (Watts/Lumens)	13			
Night Light (Watts)	2			

BreezSignature SIG80-110LED				
4" Duct Standard				
Fan Speed	Full Speed			
Static Pressure (Inches w.g.)	0.1	0.25	0.1	0.25
Air Flow (CFM)	80	80	110	106
Sones	<0.3	1.2	1.0	2.0
Power Consumption (Watts)	7.8	12.5	13.5	18
Energy Efficiency (CFM/Watts)	12.2	7.5	9.3	6.5
Current (Amps)	0.48 Max			
Power Rating (V/Hz)	120 / 60			
Light (Watts/Lumens)	13			
Night Light (Watts)	2			

Models	Quantity	Comments	Project:
			Location:
			Architect:
			Engineer:
			Contractor:
			Submitted by:
			Date: