



# MODEL SIG80-110MHLED

(Fan/Dimmable LED Light/Night-Light with Motion/Humidity Sensor – 80/110 CFM)

	<b>Full Speed:</b>	<b>Full Speed:</b>		
	80 CFM/<0.3 Sones @ 0.1" SP, 6.8 Watts 80 CFM/0.5 Sones @ 0.25" SP, 9.9 Watts	110 CFM/<0.3 Sones @ 0.1" SP, 9.7 Watts 110 CFM/0.8 Sones @ 0.25" SP, 15.5 Watts		

## Description

Low noise ceiling mount ventilating fan/dimmable LED light/night-light with motion and humidity sensor rated for continuous running. Fan has been awarded ENERGY STAR® Most Efficient. It is HVI, UL, and cUL certified to comply with ASHRAE 62.2 local and whole building continuous and intermittent operation. Meets CA Title 24 requirements

## DC Motor/Blower

- Power rating of 120 volts/60Hz
- Brushless DC motor engineered to run continuously
- Motor equipped with thermal cutoff fuse
- Removable with permanently lubricated plug-in motor
- Motion control selectable, fan, light or fan/light
- Full speed adjustable, 80 or 110 CFM
- When motion is detected, fan runs at full speed. When user leaves, fan remains running at full speed until delay time (20 minutes) has passed, then fan runs humidity control mode
- For humidity control mode, when humidity is above the user-adjustable set-point, fan runs at full speed. When humidity is below the set-point, the fan runs continuously at a pre-set lower level (0, 30, 50, 60, or 80 CFM)
- Adjustable humidity set points between ~50% to ~90% RH
- Built-in soft start function increases bearing life
- Automatically powers OFF if impeller is locked abnormally
- Self-compensating motor speed for intended airflow when static pressure is encountered

## Housing

- Galvanized steel body
- Detachable 6" diameter metal duct adapter
- Includes 6" to 4" duct reducer
- Built-in backdraft damper
- Easy installation with expandable extension bracket

## Grille

- Attractive design using ABS material
- Attaches directly to housing with torsion springs
- White

## Light

- (1) 13-Watt LED main light (equivalent to a 60-Watt incandescent bulb) and (1) 2-Watt LED night-light included
- Main light output: 800 Lumens, 3000K, and 90 CRI LED Indicator

## LED Indicator

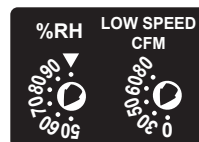
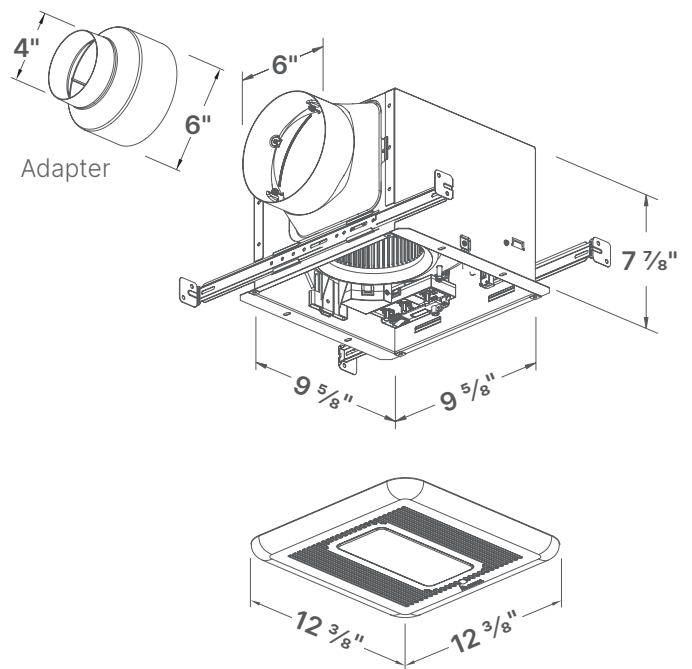
- Blue and amber LED indicator lights to show humidity sensor and full speed modes

## Warranty

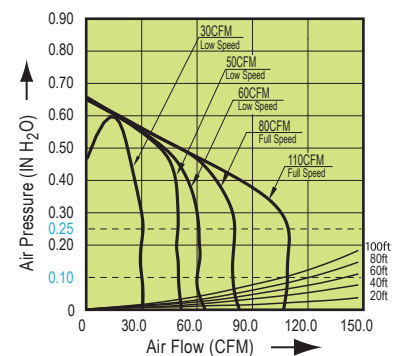
- 3-Year limited warranty

## TYPICAL SPECIFICATION

Ventilation fan shall be Delta Breez model SIG80-110MHLED; ENERGY STAR qualified with Brushless DC Motor engineered to run continuously for a minimum 70,000 hours; airflow rating of 110 CFM and loudness rating of <0.3 Sones at 0.1" static pressure as certified by the Home Ventilating Institute (HVI); power consumption of 9.7 Watts with efficiency rating of 12.7 CFM/Watt at 0.1" static pressure; fan will feature motor lock protection and self-compensating motor speed for intended airflow when static pressure is encountered. UL and cUL listed for tub/shower enclosure when used with GFCI-protected branch circuit wiring.



### SIG80-110MHLED Fan Curve





(Fan/Dimmable LED Light/Night-Light with Motion/Humidity Sensor – 80/110 CFM)

	<b>Full Speed:</b> 80 CFM/<0.3 Sones @ 0.1" SP, 6.8 Watts 80 CFM/0.5 Sones @ 0.25" SP, 9.9 Watts	<b>Full Speed:</b> 110 CFM/<0.3 Sones @ 0.1" SP, 9.7 Watts 110 CFM/0.8 Sones @ 0.25" SP, 15.5 Watts		
--	--	---	--	--

<b>BreezSignature SIG80-110MHLED</b>										
6" Duct Standard										
Fan Speed	Continuous Low Speed						Full Speed			
Static Pressure (Inches w.g.)	0.1	0.25	0.1	0.25	0.1	0.25	0.1	0.25	0.1	0.25
Air Flow (CFM)	30	30	50	50	60	60	80	80	110	110
Sones	<0.3	<0.3	<0.3	<0.3	<0.3	0.3	<0.3	0.5	<0.3	0.8
Power Consumption (Watts)	4.4	6.7	5.2	8.2	5.6	8.7	6.8	9.9	9.7	15.5
Energy Efficiency (CFM/Watts)	9.5	5.8	12.3	7.1	13.2	8.0	13.8	8.4	12.7	8.0
Current (Amps)	0.48 Max									
Power Rating (V/Hz)	120/60									
LED Main Light (Watts)	13									
LED Night Light (Watts)	2									

<b>BreezSignature SIG80-110MHLED</b>										
6" Duct Standard										
Fan Speed	Continuous Low Speed						Full Speed			
Static Pressure (Inches w.g.)	0.1	0.25	0.1	0.25	0.1	0.25	0.1	0.25	0.1	0.25
Air Flow (CFM)	30	30	50	50	60	58	80	80	110	106
Sones	<0.3	<0.3	<0.3	0.5	<0.3	0.8	<0.3	1.2	1.0	2.0
Power Consumption (Watts)	4.5	7.1	5.4	8.2	6.3	9.5	7.8	12.5	13.5	18.0
Energy Efficiency (CFM/Watts)	9.1	6.0	11.7	7.1	12.2	7.3	12.2	7.5	9.3	6.5
Current (Amps)	0.48 Max									
Power Rating (V/Hz)	120/60									
LED Main Light (Watts)	13									
LED Night Light (Watts)	2									

Models	Quantity	Comments	Project:
			Location:
			Architect:
			Engineer:
			Contractor:
			Submitted by:
			Date: