

(Fan with Humidity Sensor – 80/110 CFM)

	<b>Full Speed:</b>	<b>Full Speed:</b>	
	80 CFM/0.4 Sones @ 0.1" SP, 8.5 Watts 80 CFM/1.0 Sones @ 0.25" SP, 14.5 Watts	110 CFM/1.2 Sones @ 0.1" SP, 16.5 Watts 110 CFM/1.5 Sones @ 0.25" SP, 24 Watts	

### Description

Low noise ceiling/wall mount ventilating fan rated for continuous running. Fan is ENERGY STAR qualified, HVI, UL, and cUL certified, and can be used to comply with ASHRAE 62.2 (local and whole building continuous and intermittent operation) and CA Title 24 requirements.

### DC Motor/Blower

- Power Rating of 120 volts/60Hz
- Motor equipped with thermal cutoff fuse
- Removable with permanently lubricated plug-in motor
- Full speed adjustable, 80 or 110 CFM
- For humidity control mode, when humidity is above the user-adjustable set-point, fan runs at full speed. When humidity is below the set-point, the fan runs continuously at a pre-set lower level (0, 50 or 80 CFM)
- Adjustable humidity set points between ~50% to ~80% RH
- Built-in soft start function to increase bearings' life
- Automatically powers OFF when impeller is locked abnormally

### Housing

- Galvanized steel body
- Detachable 4" oval metal duct adapter
- Built-in backdraft damper
- Hanger bar include
- Easy installation with mounting flange

### Grille

- Attractive design using ABS material
- Attaches directly to housing with torsion springs

### LED Indicator

- Blue and amber LED indicator lights to show humidity sensor and full speed modes

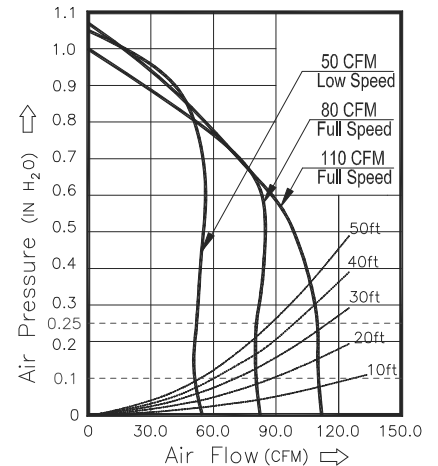
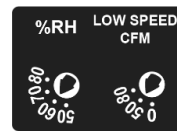
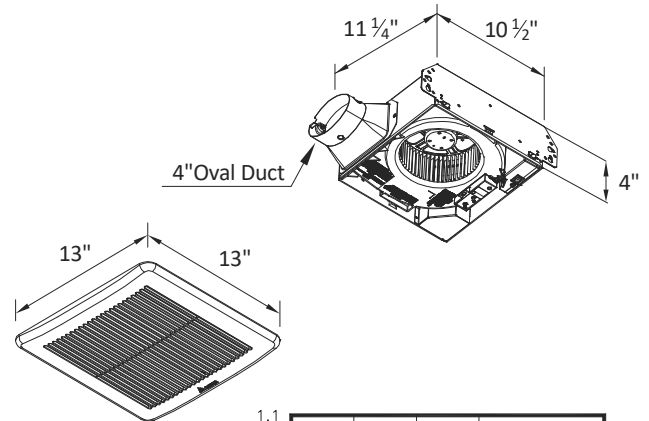
BreezSlim SLM80-110H-C								
Fan Speed	Continuous low speed				Full speed			
Static Pressure (inches w.g.)	0.1	0.25	0.1	0.25	0.1	0.25	0.1	0.25
Air Flow (CFM)	50	50	80	80	80	80	110	110
Sones	<0.3	0.8	0.4	1.0	0.4	1.0	1.2	1.5
Power (W)	6	9.5	8.5	14.5	8.5	14.5	16.5	24
Efficiency (CFM/Watts)	8.3	5.2	9.4	5.5	9.4	5.5	6.6	4.5
Current (Amps)	0.6 Max.							
Power Rating (V/Hz)	120 / 60							

### Warranty

- 3-Year limited warranty

### TYPICAL SPECIFICATION

Ventilation fan shall be Delta Breez model SLM80-110H-C; ENERGY STAR qualified with Brushless DC Motor engineered to run continuously for a minimum 70,000 hours; airflow rating of 110 CFM and loudness rating of 1.2 Sones at 0.1 static pressure as certified by the Home Ventilating Institute (HVI); power consumption of 16.5 Watts with efficiency rating of 6.6 CFM/Watt at 0.1" static pressure; fan will feature motor lock protection and self-compensating motor speed for intended airflow when static pressure is encountered. UL and cUL listed for tub/shower enclosure when used with GFCI-protected branch circuit wiring.



Model	Quantity	Comments	Project:
			Location:
			Architect:
			Engineer:
			Contractor:
			Submitted by:
			Date: