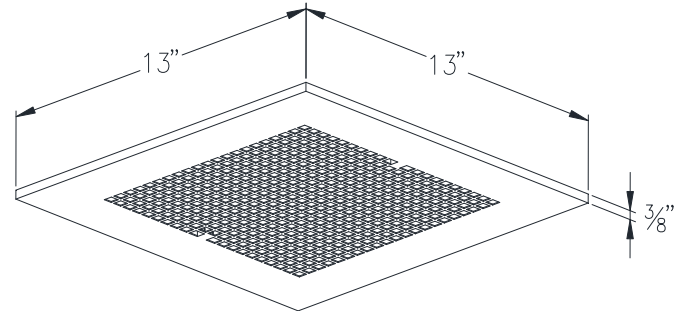


**Description**

The SMT-MTL Metal Grille is offered as an alternative to the standard grille.

**Application**

- Accessorizes fans in Delta Breez SMART series
- Adds modern aesthetic to bathroom
- Printable for assed customization
- Available for Delta Breez Ventilation Fans: SMT130, SMT130H, SMT150, SMT150D, SLM80 and SLM100.



**Features**

- Made of galvanized steel material and white painted
- Size: 13 x 13 x 3/8 inches
- Attaches directly to fan housing with torsion springs

Information is subject to change without notice or obligation

Model	Quantity	Comments	Project:
			Location:
			Architect:
			Engineer:
			Contractor:
			Submitted by:
			Date: