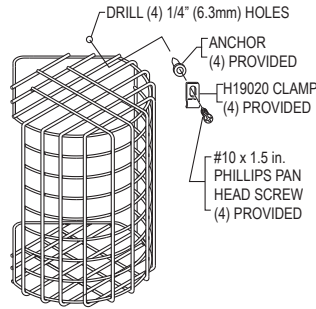
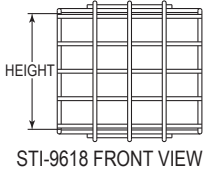
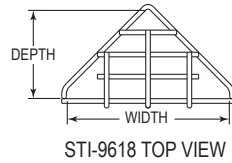
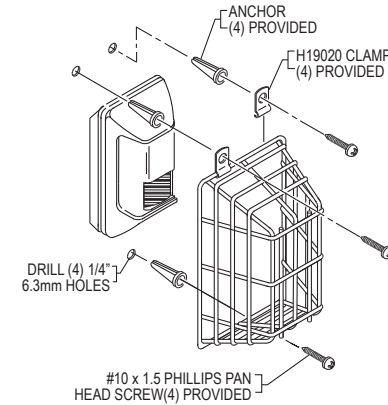
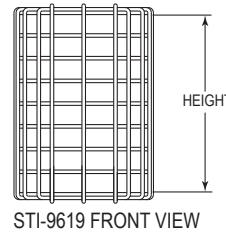
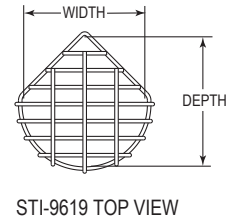


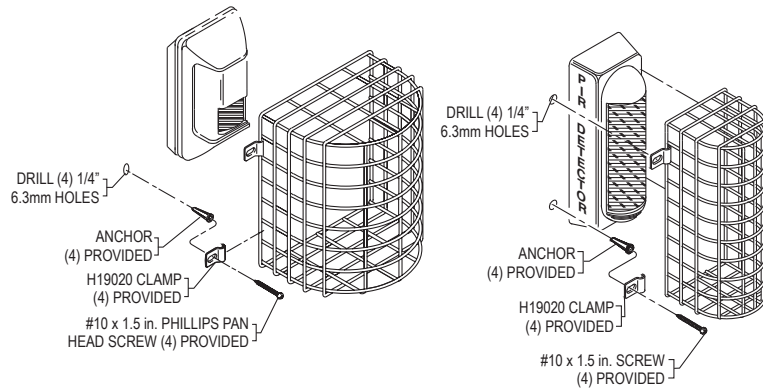
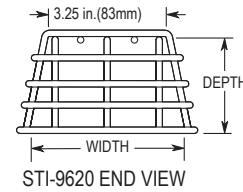
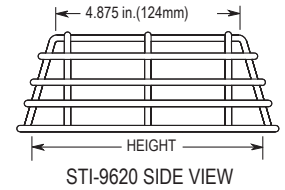
STI-9618



STI-9619

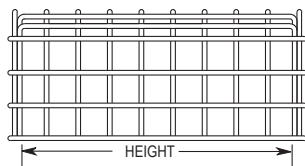


STI-9620

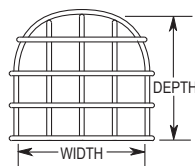


STI-9621

STI-9622



STI-9621/9622 SIDE VIEW



STI-9621/9622 END VIEW

INSTALLATION INSTRUCTIONS

1. Center the wire guard over existing motion detector.
2. Mark and drill (4) mounting holes (see pictorial for size).

Lag Bolts - If lag shields and lag bolts are used, make sure anchor is flush with surface. Position guard, insert lag bolt and tighten. Length of bolt should be selected to assure full thread engagement in anchor.

3. For installations that require tamperproof fasteners, order KIT-82 stainless steel screws and part no. KIT-19038 bit.

| Model | Height | Width | Depth |
|----------|-------------------|-------------------|-------------------|
| STI-9618 | 4.62 in. (117 mm) | 5.37 in. (136 mm) | 3.0 in. (76 mm) |
| STI-9619 | 7.75 in. (196 mm) | 5.37 in. (136 mm) | 5.62 in. (142 mm) |
| STI-9620 | 6.25 in. (158 mm) | 4.0 in. (102 mm) | 2.25 in. (57 mm) |
| STI-9621 | 7.0 in. (178 mm) | 5.75 in. (146 mm) | 4.5 in. (114 mm) |
| STI-9622 | 8.75 in. (222 mm) | 4.0 in. (102 mm) | 3.75 in. (95 mm) |

Three year warranty or a one year limited warranty (from date of purchase) on most products. See website for details. Electronic warranty form at www.sti-usa.com/wc14.



STI MOTION DETECTOR DAMAGE STOPPER®
All specifications and information shown were current as of publication and are subject to change without notice.
9618 MAR2024



ADDITIONAL WIRE GUARDS AVAILABLE

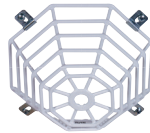
Visit www.sti-usa.com/w1 for complete details

All dimensions are approximate

SMOKE DETECTOR GUARDS

| | |
|-------------|--------------|
| STI-9601 | 8.25 x 2.75" |
| STI-9601-SS | 8.25 x 2.75" |
| STI-9602 | 8.25 x 4.25" |
| STI-9604 | 7 x 3.25" |
| STI-9604-SS | 7 x 3.25" |
| STI-9605 | 7.125 x 4.5" |
| STI-9605-SS | 7.125 x 4.5" |
| STI-9609 | 8.25 x 4.6" |
| STI-9609-SS | 8.25 x 4.6" |

| | |
|----------|--------------|
| STI-9610 | 8.25 x 6" |
| STI-9701 | 7 x 2.8" |
| STI-9712 | 6.87 x 4.53" |
| STI-9713 | 6.87 x 2.50" |



STI-9604



STI-9712

BEAM SMOKE DETECTORS

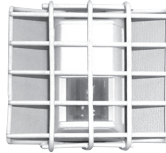
| | |
|----------|---------------------|
| STI-9623 | 7.75 x 6 x 6" |
| STI-9624 | 8.875 x 5.5 x 4.75" |
| STI-9706 | 10.82 x 9.32 x 4" |
| STI-9707 | 11 x 9.62 x 5.5" |
| STI-9840 | 6.61 x 5.78" |
| STI-9841 | 11.52 x 10 x 3.58" |
| STI-9845 | 6.7 x 9.2 x 4.07" |
| STI-9846 | 7.6 x 11.6 x 5.6" |



STI-9624

PIR GUARDS

| | |
|----------|---------------------|
| STI-9618 | 4.62 x 5.37 x 3" |
| STI-9619 | 7.75 x 5.37 x 5.62" |
| STI-9620 | 6.25 x 4 x 2.25" |
| STI-9621 | 7 x 5.75 x 4.50" |
| STI-9622 | 8.75 x 4 x 3.75" |



STI-9618



STI-9621

CLOCK/BELL WIRE CAGES

| | |
|------------|----------------------|
| STI-9631-R | 10.5" Diameter - Red |
| STI-9635 | 14.25" Diameter |
| STI-9636 | 20.75" Diameter |
| STI-9637 | 26.75" Diameter |



STI-9636

EXIT SIGN WIRE CAGES

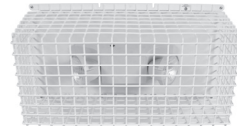
| | |
|----------|-----------------------|
| STI-9640 | 10.5 x 13.75 x 2.75" |
| STI-9740 | 15.5 x 20.5 x 6" |
| STI-9742 | 15.59 x 16.09 x 3.30" |



STI-9640

EMERGENCY LIGHT CAGES

| | |
|----------|------------------------|
| STI-9641 | 19.7 x 14.6 x 4" |
| STI-9644 | 8.7 x 17.7 x 5" |
| STI-9645 | 13.8 x 21.7 x 5.9" |
| STI-9649 | 10.75 x 24.75 x 11.25" |
| STI-9703 | 5 x 13.5 x 4" |



STI-9649

BEACON & SOUNDER CAGES

| | |
|----------|-------------------|
| STI-9614 | 7.9 x 6" |
| STI-9615 | 3.7 x 3.5" |
| STI-9617 | 5.9 x 4.9" |
| STI-9664 | 3.86 x 6.18" |
| STI-9665 | 7 x 8.43" |
| STI-9750 | 9.6 x 2.8" |
| STI-9754 | 8.4 x 9.2 x 3.5" |
| STI-9760 | 8.5 x 3.2" |
| STI-9761 | 8.5 x 5.7" |
| STI-9762 | 6.2 x 4.75 x 2.5" |
| STI-9763 | 6.2 x 4.75 x 4" |
| STI-9764 | 6.6 x 6 x 2.5" |
| STI-9765 | 6.6 x 6 x 4.4" |
| STI-9766 | 8.2 x 6.75 x 2.9" |
| STI-9767 | 8.2 x 6.75 x 5" |



STI-9615



STI-9664

MISCELLANEOUS WIRE CAGES

| | | | |
|----------|---------------------|------------|------------------------|
| STI-9705 | 7.4 x 6.15 x 3.39" | STI-9731 | 12 x 12 x 8" |
| STI-9708 | 7.49 x 6.74 x 6.09" | STI-9732 | 18 x 15 x 13" |
| STI-9711 | 8.26 x 8.26 x 3.54" | STI-9880 | 10.45 x 62.75 x 6.2" |
| STI-9714 | 8.55 x 8.55 x 6.23" | STI-9881 | 10.45 x 98.25 x 6.2" |
| STI-9717 | 6.1 x 9.3 x 2.4" | STI-101075 | 10 x 10 x (63 to 75)" |
| STI-9720 | 6.1 x 9.3 x 4.9" | STI-241416 | 33.25 x 23.29 x 16" |
| STI-9729 | 7 x 7 x 7" | STI-282121 | 39.06 x 32.01 x 21.29" |
| STI-9730 | 12 x 12 x 12" | | |



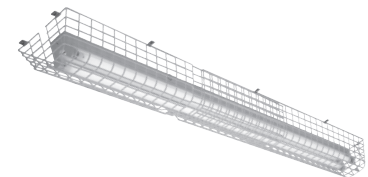
STI-101075



STI-9705



STI-9729



STI-9880