

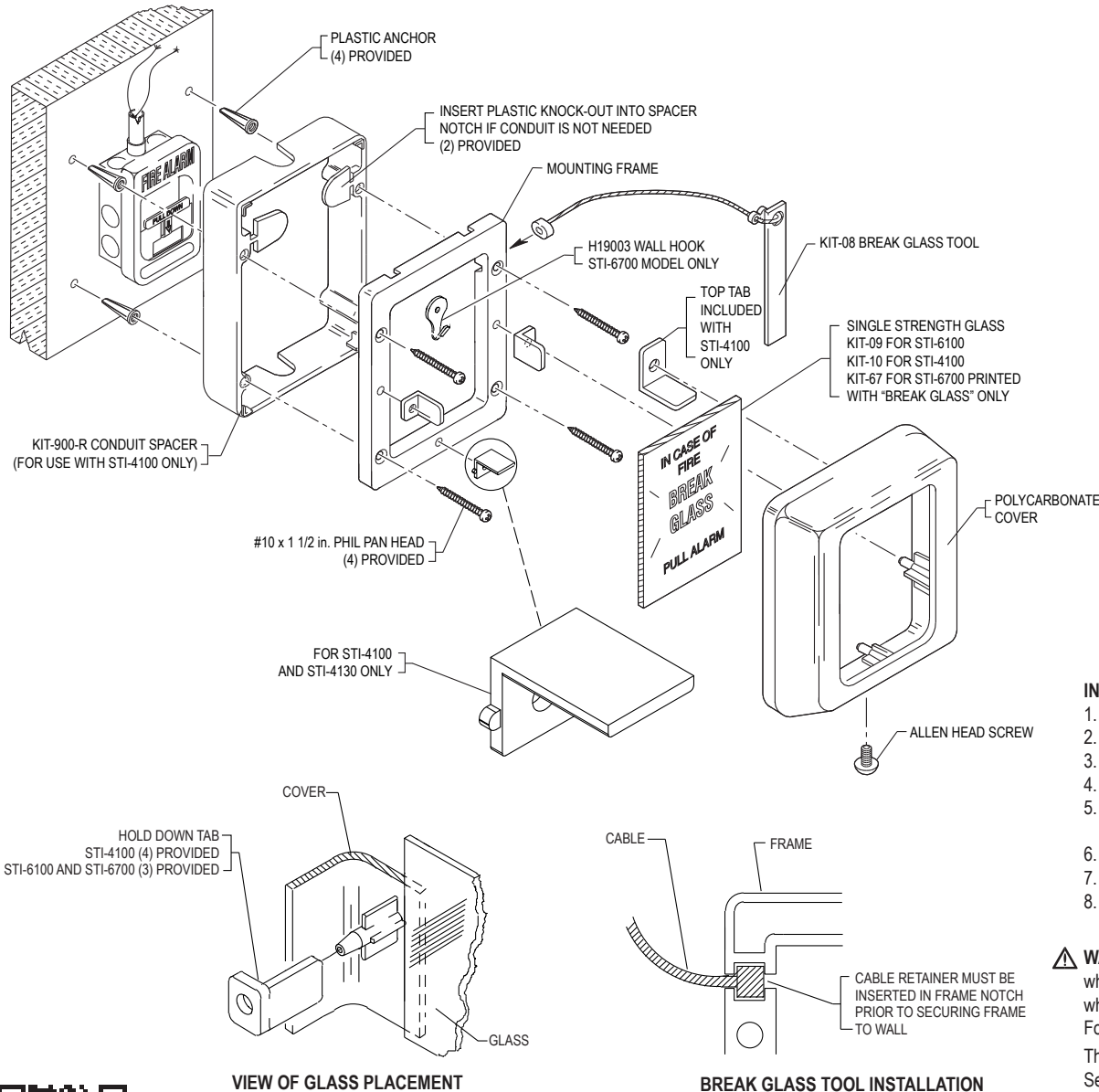


Safety Technology International

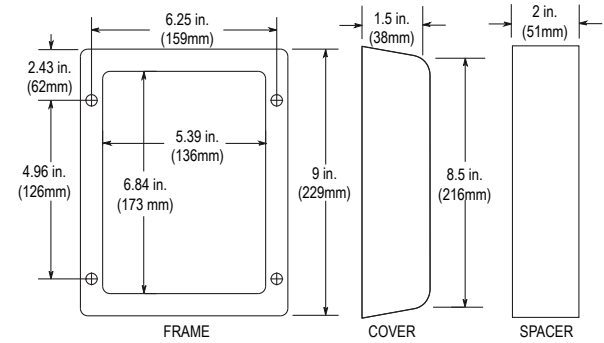
2306 Airport Road
Waterford • Michigan • 48327-1209
Phone: 248-673-9898
E-mail: info@sti-usa.com • Web: www.sti-usa.com

Taylor House • 34 Sherwood Road • Bromsgrove
Worcestershire • B60 3DR • England
Tel: +44 (0)1527 520 999
E-mail: info@sti-emea.com • Web: www.sti-emea.com

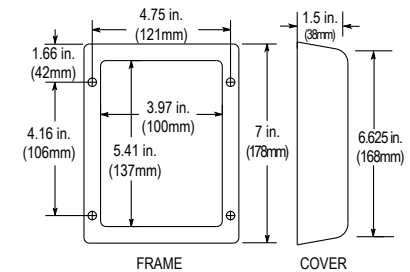
Unit 7A • Lockheed Avenue
Airport Business Park
Waterford • X91 HWF2 • Ireland
E-mail: info@sti-emea.com



PRODUCT DIMENSIONS STI-4100 and KIT-900-R (SPACER)



STI-6100 and STI-6700



INSTALLATION NOTES

1. Using frame as a template, mark four (4) holes for installation.
2. Drill four (4) 1/4 in. holes approximately 1 1/4 in. deep.
3. Insert four (4) anchors (provided) into mounting holes.
4. Install break glass tool inside of mounting frame.
5. Place mounting frame with break glass tool installed and conduit spacer (if used - only in some STI-4100 installations) over pull station.
6. Tighten mounting screws (provided) in mounting holes.
7. Place cover and glass assembly over mounting frame.
8. Tighten 19001 allen head screw at bottom of cover.

⚠ WARNING: This product can expose you to chemicals including Dichloromethane, which is known to the State of California to cause cancer, and Bisphenol A (BPA), which is known to the State of California to cause birth defects or other reproductive harm. For more information go to www.P65Warnings.ca.gov.

Three year warranty or a one year limited warranty (from date of purchase) on most products. See website for details. Electronic warranty form at www.sti-usa.com/wc14.



USA

STI BREAK GLASS STOPPERS® STI-4100, STI-4130, STI-6100 AND STI-6700

All specifications and information shown were current as of publication and are subject to change without notice.

4100/6100IS APR2022



EMEA