

Connelly® Single-Handle Lavatory Faucet

FEATURES

- WaterSense certified low-flow 1.2 gpm (4.5 lpm) faucet
- Lever handle
- Brass construction
- Ceramic disk mixing cartridge
- Metal pop-up drain assembly included

COLORS/FINISHES

- #CP Polished Chrome
- #BN Brushed Nickel
- #PN Polished Nickel

CODES/STANDARDS

- Complies with federal and state lead-free legislation
- Meets or exceeds ASME A112.18.1/CSA B125.1, NSF 61-9, NSF 372
- Certifications: IAPMO(cUPC), EPA WaterSense, California Energy Commission (CEC), State of Massachusetts and others
- Code Compliance: UPC, IPC, NSPC, NPC Canada, California Green Building Code, City of Los Angeles Water Efficiency Ordinance, City of New York and others
- ADA compliant



PRODUCT SPECIFICATION

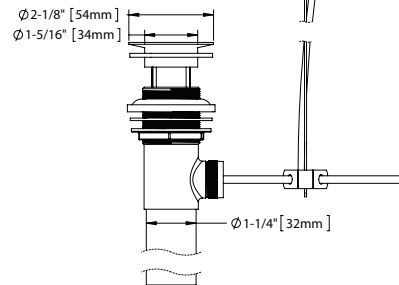
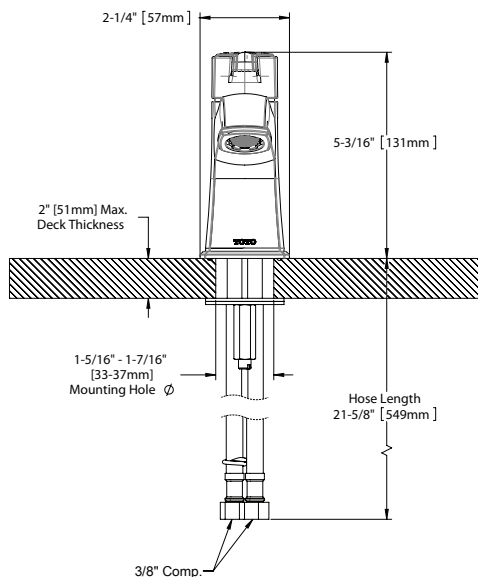
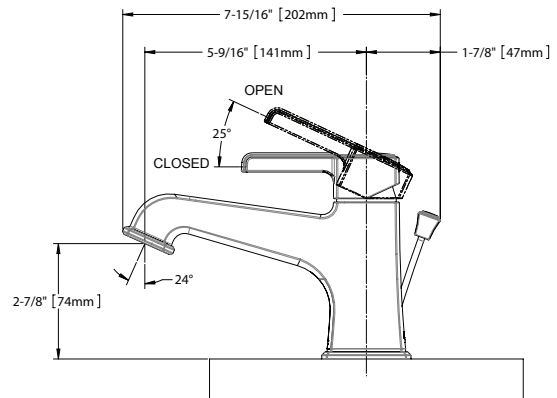
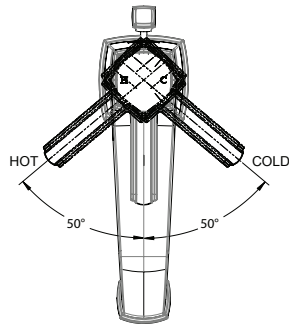
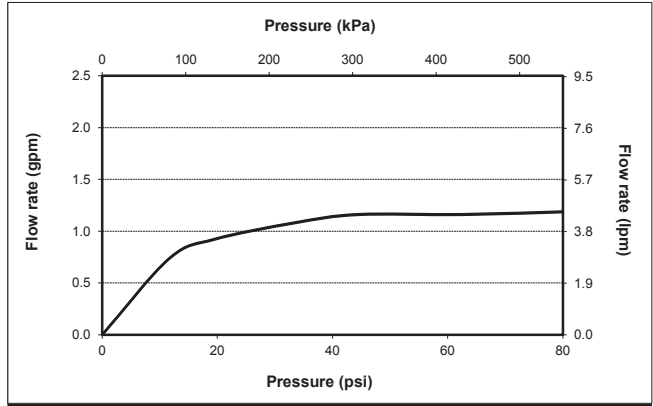
The single-handle lavatory faucet shall have a maximum flow rate of 1.2 gpm (4.5 lpm). Product shall have lever handle. Product shall have a pivoting aerator. Product shall have a brass construction. Product shall have a ceramic disk mixing cartridge. Product shall include metal pop-up drain assembly. Product shall be TOTO Model TL221SD12#_____.

TL221SD12

Connelly® Single-Handle Lavatory Faucet

SPECIFICATIONS

- Warranty Lifetime Limited Warranty (Residential Use)
One Year (Commercial Use)
- Material Brass
- Maximum Flow Rate 1.2 gpm (4.5 lpm)
- Shipping Dimensions 15" L x 7-7/8" W x 3" H
- Shipping Weight 5.0 lbs.



TOTO®

These dimensions and specifications are subject to change without notice