

GR Single-Handle Faucet – Semi-Vessel

FEATURES

- WaterSense® certified low-flow 1.2 gpm faucet
- Smooth handle control with Comfort Glide™ technology
- Diamond-Like Carbon (DLC) coated ceramic cartridge for ultimate durability
- Brass construction
- Lever handle
- Metal pop-up drain assembly included

COLORS/FINISHES

- #CP Polished Chrome
- #BN Brushed Nickel

Made to Order

- #PFG Polished French Gold
- #PBR Polished Bronze
- #PN Polished Nickel

OPTIONAL ACCESSORIES

- THP3158#\$\$ – 4" Cover Plate
- THP3159#\$\$ – 8" Cover Plate

PRODUCT SPECIFICATION

Product shall have a maximum flow rate of 1.2 gpm (4.5 lpm). Product shall have a brass construction. Product shall have a lever handle. Product shall have a ceramic disk valve cartridges. Product shall include metal pop-up drain assembly. Product shall be TOTO Model TLG02304U#_____.



CODES/STANDARDS

- Meets or exceeds ASME A112.18.1/CSA B125.1, NSF 61-9, NSF 372
- Certifications: IAPMO(cUPC), EPA WaterSense, State of Massachusetts and others
- Code Compliance: UPC, IPC, NSPC, CEC, DoE, NPC Canada, and others
- California Green Building Code, City of Los Angeles Water Efficiency Ordinance
- Complies with federal and state requirements as lead-free (weighted average of 0.25% lead or less)
- ADA compliant
- Complies with CA Prop 65 warning requirements



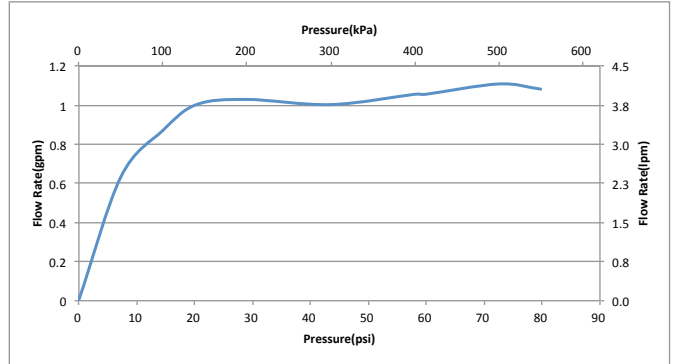
TLG02304U

GR Single-Handle Faucet – Semi-Vessel

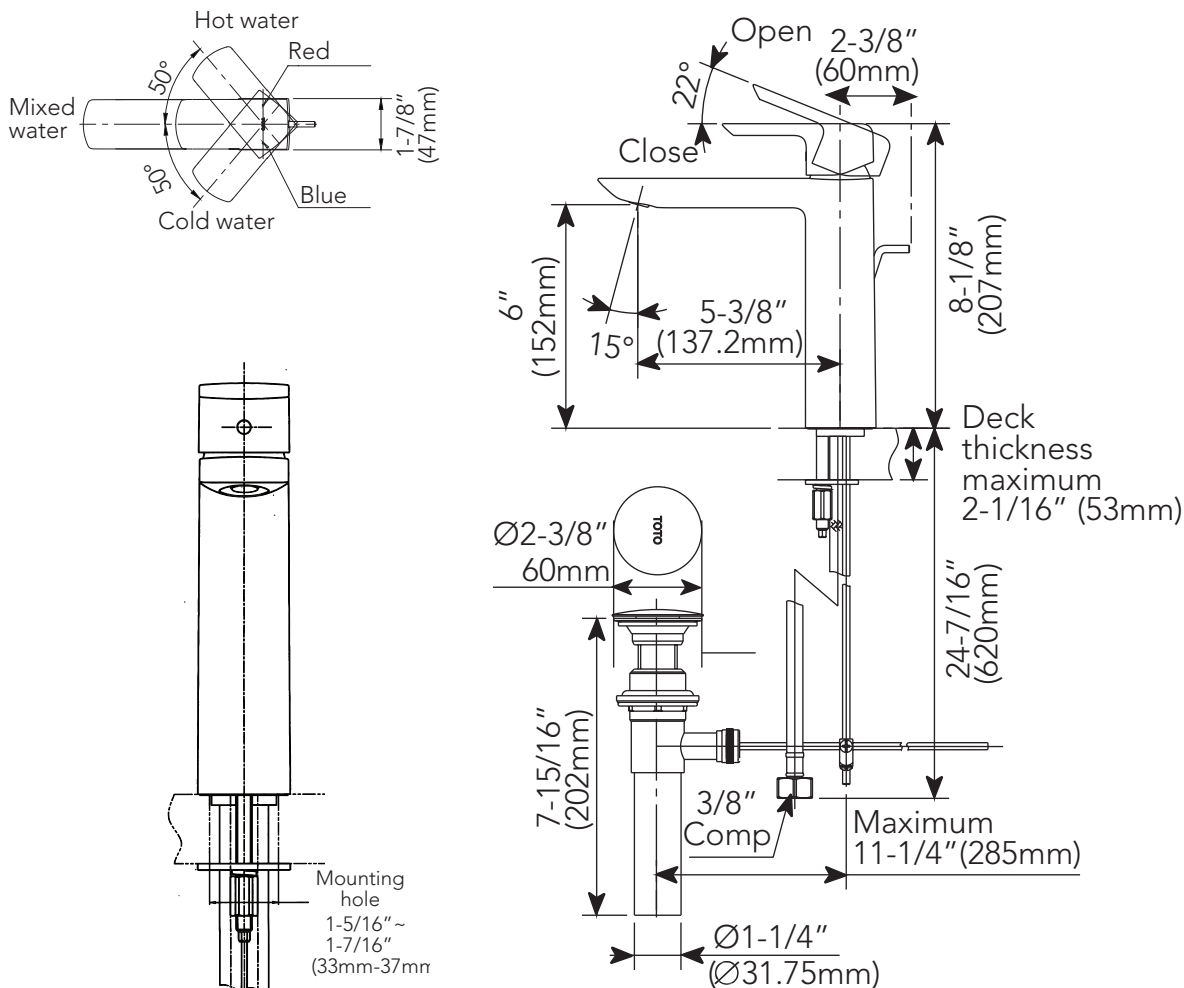
SPECIFICATIONS

Material	Brass
Maximum Flow Rate	1.2 gpm (4.5 lpm)
Warranty	Lifetime Limited Warranty (Residential Use) One Year (Commercial Use)
Shipping Dimensions	23-3/4 x 11" x 3-1/2"
Shipping Weight	7.6 lbs

INSTALLATION NOTES



DIMENSIONS



TOTO

These dimensions and specifications are subject to change without notice