

Maris™ Undercounter Lavatory

FEATURES

- 17-5/8" x 14-9/16" Undercounter lavatory
- CEFIONTECT® ceramic glaze minimizes waste from sticking to porous ceramic surfaces
- ADA compliant (with overflow to the rear)
- Mounting assembly complete with installation template and mounting screw set for wood countertops
- THU410 is required for marble/granite type counter top installation and must be purchased separately



MODELS

- LT483G - with CEFIONTECT (#01, #03, #11, #12)
- LT483 - without CEFIONTECT (#51)



PRODUCT SPECIFICATION

The undercounter lavatory shall be made of vitreous china. Lavatory shall be 17-5/8" in length and 14-9/16" in width. Product shall be with overflow and lavatory shall include mounting assembly. Lavatory shall be TOTO Model LT483_____.

COLORS/FINISHES

- #01 Cotton
- #03 Bone
- #11 Colonial White
- #12 Sedona Beige
- #51 Ebony

CODES/STANDARDS

- Meets and exceeds ASME A112.19.2/CSA B45.1
- Certifications: IAPMO(cUPC), State of Massachusetts, City of Los Angeles, and others
- Meets ADA guidelines and ANSI A117.1 requirements when countertop is installed 864mm (34") from finished floor and lavatory is installed 51mm (2") minimum from front edge.
- Complies with CA Prop 65 warning requirements



LT483(G)

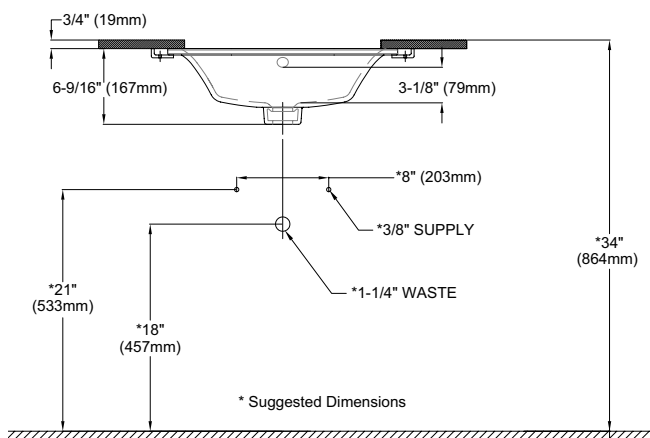
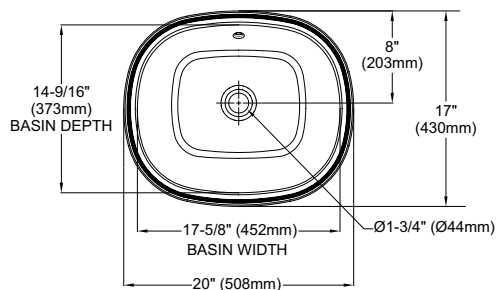
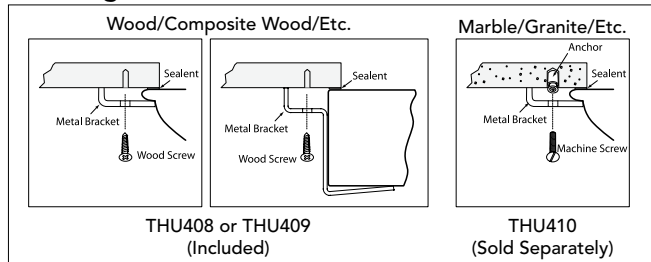
Maris™ Undercounter Lavatory

SPECIFICATIONS

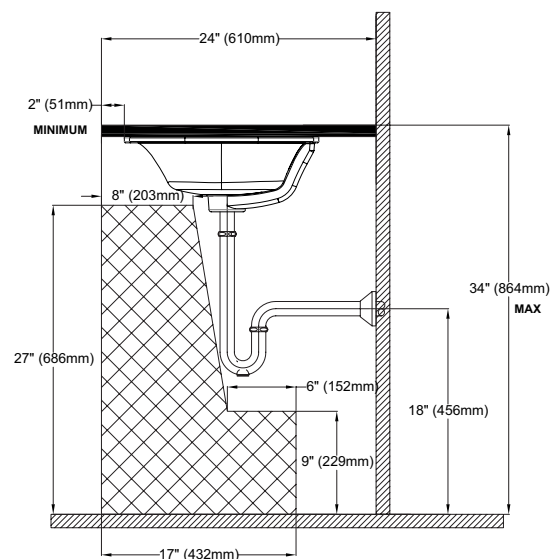
- Waste 1-1/4" O.D.
- Size 20"W x 17"D
- Basin 17-5/8"W x 14-9/16"D
- Warranty One Year Limited Warranty
- Material Vitreous china
- Shipping Weight 19.3 lbs.
- Shipping Dimensions 22-1/4"W X 18-3/4"D X 9-3/4"H

INSTALLATION NOTES

Mounting Hardware



ADA Compliance Check
Note: Overflow must be at rear



These dimensions and specifications are subject to change without notice