

Connelly® WASHLET®+ C2 Two-Piece Toilet - 1.28 & 0.9 GPF

FEATURES

- Concealed supply connection for seamless installation
- 3D TORNADO FLUSH® system, high-efficiency dual-flush 1.28 & 0.9 GPF (4.8 & 3.4 LPF)
- CEFIONTECT® ceramic glaze prevents debris and mold from sticking to ceramic surfaces
- UNIVERSAL HEIGHT
- Chrome plated trip lever
- Elongated front bowl and WASHLET+ C2 and tank set
- On-demand wand cleaning with EWATER+®
- PREMIST® of bowl before each use
- Convenient arm control panel

MODELS & COMPONENTS

- MW4943074CEMFG (#01)
With CEFIONTECT ceramic glaze, WASHLET+ C2
 - CT494CEFGT40
Elongated toilet with CEFIONTECT
 - ST494M
Tank and cover
 - SW3074T40
WASHLET® C2 with classic design
 - 9AU321-A
WASHLET adapter

Optional Components

- THU416(#01, #PN, #BN)
Trip Lever - Cotton, Polished Nickel, Brushed Nickel

COLORS/FINISHES

- #01 Cotton



TORNADO FLUSH



UNIVERSAL HEIGHT



CEFIONTECT



EWATER+

PRODUCT SPECIFICATION

The two-piece high-efficiency TORNADO FLUSH system toilet shall be dual-flush 1.28 & 0.9 GPF (4.8 & 3.4 LPF). Toilet shall have CEFIONTECT ceramic glaze and be at UNIVERSAL HEIGHT. Toilet shall have elongated front bowl with Polished Chrome trip lever. Toilet shall be TOTO Model MW4943074CEMFG#01

See SW3074T40 Specification Sheet for details on included WASHLET.

CODES/STANDARDS

- Meets or exceeds ASME A112.19.2/CSA B45.1
- Certifications: IAPMO(cUPC), EPA Watersense, State of Massachusetts, City of Los Angeles, and others
- Code compliance: UPC, IPC, NSPC, NPC Canada, and others
- Legislative Compliance: California AB715, California Green Building Code, City of Los Angeles Water Efficiency Ordinance
- ADA compliant (when installed with trip lever located on the approach side)
- Complies with CA Prop 65 warning requirements



MW4943074CEMFG

Connelly® WASHLET®+ C2 Two-Piece Toilet - 1.28 & 0.9 GPF

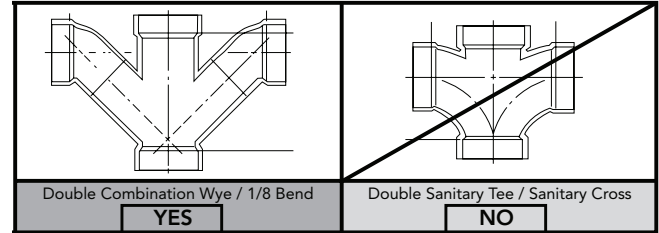
SPECIFICATIONS

Water Use	1.28 & 0.9 GPF (4.8 & 3.4 LPF)
Flush System	3D TORNADO FLUSH®
Min. Water Pressure	8 psi (Flowing)
Water Surface	5-5/8" x 4-1/8"
Trap Diameter	2-1/8"
Trap Seal	2-1/8"
Warranty	One Year Limited Warranty
Material	Vitreous China
Shipping Weight	CT494CEFGT40 70 lbs ST494MA 31 lbs
Shipping Dimensions	CT494CEFGT40 30-3/4" L x 17-3/8" W x 20-1/2" H ST494MA 17-1/4" L x 7-7/8" W x 17-1/2" H

INSTALLATION NOTES

Back-to-Back Toilet Installations:

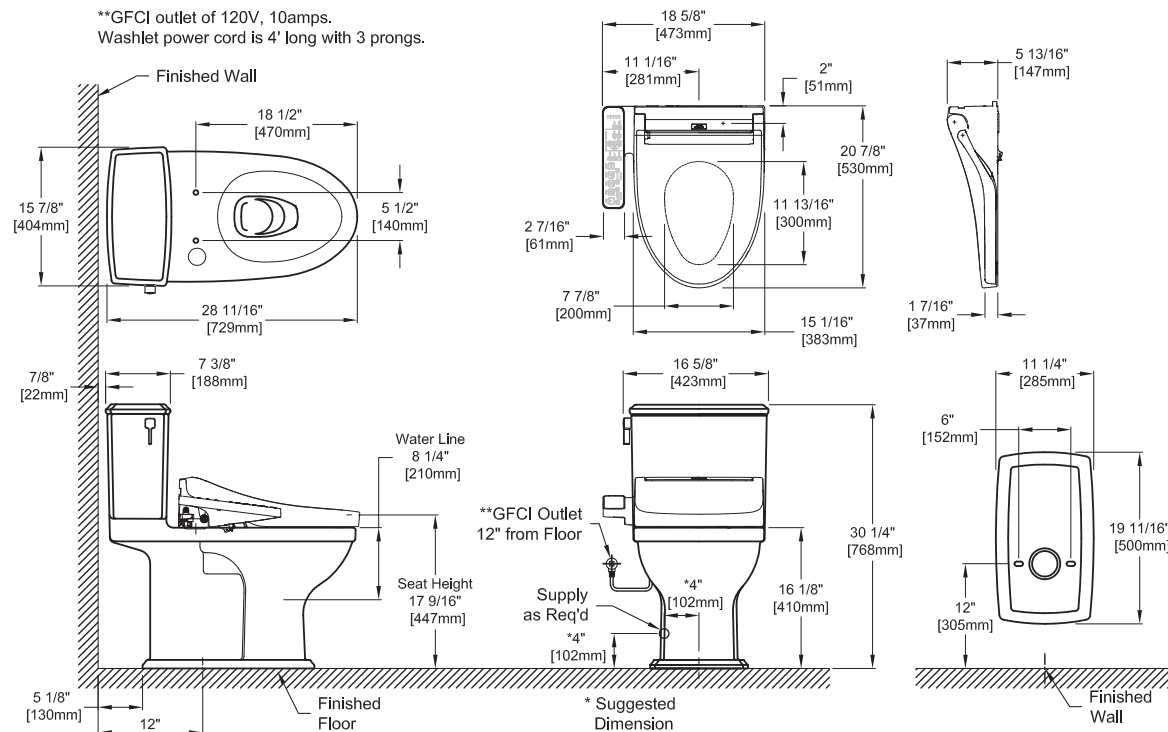
TOTO recommends the use of a nationally listed, double sanitary tee-wye only, in vertical waste stacks, in accordance with the stipulations noted in the majority of nationally recognized plumbing codes.



To maintain adequate wall gap between the back of the tank and wall, mount the floor flange at a nominal 12" rough-in distance.

See SW3074T40 Specification Sheet for details on included WASHLET.

DIMENSIONS



TOTO®

These dimensions and specifications are subject to change without notice