

GF Tub Spout

FEATURES

- Laminar flow
- Solid brass construction
- 1/2" NPT Connection

COLORS/FINISHES

- #CP Polished Chrome
- #BN Brushed Nickel

Made to order

- #PN Polished Nickel
- #PFG Polished French Gold
- #PBR Polished Bronze
- #MBL Matte Black



PRODUCT SPECIFICATION

The tub spout shall have a laminar flow. Product shall have a solid brass construction. Product shall have 1/2" NPT connection. Product shall be TOTO Model TBG11001U#___.

CODES/STANDARDS

- Meets or exceeds ASME A112.18.1/CSA B125.1
- Certifications: IAPMO(cUPC), State of Massachusetts, and others
- Code Compliance: UPC, IPC, NSPC, NPC Canada, and others
- Complies with CA Prop 65 warning requirements

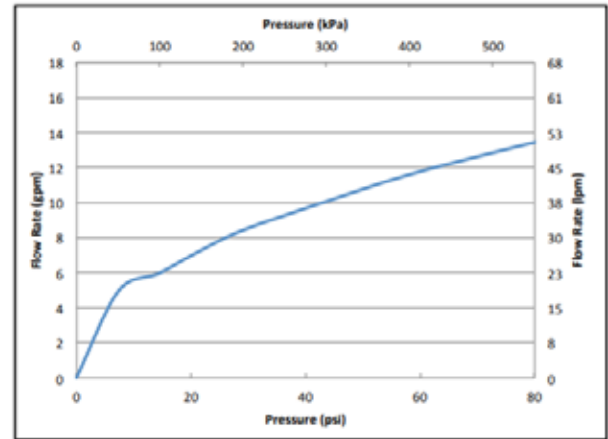


TBG11001U

GF Tub Spout

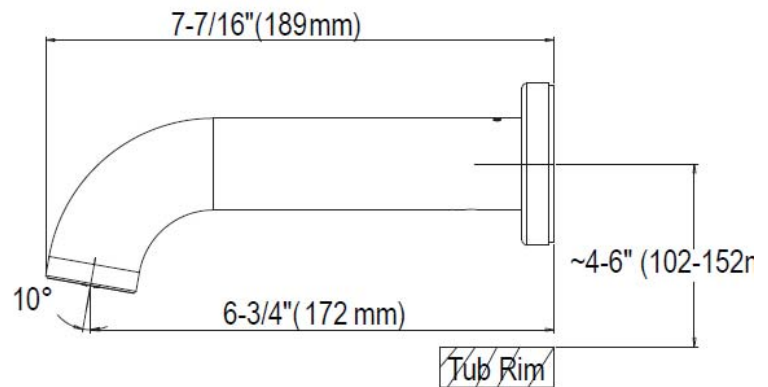
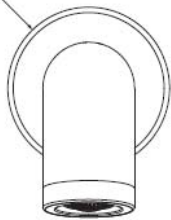
SPECIFICATIONS

Material	Brass
Warranty	Lifetime Limited Warranty (Residential Use) One Year (Commercial Use)
Shipping Dimensions	10-1/2" L x 4-3/16" W x 3-15/16" H
Shipping Weight	1.9lb



DIMENSIONS

Ø2-3/8" (Ø60mm)



TOTO®

These dimensions and specifications are subject to change without notice