



ROCKWOOD
Locking Pull System

ROCKWOOD®

ASSA ABLOY

Experience a safer
and more open world

LOCKING PULL SYSTEM



SIMPLE, DURABLE,
BEAUTIFUL DESIGN
FOR SWINGING AND
SLIDING DOORS

The Rockwood Locking Pull System integrates a contemporary Post Mount or GeoMetek style door pull with deadbolt or flat latch locking. Engineered for smooth operation, the locking pull is manufactured to ensure strength and durability with clean appealing lines.



Unsurpassed
Craftsmanship

FEATURES

- Key operated from outside; turn piece on inside
- Cylinder options: Rim Cylinder, Small format interchangeable core housing: 7-pin (SFIC) less core and key (Standard), Small format interchangeable core housing with plastic construction core: 7-pin (SFIC), Customer Supplied Cylinder, Dummy Cylinder, or Privacy Function: keyless locking function
- Door types: $\frac{3}{8}$ " - $\frac{7}{8}$ " thick glass, $1\frac{3}{8}$ " - $2\frac{1}{2}$ " thick aluminum, hollow metal or wood doors
- Multiple locking options: floor, head or both
- Standard bolt latch
 - Bolt location: 2" from face of door to centerline of bolt
 - Bolt has $\frac{13}{16}$ " travel with fine adjustment
- Patent pending flat latch option
 - Flat latch location: $2\frac{1}{8}$ " from face of door to centerline of latch
- Horizontal push/pull bar option
- Designed to Suite with Rockwood architectural door pulls and accessories
- Dummy versions available

BENEFITS

- Cylinder and thumbturn location eliminates physical strain when locking and unlocking
- Glass door applications secure the opening and allow for more natural light
- Flat security latch option provides additional engagement with strike
- Simple door preparation allows for faster installation
- Suites with popular Rockwood door pulls, CORBIN RUSSWIN and SARGENT lever handles, McKinney hinges, creating a continuum of design
- Offers flexibility in custom sizes for a variety of applications





POSTMOUNT

LP3301 Series

PostMount - This basic post mounted pull is a clean and simple design. The simplicity adds contemporary beauty to standard entrance doors.



LP3401 Series

GripZone - This beautiful bright and brushed two-tone finish provides a "wear" area for gripping the pull. This minimizes the appearance of small scratches caused by rings and keys.



LP6061 Series

English Bridle Leather Wrapped - Authentic J & E Sedgwick & Co. Ltd. bridle leather imported from Walsall, England is hand sewn by a talented craftsman. Typically used for saddles and equestrian products, this smooth durable leather is suitable for both interior and exterior applications.



LP6161 Series

Upholstery Leather Wrapped - Supple yet durable leather makes a discriminating statement. Paired with the PostMount Locking Pull, this glove soft leather will add a level of sophistication to your interior.



GEOMETEK

LP7901 Series

GeoMetek - This series offers a streamlined profile and crisp lines. The square pull complements the shape of the opening creating symmetrically balanced design.



LP6440 Series

Upholstery Leather Wrapped - Beautifully crafted, the GeoMetek and Upholstery Leather combination produces an elegant composition. The leather is tightly wrapped and neatly sewn on the back and is offered in a plethora of custom colors.



The Locking Pull System was designed to suite with Rockwood Architectural door pulls, and accessories. In addition, complementary hardware is available through Corbin Russwin, Pemko products, McKinney products, and SARGENT.



McKinney two knuckle hinge with flat tips



Leather wrapped lever from Corbin Russwin and Sargent



Rockwood coat hook (left) and door stop (right)



Rockwood leather cabinet pull



Rockwood leather door pull



McKinney square barrel hinge



Square lever and rose from Corbin Russwin and Sargent



Rockwood coat hook (left) and door stop (right)



Square lever with return and rose from Corbin Russwin and Sargent



Rockwood door pull



the good design studio

The Good Design Studio – your resource for beautiful doors, frames and hardware from ASSA ABLOY Group brands.

Visit www.thegooddesignstudio.com to learn more.

MODEL OPTIONS

LP3301, LP3305, LP3401, LP6061, LP6161, LP7901, LP6440

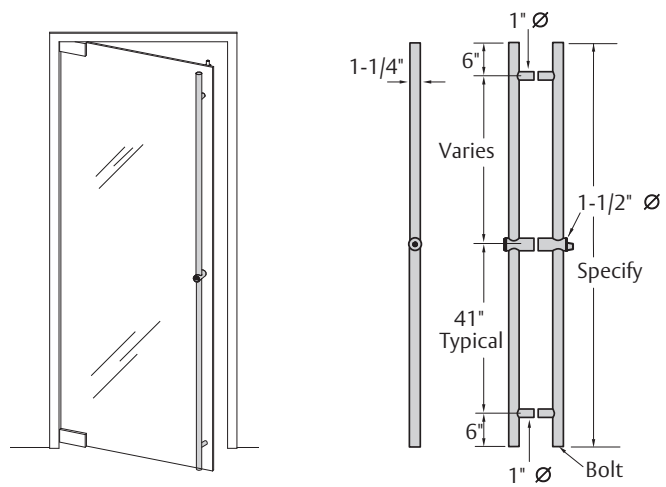


Full Height Pull - Single and Dual Bolt Models

FHD (Full Height Down) - Bolts Down

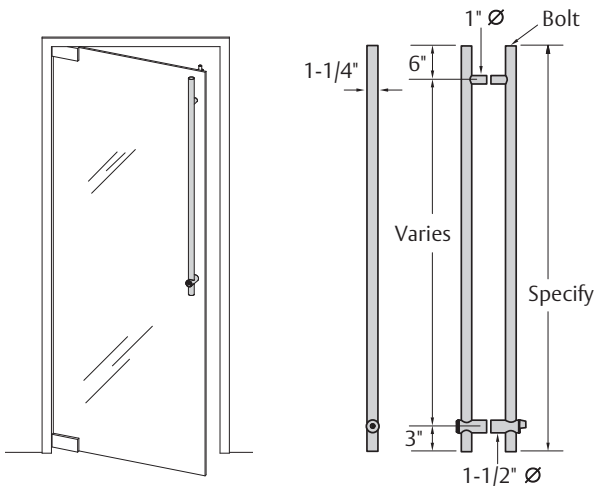
FHU (Full Height Up) - Bolts Up

FHB (Full Height Both) - Bolts Up and Down



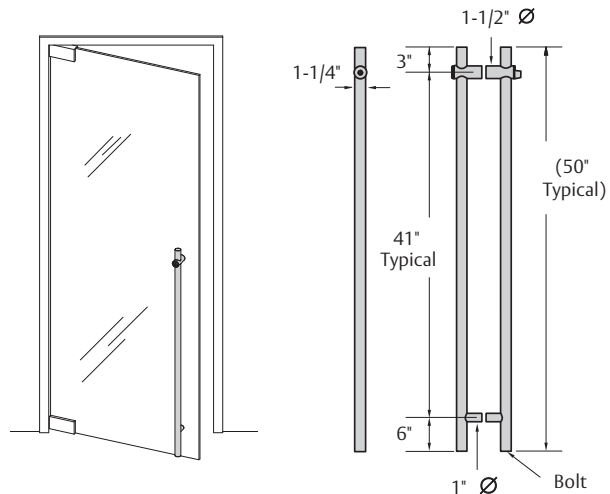
Half Height Pull - Bolts Up

DBU (Dead Bolt Up)



Half Height Pull - Bolts Down

DBD (Dead Bolt Down)



Notes:

1. Pulls are available in various sizes to fit job conditions. For ADA requirements, cylinder must be located 34" to 48" above finished floor.
2. Minimum clearance from pull to finished floor is 3/8" at factory settings.

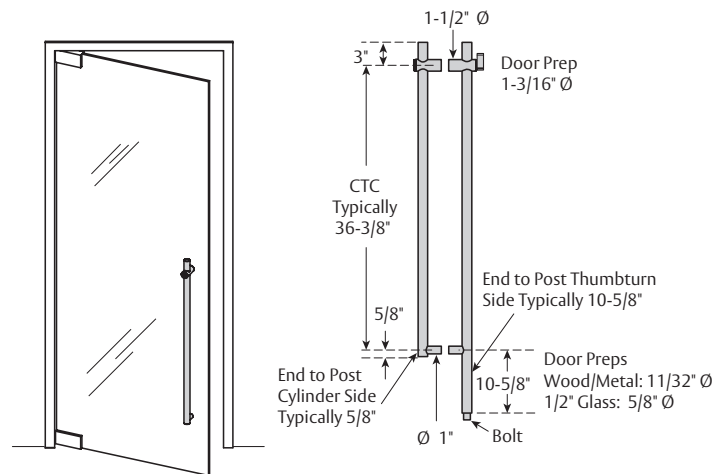
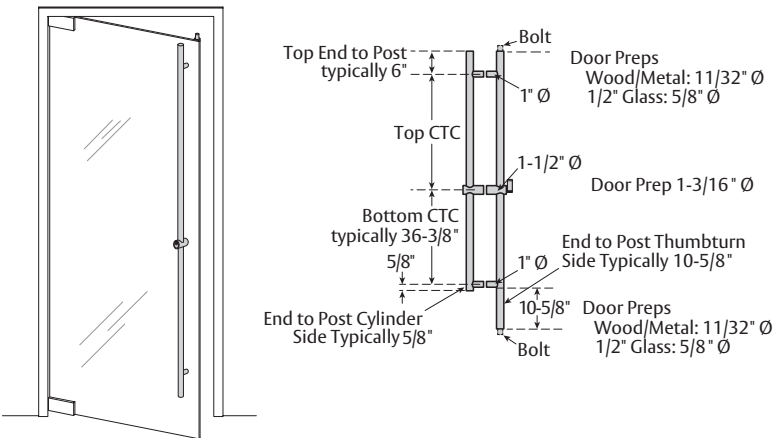


Clearance and Full Height Pull - Single and Dual Bolt Models

- FHD (Full Height Down) - Bolts Down
- FHU (Full Height Up) - Bolts Up
- FHB (Full Height Both) - Bolts Up and Down

Clearance and Half Height Pull - Bolts Down

- DBD (Dead Bolt Down)

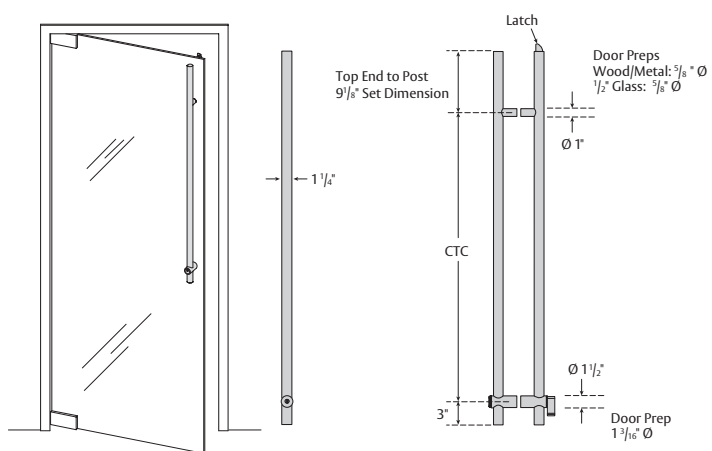


MODEL OPTIONS

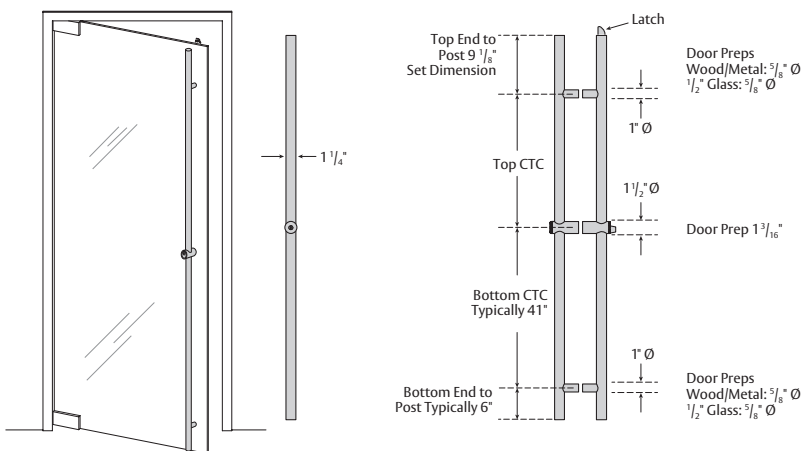
FL3301



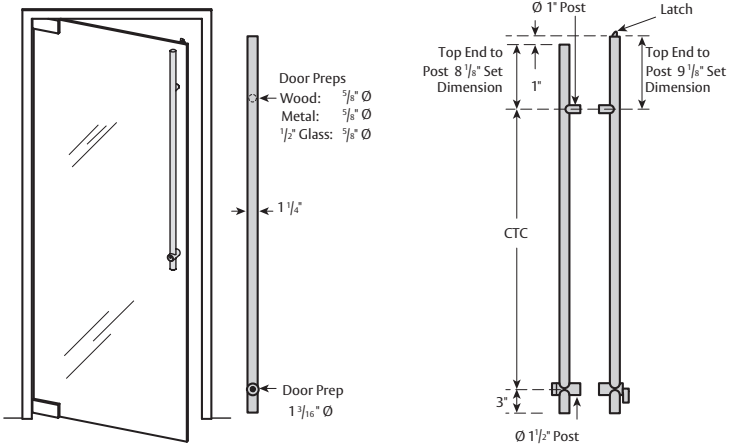
Flat Latch Locking Pull Half Height Pull - Latch Up DBU (Dead Bolt Up)



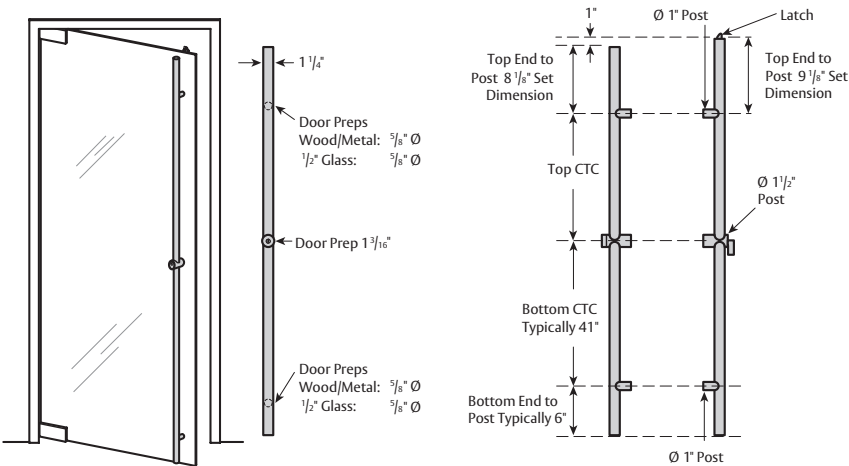
Flat Latch Locking Pull Full Height Pull - Latch Up FHU (Full Height Up) - Bolts Up



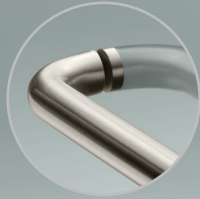
Flat Latch Locking Pull
 Half Height Pull - Latch Up
 DBU (Dead Bolt Up)



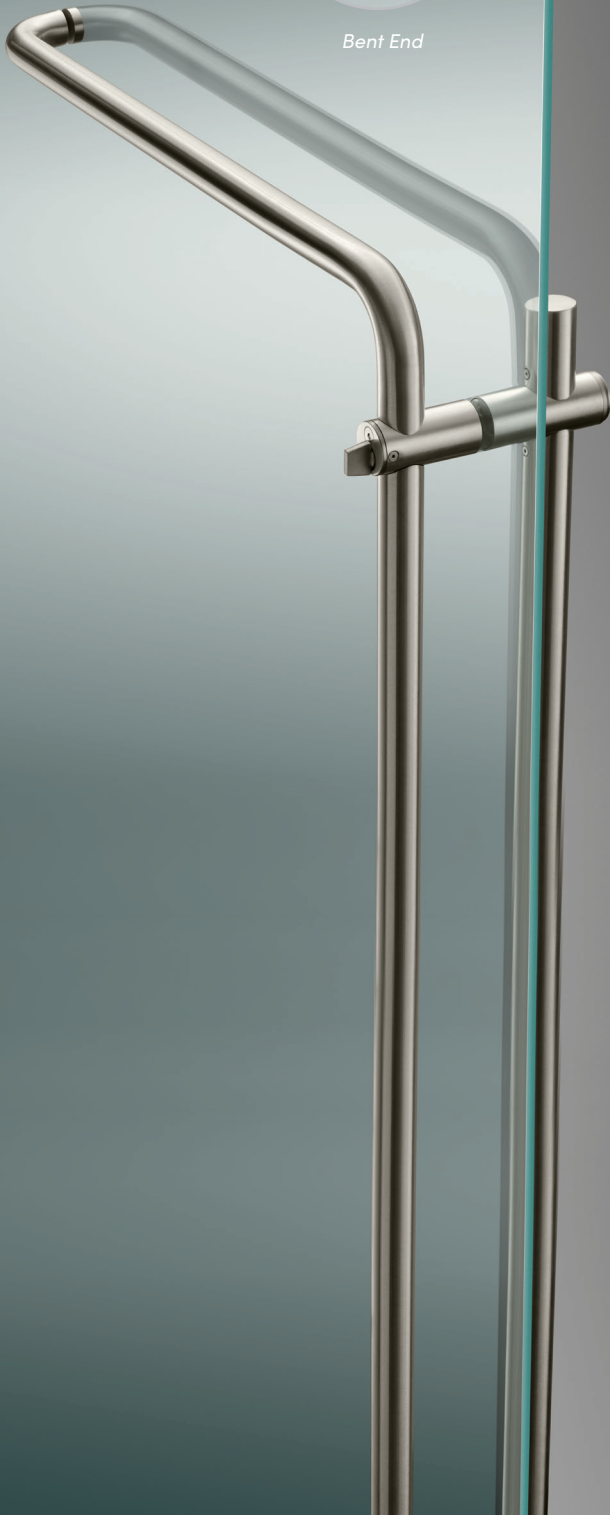
Flat Latch Locking Pull Full
 Height Pull - Latch Up
 FHU (Full Height Up) - Bolts Up



HORIZONTAL PUSH/PULL BAR



Bent End



Features

- Horizontal push/pull bar option for locking pull system
- PostMount or bent end design offered
- Available for half height DBD and DBU, and full height FHU models only*
 - Bar options - single sided (thumbturn or cylinder side only) and double sided (bar on both sides)
- Offered on glass, aluminum, hollow metal or wood doors

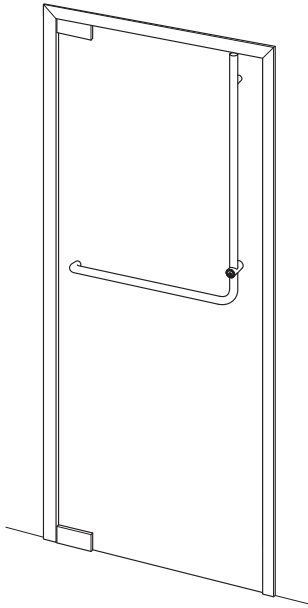
Benefits

- Keeps glass clean and free of hand prints
- Provides greater push/pull area while maintaining clean aesthetic
- Contemporary design that suites with popular Rockwood door pulls and architectural panic devices

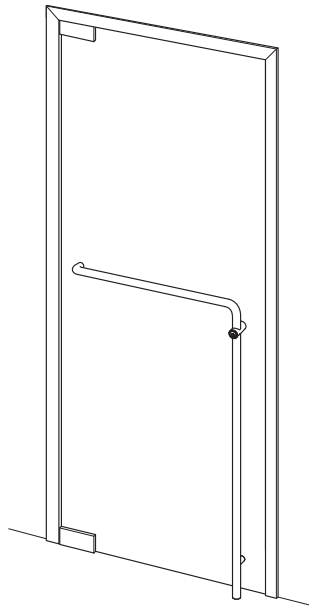
**Not offered on GeoMetek square style locking pull (LP7901 and LP6440)*

HORIZONTAL PUSH/PULL BAR

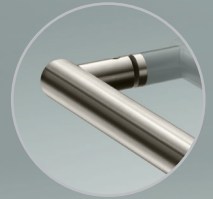
Single Sided (Thumbturn or Cylinder)



DBU (Dead Bolt Up)
FHU (Full Height Up)



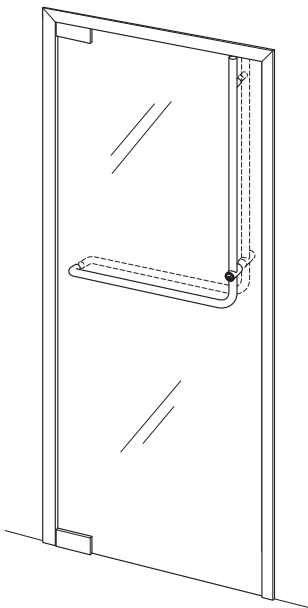
DBD (Dead Bolt Down)



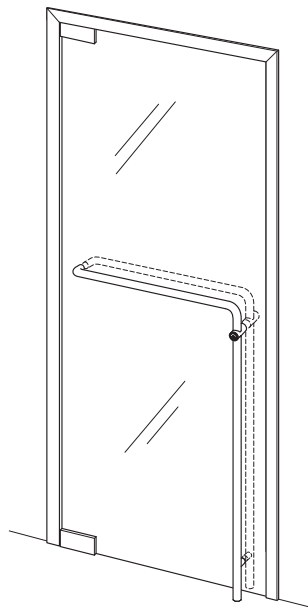
Post Mount



Double Sided



DBU (Dead Bolt Up)

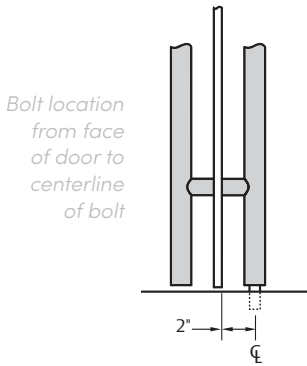


DBD (Dead Bolt Down)

APPLICATION DETAILS

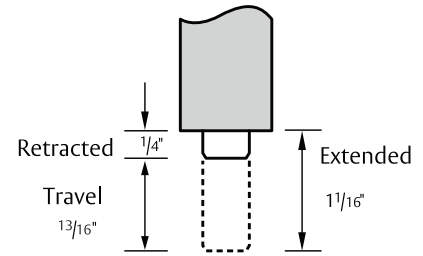
Glass doors
 LP3301, LP3305, LP3401, LP6061, LP6161, LP7901, LP6440

Location from Door



All glass door applications include a bushing and washer to insulate the glass from the pull. Sturdy fasteners securely attach the pull to the door making for a durable, trouble free installation. Simple glass prep requires two (or three) round holes.

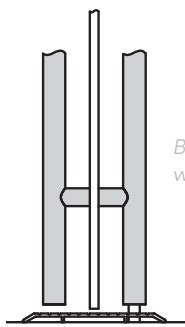
Bolt Adjustment



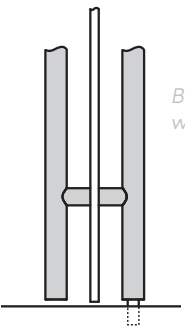
Adjusts 1/4" in and out from the shown factory settings.

Bolt into Floor Models - Detail at Floor

- DBD - Half Height Pull - Bolts Down
- FHD - Full Height Pull - Bolts Down
- FHB - Full Height Pull - Bolts Up and Down



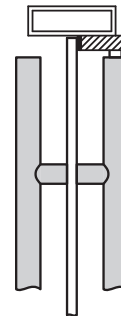
Bottom Detail with Threshold



Bottom Detail without Threshold

Bolt into Head Models - Detail at Head

- DBU - Half Height Pull - Bolts Up
- FHU - Full Height Pull - Bolts Up
- FHB - Full Height Pull - Bolts Up and Down

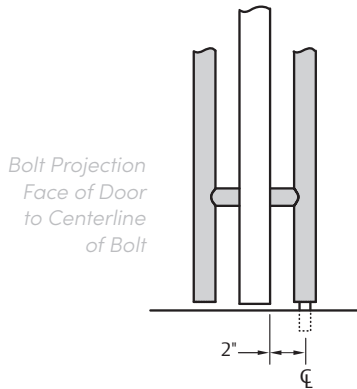


Head Detail with Surface Strike
 Typical configuration shown

APPLICATION DETAILS

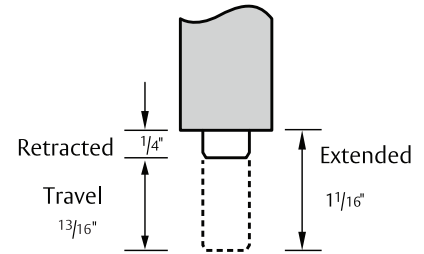
Aluminum, wood and hollow metal doors
 LP3301, LP3305, LP3401, LP6061, LP6161, LP7901, LP6440

Location from Door



Locking pulls are available for
 $1\frac{3}{8}$ " to $2\frac{1}{2}$ " thick aluminum, wood
 or hollow metal doors.

Bolt Adjustment



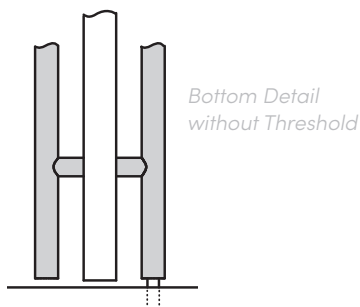
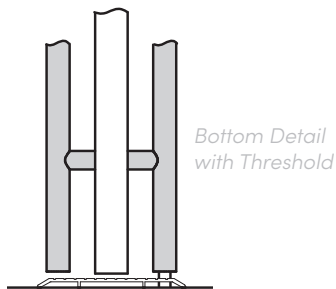
Adjusts $\frac{1}{4}$ " in and out from the
 shown factory settings.

Bolt into Floor Models - Detail at Floor

DBD - Half Height Pull - Bolts Down

FHD - Full Height Pull - Bolts Down

FHB - Full Height Pull - Bolts Up and Down

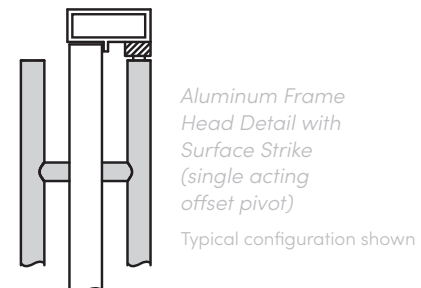
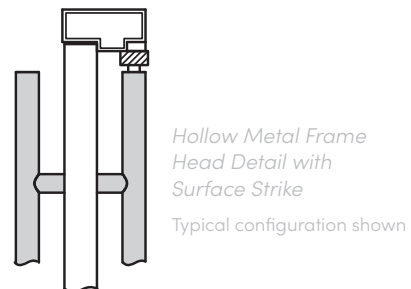


Bolt into Head Models - Detail at Head

DBU - Half Height Pull - Bolts Up

FHU - Full Height Pull - Bolts Up

FHB - Full Height Pull - Bolts Up and Down



APPLICATION DETAILS

Aluminum, wood and hollow metal doors
LP3301, LP3305, LP3401, LP6061, LP6161, LP7901, LP6440



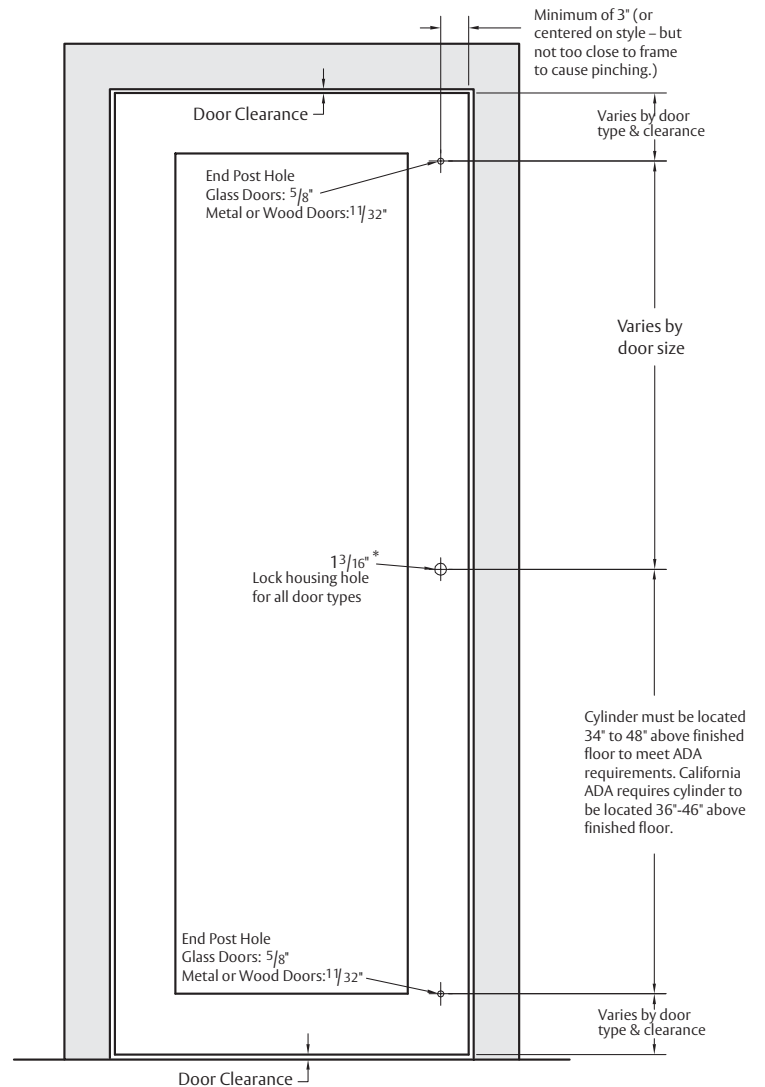
Holes Sizes Required

Glass Door

- End Posts: $\frac{5}{8}$ " \varnothing
for $\frac{1}{2}$ " glass thickness
- Lock Housing: $1\frac{3}{16}$ " \varnothing

Aluminum, Wood, Hollow Metal Doors:

- End Posts: $\frac{11}{32}$ " \varnothing
- Lock Housing: $1\frac{3}{16}$ " \varnothing



Notes:

1. Only drill the holes required for the model you are installing.
2. Only full height locking pulls require all three holes.

Holes Sizes Required

Glass Door

- End Posts: $\frac{5}{8}$ " \varnothing for $\frac{1}{2}$ " glass thickness
- Lock Housing: $1\frac{3}{16}$ " \varnothing

Aluminum, Wood, Hollow Metal Doors:

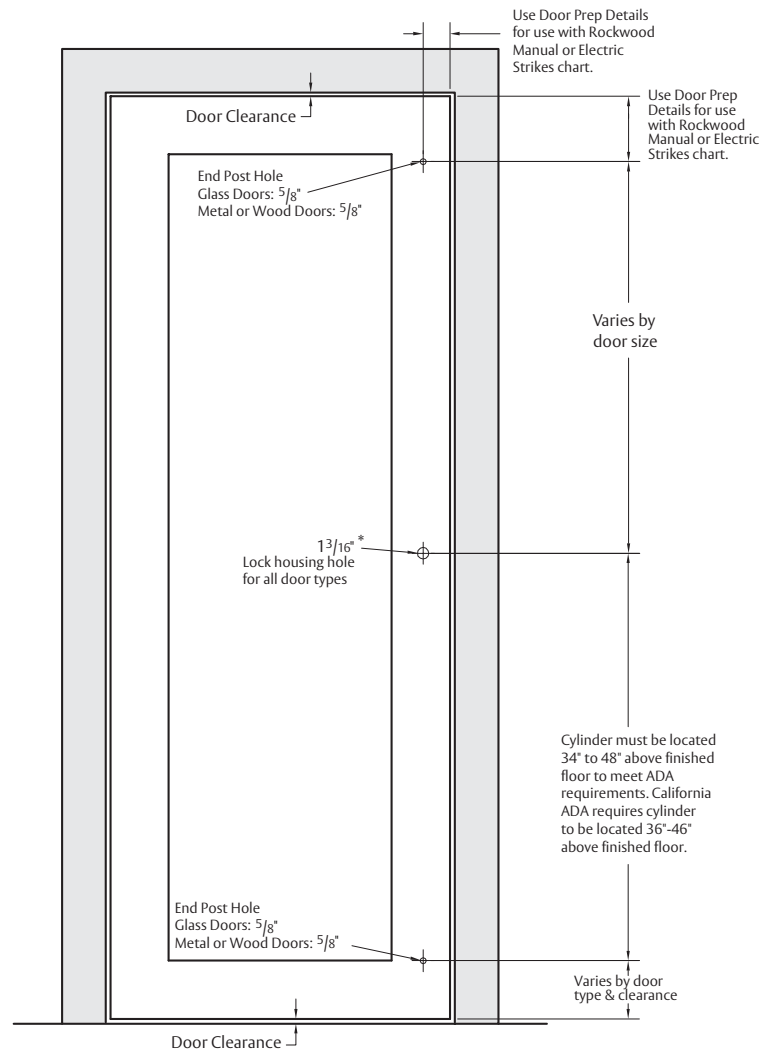
- End Posts: $\frac{5}{8}$ " \varnothing
- Lock Housing: $1\frac{3}{16}$ " \varnothing

Hollow Metal Frame Requirements:

Stop Height: $\frac{5}{8}$ ". This will shift the top of the device down on the door when compared to an aluminum frame.

Stop Width: Minimum of 3" wide.

Reinforcement: Minimum 12 gauge closer reinforcement along the stop width in the area that the strike will be attached.



Prep Suggestions

Door Prep Details for use with Rockwood Manual or Electric Strikes

Door Type	Back Set					
	Top Down to First Hole	Back Set	Wide Stile	Medium Stile	Single Door	Double Door
Glass	9 $\frac{7}{8}$ "	4 $\frac{1}{8}$ "				
Storefront (removable/no stop)	9 $\frac{7}{8}$ "		4 $\frac{1}{8}$ "	2 $\frac{1}{4}$ "		
Wood/Hollow Metal (removable/no stop)	9 $\frac{7}{8}$ "				5 $\frac{1}{8}$ "	4 $\frac{1}{8}$ "
Wood/Hollow Metal ($\frac{5}{8}$ " Stop)	10 $\frac{1}{2}$ "				5 $\frac{1}{8}$ "	4 $\frac{1}{8}$ "

Assuming 1/8" Top Door Gap. Not available on Narrow Stile Doors, Medium Stile Doors that are Single LHR with Electric Strike, Glass Door with 10" Top Rail, or Inswing Doors. For best product alignment, the door should be prepped at the door manufacture.

APPLICATION DETAILS

Installation reference
INSFL3301

Holes Sizes Required

Glass Door

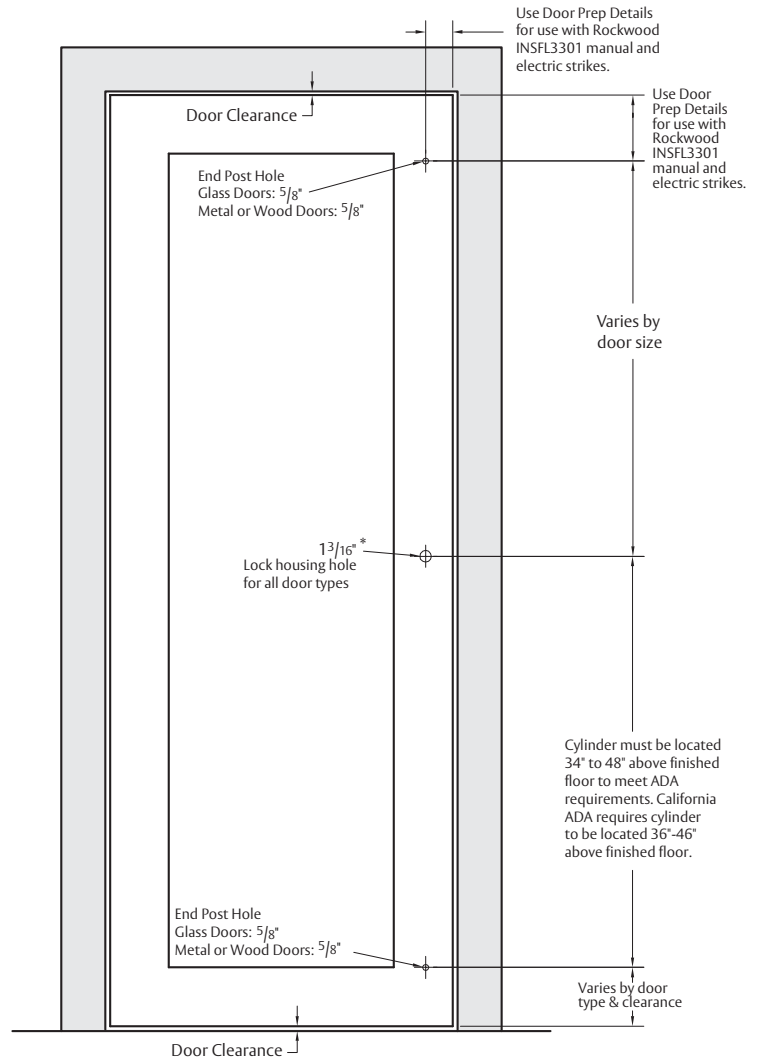
- End Posts: $\frac{5}{8}$ " \varnothing for $\frac{1}{2}$ " glass thickness
- Lock Housing: $1\frac{3}{16}$ " \varnothing

Aluminum, Wood, Hollow Metal Doors:

- End Posts: $\frac{5}{8}$ " \varnothing
- Lock Housing: $1\frac{3}{16}$ " \varnothing

Hollow Metal Frame Requirements:

Reinforcement: Minimum 12 gauge closer reinforcement along the stop width in the area that the strike will be attached.



Prep Suggestions

Door Prep Details for use with Rockwood Manual or Electric Strikes

		Back Set					
		Top of Door to Centerline of Top Hole Prep	Back Set	Wide Stile	Medium Stile	Single Door	Double Door
Door Type	Glass	$9\frac{1}{8}$ "	$4\frac{1}{8}$ "				
	Storefront (removable/no stop)	$9\frac{1}{8}$ "		$4\frac{1}{8}$ "	$2\frac{1}{4}$ "		
	Wood/Hollow Metal (removable/no stop)	$9\frac{1}{8}$ "				$5\frac{1}{8}$ "	$4\frac{1}{8}$ "

Assuming $\frac{1}{8}$ " Top Door Gap. Not available on Narrow Stile Doors, Glass Door with 10" Top Rail, or Outswing Doors.

For best product alignment, the door should be prepped at the door manufacture. If stop height is greater than 1" please consult factory.

RECOMMENDED FOR LOW TRAFFIC INTERIOR APPLICATIONS

Strike options
 LP3301, LP3305, LP3401, LP6061, LP6161, LP7901, LP6440

Top Strike Options

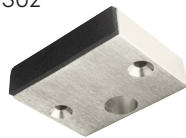
Custom Strikes Available

LPS01



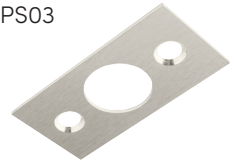
- $\frac{3}{4}$ " x $1\frac{1}{2}$ " x 3"

LPS02



- $\frac{3}{4}$ " x $2\frac{1}{2}$ " x 3"
- Rubber Stop

LPS03



- $\frac{1}{20}$ " x $1\frac{1}{8}$ " x $2\frac{1}{4}$ "

LPS04



- $1\frac{1}{4}$ " dia. x $4\frac{1}{2}$ " h

LPS05



- $1\frac{1}{4}$ " sq. x $4\frac{1}{2}$ " h

LPS06



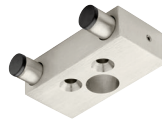
- 2" dia

LPS07



- $2\frac{1}{2}$ "

LPS12



- $\frac{3}{4}$ " x 3"
- Adjustable stops accommodating varying thicknesses and door types

Bottom Strike Option

570



Dust Proof Strike

Face Plate: $1\frac{3}{8}$ " x $2\frac{7}{8}$ "

APPLICATION DETAILS

FL3301

Top Strike Options



Single Manual (MSK-SGL)
Storefront, Metal, Wood, and Glass
Backset: 2-1/4" or 4-1/8"



Double Manual (MSK-DBL)
Storefront, Metal, Wood, and Glass
Backset: 4-1/8"



Double Manual (MSK-MS-DBL)
Storefront Backset: 2-1/4"



Single Electric (ESK-SGL)
Storefront, Metal, Wood, and Glass
Backset: 4-1/8"



Single Electric - Medium Stile
(ESK-MS-SGL) Storefront
Backset: 2-1/4"



Double Electric (ESK-DBL)
Storefront, Metal, Wood, and Glass
Backset: 4-1/8"



Double Electric - Medium Stile
(ESK-MS-DBL) Storefront
Backset: 2-1/4"



Single Electric (ESK-1600-SGL)
Storefront, Metal, Wood, and Glass



Double Electric (ESK-1600-DBL)
Storefront, Metal, Wood, and Glass



Top Strike Options



Single Electric (INSFL-1600)
Storefront, Metal, Wood, Glass



Single Manual (INSFL-MSK)
Storefront, Metal, Wood, Glass

APPLICATION DETAILS

LP3301, LP3305, LP3401, LP6061, LP6161, LP7901, LP6440

Series*	Description
LP3301	Plain PostMount
LP3305**	Plain PostMount Clearance
LP3401	PostMount GripZone
LP6061	PostMount English Bridle Leather Wrapped
LP6161	PostMount Upholstery Leather Wrapped
LP7901	Plain GeoMetek
LP6440	GeoMetek Upholstery Leather Wrapped

* Specify "DP" in front of series number for dummy locking pull. Example: DP3301
 **LP3305 is not available with DBU.

Push Bar Suffix*	Description
BEPT	Bent End Horizontal Bar - Thumbturn Side
BEPC	Bent End Horizontal Bar - Cylinder Side
BEPB	Bent End Horizontal Bar - Both Sides
PMPT	Post Mount Horizontal Bar - Thumbturn Side
PMPC	Post Mount Horizontal Bar - Cylinder Side
PMPB	Post Mount Horizontal Bar - Both Sides

* Available on DBD, DBU, and FHU models only.
 Not offered with LP7901 or LP6440. Order form must be filled out.

Suffix	Description
DBD	Half Height, Bolts Down
DBU	Half Height, Bolts Up
FHD	Full Height, Bolts, Down
FHU	Full Height, Bolts Up
FHB	Full Height, Bolts Up and Down

Cylinder Options	Code
Rim Cylinder	01
Small format interchangeable core housing, 7-pin (SFIC) Standard	02
Small format interchangeable core housing, with plastic construction core, 7-pin (SFIC)	03
Supplied cylinder	05
Dummy cylinder	07
7 Pin SFIC Housing with ASSA ABLOY ACCENTRA™ (formerly Yale Commercial) Core	09

Options	Code*
Large Thumbturn	ADA
Thumbturn Only, No Cylinder	TT
Custom Engraving	CE

*Specify code after suffix



For a quick and efficient ordering process, use the order forms on rockwoodmfg.com (Resource Library > Order Forms > Rockwood Products).

Order form must be filled out and submitted to: orders.rockwood@assaabloy.com

ORDERING INFORMATION

LP3301, LP3305, LP3401, LP6061, LP6161, LP7901, LP6440

PostMount Finishes:

Polished Brass	605	(US3)
Satin Brass	606	(US4)
Satin Oxidized Clear Coated	614	(US10BL)
Dark Satin Bronze Equivalent	613E	(US10BE)
Polished Stainless Steel	629	(US32)
Satin Stainless Steel	630	(US32D)
Satin Stainless Steel with MicroShield®	-	(US32DMS)
Polished Stainless Steel with MicroShield®	-	(US32MS)
Black Suede Powder Coat	BSP	
White Suede Powder Coat	WSP	
Stock Powder Coats		

GeoMetek Finishes:

Dark Satin Bronze Equivalent	613E	(US10BE)
Polished Stainless Steel	629	(US32)
Satin Stainless Steel	630	(US32D)
Satin Stainless Steel with MicroShield®	-	(US32DMS)
Polished Stainless Steel with MicroShield®	-	(US32MS)
Black Suede Powder Coat	BSP	
White Suede Powder Coat	WSP	
Stock Powder Coats		

Leather Finish Standard Color Selections:

English Bridle Leather



B-LBRN
(Light Brown)



B-BUR
(Burgundy)



B-MBRN
(Medium Brown)



B-DBRN
(Dark Brown)



B-BLK
(Black)

Upholstery Leather



U-DBRN
(Dark Brown)



U-BLK
(Black)

Custom colors available

Accessories

(Ordered separately)

- LPS01 Top Strike
- LPS02 Top Strike
- LPS03 Top Strike
- LPS04 Transom Strike
- LPS05 Transom Strike
- LPS06 Mortised Header Strike
- LPS07 Top Strike
- LPS12 Top Strike
- 570 Dust Proof Bottom Strike
- RM850 Door Stop
- Custom Strikes for unique conditions
- ADA Thumbturn



570 Dust Proof
Bottom Strike



RM850 Door Stop

Thumbturns:



PostMount Thumbturn
(comes standard)



GeoMetek Thumbturn
(comes standard)



ADA Thumbturn
(PostMount only,
ordered as a suffix)



The Agion antimicrobial is not intended as a substitute for good hygiene. Coated products must still be cleaned to ensure the surfaces will be free of destructive microbes. ASSA ABLOY makes no representations or warranties, express or implied, as to the efficacy of the Agion antimicrobial. A copy of the Agion warranty is available upon request. Agion is a registered trademark of Agion Technologies, Inc., Wakefield, MA, USA

ORDERING INFORMATION

FL3301, INSFL3301

Series*	Description
FL3301	Plain PostMount with Flat Latch and Dogging (Outswing Only)
INSFL3301	Plain PostMount with Flat Latch and Dogging (Inswing Only)

Suffix	Description
DBU	Half Height, Bolts Up
FHU	Full Height, Bolts Up

Push Bar Suffix*	Description
BEPT*	Bent End Horizontal Bar – Thumbturn Side
BEPC	Bent End Horizontal Bar – Cylinder Side
BEPB	Bent End Horizontal Bar – Both Sides
PMPT	Post Mount Horizontal Bar – Thumbturn Side
PMPC	Post Mount Horizontal Bar – Cylinder Side
PMPB*	Post Mount Horizontal Bar – Both Sides

* FL3301FHU only 2 push bar options.

Finishes:

Polished Stainless Steel	629	(US32)
Satin Stainless Steel	630	(US32D)
Satin Stainless Steel with MicroShield®	-	(US32DMS)
Polished Stainless Steel with MicroShield®	-	(US32MS)
Dark Satin Bronze Equivalent		(US10BE)
Black Suede Powder Coat	BSP	
White Suede Powder Coat	WSP	
Stock Powder Coats		

Accessories

(Ordered separately)

- Single Manual (MSK-SGL) Storefront, Metal, Wood, and Glass
- Double Manual (MSK-DBL) Storefront, Metal, Wood, and Glass
- Double Manual (MSK-MS-DBL) Storefront
- Single Electric (ESK-SGL) Storefront, Metal, Wood, and Glass
- Single Electric - Medium Stile (ESK-MS-SGL) Storefront
- Double Electric (ESK-DBL) Storefront, Metal, Wood, and Glass
- Double Electric - Medium Stile (ESK-MS-DBL) Storefront
- Single Electric (ESK-1600-SGL) Storefront, Metal, Wood, and Glass
- Double Electric (ESK-1600-DBL) Storefront, Metal, Wood, and Glass
- Manual Strike (INSFL-MSK) Storefront, Metal, Wood, and Glass (INSFL3301 ONLY)
- Electric Strike (INSFL-1600) Storefront, Metal, Wood, and Glass (INSFL3301 ONLY)

Thumbturns



ADA Thumbturn is Standard

Dogging

Requires 5/32" hex key



Device Dogged



Device Undogged

For a quick and efficient ordering process, use the order forms on rockwoodmfg.com (Resource Library > Order Forms > Rockwood Products).

Order form must be filled out and submitted to: orders.rockwood@assaabloy.com

Contact your local ASSA ABLOY Door Security Solutions team for more information on our Locking Door Pull systems or other Rockwood products.



The ASSA ABLOY Group is the global leader in access solutions.
Every day, we help billions of people experience a more open world.

ASSA ABLOY Opening Solutions leads the development within door openings and products for access solutions in homes, businesses and institutions. Our offering includes doors, frames, door and window hardware, mechanical and smart locks, access control and service.

ROCKWOOD®

ASSA ABLOY

Rockwood Manufacturing Company
300 Main St.
Rockwood, PA 15557
www.rockwoodmfg.com
orders.rockwood@assaabloy.com
1 800 458 2424

ASSA ABLOY Opening Solutions
Door Security Solutions Canada
160 Four Valley Drive
Vaughan, ON L4K 4T9
www.assaabloydss.ca
1 800 461 3007