

1331 Series

Door Closers



Table of Contents

1331 Series Door Closers

General Information	3
Features, Benefits & Applications	4
Standard Applications	5
Parallel Applications	6
Top Jamb Applications	7
Heavy Duty Parallel Applications	8-9
Accessories	10-11
Architectural Specifications & ADA Compliance	12
How to Order & Packing	13

Any retrofit or other field modification to a fire rated opening can potentially impact the fire rating of the opening, and Sargent Manufacturing Company makes no representations or warranties concerning what such impact may be in any specific situation. When retrofitting any portion of an existing fire rated opening, or specifying and installing a new fire-rated opening, please consult with a code specialist or local code official (Authority Having Jurisdiction) to ensure compliance with all applicable codes and ratings.

Copyright © 2004-2022, SARGENT Manufacturing Company. All rights reserved. Reproduction in whole or in part without the express written permission of SARGENT Manufacturing Company is prohibited. Patent pending and/or patent www.assaabloydss.com/patents.

On The Cover

- 1331 JO X EN

General Information

1331 Series Door Closers

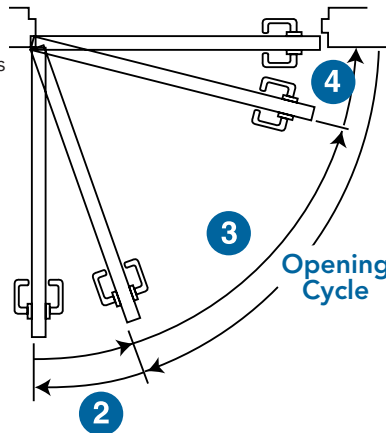
1 Closer Spring Adjustment (not shown)

- Effects the entire cycle of the door closer movement
- Used to size closer for application requirements
- Determines the amount of force with which the door closes and the amount of force required to open the door
- Adjustable to compensate for door size and draft conditions

2 Backcheck valve

- At approximately 70° of the open cycle, the backcheck valve begins to slow the door's motion
- Prevents the door from slamming into the door's stop
- Valve is used to control the intensity of the backcheck
- **Note:** A positive stop is required, backcheck cannot be used as a stop

Door Closer Cycle

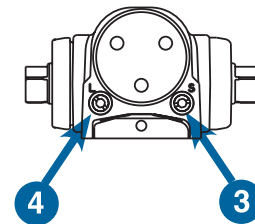
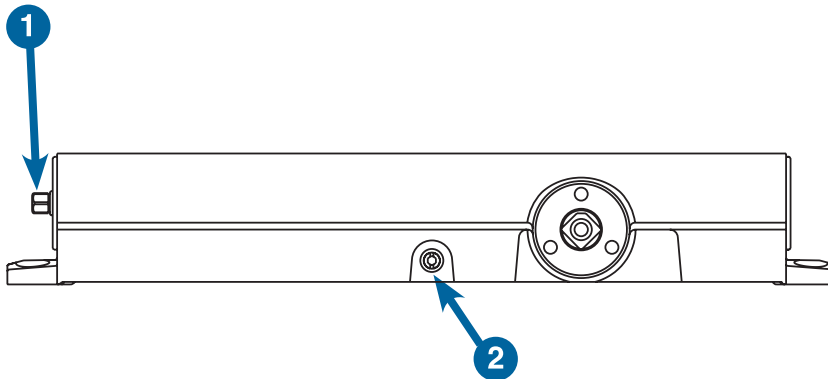


3 Closing speed valve

- Controls how fast the door closes to approximately 8" from the closed position

4 Latching speed valve

- Controls the speed of the door during the final 8" of door swing
- The force the door closes with is controlled by the closer spring
- **Note:** This adjustment is critical for door latching



How to Select the Proper Closer

Things to Consider

1. Size and Weight of Door

The 1331 Door Closer is non-sized so that closing force can be adjusted in the field to accommodate various door sizes and weights.

2. Interior Application

The standard application is the most efficient in terms of power and control.

3. Exterior Application

The top jamb, parallel arm application should be used. Exterior doors require greater closing forces because of draft conditions. Always place the closers out of the weather.

4. Degree of Opening

Proper arm and position on the door is most important to permit the door to open far enough to allow adequate traffic flow.

5. Function

Closers are available with hold-open or positive stop arms.

6. Special Condition

Consult factory when special hinges, overhead holders or other specialized hardware is used.

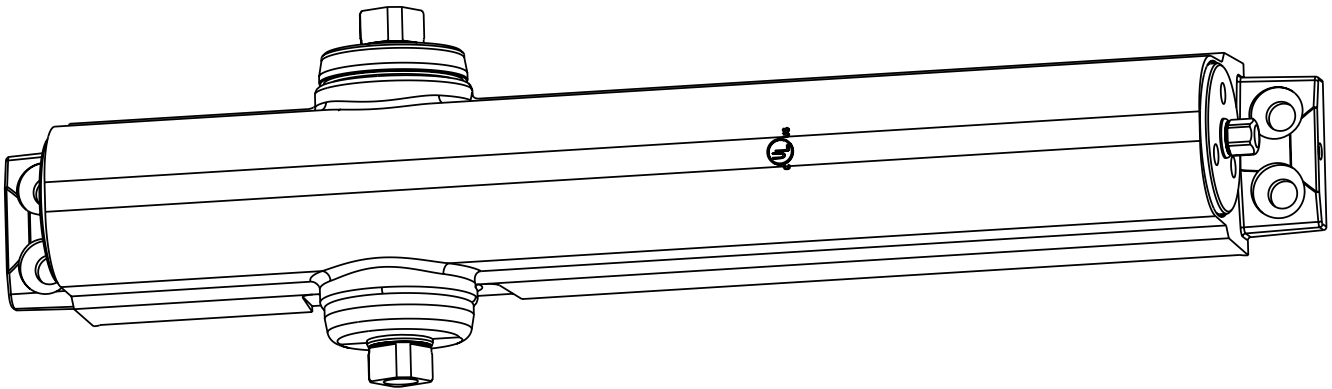
Features, Benefits & Applications

1331 Series Door Closers

SARGENT
ASSA ABLOY

The SARGENT 1331 Series door closer is a Grade 1 fully adjustable closer suitable for new construction and also ideal for renovations.

Available with a full range of arms and accessories, the 1331 Series door closer can be used for most common applications and is ideal for standard duty installations. Common applications include offices, assisted living facilities, hotel guest rooms, public housing and retail establishments.



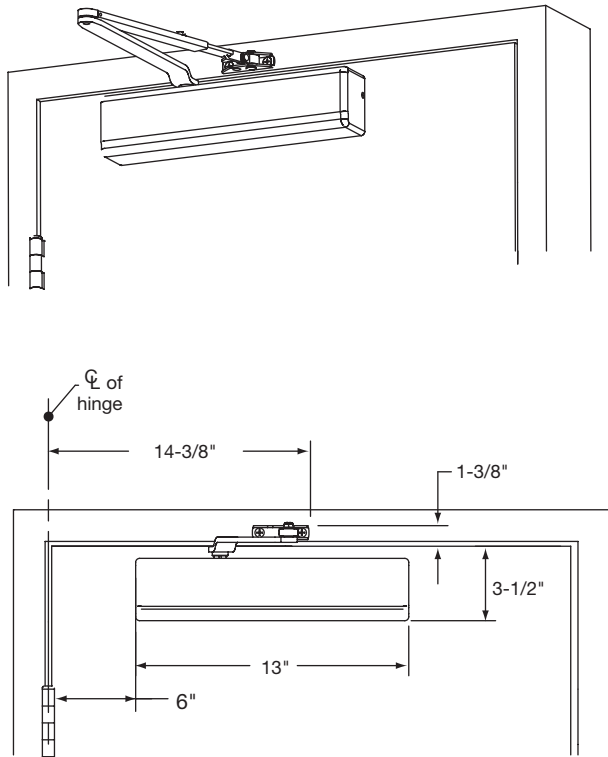
1331 shown without the standard cover

Copyright © 2004-2022, SARGENT Manufacturing Company. All rights reserved. Reproduction in whole or in part without the express written permission of SARGENT Manufacturing Company is prohibited. Patent pending and/or patent www.assaabloydss.com/patents.

<p>Strength, Durability and Security</p> <ul style="list-style-type: none"> • Meets and exceeds ANSI/BHMA A156.4 Grade 1 requirements • UL and UL 10C listed • Complies with ADA requirements and ANSI/BHMA A117.1 and exterior doors • Adjustable closing force range from size 1 - 6 • High impact full plastic cover secured by machine screws <ul style="list-style-type: none"> - Optional ABS Cover available (consult factory for details) • One-piece high strength aluminum alloy body • 1-1/4" diameter piston for enhanced control • 7/16" square arm engagement for enhanced torque transmission • Heat treated rack & pinion provides longevity • Speed Control Valves <ul style="list-style-type: none"> - Separate latching, closing/sweep and back check intensity valves - Captured valves are easily adjusted using a standard 1/8" Allen wrench • Arms and accessories are powder-coated • 30-year limited warranty, body is date coded 	<p>Convenience</p> <ul style="list-style-type: none"> • Non-handed closer • All weather hydraulic fluid • Easily installed in minutes! • Easy-to-use instructions • Mortise nuts available when door condition requires through bolting, specify TB-option • Tri Pack or "Universal Packed" - JUO or JUH (Hold Open). Packages include one extra bracket that gives the installer a choice for installation from Standard, Parallel or Top Jamb applications. <p>Flexibility</p> <ul style="list-style-type: none"> • Retrofits a Falcon/Dor-O-Matic SC 80 and Dorma 8600 • Both machine and self-tapping screws provided • Universal body is interchangeable for all applications (standard, top jamb & parallel) • Similar design style to complement the Heavy Duty Powerglide® Series • Allows door to open a full 180° (trim permitting) with standard arms. Maximum opening angle differs with optional arms and frame conditions. 	<p>Applications</p> <ul style="list-style-type: none"> • Office Buildings • Assisted Living Facilities • Hotel Guest Rooms • Public Housing • Retail Establishments
--	--	---

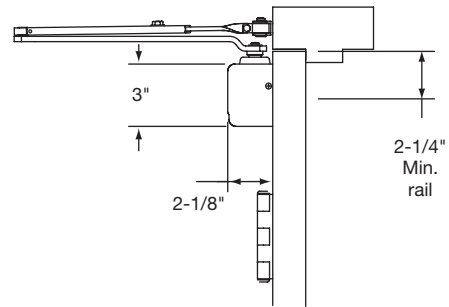
Standard Applications

1331 Series Door Closers

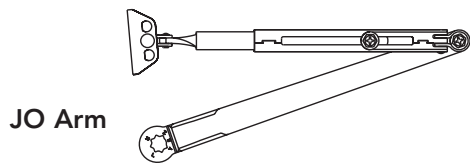


JO Standard Application Illustrated

The JO arm can be used on doors up to 48" wide and 250 lbs. An auxiliary door stop is required. The JH hold open arm is similar and allows for adjustable hold open from 75° to full opening.



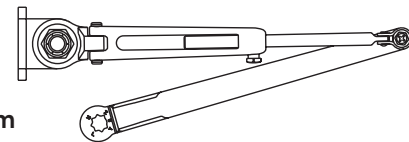
Closer shown templated for 120° max. opening



JO Arm

- Non-hold open

For arm only, order as 25-JO x finish



JH Arm

- Hold open
- Hand is changed by inverting the foot assembly
- Holds open from 75° to 180°

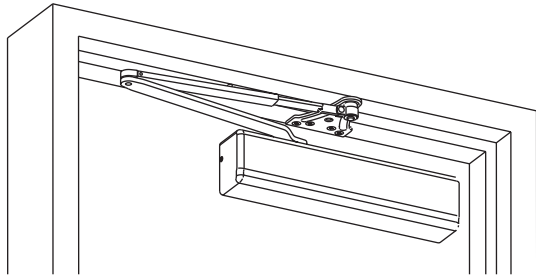
For arm only, order as 25-JH x finish

JO and JH arms are non-handed and will allow the door to open 180° (frame and trim permitting)

Parallel Application

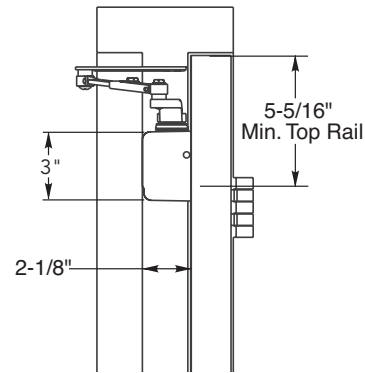
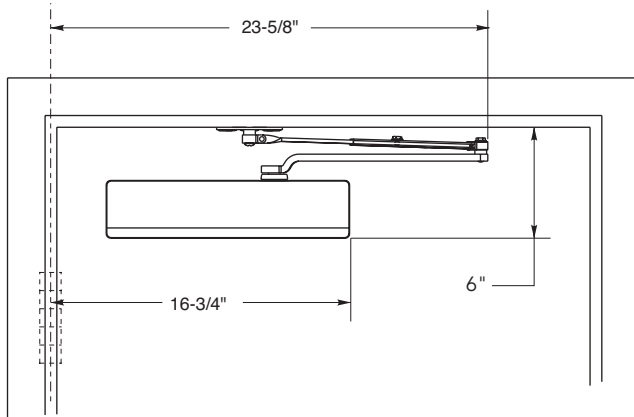
1331 Series Door Closers

SARGENT
ASSA ABLOY

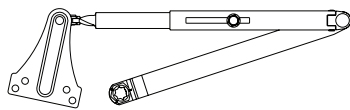


JP9 Parallel Arm Application Illustrated

The JP9 arm can be used on doors up to 48" wide and 250 lbs. An auxiliary door stop is required. The JPH9 hold open arm is similar and allows for adjustable hold open from 75° to full opening.



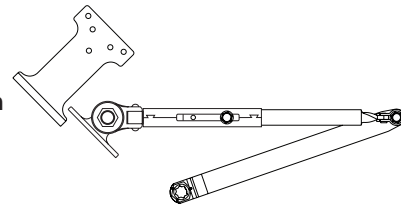
JP9 Arm



- Non-hold open

For arm only, order as 25-JP9 x finish

JPH9 Arm



- Hold open
- Hand is changed by inverting the foot assembly
- Holds open from 75° to 180°

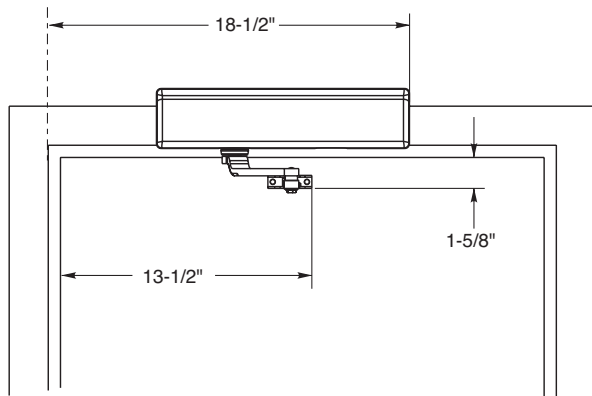
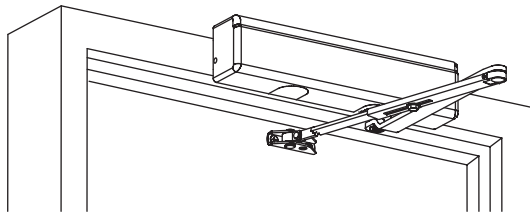
For arm only, order as 25-JPH9 x finish

JP9 and JPH9 arms are non-handed and will allow the door to open 180° (frame and trim permitting)

Copyright © 2004-2022, SARGENT Manufacturing Company. All rights reserved. Reproduction in whole or in part without the express written permission of SARGENT Manufacturing Company is prohibited. Patent pending and/or patent www.assaabloydss.com/patents.

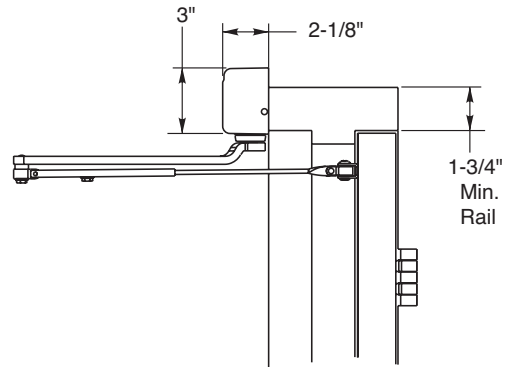
Top Jamb Applications

1331 Series Door Closers

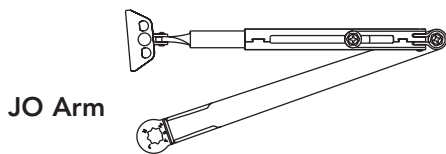


JO Top Jamb Application Illustrated

The JO arm can be used on doors up to 48" wide and 250 lbs with reveals less than 3". An auxiliary door stop is required. The JH hold open arm is similar and allows for adjustable hold open from 75° to full opening.



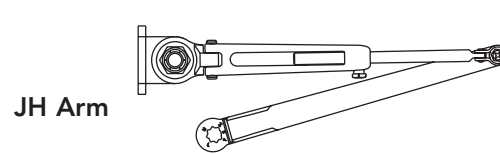
Closer shown templated for 120° max. opening



JO Arm

- Non-hold open

For arm only, order as 25-JO x finish

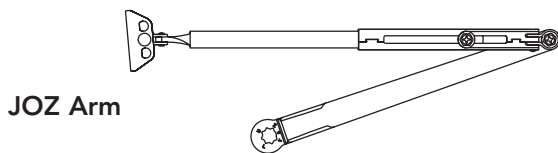


JH Arm

- Hold open
- Hand is changed by inverting the foot assembly
- Holds open from 75° to 180°

For arm only, order as 25-JH x finish

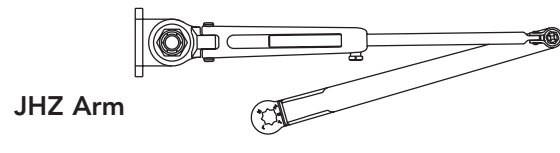
JO and JH arms are non-handed, can be used on applications with less than 2" reveals and will allow the door to open 180° (frame and trim permitting)



JOZ Arm

- Non-hold open

For arm only, order as 25-JOZ x finish



JHZ Arm

- Hold open
- Hand is changed by inverting the foot assembly

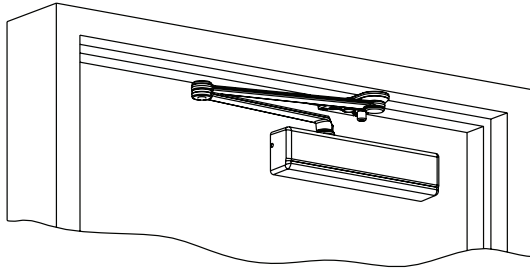
For arm only, order as 25-JHZ finish

JOZ and JHZ arms are non-handed, can be used on applications with reveals 2-3/4" – 6-3/4" and will allow the door to open 180° (frame and trim permitting)

Heavy Duty Parallel Applications

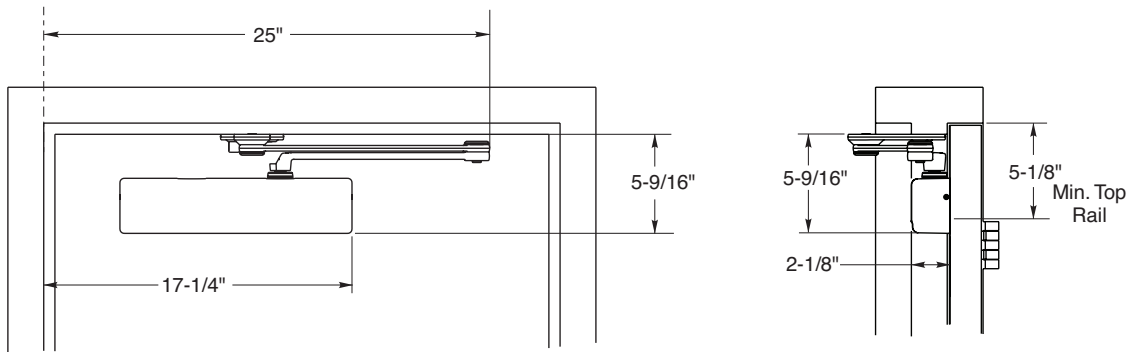
1331 Series Door Closers

SARGENT
ASSA ABLOY

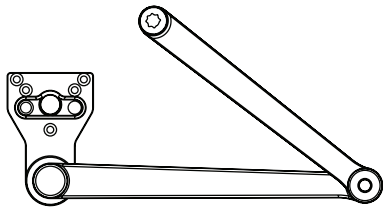


JPS Heavy Duty Parallel Application Illustrated

Heavy Duty arms can be used on doors up to 48" wide and 250 lbs. An auxiliary door stop is required for the JP10 and JPH10 arms. Heavy duty hold open arms are available.



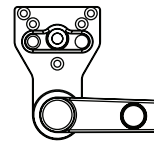
JPS Arm



- Arm includes stop
- Non-hold open
- Maximum door opening 110°

For arm only, order as 25-JPS x finish

JPSH Arm



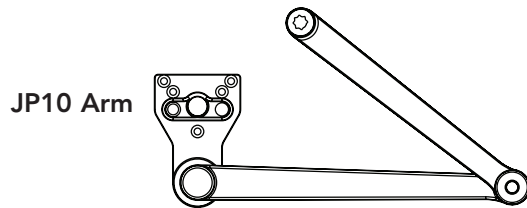
- Arm includes stop
- Hold open
- Maximum door opening 110°

For arm only, order as 25-JPSH x finish

Copyright © 2004-2022, SARGENT Manufacturing Company. All rights reserved. Reproduction in whole or in part without the express written permission of SARGENT Manufacturing Company is prohibited. Patent pending and/or patent www.assaabloydss.com/patents.

Heavy Duty Parallel Applications

1331 Series Door Closers

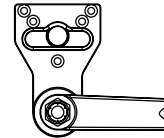


JP10 Arm

- Arm does not include stop
- Non-hold open
- Maximum door opening 180°

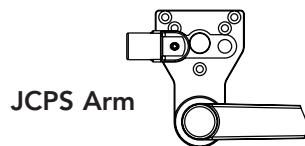
For arm only, order as 25-JP10 x finish

JPH10 Arm



- Arm is handed; specify LH or RH when ordering
- Arm does not include stop
- Hold open
- Maximum door opening 180°

For arm only, order as 25-JPH10 x hand x finish

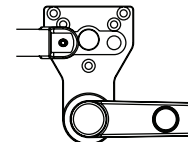


JCPS Arm

- Arm includes spring
- Non-hold open
- Maximum door opening 110°

For arm only, order as 25-JCPS x finish

JCPSH Arm



- Arm includes spring
- Hold open
- Maximum door opening 110°

For arm only, order as 25-JCPSH x finish

All heavy duty arms are non-handed and will allow the door to open 180° (frame and trim permitting)

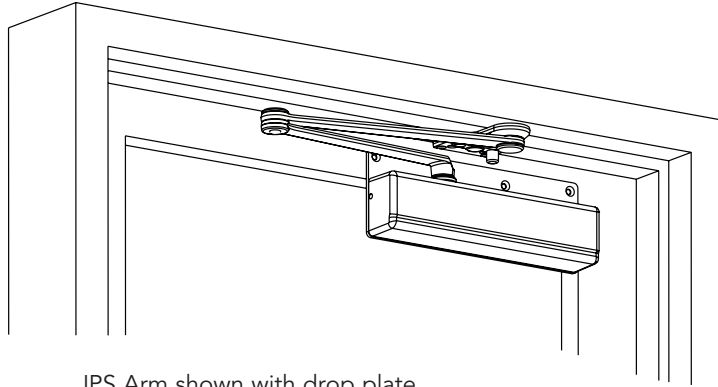
Accessories

1331 Series Door Closers

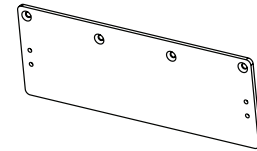
Accessories

1331D Drop Plate — parallel arm application for narrow top rails

The 1331D is required when top rails are less than 5-1/8". A minimum 3" top rail is required.



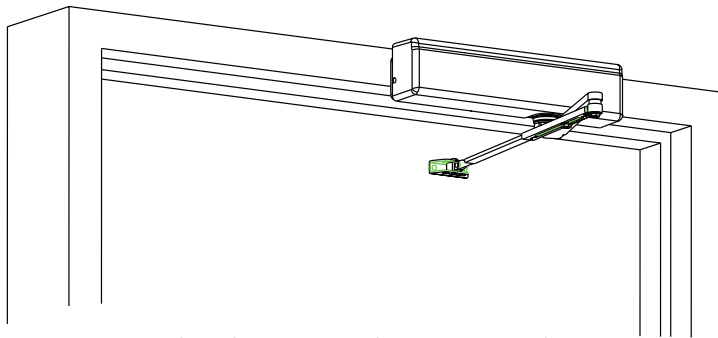
JPS Arm shown with drop plate



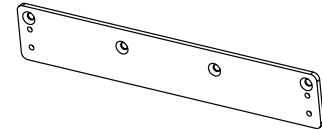
1331B Mounting Plate — used on narrow face frames or on applications that have a low ceiling clearance

Use the 1331B mounting plate if:

- Ceiling clearance is 2" or less or
- Narrow frame face is less than 1-1/2"



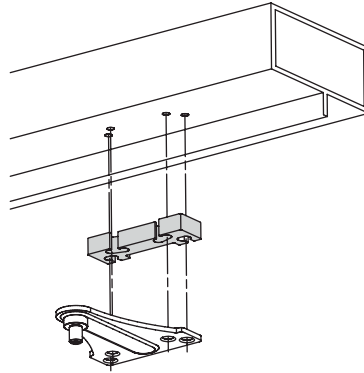
Top jamb with JO Arm with B mounting plate



Accessories

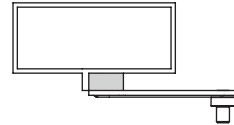
1331 Series Door Closers

581-1 Blade Stop Kit

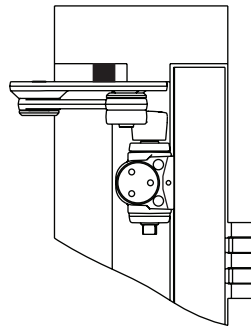


Kit includes longer fasteners and 1/2" thick metal spacer for use with 1/2" blade stops commonly found on store front aluminum frames.

Used with JP9 and JPH9 Arms.



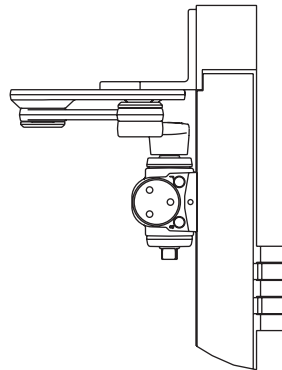
582-1 Spacer Block



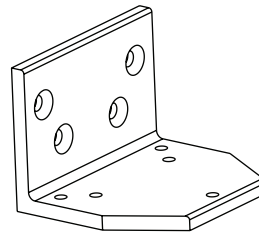
Use where a narrow frame soffit does not provide adequate support for the soffit plate.



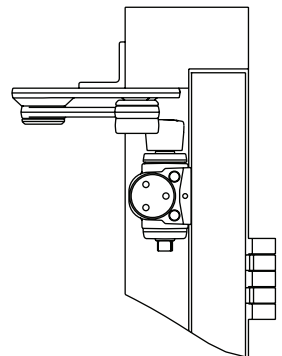
125JV Angle Bracket



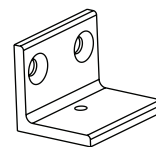
Used where flush transom conditions prevent mounting of standard soffit plate. Used with the standard soffit plate.



125JV Support Bracket



Used where the frame is narrow and the soffit plate cannot be mounted directly to the frame soffit or rabbet. Used on frames where the frame stop does not exceed 5/8" in height.



Specifications

2.0 DOOR CLOSERS

- A. Door closers shall be 1331 Series as manufactured by Sargent Manufacturing Company.
- B. Door closers shall meet ANSI/BHMA A156.4, Grade 1 requirements.
- C. Door closers shall be UL listed (US and Canada) for use on fire doors.
- D. Door closer shall meet the requirements of UL 10C positive pressure fire tests.
- E. Provide closers adjustable from sizes 1 through 6.
- F. Closers shall be non-handed to meet a variety of door conditions and design requirements.
- G. Closing speed, latching speed and backcheck shall be controlled by separate key operated, captivated valves.
- H. Closers shall have heat treated rack and pinion construction.
- I. An increase of 15 percent in closing power shall be provided by means of adjustment of the arm leverage at the foot connection. (Standard Arm mount)
- J. Closer main arms shall be heavy duty steel with powder coated finish.
- K. Door closer bodies:
 - 1. One piece door closer body shall be of high strength aluminum alloy.
 - 2. Adjustment valves shall be captivated and non-critical.
 - 3. Closer spindle shaft shall be sealed hydraulically with an "O" ring.
- L. Specify desired options such as: Metal Cover, Security Package, (SRI) Special Rust Inhibitor Process (ABC) Advanced Back Check, (TB) Through-bolting, (DA) Delayed Action and Architectural Plated Finishes.
- M. Projection of closer body from door shall not exceed 2-3/16" (56mm).
- N. Closer covers shall be constructed of high impact plastic material of flame retardant grade, secured by machine screws. Optional ABS covers available.
- O. Closer covers shall be of the same style/design of other closers specified for this project.
- P. Closers shall be suitable for standard, top jamb, and parallel arm type applications when provided with proper brackets and arms.
- Q. Door closers shall have a 30-year limited warranty.

ADA compliance

The 1331 Series is designed to meet the opening force requirements established by the Americans with Disabilities Act for 5 lbs. of opening force for interior doors. The spring power is fully adjustable.

CAUTION: Door Closers for Low Opening Force Applications:

Door closers installed in openings required to meet the requirements of the Americans With Disabilities Act or ANSI/BHMA Standard A117.1, when adjusted to meet those requirements, may not provide adequate closing power to dependably close and latch the door based on opening or site conditions.

How To Order & Packing

1331 Series Door Closers

Packing

All closer assemblies are packaged 4 per carton.

How To Order Complete Door Closer

Options	Series	Closer Arm	Finish
TB	1331	Standard	EB
SRI		Top Jamb	ED
		Parallel	EN
		Heavy Duty Parallel	EP
			EAB
			BSP
			WSP

Note: All arms are unique to the 1331 and are not interchangeable with other series

NOTE:

- Before installing a door closer, verify the accessibility, fire, and life-safety requirements that are in effect. This includes the mounting height and projection into the clear opening. Check the adopted state and local building codes and consult the Authority Having Jurisdiction (AHJ).
- To maintain the warranty and ensure proper operation of the product, follow the installation instructions & templates and install on the inside of the building.
- Consult NFPA 80 for the hinge requirements on a fire door.
- Failure to use fasteners supplied with closer may void factory warranty.
- Optional fasteners are available for a variety of applications. Consult the door and frame manufacturer to ensure the proper fasteners are used to maintain certifications.
- Sizing charts are based on 1-3/4" x 7' standard weight doors swinging to 110°. Other application conditions (e.g. larger door heights or weight) may require larger size closer. Adjusting the spring power to meet the low opening force requirements of the Americans With Disabilities Act or ANSI/BHMA Standard A117.1, may not provide adequate closing power to dependably close and latch the door in some conditions (i.e. air movement from wind gusts or building stack pressure).

How To Order Accessories

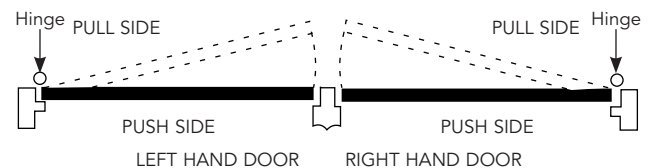
		Example
Arm Only (specify 25-)	Specify: 25- arm (JO, JH, JP9, JPH9, JOZ, JHZ, JPS, JPSH, JP10, JP10H, JCPS, JCPSH) x finish	25-JO x EN
Cover (standard) only (specify -C)	Specify: 1331-C x finish	1331-C x EP
Body only (specify CB-)	Specify: CB-1331	CB-1331
ABS Cover (optional) only (specify -CEC)	Specify: 1331-CEC x finish	1331-CEC x EB
Drop Plate – For Parallel Arm	Specify: 1331D x finish	1331D x EP
Mounting Plate (Top Jamb)	Specify: 1331B x finish	1331B x ED
Parallel Arm Bracket	Specify: 125JP9 x finish	125JP9 x EAB (converts JO to JP9)
Parallel Arm Bracket	Specify: 125JPH9 x finish	125JPH9 x EN (converts JH to JPH9)
Mortise Nuts	Specify: 4TB x finish	4TB x EB

Note: When complete closer assembly is ordered with an accessory, order accessory as a separate item

Finishes Options

Finishes	ANSI/BHMA	Description
EB	695	Powder coated to match finish 10B
EN	689	Aluminum powder coated
ED	693	Powder coated to match finish 20D
EAB	696	Brass powder coated
EP	691	Bronze powder coated to match finish 10
10BE	613E	Dark oxidized satin bronze - equivalent
BSP	—	Black Suede Powder Coat
WSP	—	White Suede Powder Coat

Series	Number per Carton	Approx. wt per Carton
1331	4-Standard	28 lbs. per 4



Special Rust Inhibitor Process (SRI-)

Additional process provides an extra layer of protection for extreme corrosive environments. Available with powder coated finishes only, specify SRI- as an option when ordering.

The ASSA ABLOY Group is the global leader in access solutions. Every day, we help billions of people experience a more open world.

ASSA ABLOY Opening Solutions leads the development within door openings and products for access solutions in homes, businesses and institutions. Our offering includes doors, frames, door and window hardware, mechanical and smart locks. access control and service.



SARGENT Manufacturing Company
100 Sargent Drive
New Haven, CT 06511 USA
800-727-5477
www.sargentlock.com

Founded in the early 1800s, SARGENT® is a market leader in locksets, cylinders, door closers, exit devices, electro-mechanical products and access control systems for new construction, renovation, and replacement applications. The company's customer base includes commercial construction, institutional, and industrial markets.

Copyright © 2004-2022, SARGENT Manufacturing Company. All rights reserved. Reproduction in whole or in part without the express written permission of SARGENT Manufacturing Company is prohibited. Patent pending and/or patent www.assaabloydss.com/patents.