

7000 Series

Multi-Point Lock

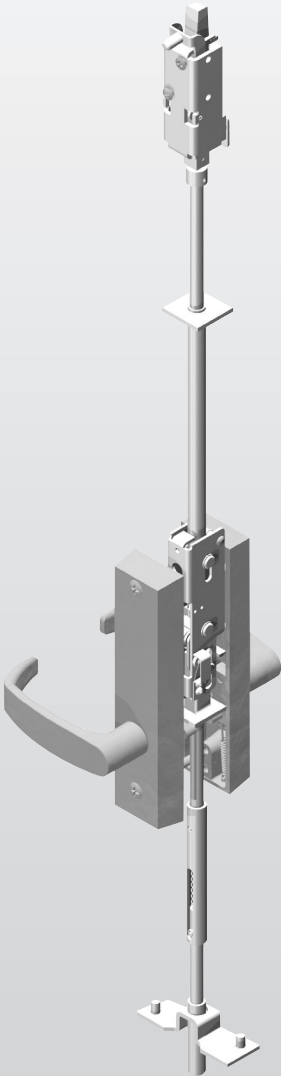


Table of Contents

7000 Series Vertical Rod Locks

Introduction and UL Chart	3
Windstorm Certifications	4
ET, ER & ES Trims	5
Standard & Coastal Lever Designs	6
Studio Collection Levers	7-9
Features and Specifications	10-12
Electric Latch Retraction Option (ELR)	13
Function Combinations and Electrical Options	14
How to Order, Finishes, Trim Options, Handing	15
Cylinder Options	16
Cylinder Options (continued) & Mechanical Options	16-17
Rod & Bolt Kits	18
Architectural Specifications	19

MicroShield®

ASSA ABLOY Group companies offer MicroShield®, an anti-microbial coating for door hardware. MicroShield uses proven silver ion-based technology from Agion®, a leading provider of antimicrobial solutions, to stem the spread of bacteria and other microbes.

MicroShield® is a registered trademark of ASSA ABLOY Access and Egress Hardware Group, Inc.



The Agion antimicrobial is not intended as a substitute for good hygiene. Coated products must still be cleaned to ensure the surfaces will be free of destructive microbes. ASSA ABLOY makes no representations or warranties, express or implied, as to the efficacy of the Agion antimicrobial. A copy of the Agion warranty is available upon request. Agion is a registered trademark of Agion Technologies, Inc., Wakefield, MA, USA.



EcoFlex®

- Reduces energy consumption up to 95% for Exit Trim, as certified by GreenCircle
 - Lower operating costs
 - Assists with load reduction in optimizing energy performance credit in LEED
 - Reduces number of power supplies required
- Field configurable to fail-safe or fail-secure
- Operates from 12-24VDC, offering greater flexibility in system design
- Innovative actuator design provides superior reliability
 - Higher performance and reduced maintenance
 - Ability to have longer cable runs without negatively impacting lock function
 - Reduces risk of voltage drops and eliminates inductive kickback
 - Lower total cost of ownership

On The Cover

- 70151SETL

Introduction and UL Chart

7000 Series Vertical Rod Locks

The 7000 Series Multi-Point Lock is ideal for security applications and joins the SARGENT line of multi-point door security devices including:

- The FM7100 Multi-Point auto deadlocking system
- Exit Devices with the choice of concealed or surface mounted vertical rods

Eliminating the need for automatic flushbolts and coordinators, the 7000 Series provides flexibility, simplicity, strength, durability, aesthetics and innovation and is perfect for a wide variety of applications where exit devices are not required.

7000 Series Vertical Rod locks are available for aluminum, wood and metal doors. Single point top latching can also be specified, eliminating the bottom strike and the additional installation work required with a bottom bolt. The single point device is specified with the NB- option.

Rods are retracted by dual mounted controls with a variety of functions available.

The 7000 Series is available for fire rated openings as a 12- for wood or metal doors.

Thermal pin requirements for fire rated doors:

- Double doors with two point latching on each do not require thermal pins
- Double doors with single point latching (NB-) on each require a total of 2 thermal pins, one thermal pin (supplied) for each device
- Single door applications: contact factory

Simplicity

- Easy installation!
- Maintenance free design
- Few moving parts – less wear
- Modular construction

Aesthetics

- Clean, simple, aesthetically pleasing design
- “True” architectural hardware finishes consistent with BHMA/ANSI standards
- *Coastal Series* and *Studio Collection decorative levers* available

Security

- Torx® and spanner screws available
- Master keying available with SARGENT security key systems: Degree, Signature, XC, Keso and Keso F1

Innovation

- The 7000 Series is available with a variety of electro-mechanical solutions, including bolt monitoring, solenoid activated trim and inside and outside lever monitoring

Strength & Durability

- Heavy duty mounting construction
- Built to withstand abusive conditions
- 5 Year warranty

Application	Device	Maximum Door Opening	UL Fire Door Hardware Rating				Notes
			3 Hours (A)	1-1/2 Hour (B)	3/4 Hour (C)	20 min.	
Pair of Doors Swinging in Same Direction	12-7000 x 12-7000	8' x 10' Hollow Metal	X	X	X	X	1A, 1B
	12-NB-7000 x 12-NB-7000	8' x 10' Hollow Metal	X	X	X	X	1A, 1B, 2A
	12-WD7000 x 12-WD7000	8' x 8' Wood		X	X	X	1A, 1B
	12-NB-WD7000 x 12-NB-WD7000	8' x 8' Wood		X	X	X	1A, 1B, 2B
Pair of Doors Swinging in Opposite Directions	12-7000 x 12-7000	8' x 10' Hollow Metal	X	X	X	X	1B
	12-NB-7000 x 12-NB-7000	8' x 10' Hollow Metal	X	X	X	X	1B, 2A
	12-WD7000 x 12-WD7000	8' x 8' Wood		X	X	X	1B
	12-NB-WD7000 x 12-NB-WD7000	8' x 8' Wood		X	X	X	1B, 2B

Any retrofit or other field modification to a fire rated opening can potentially impact the fire rating of the opening, and Sargent Manufacturing Company makes no representations or warranties concerning what such impact may be in any specific situation. When retrofitting any portion of an existing fire rated opening, or specifying and installing a new fire-rated opening, please consult with a code specialist or local code official (Authority Having Jurisdiction) to ensure compliance with all applicable codes and ratings.

Note 1A: An astragal cannot be used when both doors are active

Note 1B: Door construction limitations or building code may require the use of an astragal to match the maximum hardware listing

Note 2A: Hardware listing requires 2 thermal pins, door-to-door orientation

Note 2B: Hardware listing requires 2 thermal pins, door-to-floor orientation

Windstorm Certifications: Florida Building Codes & UL Listings

SARGENT Manufacturing’s products meet building codes that require hurricane and windstorm certifications, including some of the most stringent building codes as specified in the Florida Building Code, Miami Dade Code and the International Building Code. The WS-12-7000 and HC-12-7000 devices are rated to a design pressure of +/- 86.

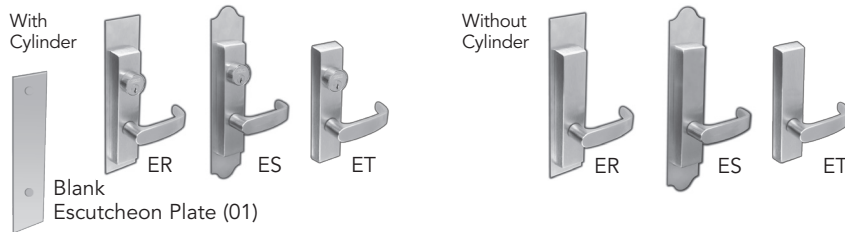
Florida Building Code: FL2998

UL Certification Directory: ZHEM.R21744 – Latching Hardware

ANSI/SDI-BHMA A250.13	“Testing and Rating of Severe Windstorm Resistant Components for Swinging Door Assemblies”
ANSI/ASTM E330	“Standard Test Method for Structural Performance of Exterior Windows, Doors, Skylights and Curtain Walls by Uniform Static Air Pressure Difference”
ANSI/ASTM E1886	“Standard Test Method for Performance of Exterior Windows, Curtain Walls, Doors, and Impact Protective Systems Impacted by Missile(s) and Exposed to Cyclic Pressure Differentials”
ASTM E1996	“Standard Specification for Performance of Exterior Windows, Curtain Walls, Doors and Impact Protective Systems Impacted by Windborne Debris in Hurricanes”
(TAS) 201	“Impact Test Procedures”*
(TAS) 202	“Standard Test Method for Structural Performance of Exterior Windows, Doors, Skylights and Curtain Walls by Uniform Static Air Pressure Difference”
(TAS) 203	“Criteria for Testing Products Subject to Cyclic Wind Pressure Loading”*

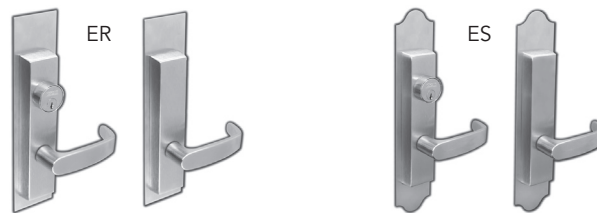
* Published in the “Florida Building Code”

Trim Options



ER & ES Controls are ET Controls with back plates.

- The back plates are:
- Mounted between the trim and the door
 - Required for wood doors (WD-)
 - Optional on metal doors
- Note:** May be used to cover existing door preps



ER, ES & ET Lever Controls

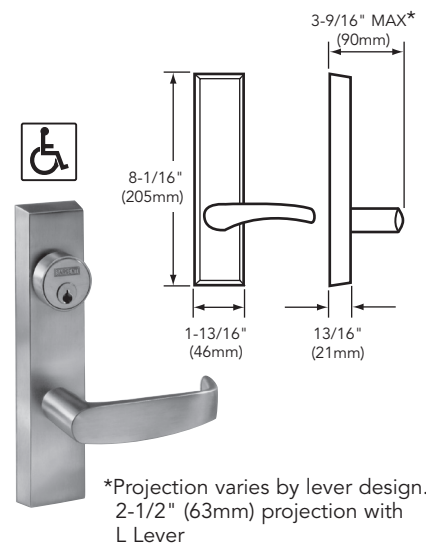
Easy operating lever handle allows convenient one hand operation. Coastal, Studio & standard levers are either brass or bronze. Stainless steel levers are available in standard designs only. The control is brass, plated as required.

Features EcoFlex®.

The outside trim is specified as a -2 control with function specified (e.g., 713-2 ET, 713-2 ER & 713-2 ES x lever design, hand & finish).

The inside control is a MP and -2 control with function specified (e.g., MP715-2 ET, MP715-2 ER or MP715-2 ES x lever design, hand & finish).

Note: 73 & 74 functions require the voltage to be specified, 12V or 24V.



100 Series Aux Control

- 100 Series Control offers key override for 01, 10, 40, 73 & 74 function devices
- Available functions are 06 & 13
- Supplied with a SARGENT #41 mortise cylinder



Copyright © 2007-2023, SARGENT Manufacturing Company. All rights reserved. Reproduction in whole or in part without the express written permission of SARGENT Manufacturing Company is prohibited. Patent pending and/or patent www.assaabloydss.com/patents.

Standard & Coastal Lever Designs

7000 Series Vertical Rod Locks

SARGENT
ASSA ABLOY

Standard Levers

A Lever Design

- Lever: A-Solid forged or cast
- Must specify hand when ordering



B Lever Design

- Lever: B-Solid forged or cast



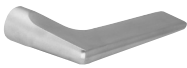
E Lever Design

- Lever: E-Solid forged or cast



F Lever Design

- Lever: F-Solid forged or cast



J Lever Design

- Lever: J-Solid bar stock



L Lever Design

- Lever: L-Solid forged or cast



P Lever Design

- Lever: P-Solid forged or cast



W Lever Design

- Lever: W-Solid bar stock



Coastal Series™ Levers

- Solid Cast Brass

G - Gulfport™

- Must specify hand when ordering



R - Rockport™

- Must specify hand when ordering



S - Sanibel™

- Must specify hand when ordering



Y - Yarmouth™

- Must specify hand when ordering



Studio Collection Levers

7000 Series Vertical Rod Locks

Studio Collection trim is available in a broad array of designs and finishes. It allows for uniformity throughout a facility using the 8200, R8200 and 7900 Series Mortise Locks, Access Control Products, 80 Series Exit Devices, DL and RDL Series Tubular Locks.

All levers meet ADA compliance for national codes. Visit the online Decorative Hardware Product Selector at selector.sargentlock.com to mix and match styles and finishes.

Centro Series



MC²



MD



MJ



MP²



ND¹



NJ¹

Notting Hill Series²

(MA & MO are Non-Handed Levers)



MA



MQ



MT



MM



MY¹



MO



MZ¹

Aventura Series



MB



ME



MF



NF¹



MG



MI



MW¹

1. Lever returns within 1/2" (13mm) of door face

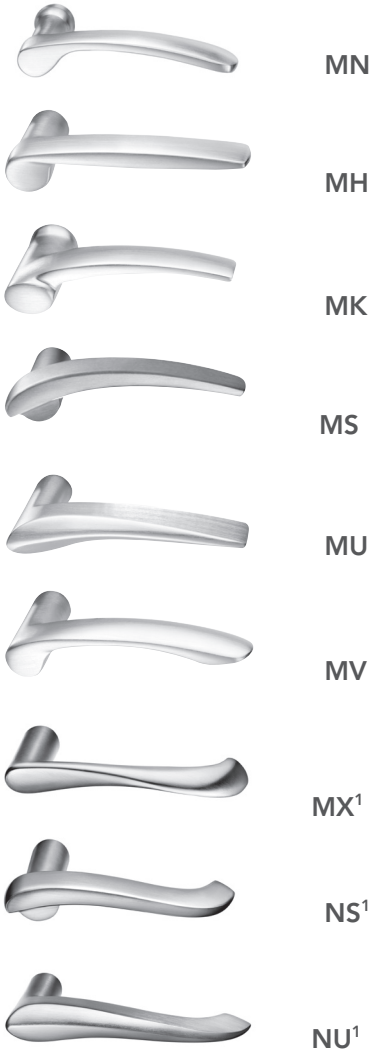
2. Not available in 32D or 32 finish

Studio Collection Levers

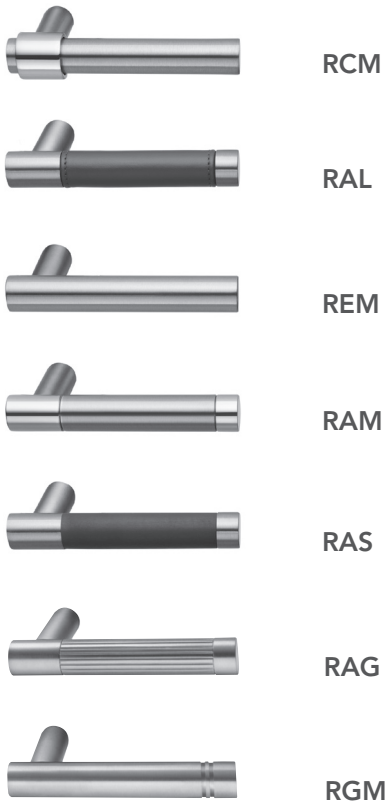
7000 Series Vertical Rod Locks

SARGENT
ASSA ABLOY

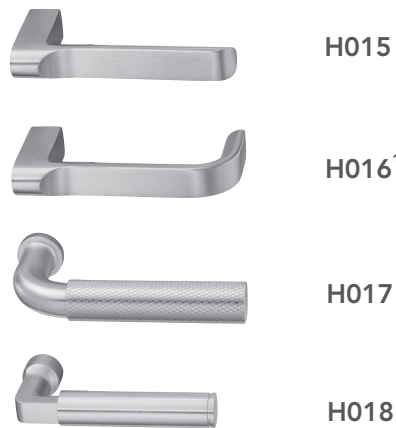
Odéon Series⁴ (Handed Levers)



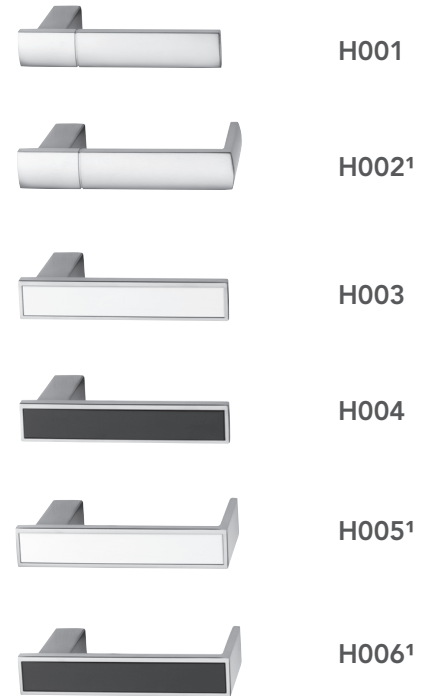
Gramercy Series²



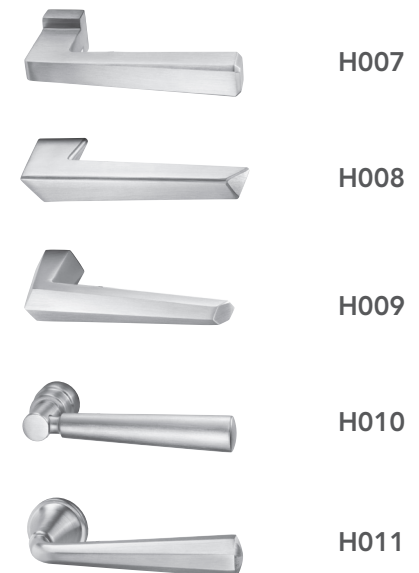
Berlin



Wooster Square³



Grant Park (H008 is handed)



1. Lever returns within 1/2" (13mm) of door face

2. Gramercy levers are customized. See page 9 for ordering information

3. H003-H006 - Contain white or black polycarbonate inserts. Not available with MicroShield[®] antimicrobial coating.

4. Not available in 32D or 32 finish

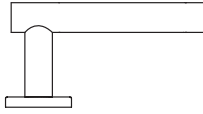
Copyright © 2007-2023, SARGENT Manufacturing Company. All rights reserved. Reproduction in whole or in part without the express written permission of SARGENT Manufacturing Company is prohibited. Patent pending and/or patent www.assaabloydss.com/patents.

90147 12/23

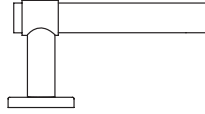
How to Order Gramercy Series Levers

7000 Series Vertical Rod Locks

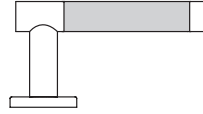
Gramercy Series Levers



REM, RGM



RCM



RAG, RAL, RAM, RAS

Gramercy Finish Codes

ANSI/BHMA Finish	SARGENT Finish	Gramercy Code*	Description
630	32D	30	Satin Stainless Steel
629	32	29	Bright Stainless Steel
613E	10BE	3E	Dark Oxidized Satin Bronze, Equivalent
N/A	BSP	BS	Black Suede Powder Coat
N/A	WSP	WS	White Suede Powder Coat
N/A	N/A	BK	Black (Santoprene™ or leather insert)
N/A	N/A	BN	Brown (leather insert)

*Code used to specify Gramercy Series finishes only. Use available finishes list to specify desired finish when ordering.

Gramercy Lever Descriptions & Available Finishes

Lever Designation	Lever Description	Available Finishes (AS ORDERED)
RAG	Grooved Insert	3030, 2929, 2930, 3029, 3E3E, BSBS or WSWs
RAL	Leather Insert	30BK30, 30BN30, 29BK30, 29BN30, 3EBK3E, BSBKBS, WSBKWS, 3EBN3E, BSNBNS or WSNBNS
RAM	Satin Metal Insert	2930 only (SEE NOTATION)
RAS	Santoprene Insert	30BK30, 29BK29, 3EBK3E, BSBKBS or WSBKWS
RCM	Raised Band	2930, 2929, 3030, 3029, 3E3E, BSBS or WSWs
REM	Plain	2930, 2929, 3030, 3029, 3E3E, BSBS or WSWs
RGM	Two Grooves	2929, 3030, 3E3E, BSBS or WSWs

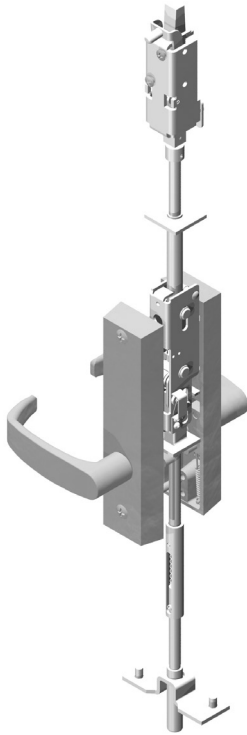
Notes for Two-tone finishes:

- 2930 Finish: grip of lever is 32D, balance of lever is 32. Rose/escutcheon and lock finish will be 32
- 3029 Finish: grip of lever is 32, balance of lever is 32D. Rose/escutcheon and lock finish will be 32D

To order Gramercy Series levers with SARGENT products, see the examples below. When specifying finish, use the last two digits of the ANSI/BHMA standard finish code, i.e. use "29" for polished stainless, ANSI/BHMA finish 629

Features and Specifications

7000 Series Vertical Rod Locks



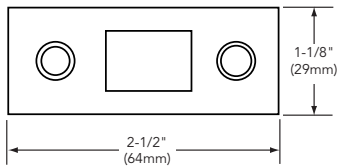
Features

- Designed for metal door applications with 2-1/4" Backset
- Concealed rods offer additional security
- Less bottom rod option available, specified as NB-7000 and 12-NB-7000 (For single door applications, consult factory)
- NB- provides free access for wheel chairs and carts
- Single or double door applications
- UL Fire Listed: 12-7000 / 12-NB-7000 (12-NB- is for double door applications only)
- UL Certified to ZHEM.R21744 (HC and WS option)

Specifications

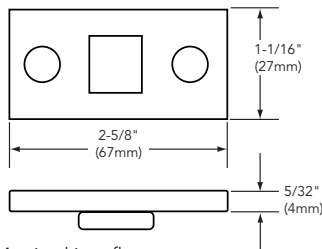
For Doors	Metal doors, 1-3/4" (44mm) door thickness standard, 3-7/8" minimum stile, 2-1/4" backset standard
Mounting	Supplied fasteners are for metal doors with through-bolts for trim
Hand	Field reversible; specify RHR, LHR, RH or LH
Top and Bottom Bolts	Stainless steel. Top and bottom bolt travels 7/16" (11mm). Projection adjustable up to 1" (25mm).
Latching	Top and bottom (7000, 12-7000) or Top only (NB-7000, 12-NB-7000)
Fire Exit Hardware	See Chart page 1
Trim	ET, ER & ES Controls are available with all lever designs. 100 Series Auxiliary Control offer cylinder override for 01, 10, 40, 73 & 74 function devices
Functions	01, 06, 10, 13, 15, 16, 40, 43, 46 Freewheeling 73, 74, Electrical+
Strikes	650 Top Strike, 606 Bottom Strike, standard
Cylinder	#41 Mortise Cylinder

650 Top Strike



- Stainless steel
- Top strike for 7000, 12-7000, NB-7000, 12-NB-7000

606 Bottom Strike



- Mortised into floor
- Stainless steel
- Bottom strike for 7000, 12-7000

+ See page 10 for details When ordering always specify:

- Opening height (Standard opening height 96")
- AFF - Above Finished Floor - Centerline of lever to finished floor or threshold (Standard 35-7/8" AFF)

Features and Specifications

7000 Series Vertical Rod Locks

Features

- Designed for aluminum door applications
- Concealed rods offer additional security
- Less bottom rod option available, specified as NB-AD 7000 (For single door applications, consult factory)
- NB- provides free access for wheel chairs and carts
- Single or double door applications

Specifications

For Doors*	Aluminum doors, 1-3/4" (44mm) door thickness standard, 2-3/4" minimum stile for single doors, 2-1/2" minimum stile for double doors, 7/8" backset standard for double doors, 1-1/8" backset for single doors
Mounting	Supplied fasteners are for metal doors with through-bolts for trim
Hand	Field reversible; specify RHR, LHR, RH or LH
Top and Bottom Bolts	Stainless steel. Top and bottom bolt travels 7/16" (11mm) Projection adjustable up to 1" (25mm)
Latching	Top and bottom (AD 7000) or Top only (NB-AD 7000)
Fire Exit Hardware	See Chart page 1
Trim	ET, ER & ES Controls are available with all lever designs. 100 Series Auxiliary Control offer cylinder override for 01, 10, 40, 73 & 74 function devices
Functions	01, 06, 10, 13, 15, 16 40, 43, 46 Freewheeling 73, 74, Electrical+
Strikes	640 Top and Bottom Strike, 639 Top Strike only, standard
Cylinder	#41 Mortise Cylinder

701515 x ETL
Shown



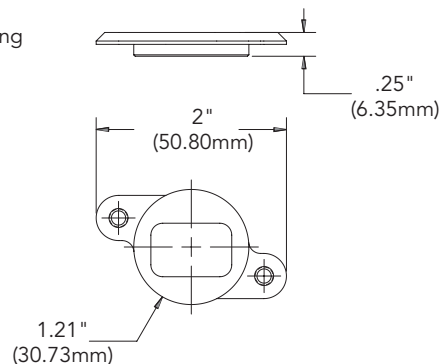
* Consult door manufacturer
+ See page 10 for details

When ordering always specify:

- Opening height (Standard opening height 96")
- AFF - Above Finished Floor - Centerline of lever to finished floor or threshold (Standard 35-7/8" AFF)

639/640 Strike Kits

- Steel with Black Nylon Coating
- Machine Screws Supplied
- 640 Kit contains 2 strikes (Top & Bottom)
- 639 Kit contains 1 strike (Top Only)



Features and Specifications

7000 Series Vertical Rod Locks

Features

- Designed for wood door applications with 2-1/4" Backset
- Concealed rods offer additional security
- Less bottom rod option available, specified as NB-WD7000 and 12-NB-WD7000 (For single door applications, consult factory)
- NB- provides free access for wheel chairs and carts
- Single or double door applications
- UL Fire Listed: 12-WD7000 / 12-NB-WD7000 (12-NB- is for double door applications only)

Specifications

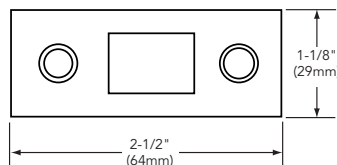
For Doors	Wood doors, 1-3/4" (44mm) door thickness standard, 3-7/8" minimum stile, 2-1/4" backset standard
Mounting	Supplied fasteners are for metal doors with through-bolts for trim
Hand	Field reversible; specify RHR, LHR, RH or LH
Top and Bottom Bolts	Stainless steel. Top and bottom bolt travels 7/16" (11mm) Projection adjustable up to 1" (25mm)
Latching	Top and bottom (WD7000, 12-WD7000) or Top only (NB-WD7000, 12-NB-WD7000)
Fire Exit Hardware	See Chart page 1
Trim	ER & ES Controls are available with all lever designs. 100 Series Auxiliary Control offer cylinder override for 01, 40, 10, 73 & 74 function devices
Functions	01, 06, 10, 13, 15, 16 40, 43, 46 Freewheeling 73, 74, Electrical+
Strikes	650 Top Strike, 606 Bottom Strike, standard
Cylinder	#41 Mortise Cylinder

+ See page 10 for details

When ordering always specify:

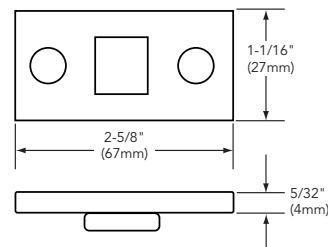
- Opening height (Standard opening height 96")
- AFF - Above Finished Floor - Centerline of lever to finished floor or threshold (Standard 35-7/8" AFF)

650 Top Strike

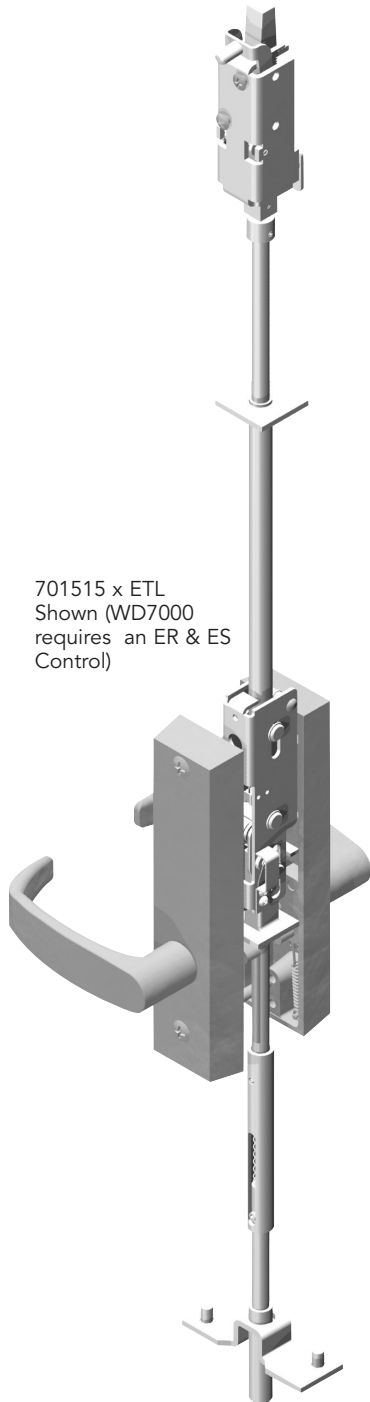


- Stainless steel
- Top strike, WD7000, 12-WD7000, NB-WD7000, 12-NB-WD7000

606 Bottom Strike



- Mortised into floor
- Stainless steel
- Bottom strike for WD7000, 12-WD7000

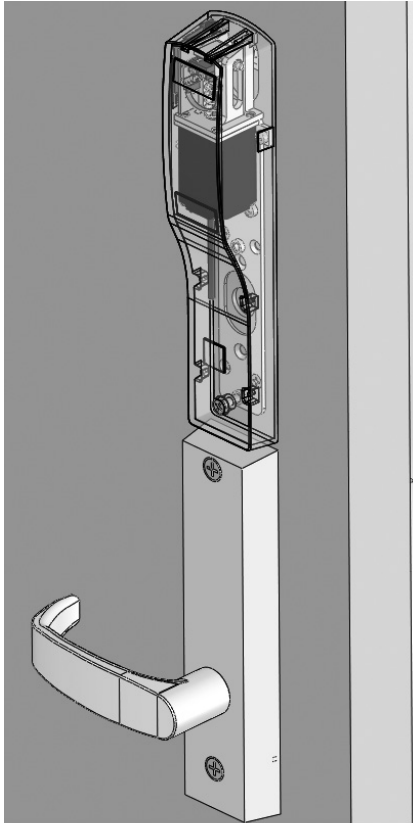


Electric Latch Retraction Option (ELR)

7000 Series Vertical Rod Locks

SARGENT's Electric Latch Retraction (ELR) is the perfect choice for high traffic doors that require access control. This non-handed module is durable and easy to install. It utilizes a latch retraction motor rather than a solenoid, ensuring quiet operation ideal for locations such as conference rooms, theaters and libraries. Once retracted, the door functions in a push/pull manner.

The ELR- can be dogged for momentary ingress and egress and is commonly used in conjunction with an automatic door operator. The device can be dogged continuously on fire-rated devices that are tied into the building's fire detection system.



Electric Latch Retraction Features

- 5 year warranty
- Patented
- Field serviceable - modular design
- Supports electrified dogging
- Motor-driven latch retraction for smooth, precise operation
- Amount of latch retraction is automatically controlled by the ELR- circuitry; System actively monitors its position and adjusts itself
- Digital retraction timer (0-20 seconds; factory setting is 0)
- Standard electric hinge - no special power transfer required
- Can be used for continuous and intermittent use
- UL Listed for Class II Circuitry
- Power Requirements: 24 or 12VDC regulated/filtered power supply (3500 Series)
- Current draw:
 - 24VDC: 700mA during retraction & 150mA maintained in dogged position
 - 12VDC: 850mA during retraction & 250mA maintained in dogged position
- Available for 7000 series only
- See page 13 for compatible functions
- See McKINNEY's Transfer Device Solutions Catalog for QC Hinge and cable requirements
- Order as a ELR- option (e.g., ELR-701315 x ETMF x LH x 26D x 96)

Optional Accessories

- 3500 Series Power Supply
- 4370 Keyswitch
- 3287 Door Status Switch



EcoFlex®

- Reduces energy consumption up to 95% for Exit Trim, as certified by GreenCircle
 - Lower operating costs
 - Assists with load reduction in optimizing energy performance credit in LEED
 - Reduces number of power supplies required
- Field configurable to fail-safe or fail-secure
- Operates from 12-24VDC, offering greater flexibility in system design
- Innovative actuator design provides superior reliability
 - Higher performance and reduced maintenance
 - Ability to have longer cable runs without negatively impacting lock function
 - Reduces risk of voltage drops and eliminates inductive kickback
 - Lower total cost of ownership

Function Combinations & Electrical Options

7000 Series Vertical Rod Locks, AD7000 & WD7000 Series Vertical Rod Locks

SARGENT
ASSA ABLOY

Available Function Combinations:		Inside Function									
		6 ¹	13 ¹	15	16	40	43 ¹	46 ¹	73 ^{1,4}	74 ^{1,4}	
Outside Function	Blank Escutcheon Plate	1	X	X	X			X	X	X	X
	Key unlocks Trim; Trim retracts latch; Trim relocks when key is removed	6	X	X	X					X	X
	No outside Operation (No Cylinder); Pull Only	10 ³	X	X	X					X	X
	Class Room Key Outside Unlocks/locks Trim; #41 Cylinder Supplied	13	X	X	X						
	Passage only (No Cylinder)	15	X	X	X			X	X		
	Key outside unlocks/locks O/S trim; Key inside unlocks/locks O/S trim	16				X					
	Freewheeling Trim; No Outside Operation	40						X	X		
	Freewheeling Trim; Key Outside Unlocks/locks Trim	43			X		X	X	X		
	Freewheeling Trim; Key unlocks Trim; Trim retracts latch/Trim relocks when key is removed	46			X		X	X	X		
	Electrified Trim - Fail Safe	73 ⁴	X	X	X					X	X
	Electrified Trim - Fail Secure	74 ⁴	X	X	X					X	X

Available Function Combinations When Used With an ELR Prefix		Inside Function						
		6 ¹	13 ¹	15	16	43 ¹	46 ¹	
Outside Function	Blank Escutcheon Plate	1	ELR	ELR	ELR		ELR	ELR
	Key unlocks Trim; Trim retracts latch; Trim relocks when key is removed	6	ELR	ELR	ELR		ELR	ELR
	No outside Operation (No Cylinder); Pull Only	10 ³	ELR	ELR	ELR		ELR	ELR
	Class Room Key Outside Unlocks/locks Trim; #41 Cylinder Supplied	13	ELR	ELR	ELR		ELR	ELR
	Passage only (No Cylinder)	15 ²	ELR	ELR	ELR	ELR	ELR	ELR
	Key outside unlocks/locks O/S trim; Key inside unlocks/locks O/S trim	16				ELR		
	Freewheeling Trim; No Outside Operation	40	ELR	ELR	ELR		ELR	ELR
	Freewheeling Trim; Key Outside Unlocks/locks Trim	43	ELR	ELR	ELR		ELR	ELR
	Freewheeling Trim; Key unlocks Trim; Trim retracts latch/Trim relocks when key is removed	46	ELR	ELR	ELR		ELR	ELR

1. Not recommended for use on any door used for Life Safety egress
2. Passage function, non-locking device
3. Rigid lever
4. 73 & 74 functions require the voltage to be specified, 12V or 24V.

Electrical Options

One Hinge		53	54	55	53-54	53-55
NONE	—	QC4	QC8*	QC8*	QC12	QC12
Fail safe	QC8*	QC12	QC8*	QC8*	QC12	QC12
Fail Secure	QC8*	QC12	QC8*	QC8*	QC12	QC12
ELR	QC8*	QC12	—	—	—	—

Two Hinges**		53	54	55	53-54	53-55
NONE	—	—	—	—	—	—
Fail safe	—	—	—	—	—	—
Fail Secure	—	—	—	—	—	—
Fail Safe, Fail Safe	QC8, QC8	QC8, QC12	QC8, QC8	QC8, QC8	QC8, QC12	QC8, QC12
Fail Secure, Fail Secure	QC8, QC8	QC8, QC12	QC8, QC8	QC8, QC8	QC8, QC12	QC8, QC12
Fail Secure, Fail Safe	QC8, QC8	QC8, QC12	QC8, QC8	QC8, QC8	QC8, QC12	QC8, QC12
ELR	—	—	QC8, QC8*	QC8, QC8*	QC8, QC12	QC8, QC12

* Available on WD

**Consult power transfer manufacturer and door manufacturer for load bearing hinge requirements.

Copyright © 2007-2023, SARGENT Manufacturing Company. All rights reserved. Reproduction in whole or in part without the express written permission of SARGENT Manufacturing Company is prohibited. Patent pending and/or patent www.assaabloydss.com/patents.

How to Order; Finishes; Handing

7000 Series Vertical Rod Locks

How to Order:

Options*	Series	Outside Function	Inside Function	Trim	Lever	Voltage for Electrified Trim**	Hand	Aux Control	Finish	Opening Height
11-NB-	70, AD70, or WD70	(select from chart on page 13)	(select from chart on page 13)	ER, ES, or ET	(refer to pages 3-5)	12VDC	RHR, LHR, RH, or LH	106 or 113	(select from chart below)	84"

* Multiple options may be selected

** Specify voltage desired for 73 & 74 function (12VDC/24VDC)

Note: Mounting height is 35-7/8" AFF standard

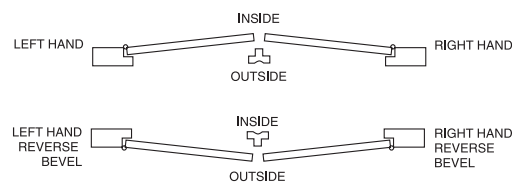
Finishes

Product	Description	BHMA
03	Polished brass, clear coat	605
04	Satin brass, clear coat	606
09	Polished bronze	611
10	Satin bronze, clear powder coat	612
10B	Oxidized bronze, oiled rubbed	613
10BE	Dark Oxidized Satin Bronze - Equivalent	(613E)
10BL	Oxidized Satin bronze, clear coat	614
14	Polished Nickel, clear coated	618
15*	Satin Nickel, clear coated	619
20D	Statuary bronze, dark	624
26	Polished chrome	625
26D*	Satin chrome	626
BSP	Black Suede Powder Coat	—

* Available with MicroShield®. Specify option as SG-

Handing

Door hands determined from outside of door or secured side.



Cylinder Options

7000 Series Vertical Rod Locks

SARGENT
ASSA ABLOY

Cylinder Options:

Large Format Interchangeable Core (Removable Core)	60-	Trim to accept SARGENT Permanent LFIC (Removable Core), Disposable plastic Core provided (Permanent Cores ordered separately)
	63-	Trim provided with LFIC (Removable Core) Cylinder - (Includes masterkeying, grand masterkeying)
	64-	Trim provided with Keyed construction core to accept LFIC (Removable) Permanent Core (ordered separately)
Small Format Interchangeable Core	70-	Trim to accept 6- or 7-Pin SFIC Permanent Cores, plastic disposable core provided
	72-	Trim to accept 6- or 7-Pin SFIC (6-Pin Keyed Construction Core provided) Cylinder (Permanent Core ordered separately)
	73-	Trim provided with 6-pin SFIC (Includes masterkeying, grand masterkeying)
	65-73-	Trim provided to accept Uncombined 6-Pin SFIC (Permanent) Core - (Packed Loose for field keying)
	65-73-7P-	Trim provided to accept Uncombined 7-Pin SFIC (Permanent) Core - (Packed Loose for field keying)
	73-7P-	Trim provided with Small Format 7-Pin Interchangeable Core (Includes masterkeying, grand masterkeying)
Keso & Keso F1	81-	Trim provided with housings to accept Keso (83) & Keso F1 (F1-83-) removable cores. (Permanent Cores ordered separately)
	82-	Trim provided with SARGENT Keso Security Cylinder
	F1-82-	Trim provided with SARGENT Keso F1 Security Cylinder (Patented)
	83-	Trim provided with SARGENT Keso Security Removable Core cylinder
	F1-83-	Trim provided with SARGENT Keso F1 Security Removable Core cylinder (Patented)
Added Security	84-	Trim provided with SARGENT Keso Construction Cores (Permanent Cores ordered separately)
	BR-	Bump Resistant Cylinder (Available with Conventional & Conventional XC- Cylinders Only)
Less Cylinder*	LC*	Less Cylinder - SARGENT supplies standard blocking rings for 1-3/8" Cylinders (For longer cylinders order collars/rings separately)
Schlage Keyways	SC-	Schlage C keyway cylinder, 0 bitted
	SE-	Schlage E keyway cylinder, 0 bitted
Degree Key System	DG1-	SARGENT Degree Key System Level 1 (Bump resistant with patented keys)
	DG1-21-	Degree Level 1 Construction Master Keying
	DG1-60-	Degree Level 1 Removable Disposable Construction Core
	DG1-63-	Degree Level 1 Removable Core
	DG1-64-	Degree Level 1 Removable Construction Keyed LFIC
	DG2-	SARGENT Degree Key System Level 2 (Geographically exclusive; bump and pick resistant)
	DG2-21-	Degree Level 2 Construction Master Keying
	DG2-60-	Degree Level 2 Removable Disposable Construction Core
	DG2-63-	Degree Level 2 Removable Core
	DG2-64-	Degree Level 2 Removable Construction Keyed LFIC
	DG3-	SARGENT Degree Key System Level 3 (Geographically exclusive; UL437 certified; bump and pick resistant)
	DG3-21-	Degree Level 3 Construction Master Keying
	DG3-60-	Degree Level 3 Removable Disposable Construction Core
	DG3-63-	Degree Level 3 Removable Core
DG3-64-	Degree Level 3 Removable Construction Keyed LFIC	
Signature Key System	10-	SARGENT Signature Key System (Not Available with other Key Systems)
	10-21-	SARGENT Signature Construction Key System (Lost Ball)
Signature: Large Format Interchangeable Core (Removable Core)	10-63-	SARGENT Signature LFIC (Removable Core) Cylinder

* Not available for 16 function

Mechanical Options

7000 Series Vertical Rod Locks

Cylinder Options (continued):

XC- Key System	11-	XC- Key System (Not available with other Key systems unless specified)
	11-21-	XC- Construction Key System (Lost Ball)
XC- Large Format Interchangeable Core (Removable Core)	11-60-	Trim to accept XC- Permanent LFIC (Removable Core), Disposable plastic Core- provided
	11-63-	Trim provided with XC- LFIC (Removable Core) Cylinder - (Includes masterkeying, grand masterkeying)
	11-64-	Trim provided with Keyed construction core to accept XC- LFIC (Removable) Permanent Core (ordered Separately)
XC- Small Format Interchangeable Core	11-70-7P-	Trim to accept XC- SFIC (7-Pin) XC- Permanent Cores, plastic disposable core provided
	11-72-7P-	Trim to accept XC- SFIC (7-Pin Keyed Construction Core provided) cylinder Permanent core ordered separately
	11-73-7P-	Trim provided with XC- Small Format 7-Pin interchangeable core (Includes masterkeying, grand masterkeying)
	11-65-73-7P-	Trim provided to accept XC- Uncombined 7-Pin SFIC (Permanent) Core - (Packed Loose)
Construction Key Systems	21-	SARGENT Lost Ball Construction Keying for Conventional, XC- and Signature Series (N/A with 63- or 73-)
	22-	SARGENT Construction Split Key System for Conventional Cylinders (Existing Systems Only) (N/A with 10-, 11-, 63- or 73-)
Old Style Removable Core	51-	Removable Core Cylinder (Old Style) provided (existing systems only)
	52-	Removable Construction Core (Old Style) Permanent core ordered separately (existing systems only)

Mechanical Options:

UL Listings	*12-	UL Fire Label Exit hardware
	HC	Hurricane-Resistant (available on metal doors only; Maximum openings 8'0" x 8'0")
	WS	Windstorm Resistant (available on metal doors only; Maximum openings 8'0" x 8'0")
Thick Doors	31-	Doors over 1-3/4" and/or Panels^ (Specify door thickness, panel thickness & location as required)
Security Fasteners	36-	Six lobe security head screws
	37-	Spanner head screws
Electrical Options	53-	Latchbolt monitoring switch
	54-	Monitors outside lever with micro switch in the control
	55-	Monitors inside lever with micro switch in the control
	ELR	Electric Latch Retraction
Tactile Warning Options	75-	Tactile Warning - Milled Inside Lever (Not available with Studio & Coastal Levers and the A Lever)
	76-	76- Tactile Warning - Milled Outside Lever (Not available with Studio & Coastal Levers and the A Lever)
	77-	77- Tactile Warning - Milled Inside & Outside Levers (Not available with Studio & Coastal Levers and the A Lever)
	85-	85- Tactile Warning - Abrasive coating on Inside Lever
	86-	86- Tactile Warning - Abrasive coating on Outside Lever
	87-	87- Tactile Warning - Abrasive coating on Inside & Outside Levers
Finish Protection	88-	88- Lever Hold Back (Not available with 12-)
	CPC-	Clear Powder Coat (Available for 26, 26D, 32 & 32D Finishes)
	** SG-	MicroShield® antimicrobial clear powder coat
Top Rod Only	NB-	No bottom rod

* One thermal pin is supplied with each 12-NB-WD7000 device for double door application. Fire Rated 12-NB-WD7000 is not available on single door applications

** Available on 15 and 26D finishes only

^ ELR is not available on doors with panels

Rod & Bolt Kits

7000 Series Vertical Rod Locks

Mounting Heights

- 35-7/8" (911mm) from finished floor to centerline of lever for standard application

Thermal Pins

- 12-7000 or 12-WD7000 devices installed on pairs of fire-rated doors do NOT require thermal pins
- 12-NB7000 and 12-NB-WD7000: devices are supplied with ONE thermal pin per fire-rated device, for installation on pairs of fire-rated doors
- For single door applications, consult factory

Rod Replacement Kits

Product	Top Rod Kit	Bottom Rod Kit
7000, AD7000	MD663T*	663B**
WD7000	WD663T*	663B**
WD7000 x AUX	WDA663T*	663B**

Rod & Bolt Replacement Kits

Product	Top Rod & Bolt Kit	Bottom Rod & Bolt Kit
7000, AD7000	MD694T*	694B**
WD7000	WD694T*	694B**
WD7000 x AUX	WDA694T*	694B**

* Opening height required & mounting height is 35-7/8" standard

** Mounting height is 35-7/8" standard

7000 Series Vertical Rod Locks

Architectural Specifications

- A. Multi-Point Locking Solutions shall be 7000 Series devices as manufactured by SARGENT Manufacturing Company, New Haven, CT.
- B. Multi-Point Locking Solutions shall be certified to meet or exceed the requirements of ANSI/BHMA A156 3 Grade 1.
- C. Multi-Point Locking Solutions shall be listed by Underwriters Laboratories and bear the UL label for life safety in full compliance with NFPA 80 and NFPA 101. Multi-Point Locking Solutions for fire labeled doors shall be UL listed as "Fire Exit Hardware".
- D. Rods shall be retracted in one operation by dual mounted lever controls with a complete range of functions, including electro-mechanical, on the secure side of the door.
- E. The device shall also be available as a single latching device with top latching only, eliminating the bottom strike.
- F. Lever trim shall be available in finishes and designs to match that of the specified locksets.
- G. There are no approved substitutes.
- H. Exit devices shall have a five year limited warranty.

These guidelines should be referenced regularly and as required for proper appearance and longevity of finish.

The ASSA ABLOY Group is the global leader in access solutions. Every day, we help billions of people experience a more open world.

ASSA ABLOY Opening Solutions leads the development within door openings and products for access solutions in homes, businesses and institutions. Our offering includes doors, frames, door and window hardware, mechanical and smart locks, access control and service.

SARGENT®

ASSA ABLOY

SARGENT Manufacturing Company
100 Sargent Drive
New Haven, CT 06511 USA
800-727-5477
www.sargentlock.com

Founded in the early 1800s, SARGENT® is a market leader in locksets, cylinders, door closers, exit devices, electro-mechanical products and access control systems for new construction, renovation, and replacement applications. The company's customer base includes commercial construction, institutional, and industrial markets.

Copyright © 2007-2023, SARGENT Manufacturing Company. All rights reserved. Reproduction in whole or in part without the express written permission of SARGENT Manufacturing Company is prohibited. Patent pending and/or patent www.assaabloydss.com/patents.