

90 Series

Exit Device



Table of Contents

90 Series Exit Devices

SARGENT®

ASSA ABLOY

UL Fire Door Ratings	3
Features & Applications	4
9800 Series Rim Exit Device	5
9800 Functions and Trims	6
9898 Reversible Rim Exit and Trim for the 9898 Rim Exit Device	7
9700 Series Surface Vertical Rod Exit Device	8
9700 Functions and Trims	9
9900 Series Mortise Lock Exit Device	10
9900 Functions and Trims	11
9400 Series Narrow Stile Concealed Vertical Rod Exit Device	12
ET Trim & Levers and Pulls	13
Studio Collection Levers	14-15
Thumb Piece Pulls	16
Electromechanical Functions and Accessories	17
Mullions: Aluminum, Steel and Electrified	18
Mullion Accessories, Stabilizers and Door Coordinators	19
Mechanical Options and Descriptions	20
Cylinder Options and Descriptions	21-22
Kits	23
Finishes and Finish Care	24
How to Order	25
Ordering Gramercy Series Levers	26
Architectural Specifications	27

MicroShield®

ASSA ABLOY Group companies offer MicroShield®, an antimicrobial coating for door hardware. MicroShield uses proven silver ion-based technology from Agion®, a leading provider of antimicrobial solutions, to stem the spread of bacteria and other microbes.

MicroShield® is a registered trademark of ASSA ABLOY Access and Egress Hardware Group, Inc.



The Agion antimicrobial is not intended as a substitute for good hygiene. Coated products must still be cleaned to ensure the surfaces will be free of destructive microbes.

ASSA ABLOY makes no representations or warranties, express or implied, as to the efficacy of the Agion antimicrobial. A copy of the Agion warranty is available upon request. Agion is a registered trademark of Agion Technologies, Inc., Wakefield, MA, USA.

EcoFlex®



- Reduces energy consumption up to 95% for exit trim, as certified by Green Circle, which lowers operating costs; assists with load reduction in optimizing energy performance credit in LEED, and reduces the number of power supplies requires.
- Field configurable to fail-safe or fail-secure, and operates from 12-24VDC, offering greater flexibility in system design.
- Innovative actuator design provides superior reliability through higher performance and reduced maintenance; the ability to have longer cable runs without negatively impacting lock function. It reduces the risk of voltage drops and eliminates inductive kickback, and lowers the total cost of owner ship.

UL Fire Door Ratings

90 Series Exit Devices

● = Available				UL Fire Door Rating				
Application	Type Of Device	Series Device	Maximum Door Opening	(A) 3 Hour	(B) 1-1/2 Hour	(C) 3/4 Hour	(D) 1-1/2 Hour	(E) 3/4 Hour
Single Doors	Mortise	12-9900	4'0" X 10'0" (1219 X 3048)	●	●	●	●	●
	Rim	12-9800 **	4'0" X 8'0" (1219 X 2438)	●	●	●	●	●
	Concealed	12-9400	4'0" x 7'2" (1219 X 2184)	●	●	●	●	●
Pair of Doors Swinging in the same direction	Mortise and Surface Vertical Rod	12-9900 X 12-9700	8'0" X 8'0" (2438 X 2438)	●	●	●	●	●
	Two Rim With Mullion (12-980 available)	12-9800 X 12-9800	8'0" X 8'0" (2438 X 2438)	●	●	●	●	●
	*Two Surface Vertical Rod No astragal No coordinator	12-9700 X 12-9700	8'0" X 8'0" (2438 X 2438)		●	●	●	●
	Two Concealed Vertical Rod No overlapping astragal	12-9400 X 12-9400	8'0" x 7'2" (2438 X 2184)		●	●	●	●
Double Egress Pair of Doors Swinging in opposite directions	*Two Surface Vertical Rod	12-9700 X 12-9700	8'0" X 8'0" (2438 X 2438)	●	●	●	●	●
	*Two Concealed Vertical Rod	12-9400	8'0" x 7'2" (2438 X 2184)	●	●	●	●	●

* Limited for Fire Doors listed by UL for this use. NFPA requires an astragal on 3 hour applications

** 75 and 76 functions are not available with 12- fire rated 9800 devices

Vertical rod applications will not work with astragal

Note: Please contact door manufacturer for specifications regarding fire door construction

Any retrofit or other field modification to a fire rated opening can potentially impact the fire rating of the opening, and Sargent Manufacturing Company makes no representations or warranties concerning what such impact may be in any specific situation. When retrofitting any portion of an existing fire rated opening, or specifying and installing a new fire-rated opening, please consult with a code specialist or local code official (Authority Having

Jurisdiction) to ensure compliance with all applicable codes and ratings.

Features & Applications

90 Series Exit Devices

SARGENT®

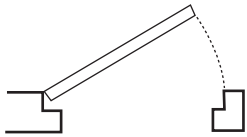
ASSA ABLOY

Features

- Full line of exit devices offering a selection of both wide and narrow stile exit devices, including concealed and surface vertical rods, rim and mortise
- Maximum 4" (102mm); projection, minimum 2-7/8" (74mm) depressed.
- All SARGENT exit devices can be masterkeyed or grand masterkeyed with any other SARGENT product
- All crossbar assemblies are brass, bronze, stainless steel, or steel (see specific device)
- Stainless steel springs throughout
- Trim is through-bolted
- UL Listed
- UL Listed to Canadian safety standards
- All fire exit hardware for hollow metal door applications listed up to 3 hours (A label) (Double doors require astragal)
- All fire exit hardware for wood door applications listed up to 1-1/2 hour (B label) except where noted
- ADA Compliant

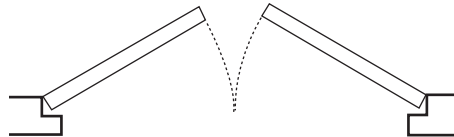
Applications

Single Door



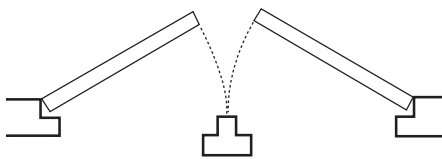
Rim Type 9800
Surface application.

Pairs of Doors without Mullion



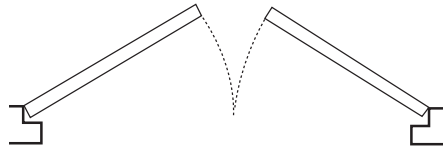
**Surface Vertical Rod Type 9700 or
Concealed Vertical Rod Type 9400 - 2 Each**
2 point locking both doors. Each door active.
Do not use an overlapping astragal.

Pairs of Doors with 980 Mullion



**Rim Type 9800 - 2 Each
980 Mullion - 1 Each**
Two independent active doors with full double door opening when required.

Pairs of Doors without Mullion



**Surface Vertical Rod Type 9700 - 1 Each
Rim Type 9800 - 1 Each**
Both devices are surface applied.
A coordinator is recommended.

9800 Series Wide Stile Rim Exit Device

90 Series Exit Devices

SARGENT®

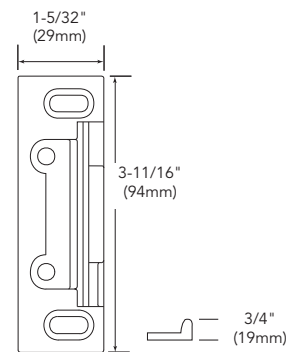
ASSA ABLOY



Specifications

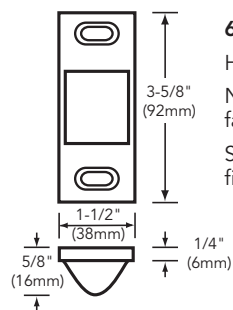
For Doors	Wood or metal. 1-3/4" (44.5mm) thick standard. 2-1/4" (57mm) thick on order. Other door thickness, consult factory. 4-1/8" (105mm) minimum stile
Mounting	Supplied standard with wood and machine screws. Through-bolts available on order.
Chassis Cover	Brass, bronze or stainless steel
Chassis	Nonferrous alloy
Crossbar	1" brass, bronze and stainless steel tubing. Specify 42- for reinforced cross bar.
Hand	Reversible
Dogging	Standard Allen key dogging (Not available on fire rated devices)
Strike	649 standard strike for panic and fire
Fire Exit Hardware	See chart page 3
Certification/Compliance ANSI	ANSI/BHMA156.3 - 2014 Grade 1 ADA Compliant

649 Strike



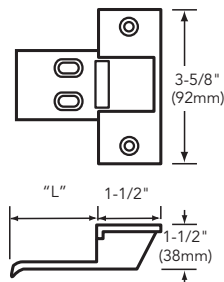
- For 9800 and 12-9800
- Supplied standard
- Surface applied
- Black nylon coated

Alternate Strikes



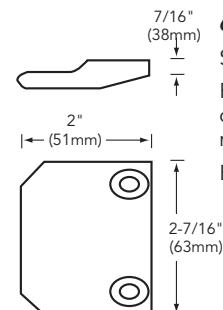
613

Half mortised
Nylon coating on face plate only
Specify hardware finish



642

Full mortised
Dimension "L" equals door thickness plus 1/2"
Nylon coating on lip only
Specify hardware finish



644

Surface applied
For use on pairs of doors without mullion
Black nylon coated

9800 Functions and Trim

90 Series Exit Devices

How to order: Options 10-SG- Series 98 Function 13 Trim ETL Hand RHR O/S Finish 26D I/S Finish 32D Door Width 36"

700 Series ET Trim



Exits with ET Trim, specify lever design after the ET designation (e.g., ETL)

Lever Designs for ET Controls

A, B, E, F, J, L, P, W

Also available with Coastal Series & Studio Collection Levers

Note: Voltage must be specified for 73, 74, 75 & 76 function ET trims (12v or 24v)

SARGENT Function Numbers	ANSI Function Numbers	Description & Cylinder Info (1-3/4" Door)	ANSI Type 1 9800 Panic & Fire
04	03	Night Latch Key Retracts Latch #34 Cylinder Supplied	9804 x ET_
10	01	No outside Operation (No Cylinder)	9810
10	02	No outside Operation (No Cylinder) ET Control is used as Pull Only	9810 x ET_
13	08	Key Outside Unlocks/locks Trim #41 Cylinder Supplied	9813 x ET_
15	14	Passage Only (No cylinder)	9815 x ET_
73		Electrified ET Trim - Fail Safe Power Off, Unlocks Lever (No Cylinder)	9873 x ET_
74		Electrified ET Trim - Fail Secure Power Off, Locks Lever (No Cylinder)	9874 x ET_
75++		Electrified ET Trim - Fail Safe Power Off, Unlocks Lever, Key Retracts Latch #34 Cylinder Supplied NOT available with 12-9800 devices	9875 x ET_
76**		Electrified ET Trim - Fail Secure Power Off, Locks Lever, Key Retracts Latch #34 Cylinder Supplied NOT available with 12-9800 devices	9876 x ET_

Note: Exit devices are available in all standard finishes, except 14, 15, 26 & 26D. With these finishes, exit devices are supplied in 32 or 32D to match accordingly. For nickel finishes, specify 14/32 or 15/32D to receive nickel finished trims and stainless exit devices

Options

9800

Mechanical Options:

- 12-
- 31-
- 36-
- 37-
- 42-
- 54-
- 76-
- 85-
- 86-
- 87-
- CPC-
- *** SG-
- TB-

Cylinder Options:

- 10-
- 10-21-
- 10-63-
- 11-
- 11-21-
- 11-60-
- 11-63-
- 11-64-
- 11-70-7P-
- 11-72-7P-
- 11-73-7P-
- 11-65-73-7P-
- 21-
- 22-
- 51-
- 52-
- 60-
- 63-
- 64-
- 70-
- 72-
- 73-
- 65-73-
- 65-73-7P-
- 73-7P-
- 81-
- 82-
- F1-82-
- 83-
- F1-83-
- 84-
- BR-
- LC-
- SC-
- SE-

*** Only available with 15, 26D, and 32D finishes

Available Finishes

SARGENT Finishes	BHMA Finishes
03	605
04	606
09	611
10	612
10B	613
10BE	613E
10BL	614
14	618
15	619
20D	624
26	625
26D	626
32	628
32D	630
BSP	—
WSP	—

Pull & Thumb Piece Trim Section

Trim Designations

- Use three letter designations (Ex "PTB") when ordering the exit device with trim
- Use the six digit designation (Ex "866-MAL") when ordering trim without an exit device, always specify finish

Series



9800
Panic & Fire

SARGENT Function Numbers	ANSI Function Numbers	Description & Cylinder Info. (1-3/4" Door)	814-FLL	814-FLW	814-MAL	814-PTB	814-ST5	862 Pull	9800 Panic & Fire
04	03	Night Latch Key Retracts Latch #34 Cylinder Supplied	814-FLL	814-FLW	814-MAL	814-PTB	814-ST5	862 Pull	9804 x Trim Designation
10	02	No O/S Operation or Cylinder (Pull Only)	810-FLL	810-FLW	810-MAL	810-PTB	810-ST5	862 Pull	9810 x Trim Designation
28	15	Passage Only (No cylinder)	828-FLL	828-FLW	828-MAL	828-PTB	828-ST5	N/A	9828 x Trim Designation
63	05	Key Outside Unlocks/ Locks Trim #34 Cylinder Supplied	866-FLL	866-FLW	866-MAL	866-PTB	866-ST5	N/A	9863 x Trim Designation

Note: Thumb piece trims for 63 and 66 function devices are identical and are identified as 66 function when trim is ordered separately
Note: Pulls and thumb piece trims are not available in 14, 15, 26 or 26D

9898 Reversible Rim Exit and Trim

90 Series Exit Devices



Note: If door width information is not supplied, SARGENT will supply a cross bar for a 44" door width

Options

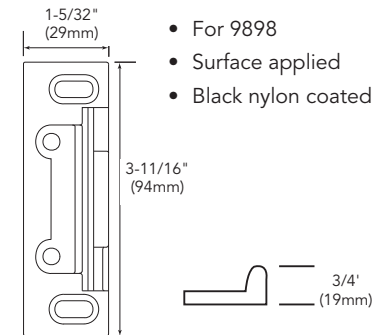
9898
Mechanical Options:
12-
85-
Cylinder Options:
10-
11-
11-60-
11-63-
11-64-
21-
22-
60-
63-
64-
81-
82-
F1-82-
83-
F1-83-
84-
BR-
CPC-
SG-***

*** Only available with 15, 26D, and 32D finishes

Specifications

For Doors	Wood or metal. 1-3/4" (44.5mm) thick standard. 2-1/4" (57mm) thick on order. Other door thickness, consult factory. 4-1/8" (105mm) minimum stile
Mounting	Supplied standard with wood and machine screws. Through-bolts available on order
Chassis Cover	Brass, bronze or stainless steel
Chassis	Nonferrous alloy
Crossbar	1" brass, bronze and stainless steel tubing. Specify 42- for reinforced cross bar.
Hand	Non-handed; field reversible
Dogging	Standard Allen key dogging (Not available on fire rated devices)
Strike	649 Strike
Fire Exit Hardware	Not available

649 Strike



Available Trim Designs & Functions to be used with any 9898 Device

- All trims are non-handed for 9898 devices

Product Designation



Functions	ANSI	Descriptions						
04	03	Key Retracts Latch #34 Cylinder Required & Supplied	814-FLL x Finish	814-FLW x Finish	814-MAL x Finish	814-PTB x Finish	814-STB x Finish	814-STC x Finish
10	02	No O/S Operation or Cylinder (Pull Only)	810-FLL x Finish	810-FLW x Finish	810-MAL x Finish	810-PTB x Finish	810-STB x Finish	810-STC x Finish
10	01	No O/S Operation or Cylinder (Exit Only)	N/A	N/A	N/A	802-PTB x Finish	N/A	N/A
28	15	Passage Only (No cylinder)	828-FLL x Finish	828-FLW x Finish	828-MAL x Finish	828-PTB x Finish	828-STB x Finish	828-STC x Finish
63	05	Key Outside Unlocks/ locks Thumb Piece # 34 Cylinder Required & Supplied	866-FLL x Finish	866-FLW x Finish	866-MAL x Finish	866-PTB x Finish	866-STB x Finish	866-STC x Finish

Note: Thumb piece trims for 63 and 66 function devices are identical and are identified as 66 function when trim is ordered separately

Note: Pulls and thumb piece trims are not available in 14, 15, 26 or 26D

How to order:	Options	Series	Function	Trim	Hand	O/S Finish	I/S Finish	Door Width
	10-SG-	99	13	ETL	RHR	26	32	36"

Experience a safer
and more open world

1-800-727-5477 • www.sargentlock.com

9700 Series Wide Stile Surface Vertical Rod Exit Device

90 Series Exit Devices

SARGENT®
ASSA ABLOY

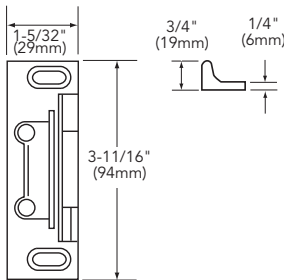


Specifications

Applications	Single and double door
For Doors	Wood or metal. 1-3/4" (44.5mm) thick standard. 2-1/4" (57mm) thick on order. Other door thickness, consult factory. 3" (76mm) minimum stile. Maximum door height 96"
Mounting	Supplied standard with wood and machine screws. Through-bolts available on order.
Chassis Cover	Brass, bronze or stainless steel
Chassis	Nonferrous alloy
Crossbar	1" brass, bronze and stainless steel tubing. Specify 42- for reinforced cross bar .
Hand	Non Handed
Dogging	Standard Allen key dogging (Not available on fire rated devices)
Latching	<ul style="list-style-type: none"> Two point latching (top and bottom of the door) Top & bottom latchbolt projection adjustable through center case Standard bottom latch compatible with latchtrack thresholds (by others)
Strikes	646 top strike for panic & fire and 624 bottom strike for panic & 655 bottom strike for fire
Rod	1/2" brass, bronze or stainless steel
Fire Exit Hardware	See chart page 3
Opening Height	84" (2134mm) Standard
Certification/ Compliance ANSI	<ul style="list-style-type: none"> ANSI/BHMA156.3 - 2014 Grade 1 ADA Compliant UL Fire and Panic listed

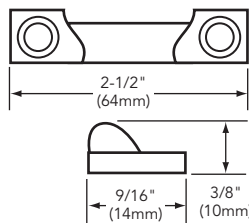
646 Top Strike

- Standard Top Strike for both Panic & Fire (12-) Hardware
- Surface applied to frame
- Black nylon coated
- Replaces 629 Strike



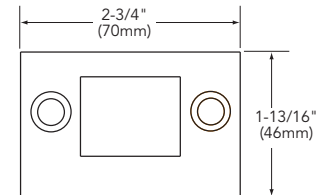
624 Bottom Strike

- Standard for 9700
- Applied to surface of floor or to a flat threshold
- Black nylon coated



655 Bottom Strike

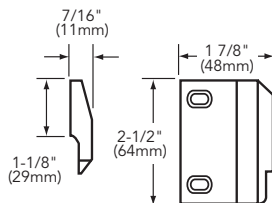
- Standard bottom strike for 12-9700 and 14-9700
- Stainless steel
- Black nylon coated
- Replaces 647 Strike



648 & 653 Strikes (Optional)

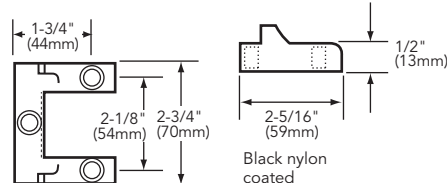
648 Strike

For doors having transom panel applications
Black nylon coated



653 Strike

Alternate for 12-9700



9700 Functions and Trim

90 Series Exit Devices

700 Series ET Trim



Exits with ET Trim, specify lever design after the ET designation (e.g., ETL)

Lever Designs for ET Controls

A, B, E, F, J, L, P, W

Also available with Coastal Series & Studio Collection Levers

Note: Voltage must be specified for 73 & 74 function ET trims (12v or 24v)

SARGENT Function Numbers	ANSI Function Numbers	Description & Cylinder Info. (1-3/4" Door)	ANSI Type 2 9700 Panic & Fire
06	09	Key unlocks Trim, Trim retracts latch/ Trim relocks when key is removed #41 Cylinder Supplied	9706 x ET_
10	01	No outside Operation (No Cylinder)**	9710
10	02	No outside Operation (No Cylinder)** ET Control is used as Pull Only	9710 x ET_
13	08	Key Outside Unlocks/locks Trim #41 Cylinder Supplied	9713 x ET_
15	14	Passage Only (No cylinder)	9715 x ET_
73		Electrified ET Trim - Fail Safe Power Off, Unlocks Lever (No Cylinder)**	9773 x ET_
74		Electrified ET Trim - Fail Secure Power Off, Locks Lever (No Cylinder)**	9774 x ET_

Note: Exit devices are available in all standard finishes, except 14, 15, 26 & 26D. With these finishes, exit devices are supplied in 32 or 32D to match accordingly. For nickel finishes, specify 14/32 or 15/32D to receive nickel finished trims and stainless exit devices

Note: AFF means Above Finished Floor, center line of rail Above Finished Floor

** Cylinder Override is available with a 306 Aux Control

Example Order: 9773F 12V x ETMG x 306 x RHR x 32D 36"w x 84"H

Options

9700

Mechanical Options:

- 12-
- 14-
- 31-
- 36-
- 37-
- 42-
- 54-
- 76-
- 85-
- 86-
- 87-
- CPC-
- *** SG-
- TB-
- Cylinder Options:**
- 10-
- 10-21-
- 10-63-
- 11-
- 11-21-
- 11-60-
- 11-63-
- 11-64-
- 11-70-7P-
- 11-72-7P-
- 11-73-7P-
- 11-65-73-7P-
- 21-
- 22-
- 51-
- 52-
- 60-
- 63-
- 64-
- 70-
- 72-
- 73-
- 65-73-
- 65-73-7P-
- 73-7P-
- 81-
- 82-
- F1-82-
- 83-
- F1-83-
- 84-
- BR-
- LC-
- SC-
- SE-

*** Only available with 15, 26D, and 32D finishes

300 Series++ Auxiliary Control

300 Series Auxiliary Control



Inside Lever Assembly for 300 Series Aux Control



Attaches to top rod and engages with 300 Series Auxiliary Control.

Part # 97-2378

SARGENT Function Numbers	ANSI Function Numbers	Description & Cylinder Info. (1-3/4" Door)	9700 Panic & Fire
06	12	Key unlocks Turn; Turn retracts latch/ Turn relocks when key is removed #41 Cylinder Supplied	9710 x 306
13	11	Key Outside Unlocks/locks Turn #41 Cylinder Supplied	9710 x 313

Note: When ordering 9700 Series Exit Device x 300 Series Aux. Control, specify 10 Function for the exit.

Example: 9710F x 306 x RHR x 32D x 42" x 90"

++ **Note:** Exit Devices must be mounted 38" AFF when used with a 300 Series Auxiliary Controls to meet ICC/ANSI A117.1-2003 Accessible & Usable Buildings and Facilities Code

Pull & Thumb Piece Trim Section

Trim Designations

- Use three letter designations (Ex "PTB") when ordering the exit device with trim
- Use the six digit designation (Ex "866-MAL") when ordering trim without an exit device, always specify finish

Series



9700 Panic & Fire

SARGENT Function Numbers	ANSI Function Numbers	Description & Cylinder Info. (1-3/4" Door)	810-FLL	810-FLW	810-MAL	810-PTB	810-STB	9710 x Trim Designation
10	02	Pull Only (No Cylinder)***	810-FLL	810-FLW	810-MAL	810-PTB	810-STB	9710 x Trim Designation
28	15	Passage Only (No cylinder)	828-FLL	828-FLW	828-MAL	828-PTB	828-STB	9728 x Trim Designation
63	05	Key Outside Unlocks/locks Trim #34 Cylinder Supplied	866-FLL	866-FLW	866-MAL	866-PTB	866-STB	9763 x Trim Designation

*** Cylinder Override is available with a 306 Aux Control

Note: Thumb piece trims for 63 and 66 function devices are identical and are identified as 66 function when trim is ordered separately

Note: Pulls and thumb piece trims are not available in 14, 15, 26 or 26D

Available Finishes

SARGENT Finishes	BHMA Finishes
03	605
04	606
09	611
10	612
10B	613
10BE	613E
10BL	614
14	618
15	619
20D	624
26	625
26D	626
32	629
32D	630
BSP	—
WSP	—

How to order:	Options	Series	Function	Trim	Hand	O/S Finish	I/S Finish	Door Width	Door Height	AFF
	11-	97	13	ETL	RHR	15	32D	36"	84"	36"

Experience a safer and more open world

1-800-727-5477 • www.sargentlock.com



9900 Series Wide Stile Mortise Lock Exit Device

90 Series Exit Devices

SARGENT®

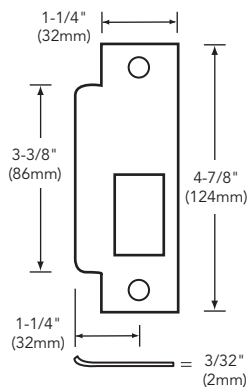
ASSA ABLOY



Specifications

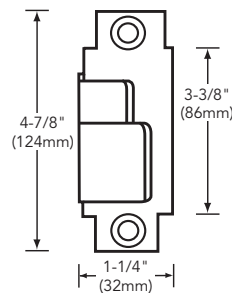
For Doors	Wood or metal. 1-3/4" (44.5mm) thick standard. Other door thickness, consult factory. 4-1/2" (114mm) minimum stile
Mounting	Supplied standard with wood and machine screws. Through-bolts available on order.
Chassis Cover	Brass, bronze or stainless steel
Chassis	Nonferrous alloy
Crossbar	1" brass, bronze and stainless steel tubing. Specify 42- for reinforced cross bar.
Hand	Handed, please specify hand when ordering
Mortise Lock	900 Series Mortise Lock, non-reversible
Dogging	Standard Allen key dogging (Not available on fire rated devices)
Strike	C908 standard for panic and fire rated
Fire Exit Hardware	See chart page 3
Certification/Compliance ANSI	ANSI/BHMA156.3 - 2014 Grade 1 ADA Compliant

C908 Strike



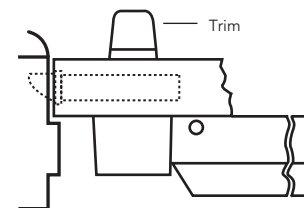
- Curved lip ANSI A115.1
- Handed. 1-1/4" lip standard
- Longer, lips in increments of 1/4" through 2-7/8" available
- Black nylon coated

815 Open Back Strike

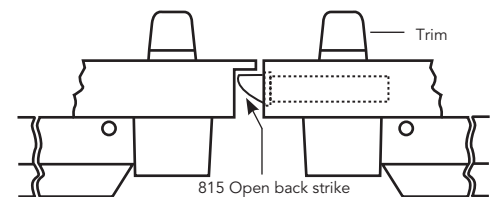


- ANSI A115.14 Open Back
- Beveled 1/8" in 2"
- Specify hand of active door
- "B" label
- Required for pairs of doors with 9700 and 9900 on pair
- Black nylon coated

Single Door



Pair of Doors



Copyright © 2006-2024, Sargent Manufacturing Company, an ASSA ABLOY Group company. All rights reserved. Reproduction in whole or in part without the express written permission of Sargent Manufacturing Company is prohibited.

90128 01/234

10

1-800-727-5477 • www.sargentlock.com

Experience a safer
and more open world

9900 Functions and Trim

90 Series Exit Devices

700 Series ET Trim



Exits with ET Trim, specify lever design after the ET designation (e.g., ETL)

Lever Designs for ET Controls

A, B, E, F, J, L, P, W

Also available with Coastal Series & Studio Collection Levers

Note: Voltage must be specified for 73, 74, 75 & 76 function ET trims (12v or 24v)

SARGENT Function Numbers	ANSI Function Numbers	Description & Cylinder Info (1-3/4" Door)	ANSI Type 3 8900 Panic & Fire
04	03	Night Latch Key Retracts Latch #46 Cylinder Supplied	9904 x ET_
10	01	No outside Operation (No Cylinder)	9910
10	02	No outside Operation (No Cylinder) ET Control is used as Pull Only	9910 x ET_
13	08	Key Outside Unlocks/locks Trim #41 Cylinder Supplied	9913 x ET_
15	14	Passage Only (No cylinder)	9915 x ET_
73		Electrified ET Trim - Fail Safe Power Off, Unlocks Lever (No Cylinder)**	9773 x ET_
74		Electrified ET Trim - Fail Secure Power Off, Locks Lever (No Cylinder)**	9774 x ET_
75++		Electrified ET Trim - Fail Safe Power Off, Unlocks Lever, Key Retracts Latch #46 Cylinder Supplied	9975 x ET_
76**		Electrified ET Trim - Fail Secure Power Off, Locks Lever, Key Retracts Latch #46 Cylinder Supplied	9976 x ET_

Note: Exit devices are available in all standard finishes, except 14, 15, 26 & 26D. With these finishes, exit devices are supplied in 32 or 32D to match accordingly. For nickel finishes, specify 14/32 or 15/32D to receive nickel finished trims and stainless exit devices

++ 75 Function without cylinder is available as a 73 Function

** 76 Function without cylinder is available as a 74 Function

Options

9900

Mechanical Options:

- 12-
- 23-
- 31-
- 36-
- 37-
- 42-
- 54-
- 76-
- 85-
- 86-
- 87-
- CPC-
- *** SG-
- TB-

Cylinder Options:

- 10-
- 10-21-
- 10-63-
- 11-
- 11-21-
- 11-60-
- 11-63-
- 11-64-
- 11-70-7P-
- 11-72-7P-
- 11-73-7P-
- 11-65-73-7P-
- 21-
- 22-
- 51-
- 52-
- 60-
- 63-
- 64-
- 70-
- 72-
- 73-
- 65-73-
- 65-73-7P-
- 73-7P-
- 81-
- 82-
- F1-82-
- 83-
- F1-83-
- 84-
- BR-
- LC-
- *SC-
- *SE-

* Options are not available with the following functions: 04 x ET, 75 & 76
*** Only available with 15, 26D, and 32D finishes

Pull & Thumb Piece Trim Section

Trim Designations

- Use three letter designations (Ex "PTB") when ordering the exit device with trim
- Use the six digit designation (Ex "866-MAL") when ordering trim without an exit device, always specify finish & hand

SARGENT Function Numbers

ANSI Function Numbers

Description & Cylinder Info. (1-3/4" Door)



Series



9900 Panic & Fire

SARGENT Function Numbers	ANSI Function Numbers	Description & Cylinder Info. (1-3/4" Door)	814-FLL	814-FLW	814-MAL	814-PTB	814-STB	9900 Panic & Fire
04	03	Night Latch-Key Retracts Latch #41 Cylinder Supplied	814-FLL	814-FLW	814-MAL	814-PTB	814-STB	9904 x Trim Designation
10	02	No O/S Operation or Cylinder (Pull Only)	810-FLL	810-FLW	810-MAL	810-PTB	810-STB	9910 x Trim Designation
28	15	Passage Only (No cylinder)	828-FLL	828-FLW	828-MAL	828-PTB	828-STB	9928 x Trim Designation
63	05	Key Outside Unlocks/locks Trim #41 Cylinder Supplied	866-FLL	866-FLW	866-MAL	866-PTB	866-STB	9963 x Trim Designation

Note: Thumb piece trims used with mortise lock exit devices are handed

Note: Thumb piece trims for 63 and 66 function devices are identical and are identified as 66 function when trim is ordered separately

Note: Pulls and thumb piece trims are not available in 14, 15, 26 or 26D

How to order:	Options	Series	Function	Trim	Hand	O/S Finish	I/S Finish	Door Width
	10-SG-	99	13	ETL	RHR	26	32	36"

Experience a safer and more open world

1-800-727-5477 • www.sargentlock.com

9400 Series Narrow Stile Concealed Vertical Rod Exit Device

90 Series Exit Devices

SARGENT®

ASSA ABLOY



Specifications

For Doors	Metal doors with 1-3/4" (44.5mm) thickness only. Requires proper reinforcements
Mounting	Supplied standard with machine screws.
Chassis Cover	Brass, bronze or stainless steel
Chassis	Nonferrous alloy
Crossbar	1" brass, bronze and stainless steel tubing.
Hand	Field Reversible. Order as RHRB or LHRB
Dogging	Standard Allen key dogging Less dogging available, special order (Not available on fire rated devices)
Strikes	94-2390 top strike pack; 94-2391 bottom strike pack
Rod	3/8" solid steel (top); 1/2" steel tubing Rods for doors 8'6" standard Rods for doors 8'6" to 10'8" optional
Trim	Night Latch Cylinder Retainer with 04 function; 862, 863, 864 pulls available separately
Opening Height	8'6" standard to 10'8" optional
Stile Width	2-1/8" minimum with 1/2" stop, single door; 1-3/4", pair of doors
Projection	4" (102mm); 2-7/8" (74mm) depressed.
Backset	1-3/8" on single door with 3/8" stop; 1" on pair of doors without mullion
Cylinder	41 Mortise cylinder Supplied with 9404 / 12-9404 only; Cylinder kit includes: Cylinder, Night Latch Cylinder Retainer, and mounting screws
Warranty	1 Year Limited
Certifications / Compliance	ANSI/BHMA 156.3 Grade 2; A117.1 ANSI Accessibility Code ADA Compliant
Fire Exit Hardware	See chart on page 3

Options

9400

Mechanical Options:

12-
85-

Cylinder Options:

10-
11-
11-21-
82-
F1-82-
BR-
SC-
SE-

9400 CVR Exit Device

The 9400 Series Exit Device is available with two functions:

9404 - Night latch

9410 - No outside operation (no cylinder)

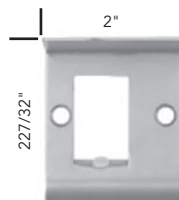
9400 Night Latch Cylinder Retainer

- Key retracts latch
- Standard with 9404 & 12-9404
- Supplied with a # 41 Cylinder



94-2390 Top Strike

- Standard Top Strike for 9400



94-2391 Bottom Strike

- Standard Bottom Strike for 9400
- Strike to be flush with finish floor

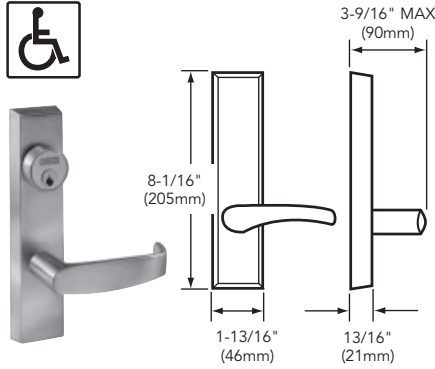


How to order:	Options	Series	Function	Hand	Finish	Door Width	Door Height	AFF
	12-	94	04	RHR	32D	36"	84"	36"

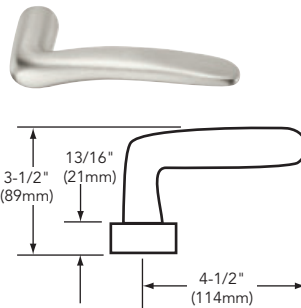
ET Trim & Levers

90 Series Exit Devices

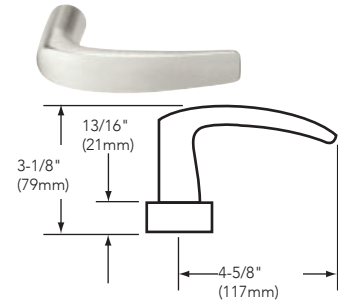
ET Lever Controls



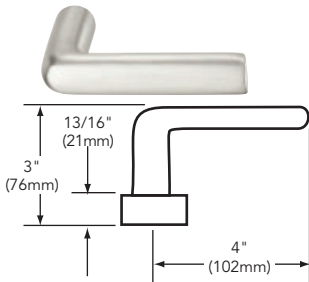
A Lever (handed)



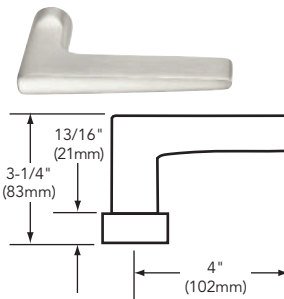
B Lever



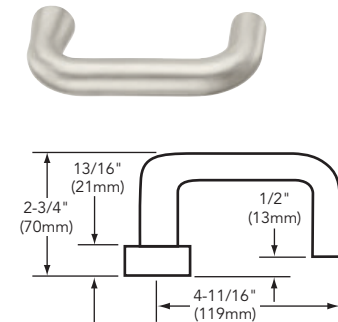
E Lever



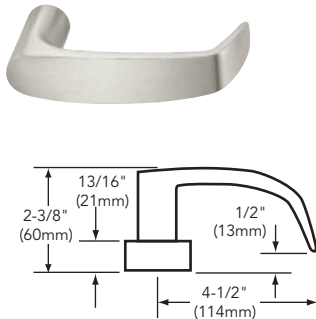
F Lever



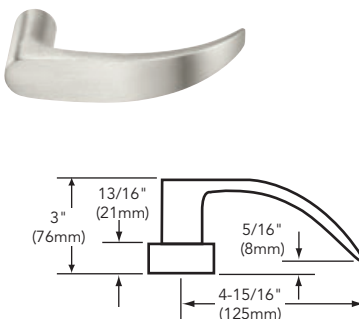
J Lever



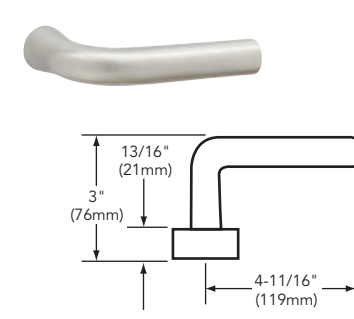
L Lever*



P Lever*



W Lever



Studio Collection Levers

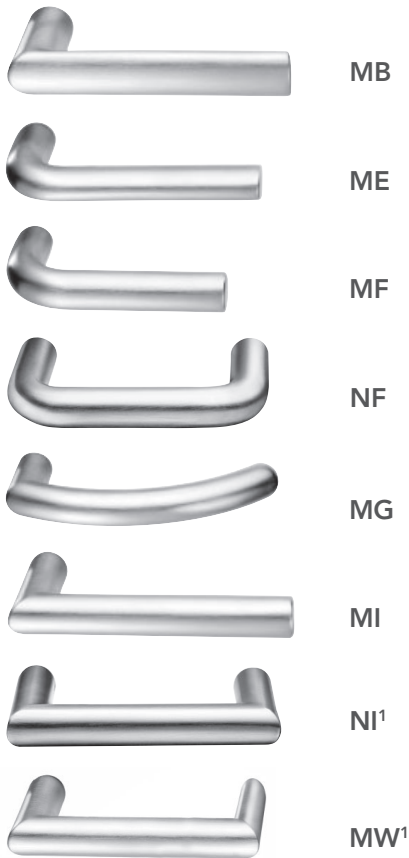
90 Series Exit Devices

Studio^{collection}

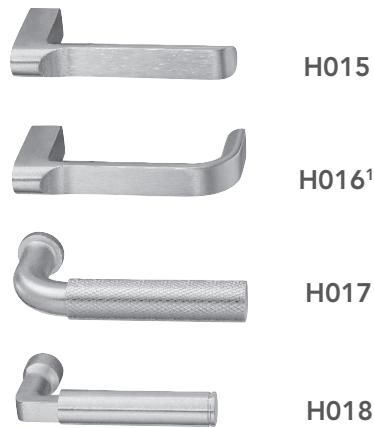
Features

- Studio Collection levers can be used with all SARGENT 90 Series exit devices with ET trim
- All levers - solid brass or stainless steel
- Available with all lever functions
- Finishes available: 03, 04, 09, 10, 10B, 10BE, 10BL, 14, 15, 20D, 26, 26D, 32 & 32D, BSP, WSP
- Always specify hand

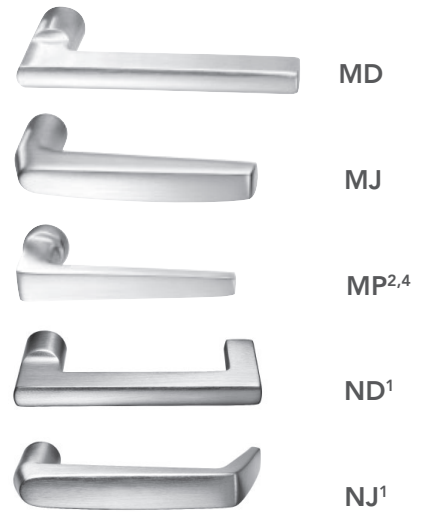
Aventura Series



Berlin Series



Centro Series



Copyright © 2006-2024, Sargent Manufacturing Company, an ASSA ABLOY Group company. All rights reserved.
Reproduction in whole or in part without the express written permission of Sargent Manufacturing Company is prohibited.

1. Lever returns within 1/2" (13mm) of door face
2. Levers are not available with Simpli™ Roseless trim
4. Not available in 32D or 32 finish

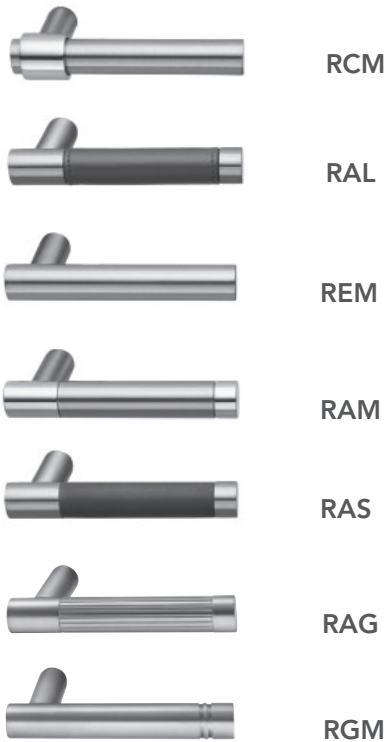
Studio Collection Levers

90 Series Exit Devices

Coastal Series



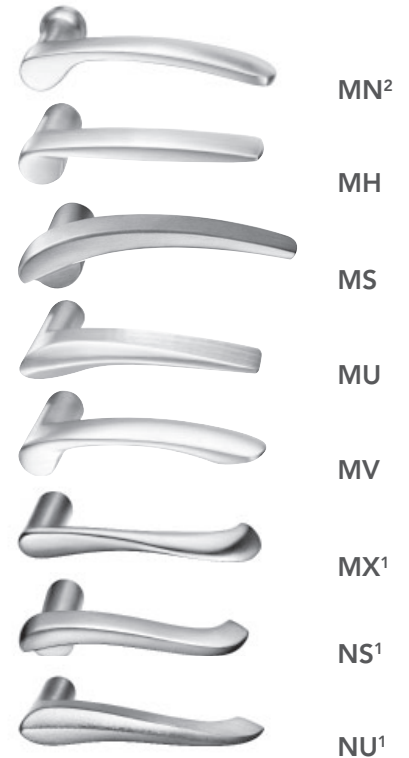
Gramercy Series^{2,3}



Notting Hill Series⁴ (Handed Levers)



Odéon Series⁴



1. Lever returns within 1/2" (13mm) of door face
2. Levers are not available with Simpli™ Roseless trim
3. The Gramercy Levers are customized. Refer to the page 26 for ordering information
4. Not available in 32D or 32 finish

Copyright © 2006-2024, Sargent Manufacturing Company, an ASSA ABLOY Group company. All rights reserved.
Reproduction in whole or in part without the express written permission of Sargent Manufacturing Company is prohibited.

Thumb Piece Pull Trim

90 Series Exit Devices

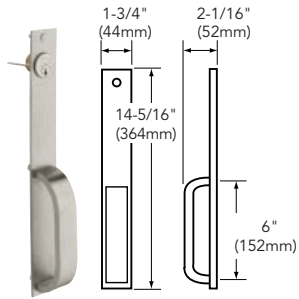
Pulls and Thumb Piece Trims

Pulls and trims are through-bolted.

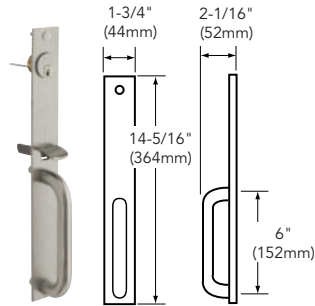
Through-bolting of trim allows for perfect alignment of thumb pieces, cylinders and spindles.

Through-bolts pass through the chassis of the devices and are bolted directly to the trim.

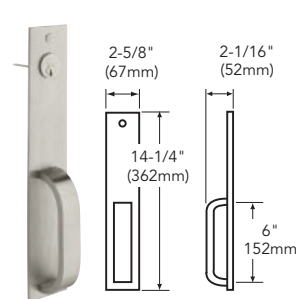
FLL



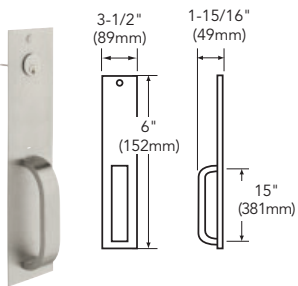
FLW



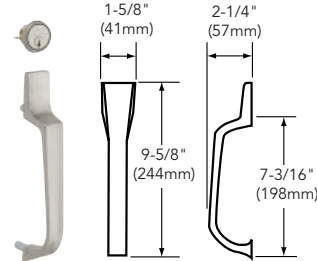
MAL



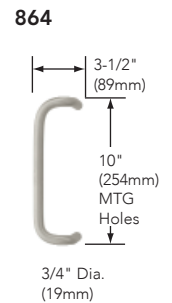
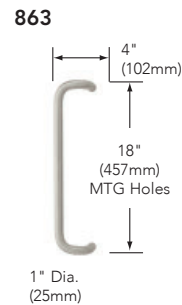
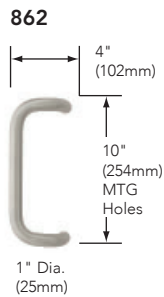
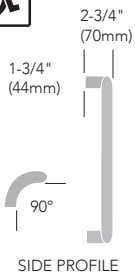
PTB



STS



Pulls



Electromechanical Functions and Accessories

90 Series Exit Devices

SARGENT®

ASSA ABLOY

73 & 75 Electromechanical (Fail Safe) 74 & 76 Electromechanical (Fail Secure)



- 73 Functions: Fail Safe - Power Off, Unlocks Lever (No Cylinder)
- 74 Functions: Fail Secure - Power Off, Locks Lever (No Cylinder)
- 75 Functions: Fail Safe - Power Off, Unlocks Lever includes Cylinder override
- 76 Functions: Fail Secure - Power Off, Locks Lever includes Cylinder override

- 75 & 76 functions: the key retracts latch
- Exit Device always allows egress
- Features EcoFlex®
- Operates from 12-24 VDC. (Voltage must be specified)
- Actuator Draw = 400mA inrush / 15mA continuous @ 12VDC / 24VDC
- Provided with ElectroLynx® 8-Pin Connector

Requirements for Electrical and Data Transfer

To answer the demand for “smart” electronic access control and locking solutions that require fast, easy, and cost-effective installation, ASSA ABLOY Group brands use the ElectroLynx® standardized plug-in connectors and color-coded wiring system.

With ElectroLynx®, doorway components come pre-wired for easy hookup to the power source. Key to the system is the transfer device hinge that carries power from the frame to the locking hardware.

Features of ElectroLynx®:

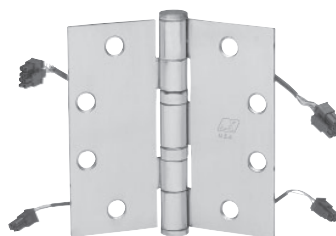
- Makes it easy to bring power to the locking hardware
- Wires have connectors that snap together, like plugging a telephone into a jack

To connect Electrified Trim to the electronic access control system, the following items are required:

- Electrified Trim (73, 74, 75 & 76 function ET's)
- ASSA ABLOY Door Group pre-wired door, or ElectroLynx® retrofit cable (order from McKINNEY)
- Electronic transfer device (ElectroLynx® electronic transfer hinge or Electrical Power Transfer with standard hinge, from McKINNEY)
- ElectroLynx® cable from the hinge to above the ceiling (order from McKINNEY)

Information regarding cable selection, hinge requirements and order strings can be found in the McKINNEY Transfer Device Solutions catalog. Consult 800-810-WIRE (9473) with questions on application specifications and requirements.

McKINNEY QC ElectroLynx® Hinges are recommended.



12VDC & 24VDC Power Supplies:



- UL Class 2 Listed
- Four 12V models and four 24V models available
- Integral battery charging capability keeps sealed lead acid gel/cell at full charge in case of line voltage failure (737-battery sold separately)
- Fused line voltage input with one, four, or eight DC outputs (depending on model)
- Each circuit can be individually turned on and off via a slide switch; the power status of each is shown by an LED
- In the event of a DC short the problem is confined to the zone of difficulty
- Fire alarm interface standard

SARGENT MODEL No.	DESCRIPTION
3521	12V - 1 AMP POWER SUPPLY
3541	12V - 3 AMP POWER SUPPLY
737	12V - 5 AMP HOUR BACKUP BATTERY

SARGENT MODEL No.	DESCRIPTION
3520	24V - 1 AMP POWER SUPPLY
3540	24V - 2 AMP POWER SUPPLY
3550	24V - 4 AMP POWER SUPPLY
3570	24V - 6 AMP POWER SUPPLY
738	24V - 5 AMP HOUR BACKUP BATTERY

Mullions: Aluminum, Steel and Electrified

90 Series Exit Devices

SARGENT[®]

ASSA ABLOY

Aluminum Mullions			
Product Designation	650A	980	L980
Description	Removable	Removable	Lockable
Material	Aluminum	Aluminum	Aluminum
Standard Finish	US28/Satin Anodized Aluminum	Prime Coat	Aluminum Prime Coat
Options	Specify "650A x 10B" for 313AN to match 10B	Specify "980A" for Anodized US28/ Satin Aluminum	Specify: "L980A" Anodized Aluminum Specify: "L980A x10B" for 313AN to match 10B
Stk Size	96"	86"	86"
Max Stk Height	120"	120"	120"
Pre-prepped	658 Strikes Included	No	No
Cylinder Size	Not Required	Not Required	#41
Shape	1-1/2" x 2-1/2"	T Shaped 2-1/2" x 3"	T Shaped 2-1/2" x 3"
Misc. Information and Accessories	Includes 651 Stabilizers and imbedded Weather Stripping Top Retainer 94-2050 Bottom Retainer 94-2051	Top Retainer - 511 Bottom Retainer - 502 Adapter for narrow transom: 507 - Aluminum Prime Coated 507A - Anodized Aluminum	All Cylinder Options Available Wall Mount Kit 98-2578 Top Ret Pack 98-2526 Bottom Ret Pack 98-2525 Cylinder Kit 980C1*

Electrified
EL980
Electrical Lockable
Steel
Gray Paint
Wall Mounting Kit: 98-2580 Top Ret Pack :98-2559
86"
120"
No
#46 Only
Rectangular 2" x 3"
For use with Electric Strikes and Monitoring, Quick Connect Wiring Supplied Cylinder Kit 980C2*

* Note: Cylinder Kits must be ordered separately

Steel Mullions					
Product Designations	HC980	980S	L980S	HCL980	12-HD980
Description	Hurricane Code	Standard Mullion	Lockable	Lockable Hurricane Code	Heavy Duty
Material	Steel	Steel	Steel	Steel	Steel
Fire Rated	Specify 12-HC980	Specify 12-980	Specify 12-L980	Specify 12-HCL980	Specify 12-HD980
Fire Rated Max Height	96"	96"	96"	96"	120"
Finish	Gray Paint	Gray Paint	Gray Paint	Gray Paint	Gray Paint
Stk Size	86"	86"	86"	86"	120"
Max Stk Height	96"	120"	120"	96"	120"
Pre-prepped	No	No	No	No	No
Cylinder Size	Not Required	Not Required	#41 Std (#42 & #43 available)	#41 Std (#42 & #43 available)	Not Required
Shape	Rectangular 2' x 3"	Rectangular 2' x 3"	Rectangular 2' x 3"	Rectangular 2' x 3"	Rectangular 2' x 3"
Misc. Information	Designed for severe wind load conditions due to hurricanes or windstorms. Tested to Dade County Protocols & ASTM Standards	Channel Iron & Malleable iron top & bottom retainers. Mullions longer than 86" must be ordered as 12- option x 120" length and cut to size in the field. Fire rating is valid only up to 96"	Fire rated for 8'0" x 8'0" paired openings Mullions longer than 86" must be ordered as 12- option x 120" length and cut to size in the field. Fire rating is valid only up to 96"	See Notes Below	12-HD980 is for pair of doors over 8'0" to 10'0" includes two piece strikes
Accessories	Top Ret Pack - 98-2599 Bottom Ret Pack - 98-2600 Top Retainer Shim Kit - 601	Top Ret Pack - 98-2190 Bottom Ret Pack - 98-2191 Top Retainer Shim Kit - 601	Wall Mounting Kit - 98-2579 Top Ret Pack - 98-2559 Bottom Ret Pack - 98-2556 Top Retainer Shim Kit - 601 Cylinder Kit - 980C1*	Top Retainer Pack: 98-2593 Bottom Retainer Pack: 98-2594 Top Retainer Shim Kit - 601 Cylinder Kit - 980C1*	Top Ret Pack - 98-2599 Bottom Ret Pack - 98-2600 Top Retainer Shim Kit - 601

* Note: Cylinder Kits must be ordered separately

Note for HC980/12-HC980 Mullions:

- Designed for severe wind load conditions due to hurricanes or tornadoes
 - Tested to Dade County protocols and ANSI 250.13 ASTM Standards and FEMA 361
 - 12- Fire labeled version
 - Replacement lock kits are available for lockable mullions
- Part numbers for each model are listed in the price book

HCL980 Mullion Information

- Model 12-HC-L980 may be supplied for doors UL fire rated up to and including 3 hrs not exceeding 8 ft in width and height
- Meets the following standards: ANSI 250.13, ASTM E330, ASTM 1886, ASTM 1996, TAS 201, TAS 202 & TAS 203

Lockable Mullion Cylinder Kit Options

Lockable mullions are shipped without cylinders. Order Cylinder Mullion Kit separately.

- L980, L980A, L980S & HC-L980 are 10, 10-21-, 10-63-, 11-, 11-21-, 11-60, 11-63-, 11-64-, 11-72-7P-, 11-65-73-7P-, 11-73-7P-, 21-, 22-, 60-, 63-, 64-, 70, 72-, 73-, 65-73-, 65-73-7P-, 73-7P-, 81-, 82-, F1-82-, 83-, F1-83-, 84-, SC- & SE-
- EL980 are 10, 10-21-, 10-63-, 11-, 11-21-, 11-60, 11-63-, 11-64-, 11-72-7P-, 11-65-73-7P-, 11-73-7P-, 21-, 22-, 60-, 63-, 64-, 70, 72-, 73-, 65-73-, 65-73-7P-, 73-7P-, 81-, 82- & F1-82-

Note: See page 20 for option details

Copyright © 2006-2024, Sargent Manufacturing Company, an ASSA ABLOY Group company. All rights reserved. Reproduction in whole or in part without the express written permission of Sargent Manufacturing Company is prohibited.

90128 01/234

18

1-800-727-5477 • www.sargentlock.com

Experience a safer and more open world

Mullion Accessories, Stabilizers and Door Coordinators

90 Series Exit Devices

SARGENT®

ASSA ABLOY

Mullion Accessories

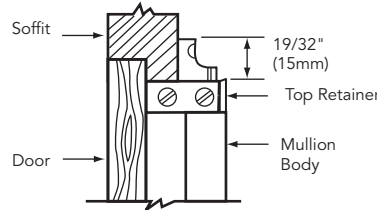
RK980

Latchbolt assembly retrofit kit with top and bottom retainers for 980 aluminum mullion.



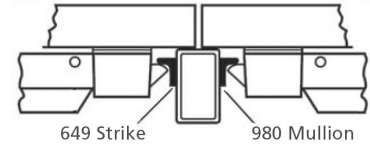
507 Narrow Transom Bars Adapter

- Available with 980 and 980A
- Required when soffit is 1-1/4" (32mm) to 2" (51mm) wide



980S Mullion Application

- All steel mullions are 2" x 3"

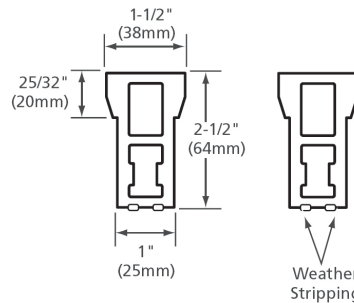


651 Mullion Stabilizer Kit

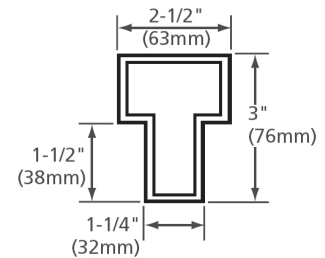


- Stabilizer block
- Furnished standard w/650A Mullion
- Order as a 651 Kit

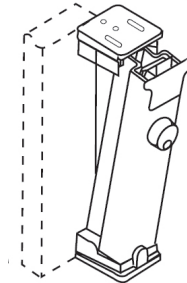
650A Mullion



980 Mullion & L980 Lockable Mullion



Lockable Mullion



980C1 Cylinder Mullion Kit



- Lockable mullions only
- Aluminum and steel
- Includes cylinder and collar
- Available in 32D and 10B finish

Mullion Weights & Packaging

Product		Avg Wt
Exit Device with Trim	15 lbs	1 ea
980 Mullion	18 lbs	1 ea
12-980 Mullion	40 lbs	1 ea
650A Mullion	18 lbs	1 ea

980C2 Cylinder Mullion Kit



- Lockable mullions
- Electrified only
- Includes cylinder and collar
- Available in 32D and 10B finish

Cylinder Nut Wrench



This wrench simplifies the installation and removal of mortise cylinder nuts used on 700 Series Auxiliary Control (80 Series ET Trim).

- Part number 97-0568

Experience a safer and more open world

1-800-727-5477 • www.sargentlock.com

19

Copyright © 2006-2024, Sargent Manufacturing Company, an ASSA ABLOY Group company. All rights reserved. Reproduction in whole or in part without the express written permission of Sargent Manufacturing Company is prohibited.

90128 01/24

Mechanical Options

90 Series Exit Devices

Mechanical Options:

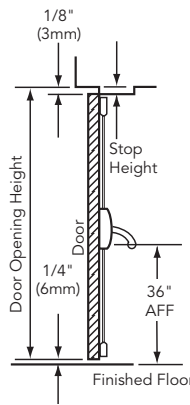
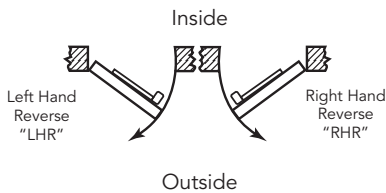
Fire Rated	12-	UL Fire Label Exit hardware
SVR Bolt	14-	Sliding bolt bottom case for 9700
Alternate Strike	23-	4-7/8" (124mm) ANSI flat lip strike (for 9900 Series Mortise Lock Exit Devices)
Thick Doors	31-	Doors over 1-3/4" and/or Panels (Specify door thickness, panel thickness & location as required) (Not available with 9400 Devices) Extended lip strike supplied for 9900 Series
Security Fasteners	36-	Six lobe security head screws
	37-	Spanner head screws
Reinforced Cross Bar	42-	Reinforced Cross Bar (Not available with 9400 Devices)
Electrical Options	54-	Monitors ET Lever movement with Internal micro switch in ET Control
Tactile Warning Options	76-	Tactile Warning - Milled Outside Lever (Not available with Studio & Coastal Levers and the A Lever)
	85-	Tactile Warning - Abrasive strip on Cross Bar
	86-	Tactile Warning - Abrasive coating on Outside Lever
	87-	Tactile Warning - Abrasive strip on Cross Bar & Abrasive coating on Outside Lever
Finish Protection	CPC-	Clear Powder Coat (Available for 32 & 32D Finishes)
	SG-	MicroShield® antimicrobial clear powder coat (only available with 15, 26D and 32D finishes)
Through Bolts	TB-	Through-bolts for 9900, 9800 & 9700 Devices

Note: Tactile Warning with Knurled Cross Bars is available, please consult factory (not available with 9400 devices)

Mounting Heights

- 36" (914mm) Cross Bar above finished floor for standard application

Hand



Cylinder Options

90 Series Exit Devices

Cylinder Options:

Degree Key System	DG1-	SARGENT Degree Key System Level 1 (bump resistant with patented keys)
	DG1-21-	Degree Level 1 Construction Master Keying
	DG1-60-	Degree Level 1 Removable Disposable Construction Core
	DG1-63-	Degree Level 1 Removable Core
	DG1-64-	Degree Level 1 Removable Construction Keyed LFIC
	DG1-65-	Degree Level 1 Unassembled/Uncombined Core
	DG2-	SARGENT Degree Key System Level 2 (geographically exclusive; bump and pick resistant)
	DG2-21-	Degree Level 2 Construction Master Keying
	DG2-60-	Degree Level 2 Removable Disposable Construction Core
	DG2-63-	Degree Level 2 Removable Core
	DG2-64-	Degree Level 2 Removable Construction Keyed LFIC
	DG2-65-	Degree Level 2 Unassembled/Uncombined Core
	DG3-	SARGENT Degree Key System Level 3 (geographically exclusive; UL437 certified; bump and pick resistant)
	DG3-21-	Degree Level 3 Construction Master Keying
	DG3-60-	Degree Level 3 Removable Disposable Construction Core
Signature Key System	10-	SARGENT Signature Key System (Not Available with other Key Systems)
	10-21-	SARGENT Signature Construction Key System (Lost Ball)
Signature- LFIC Removable Core	10-63-	SARGENT Signature Removable Core Cylinder
XC- Key System	11-	XC Key System (Not available with other Key systems unless specified)
	11-21-	XC- Construction Key System (Lost Ball)
XC- Large Format Interchangeable Core (Removable Core)	11-60-	Device to accept XC- Permanent Removable Core, Disposable plastic Core- provided
	11-63-	Device provided with XC- Removable Core Cylinder - (Includes masterkeying, grand masterkeying)
	11-64-	Device provided with Keyed construction core to accept XC- Removable Permanent Core (ordered separately)
XC- Small Format Interchangeable Core	11-70-7P-	Device to accept XC- SFIC (7-Pin) XC- Permanent Cores, plastic disposable core provided
	11-72-7P-	Device to accept XC- SFIC (7-pin Keyed Construction Core provided) cylinder Permanent core ordered separately
	11-73-7P-	Device provided with XC- Small Format 7-Pin interchangeable core (Includes masterkeying, grand masterkeying)
	11-65-73-7P-	Device provided to accept XC- Uncombined 7-Pin SFIC (Permanent) Core - (Packed Loose)

Note: For V-10 Cylinders and information, contact ASSA, Inc @ 800-235-7482

Cylinder Options

90 Series Exit Devices

SARGENT[®]

ASSA ABLOY

Cylinder Options:

Construction Key Systems	21-	SARGENT Lost Ball Construction Keying for Conventional, XC and Signature Series (N/A with 63- or 73-)
	22-	SARGENT Construction Split Key System for Conventional Cylinders (Existing Systems Only) (N/A with 10-, 11-, 63- or 73-)
Old Style Removable Core	51-	Removable Core Cylinder (Old Style) provided (existing systems only)
	52-	Removable Construction Core (Old Style) Permanent core ordered separately (existing systems only)
Large Format Interchangeable Core (Removable Core)	60-	Device to accept SARGENT Permanent Removable Core, Disposable plastic Core provided (Permanent Cores ordered separately)
	63-	Device provided with Removable Core Cylinder - (Includes masterkeying, grand masterkeying)
	64-	Device provided with Keyed construction core to accept Removable Permanent Core (ordered separately)
Small Format Interchangeable Core	70-	Device to accept 6- or 7-Pin SFIC Permanent Cores, plastic disposable core provided
	72-	Device to accept 6- or 7-Pin SFIC (6-Pin Keyed Construction Core provided) Cylinder (Permanent Core ordered separately)
	73-	Device provided with 6-pin SFIC (Includes masterkeying, grand masterkeying)
	65-73-	Device provided to accept Uncombined 6-Pin SFIC (Permanent) Core - (Packed Loose for field keying)
	65-73-7P-	Device provided to accept Uncombined 7-Pin SFIC (Permanent) Core - (Packed Loose for field keying)
	73-7P-	Device provided with Small Format 7-Pin Interchangeable Core (Includes masterkeying, grand masterkeying)
Keso & Keso F1	81-	Device provided with housings to accept Keso (83) & Keso F1 (F1-83-) removable cores. (Permanent Cores ordered separately)
	82-	Device provided with SARGENT Keso Security Cylinder
	F1-82-	Device provided with SARGENT Keso F1 Security Cylinder (Patented)
	83-	Device provided with SARGENT Keso Security Removable Core cylinder
	F1-83-	Device provided with SARGENT Keso F1 Security Removable Core cylinder (Patented)
	84-	Device provided with SARGENT Keso Construction Cores (Permanent Cores ordered separately)
Added Security	BR-	Bump Resistant Cylinder (Available with Conventional & Conventional XC Cylinders Only)
Less Cylinder	LC-	Less Cylinder - SARGENT supplies standard blocking rings for 1-1/8" Cylinders (For longer cylinders order collars/rings separately)
Schlage Keyways	SC-	Schlage C keyway cylinder, 0 bitted
	SE-	Schlage E keyway cylinder, 0 bitted

Kits

90 Series Exit Devices

Rod Replacement Kits

Product	Top Rod Kit *	Bottom Rod Kit **
3	670T	670B

Note: Finish Information Required

* Door Height & Rail Location Required

** Rail Location Required

Through-bolts

Device	Through-bolts	*Ordering
9800	4	97-2578
9900	4	97-2578
12-9800	4	97-2578
12-9900	4	97-2578
9700	14	97-2579
12-9700	14	97-2596

*Specify Finish

To order Through-bolts, specify TB- Option. Examples: TB-9804 x FLL x RHR x 32D. Through-bolts and mortise nuts must be specified to mount fire exit devices on composite fire doors with steel, wood or plastic covering.

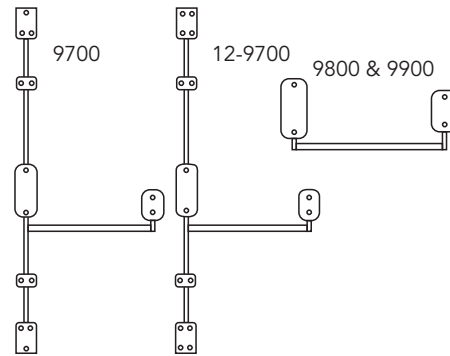
571 Rod Extension Kits

- For use on surface mounted vertical rods
- Kits available in 6" (15.2cm), 12" (30.4cm) or 18" (45.7cm) lengths

To order: Specify length and finish

Example: 571-6" x 26D

Center Bearing Bracket



All exit devices used on doors 48" wide and wider will be furnished with a matching center bearing bracket at an additional charge. This bracket assists in supporting the long crossbar and adds an extra spring to help counter balance the crossbar.

Finishes and Finish Care

90 Series Exit Devices

SARGENT®

ASSA ABLOY

Finishes

SARGENT #	BHMA#	Description	How to clean	Avoid these cleaners
3	605	Polished brass, clear coated	Mild non-abrasive detergent with damp cloth or sponge	Abrasives cleaners, bleach solvents, steel or bronze wool
4	606	Satin brass, clear coated		
9	611	Polished bronze, clear coated		
10	612	Satin bronze, clear coated		
BSP	—	Black Suede Powder Coat		
WSP	—	White Suede Powder Coat		
10B	613	Oxidized bronze, oil rubbed	Lemon oil polished with dry cloth	Abrasives cleaners, bleach solvents, steel or bronze wool
10BE	613E	Dark oxidized satin bronze, equivalent	Mild non-abrasive detergent with damp cloth or sponge	Abrasives cleaners, bleach solvents, steel or bronze wool
10BL+	614	Oxidized satin, bronze, clear coated		
20D	624	Statuary dark bronze, clear coated		
32**‡	629**	Polished stainless steel	Plastic pad or bronze wool	Cleaners, solvents, bleach, steel wool
32D**‡	630**	Satin stainless steel		

+ **Note:** Finish not available, 9400 / 12-9400

** Exit devices are available in all standard finishes, except 14, 15, 26 & 26D. With these finishes, exit devices are supplied in 32 or 32D to match accordingly. 26 or 26D is automatically supplied as a trim finish when 32 or 32D is specified for the exit device finish. For nickel finishes, specify 14/32 or 15/32D to receive nickel finished trims and stainless exit devices.

Note: Arms Nickel Plated to match 32 and 32D

Note: FLW Trim is NOT available in 32 or 32D

Note: Pulls and thumb piece trims are not available in 14, 15, 26 or 26D except FLW which is available in 14 and 15.

Lock/Cylinder Finish

Device Finish	Cylinder/Core*
03, 04, 09, 10, 10B, 10BE, 10BL, 20D	04
32, 32D, WSP	15
BSP	BSP

*Finish when cylinder provided with device

To avoid discoloration and pitting:

- Keep stainless steel away from contact with other metals
- Avoid cleaning with mineral acids or chlorine products
- Avoid cleaning with abrasive products like sandpaper or steel wool

To maintain the finish:

- Remove any contamination before damage occurs
- Protect with a metal polish or car wax

How to Order

90 Series Exit Devices

How to Order Exit Devices

Example Order:

Options	12- 99	75	ETMR	12VDC 24VDC	RHR LHR	26D	32D	36"	84"	36"																										
Options	Device Type	Function	Trim	Voltage	Hand Finish	Outside Finish	Inside Finish	Door Width	Opening Height	AFF																										
Available Options Listing Pgs 18-19	99 - Mortise	04 - Night Latch	For ET trim	12VDC	RHR	Available Finishes page 25	Inside Finish Available Finishes page 24	If door width is supplied Cross Bar will be cut to size	Required for Vertical Rod Exit Devices	36" Cross Bar above finished floor for std application																										
	98 - Rim	06 - Night latch	specify ET followed by Lever design, See pages 13-16	24VDC	LHR																															
	97 - SVR	10 - Dummy	For Thumb Piece Trims and Pulls specify Trim Designation as specified by Device Type	Voltage required for Solenoid Controlled Functions - 73, 74, 75 & 76																																
	94 - CVR Narrow	13 - Classroom																																		
		15 - Passage	For 300 Series Auxiliary Controls; specify 306 or 313 with 10, 73 or 74 Function Devices																																	
		28 - TP Passage																																		
		63 - TP Classroom																																		
		73 - Solenoid Fail Safe																																		
		74 - Solenoid Fail Secure																																		
		75 - Solenoid Fail Safe w/Cyl																																		
	76 - Solenoid Fail Secure w/Cyl																																			

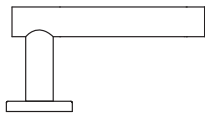
Legend
AFF - Above Finish Floor
ET - SARGENT External Lever Trim
CVR - Concealed Vertical Rod
TP - Thumb Piece Trim
SVR - Surface Vertical Rod

Ordering Gramercy Series Levers

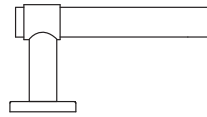
90 Series Exit Devices



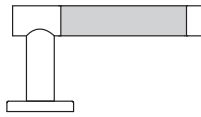
Gramercy Series Levers



REM, RGM



RCM



RAG, RAL, RAM, RAS

Gramercy Finish Codes

ANSI/BHMA Finish	SARGENT Finish	Gramercy Code*	Description
630	32D	30	Satin Stainless Steel
629	32	29	Bright Stainless Steel
613E	10BE	3E	Dark Oxidized Satin Bronze, Equivalent
N/A	BSP	BS	Black Suede Powder Coat
N/A	WSP	WS	White Suede Powder Coat
N/A	N/A	BK	Black (Santoprene™ or leather insert)
N/A	N/A	BN	Brown (leather insert)

*Code used to specify Gramercy Series finishes only. Use available finishes list to specify desired finish when ordering.

Gramercy Lever Descriptions & Available Finishes

Lever Designation	Lever Description	Available Finishes (AS ORDERED)
RAG	Grooved Insert	3030, 2929, 2930, 3029, 3E3E, BSBS or WSWS
RAL	Leather Insert	30BK30, 30BN30, 29BK30, 29BN30, 3EBK3E, BSBKBS, WSBKWS, 3EBN3E, BSB-NBS or WSBNWS
RAM	Satin Metal Insert	2930 only (SEE NOTATION)
RAS	Santoprene Insert	30BK30, 29BK29, 3EBK3E, BSBKBS or WSBKWS
RCM	Raised Band	2930, 2929, 3030, 3029, 3E3E, BSBS or WSWS
REM	Plain	2930, 2929, 3030, 3029, 3E3E, BSBS or WSWS
RGM	Two Grooves	2929, 3030, 3E3E, BSBS or WSWS

Notes for Two-tone finishes:

- 2930 Finish: grip of lever is 32D, balance of lever is 32. Rose/escutcheon and lock finish will be 32
- 3029 Finish: grip of lever is 32, balance of lever is 32D. Rose/escutcheon and lock finish will be 32D

To order Gramercy Series levers with SARGENT products, see the examples below. When specifying finish, use the last two digits of the ANSI/BHMA standard finish code, i.e. use "29" for polished stainless, ANSI/BHMA finish 629

How to specify: 90 Series Exit Devices x ET trim with Gramercy levers

Gramercy Lever Information													
Options	Series	Functions	Voltage	Trim	Lever	Shank Finish*	Insert Finish	Grip Finish	Hand	Inside Finish	Door Width	Opening Height	AFF
select from pages 19-20	90 Series	select from pages 4-12	specified for electrical functions		Leather insert	polished or satin stainless	black or brown	polished or satin stainless	RHR, RH, LHR, or LH	select from page 24		For vertical rod devices	Above Finished Floor
54-	97	75	12VDC	ET	RAL	29	BN	29	RH	32D	36"	84"	36"

Gramercy Levers are available with E2, E3, E4, O, CO, TO, LN, CR, TR roses and CE, TE, LE1, VN1 escutcheons

Architectural Specifications

90 Series Exit Devices

SARGENT®

ASSA ABLOY

Suggested Architect's Specification

- All exit devices must be listed under "panic hardware" in accident equipment list of Underwriters' Laboratories
- All exit devices, regardless of type, shall be of matching design
- Crossbar must have minimum wall thickness of .062" or be reinforced
- Main arm pivots shall be stainless steel
- Springs shall be stainless steel
- Crossbars and arms shall be counter balanced by springs in both center case and hinge style cases
- All exit devices shall be of chassis mounted unit construction with removable covers
- Top and bottom rods of vertical rod devices shall be a minimum of 3/8" diameter
- Where labeled fire doors are used as exits, they must be equipped with labeled fire exit hardware
- All crossbars on exit devices to be locked down by inside dogging feature accomplished by depressing crossbar and turning key

The ASSA ABLOY Group is the global leader in access solutions. Every day, we help billions of people experience a more open world.

ASSA ABLOY Opening Solutions leads the development within door openings and products for access solutions in homes, businesses and institutions. Our offering includes doors, frames, door and window hardware, mechanical and smart locks, access control and service.



SARGENT Manufacturing Company
100 Sargent Drive
New Haven, CT 06511 USA
800-727-5477
www.sargentlock.com

Founded in the early 1800s, SARGENT® is a market leader in locksets, cylinders, door closers, exit devices, electro-mechanical products and access control systems for new construction, renovation, and replacement applications. The company's customer base includes commercial construction, institutional, and industrial markets.

Copyright © 2006-2024, Sargent Manufacturing Company, an ASSA ABLOY Group company. All rights reserved. Reproduction in whole or in part without the express written permission of Sargent Manufacturing Company is prohibited. Patent pending and/or patent www.assaabloydss.com/patents.