

Cylinders & Components

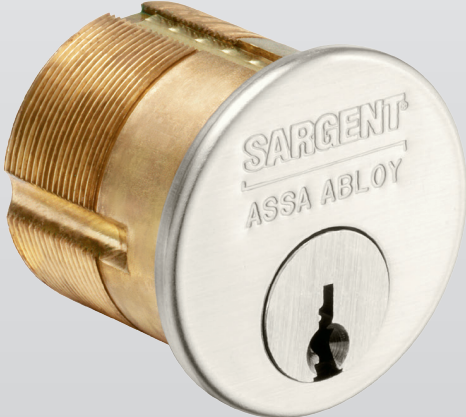
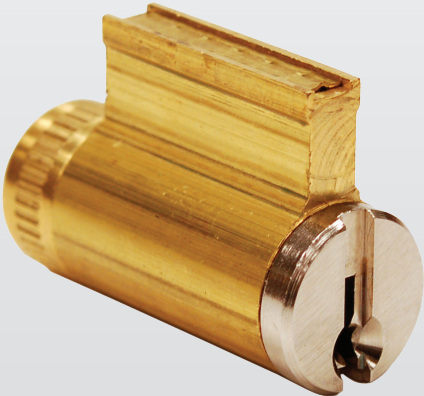
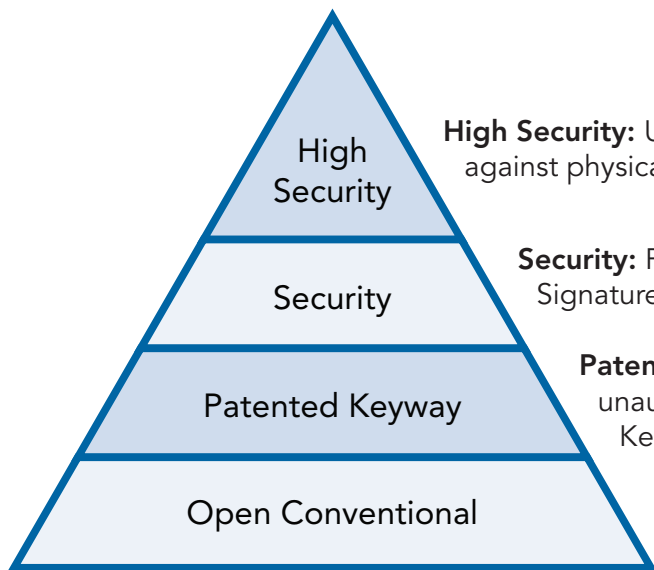


Table of Contents

Cylinders and Components

SimpleK Key Management Software	3
SimpleK Software Order Form	4
Bored and Auxiliary Lock Cylinders	5-6
Mortise Cylinders	7-8
Rim Cylinders	9
Large Format Interchangeable (Removable) Cores	10-12
Small Format Interchangeable Cores	13-14
Old Style Removable Cores Mortise/Rim Cylinders	15
Cylinder Parts: Bored and Auxiliary Locks	16
Cylinder Parts: Mortise Cylinders	17
Cams for Mortise Cylinder	18
Rosettes and Blocking Rings	19
Cylinder Parts: Rim Cylinders	20
Tools	21
Construction Master Keying Lost Ball, Split Key Construction Keying Kit (Lost Ball)	22
Bump Resistant Cylinders	23
Bitting Dimensions	24
Pins and Springs	25
Keying Kits and Depth Key Sets	26
Key Sections/Keyways	27
Key Blanks	28
Keys and Bitting Lists	29
Visual Key Control and Tamper Proof Packaging	30
Master Keying and Cylinder Terms	31
Master Key System Order Forms	32

SARGENT Cylinder & Key Control Products



High Security: UL437 Drill & Pick-Resistant Systems offer protection against physical attacks. Includes Degree DG3, and UL-Keso.

Security: Protection against picking. Includes Degree DG2, Signature, Keso and Keso F1.

Patented Keyway: Keys are protected against unauthorized duplication. Includes Degree DG1, and Keso F1.

Open Conventional: Legacy systems whose patents have run out and are not protected.

SimpleK Master Key System and Key Management Software

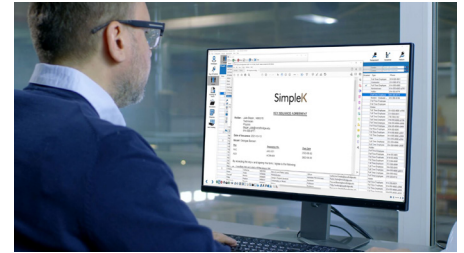
Cylinders and Components

SimpleK

SimpleK is a flexible and intuitive software program that streamlines and simplifies the complexities of managing master key systems, keys, and facilities. It combines all tools needed by locksmiths, facility managers, security officers, and anyone else involved in the key management processes.

The software provides total key control with audit trails, outstanding keys, overdue keys, tools for the rekeying process, and more. SimpleK software allows you to import maps and floor plans to see who has access to each individual door, the associated keys, and hardware on the opening.

SimpleK allows you to manage keys and keying systems of all sizes and types. This includes: Medeco, Corbin Russwin, ASSA ABLOY ACCENTRA™, SARGENT, ASSA, ABLOY, Schlage®, Best®, and many others.



Features:

- Advanced tools for locksmithing and key control
- Manage all key systems (unlimited number of records)
- Robust import tools to bring current data into SimpleK
- Interactive floor plans
- Master key system design and expansion
- Key requests, approvals, issuances, and returns workflow
- Cylinders and core pinning (verifies key interchange)
- Door-Key association visualization and rekeying solution
- Easily identify keys, access, and hardware on openings
- Visibility to audit trails and outstanding/overdue keys

SimpleK – Standard Edition	
Description	Part Number
Primary License (3 users)	SMK040-30
Updates & Support Plan on Primary License, 1 year	SMK040-31

SimpleK – Professional Edition	
Description	Part Number
Primary License (3 users)	SMK042-30
Additional license	SMK042-32
Updates & Support Plan on Primary License, 1 year	SMK042-35
Updates & Support Plan on Additional License, 1 year (per Add. Lic.)	SMK042-33

Add-On Modules	
Description	Part Number
Item Tracking	SMK032-31
Web Interface	SMK032-33
Room Management	SMK032-35
Mobile Applications	SMK032-37

For more information, customer service or technical support, please call SimpleK at 800-315-0454 or visit www.simplek.com.

SimpleK Software Order Form

Cylinders and Components

Form is required for all SimpleK Software orders.

Brand*	
Distributor Purchase Order Number*	
Distributor Account Number*	
Part Number*:	<p>Standard Edition</p> <p><input type="checkbox"/> SMK040-30 Primary License (3 users)</p> <p><input type="checkbox"/> SMK040-31 Updates & Support Plan on Primary License, 1 year</p> <p>Professional Edition</p> <p><input type="checkbox"/> SMK042-30 Primary License (3 users)</p> <p><input type="checkbox"/> SMK042-32 Additional license</p> <p><input type="checkbox"/> SMK042-35 Updates & Support Plan on Primary License, 1 year</p> <p><input type="checkbox"/> SMK042-33 Updates & Support Plan on Additional License, 1 year (per Add. Lic.)</p> <p>Add-On Modules</p> <p><input type="checkbox"/> SMK032-31 Item Tracking</p> <p><input type="checkbox"/> SMK032-33 Web Interface</p> <p><input type="checkbox"/> SMK032-35 Room Management</p> <p><input type="checkbox"/> SMK032-37 Mobile Applications</p>

To receive your SimpleK license and download link with instructions for your new software package, the following End User Information is required:

Company/Institution Name*	
Mailing Address*	
City*	
State/Province*	
Zip/Postal Code*	
Country*	
Primary Point of Contact*	
Telephone*	
Email Address where license and download link will be sent*	

*Required field

Bored and Auxiliary Lock Cylinders

Cylinders and Components

Bored Lock and Auxiliary Lock Cylinders

- Finishes: 4, 15, BSP
- All cylinders are 6-pin and supplied 1-bitted unless otherwise specified. See page 27 for available keyways.
- Specify KD- option for cylinders keyed differently/random
- For master key orders, provide keying details as requested on SARGENT Keyed Order Lead Sheets
- All cylinders supplied with 2 nickel silver keys
- For Hotel function (50), emergency key ordered separately
- Cylinders ANSI/BHMA A156.5 Grade 1 Certified (except hotel cylinders)

Illustration	Lock Series	Cylinder Number	Used With/Notes
 C11-1 C11-2	11 Line	C11-1	All functions, except Hotel function (50)
		C11-2	Hotel function (50)
 C10X-1 C10X-2	10X Line	C10X-1	All mechanical functions, except Hotel function (50), 1-3/8" - 2" doors
		31-C10X-1	All mechanical functions, except Hotel function (50), 2-1/4" doors
		C10X-1E	Electrified functions, 1-3/8" - 2" doors
		31-C10X-1E	Electrified functions, 2-1/4" doors
		C10X-2	Hotel function (50), 1-3/8" - 2-1/4" doors
		C10X-3	Emergency release cointurn cylinder (65), 1-3/8" - 2" doors
 C10-1 C10-2	10, 7, 6500 Line	C10-1	All functions, except Hotel function (50)
		C10-2	Hotel function (50)
		C10-3	Emergency release cointurn cylinder (65)
	8X Line	C8X-1	All functions
	6 Line	C6-1	S & N Knob, all functions, except Hotel function (50) (discontinued)
		C6-1B	B Knob, all functions, except Hotel function (50)
		C6-2	S & N Knob, Hotel function (50) (discontinued)
		C6-2B	B Knob, Hotel function (50)
	460 & 480 Deadbolt	C480-1	464, 484
		C480-2	465, 485, 487
		C480-3	486
	758/858 Padlocks	C750-1	04 Finish only
	1655 Locker Lock	C1655-1	Tailpiece 13-1813
	Mailbox	4101	Consult mailbox manufacturer to determine compatibility of cylinder and mailbox. 5 or 6 pin systems. <ul style="list-style-type: none"> • 2 cut day keys provided • US Postal regulations prohibit master keyed cylinder

Bored and Auxiliary Lock Cylinders

Cylinders and Components

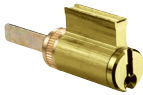


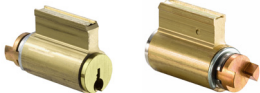

Cylinders for Discontinued Bored Lock Lines

The following cylinders are available for lock lines that have been discontinued.

- Finishes: 4, 15, BSP
- All cylinders are 6-pin and supplied 1-bitted unless otherwise specified. See page 27 for available keyways.
- Specify KD- option for cylinders keyed differently/random
- For master key orders, provide keying details as requested on SARGENT Keyed Order Lead Sheets.
- All cylinders supplied with 2 nickel silver keys
- Cylinders ANSI/BHMA A156.5 Grade 1 Certified (except C5500 and C7600)

Individual parts not sold separately



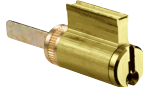
**disclaimer

Illustration	Lock Series	Cylinder Number	Used With/Notes
	450, 460 (Pre-2016), 470 & 7500 Deadbolt	C480-1	454, 474
		C480-2	455, 7500DB
		C480-3	456, 475
		C460-1	464 (Pre-2016)
		C460-2	465 (Pre-2016)
	7500 (Lever) Line	C10-1	All functions
	8 & 9 Line	C8-1	All functions, except Hotel function (50)
		C8-2	Hotel function (50)
	7600 Integrallock	C7600-1	All functions, except 26, 27, 50
	5 & 5500 Line	C5500-1	All functions, except Hotel function (50) (5 Line)
		C5500-2	Hotel function (50) (5 Line)

Competitor Keyway Cylinders

SARGENT offers 6-pin bored auxiliary lock cylinders in other manufacturers' keyways. They can be ordered as an option for hardware or ordered separately by part numbers.

- Finishes: 4, 15, BSP
- Cylinders include tailpieces
- All cylinders 0-bitted with two brass key blanks
- Hotel function cylinder not available

Illustration	Lock Series	Keyway	
		Schlage "C"	Schlage "E"
	10X Line	SC-C10X-1	SE-C10X-1
	6500, 7, 10 & 11 Line	SC-C10-1	SE-C10-1
	460 & 480 Deadbolt	SC-C480-1	SE-C480-1

Mortise Cylinders

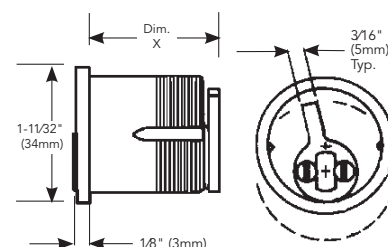
Cylinders and Components

40 Series Mortise Cylinder

- Cylinder finishes: 3, 4, 9, 10, 10B, 10BE, 10BL, 14, 15, 20D, 32, 32D, BSP, and WSP
- Plug finishes*: 4, 15, BSP
- Cylinder: Solid brass, 1-5/32" (29mm) diameter
- Cap: Brass, bronze or stainless steel
- Optional Collars/Spacers available and ordered separately, refer to product catalogs for additional information
- See page 18 for available cams
- 6 pin standard; for 7 pin specify "7 pin", size 42 minimum
- No. 41 cylinder not available in 7 pin
- Order cam as a suffix 41 x 32D x101
- Mortise cylinder assemblies that are ordered without hardware are supplied with standard SARGENT offset cam 13-0664
- All cylinders are supplied 1-bitted with 2 nickel siver keys unless otherwise specified. See page 27 for available keyways



Length under cylinder head										
Cylinder No.	41	42	43	44	46	48	50	52	54	56
Dim. X	1-1/8"	1-1/4"	1-3/8"	1-1/2"	1-3/4"	2"	2-1/4"	2-1/2"	2-3/4"	3"
	(29mm)	(32mm)	(35mm)	(38mm)	(44mm)	(51mm)	(57mm)	(64mm)	(70mm)	(76mm)



50-40 Series Hotel Mortise Cylinder

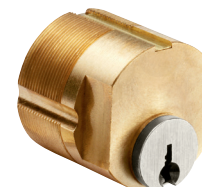
Features same as standard 40 Series cylinders except:

- For use with 7850, 8250, and 9250 functions only
- For 6 pin systems only. Note: emergency key is 7 pin
- Contact factory for compatibility requirements for existing 6 pin systems
- Uses only cam #115 (13-2045)
- Guest and Master keys will only retract the latch bolt but not project or retract the dead bolt
- Emergency keys (ordered separately, catalog # 7268 EMK) retract the latchbolt and deadbolt and can also project the deadbolt
- C Series keyways supplied standard, specify if different keyway is required. On 1 bitted or KD, CA key way will be supplied if not otherwise specified
- All cylinders supplied with 2 nickel silver keys
- Consult Sargent Key records dept. when adding Hotel cylinders to existing key systems for compatibility
- Length under cylinder head (Dim. X)
50-43 1-3/8" (35mm); 50-44 1-1/2" (38mm)



78-40 Series Exposed Plug/Barrel Cylinder

- Plug finishes: 4, 15, BSP
- Cylinder: Solid brass, 1-5/32" (29mm) diameter
- 6 pin standard, for 7 pin specify "7 pin"
- All cylinders are supplied 1-bitted with 2 nickel siver keys unless otherwise specified. See page 27 for available keyways.
- For use with SARGENT mortise locks with Escutcheon Trim (KE 3/4, LE 3/4) only
- See page 18 for available cams
- 78-41 6 pin; single cylinder function only except 50
- 78-42 6 or 7 pin; single cylinder functions only
- 78-43 6 or 7 pin; all functions except 50



Cylinder Finish	Plug Finish*
03, 04, 09, 10, 10B, 10BE, 10BL, 20D	04
14, 15, 32, 32D, WSP	15
BSP	BSP

Mortise Cylinders

Cylinders and Components

Competitor Keyway Mortise Cylinder

SARGENT offers 6-pin Mortise cylinders in other manufacturers' keyways. They can be ordered as an option for hardware or ordered separately by part numbers.

- Finishes: 3, 4, 10, 10B, 10BE, 32, 32D, BSP
- All cylinders 0 bitted and supplied with two brass key blanks as standard. Hotel function (50) not available
- Cylinders supplied without SARGENT logo on face of cylinder
- Optional Collars/Spacers available and ordered separately, refer to product catalogs for additional information
- Cylinders only supplied with SARGENT offset cam similar to 13-0664. Separate parts not available for these cylinders
- Master keyed cylinders not available
- All mortise cylinders 1-1/8" (29mm) long with standard 1-5/32" shell diameter



Cylinder	Keyway	
	Schlage "C"	Schlage "E"
Mortise #41	SC-41	SE-41

How to Order

Specify SC- or SE- option to cylinder number x finish
Example: SC-41 x 32D

Cylinder Finish	Plug Finish
03, 04, 10, 10B, 10BE	04
32, 32D	15
BSP	BSP

124 Series Turn Lever Mortise Cylinder

- Finishes: 4, 10B, 10BE, 32D, BSP
- Used in mortise locks in lieu of cylinders when keyed cylinders are not required
- Optional Collars/Spacers available and ordered separately, refer to product catalogs for additional information
- Cylinder: Brass
- Turn lever: Brass or bronze
Cap: Brass, bronze, stainless steel



Length Including Cam (Dim. x)	1-1/8" (29mm)	1-1/4" (32mm)	1-3/8" (35mm)	1-1/2" (38mm)	1-3/4" (44mm)
Cylinder Number	124-41	124-42	124-43	124-44	124-46

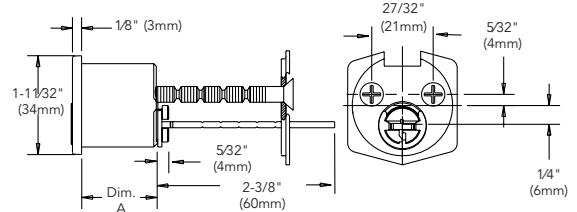
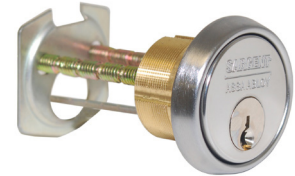
Cam No. Suffix	Description
None	Standard offset SARGENT cam
-101	Cam for Adams Rite 1850 lock
-105	Cam for inside of 16 and 92 mortise lock
-106	Cam for Open Schlage L
-112	Cam for Open Misc.
-113	Cam for 4370 Series Keyswitches

Rim Cylinders

Cylinders and Components

34 Series Rim Cylinder

- Cylinder finishes: 3, 4, 9, 10, 10B, 10BE, 10BL, 14, 15, 20D, 32, 32D, BSP, and WSP
- Plug finishes*: 4, 15, BSP
- 27/32" (21mm) screw pattern for through-bolted SARGENT exit devices
- Cylinder: Solid brass
- Cap: Brass, bronze or stainless steel
- Furnished standard with "break-off" screws and back plate, see page 19 for optional collars ordered separately
- 6 pin standard, for 7 pin specify "7 pin"
- All cylinders are supplied with 1-bitted, unless otherwise specified. See page 27 for available keyways.
- Horizontal tail piece only



No. of Pins	Door Thickness when used without outside trim	Dim. A (Min.)
6	2-3/8" to 3-1/4" (60mm to 82mm)	1-1/16" (27mm)
7	2-1/2" to 3-1/2" (64mm to 89mm)	1-7/32" (31mm)

Cylinder Finish	Plug Finish*
03, 04, 09, 10, 10B, 10BE, 10BL, 20D	04
14, 15, 32, 32D, WSP	15
BSP	BSP

Competitor Keyway Rim Cylinder

SARGENT offers 6-pin Rim cylinders in other manufacturers' keyways. They can be ordered as an option for hardware or ordered separately by part numbers.

- Finishes: 3, 4, 10, 10B, 10BE, 32, 32D, BSP
- All cylinders 0 bitted and supplied with two brass key blanks as standard. Hotel function not available
- Cylinders supplied without SARGENT logo on face of cylinder
- Optional Collars/Spacers available and ordered separately, refer to product catalogs for additional information
- Cylinders only with SARGENT mounting screw locations. Separate parts not available for these cylinders.
- Master keyed cylinders not available



Cylinder	Keyway	
	Schlage "C"	Schlage "E"
Rim #34	SC- 34	SE-34

How to Order

Specify SC- or SE- option to cylinder number x finish
Example: SC-34 x 32D

Cylinder Finish	Plug Finish*
03, 04, 10, 10B, 10BE	04
32, 32D	15
BSP	BSP

Large Format Interchangeable (Removable) Cores

Cylinders and Components

- SARGENT LFIC (Removable) cylinders and Master Key Systems make rekeying a door opening quick and easy. Cores can be changed quickly without removing the lock from the door, for increased security.
- Special "control" key is used to release a locking cam allowing immediate removal of the core
- Available for use in many SARGENT products (Exit Devices, Mortise locks, Bored locks and padlocks)
- LFIC Key Systems can also include conventional cylinders operated by the same Master/change keys when the quick change feature is not needed
- Can be master or grand-master keyed
- 2 Change keys provided
- 6 pin standard
- 1 bitted available for field keying
- 1 bitted cylinders supplied with 2 key blanks, pins and springs in chambers in 3 and 4 only
- 1 bitted core control key (p/n 6255 CTL) to be ordered separately
- HA keyway will be supplied unless otherwise specified
- Wide variety of master key systems available on non keyed orders
- Available in the following SARGENT keyway families: A, B, C, G, H, K, L, N, R, and V
- Also available in the following single key sections: CR and S

Large Format Standard Mortise Cylinder (63-40 Series)

- Finishes*: 3, 4, 9, 15, 10, 10B, 10BE, 10BL, 20D, 32, 32D, BSP
- Cylinder: Solid brass 1-5/32" diameter
- Cap: Brass, bronze and stainless steel
- Optional Collars/Spacers available and ordered separately, refer to product catalogs for additional information
- Specify required Cam as a suffix: 63-42 x 32D x 101 cam (see page 18)
- For Standard Cam: No Suffix is required



Length	1-1/4" (32mm)	1-3/8" (35mm)	1-1/2" (38mm)	1-3/4" (44mm)
Cylinder Number	63-42	63-43	63-44	63-46
Disposable Core	60-42	60-43	60-44	60-46
Construction Keyed Core	64-42	64-43	64-44	64-46

Specify finish

Large Format Hotel Mortise Cylinder (50-63-40)

- For use with SARGENT 7850, 8250 or 9250 hotel functions only
- "C" series keyway supplied standard, unless otherwise specified
- Provided only with 115 cam
- Hotel emergency key ordered separately as: 7269EMK

Length	1-3/8" (35mm)
Cylinder Number	50-63-43
Disposable core	50-60-43

Specify finish

Large Format Rim Cylinder (63-34)

- Finishes*: 3, 4, 9, 15, 10, 10B, 10BE, 10BL, 20D, 32, 32D, BSP
- Housing: Solid brass
- Cap: Brass, bronze or stainless steel
- Includes the same tailpiece and screw hole pattern as the #34 cylinder
- Order as: 63-34 x Finish (keying details required)
- Construction cores also available. Order as:
 - 60-34 x Finish for disposable core
 - 64-34 x Finish for keyed construction core

Cylinder Finish	Shell/Plug Finish*
03, 04, 09, 10, 10B, 10BE, 10BL, 20D	04
14, 15, 32, 32D, WSP	15
BSP	BSP

Mortise and rim housings will be supplied in the finish specified

Large Format Interchangeable (Removable) Cores

Cylinders and Components

Large Format Keyed Core Only (6300)

- Finishes: 4, 15, BSP
- Control key is 6272CTL, ordered separately
- Order as a: 6300 x finish and give all keying information



Parts

13-0795	Plug
13-3424	Inner Shell & Slide Assy,
13-0796	Control Sleeve
01-0660	Plug retaining ring
13-0797	Slide for Cylinders with a box around the word SARGENT (Mfg prior to 4/06)
13-1341	Slide for Cylinders WITHOUT a box around the word SARGENT (Mfg after 3/06)

For pins, springs & keying kits see pages 25 & 26

Consult appropriate bored lock series parts pages for tailpiece part numbers

Large Format Unassembled Core (65-Option)

- Finishes: 4, 15, BSP
- Unassembled core for field rekeying. Includes Control Sleeve and two key blanks
- Springs and pins to be ordered separately (see page 25)
- HA keyway will be supplied standard (except hotel), unless otherwise specified
- Order as: 65-6300 x finish x keyway (6 pin only), CA provided
- Hotel order as: 65-50-6300 x finish x keyway

Large Format Interchangeable (Removable) Cores

Cylinders and Components

SARGENT
ASSA ABLOY

Large Format Disposable Plastic Core (60-Option)

- During the construction phase in non restricted areas, disposable plastic cores can be used, eliminating use and distribution of the actual keys
- Once construction is near completion, the permanent keyed cores will be installed and the building secured; permanent keyed cores are ordered separately as 6300 Cores
- Disposable cores are available for Mortise, Exits and most cylindrical lock sets
- Operate with coin or flat screw driver
- One piece design allows for easy installation
- To order separately: Use p/n 13-5177
- Mortise Sizes available: 60-42, 60-43, 60-44 & 60-46
- Available Mortise Cams on page 18
- Specify required Cam as a suffix: 60-44-105 cam
- For Standard Cam: No Suffix is required



Large Format Interchangeable Core Construction Keyed Cylinder (64- Option)

- The SARGENT 6400 large format interchangeable brass construction core enables doors to be locked during project construction period
- Using 6400 cores prevents keys for the permanent key system from becoming available during the construction process
- After construction is completed, the 6400 brass cores are removed and replaced with 6300 keyed-permanent interchangeable Cores
- A special control key releases the locking sleeve of the cylinder core allowing immediate removal of the core
- Construction cores are all keyed alike in one KA keyset
- Furnished with 6 keys and 1 control key per order
- Plug face dimpled for easy identification
- Order as a 64- prefix with products. Shipped separately from hardware.
- Mortise Sizes available: 64-42, 64-43, 64-44 and 64-46
- See page 18 for available cams
- Specify required Cam as a suffix: 64-44-105 cam
- For Standard Cam: No Suffix is required
- For keyed temp core sold separately use catalog # 6400
- For Construction Control Key use catalog # 6251 CTL
- For Construction Master Key use catalog # 6251 CMK



Small Format Interchangeable Cores

Cylinders and Components

- SARGENT 6 and 7 Pin Small Format Interchangeable Core Cylinders and Master Key Systems are available for a quick change of cylinders for increased security. It is not necessary to remove the lock from the door to rekey the opening
- SARGENT Small Format Interchangeable Cores are available in SARGENT 4A and 4B keyways as well as the following standard competitor keyways: A, B, C, D, E, F, G, H, J, K, L, M. SARGENT will extend any key system after receipt of an existing bitting list from the end user
- New key systems are available in either 4A or 4B keyways. 4A in a 2 step system will be supplied standard on new systems
- A2 or A4 systems available

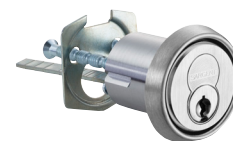
Small Format Mortise Cylinder (70-43, 73-43 or 70-46, 73-46)

- Finishes*: 3, 4, 9, 10, 10BE, 10BL, 20D, 26, 26D, BSP
- Two cylinder sizes
- #43, 1-3/8" (35mm) length under cylinder head including cam 73-43 (6 pin) 73-7P-43 (7 pin), 70-43 housing less core
- #46, 1-3/4" (44mm) length under cylinder head including cam 73-46 (6 pin), 73-7P-46 (7 pin) 70-46 housing less core
- 1-5/32" (29mm) diameter housing
- Optional Collars/Spacers available and ordered separately, refer to product catalogs for additional information
- Cam is permanently staked to housing
- Housing accepts 6 or 7 pin cores
- Only available with SARGENT off set cam
- Hotel Function not available



Small Format Rim Cylinder (73-34)

- Finishes*: 3, 4, 26, 26D
- Brass core and housing
- Furnished with break off screws and back plate
- Optional Collars/Spacers available and ordered separately, refer to product catalogs for additional information
- Housing accepts 6 or 7 pin core
- Mounting holes located to match SARGENT hardware
- Rim cylinder adapter when used with 8504 exit 13-2099



Small Format Keyed Core Only (7300B)

- Finishes: 4, 15
- Supplied keyed with two nickel silver change keys as standard
- Face includes SARGENT logo
- If Control keys are required order as 6282BCTL for 6 pin systems or 7282BCTL for 7 pin systems
 - 6 pin system master keys are ordered as 6282BMK
 - 7 pin system master keys are ordered as 7282BMK
- Order separately as:
 - 7300B x Finish (for 6 pin)
 - 7P-7300B x Finish (for 7 pin)
- Order with hardware as:
 - 73- option (for 6 pin)
 - 73-7P option (for 7 pin)
- Order cut change key as
 - 6 pin 6282BCHK x key set
 - 7 pin 7282BCHK x key set



Consult appropriate bored lock series parts pages for tailpiece part numbers

Cylinder Finish	Shell/Plug Finish*
03, 04, 09, 10, 10BE, 10BL, 20D	04
26, 26D, BSP	15

Mortise and rim housings will be supplied in the finish specified

Small Format Interchangeable Cores

Cylinders and Components



Small Format Uncombined Cores (65-Option)

- Finishes: 4, 15
- Cores for field keying
- No pins, springs or key blanks provided
- No logo on face
- Order as:
 - 65-7300B x Finish (for 6 pin)
 - 65-7P-7300B x Finish (for 7 pin)



Consult appropriate bored lock series parts pages for tailpiece part numbers

Small Format Disposable Plastic Construction Core (70- Option)

- Used for doors that do not require key locking during the construction period
- Operate with coin or flat screw driver
- Mortise and rim cylinders accepts either 6 or 7 pin permanent cores. Cylindrical lock sets ships with plastic core and 6 pin tail piece installed while the 7 pin tail piece is packed loose with the lock set
- One piece design allows for easy installation
- Only available with standard cams
- To order separately use p/n 13-5176



Small Format Brass Interchangeable Construction Core (72- Option)

- SARGENT 7200 Interchangeable 6 pin brass construction core (order 72-option with your SARGENT products) enables doors to be locked during the project construction period. Hardware prepared to accept 6 or 7 pin cores installed at job completion
- Using 7200 cores prevents keys for the permanent key system from becoming available during the construction process
- After construction is completed, the 7200 brass cores are removed and replaced with 7300 keyed-permanent interchangeable cores. Mortise and rim cylinders accept either 6 or 7 pin permanent cores. Key in lever locks ship with 6 pin tail installed and 7 pin tail piece shipped loose for use with 7 pin cores.
- Plug face is blue for easy identification
- A special Construction Control key 6254B CTL releases the locking sleeve of the construction core and allows for immediate removal of the core
- Construction cores are 6 pin and keyed alike construction master 6282B CMK
- Six (6) Construction Master keys and one (1) Control key are included per order unless otherwise specified. Shipped separately from hardware.
- Cores shipped with hardware
- Only available with standard cams
- For keyed temp core sold separately use catalog # 7200



Key Blanks/Cut Master Type Keys (Nickel Silver)

- SARGENT Keyways: 4A, 4B (Restricted)
- Competitor Keyways: A, B, C, D, E, F, G, H, J, K, L, M
- Packed 50 per box

Description	Order As:
6 pin key blank	6285B x keyway
7 pin key blank	7285B x keyway
6 pin cut master key	6282BMK
7 pin cut master key	7282BMK
6 pin cut control key	6282BCTL
7 pin cut control key	7282BCTL

6 pin change/ day key 6282BCHK
7 pin change/ day key 7282BCHK

Copyright © 2006-2024, Sargent Manufacturing Company, an ASSA ABLOY Group company. All rights reserved. Reproduction in whole or in part, without the express written permission of Sargent Manufacturing Company is prohibited.

90622 05/24

Old Style Removable Cores Mortise/Rim Cylinders

Cylinders and Components

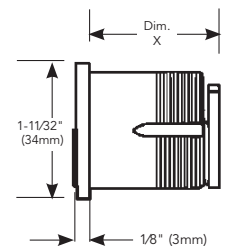
Old Style Removable Core Cylinder (51-Option)

- Plug finishes: 4, 15, BSP
 - Cylinder finishes**: 3, 4, 9, 10, 10B, 10BE, 20D, 32, 32D, BSP
 - Available for existing systems only. Consult factory for existing system compatibility
 - Available for use only currently where listed in SARGENT products, which use rim or mortise cylinders
 - Special "control" key (ordered separately, catalog # 7253 CTK) is used to release a locking cam to allow immediate removal of the core
- Note: These cylinders use the last chamber for the control sleeve. Standard keys contain a cut in this position to engage the control function.
- SARGENT Offset Cams only
 - Can be master or grandmaster keyed
- Note: If ordering for existing key system, provide all keying information.



140 Series Mortise Cylinder

Description	No. Pins	Length under cylinder head including cam			
		1-1/4" (32mm)	1-3/8" (35mm)	1-1/2" (38mm)	1-3/4" (44mm)
Complete Cylinder	7	142	143	144	146
Core Only	7	5142	5143	5144	5146
Housing Only	7	13-2052	13-2053	13-2054	13-2055



Specify finish when ordering
Dimensions are with core and cam installed
Cams are attached to the core and not ordered with housings.
See page 19 for optional collars.

134 Series Rim Cylinder

Description	No. Pins	Model/Part Number
Complete Cylinder	7	134*
Core Only	7	5134
Housing Only	7	13-2057

*Maximum overall length 3-3/4" (95mm)
Cylinder furnished standard with break-off screws (13-0074) and backplate (13-0086)
Housing supplied less screws and back plate

Old Style Removable Construction Core (52- Option)

- Plastic disposable cores not available
- For Construction Control Key use catalog # 6252 CTL
- For Construction Master Key use catalog # 6252 CMK

How to Order

Mortise	Add 52- option to removable core cylinder number (Example: 52-142) Not available for functions 50 and 52
Rim Type	Add 52- option to removable core cylinder number (Example: 52-134)

To order removable cores only for mortise and rim type cylinders, add 52- option to core designation (Example: 52-5142 or 52-5134)

Cylinder Finish	Shell/Plug Finish**
03, 04, 09, 10, 10B, 10BE, 20D	04
32, 32D	15
BSP	BSP

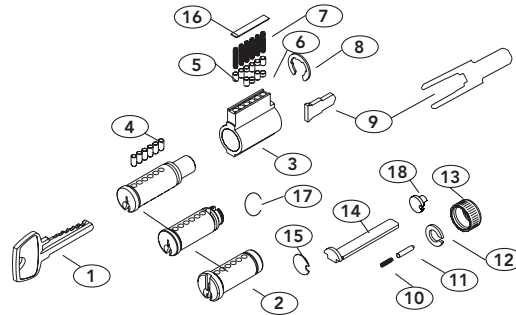
Mortise and rim housings will be supplied in the finish specified

Experience a safer
and more open world

Cylinder Parts: Bored and Auxiliary Locks

Cylinders and Components

Hotel Function Not Shown



Item	Description	Lock Line	Part Number	Comment	
1	6 Pin Key Blank		See Table Page 27		
2	Plug	460, 7600*	13-0090	Sargent key ways only	
	Plug	470*, 480, 1655, 7500*	13-0874		
	Plug	460* (Pre-2016)	13-0904		
	Plug	5500*, 8X	13-0920		
	Plug & Pin Assembly	7, 8*, 9* Knobs	13-3425		
	Plug & Ring Assembly	6, 7 Lever, 8L*, 10, 10X, 11, 6500, 7500*, 758, 858	13-3142		
3	Shell Only	7600*	13-1139	7600 (No Slide) Illustration Shows Slide Disassembled	
	Cylinder Shell & Slide Assembly Without Pins & Springs	7, 8L*, 10, 10X, 11 Levers, 758, 858	13-3257		
		7, 8*, 9* Knobs	13-2048		
		6, 6500	13-3257 – Effective 9/03		
		460, 470*, 480, 1655	13-3493		
		5500*, 8X	13-3514		
4	Bottom Pin	All Cylinders	See Table Page 25		
5	Top Pin	All Cylinders	13-0059 (see page 25)		
6	Master Pin	All Cylinders	See Table Page 25		
7	Compression Spring	All Cylinders	13-0265		
8	Plug Retainer	5*	01-0870		
	Plug Retainer Ring	7, 8*, 9* Knob Plug manufactured prior to March 2005	06-0166		
	Plug Retainer Ring	6, 7 Lever, 8L*, 10, 10X, 11, 6500 and 8 line* knob manufactured after April 2005	13-0205		
	Plug Retainer Ring	5500*, 8X	01-0870		
9	60-70 Tail Piece	60-70 6500	05-0033	6 Pin Only	
	70 Tail Piece	70-6500	05-0034	7 Pin Only	
	60 Tail Piece	60-7, 10	10-0239	Except 54 Function	
	70 Tail Piece	70-7, 10	10-0239	6 Pin Except 54 Function	
	70 Tail Piece	70-7, 10	10-0240	7 Pin Except 54 Function	
	70 Tail Piece	70-7, 10	10-0286	6 Pin 54 Function	
	70 Tail Piece	70-7, 10	10-0287	7 Pin 54 Function	
	60 Tail Piece	60-11	11-0171	All Functions	
	Tail Piece	11	13-1385	Except 50 Function	
	Tail Piece	10X (1-3/8" - 2" door)	10-3629		
	Tail Piece	7, 8L*, 10, 6500	13-0895		
	Tail Piece	6 (S & N Knobs*)	13-0907	05, 24, 37, 38-2, 44	
	Tail Piece	6 (B Knob)	13-0908		
	Tail Piece	5500*	13-0919		
10	Cylinder Cap Spring	460, 470*, 480, 1655	13-1555 – Effective 6/03		
			13-0693 – Prior to 6/03		
			13-1554 – Effective 6/03		
11	Cylinder Cap Pin	460, 470*, 480, 1655	13-0691 – Prior to 6/03		
12	Cylinder Tail Washer	464, 474*, 484	13-0882		
			464, 465, 485, 486, 487, 1655	13-0883	
13	Cylinder Endcap	460, 470*, 485, 1655 series	13-0875		
14	Tail Piece	464, 474*, 484	13-0878	1-3/4" to 2" (44mm to 51mm) Door Thickness	
			465* (Pre-2016), 485, 487		13-0880
			465, 475*, 486		13-0881
15	Blocking Piece	460, 470*, 480, 1655	13-0884		
16	Slide (Mfg prior June 2008)	7 Old*, 7, 8*, 8L*, 9, 10, 11, 6500	13-0779		
			7600*	13-0816	
16	Slide (Mfg after June 2008)	7, 8*, 8X, 9*, 10, 10X, 11, 1655, 6500	13-1341		
17	Tail Piece Retainer	6, 7, 10, 10X, 11, 6500	13-0680		
18	Cam Connector	1655	13-1813		

*Discontinued Product

Copyright © 2006-2024, Sargent Manufacturing Company, an ASSA ABLOY Group company. All rights reserved. Reproduction in whole or in part, without the express written permission of Sargent Manufacturing Company is prohibited.

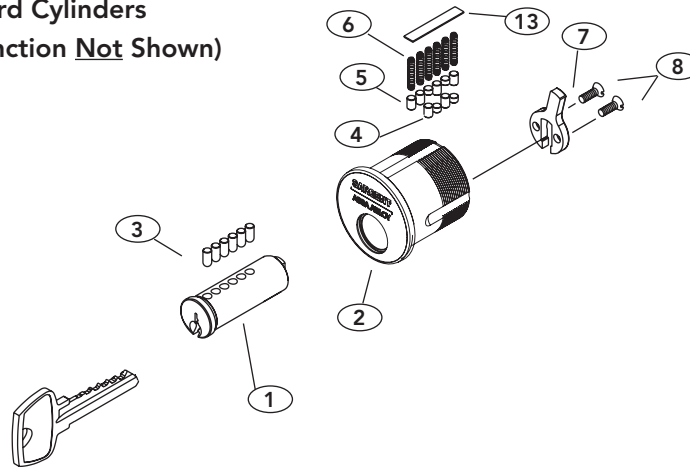
90622 05/24

Cylinder Parts: Mortise Cylinders

Cylinders and Components

40 Series Mortise Cylinder Parts

Standard Cylinders
(Hotel Function Not Shown)



Item	Description	Part Number	Comment
1	Plug	See Table Below	
2	Cylinder Shell, Cap & Slide Assy.	See Table Below	SARGENT key ways only
3	Bottom Pin	See Table Page 16	
4	Master Pin	13-0062 (see page 25)	Pin No. 10 (Length .260)
5	Top Pin	See Table Page 25	
6	Compression Spring	13-0265	
7	Cam	See Table Page 9	
8	Screw	01-1121	#3-48 x 5/16" (8mm) PH. FL.
13	6 Pin Slide 7 Pin Slide	13-0779 13-0780	Mfg prior to 06-2008 Mfg prior to 06-2008
13	6 Pin Slide 7 Pin Slide	13-1341 13-1797 v	Mfg after 06-2008 Mfg after 06-2008

No.	Cylinder Length	6 Pin Plug Part Number	7 Pin Plug Part Number	6 Pin Shell & Slide Assy. Part Number	7 Pin Shell & Slide Assy. Part Number
41	1-1/8" (29mm)	13-0401	N/A	13-2005	N/A
42	1-1/4" (32mm)	13-0402	13-0402	13-2006	13-2765
43	1-3/8" (35mm)	13-0403	13-0403	13-2766	13-2766
44	1-1/2" (38mm)	13-0404	13-0404	13-2767	13-2767
46	1-3/4" (44mm)	13-0405	13-0405	13-2768	13-2768
48	2" (51mm)	13-0406	13-0406	13-2769	13-2769
50	2-1/4" (57mm)	13-0407	13-0407	13-2770	13-2770
52	2-1/2" (64mm)	13-0408	13-0408	13-2771	13-2771
54	2-3/4"	(70mm)	13-0409	13-0409	13-2772
56	3"	(76mm)	13-0474	13-0474	13-2773

Cams for Mortise Cylinder

Cylinders and Components

Cams For Conventional Mortise Cylinders* in SARGENT Keyways



Standard Cam
(13-0664)

Standard open slotted cam provided on all 40 Series - standard. Except: 16, 50 & 92 function Mortise Locks



#105
(13-0665)

Short cam used for 78/8200 (16 & 92) function locks (Inside Cylinder) (Was -3 & -8)



22-Standard
(13-0662)

Cam used for Construction Key Systems (22-), except for 16 & 92 function inside cylinder & 50 function mortise locks



22-105
(13-0663)

Cam used for Construction Key Systems (22-), 16 & 92 function mortise locks (Inside Cylinders)



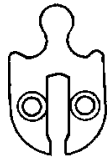
#115
(13-2045)

Cam used for Hotel (7850/8250) function cylinders only (formally -2)

Miscellaneous Cams*



#101
(13-0512)
Adams Rite
1850, 4700



#113
(13-0921)
SARGENT
4370 Series
key switches



#106
(13-0938)
"Open"
Schlage "L"



#112
(13-0097)
"Open" Misc.

* Two screws attach cam to cylinder, order as an 01-1121, when needed

Cams for 6300 Large Format Interchangeable (Removable) Core Mortise Cylinders (Factory assembled to housing)



Standard
6300 Series
Cam



-105
Cam for
inside of
8216/8292
functions



-115
Cam for
Supplied
standard with
50-63-43 Hotel
50 function
cylinders/locks



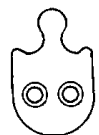
-101
ADAMS
RITE
1850 4710



-106
Schlage
"L"



-112
Wide
Straight



-113
4370 Series
key switch

- 6300 Cams are factory installed and are not removable
- 6300 Cams are not sold separately
- Specify required Cam as a suffix 63-42-101 cam
- For Standard Cam: No Suffix is required

Rosettes and Blocking Rings

Cylinders and Components

1KA Rosette with 8200 sectional trim

- Used with mortise cylinders
- Furnished standard with the E, E2, E3 and E4 roses
- Brass, bronze or stainless steel
- 1-1/2" (38mm) Square, includes compression spring
- Projection from door:

1KA-1	5/16" (8mm) – Standard
1KA-2	7/16" (11mm)
1KA-3	9/16" (14mm)
1KA-4	11/16" (16mm)



- Finishes: 3, 4, 10, 10B, 10BE, 10BL, 20D, 26, 26D, 32, 32D, BSP, WSP

1SB Cylinder Collar

- Standard for 7800 BHD, 8200 BHL & BHW mortise locks
- Stainless steel
- 1-29/32" diameter
- Projection from door:

1SB-1	5/16" (8mm)
1SB-2	7/16" (11mm)
1SB-3	9/16" (14mm)
1SB-4	11/16" (16mm)



- Finishes: 32, 32D

1KB-5 Cylinder Retaining Cap

- Required for double cylinder functions on KS and LS Escutcheon *only*
- Steel or stainless steel
- 1-15/32" (37mm) diameter
- 9/16" (14mm) projection
- Finishes: 3, 4, 9, 10, 10B, 10BE, 10BL, 20D, 26, 26D, 32, 32D, BSP, WSP



97 Rosette

- Standard for 4800 dead bolts and 7900 and 7800 series mortise locks
- Brass, bronze or stainless steel
- 1-11/16" diameter (43mm), 9/32" (7mm) projection, includes compression spring
- Specify #97 x finish
- Finishes: 3, 4, 10, 10B, 10BE, 10BL, 20D, 32, 32D, BSP



1KB Rosette

- Used with 8200 Series mortise locks when cylinders project from door
- Free spinning to protect cylinder from vandalism
- Cylinder sits recessed and flush with top of rosette
- Consult 8200 series catalog for Rosette application details
- Furnished standard with 8200 LN and L rose design mortise trim
- Cast brass, bronze or stainless steel
- 1-1/2" (38mm) diameter, includes compression spring
- Projection from door:

1KB-1	5/16" (8mm)
1KB-2	7/16" (11mm)
1KB-3	9/16" (14mm)
1KB-4	11/16" (16mm)

- Finishes: 3, 4, 10, 10B, 10BE, 10BL, 20D, 26, 26D, 32, 32D, BSP



1KB-1

1KB-2

1KB-3

1KB-4

90 Blocking Ring

- Brass, bronze or stainless steel
- Available sizes: 1/16", 1/8", 3/16", 1/4", 3/8"
- Specify #90 x size x finish
- Finishes: 3, 4, 10, 10B, 10BE, 10BL, 20D, 26, 26D, 32, 32D, BSP, WSP



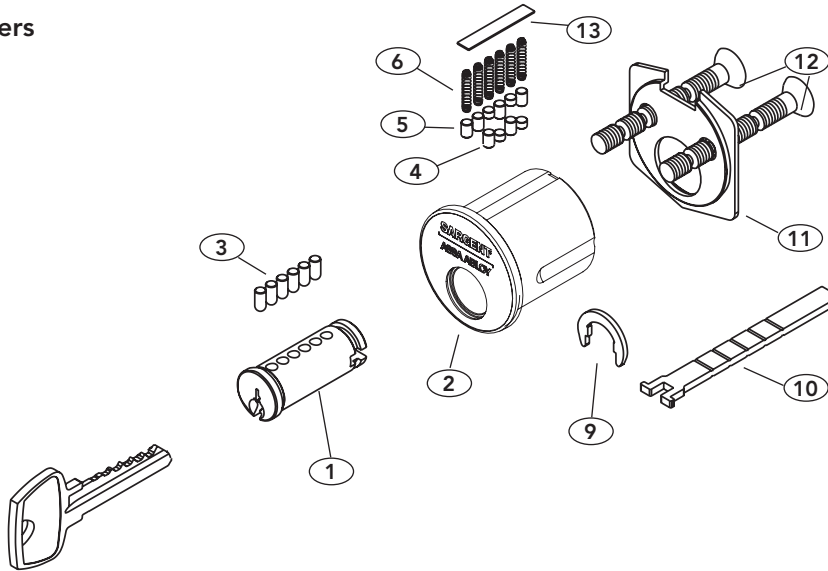
Note: Hardware ordered less cylinder will be provided with the standard collar and/or blocking rings for the standard 1-1/8" mortise cylinders. When using cylinders that are longer consult individual catalogs to order proper size collars and/or spacers.

Cylinder Parts: Rim Cylinders

Cylinders and Components

34 Rim Cylinder Parts

Standard Cylinders



Item	Description	Part Number	Comment
1	Plug	See Table Below	
2	Cylinder Shell, Cap & Slide Assy.	See Table Below	SARGENT key ways only
3	Bottom Pin	See Table Page 25	
4	Master Pin	13-0062 (see page 25)	
5	Top Pin	See Table Page 25	
6	Compression Spring	13-0265	
9	Plug Retainer	13-0080	
10	Tail Piece	13-0085	
11	Cylinder Back Plate	13-0086	
12	Connecting Screws Standard Connecting Screws	13-0075 13-0074	#12-24 x 2-5/8" (67mm) #12-24 x 2-1/8" (54mm)
13	6 Pin Slide 7 Pin Slide	13-0779 13-0780	Mfg prior to 06-2008 Mfg prior to 06-2008
13	6 Pin Slide 7 Pin Slide	13-1341 13-1797	Mfg after 06-2008 Mfg after 06-2008

14 rim cylinder adapter when used with 8504 exit 13-2099 not shown

No.	Cylinder Length	6 Pin Plug Part Number	7 Pin Plug Part Number	6 Pin Shell & Slide Assy. Part Number	7 Pin Shell & Slide Assy. Part Number
34	—	13-0090	13-0087	13-2005	13-2712

432 RC Large Format Mortise Housing Installation Tool

- The 432 RC tool assists in installing SARGENT Large Format Interchangeable (Removable) Core mortise housings. This tool make it easy to thread a cylinder body into a Mortise lock and can also help check the cylinder function in a lock before installing the cylinder core.
- Order: 432 RC



432 IC Small Format Mortise Housing Installation Tool

- The 432 IC tool assists in installing SARGENT Small Format Interchangeable Core Mortise Housings. This tool make it easy to thread a cylinder body into a Mortise lock and can also help check the cylinder function in a lock before installing the cylinder core.
- Order: 432 IC



Cylinder Nut Wrench

- This wrench simplifies the installation and removal of mortise cylinders nuts used on 700 Series Auxiliary Control (80 Series ET Trim).
- Part number 97-0568



436-1 Top Loading Tool Kit

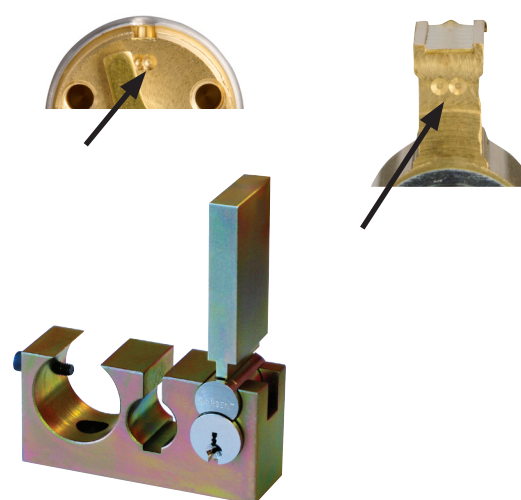
436-1 Kit is used for top loading of Large Format Interchangeable (Removable) Cores or Conventional Cylinders

Top loading feature for conventional cylinders and LFIC simplifies the repinning process. The dovetail cut at the top of the cylinder body allows the slide to be "peeled" off easily, without removing the barrel from the cylinder. These conventional cylinders can be easily identified with the "figure eight" marking on the back of the cylinder body (Shown).

This Kit includes the following components:

- Staking Block
- Staking Tool
- 100 Slides (6 Pin)

Additional slides available ordered separately:
7 Pin part#13-1797
6 Pin part#13-1341



Construction Master Keying Lost Ball, Split Key Construction Keying Kit (Lost Ball) Cylinders and Components



Lost Ball Construction Keying (21- Option)

Cylinders ordered in SARGENT keyways with construction keying will include the 21- option Lost Ball feature as standard. This replaces the 22- split key, only available as additions to existing 22- mastered keyed systems. The 21- is not available with old or new style removable/interchangeable core (5100 & 6300s). If construction keying is required for removable/interchangeable cores, use 52- or 64- construction keyed cores.

With the lost ball option, construction keying is obtained easily without going back to each cylinder and removing the construction split key when the building gets turned over.

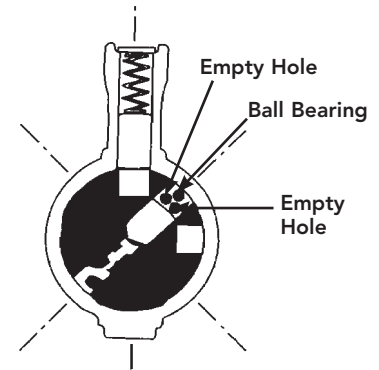
With this feature, the 21- cylinder is master keyed with small ball bearings in one of the chambers. The plug is drilled in two places along both sides of the same chamber containing the balls. This allows

the construction master key to be used, while leaving these balls in the chamber above the plug when the key is rotated. When it is time to void the construction key, by simply using the change (day) key these balls will fall into the holes in the plug. The construction master key will now no longer operate the lock.

Field construction (21- lost ball) keying can also be easily accomplished with the # 439 LOST BALL REKEYING KIT. The kit includes a drilling block, knurled pin, 500 balls and drill with collar.

Orders with 21- will have all change keys shipped separately from hardware. New key systems provided with six construction master keys unless otherwise specified.

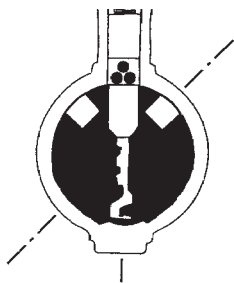
Additions to orders to existing systems are not provided with construction masters unless ordered separately.



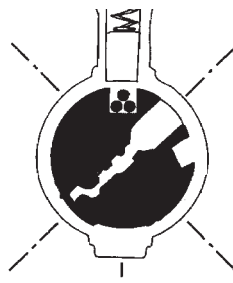
Cutaway cylinder showing construction master key being used. The ball bearings lie flat with one positioned behind the other. They are not stacked.

Void Construction Key (with Change Key)

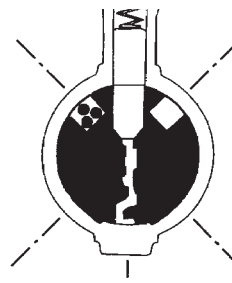
Note: Ball bearings shown are for illustration purposes only. They do not stack, they align next to each other and lay flat.



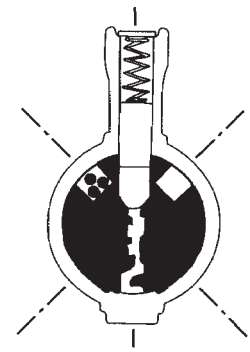
Change key inserted in cylinder



As change key rotates, construction balls fall into hole in the side of plug



Change key rotated to position for extraction



Construction key inserted after balls are trapped. Driver now extends into plug chamber. Construction key will not rotate

Split Key Construction Keying (22- Option)

The 22- option for split-key construction keying is available only for **existing systems**. When construction is completed, each cylinder must have the construction split key removed with extractor tool part number 14-0070 (one supplied per order). Orders with 22- option will have all change keys shipped separately from hardware. Not available with XC or Signature cylinders, non-SARGENT keyways or with cylinders used in other manufacturers' locks. Construction Master Keys part number 6250 CMK must be ordered separately.

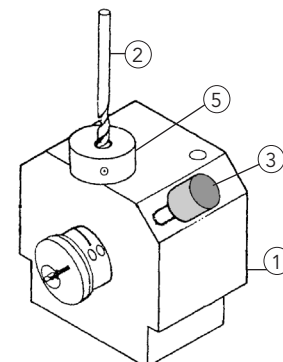
439 Construction Keying Kit (Lost Ball)

This kit is designed to allow field construction master keying of SARGENT conventional, Signature and XC cylinders.

Each kit includes:

1. Drilling block
2. Drill bit
3. Knurled pin
4. Hex key (not shown)
5. Collar & Set screw Assy.
6. 500 each balls, P/N 13-1103 (not shown)

Drill block shown with plug being prepared for field construction keying



Experience a safer
and more open world

Bump Resistant Cylinders

Cylinders and Components

These cylinders employ specially engineered patented components designed to resist bumping while maintaining the cylinder's strength.

Bump resistant cylinders offer these features:

- Added line of defense against intruders
- Prevents unauthorized entry

The bump resistant feature is available for the following conventional cylinders (6 and 7 pin only):

- Mortise Cylinders: Conventional and XC (11-)
- Rim Cylinders: Conventional and XC (11-)
- Bored Cylinders: Conventional and XC (11-)

Specify bump resistance by adding BR Prefix.

Not available with 63- or 73- cylinder options.

How to order example: BR-10XG04 LL 26D

437BR Bump Resistant Re-Pinning Kit

The 437BR Kit is used to convert existing cylinders into bump resistant cylinders. Simply replace the drivers and springs in all chambers. Each kit includes 300 pins for use in mortise/rim cylinders, 300 pins for use in KIK/KIL cylinders and 600 springs.

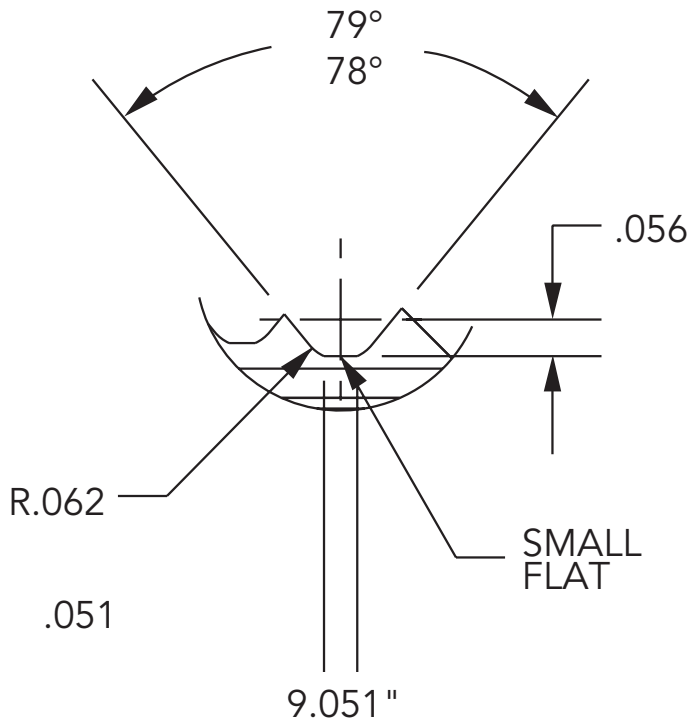
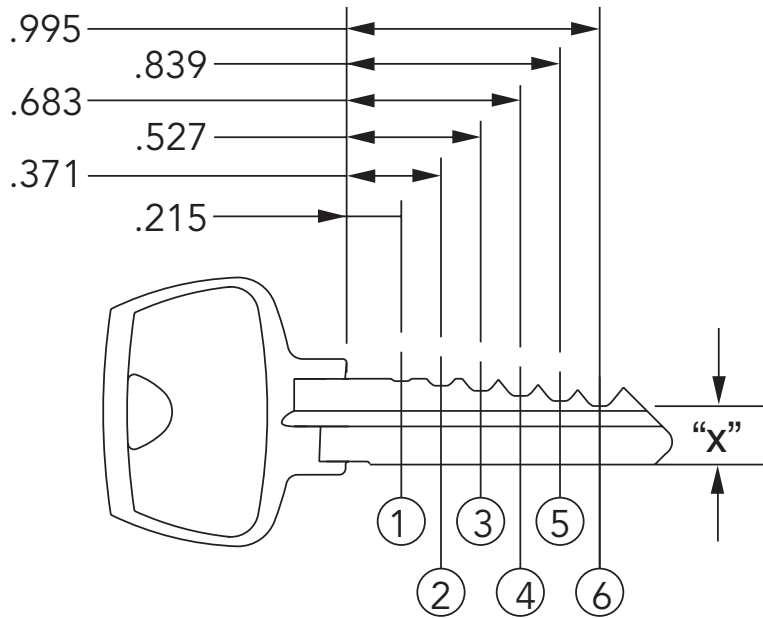


BR is marked on the cylinder slide to identify Bump Resistant Cylinders



Bitting Dimensions

Cylinders and Components



6 PIN POSITIONS Shown, depth and spacing are the same for 5 & 7 pin

Depth tolerance
± .002", spacing
tolerance ± .001"

Cut#	1	2	3	4	5	6	7	8	9	10
X	.330	.310	.290	.270	.250	.230	.210	.190	.170	.150

Above bitting dimensions are for SARGENT cylinders in the following keyway families: A, B, C, G, H, K, L, N, R, V

Maximum Adjacent Cut Specification (MACS) = 7

Cuts read and written bow to tip

Brass Pins for SARGENT Keyways

Bottom Pins	Part Number	Length
Size #1	13-0064	.170
Size #2	13-0065	.190
Size #3	13-0066	.210
Size #4	13-0067	.230
Size #5	13-0068	.250
Size #6	13-0069	.270
Size #7	13-0070	.290
Size #8	13-0071	.310
Size #9	13-0072	.330
Size #10	13-0073	.350

All pins .115 diameter

Master/Driver Pins	Part Number	Length
Size #2	13-0051	.040
Size #3	13-0052	.060
Size #4	13-0053	.080
Size #5	13-0054	.100
Size #6	13-0055	.120
Size #7	13-0056	.140
Size #8	13-0057	.160
Size #9	13-0058	.180
Size #10	13-0059	.200
Size #11	13-0060	.220
Size #12	13-0061	.240
Size #13	13-0062	.260
Size #14	13-0063	.280

Signature Pins UL 10-34 & 10-40

Hardened stainless steel bottom pins used only in the 1st chamber of 10-UL 40 Series mortise cylinders & 10-UL 34 Series rim cylinders.

Bottom Pins	Part Number
Size #1	13-1210
Size #2	13-1211
Size #3	13-1212
Size #4	13-1213
Size #5	13-1214
Size #6	13-1215
Size #7	13-1216
Size #8	13-1217
Size #9	13-1218

Stainless spool driver 13-1223 used in all position 10-UL 40 Series and 10-UL 34 Series cylinders.

Large Format Interchangeable (Removable) Core Hollow Top Pins 6300, 10-6300 & 11-6300

Different top pins are used only in the 3rd and 4th positions of 6300, 10-6300 and 11-6300 of factory keyed LFIC (Removable) Cores. All other chambers use standard top pins.

Top Pins	Part Number
SIZE #3	13-1229
SIZE #4	13-1234
SIZE #5	13-1235
SIZE #6	13-1236
SIZE #7	13-1237
SIZE #8	13-1238
SIZE #9	13-1239
SIZE #10	13-1240
SIZE #11	13-1761

Springs used with these Hollow drivers are 13-0487

Pins Supplied with Keying Kits

Size #	437C/437S		437RC
	Bottom Pins	Master/Driver Pins	Hollow Top Pins used in chambers 3 and 4 of 6300s with spring 13-0487
1	13-0064		
2	13-0065	13-0051	
3	13-0066	13-0052	13-1229
4	13-0067	13-0053	13-1234
5	13-0068	13-0054	13-1235
6	13-0069	13-0055	13-1236
7	13-0070	13-0056	13-1237
8	13-0071	13-0057	13-1238
9	13-0072	13-0058	13-1239
10	13-0073	13-0059	13-1240
11		13-0060	13-1761
12		13-0061	
13		13-0062	
14		13-0063	

Springs

- 13-0265 or 13-1769 used in all cylinders except 3rd & 4th position of 6300, 10-6300 and 11-6300 cores
- 13-0487 used in 3rd & 4th position of 6300, 10-6300 and 11-6300 cores with hollow drivers

Keying Kits and Depth Key Sets

Cylinders and Components



437C Conventional Keying Kit

Includes the brass pins, springs and tools needed to rekey SARGENT conventional, XC cylinders (Except SFIC) and interchangeable cores master keyed. This heavy duty steel kit prevents pins from mixing. The kit includes 100 each of top springs 13-0265, 100 each 13-1769 springs used with standard drivers in the (10-) 6300 cores and 100 each of bottom and master/driver pins used in the following multi-family keyways: LA, RA, HA, CA, AA, BA, GA, KA, NA and VA.

Note: When re-pinning SARGENT 6300 Large Format Interchangeable (Removable) Core cylinders use hollow drivers and springs in chambers 3 and 4 found in the 437 RC supplemental pinning kit.

Tools included with 437C kit are:

- Tweezers
- Bitting Gauge 435
- Loading Thimble ("Plug Holder" LT2)
- Loading Rod for 6, 8, 10, 11, mortise & rim cylinders, 13-1034
- Loading Rod for 480, 470, 460 and 6300 Cores, 13-1035
- Loading Rod Blades 13-1138 and 13-1037
- See Table on Page 25 for pins included

When pins are sold separately, they are packaged in easy to see and use foil & plastic packages in quantities of 100 per size.



437C shown

437S Signature Keying Kit

Used to service SARGENT Signature cylinders. Includes all of the same components as the 437C plus:

- 100 Blocking Bar Springs, 13-0986
- 10 each Blocking Bars, 13-1109
- 1 each Field Service Tool, 13-3916

Note: When repining 10-6300 Signature Large Format Interchangeable (Removable) Core cylinders replace with special hollow drivers, the 437RC supplemental pinning kit is required

437 RC Large Format Interchangeable (Removable) Core Keying Kit

Use with the 437C or 437S kit. Includes additional pins to repin SARGENT 6300 and 10-6300 Large Format Interchangeable (Removable) Core cylinders.

The kit includes special hollow top driver pins and springs which are to be used in chambers 3 and 4. These pins are in the same increments as standard pins.

Each kit includes:

- 100 each hollow top pin springs, 13-0487
- 50 each cylinder retainers, 01-0660
- 50 each (hollow top pins). See Table on Page 25



Depth Key Sets

Used for manual code key cutting. Each set includes 10 each SARGENT unwarded 6 pin keys. Each different key is cut with all the same bittings from 0 through 9. Order as "Depthkeys".



Cylinder Spray Lubricant

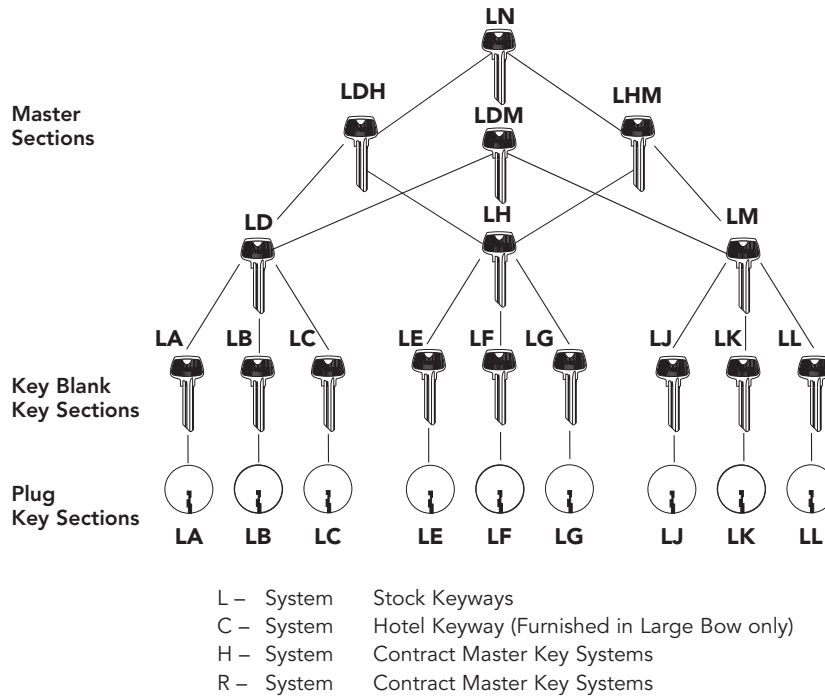
3.0 oz aerosol pin number 18-0070

Cylinder Spray Cleaner/Deicer 3.0 OZ aerosol pin number 18-0435

It is recommended to lubricate cylinders at least twice a year for high volume or exterior applications.

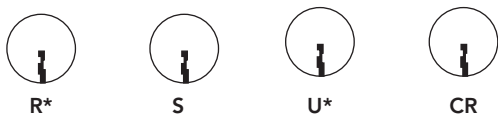
Multiplex Keyways (L keyway family shown, others similar)

Multiplex keyways can be used together to expand a keying system. Master sections can be used on more than one cylinder with different plug sections, whereas key blank sections can only be used with cylinders of the same section. For example, a key cut on the LD key blank will operate cylinders with LA, LB or LC plug sections. A key cut on LA key blank will only operate cylinders with LA plug section.



Single Section Keyways

Single section keyways are independent, stand alone keyways and can not be tied to any other keyway to expand a keying system. Keys cut on R keyway keyblanks will only operate cylinders with R plug section.



*Cylinders in R and U keyways are only available 1-bitted for field keying

Restricted Keyways

Restricted keyways are SARGENT (factory) controlled geographically to limit sales and prevent unauthorized key duplication.

For availability of restricted keyways and key sections, contact SARGENT Key Records Department.

Orders for restricted keyway systems, key blanks and cylinders, require a letter of authorization from the system owner.

Note: Key section drawings are for illustration only. Not actual or to scale.

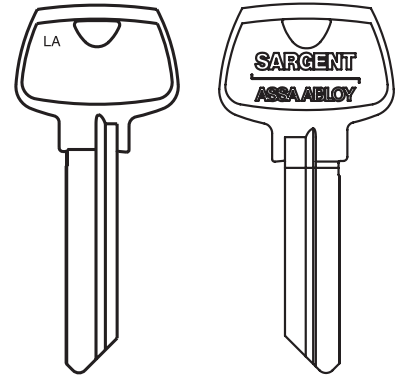
Key Blanks

Cylinders and Components

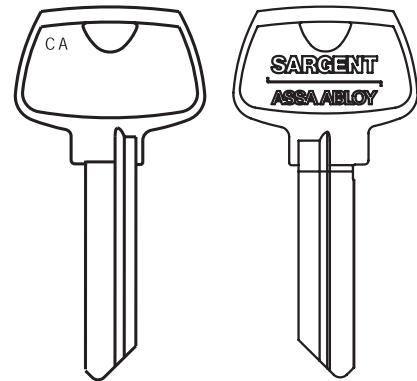
Key Blanks

Key blanks are sold in multiples of 50 and are ordered by specifying the catalog part number x key section. All key blanks are provided on the standard bow with the exception of the "C" keyway family. All key blanks include the SARGENT logo and are stamped with the respective key way or keysection.

# of Pins	Catalog Part #	Key Section
5	265	U, R
	270	LD, LH, LM, LDH, LDM, LHM, LN RD, RH, RM, RDH, RDM, RHM, RN
	273	CD, CH, CM, CDH, CHM, CN
	275	S, CDM
		LA, LB, LC, LE, LF, LG, LJ, LK, LL RA, RB, RC, RE, RF, RG, RJ, RK RL
278	CA, CB, CC, CE, CF, CG, CJ, CK, CL CR	
6	6265	U, R
	6270	HD, HH, HM, HHM, HDH, HDM, HN LD, LH, LM, LDH, LDM, LHM, LN RD, RH, RM, RDH, RDM, RHM, RN
	6273	CD, CH, CM, CDH, CHM, CN
	6275	S
		HA, HB, HC, HE, HF, HG, HJ, HK, HL LA, LB, LC, LE, LF, LG, LJ, LK, LL RA, RB, RC, RE, RF, RG, RJ, RK RL
	6278	CA, CB, CC, CE, CF, CG, CJ, CK, CL CR
7	7270	LD, LH, LM, LDH, LDM, LHM, LN RD, RH, RM, RDH, RDM, RHM, RN
	7273	CD, CDM, CH, CM, CDH, CHM, CN
	7275	LA, LB, LC, LE, LF, LG, LJ, LK, LL RA, RB, RC, RE, RF, RG, RJ, RK RL
	7278	CA, CB, CC, CE, CF, CG, CJ, CK, CL CR



Standard 6 pin



Large Bow approximately 15% larger than standard bow. Provided for SARGENT "C" family as standard.

Keys and Bitting Lists

Cylinders and Components

Keys

All orders for keys require keyset symbols, system registry number, and catalog part number.

Master Keys

Catalog Part #	# Pins	Description
272MK	5	Cut master keys (standard and LFIC)
6272MK	6	
7272MK	7	
6282BMK	6	Cut master keys (SFIC)
7282BMK	7	

Change Keys

Catalog Part #	# Pins	Description
272CHK	5	Cut change keys (standard and LFIC)
6272CHK	6	
7272CHK	7	
6282BCHK	6	Cut change keys SFIC
7282BCHK	7	Cut change key 7 pin SFIC

Control Keys

Catalog Part #	# Pins	Description
6272CTL	6	Control key (LFIC)
6255CTL	6	Control key (LFIC- 1-bitted)
7253CTL	7	Control key (51-)
6282BCTL	6	Control keys (SFIC)
7282BCTL	7	

Emergency Keys

Catalog Part #	# Pins	Description
6267EMK	6	Emergency key - bored cylinder
7268EMK	7	Emergency key - mortise cylinder
7269EMK	7	Emergency key - mortise LFIC Hotel

Construction Master & Control Keys

Catalog Part #	# Pins	Description
6272CMK	6	Construction master keys (21-)
6251CMK	6	Construction master keys - LFIC (64-)
6251CTL	6	Construction control keys - LFIC (64-)
6282BCMK	6	Construction master keys - SFIC (72-)
6254BCTL	6	Construction control keys - SFIC (72-)
7282BCMK	7	Construction master keys - XC SFIC (11-72-)
7254BCTL	7	Construction control keys - XC SFIC (11-72-)

Bitting Lists

Paper bitting lists provided at no charge for factory corresponding keyed orders when requested at time of hardware order. An owners letter of authorization must be attached to all purchase orders. Existing key system bittings lists also available contact key records for more information.

Visual Key Control and Tamper Proof Packaging

Cylinders and Components



Visual Key Control (Stamping)

To allow for easier key and cylinder identification, SARGENT offers the option for permanent stamping of keys and/or cylinder with industry standard alpha-numeric keyset symbols.

Non-visual key control stamped change (day) keys include bitting numbers as standard, (Item A) unless specified in keying order lead sheet submitted with order requesting to be omitted and key set substituted.

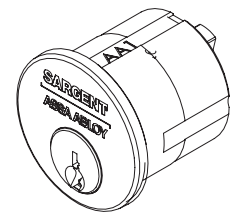
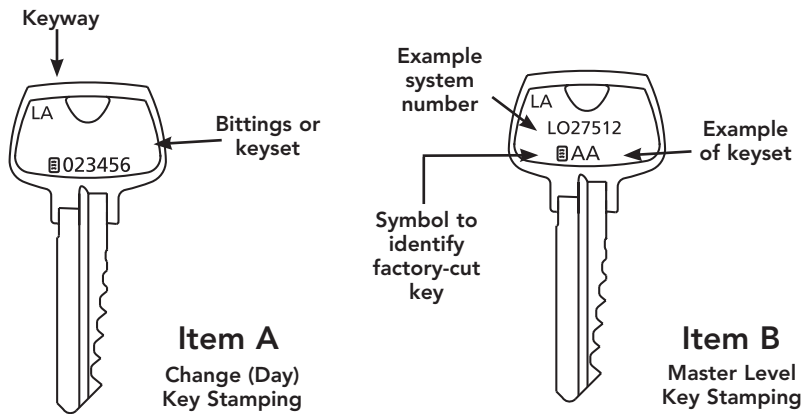
Degree, SFIC and Signature change keys are stamped with key set symbols as standard.

Master level keys do not include bitting numbers. Master level keys include system register numbers stamped on the first line, and the standard visual key control designations on the second line (Item B).

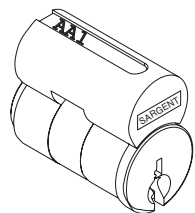
Up to 7 characters available for permanent stamping for Visual Key Control

- Key and cylinder identified by industry standard alpha-numeric keyset symbols
- Easy visual identification on the face of the plug (Item C or Item G or H) not available with XC, Signature or SFIC cylinders
- Concealed stamping on mortise and rim cylinders and bored lock cylinders available on the slide only (Item D or I)
- Cylinder-slide stamping available on 5100 and 6300 SARGENT Large Format Interchangeable (Removable) Cores, bored lock, mortise/rim cylinders (Item D, E & I)
- Core side engraving available for 7300B Series up to 7 characters (Item F)
- Special key stampings available, such as "DO NOT DUPLICATE" or "CITY OF PHOENIX"
- Degree, XC, and Signature cylinders not available with visual plug stamping
- Degree, XC, and Signature cylinders available with only concealed slide stamping (Item D, E and I) only
- Degree, XC, and Signature Large Format Interchangeable (Removable) Cores 10-6300 available with cylinder slide stamping (Item E, I D)

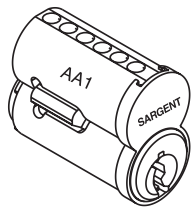
Note: SARGENT will stamp alternate identity codes on cylinders and/or keys whenever requested. This alternate stamping can not be different if both are to be stamped. Master Level Keys can also be stamped with a single alternate code. Alternate stamping must be consistent for key set on entire order for key and/or cylinder.



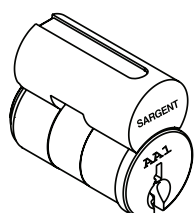
Item D



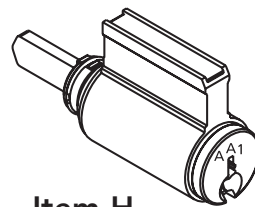
Item E



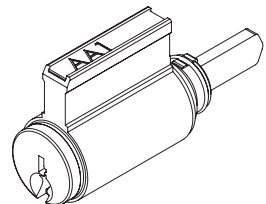
Item F



Item G



Item H



Item I

Tamper Proof Packaging

For the highest level of security for the end user, Tamper Proof Packaging is used on all Master Keys, Signature key blanks and all restricted key blanks. This heat sealed shrink wrap identified with "SARGENT Sealed For Your Security" provides assurance of the integrity of the factory generated key system.

Copyright © 2006-2024, Sargent Manufacturing Company, an ASSA ABLOY Group company. All rights reserved. Reproduction in whole or in part, without the express written permission of Sargent Manufacturing Company is prohibited.

90622 05/24

Master Keying and Cylinder Terms

Cylinders and Components

SARGENT requires all orders containing Master Keying details to be submitted using the industry standard D.H.I. ANSI/BHMA format. Key Symbols used on a master keyed order require combinations of letters and/or letters and numbers.

For complete details on proper structuring format of key symbols refer to:

D.H.I. Handbook Section 8 Finish Hardware KEYING SYSTEMS AND NOMENCLATURE or, ANSI/BHMA Standard A156.28, AMERICAN NATIONAL STANDARDS FOR KEYING SYSTEMS.

Or contact SARGENT for assistance.

Basic Keying Terms

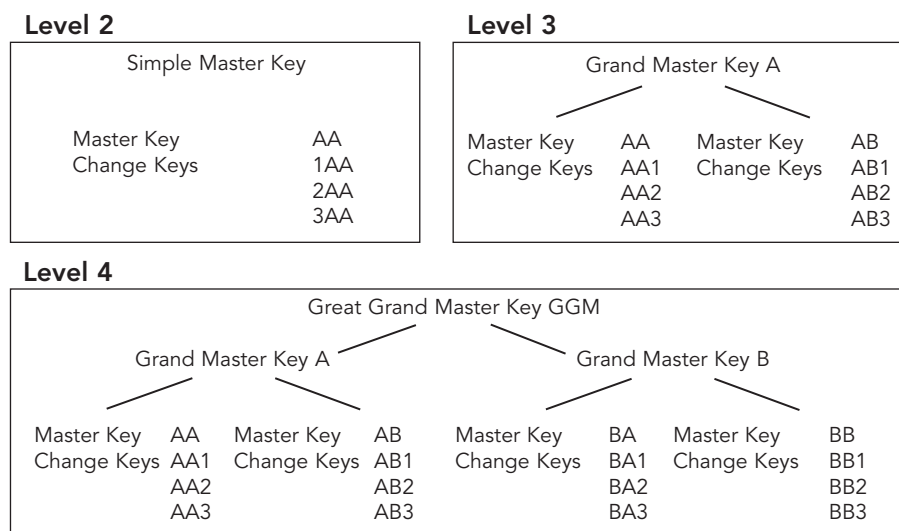
Keys and terms	Abbreviation	Definition
Change key	CK	Individual lock key
Masterkey	MK	Operates any given quantity of cylinders with different key changes
Grand Masterkey	GMK	Operates all individual locks already operated by masterkey(s)
Great Grand Masterkey	GGMK	Operates all locks under the various masterkey(s) and grand master key(s) already established
Emergency Key	EMK	Operates hotel locks having shut out feature which blocks entry by all other keys
Construction key	CMK	Operates all cylinders designated for a temporary period during construction
Control Key	CTL	Key to install or remove interchangeable or removable cores
Keyway	KWY	Broaching in a cylinder plug
Key section	KWY	Sidewarding on key to match broaching in plug
Single keyed	SKD	Cylinders operated by their change key only; not operated by any master key

Cylinder Terms

ALOA* adopted terms	Alternate terms
Shell	Cylinder body, Cylinder shell
Plug	Barrel, Cylinder barrel
Tail Piece	Connecting bar
Bottom Pins	Key pin, Ball end pins
Master Pins	Splits, Chips
Top Pins	Drivers
Change Key	Day key
Key Cut	Bit

* Associated Locksmiths of America

Examples of Master Key System Levels and Symbol Structure**



** Master key system levels greater than Level 4 are not recommended. Contact SARGENT Key Records for additional information

Master Key System Order Forms

Cylinders and Components

Master key leadsheets and order forms are informational documents that provide key system set-up details for the factory to design and process master key system requests. These documents can be accessed [here](#), via the website or by calling the key records dept at 800-727-5477.

Master Key Order Leadsheet

Note: Only One Leadsheet/Key System Per Purchase Order

Distributor Name: _____
 P.O. # _____
 Job Name* (will be used as the Key System Name on file): _____
*REQUIRED
 End User Name: _____
 Address: _____
 City: _____ State: _____ Zip: _____

(1) SYSTEM STATUS

- New (SARGENT Generated); Please complete System Design Section 2 below and identify Future Cylinder Features required in Section 7
- Field-Specified Bittings; Field-Specified Bittings must be attached if your order needs to be keyed to specific bittings
- Existing. Please complete one of the following:
 Registry Number*: _____
 TMK Bitting & Keyway: _____
 Prior SARGENT Order Number*: _____
*Used to locate keying information ONLY. All other order requirements must be identified in sections below.

(2) SYSTEM DESIGN LAYOUT (New Systems ONLY) - Select Level & Indicate Future Requirements

[Click here](#) for System Design Layout example

Please note, this section is for system layout only. Please provide estimated number of keys for future expansion. For cut key quantities, please refer to section 6.

<input type="checkbox"/> Level 4 GGMK	<input type="checkbox"/> Level 3 GMK	<input type="checkbox"/> Level 2 MK
# of Grand Masters under Great Grand Master	# of Masters under the Grand Master	# of Changes under Master
# of Masters under each Grand Master	# of Changes under each Master	
# of Changes under each Master		

- 5-Pin System 6-Pin System (Default) 7-Pin System

Additional Information (Please complete the following if your system will have Sub-Master level or SKDs)

- SubMaster Keying Level Required: See Keying Notes Attached
 # of SubMaster Keys under each Master _____
 # of Change Keys under each SubMaster _____
- SKD's No of Different SKDs: _____

(3) SYSTEM TYPE (Required for New Systems only)

- Conventional (Sargent Std, includes Signature) Degree KESO SFIC (Best)

Note: Select Future Cylinder Features required in Section 7.

Conventional (Non-removeable Core, LFIC (prefix 63), XC (prefix 11), Signature (prefix 10)); Degree (prefixes DG1, DG2, DG3); Keso (prefixes 82, 83); SFIC (prefixes 73, 11-73).

(4) KEY WAY (Only required if you need a specific keyway)

Keyway Selection: SARGENT Manufacturing will assign keyways unless specified otherwise below.

- Customer Specified Keyway _____

Use of Restricted Keyways (A, B, G, V, K, N and 4B) have to be pre-approved by SARGENT Key Records.

Notes

Cylinders and Components

The ASSA ABLOY Group is the global leader in access solutions. Every day, we help billions of people experience a more open world.

ASSA ABLOY Opening Solutions leads the development within door openings and products for access solutions in homes, businesses and institutions. Our offering includes doors, frames, door and window hardware, mechanical and smart locks, access control and service.

SARGENT[®]
ASSA ABLOY

SARGENT Manufacturing Company
100 Sargent Drive
New Haven, CT 06511 USA
800-727-5477
www.sargentlock.com

Founded in the early 1800s, SARGENT[®] is a market leader in locksets, cylinders, door closers, exit devices, electro-mechanical products and access control systems for new construction, renovation, and replacement applications. The company's customer base includes commercial construction, institutional, and industrial markets.

Copyright © 2006-2024, SARGENT Manufacturing Company. All rights reserved. Reproduction in whole or in part without the express written permission of SARGENT Manufacturing Company is prohibited. Patent pending and/or patent www.assaabloydss.com/patents.