

DL Series

Tubular Lock

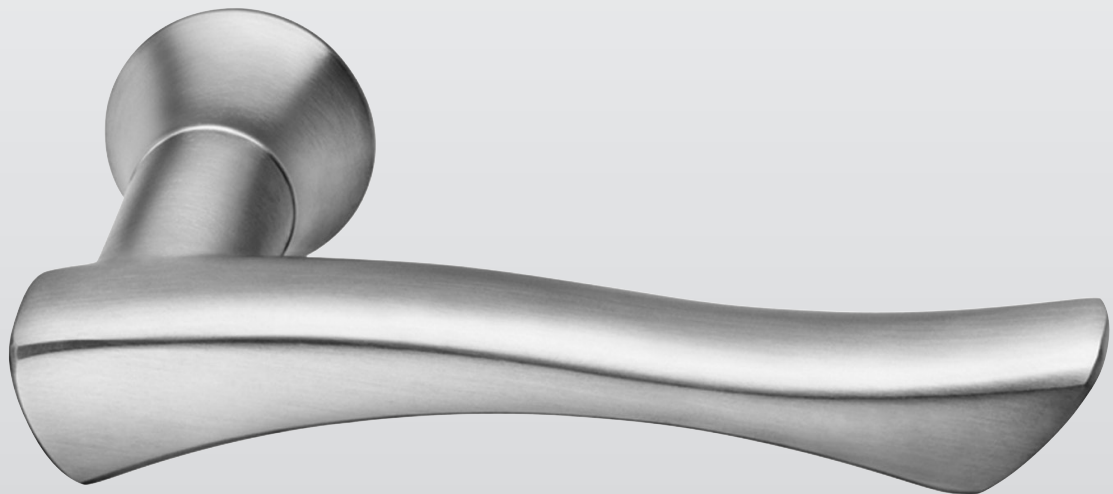


Table of Contents

DL Series Tubular Locks

Specifications, Functions & Options.	3
Simpli™ Roseless Trim and RDL Series Locks	4
Studio Collection Levers	5-7
Ordering Gramercy Series Levers	8
Coastal Series™ & Standard Levers	9
Roses & Finishes	10
Strikes	11
Architectural Specifications	12

MicroShield®

ASSA ABLOY Group companies offer MicroShield®, an antimicrobial coating for door hardware. MicroShield uses proven silver ion-based technology from Agion®, a leading provider of antimicrobial solutions, to stem the spread of bacteria and other microbes.

MicroShield® is a registered trademark of ASSA ABLOY Access and Egress Hardware Group, Inc.



The Agion antimicrobial is not intended as a substitute for good hygiene. Coated products must still be cleaned to ensure the surfaces will be free of destructive microbes. ASSA ABLOY makes no representations or warranties, express or implied, as to the efficacy of the Agion antimicrobial. A copy of the Agion warranty is available upon request. Agion is a registered trademark of Agion Technologies, Inc., Wakefield, MA, USA.

Copyright © 2004-2022, SARGENT Manufacturing Company. All rights reserved. Reproduction in whole or in part without the express written permission of SARGENT Manufacturing Company is prohibited. Patent pending and/or patent www.assaabloyds.com/patents.

Specifications, Functions & Options

DL Series Tubular Locks



DL Series Tubular Lock

The DL Series tubular lock is designed for ease of installation with the quality you expect from the SARGENT name. The DL Series exceeds the expectations of the most demanding architects and design professionals. All Studio Collection and Coastal Series levers, as well as standard levers, can be used with the DL. Ideal interior applications include hotel guest rooms, high-end apartments, and condominiums.

General Information

- For doors 1-3/8" (35mm) to 1-3/4" (44mm) thick standard
- 2-3/4" (70mm) Backset standard with square corner front, 2-1/4" x 1-1/8" (57mm x 29mm) (specify 20- for 2-3/8" (60mm) backset)
- ANSI Standard 161 Door Prep (Except 93 & 94)
- Latchbolt brass 1/2" (13mm) projection
- Specify hand of lock on order; easily field reversible
- Warranty: 1 Year

Note: Any retrofit or other field modification to a fire rated opening can potentially impact the fire rating of the opening, and Sargent Manufacturing Company makes no representations or warranties concerning what such impact may be in any specific situation. When retrofitting any portion of an existing fire rated opening, or specifying and installing a new fire-rated opening, please consult with a code specialist or local code official (Authority Having Jurisdiction) to ensure compliance with all applicable codes and ratings.

Description	Series & Function	
<ul style="list-style-type: none"> • Both levers retract latch • Ideal for closets & bedrooms 	DLU15 Passage	
<ul style="list-style-type: none"> • Blank rose outside • Lever retracts latch 	DLU15-3 Communicating	
<ul style="list-style-type: none"> • I/S lever always retracts latch • O/S lever retracts latch, except when locked by inside push button • Closing door unlocks outside lever • Includes emergency release • Ideal for bathrooms & home offices • Not available with H008, H009, and H011 levers 	DLU65 Privacy	
<ul style="list-style-type: none"> • Lever always rigid • No latch included • Ideal for pantries & closets • Surface Mounted* 	DLU93 Single Lever Pull	
<ul style="list-style-type: none"> • Levers always rigid • No latch included • Ideal for sliding doors • Through-bolted 	DLU94 Double Lever Pull	

* DLU93 Single Lever Pulls are recommended for use on solid wood or metal doors

Available Options

12	UL Listed for 3 hour Fire Rated doors
13	Lockset x Front & Strike with 1/4" Radius and 2-3/8" Backset
14	505 Full lip strike
20	2-3/8" backset latch with square corner front 2-1/4" x 1" front
28	Strike #808. Lip length 1-1/4"
31	1-7/8" to 2" thick door—only centered in door
SG	MicroShield® – an antimicrobial powder coat (Available on 15, 26D, and 32D Finishes only)
TB	Through-bolting for DLU93 Function
WBS	Wrought Box Strike

How to Order DL Series Tubular Locks:

Series	Function	Rose	Lever	Finish
DL	U15	TO	MM	26D

Simpli™ Roseless Trim and RDL Locks

Information and Functions

SARGENT
ASSA ABLOY



Simpli™ Roseless Trim and RDL Tubular Locks

This elegant trim by SARGENT seamlessly unifies the lever and the door. Compatible with most Studio Collection and Coastal Series designer levers, Simpli™ creates a flawless aesthetic vision on any door opening.

Simpli is offered on the RDL Series tubular lock, which was specially designed to accept the roseless trim. In addition to the RDL Series, Simpli is also available with the R8200 Series mortise locks and Harmony R8200 Series mortise locks.

- RDL Series with Simpli trim is available with all DL functions
- Available with Coastal Series and many Studio Collection levers (except MC, MK, MN, MP, MT, Gramercy Series, Wooster Square, Grant Park and Berlin)
- Selected levers return within 1/2" of the door face
- Simpli roseless trim is not compatible with DL latches; can only be used with RDL locks

General Information

- For doors 1-3/4" (44mm) thick
- RDL is UL Listed for 3 hour Fire Rated doors
- 2-3/4" (70mm) Backset standard with square corner front, 2-1/4" x 1-1/8" (57mm x 29mm) (specify 20- for 2-3/8" (60mm) backset)
- Latchbolt brass 1/2" (13mm) projection
- Specify hand of lock on order; easily field reversible
- Warranty: 1 Year

Note: Special door prep templates required. This product is not compatible with 160/161 cylindrical lock preparations

Description

Series & Function

<ul style="list-style-type: none"> • Both levers retract latch • Ideal for closets & bedrooms 	RDLU15 Passage	
<ul style="list-style-type: none"> • Blank rose outside • Lever retracts latch 	RDLU15-3 Communicating	
<ul style="list-style-type: none"> • I/S lever always retracts latch • O/S lever retracts latch, except when locked by inside push button • Closing door unlocks outside lever • Includes emergency release • Ideal for bathrooms & home offices 	RDLU65 Privacy	
<ul style="list-style-type: none"> • Lever always rigid • No latch included • Ideal for pantries & closets • Through-bolted 	RDLU93 Single Lever Pull	
<ul style="list-style-type: none"> • Levers always rigid • No latch included • Ideal for sliding doors • Through-bolted 	RDLU94 Double Lever Pull	

Available Options

1	For doors 1-3/8" (35mm) Thick
13	Lockset x Front & Strike with 1/4" Radius and 2-3/8" Backset
14	505 Full lip strike
20	2-3/8" backset latch with square corner front 2-1/4" x 1" front
28	Strike #808. Lip length 1-1/4"
SG	MicroShield® – an antimicrobial powder coat (Available on 15, 26D, and 32D Finishes only)
WBS	Wrought Box Strike

How to Order RDL Series Tubular Locks:

Series	Function	Rose	Lever	Finish
RDL	U15	R	MM	26D

Note: Roseless trim requires the use of RDL locks. Use the letter R for the Rose when specifying roseless trim.

Studio Collection Levers

DL & RDL Series Tubular Locks

SARGENT
ASSA ABLOY



Aventura Series

Odéon Series (Handed Levers)

MB			MN ^{2,3}		
ME			MH ³		
MF			MK ^{2,3}		
MG			MS ³		
MI			MU ³		
MW ¹			MV ³		
NF ¹			NS ^{1,3}		
			NU ^{1,3}		
			MX ^{1,3}		

All levers are ADA compliant.

¹ Lever returns within 1/2" (13mm) of door face

² Not available with Simpli™ roseless trim

³ Not available in 32D or 32 finish

Experience a safer
and more open world

1-800-727-5477 • www.sargentlock.com

5

Copyright © 2004-2022, SARGENT Manufacturing Company. All rights reserved. Reproduction in whole or in part without the express written permission of SARGENT Manufacturing Company is prohibited. Patent pending and/or patent www.assaabloyds.com/patents.

90102 05/22

Studio Collection Levers

DL & RDL Series Tubular Locks

SARGENT
ASSA ABLOY

Centro Series

MC ^{2,3}		
MD		
MJ		
MP ^{2,3}		
ND ¹		
NJ ¹		

Berlin Series²

H015		
H016 ¹		
H017		
H018		

Notting Hill Series



MA ³		
MQ ³ Handed		
MT ^{2,3} Handed		
MM ³ Handed		
MY ^{1,3} Handed		
MO ³		
MZ ^{1,3} Handed		

Copyright © 2004-2022, SARGENT Manufacturing Company. All rights reserved. Reproduction in whole or in part without the express written permission of SARGENT Manufacturing Company is prohibited. Patent pending and/or patent www.assaabloyds.com/patents.

¹ Lever returns within 1/2" (13mm) of door face

² Not available with Simpli™ roseless trim

³ Not available in 32D or 32 finish

All levers are ADA compliant.

Studio Collection Levers

DL & RDL Series Tubular Locks



Gramercy Series^{2/3}

RCM		
RAL		
REM		
RAM		
RAS		
RAG		
RGM		

Wooster Square^{2/4}

H001		
H002 ¹		
H003		
H004		
H005 ¹		
H006 ¹		

Grant Park²

H007		
H008 Handed		Not available with DLU65
H009		Not available with DLU65
H010		
H011		Not available with DLU65

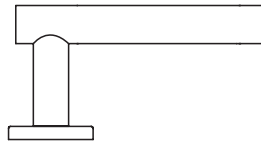
- ¹ Lever returns within 1/2" (13mm) of door face
- ² Not available with Simpli™ roseless trim
- ³ Gramercy levers are customized; refer to page 8 for ordering information
- ⁴ H003-H006 - Contain white or black polycarbonate inserts. Not available with MicroShield® antimicrobial coating.

All levers are ADA compliant.

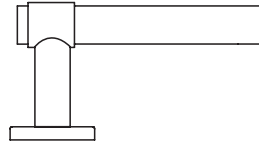
Ordering Gramercy Series Levers

DL Series Tubular Locks

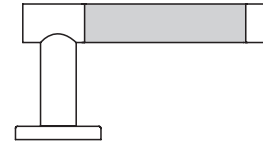
Gramercy Series Levers (DL Series Only)



REM, RGM



RCM



RAG, RAL, RAM, RAS

Gramercy Finish Codes

ANSI/BHMA Finish	SARGENT Finish	Gramercy Code*	Description
630	32D	30	Satin Stainless Steel
629	32	29	Bright Stainless Steel
613E	10BE	3E	Dark Oxidized Satin Bronze, Equivalent
N/A	BSP	BS	Black Suede Powder Coat
N/A	WSP	WS	White Suede Powder Coat
N/A	N/A	BK	Black (Santoprene™ or leather insert)
N/A	N/A	BN	Brown (leather insert)

*Code used to specify Gramercy Series finishes only. Use available finishes list to specify desired finish when ordering.

Gramercy Lever Descriptions & Available Finishes

Lever Designation	Lever Description	Available Finishes (AS ORDERED)
RAG	Grooved Insert	3030, 2929, 2930, 3029, 3E3E, BSBS or WSWS
RAL	Leather Insert	30BK, 30BN, 29BK, 29BN, 3EBK3E, BSBKBS, WSBKWS, 3EBN3E, BSNBBS or WSNBWS
RAM	Metallic Insert	2930 or 3030
RAS	Santoprene Insert	30BK30, 29BK29, 3EBK3E, BSBKBS or WSBKWS
RCM	Raised Band	2930, 2929, 3030, 3029, 3E3E, BSBS or WSWS
REM	Plain	2929, 3030, 3E3E, BSBS or WSWS
RGM	Two Grooves	2929, 3030, 3E3E, BSBS or WSWS

2930 Finish: grip of lever is 32D, balance of lever is 32. Rose and lock finish will be 32.

3029 Finish: grip of lever is 32, balance of lever is 32D. Rose and lock finish will be 32D.

To order Gramercy Series levers with SARGENT products, see the examples below. When specifying finish, use the last two digits of the ANSI/BHMA standard finish code, i.e. use "29" for polished stainless, ANSI/BHMA finish 629.

How to Order DL Series Locks with Gramercy Levers

Options	Series	Function	Roses	Lever	Finish
Select from page 3	DL	Select from page 3	Select from page 10	Leather insert	Bright stainless steel with brown leather
28-	DL	U65	TO	RAL	29BN29

Gramercy Levers are available with E2, O, CO & TO roses; DLU93 & DLU94 functions are also available with E3, CR, LN & TR roses.

Coastal Series™ & Standard Levers

DL Series Tubular Locks

Coastal Series™ (DL & RDL Series)

<p>G - Gulfport™ Handed</p>			<p>S - Sanibel™ Handed</p>		
<p>R - Rockport™</p>			<p>Y - Yarmouth™ Handed</p>		

Note: Not available in 32D or 32 finish

Standard Levers (DL Series Only)

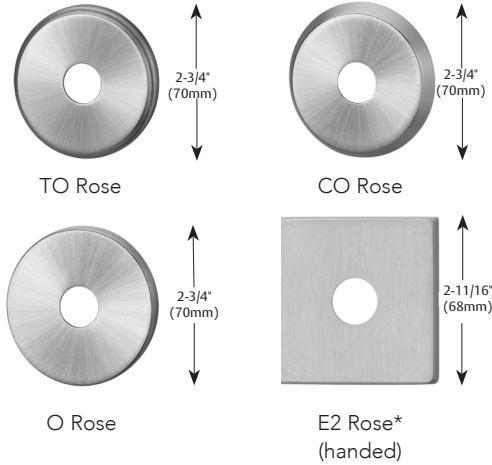
<p>A Handed</p>			<p>J</p>		
<p>B</p>			<p>L</p>		
<p>E</p>			<p>P</p>		
<p>F</p>			<p>W</p>		

Copyright © 2004-2022, SARGENT Manufacturing Company. All rights reserved. Reproduction in whole or in part without the express written permission of SARGENT Manufacturing Company is prohibited. Patent pending and/or patent www.assaabloyds.com/patents.

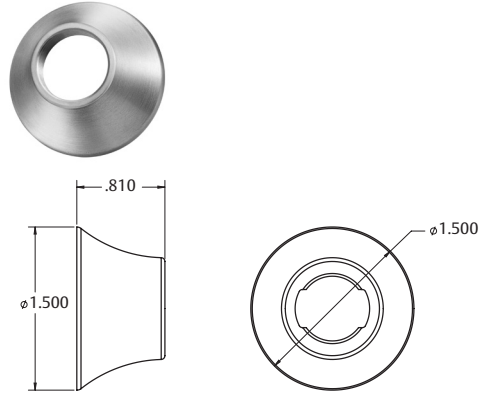
Roses & Finishes

DL & RDL Series Tubular Locks

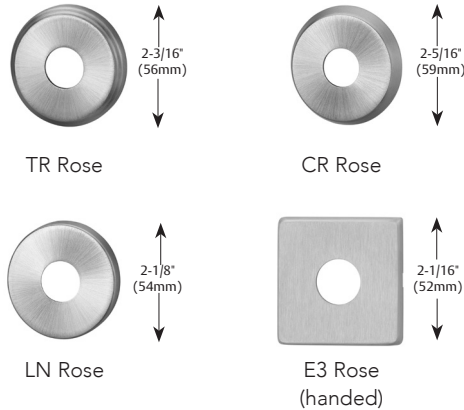
DL Tubular Lock Roses



Simpli™ Roseless Trim



Additional Roses for DLU93 and DLU94 Functions Only



Finishes for RDL & DL Series

SARGENT	Description	ANSI/BHMA
03	Bright brass, clear coated	605
04	Satin brass, clear coated	606
09	Bright bronze, clear coated	611
10	Satin bronze, clear coated	612
10B	Dark oxidized satin bronze, oil rubbed	613
10BE	Dark oxidized satin bronze, equivalent	(613E)
10BL	Oxidized satin bronze, clear coated	614
14	Bright nickel plated, clear coated	618
15*	Satin nickel plated, clear coated	619
20D	Statuary dark bronze, clear coated	624
26	Bright chrome plated	625
26D*	Satin chrome plated	626
32	Bright stainless steel	629
32D*	Satin stainless steel	630
BSP	Black Suede Powder Coat	—
WSP	White Suede Powder Coat	—

***CAUTION:**
Cannot retrofit on existing cylindrical lock door preps with through-bolt holes outside the 2-1/8" bored hole.

Note: Gramercy Series levers only offered in 32 and 32D.

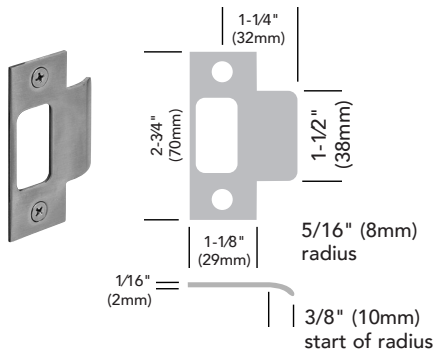
Refer to page 8 for ordering information.

* MicroShield® - optional designate SG- option (Available on 15, 26D, and 32D Finishes only)

Strikes

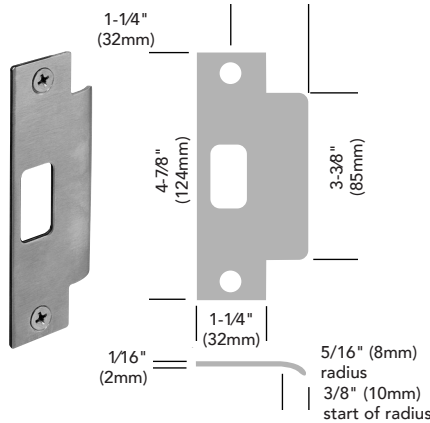
DL and RDL Series Tubular Locks

2-3/4" Curved Lip Strike – Standard



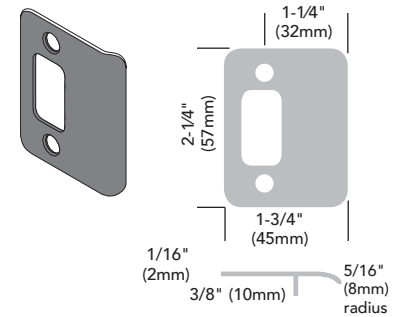
- Furnished standard with 1-1/4" (32mm) curved lip from center of strike screw holes to end of lip
- Lip lengths 1" (25mm), 1-1/4" (32mm) standard, 1-1/2" (38mm), 1-3/4" (44mm) and 2" (51mm)
- To order strike separately, specify 800 strike x finish x lip length

4-7/8" Curved Lip Strike: (28-Option)



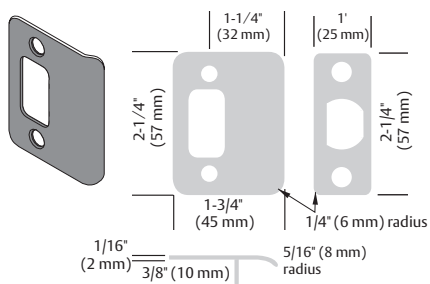
- Conforms to ANSI standard
- Furnished standard with curved lip 1-1/4" (32mm) from center of strike screw holes to end of lip
- Lip lengths: 7/8" (22mm), 1-1/8" (29mm), 1-1/4" (32mm), 1-3/8" (35mm), 1-5/8" (42mm), 1-7/8" (48mm), 2-1/8" (54mm), 2-3/8" (60mm), 2-5/8" (66mm), 2-7/8" (73mm) and 3" (76mm)
- To order strike separately, specify 808 strike x finish x lip length

2-1/4" Full Lip Strike (14- Option)



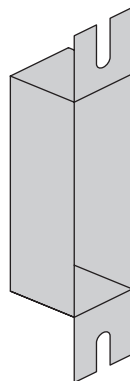
- Furnished standard with curved lip 1-1/4" (32mm) from center of strike screw holes to end of lip
- No other lip lengths available
- To order strike separately, specify: 505 strike x finish

2-1/4" (57 mm) Full Lip Strike (13- Option)



- Lockset x Front and Strike with 1/4" (32 mm) Radius and 2-3/8" (60 mm) Backset
- To order strike separately, specify: 505 x finish
- Adjustable tab to reduce door movement when latch engaged in strike standard

ANSI Wrought Strike Box



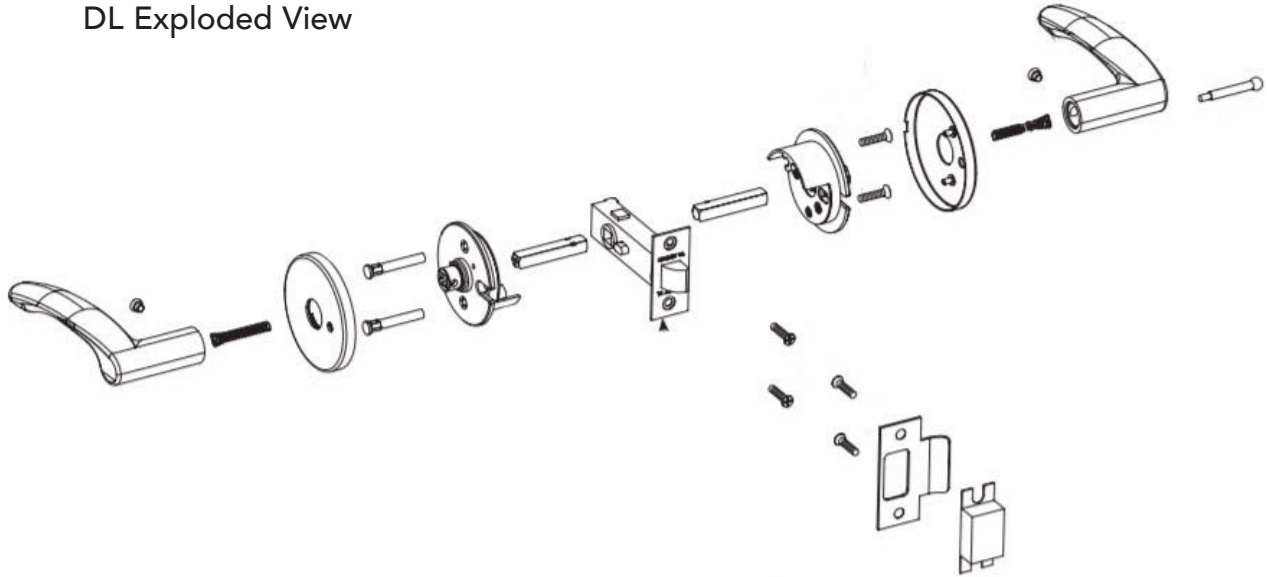
- Used with ANSI 4-7/8" (124 mm) strike (#808)
- To order with lock, specify option WBS
- To order separately, specify 77-1141

Architectural Specifications

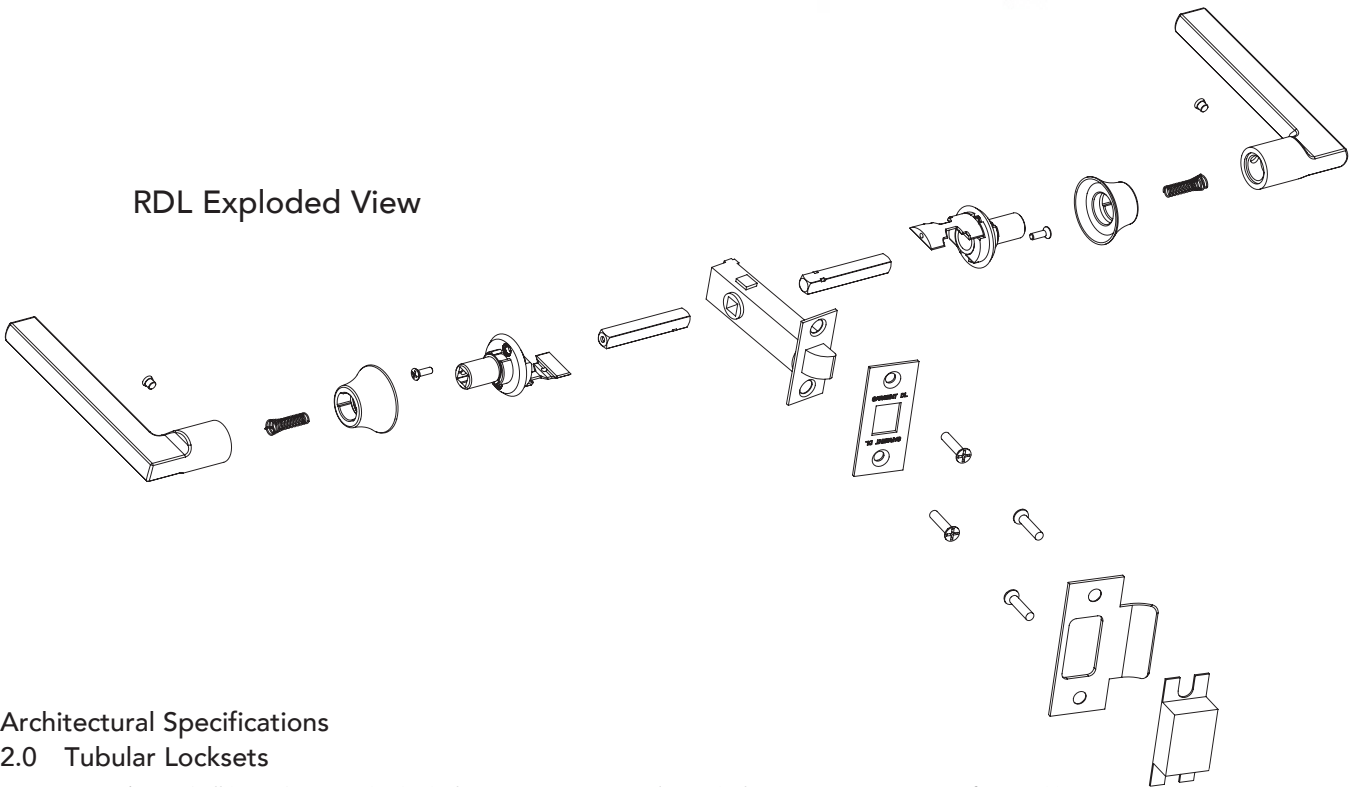
DL Series Tubular Locks

SARGENT
ASSA ABLOY

DL Exploded View



RDL Exploded View



Architectural Specifications

2.0 Tubular Locksets

- A. Locksets shall be either standard tubular (DL Series) or roseless tubular (RDL Series) as manufactured by SARGENT Manufacturing Company, New Haven, CT.
- B. Locks shall be non-handed with bi-directional lever operation.
- C. The DL Series locks mount in a standard ANSI 161 door preparation (2-1/8 inch dia.) without additional through-bolt preps. RDL Series require special custom door preparation.
- D. Lockset levers shall be made of solid material with no plastic fillers.
- E. Locks shall have a 2-3/4" (70mm) backset standard, with 2-3/8" (60mm) offered as an option.
- F. Strikes shall be non-handed with a curved lip.
- G. Locks shall have a one year limited warranty.

Copyright © 2004-2022, SARGENT Manufacturing Company. All rights reserved. Reproduction in whole or in part without the express written permission of SARGENT Manufacturing Company is prohibited. Patent pending and/or patent www.assaabloyds.com/patents.

90102 05/22

Notes

DL Series Tubular Locks

The ASSA ABLOY Group is the global leader in access solutions. Every day, we help billions of people experience a more open world.

ASSA ABLOY Opening Solutions leads the development within door openings and products for access solutions in homes, businesses and institutions. Our offering includes doors, frames, door and window hardware, mechanical and smart locks. access control and service.



SARGENT Manufacturing Company
100 Sargent Drive
New Haven, CT 06511 USA
800-727-5477
www.sargentlock.com

Founded in the early 1800s, SARGENT® is a market leader in locksets, cylinders, door closers, exit devices, electro-mechanical products and access control systems for new construction, renovation, and replacement applications. The company's customer base includes commercial construction, institutional, and industrial markets.

Copyright © 2004-2022, SARGENT Manufacturing Company. All rights reserved. Reproduction in whole or in part without the express written permission of SARGENT Manufacturing Company is prohibited. Patent pending and/or patent www.assaabloydss.com/patents.