

# Keso F1

## High Security Cylinders



# Specification

## Keso F1 High Security Cylinders



### Table of Contents

Features, Benefits and Applications. . . . . 3

Mortise Type Cylinders. . . . . 4

Rim Type Cylinders. . . . . 5

Key-In-Knob/Lever Cylinders . . . . . 6

Removable Cores/Construction Keying and General Information. . . . . 7

Padlocks and Utility Locks . . . . . 8

UL437 Keso F1 Security System Cylinders. . . . . 9

Cams for Keso F1 and Keso Security Cylinders. . . . . 10

Field Maintenance, Keso F1 and Keso Service Center and Shipping Schedules . 11

How To Order . . . . . 12

### SARGENT Keso F1- Security System

#### The Proprietary Key System

The system offers the building owner full control over duplication of keys, highly pick-resistant cylinders, expanded levels of masterkeying and many more safe day key changes. The SARGENT Keso F1 Security System is available for all SARGENT mortise locks, key-in-knob 8 Line, 9 Line, key-in lever

10 Line, 11 Line, 80 Series and 90 Series exit devices. Removable core and construction core cylinders are included in the system as well. Non-removable core mortise and rim cylinders are available in a UL437 version.

Patent pending and/or patent [www.assaabloydss.com/patents](http://www.assaabloydss.com/patents)



SARGENT will continue to offer and support the original Keso cylinder and keys, but we encourage users to easily upgrade their systems by integrating Keso F1 into their system. The Keso F1 is an enhanced and patented version of the original Keso. All SARGENT products offered with the Keso F1 are still available with the original Keso cylinders and keys. To order the original Keso, simply leave off the F1-prefix, as specified in this catalog.

**Special Note: The Keso F1 keys will operate Keso F1 cylinders and existing Keso cylinders, but existing Keso keys will NOT operate F1 cylinders.**

Copyright © 2004-2023, SARGENT Manufacturing Company. All rights reserved. Reproduction in whole or in part without the express written permission of SARGENT Manufacturing Company is prohibited. Patent pending and/or patent [www.assaabloydss.com/patents](http://www.assaabloydss.com/patents).

# Features, Benefits and Applications

## Keso F1 High Security Cylinders

### Features and Benefits

The SARGENT Keso F1 Security System offers the building owner full control over field duplication of keys, highly pick-resistant cylinders, expanded levels of master keying and a proprietary patented key system. With the Keso F1 cylinder, it is impossible to determine the configuration of the key system or its upper level master keys by examining the pinning configuration, providing the highest level of key system security available on the market today!

The Keso F1 cylinders incorporate the same unique 12 pins as in the time-proven Keso product line along with advanced patented features. These features are compatible with existing Keso key systems. Existing Keso users can integrate F1 products into their systems in order to regain control of master keying quickly and effectively.

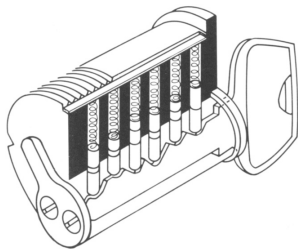
#### **F1 keys will operate existing Keso cylinders, but existing Keso keys will not operate Keso F1 cylinders.**

The Keso F1 cylinder has 12 pins located in 3 rows on 3 intersecting axes, making it virtually impossible to gain access through manipulation. The position of the pin holes and the length of the pins in each row vary. While maintaining the 3 banks of pins, the Keso F1 product adds an additional dimpling dimension to the key blank offering a greater range of both change and master key combinations. This greatly expands master keying capabilities to both new and existing end users.

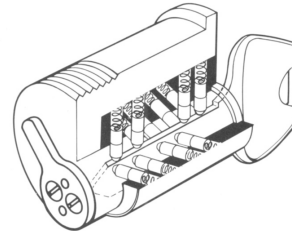
The F1 key is symmetrical and reversible. The dimpled key requires sophisticated key-cutting equipment. The unique 6-sided F1 key is not warded or cut away and therefore much stronger than a conventional key. This makes it an ideal choice for highly abusive applications. Each keying system has its own unique combination of key pin lengths and positions. There is never a chance of one keying system duplicating another.

Keso F1 UL437 versions provide a maximum level of pick and drill resistance. Perfect for any high abuse application that requires strict key control and resistance to vandalism. UL437 versions are available for mortise and rim cylinders.

Conventional Cylinder



Keso F1 Cylinder



|   |  |   |
|---|--|---|
| <p><b>Strength &amp; Durability</b></p> <ul style="list-style-type: none"> <li>• Cylinder has 12 pins unlike most cylinders with only 6 pins</li> <li>• Unique 6-sided dimpled key is much stronger than warded keys</li> <li>• Precise manufacturing and the absence of splits makes the cylinder highly pick-resistant</li> </ul> <p><b>Convenience</b></p> <ul style="list-style-type: none"> <li>• Compatible with existing non-patented Keso key systems</li> <li>• UL 437 version available for mortise and rim cylinders</li> <li>• Key is symmetrical and reversible</li> <li>• Removable core versions available</li> <li>• Temporary Construction core available</li> </ul> | <p><b>Flexibility</b></p> <ul style="list-style-type: none"> <li>• Up to 7 levels of master keying available</li> <li>• 100,000 different key pin patterns available within any one installation</li> <li>• Keso F1 cylinders can be retrofitted to original Keso cylinders</li> <li>• Keso F1 key will operate existing old style Keso cylinders</li> </ul> <p><b>Security</b></p> <ul style="list-style-type: none"> <li>• Patented protection for both key and cylinder</li> <li>• F1 keys can not be legally duplicated</li> <li>• Owners' authorization required for any F1 keys/locks</li> <li>• Pick resistance</li> <li>• Impossible to determine configuration key system by examining pinning configuration</li> <li>• Every key stamped with the key system registration # and with key #</li> <li>• Keysets also optionally available to be stamped on keys</li> </ul> | <p><b>Applications</b></p> <ul style="list-style-type: none"> <li>• Government Buildings</li> <li>• Police Stations</li> <li>• Hospitals</li> <li>• Schools</li> <li>• Colleges</li> <li>• Detention Centers</li> <li>• Psychiatric Wards</li> <li>• Any high abuse application that requires strict key control and resistance to vandalism</li> </ul> |
|---|--|---|

# Mortise Type Cylinders

## Keso F1 High Security Cylinders



### Mortise Type Cylinders

#### F1-70 Series Mortise Type Cylinders



Brass, bronze and stainless steel  
 Finishes: 03, 04, 09, 10, 10B, 10BE, 10BL, 14, 15, 20D, 32, 32D, BSP, WSP  
 Cylinder plugs/barrels are available in the following finishes: 04, 15, or BSP.

Consult individual catalogs/parts pages for collar options ordered separately.

Hotel or 50 function: Mortise locks require a 50 Function cylinder and a 50 Function cam (115 Cam). The cylinders for the hotel/50 function mortise locks are specified with a 115 cam suffix.

Optional short cams (105 cam) are required for the inside cylinder of 16 and 92 function Mortise locks and are specified with a 105 cam suffix.

When no cam is specified, the SARGENT standard offset cam (p/n 13-2563) will be supplied (see page 10 for cam options).

- To order with hardware, specify F1-82-
- Example: F1-82-8243 x LNL 32D

**Note:** Use a 50 function to designate a mortise lock hotel functions.

#### How to Order Keso F1 Mortise Cylinders

| Mortise Cylinder Lengths | Keso F1 Mortise Cylinder with a Standard Cam | 50 Function Keso F1 Cylinders with a Hotel Cam (70-115 Cam) | Keso F1 I/S Cylinder for 78/8216 & 92 Functions with a 105 Cam |
|--------------------------|--|---|--|
| 1-1/8"                   | F1-71  | N/A   | F1-71-105  |
| 1-1/4"                   | F1-72  | F1-72-115   | F1-72-105  |
| 1-3/8"                   | F1-73  | F1-73-115   | F1-73-105  |
| 1-1/2"                   | F1-74  | N/A   | F1-74-105  |
| 1-3/4"                   | F1-76  | N/A   | F1-76-105  |

#### F1-170 Series Removable Core Mortise Type Cylinders



Brass, bronze and stainless steel  
 Finishes: 03, 04, 09, 10, 10B, 10BE, 10BL, 14, 15, 20D, 32, 32D, BSP, WSP

Core supplied in either 4 or 26D finish. Consult individual catalogs/parts pages for collar options ordered separately.

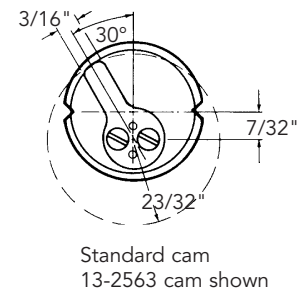
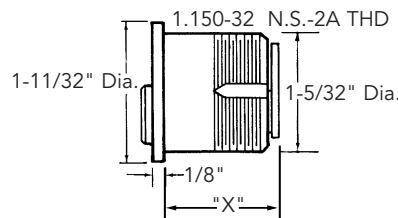
A different, shorter #105 cam (p/n 13-2522) is required for the inside cylinder of 16 and 92 function Mortise locks. Inside cylinders, when ordered without hardware, for 78/8216 & 92 functions are to be specified with the 105 Suffix.

Removable core cylinders are not available for hotel function Mortise locks (50 Function). When no cam is specified, the SARGENT offset cam (p/n 13-2563) will be supplied.

The cam is directly attached to the core. Only SARGENT standard offset cams (13-2563), 78/8216 function inside 105 cam (13-2522) and ADAMS RITE 101 cam (13-2521) are available on the removable core series.

- To order with hardware, specify F1-83-
- Example: F1-83-8205 x LNJ 32D

F1-70 Series Cylinder



#### How to Order Keso F1 Removable Core Mortise Cylinders and Cores

| Mortise Cylinder Lengths | Keso F1 Removable Core Mortise Cylinders with a Standard Cam | Keso F1 Removable Core with Standard Cam (Core Only) | Keso F1 Removable Core Mortise Cylinders for 78/8216 & 92 Mortise Functions (Inside) with a 105 Cam | Keso F1 Removable Core with a 105 Cam, for 78/8216 & 92 (inside) Mortise Function (Core Only) | 84-Keso Removable Construction Core Mortise Cylinders with Standard Cam | 84-Keso Removable Construction Core Mortise Cylinder with a 105 Cam, for 78/8216 & 92 (inside) Mortise Function | Mortise Housing Less Core | Mortise Construction Core Only |
|--------------------------|--|--|---|---|---|---|---------------------------|--------------------------------|
| "X"                      |  |  |   |   |   |   |                           |                                |
| 1-1/8"                   | N/A  | N/A  | N/A   | N/A   | N/A   | N/A   | N/A                       | N/A                            |
| 1-1/4"                   | F1-172   | F1-5172  | F1-172-105  | F1-5172-105   | 84-172  | 84-172-105  | 072                       | 5472                           |
| 1-3/8"                   | F1-173   | F1-5173  | F1-173-105  | F1-5173-105   | 84-173  | 84-173-105  | 073                       | 5473                           |
| 1-1/2"                   | F1-174   | F1-5174  | F1-174-105  | F1-5174-105   | 84-174  | 84-174-105  | 074                       | 5474                           |
| 1-3/4"                   | F1-176   | F1-5176  | F1-176-105  | F1-5176-105   | 84-176  | 84-176-105  | 076                       | 5476                           |

#### Notes:

- A Keso F1 Removable Core is determined by the Keso F1 Core, not the housing. Therefore, the 84- is a non F1- product. The housings for Keso F1- 83- and 84- are the same housings.
- 84-Removable Construction Core Cylinders are for temporary use and are NOT available in Keso F1. Once construction is completed the Keso F1-83- Removable Cores will be installed (78/8216 & 92 Functions require the 105 Suffix).
- Keso F1 Removable Core Cylinders are not available for 50 Function Hotel Locks.

Copyright © 2004-2023, SARGENT Manufacturing Company. All rights reserved. Reproduction in whole or in part without the express written permission of SARGENT Manufacturing Company is prohibited. Patent pending and/or patent www.assaabloyds.com/patents.

90107 06/23

# Rim Type Cylinders

## Keso F1 High Security Cylinders

### Rim Type Cylinders

#### F1-64 Series Rim Type Cylinders



Brass, bronze and stainless steel  
Finishes: 03, 04, 09, 10, 10B, 10BE, 10BL, 14, 15, 20D, 32, 32D, BSP, WSP

Cylinder plugs/barrels are available in the following finishes: 04, 15, or BSP.

For use with SARGENT Exit Devices.

When ordered separately, cylinders will be furnished with "Break-off" screws and back plate. Consult individual catalogs/parts pages for collar options ordered separately.

- To order with hardware, specify F1-82-

#### F1-164 Series Rim Type Removable Core Cylinders



Brass, bronze and stainless steel  
Finishes: 03, 04, 09, 10, 10B, 10BE, 10BL, 14, 15, 20D, 32, 32D, BSP, WSP

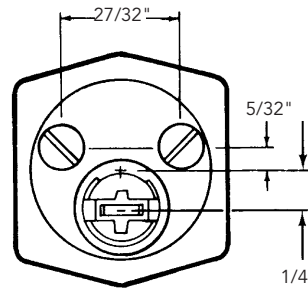
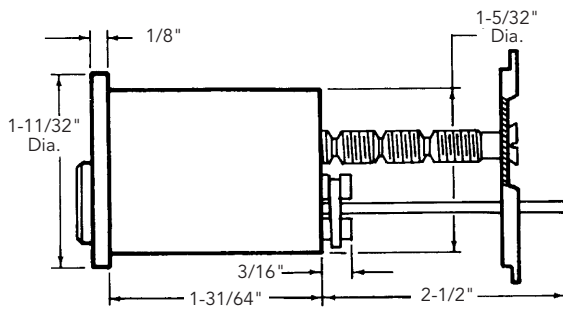
For use with SARGENT Exit Devices. Use 84- Prefix when construction keying is needed.

When ordered separately, cylinders will be furnished with

"Break-off" screws and back plate. Consult individual catalogs/parts pages for collar options ordered separately.

- To order with hardware, specify F1-83-
- Example: F1-83-8804 x ETL 32D

**Note:** The rim cylinder less core would be ordered as 064 x finish. Collars, rosettes, back plates p/n 13-0086 and screws p/n 13-0074 are to be ordered separately.



- Example: F1-82-8804 x ETL 32D

#### How to Order Keso F1 Rim Cylinders Separately

| Door Thickness without Trim | Keso F1 Rim Type Cylinder | Keso F1 Rim Type Removable Core Cylinders | Keso F1 Rim Type Removable Cores Only | 84-Keso Rim Type Removable Construction Core Cylinders | Keso Rim Cylinder less core (screws and back plates to be ordered separately) |
|-----------------------------|---------------------------|---|---------------------------------------|--|---|
| 1-3/4" to 3-1/8"            | F1-64                     | F1-164                                    | F1-5164                               | 5464   | 064   |

#### Notes:

- A Keso F1 Removable Core is determined by the Keso F1 Core, not the housing. Therefore the 84- is a non F1- Product. The Housings for Keso F1- 83- and 84- are the same housings.
- 84-Removable Construction Core Cylinders are for temporary use and are NOT available in Keso F1. Once construction is completed the "permanent" Keso F1-83- Removable Cores can be installed.
- Keso F1 Removable core rim housings are available less core. Order as p/n 064 x finish. Mounting screws p/n 13-0074 and back plate p/n 13-0086 are to be ordered separately if needed.

# Key-In-Knob/Lever Cylinders

## Keso F1 High Security Cylinders



### Key-In-Knob/Lever Cylinders



Many designs and functions in the 8, 9, 10, 10X and 11 Line can be furnished with SARGENT Keso F1. Finishes: 04, 15, and BSP.

**Note:**

- 1) Conventional key-in-knob and lever lock cylinders can be changed to SARGENT Keso F1 Security System by replacing the complete cylinder assembly.
- 2) Present Keso Systems can be upgraded to the Keso F1- System.

For information regarding available designs, functions and finishes, refer to the particular Bored Lock Catalog for the product in question.

#### 8 and 9 Line Key-In-Knob Lock Cylinders\*



F1-82-C8-1

#### 10 and 11 Line Lock Cylinders



F1-82- Prefix

Keso F1 Cylinder  
F1-C11-1

#### 8 and 9 Line Key-In-Knob Lock Removable Cylinders\*



F1-83-C8-1 shown

\*8 and 9 Line locks are discontinued. Replacement cylinders are still available.

#### How to Order Keso F1 Cylinders for 7, 10 & 11 Line Locks

| Keso F1  | Keso F1   | Keso F1  |
|--|---|--|
| <b>All 7 &amp; 10 Line Functions</b><br>Cylinder Only: F1-C10-1<br>With Lock: F1-10G37 x GL x 26D x LH | <b>All 11 Line Functions Except for the 50 Function</b><br>Cylinder Only: F1-C11-1<br>With Lock: F1-11G05 x LL x 26D x RH | <b>All 10X Line Functions Except for the 50 Function</b><br>Cylinder Only: F1-82-C10X-1<br>With Lock: F1-82-10XG05 LL x 26D x RH |

**Notes:**

- Keso F1 Cylinders for hotel (50) functions are not available 10 and 11 line locks.
- 7 Line Locks are not available with Hotel (50) function.
- Removable Core Cylinders are NOT available for 7, 10 or 11 Line locks.
- SARGENT Keso F1 Systems are available with L, P and B Levers.

#### How to Order Keso F1 Cylinders for 8 & 9 Line Locks\*

| F1-82-Keso Cylinder for all 8 & 9 Line Functions Except for the 50 Function | F1-82-Keso Cylinder for all 8 & 9 Line 50 Functions Locks Only | F1-83-Keso Removable Cylinder for 8 & 9 Line all functions Except for the 50 Function | 84-Keso Cylinder for all 8 & 9 Line Functions Except for the 50 Function |
|---|--|---|--|
| Cylinder Only: F1-82-C8-1   | Cylinder Only: F1-82-C8-2                                      | Cylinder Only: F1-83-C8-1   | Cylinder Only: 84-C8-1   |

\*8 and 9 Line locks are discontinued. Replacement cylinders are still available.

**Notes:**

- 84-Removable Construction Cylinders are for temporary use and are NOT available with Keso F1 feature as once construction is completed the Keso F1-83- Cylinders will be installed.
- 50 Function/Hotel is not available with removable core.

Copyright © 2004-2023, SARGENT Manufacturing Company. All rights reserved. Reproduction in whole or in part without the express written permission of SARGENT Manufacturing Company is prohibited. Patent pending and/or patent www.assaabloyds.com/patents.

90107 06/23



# Removable Cores / Construction Keying and General Information

## Keso F1 High Security Cylinders

### Keso F1-83- Removable Core and Keso 84- Removable Construction Core Cylinders

The SARGENT Keso 84- security removable construction core system protects the security of an owner's masterkey system during the time of building construction. It is in use throughout the construction period in lieu of the permanent masterkeyed cores. This prevents the permanent system keys from becoming available to unauthorized people. Upon completion of the building, the temporary construction cores and all keys (day and control) for the construction core system become inoperative.

Removable construction core cylinders are available for SARGENT mortise locks, 8 and 9 Line (except for 50 function) and exit devices with mortise and rim cylinder only.

SARGENT Keso 84- temporary removable construction cores are designated by:

- Brown oxidized finish on cylinder sleeves
- Cylinder barrels with 1/8" diameter hole drill point in upper right hand area of barrel head
- All keys are stamped "CONST"
- All removable construction cores will be keyed alike in one KA set and furnished with 6 keys and 1 control key. These are packed separately and shipped to distributor for delivery to general contractors. Additional keys supplied upon request.

When the construction core system is to be used, the order must be entered with an individual item number for each key lock. Where room or opening numbers are shown on the plans, this information should also appear with each lockset. Each removable construction core system will be supplied with a total of 6 day keys and 1 control key, unless specified otherwise.

All key locks ordered will be shipped with temporary removable construction cores. To order, prefix the lock number with 84 (Example: 84-8205). A separate order for permanent cores, with all necessary keying information and item numbers for identification purposes, should accompany the lockset order. Upon proper authorization, the permanent cores will be shipped directly to the distributor and not to the job site.

### Tamper Proof Packaging

For the highest level of security for the end user, Tamper Proof Packaging is used on all Master Keys, Signature key blanks and all restricted key blanks. This heat sealed shrink wrap identified with "SARGENT Sealed For Your Security" provides assurance of the integrity of the factory generated key system.

### General Information

#### INTERCHANGEABILITY

Mortise and rim type SARGENT Keso F1 Security System cylinders are interchangeable with conventional SARGENT cylinders currently in use. SARGENT Keso F1 Security System cylinders for key-in-knob 8 and 9 Line can be substituted for conventional cylinders in use by changing the cylinder knob assembly. When ordering replacement cylinder knob assemblies for 8 and 9 Line, consult current catalog offering and specify function, trim and finish.

#### REMOVABLE CORE CYLINDER FOR HOTEL FUNCTIONS

Removable core cylinders are not available for hotel function in any lock line.

#### CONTROL KEYS FOR REMOVABLE CORE SYSTEMS

It is recommended that a removable core system utilize the minimum number of locks possible under any single control key. The most secure condition would be for one control key to operate one lock.

Experience a safer  
and more open world

For ordering permanent cores, refer to pages 4, 5 and 6. It will be the distributor's responsibility to:

- Deliver all permanent cores to the job site
- Remove all temporary construction cores and insert permanent cores
- Inspect each lockset to ensure that all permanent cores are operating satisfactorily
- Deliver to building owner all day, master and control keys for the permanent system
- Return all temporary construction cores to SARGENT in New Haven on a regular return goods authorization

All locksets ordered with removable construction core cylinders will be invoiced at the regular price established for prefix 83. A separate invoice will be issued to cover the permanent cores at prices listed for removable cores. Upon return of temporary removable construction cores to SARGENT, a credit will be issued covering the quantity of cores returned at the prices listed for construction cores.

#### 84- Removable Construction Core Cylinders

To order cylinders only (housing & core), specify as follows:

Mortise – Add prefix 84- to removable core cylinder number (Example: 84-172) Not available for 50 function (See Chart on Page 4).

Rim Type – Add prefix 84- to removable core cylinder number (Example: 84-164) (See Chart on Page 5).

#### Removable Cores Only, Mortise and Rim Type

To order, see charts on Pages 4 and 5.

#### Removable Construction Cylinders

To order cylinders only:

8 Line, 9 Line – Specify as **84-C8-1** (all functions except 50) (See Chart on Page 6).

To order permanent removable cylinders for 8 Line, 9 Line - Specify as **F1-83-C8-1** (See Chart on Page 6).

A control key allows access to the cylinders to which it is keyed and should be safeguarded in the same manner as a masterkey.

All orders for removable core systems must clearly state the keying level at which the control key will operate.

#### MASTERKEY SHIPMENTS

Masterkeys specified in the original order are shipped to the SARGENT distributor for delivery to the building owner. Upon delivery, the building owner will be required to sign the Masterkey Receipt Card (Form G831). The completed card must bear an authorized signature, as it appears on the Signature Authorization Card (Form G825), and then must be returned to SARGENT Manufacturing Company by the distributor.

# Padlocks and Cabinet Locks

## Keso F1 High Security Cylinders

### How to Order:

#### Padlock No. F1-82-856 and F1-82-857



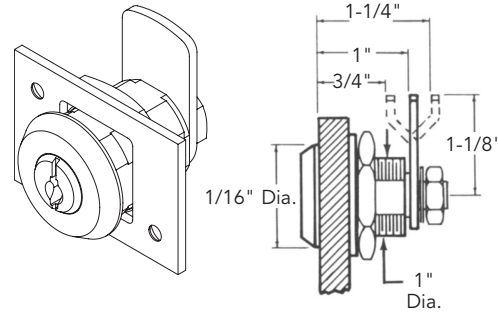
- 856 - Non key retaining. Key can be removed while unlocked and relocked without key.
- 857 - Key retaining. Key removable in locked position only.
- Same security as offered in other Keso Security System locks. Can be masterkeyed with all locks in the system.
- Positive deadlocking construction – none of the springs can be forced.
- Two stainless steel balls lock shackle. Forcing of shackle increases locking action.
- Available with standard stainless steel or optional hardened steel shackle.
- Brass case.
- Weather Shield Kit included (standard).

#### SPECIFICATIONS

Removable core not available.

| Padlock Number    | Description  |
|-------------------|--|
| F1-82-856         | Stainless steel shackle                                      |
| F1-82-856C        | Stainless steel shackle and 9" chain                         |
| F1-82-856HS       | Nickel plated hardened steel shackle                         |
| F1-82-856HSC      | Nickel plated hardened steel shackle and 9" chain            |
| F1-82-857         | Key removable in locked position only                        |
| Body              | Solid brass, resists corrosion satin brass finish            |
| Case Dimensions   | 2"x 2"x1-1/8"  |
| Shackle           | Stainless standard or optional hardened steel, nickel plated |
| Shackle Diameter  | 11/32"   |
| Shackle Clearance | 1" standard; 2-1/2" and 4" clearance available               |
| Chain             | 9"   |

#### Cabinet Lock No. F1-4252



**Finishes:** 3, 4, 10, 26, 26D

**For Drawers:** Up to 3/4" thick

**Cylinder:** Keso F1 Security System.

Can be masterkeyed with all other Keso locks in the system.

**Reversible:** Right or left hand

**Cam:** Steel, flat (order as F1-4252)

or 1/4" offset (order as F1-4252-2)

**Mounting Plate:** Furnished with screws for mounting to wood or metal drawers. Can be brazed to metal doors.



# UL437 Keso F1 Security System Cylinders

## Keso F1 High Security Cylinders

### How to Order:

#### UL437 Listed Keso F1 Security System Cylinders

UL437 Listed cylinders have the same basic construction as standard SARGENT Keso F1- Security System cylinders with additional pick and drill resistant features.

UL437 Listed Cylinders are ordered separate from hardware.

These UL437 Listed cylinders contain additional hardened steel pins that may not be compatible with existing key systems. Consult SARGENT Key Records Department for compatibility. Generally, U.L. Listed cylinders can be keyed into the total system if the requirement is known at the time the system is established.

U.L. performance tests are specified in standards for safety – Key locks (U.L. 437, First Edition, Underwriters Laboratories, Inc., Chicago, Illinois) as follows:

"The lock cylinder shall resist for at least ten minutes any of the following or other tests suggested by study of the design. Recognized lock experts may be called in to assist in these tests."

"The cylinder shall resist aligning the tumblers and opening the lock by means of picking tools."

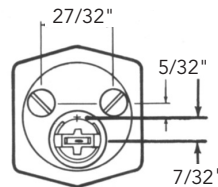
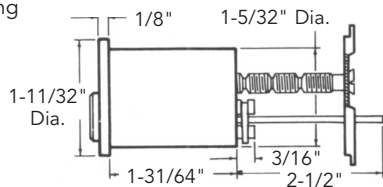
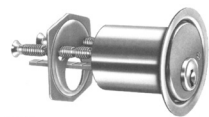
"The cylinder shall resist drilling the plug or body of the cylinder, releasing the tumblers, and opening the lock."

"The cylinder shall resist opening the lock by forcing a small cold chisel or screw driver into the key slot and applying rotary force with a pair of pliers or a wrench."

#### F1-4264 Rim Cylinder

Listed in Underwriters Laboratories, Inc. Burglary Protection Equipment List under locking cylinders (241 012)

Finishes: 03, 04, 09, 10, 10B, 10BE, 10BL, 14, 15, 20D, 32, 32D, BSP, WSP

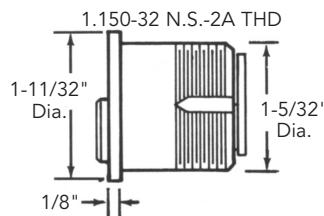
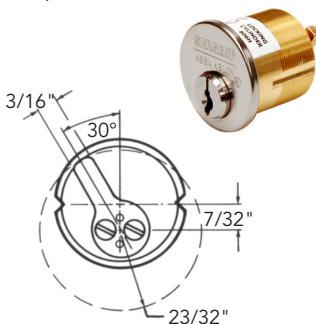


No. F1-4264 are furnished with "Break-off" screws and back plate. Break-off screws are located above horizontal centerline, same as standard No. 64 cylinder. For use with SARGENT exit devices.

#### F1-4270 Series Mortise Lock

Listed in the Underwriters Laboratories, Inc. Burglary Protection Equipment List under locking cylinders (241 012)

Finishes: 03, 04, 09, 10, 10B, 10BE, 10BL, 14, 15, 20D, 32, 32D, BSP, WSP

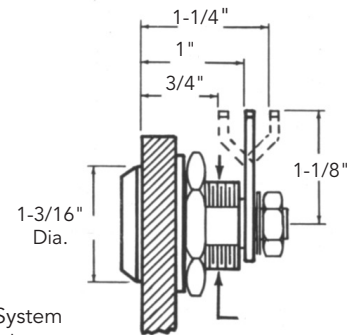
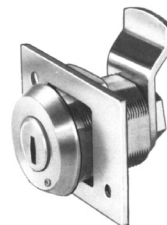


Nos. F1-4271, F1-4272, F1-4273, F1-4274, F1-4276  
Diameter of cylinder under cylinder head: 1-5/32"

#### F1-4252 Utility Lock

Listed in Underwriters Laboratories, Inc. Burglary Protection Equipment List under locking cylinders (241 012)

Finishes: 03, 04, 09, 10, 10B, 10BL, 20D, 26, 26D, BSP



For Doors: Up to 3/4" thick  
Cylinder: Keso F1 Security System  
Reversible: Right or left hand  
Cam: Steel, flat (order as F1-4252) or 1/4" offset (order as F1-4252-2)  
Mounting Plate: Furnished with screws for mounting to wood or metal doors. Can be brazed to metal doors.

#### How to Order F1-4270 Series Mortise Cylinders

| Mortise Cylinder Lengths | 1-1/8"  | 1-1/4"  | 1-3/8"  | 1-1/2"  | 1-3/4"  |
|--------------------------|---------|---------|---------|---------|---------|
| Series F1-4270 Cylinder  | F1-4271 | F1-4272 | F1-4273 | F1-4274 | F1-4276 |

Experience a safer  
and more open world

# Cams for Keso F1 and Keso Security Cylinders

## Keso F1 High Security Cylinders

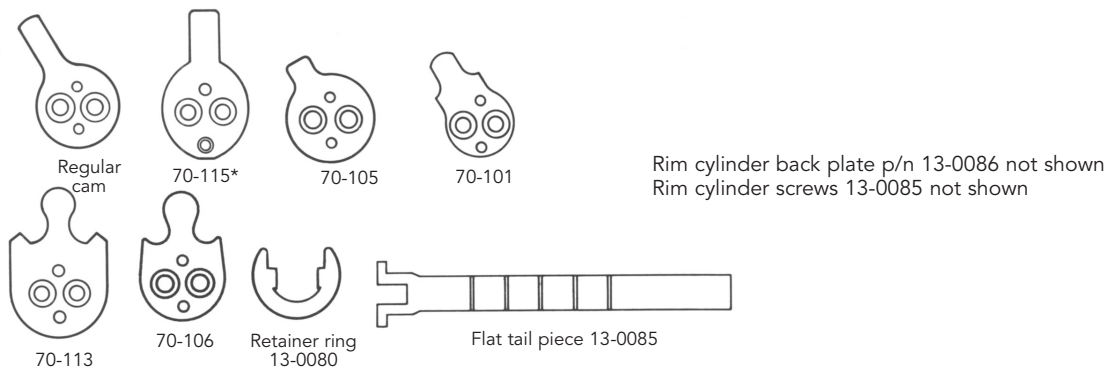


### Cams for Keso F1 and Keso Security Cylinders

Listed below are the cams available for Keso F1 and Keso Security System cylinders. There are four special cams for cylinders used with other manufacturers' locks. Since there may be several cam variations within one manufacturer's lock line, a thorough check of all lock functions should be made whenever Keso F1 and Keso Security System cylinders are being considered for use in other manufacturers' locks.

| Cam description                          | Application  | Order # For Complete Cyl. Assembly With Cam   | Cam Part # When Ordered Separately |
|--|--|---|------------------------------------|
| Regular Cam (Std)                        | F1-82-71 thru F1-82-76, F1-83-172 thru F1-83-176<br>71 thru 76 and 172 thru 176  | F1-82-71 thru F1-82-76, F1-83-172 thru F1-83-176<br>82-71 thru 82-76 and 83-172 thru 83-176   | Std (No Suffix)<br>(13-2563)       |
| Vertical Hotel Cam<br>(Cam Suffix -115)  | F1-82-(72-115, 73-115)<br>Note these cylinders have limited key rotation and are only for use in Sargent 78/8250 locks | F1-82-72-115, F1-82-73-115, 82-72-115 & 82-73-115 for only in 78/8250 functions   | 13-2283<br>(115 Cam*)              |
| Short Offset Cam<br>(Cam Suffix -105)    | Inside cylinder cam for Mortise Functions 16 and 92  | F1-82-71-105 thru F1-82-76-105 & F1-83-172-105<br>(Cam Suffix -105) thru F1-83-176-105, 82-71- thru<br>82-76-105 & 83-172-105 thru 83-176-105 | 13-2522<br>(105 Cam)               |
| 70-101 and<br>170-101 Offset<br>Cams     | Adams Rite MS1850 series locks only.<br>Packed standard with #90-1/8" blocking ring                                    | F1-71-101 thru F1-76-101,<br>F1-172-101 thru F1-176-101   | 13-2521<br>(101 Cam)               |
| 70-113 Vertical Cam<br>(Cam Suffix -113) | Cam used with 4370 Series Key switches   | F1-82-71-113 82-71-113  | 13-2519<br>(113 Cam)               |
| 70-106 Cam<br>(Cam Suffix -106)          | 70 Series mortise cylinders<br>for Schlage "L" mortise lock  | F1-82-71-106 thru F1-82-76-106<br>71-106 thru 76-106  | 13-0939<br>(106 Cam)               |

Keso F1 and Keso cylinder cams can only be used with Keso cylinders. These cams cannot be used with conventional SARGENT mortise cylinders. 170 Series removable core cylinders are only available for use in SARGENT hardware, except the Adams rite locks listed above. The following cams can only be used in removable core: -105, -101, -104 and the regular cam 13-2563.  
\* The 115 cam is unique and only fits the limited rotation hotel function cylinder



### Ordering Forms

Orders for the SARGENT Keso F1 Security System are handled on a special priority basis and are closely controlled, not only to expedite shipments, but to protect the security of each installation. These three forms are utilized in the ordering procedure.

#### Signature Authorization Card, Form No. G825

Form G825 is the control card for ordering the SARGENT Keso F1 and Keso Security System. It is to be completed and signed in duplicate. The SARGENT distributor will keep one copy and the second copy will accompany the initial order for the system. When received in New Haven, CT., it will be kept in a locked file for subsequent authenticating purposes. Only those orders bearing one or more of the signatures on this card will be honored.

#### Authorization For SARGENT Keso F1 Security System, Form No. G826

This form is to be used by the building owner, or his agent, in ordering the SARGENT Keso F1 Security System for additions to an existing system. It is to be completed by the owner or agent and forwarded to the authorized SARGENT Distributor. Completed forms must bear an authorized signature.

#### SARGENT Keso F1 and Keso Security System Key order, Form No. G827

The key order form is used for ordering additional or duplicate keys for a system. The form is completed by the building owner, or his agent, and an authorized signature must appear on it. The form is forwarded by the building owner to the authorized SARGENT Distributor.

All forms are available only through authorized SARGENT Distributors.

# Field Maintenance, Keso F1 and Keso Service Center and Shipping Schedules

## Keso F1 High Security Cylinders

### Field Maintenance of KESO F1 and Keso Security System Cylinders

Proper maintenance of lock cylinders will insure longer life for the SARGENT Keso F1 and Keso Security System and will eliminate potential cylinder malfunctions. Preventive maintenance, performed on a continuing basis, is simple to do and requires no technical knowledge. It is accomplished with a dry film lubricant in the cylinder chamber through the keyway opening. It is not necessary to remove either the lock or cylinder from the door, the keyway is directly exposed in all cases.

While all cylinders should be lubricated once a year, cylinders with a high usage frequency should be lubricated every sixty days. Exterior cylinders which are exposed to dust, dirt and extreme weather conditions should be serviced with dry film lubricant every sixty days.

**The proper lubricant is important. It is our recommendation that only a dry film lubricant is used. The use of oil, grease or similar substances should not be used in lock cylinders.**

### KESO F1 and Keso Security System Service Center

A service center has been established in the factory to process orders in the following three categories:

1. Repair or replace inoperative Keso F1 and Keso Security System cylinders and keys.
2. Supply additional keys for existing key systems.
3. Furnish new cylinders for existing key systems. This service is limited to quantities of twelve cylinders or less.

#### Service Center Delivery Responsibility

Orders for repair of cylinder in quantities of twelve or less will be shipped within three working days after receipt of order. A delivery date will be available from the factory for cylinders in quantities greater than twelve.

#### Distributor Responsibility

1. Orders for repair and replacement of inoperative cylinders should be mailed to Sargent Manufacturing Company, ATTN: Keso Dept 30, 100 SARGENT Drive, New Haven, CT 06511. A day key should accompany any cylinder returned for repair to insure proper diagnosis. A statement regarding the malfunction should also be included. The service center has been established to service owners of KESO Security Systems through authorized distributors only and not on a direct basis with building owners.
2. Key orders should be mailed to Sargent Manufacturing Company. Authorization Form G827 bearing an authorized signature must accompany all orders for additional cylinders.
3. Orders for twelve cylinders or less keyed to an existing system should be mailed to Sargent Manufacturing Company. Authorization Form G826 bearing an authorized signature must accompany all orders for additional cylinders.

Information required to insure prompt and efficient handling of your service orders:

1. Job name
2. Original SARGENT order numbers
3. Key number
4. Registry number (last four digits on key)

### Shipping Schedules

#### For existing installations

Orders for additional keys for existing systems will be filled within 48 hours after receipt of order in quantities of twenty-five keys or less. Orders for more than twenty-five keys will require an additional 24 hours for each increment of fifty keys or less (**Example: 150 keys would require five working days**). Orders for additional new cylinders for existing key systems in quantities of twelve or less will be shipped within fifteen working days after receipt of order.

# How to Order

## Keso F1 High Security Cylinders



### Complete Locksets (Mortise, Rim Type and Key-in Knob Cylinders)

#### How to Order Keso F1 Cylinders for SARGENT Mortise Locks, Exit Devices and Bored

|                           | Keso F1 Cylinders       | Keso F1 Removable Core Cylinders | Keso F1 Removable Construction Core Cylinders |
|---------------------------|-------------------------|----------------------------------|---|
| How to Order              | F1-82-                  | F1-83-                           | 84-   |
| Example: 8205 LNL 26      | F1-82-8205 LNL 26       | F183-8205 LNL 26                 | 84-8205 LNL 26                                |
| Example 8813xETL 10B LHRB | F1-82-8813xETL 10B LHRB | F1-83-8813xETL 10B LHRB          | 84-8813xETL 10B LHRB                          |

#### Notes:

- All Keso F1 products listed are offered with both the F1- Option and the Non F1- Option. To order the non F1- Option, simply leave off the F1- Prefix when ordering.
- SARGENT will supply the correct cylinders based on function, door thickness and prefix requested.
- When ordering cores or cylinders, specify keying requirements.

### Keys

F1 master keys order by catalog # F1 K372 MK  
 F1 Day keys order by catalog # F1 K372 CHK  
 F1 Control key or Emergency key for all locks except 8G50 order by catalog # F1 K372 CTL  
 F1 Mortise emergency key order by catalog # F1 K373 EMK  
 F1 8G50 emergency key order by catalog # F1 K374 EMK

### Key Blanks

F1 Master and change key blanks order by catalog # F1-K376  
 F1 Control key blanks order by catalog # F1-K-375

#### Correct ordering number will consist of:

Complete Locksets: Lockset number with prefix, design, hand and finish. **Example: F1-82-8245 LNL LH 3**  
 Cylinders Only: Cylinder number, suffix (if any), and finish. **Example: F1-71-101 x 3**  
 Removable Cores Only: Core number, prefix or suffix (if any), and finish. **Example: F1-5172-101 x 3**  
 Padlocks: Padlock number, shackle clearance (if other than standard) and finish (if other than standard). **Example: F1-82-856 2-1/2" 26D**  
 Utility Locks: Lock number and finish. **Example: F1-4152 15**

### Prefix Designations

|        |   |
|--------|---|
| 82-    | Keso Security Cylinder  |
| F1-82- | Keso Security Cylinder with Front Profile                               |
| 83-    | Keso Security Removable Core Cylinders                                  |
| F1-83- | Keso Security Removable Core Cylinders with Front Profile               |
| 84-    | Keso Security Removable Construction Core Cylinder (temporary use only) |

| Finish Ordered | Plug/Shell | Cylinder Housing (Mortise/Rim) |
|----------------|------------|--------------------------------|
| 03             | 04         | 03                             |
| 04             |            | 04                             |
| 09             |            | 09                             |
| 10             |            | 10                             |
| 10B            |            | 10B                            |
| 10BE           |            | 10BE                           |
| 722            |            | 722                            |

| Finish Ordered | Plug/Shell | Cylinder Housing (Mortise/Rim) |
|----------------|------------|--------------------------------|
| 14             | 15         | 14                             |
| 15             |            | 15                             |
| 26             |            | 26                             |
| 26D            |            | 26D                            |
| 32             |            | 32                             |
| 32D            |            | 32D                            |
| WSP            |            | WSP                            |
| BSP            |            | BSP                            |

Copyright © 2004-2023, SARGENT Manufacturing Company. All rights reserved. Reproduction in whole or in part without the express written permission of SARGENT Manufacturing Company is prohibited. Patent pending and/or patent www.assaabloyds.com/patents.

# Architectural Specifications

## Keso F1 High Security Cylinders

---

### Suggested Architect's Specification

---

#### 2.0 KEYING – Keso F1 SERIES

- A. Cylinders and keys shall be SARGENT Keso F1 Series by SARGENT Manufacturing Company, New Haven, CT.
- B. Each cylinder shall contain at least twelve key pins.
- C. Cylinders shall not contain splits or master key pins.
- D. Each keying system shall offer at least seven levels of master keying, and regardless of the level of master keying, there must be a minimum of 100,000 unduplicated, safe and usable key combinations available.
- E. Provide high security removable core cylinders, with patented key control, for each lock with temporary construction cores. Permanent cores shall be installed upon completion of the project.
- F. Cylinders shall meet the requirements of UL437.
- G. Master key or Grand master key cylinders and key in groups, unless otherwise specified. Factory master key with manufacturer retaining permanent keying records.
- H. Provide 6 master keys for each master key set. Provide 3 change keys for each lock. Provide 2 control keys for core removal. Stamp keys PATENTED.
- I. Provide key list, in electronic format, for import directly into KeyWizard key control software.
- J. Submit proposed keying schedule to Architect. If requested, meet with Owner and Architect to review schedule.

The ASSA ABLOY Group is the global leader in access solutions. Every day, we help billions of people experience a more open world.

ASSA ABLOY Opening Solutions leads the development within door openings and products for access solutions in homes, businesses and institutions. Our offering includes doors, frames, door and window hardware, mechanical and smart locks. access control and service.



SARGENT Manufacturing Company  
100 Sargent Drive  
New Haven, CT 06511 USA  
800-727-5477  
[www.sargentlock.com](http://www.sargentlock.com)

Founded in the early 1800s, SARGENT® is a market leader in locksets, cylinders, door closers, exit devices, electro-mechanical products and access control systems for new construction, renovation, and replacement applications. The company's customer base includes commercial construction, institutional, and industrial markets.

Copyright © 2004-2023, SARGENT Manufacturing Company. All rights reserved. Reproduction in whole or in part without the express written permission of SARGENT Manufacturing Company is prohibited. Patent pending and/or patent [www.assaabloydss.com/patents](http://www.assaabloydss.com/patents).