



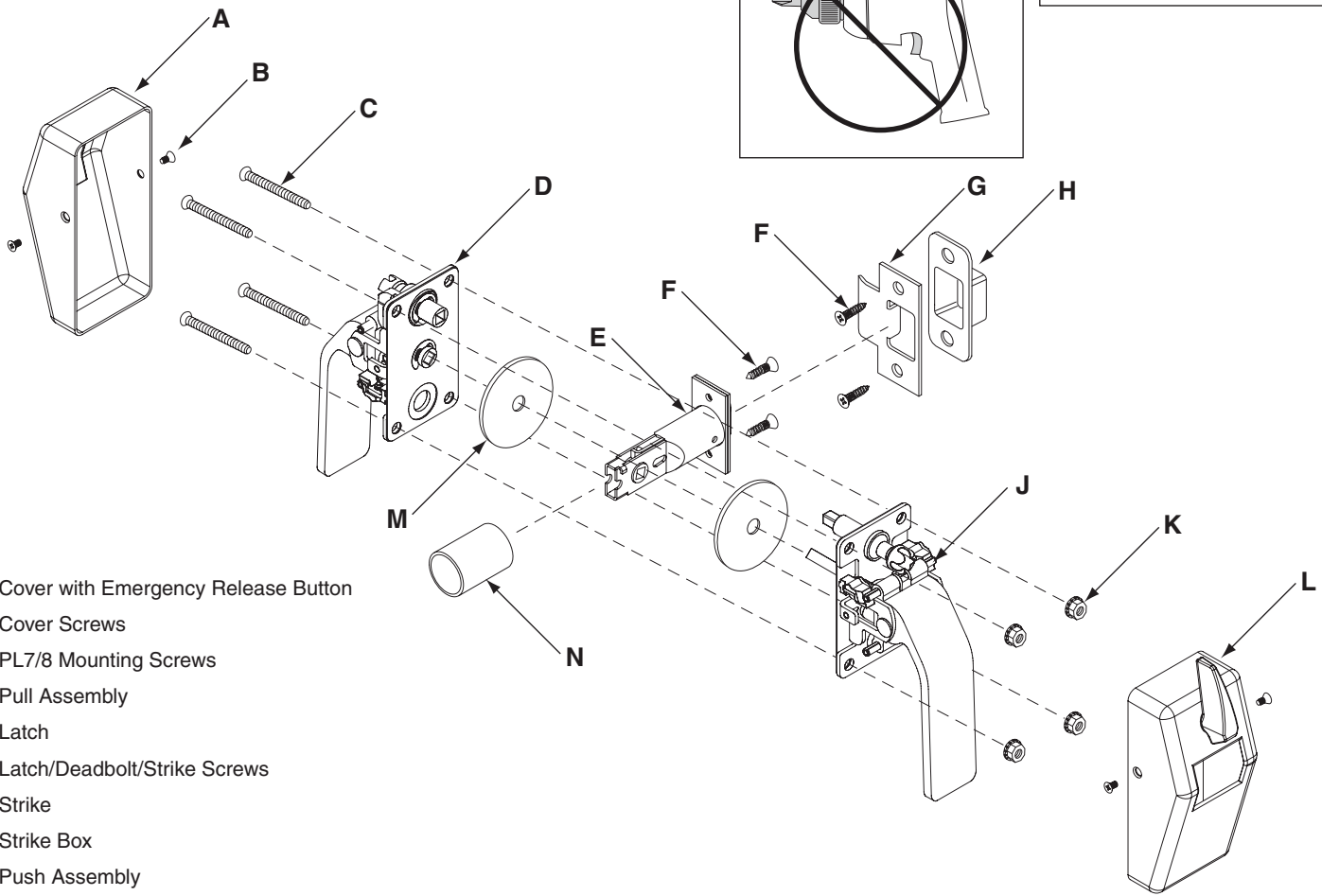
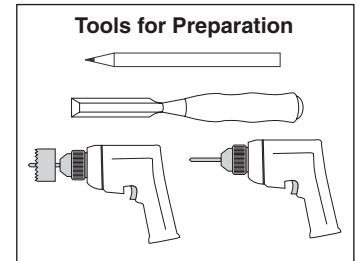
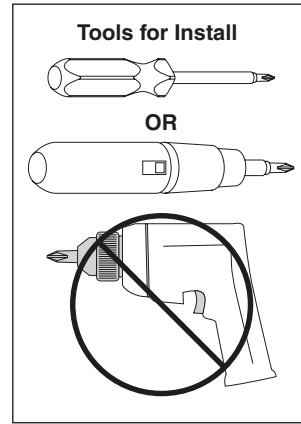
829696-00

PL7/PL8



Privacy Latch

Installation Instructions

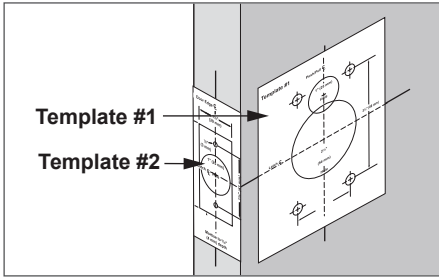


- A. Cover with Emergency Release Button
- B. Cover Screws
- C. PL7/8 Mounting Screws
- D. Pull Assembly
- E. Latch
- F. Latch/Deadbolt/Strike Screws
- G. Strike
- H. Strike Box
- J. Push Assembly
- K. PL7/8 Mounting Nuts
- L. Cover with Thumbturn
- M. Lead Washers (Optional)
- N. Lead Latch Cover (Optional)

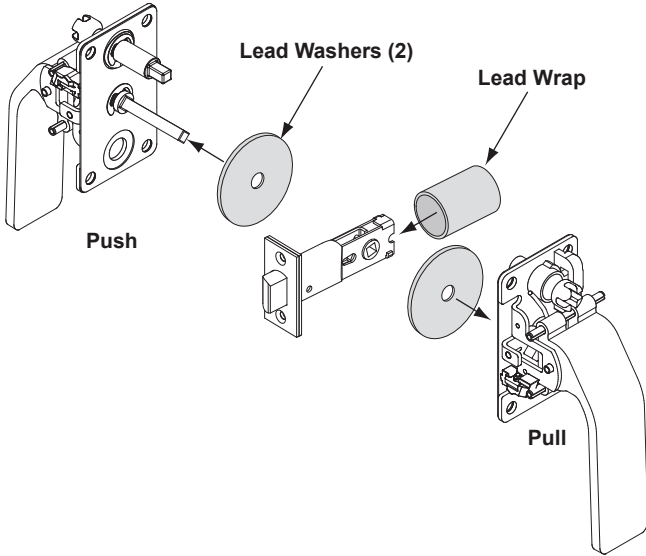
1 Install Privacy Latch

1a Use the templates from the back page to check the holes.

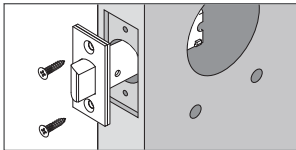
① **NOTE:** If the door holes do not match the template, see the Door Preparation section on the back page.



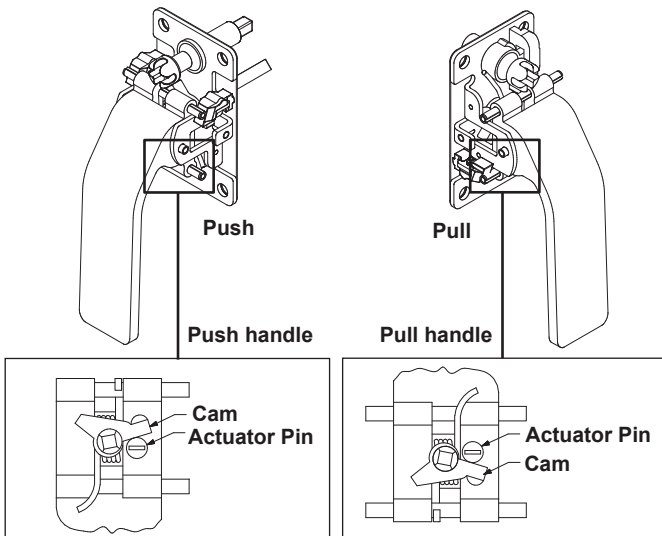
1b For the lead lined model ONLY, install the lead lining.



1c Install the latch.

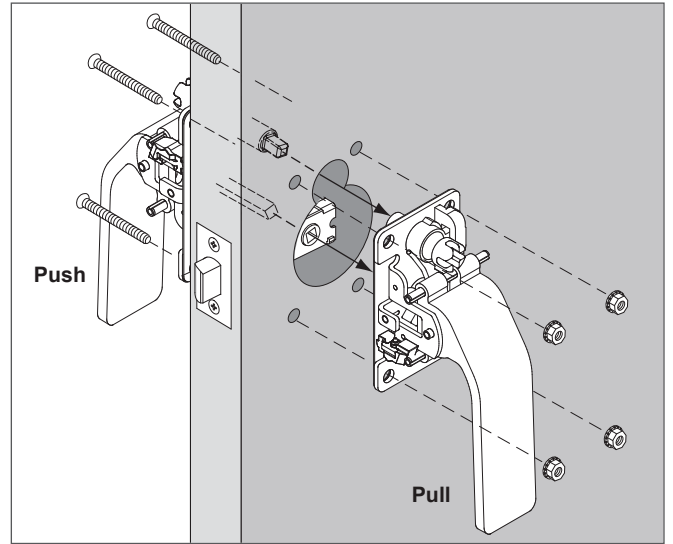


1d Position the cams, as shown.

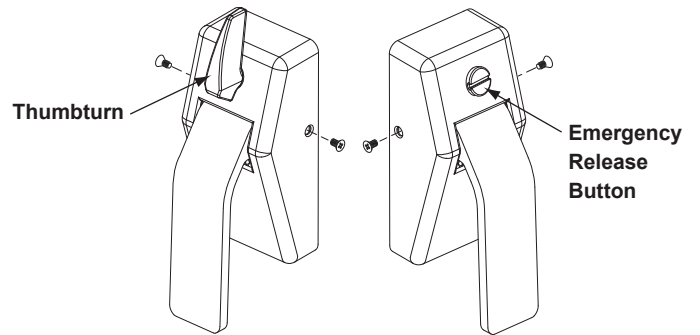


1e Install the push lever and pull lever.

① **NOTE:** The T turn side must be unlocked!



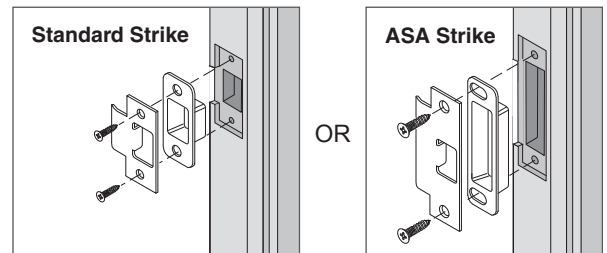
1f Place the covers over the levers. Install and tighten the cover screws.



PL7 has Thumbturn on Push Side
PL8 has Thumbturn on Pull Side

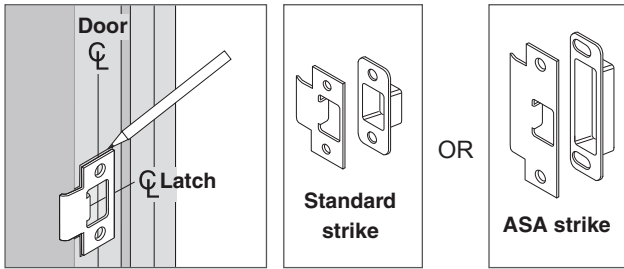
1g Install the strike.

① **NOTE:** If the frame is not prepared, see the Frame Preparation section below.



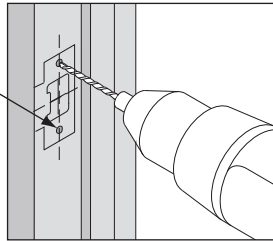
2 Frame Preparation

2a Use the strike as a pattern to mark the frame.



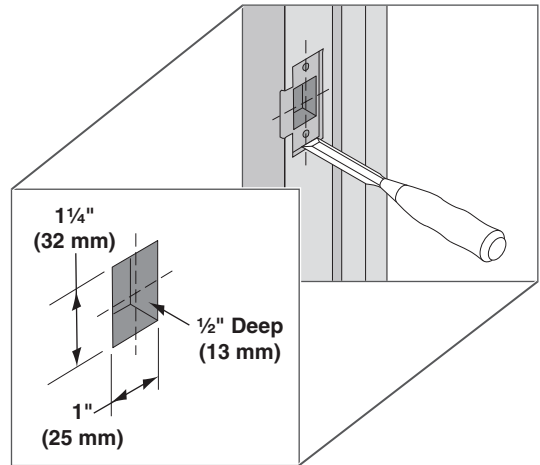
2b Drill holes.

Standard
Wood - #32 Pilot Drill
Metal - #29 Drill, #8-32 Tap
ASA Strike
Wood - 1/8" (3mm) Pilot Drill
Metal - #16 Drill, #12-24 Tap



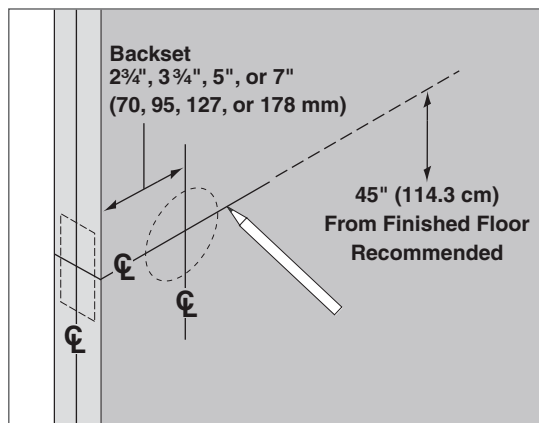
2c Mortise for strike.

① **NOTE:** The strike should be flush to the frame.

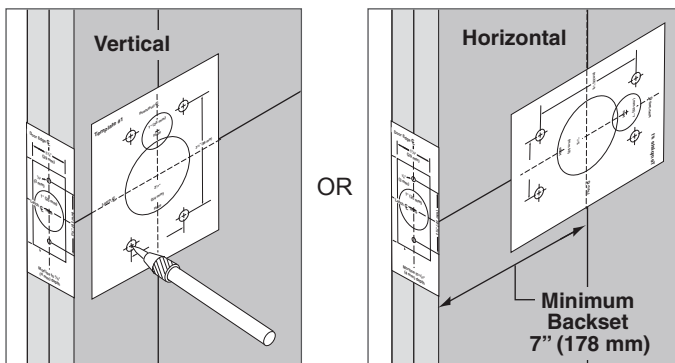


3 Door Preparation

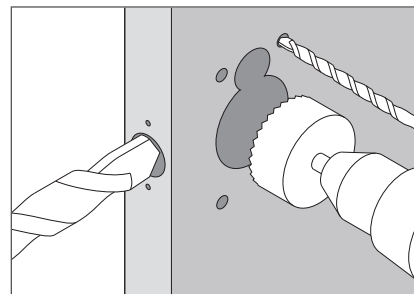
3a Mark the center lines (⊥).



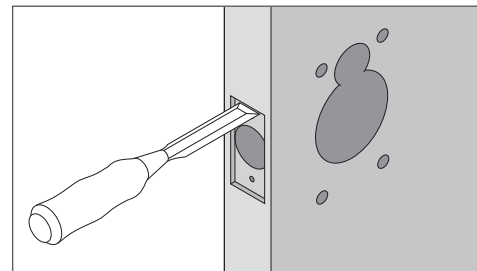
3b Mark the door.



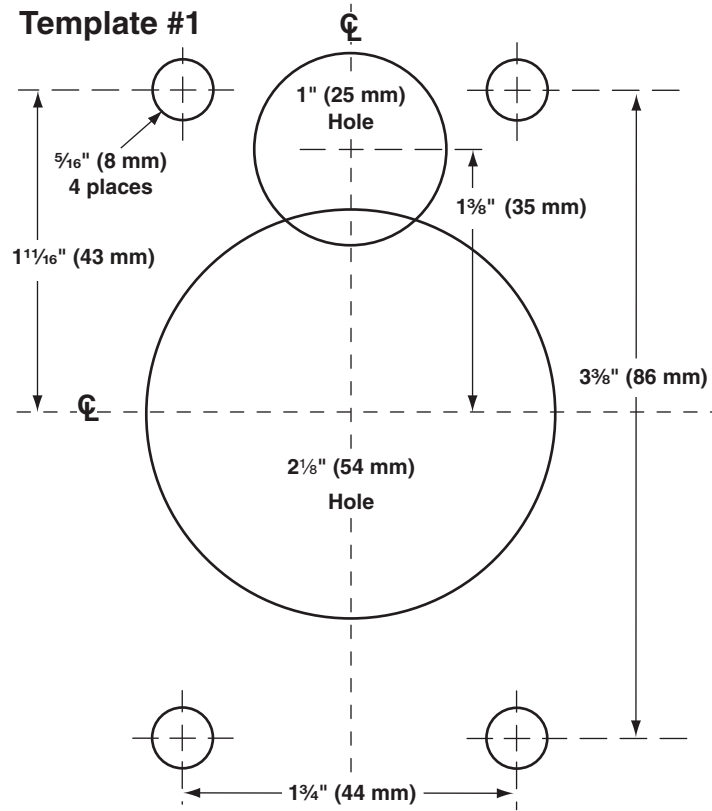
3c Drill holes.



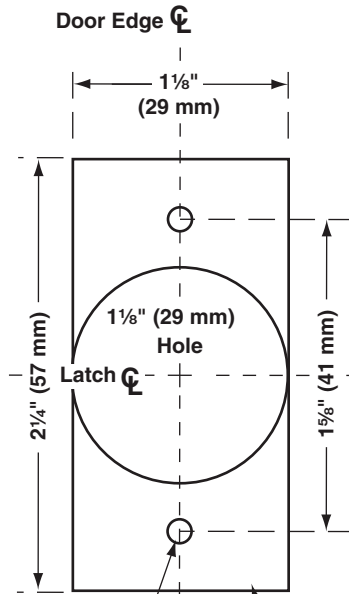
3d Mortise for latch.



Template #1



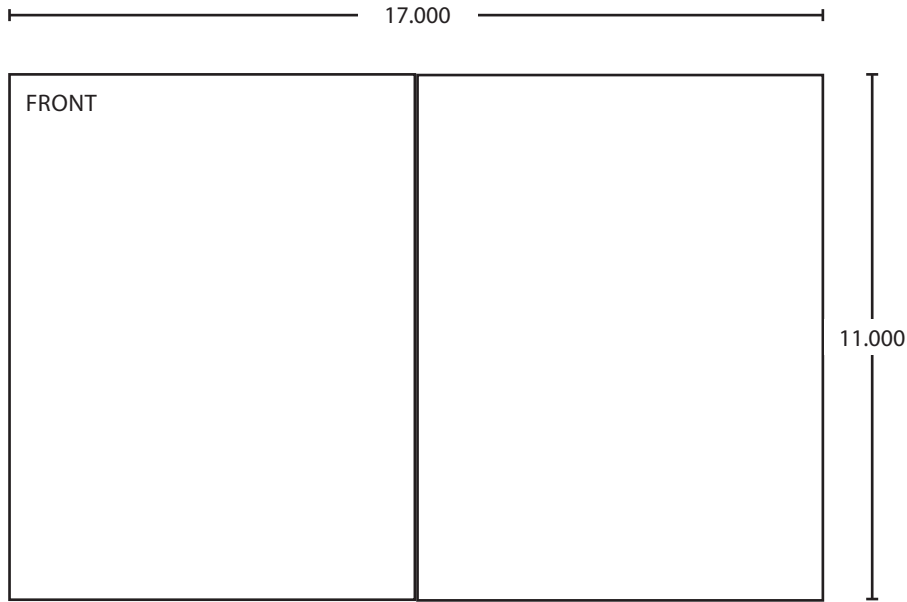
Template #2 (standard latch)



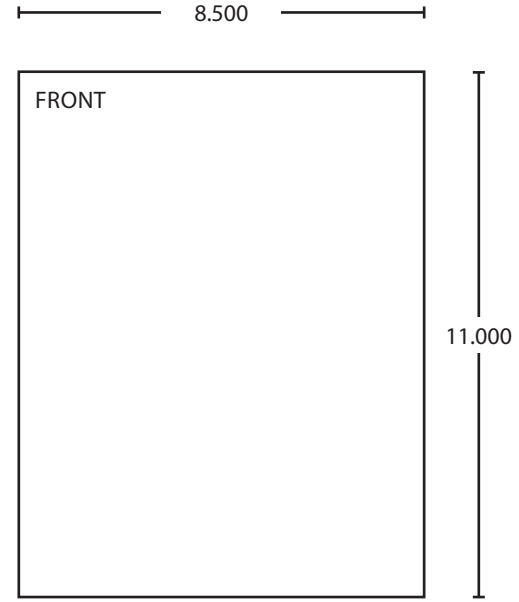
Mortise to $\frac{5}{32}$ "
(4 mm) depth

Wood - #32 Pilot Drill

Metal - #29 Drill, #8-32 Tap



BEGINNING SHEET



FINAL SIZE

Additional Notes:
1. None

Revision History						Revision Description: G > Revised artwork								
B	C	D	E	F	G									
N/A	N/A	N/A	N/A	075349	XXXXX									
Material White Paper						Edited By D. Toppins		Approved By M. Sasso		EC Number xxxxxx	Release Date 05-09-18			
Notes 1. printed two sides 2. printed black 3. tolerance ± .13 4. printed in country may vary 5. drawings not to scale						Title INSTALLATION INSTRUCTIONS PL7/PL8 LATCH								
						Creation Date N/A		Number 829696-00			Revision G			
						Created By N/A		Activity 3899 Hancock Expwy Security, CO 80911						
						Software: InDesign CS6					© Allegion 2018			