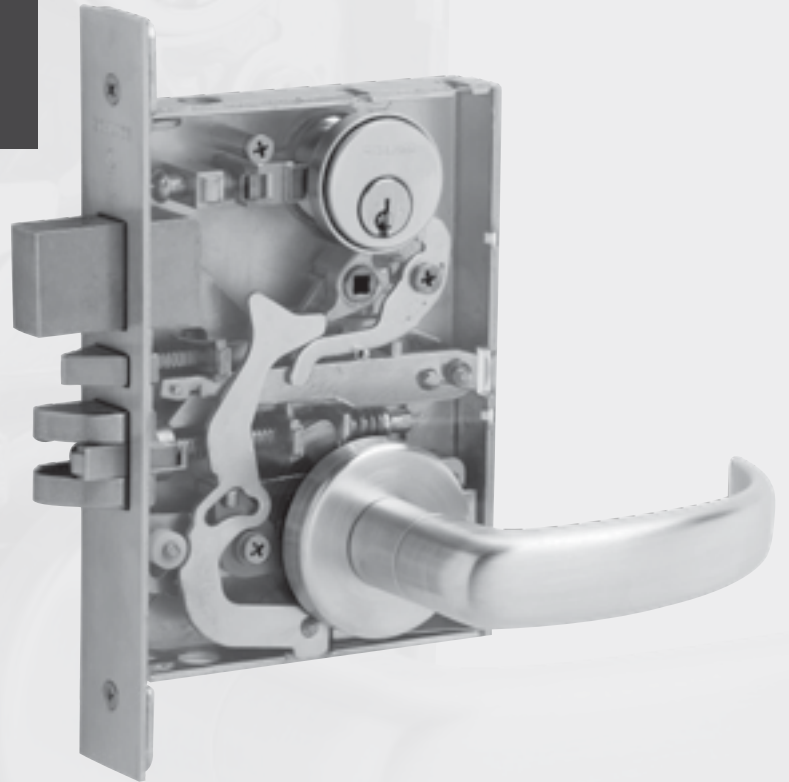


SCHLAGE

L Series

Service manual



Contents

4	Introduction	97	L9025
4	Dot charts	98	L9026
5	Lock dimensions	99	LM9310, LM9325
8	Lock assembly drawing index	100	L9040, L9040 x XL11-446, L9044
18	Lock assembly drawing index	101	LV9040, LV9040 x XL11-446, LV9044
27	Trim assemblies	102	L9050, L9060, L9066 x XL11-897, L9070, L9071
28	L400 Series deadbolt trim	103	LV9050, LV9060, LV9070, LV9071
30	L9000 Series single dummy trim	104	LM9350, LM9370, LM9371
31	L9000 Series double dummy trim	105	LMV9350, LMV9370, LMV9371
32	Passage latch trim	106	L9056
34	Exit trim	107	LV9056
36	Exit trim with cylinder	108	L9076, L9077
38	Exit trim with three-point latch	109	LV9076, LV9077
40	Emergency button x turn trim	110	L9080
42	Privacy x turns both sides trim	111	LV9080
44	Coin turn outside x turn trim	112	LM9380
46	Cylinder x turn trim	113	LMV9380
48	Double cylinder trim	114	L9081
50	Double cylinder store trim	115	LV9081
52	Cylinder outside trim	116	L9082
54	Electrically locked/unlocked outside trim	117	LV9082
56	Electrically locked/unlocked both sides trim	118	L9090EL/EU, L9092EL/EU, L9094EL/EU
60	Electrically locked/unlocked both sides trim, single cylinder	119	LV9090EL/EU, LV9092EL/EU, LV9094EL/EU
62	Electrically locked/unlocked outside trim, double cylinder	120	L9091 EL/EU, L9093 EL/EU, L9095 EL/EU
64	Electrically locked/unlocked both sides trim, double cylinder	121	LV9091 EL/EU, LV9093 EL/EU, LV9095 EL/EU
66	Active double dummy trim	122	L9492 EL/EU, L9494 EL/EU
68	Single dummy with case trim	123	LV9492 EL/EU, LV9494 EL/EU
70	Double dummy with case trim	124	L9493 EL/EU, L9495 EL/EU
72	Deadbolt trim	125	LV9493 EL/EU, LV9495 EL/EU
74	Deadbolt with fixed double dummy trim	126	L9110 x XL11-741
76	Fixed outside x turn trim	127	L9175
78	Institution deadbolt trim	128	L9176
80	Prison lock trim	129	L9440, L9444
82	Hotel with indicator trim	130	LV9440, LV9444
84	Passage and electrically locked/unlocked, two-point latch trim	131	L9453
86	Outside lever only, two-point latch trim	132	LV9453
88	Cylinder x turn, two-point latch trim	133	L9456, L9457, L9496
90	Outside cylinder and electrically locked/unlocked outside cylinder, two-point latch trim	134	LV9456, LV9457, LV9496
92	Double cylinder and electrically locked/unlocked outside cylinder, two-point latch trim	135	L9458
94	Lock case assemblies	136	LV9458
95	L460, L462, L463, L464, L480, L496	137	L9460, L9462, L9463, L9464
96	L9010	138	L9460 x XL11-635
		139	L9460, L9462, and L9464 x XL11-886
		140	L9465, L9466, L9473
		141	L9480, L9485, L9486, L9486 x L583-375, L9412 x XL11-907
		142	LV9480, LV9485, LV9486, LV9486 x L583-375
		143	L9482 x XL11-543
		144	LV9482 x XL11-543
		145	L9485 x XL11-557
		146	LM9210, LM9225
		147	LM9256

148	LM9250, LM9270, LM9271, LM9280	181	Special options
149	LM9290 EL/EU, LM9292 EL/EU, LM9294 EL/EU	181	Ligature resistant trim
150	LM9291 EL/EU, LM9293 EL/EU, LM9295 EL/EU	182	High security ligature resistant (HSLR) trim
151	Lock case assembly compatibility		
152	Assembly of lock case parts	184	Installation tools and kits
154	Trim options	187	Electrified locks
154	Cast or forged levers, standard lever designs	188	LM9200 Series two point lock
155	Decorative trim	189	LM9300 Series multipoint lock
155	Decorative levers	190	Lubrication specifications
155	Decorative roses	192	Door handing
156	M collection levers	192	Changing the lock hand
157	Wrought knob designs	192	Changing cylinder turn hand
157	Tactile warning (knurling) levers and knobs	193	Ordering procedures
158	Rose trim A, B, or C	194	Finishes
159	L escutcheon trim	194	Installation instructions and door templates
161	N escutcheon trim	195	Limited warranty
163	Indicator trim options		
163	Indicator kits		
164	Indicator options		
164	Indicator parts		
164	09-611 Occupancy indicators		
165	Additional trim options		
165	Thumbturn for rose (sectional) trim		
165	Thumbturn for escutcheon trim		
165	Privacy turn		
166	Cylinder turn		
166	Coin turn		
167	Trim assembly parts		
170	Armor fronts		
171	Strikes		
172	Cylinders		
172	How to measure cylinder lengths		
172	L Series, LV Series cylinder and length requirements		
173	Full face cylinders		
174	Concealed cylinders		
175	Full size interchangeable core cylinders		
177	Small format interchangeable core cylinders		
178	Special cylinder applications		
179	Indicator cylinders		
180	Blocking and compression rings		

Introduction

This manual contains a complete listing of parts and assemblies for L, LV, and LM Series mortise locks manufactured by Schlage Lock Company. This edition lists components of L Series locks manufactured after June, 2001. All lock case covers are labeled with the date of manufacture. Example: 8/15/13 = August 15, 2013.

Exploded views of each lock function chassis and trim assembly are provided with accompanying charts to identify parts for replacement purposes. Exploded views of trim are shown with parts for standard size doors. In addition, this manual provides lock trim ordering procedures, cylinder length charts by door range, and all auxiliary components of the L9000/LV9000, LM9200, LM9300/LMV9300 and L400 Series mortise locks.

Standard features (Locks are furnished with standard features unless otherwise specified)			
Certifications	L/LV9000: ANSI/BHMA A156.13-2017 Series 1000, Grade 1 Operational and Security. UL Listed for 3-hour fire door (except L9076 and L9077). With FSIC Interchangeable Core Cylinders: Grade 2 Security. With SFIC Interchangeable Core Cylinders: Grade 3 Security. UL 10C and CAN/ULC-S1 listed for 3 hour fire door. Electrified functions UL/ULC Listed for single-point locking applications. Miami-Dade NOA and Florida Building Commission Listings. LM9200: ANSI/BHMA A156.37-2014 Grade 1 Operational and Security. Wood door application: UL listed for 60 minute fire door with two-point latch or 20 minute fire door with top latch only. (Does not meet Canada UL 20 minute wood door requirement). Hollow metal door application: UL Listed for 90 minute fire door with two-point latch, one-point latch or double egress with astragal. LM/LMV9300: ANSI/BHMA A156.37-2014 Grade 1 Operational and Security. With FSIC interchangeable cylinders, Grade 2 Security. With SFIC interchangeable core cylinders, Grade 3 Security. Florida Building Commission Listings. UL approved to FEMA 361 and FEMA 320, and ICC 500 tornado shelter guidelines when paired with Steelcraft® Paladin™ doors and frames. L400: ANSI/BHMA Certified A156.36-2010, Grade 1, UL Listed for 3 hour fire door.		
Case size	L/LV9000 and LM9300/LMV9300: 4 ⁷ / ₁₆ " x 6 ¹ / ₁₆ " x 1"	L400: 4 ⁷ / ₁₆ " x 3 ⁵ / ₈ " x 1"	LM9200: 4 ⁷ / ₁₆ " x 12 ¹⁹ / ₃₂ " x 1"
Armor front	L/LV9000 and LM9300/LMV9300: 1 ¹ / ₄ " x 8"	L400: 1 ¹ / ₄ " x 5 ⁹ / ₁₆ "	LM9200: 1 ¹ / ₄ " x 15 ⁵⁵ / ₆₄ "
Deadbolt	1" Throw stainless steel	Latchbolt	L/LV9000, LM/LMV9300: ¾" Throw stainless steel with anti-friction tongue
Latchbolt	L/LV9000, LM/LMV9300: ¾" Throw stainless steel with anti-friction tongue		
Strike	L/LV9000, LM/LMV9300: 1 ¹ / ₄ " x 4 ⁷ / ₈ ", Square corner, 1 ³ / ₁₆ " lip, box; L400: 1 ¹ / ₈ " x 3 ⁵ / ₈ ", Square corner, box		
Backset	2 ³ / ₄ "	Door range	1 ³ / ₄ " and up
Cylinder	6-Pin solid brass, keyed 6-pin, S123 keyway, keyed different (KD)		
Keys	Two nickel silver cut keys per lock, 6-pin, S123 section (Items specified in C keyway will be furnished with cylinders keyed 5-pin and with 5-pin keys unless otherwise specified)		

Dot charts

• = (1) Part 2 = (2) Parts

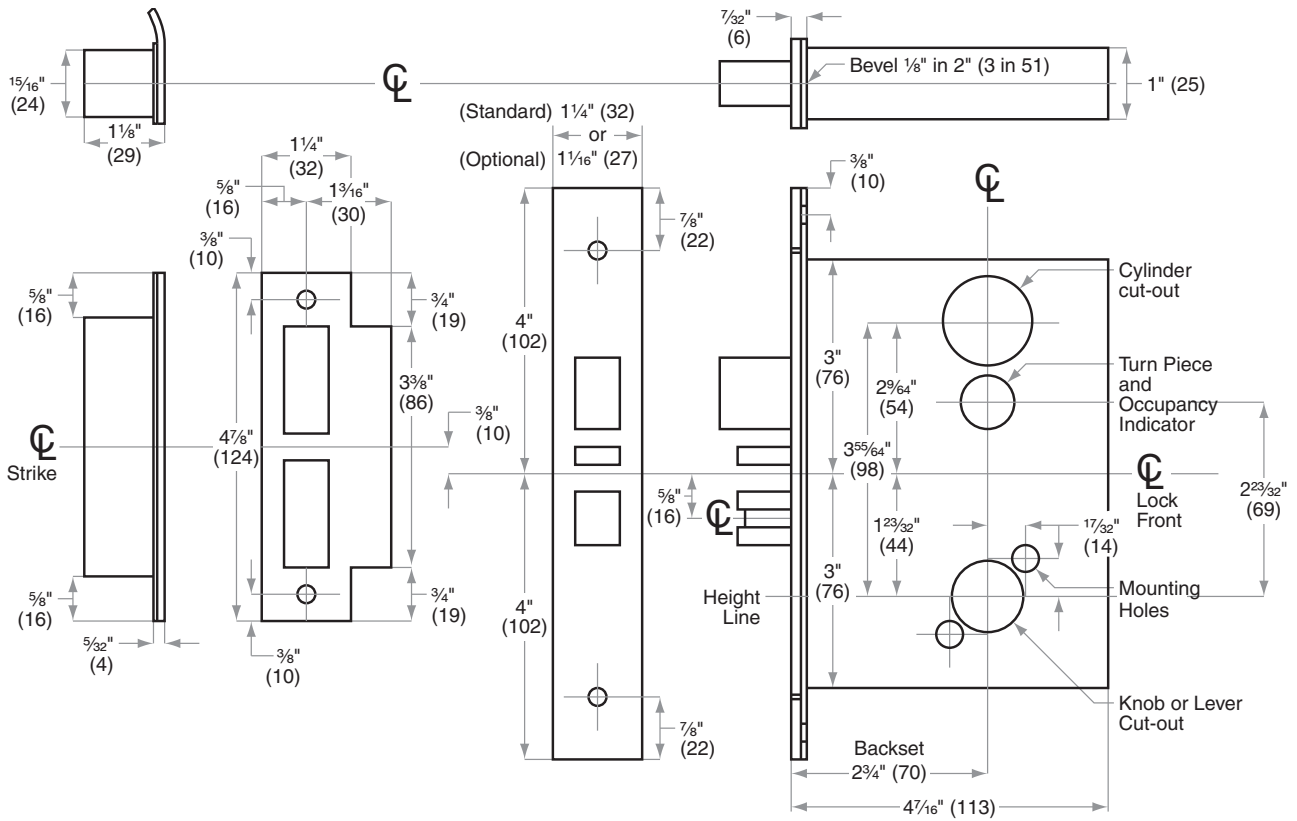
Example:

	P/N	Description	L9060	L9060	L9071	L9071	LM9371	LMV9371	L9077	L9077	L9082	L9082	L9457	L9457	L9458	L9458	L9462 x XL11-886	L9466
DD	L583-195	Compression spring	2	2	2	2	2	2	2	2	2	2	2	2	2	2	2	2
EE	L583-212	Mounting posts, L	2		2		2		2		2		2		2		2	2
	L583-497	Mounting posts, LV		2		2		2		2		2		2		2		2
HH	L583-321	Inside knob mounting plate
ii	L583-322	Outside lever spacer									2						.	.

All parts shown in dot charts are standard. Additional options may be available. See current Schlage Commercial Price Book for available options, pricing and ordering procedures.

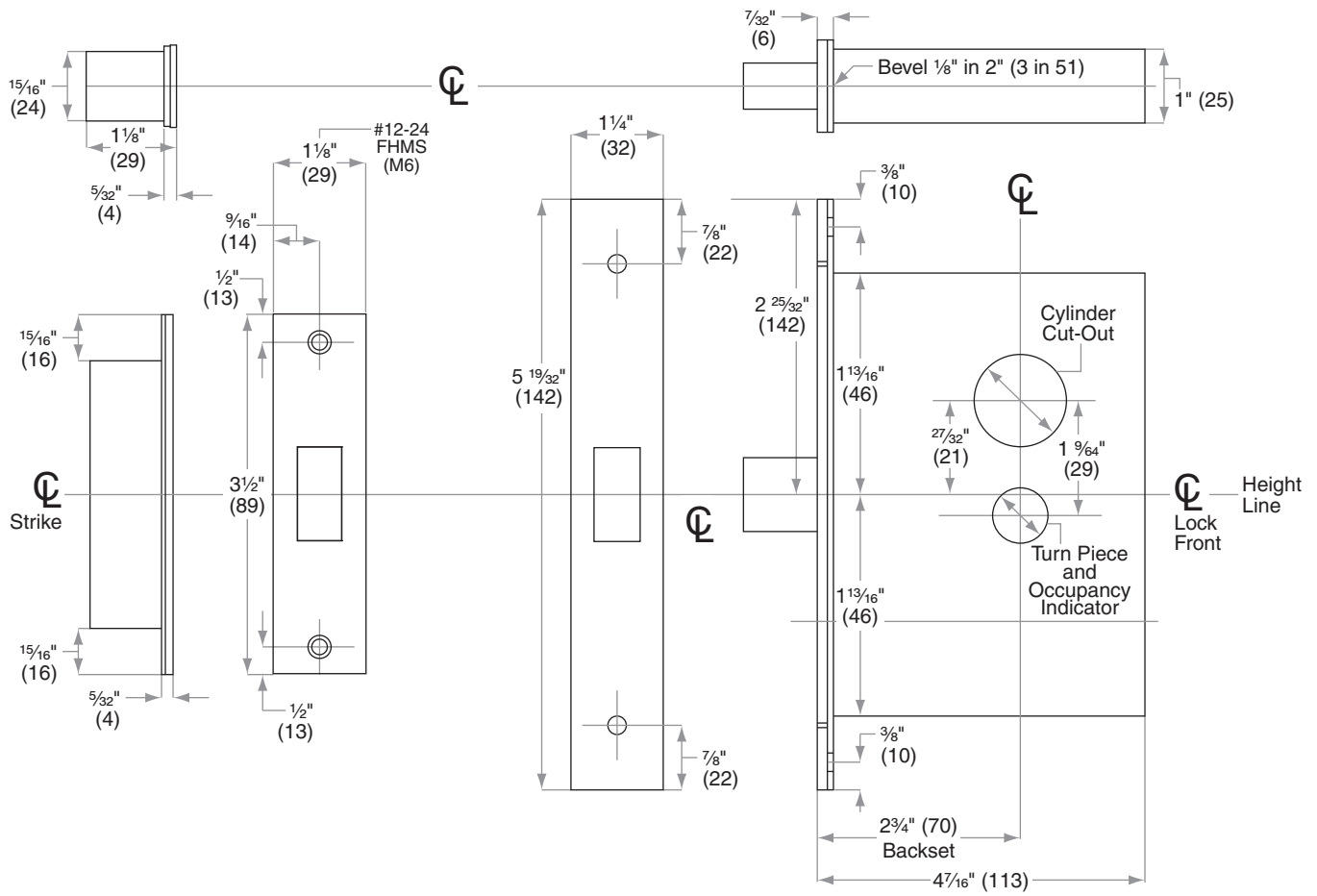
Lock dimensions

L/LV9000, LM9300



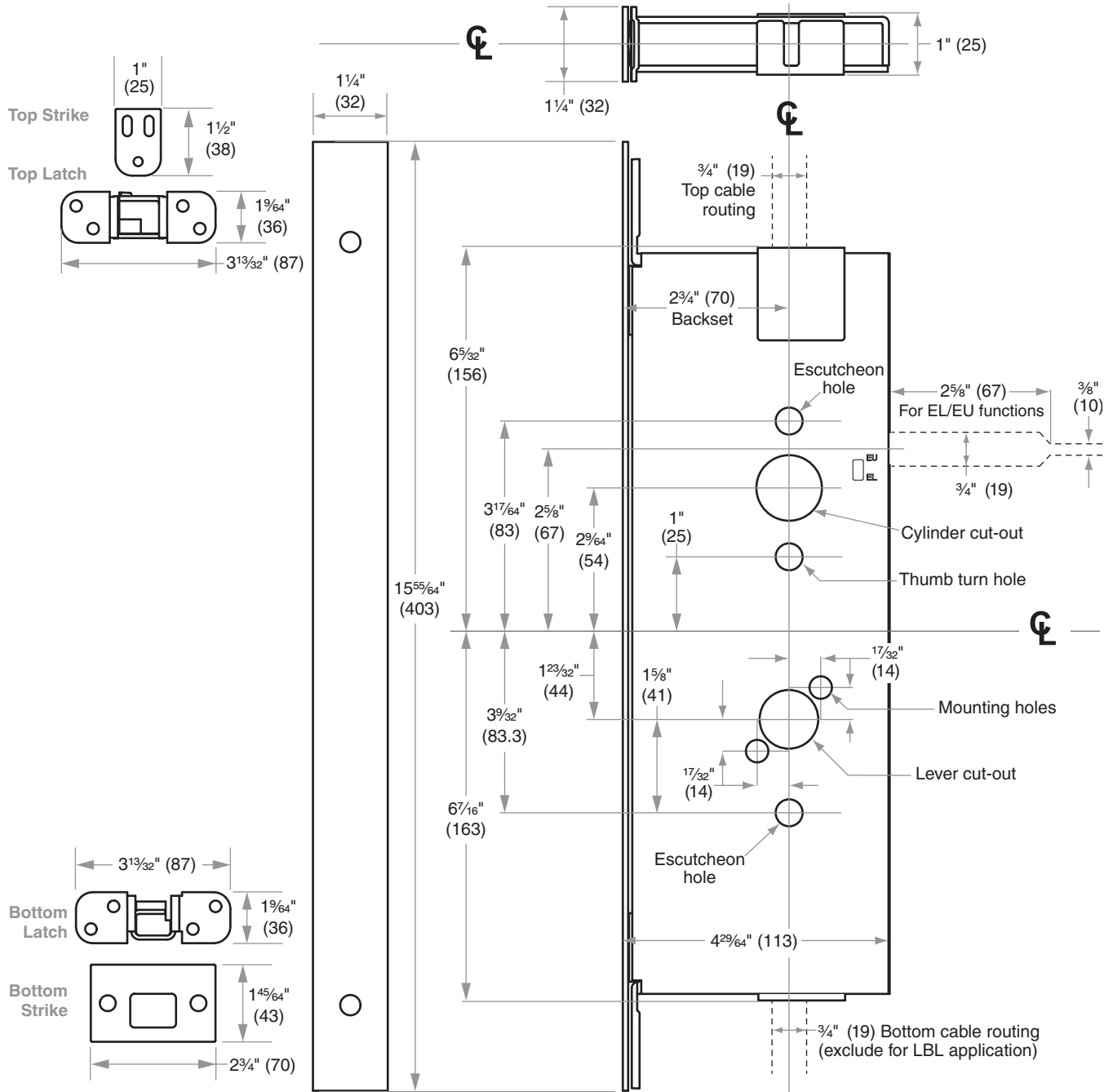
Lock dimensions

L400



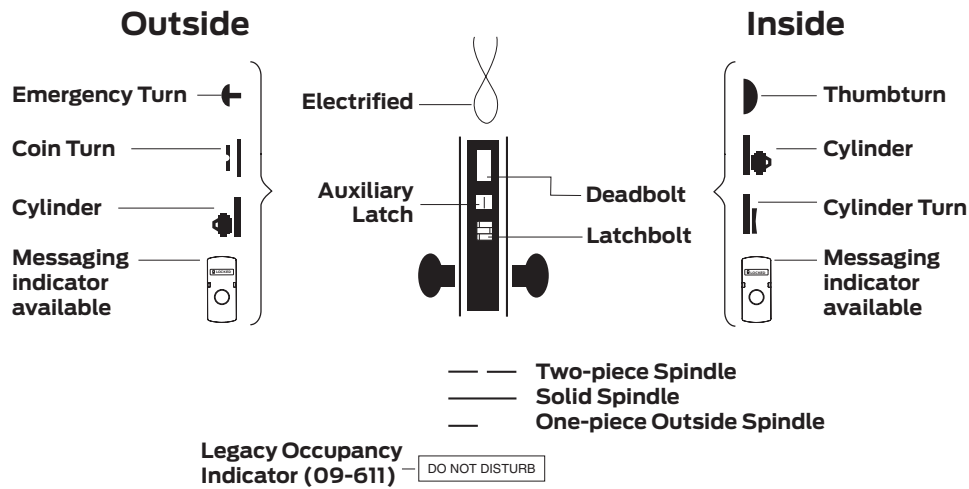
Lock dimensions

LM9200



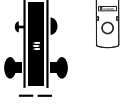





Lock assembly drawing index

The lock assembly drawing index provides representations and descriptions of available functions. Page numbers for full trim and chassis drawings are referenced.

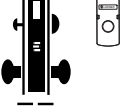



L9000 FUNCTIONS ANSI/BHMA A156.13-2017, Series 1000, Grade 1 Operational and Security Non-keyed locks			Trim assembly page no.	Lock assembly page no.		Lock case part no.	
SCHLAGE	ANSI	Description		L	LV	L	LV
L0170		Half dummy trim <ul style="list-style-type: none"> Knob/lever on one side is fixed by mounting bar. DO NOT use on hollow core wood doors. All metal door applications require reinforcement. Available with sectional and N escutcheon trim only. (For similar function with L escutcheon, see L9175 function on page 9). 	30	—	—	—	—
L0172		Full dummy trim <ul style="list-style-type: none"> Knob/lever on both sides is fixed by mounting bar. 	31	—	—	—	—
L9010	F01	Passage latch <ul style="list-style-type: none"> Latchbolt is always retracted by knob/lever from either side. Inside knob/lever always free for immediate egress. 	32	96	—	L283-131	—
L9025	F31	Exit lock <ul style="list-style-type: none"> No outside trim. Inside knob/lever only. Aux latch. Inside knob/lever always free for immediate egress. 	34	97	—	L283-750	—






Lock assembly drawing index

L9000 FUNCTIONS ANSI/BHMA A156.13-2017, Series 1000, Grade 1 Operational and Security Non-keyed locks			Trim assembly page no.	Lock assembly page no.		Lock case part no.	
SCHLAGE	ANSI	Description		L	LV	L	LV
L/LV9040	F22	Bath/bedroom privacy lock <ul style="list-style-type: none"> Latchbolt is retracted by knob/lever from either side unless outside is locked by inside thumbturn. Rotating inside knob/lever, or closing door unlocks outside knob/lever. To unlock from outside, remove emergency button, insert emergency thumbturn in access hole and rotate. Inside knob/lever is always free for immediate egress. Vandgard (LV) function allows exterior lever to rotate freely down while remaining securely locked. 	40	100	103	L283-132	L283-171
							
L/LV9040 x XL11-446		Privacy with turns both sides <ul style="list-style-type: none"> Latchbolt is retracted by knob/lever from either side Rotating inside or outside thumbturn locks outside knob/lever. Turning inside knob/lever, closing door, or rotating either thumbturn unlocks outside knob/lever. Specify per XL11-446. Vandgard (LV) function allows exterior lever to rotate freely down while remaining securely locked. 	42	100	101	L283-132	L283-171
							
L/LV9044		Privacy with coin turn outside <ul style="list-style-type: none"> Latchbolt is retracted by knob/lever from either side unless outside is locked by inside thumbturn or outside coin turn. Operating inside knob/lever, closing door, or rotating inside thumbturn or outside coin turn unlocks outside knob/lever. Available with rose and N escutcheon trim only. Specify per L283-056 for Torx® screws. (Previously XL11-868). Vandgard (LV) function allows exterior lever to rotate freely down while remaining securely locked. 	44	100	101	L283-132	L283-171
							
L9110 x XL11-741		Full dummy with active trim <ul style="list-style-type: none"> Knob/lever is always active on both sides. Includes lock case and armor front. Specify XL11-741. For optional armor front design with cutout to receive deadbolt, specify XL11-743. 	66	125	–	–	–
							
L9175		Half dummy with lock case <ul style="list-style-type: none"> Fixed knob/lever on one side is inoperable. Includes lock case and blank armor front. 	68	127	–	L283-144	–
							
L9176		Full dummy with lock case <ul style="list-style-type: none"> Fixed knobs/levers on both sides are inoperable. Includes lock case and blank armor front. For optional armor front with cutout to receive deadbolt, specify XL11-743. For double door application where dummy is used as the strike, order 10-091 armor strike separately. 	70	128	–	L283-145	–
							

Lock assembly drawing index

L9000 FUNCTIONS ANSI/BHMA A156.13-2017, Series 1000, Grade 1 Operational and Security Non-keyed locks			Trim assembly page no.	Lock assembly page no.		Lock case part no.	
SCHLAGE	ANSI	Description		L	LV	L	LV
L/LV9440	F19	 <p>Privacy with deadbolt</p> <ul style="list-style-type: none"> Latchbolt is retracted by knob/lever from either side. Deadbolt is thrown or retracted by inside thumbturn. Throwing deadbolt locks outside knob/lever. Rotating inside knob/lever simultaneously retracts deadbolt and latchbolt, and unlocks outside knob/lever. To unlock from outside, remove emergency button, insert thumbturn in access hole and rotate. Inside knob/lever only always free for immediate egress. Vandgard (LV) function allows exterior lever to rotate freely down while remaining securely locked. (Previously XL11-761). 	40	129	130	L283-062	L283-181
L/LV9444		 <p>Privacy with deadbolt and coin turn outside</p> <ul style="list-style-type: none"> Latchbolt is retracted by knob/lever from either side. Deadbolt is thrown or retracted by inside thumbturn or outside coin turn. Throwing deadbolt locks outside knob/lever. Rotating inside knob/lever simultaneously retracts deadbolt and latchbolt, and unlocks outside knob/lever. Rotating outside coin turn retracts deadbolt and unlocks outside knob/lever. Inside knob/lever only always free for immediate egress. Available with rose and N escutcheon trim only. Specify per L283-056 for Torx® screws. Vandgard (LV) function allows exterior lever to rotate freely down while remaining securely locked. (Previously XL11-868). 	44	129	130	L283-062	L283-181

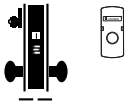
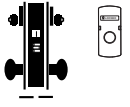
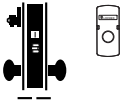
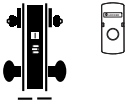
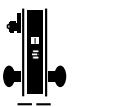
Lock assembly drawing index

L9000 FUNCTIONS ANSI/BHMA A156.13-2017, Series 1000, Grade 1 Operational and Security Keyed locks			Trim assembly page no.	Lock assembly page no.		Lock case part no.	
SCHLAGE	ANSI	Description		L	LV	L	LV
L9026 		Exit lock with cylinder <ul style="list-style-type: none"> No outside trim. Outside cylinder retracts latchbolt. Auxiliary latch deadlocks latchbolt when door is locked. Inside knob/lever always free for immediate egress. Available with rose and L escutcheon trim only. 	36	98	–	L283-134	–
L/LV9050 	F04	Entrance/office and inner entry lock <ul style="list-style-type: none"> Latchbolt is retracted by knob/lever from either side unless outside is locked by key outside, or by inside thumbturn. When outside is locked, latchbolt is retracted by key or by inside knob/lever. Outside knob/lever remains locked until unlocked by thumbturn, or by key. Auxiliary latch deadlocks latchbolt when door is closed. Inside knob/lever is always free for immediate egress. Vandgard (LV) function allows exterior lever to rotate freely down while remaining securely locked. 	46	102	103	L283-133	L283-170
L/LV9056 		L9050 with automatic unlocking <ul style="list-style-type: none"> Latchbolt is retracted by knob/lever from either side unless outside is locked by key, or by inside thumbturn. When outside is locked, latchbolt is retracted by key or by rotating inside knob/lever. Auxiliary latch deadlocks latchbolt when door is closed. Inside knob/lever is always free for immediate egress. Vandgard (LV) function allows exterior lever to rotate freely down while remaining securely locked. (Previously XL11-776). 	46	106	107	L283-126	L283-180
L/LV9060 	F09	Apartment entrance lock <ul style="list-style-type: none"> Latchbolt is retracted by knob/lever from either side unless outside is locked by key from inside. When locked, latchbolt is retracted by key outside or knob/lever inside. Auxiliary latch deadlocks when door is closed. Inside knob/lever is always free for immediate egress. Vandgard (LV) function allows exterior lever to rotate freely down while remaining securely locked. 	48	102	103	L283-133	L283-170
L9066 x XL11-897 		Store lock with double cylinders* <ul style="list-style-type: none"> Either key locks or unlocks both knobs/levers. When locked, latchbolt is retracted by key from either side. Specify per XL11-897. Vandgard (LV) function allows exterior lever to rotate freely down while remaining securely locked. 	50	102	–	L283-133	–

◇ Locks with holdback feature are not UL listed. Installation should be in accordance with existing codes only.

* Caution: Double cylinder locks on residences—or on any door in any structure which are used for egress—are a life safety hazard in times of emergency, and their use is not recommended. Installation should be in accordance with existing codes only.

Lock assembly drawing index

L9000 FUNCTIONS ANSI/BHMA A156.13-2017, Series 1000, Grade 1 Operational and Security Keyed locks			Trim assembly page no.	Lock assembly page no.		Lock case part no.	
SCHLAGE	ANSI	Description		L	LV	L	LV
L/LV9070	F05	Classroom lock <ul style="list-style-type: none"> Latchbolt is retracted by knob/lever from either side unless outside is locked by key. Unlocked from outside by key. Auxiliary latch deadlocks latchbolt when door is closed. Inside knob/lever is always free for immediate egress. Vandgard (LV) function allows exterior lever to rotate freely down while remaining securely locked. 	52	102	103	L283-133	L283-170
							
L/LV9071	F32	Classroom security lock <ul style="list-style-type: none"> Latchbolt is retracted by knob/lever from either side unless outside is locked by key from either side. When locked, latchbolt is retracted by outside key or inside knob/lever. Auxiliary latch deadlocks latchbolt when door is closed. Inside knob/lever is always free for immediate egress. Vandgard (LV) function allows exterior lever to rotate freely down while remaining securely locked. 	48	102	103	L283-133	L283-170
							
L/LV9076	F06	Classroom holdback lock ◊ <ul style="list-style-type: none"> Latchbolt is retracted by knob/lever from either side unless outside is locked by key. When locked, latchbolt is retracted by outside key or inside knob/lever. Auxiliary latch deadlocks latchbolt when door is closed. Turn inside knob or depress inside lever and turn key 360° for holdback feature. Inside knob/lever is always free for immediate egress. Vandgard (LV) function allows exterior lever to rotate freely down while remaining securely locked. 	52	108	109	L283-039	L283-172
							
L/LV9077		Classroom security holdback lock ◊ <ul style="list-style-type: none"> Latchbolt is retracted by knob/lever from either side unless locked by key from either side. When locked, latchbolt is retracted by outside key or inside knob/lever. Auxiliary latch deadlocks latchbolt when door is closed. Turn inside knob or depress inside lever and turn key 360° for holdback feature. Inside knob/lever is always free for immediate egress. Vandgard (LV) function allows exterior lever to rotate freely down while remaining securely locked. 	48	108	109	L283-039	L283-172
							
L/LV9080	F07	Storeroom lock <ul style="list-style-type: none"> Latchbolt is retracted by outside key or by inside knob/lever. Outside knob/lever is always inoperative. Auxiliary latch deadlocks latchbolt when door is closed. Inside knob/lever is always free for immediate egress. Vandgard (LV) function allows exterior lever to rotate freely down while remaining securely locked. 	52	110	111	L283-134	L283-173
							

◊ Locks with holdback feature are not UL listed. Installation should be in accordance with existing codes only.

* Caution: Double cylinder locks on residences—or on any door in any structure which are used for egress—are a life safety hazard in times of emergency, and their use is not recommended. Installation should be in accordance with existing codes only.





Lock assembly drawing index

L9000 FUNCTIONS ANSI/BHMA A156.13-2017, Series 1000, Grade 1 Operational and Security Keyed locks			Trim assembly page no.	Lock assembly page no.		Lock case part no.	
SCHLAGE	ANSI	Description		L	LV	L	LV
L/LV9080EL		Storeroom electrically locked (fail safe) <ul style="list-style-type: none"> Discontinued December 2014. Replaced by L9092EL. See page 19. 	–	–	–	–	–
L/LV9080EU		Electrically unlocked (fail secure) <ul style="list-style-type: none"> Discontinued December 2014. Replaced by L9092EU. See page 19. 	–	–	–	–	–
L/LV9081		Accessible storeroom lock <ul style="list-style-type: none"> Latchbolt is retracted by outside knob/lever after key is inserted and turned, or by inside knob/lever. Auxiliary latch deadlocks latchbolt when door is closed. Inside knob/lever is always free for immediate egress. Vandgard (LV) function allows exterior lever to rotate freely down while remaining securely locked. 	52	114	115	47333536	47333538
L/LV9082	F30	Institution lock* <ul style="list-style-type: none"> Latchbolt is retracted by key on either side. Knob/lever on both sides always inoperative. Auxiliary latch deadlocks latchbolt when door is closed. Vandgard (LV) function allows exterior lever to rotate freely down while remaining securely locked. 	48	116	117	L283-146	L283-182
L9082EL		Electrically locked (fail safe) both sides * <ul style="list-style-type: none"> Discontinued December 2014. Replaced by L9095EL. See page 20. 	–	–	–	–	–
L9082EU		Electrically unlocked (fail secure) both sides * <ul style="list-style-type: none"> Discontinued December 2014. Replaced by L9095EU. See page 20. 	–	–	–	–	–
L9412 x XL11-907		Exit lock with deadbolt <ul style="list-style-type: none"> Latchbolt is retracted by inside knob/lever. Outside knob/lever is always fixed. Deadbolt is thrown or retracted by inside thumbturn. Turning inside knob/lever retracts both the deadbolt and the latchbolt simultaneously. Auxiliary latch deadlocks latchbolt when door is locked. Available with escutcheon trim only. If rose trim is required, order L9480 with rose trim less outside cylinder. Specify per XL11-907. 	76	141	–	L283-141	–

◇ Locks with holdback feature are not UL listed. Installation should be in accordance with existing codes only.

* Caution: Double cylinder locks on residences—or on any door in any structure which are used for egress—are a life safety hazard in times of emergency, and their use is not recommended. Installation should be in accordance with existing codes only.


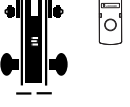
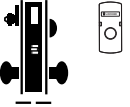


Lock assembly drawing index

L9000 FUNCTIONS ANSI/BHMA A156.13-2017, Series 1000, Grade 1 Operational and Security Keyed locks			Trim assembly page no.	Lock assembly page no.		Lock case part no.	
SCHLAGE	ANSI	Description		L	LV	L	LV
L/LV9453	F20	Entrance/office lock with deadbolt  <ul style="list-style-type: none"> Latchbolt is retracted by knob/lever from either side unless outside is locked by 20° rotation of thumbturn. Deadbolt is thrown or retracted by 90° rotation of thumbturn. When locked outside key or inside knob/lever retracts deadbolt and latchbolt simultaneously. Outside knob/lever remains locked until thumbturn is returned to vertical position. Throwing deadbolt automatically locks outside knob/lever. Auxiliary latch deadlocks latchbolt when door is closed. Inside knob/lever is always free for immediate egress. Vandgard (LV) function allows exterior lever to rotate freely down while remaining securely locked. 	46	131	132	L283-137	L283-176
L/LV9456	F13	Corridor lock with deadbolt  <ul style="list-style-type: none"> Latchbolt is retracted by knob/lever from either side. Deadbolt is operated by outside key or inside thumbturn. Throwing deadbolt locks outside knob/lever. Rotating inside knob/lever simultaneously retracts deadbolt and latchbolt and unlocks outside knob/lever. Inside knob/lever is always free for immediate egress. Vandgard (LV) function allows exterior lever to rotate freely down while remaining securely locked. 	46	133	134	L283-138	L283-177
L/LV9457	F33	Classroom security lock with deadbolt  <ul style="list-style-type: none"> Latchbolt is retracted by knob/lever from either side. Deadbolt is operated by key from either side. Throwing deadbolt locks outside knob/lever. Rotating inside knob/lever simultaneously retracts deadbolt and latchbolt and unlocks outside knob/lever. Inside knob/lever is always free for immediate egress. Vandgard (LV) function allows exterior lever to rotate freely down while remaining securely locked. 	48	133	134	L283-138	L283-177
L/LV9458	F34	Classroom security lock with auxiliary latch and deadbolt  <ul style="list-style-type: none"> Latchbolt is operated by knob/lever from either side. When door is locked by key from inside or outside knob/lever is inoperative. Deadbolt is thrown or retracted by key from inside or outside. Operating inside knob/lever retracts deadbolt and latchbolt, and unlocks outside knob/lever. Auxiliary latch deadlocks the latchbolt when door is closed. Inside lever is always free for immediate egress. Vandgard (LV) function allows exterior lever to rotate freely down while remaining securely locked. 	48	135	136	L283-310	L283-311

◇ Locks with holdback feature are not UL listed. Installation should be in accordance with existing codes only.

* Caution: Double cylinder locks on residences—or on any door in any structure which are used for egress—are a life safety hazard in times of emergency, and their use is not recommended. Installation should be in accordance with existing codes only.

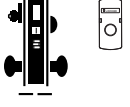



Lock assembly drawing index

L9000 FUNCTIONS ANSI/BHMA A156.13-2017, Series 1000, Grade 1 Operational and Security Keyed locks			Trim assembly page no.	Lock assembly page no.		Lock case part no.	
SCHLAGE	ANSI	Description		L	LV	L	LV
L9465 		Closet/storeroom lock <ul style="list-style-type: none"> Latchbolt is operated by knob/lever from either side. Deadbolt is operated by outside key. Inside lever does not retract the deadbolt. 	52	140	–	L283-140	–
L9466 	F14	Storeroom/utility room lock* <ul style="list-style-type: none"> Latchbolt is operated by knob/lever from either side. Deadbolt is operated by key from either side. Inside lever does not retract the deadbolt. 	48	140	–	L283-140	–
L9473 	F21	Dormitory/bedroom lock <ul style="list-style-type: none"> Latchbolt is operated by knob/lever from either side. Deadbolt is operated by outside key or inside thumbturn. Inside lever does not retract the deadbolt. 	46	140	–	L283-140	–
L/LV9480 		Storeroom lock with deadbolt <ul style="list-style-type: none"> Latchbolt is operated by outside key or by inside knob/lever. Outside knob/lever is always fixed. Deadbolt is operated by outside key or inside thumbturn. Rotating inside knob/lever simultaneously retracts both deadbolt and latchbolt. Auxiliary latch deadlocks latchbolt when door is closed. Inside knob/lever is always free for immediate egress. Vandgard (LV) function allows exterior lever to rotate freely down while remaining securely locked. (Previously XL11-591). 	76	141	142	L283-141	L283-178
L/LV9482 x XL11-543 		Institution lock with deadbolt* <ul style="list-style-type: none"> Latchbolt is operated by key from either side. Knob/lever on both sides are always inoperative. Deadbolt is operated by key on either side. Auxiliary latch deadlocks latchbolt when door is closed. Specify per XL11-543. Vandgard (LV) function allows exterior lever to rotate freely down while remaining securely locked. 	78	143	144	–	–

◇ Locks with holdback feature are not UL listed. Installation should be in accordance with existing codes only.

* Caution: Double cylinder locks on residences—or on any door in any structure which are used for egress—are a life safety hazard in times of emergency, and their use is not recommended. Installation should be in accordance with existing codes only.

Lock assembly drawing index

L9000 FUNCTIONS ANSI/BHMA A156.13-2017, Series 1000, Grade 1 Operational and Security Keyed locks			Trim assembly page no.	Lock assembly page no.		Lock case part no.	
SCHLAGE	ANSI	Description		L	LV	L	LV
L/LV9485		 <p>Faculty restroom lock with deadbolt</p> <ul style="list-style-type: none"> Latchbolt is retracted by outside key or by inside knob/lever. Outside knob/lever is always fixed. Deadbolt is thrown or retracted by inside thumbturn. When deadbolt is thrown, all keys become inoperative except emergency and display keys. Rotating inside knob/lever simultaneously retracts both deadbolt and latchbolt. Auxiliary latch deadlocks latchbolt when door is closed. Inside lever is always free for immediate egress. Not available with SFIC or Everest SL cylinder. Vandgard (LV) function allows exterior lever to rotate freely down while remaining securely locked. 	76	141	142	L283-141	L283-178
L9485 x XL11-557		 <p>Prison lock</p> <ul style="list-style-type: none"> Available with knob trim only. Latchbolt is retracted by key outside or by knob inside. Outside knob is always free spinning. Deadbolt is thrown or retracted only by guard's key. Inside knob becomes fixed when deadbolt is thrown. Prisoner's key only retracts latchbolt. Furnished with tamper-resistant Torx® screws. Specify per XL11-557. 	80	145	–	–	
L/LV9486	F15	 <p>L/LV9485 with 09-611 "Do not disturb" indicator</p> <ul style="list-style-type: none"> (Note: This is the "old style" indicator, not the 180 degree indicator available on other indicator functions.) Latchbolt is retracted by outside key or by inside knob/lever. Outside knob/lever is always fixed. Deadbolt is thrown or retracted by inside thumbturn. When deadbolt is thrown, all keys become inoperative except emergency and display keys, and indicator sign is displayed. Rotating inside knob/lever simultaneously retracts both deadbolt and latchbolt. Auxiliary latch deadlocks latchbolt when door is closed. Inside lever is always free for immediate egress. Vandgard (LV) function allows exterior lever to rotate freely down while remaining securely locked. 	82	141	142	L283-141	L283-178
L/LV9486 x L583-375		 <p>L/LV9485 with 09-611 "Occupied" indicator</p> <ul style="list-style-type: none"> L/LV9486 (Pr with "Occupied" indicator sign. Specify per L583-375. (Previously XL11-580.) Vandgard (LV) function allows exterior lever to rotate freely down while remaining securely locked. 	82	141	142	L283-141	L283-178

◇ Locks with holdback feature are not UL listed. Installation should be in accordance with existing codes only.

* Caution: Double cylinder locks on residences—or on any door in any structure which are used for egress—are a life safety hazard in times of emergency, and their use is not recommended. Installation should be in accordance with existing codes only.

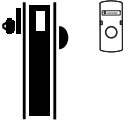
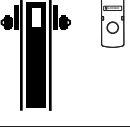
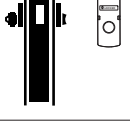


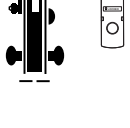
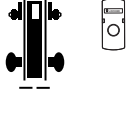
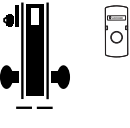
Lock assembly drawing index

L9000 FUNCTIONS ANSI/BHMA A156.13-2017, Series 1000, Grade 1 Operational and Security Keyed locks			Trim assembly page no.	Lock assembly page no.		Lock case part no.	
SCHLAGE	ANSI	Description		L	LV	L	LV
L/LV9496		<p>L/LV9456 with "Occupied" indicator</p> <ul style="list-style-type: none"> • (Note: This is the "old style" indicator, not the 180 degree indicator available on other indicator functions.) • Latchbolt is retracted by knob/lever from either side. • Deadbolt is thrown or retracted by outside key or inside thumbturn. • When deadbolt is thrown outside lever is locked and indicator sign is displayed. • Rotating inside knob/lever simultaneously retracts both deadbolt and latchbolt, and unlocks outside lever. • Inside lever is always free for immediate egress. • Vandgard (LV) function allows exterior lever to rotate freely down while remaining securely locked. • (Previously XL11-885.) 	82	133	134	L283-138	L283-177





- ◇ Locks with holdback feature are not UL listed. Installation should be in accordance with existing codes only.
- * Caution: Double cylinder locks on residences—or on any door in any structure which are used for egress—are a life safety hazard in times of emergency, and their use is not recommended. Installation should be in accordance with existing codes only.


Lock assembly drawing index

L9000 FUNCTIONS ANSI/BHMA A156.13-2017, Series 1000, Grade 1 Operational and Security Keyed L9000-Series deadbolts			Trim assembly page no.	Lock assembly page no.	Lock case part no.
SCHLAGE	ANSI	Description			
L9460	F17	Cylinder by thumbturn lock <ul style="list-style-type: none"> • Deadbolt is operated by key outside or thumbturn inside. 	72	137	L283-139
L9462	F16	Double cylinder lock* <ul style="list-style-type: none"> • Deadbolt is operated by key on either side. 	72	137	L283-139
L9463	F29	Classroom lock <ul style="list-style-type: none"> • Deadbolt is operated by key on outside. • Inside cylinder turn retracts deadbolt but cannot extend it. 	72	137	L283-139
L9464	F18	Cylinder lock <ul style="list-style-type: none"> • Deadbolt is operated by key on one side. • No trim on opposite side. 	72	137	L283-139
L9460 x XL11-635		L9460 with fixed dummy trim <ul style="list-style-type: none"> • Knob/lever is always fixed on both sides. • Deadbolt is operated by outside key or inside thumbturn. • Specify per XL11-635. 	74	138	–
L9460 x XL11-886		Deadbolt with retraction by inside knob/lever <ul style="list-style-type: none"> • Deadbolt is operated by outside key or inside turn. • Inside knob/lever is active when deadbolt is extended. • Rotating inside knob/lever retracts deadbolt. • Outside knob/lever is always fixed. • Specify per XL11-886. 	76	139	–
L9462 x XL11-886		Double cylinder deadbolt* with retraction by inside knob/lever <ul style="list-style-type: none"> • Deadbolt is operated by key on either side. • Inside knob/lever is active when deadbolt is extended. • Rotating inside knob/lever retracts deadbolt. • Outside knob/lever is always fixed. • Specify per XL11-886. 	48	139	–
L9464 x XL11-886		Single cylinder deadbolt with retraction by inside knob/lever <ul style="list-style-type: none"> • Deadbolt is operated by outside key. • Inside knob/lever is active when deadbolt is extended. • Rotating inside knob/lever retracts deadbolt. • Outside knob/lever is always fixed. • Specify per XL11-886. 	52	139	–

* Caution: Double cylinder locks on residences—or on any door in any structure which are used for egress—are a life safety hazard in times of emergency, and their use is not recommended. Installation should be in accordance with existing codes only.




Lock assembly drawing index

L909X Electrified functions ANSI/BHMA A156.13-2017 Operational and Security Non-keyed locks		Trim assembly page no.	Lock assembly page no.		Lock case part no.	
SCHLAGE	Description		L	LV	L	LV
L/LV9090 EL/EU 	Electrically locking and unlocking outside lever (no cylinder) <ul style="list-style-type: none"> • Outside knob/lever continuously locked (EL) or unlocked (EU) by 12 or 24V DC. • EL is fail safe (power failure allows outside knob/lever to retract latchbolt). • EU is fail secure (power failure locks outside knob/lever). • Latchbolt is retracted by outside knob/lever unless electrically locked, or at any time by inside knob/lever. • Auxiliary latch deadlocks latchbolt when door is closed. • Inside knob/lever is always free for immediate egress. • Vandlgard (LV) function allows exterior lever to rotate freely down while remaining securely locked. 	54	118	119	L283-347	L283-597
L/LV9091 EL/EU 	Electrically locking and unlocking both levers (no cylinder) <ul style="list-style-type: none"> • Both sides knob/lever continuously locked (EL) or unlocked (EU) by 12 or 24V DC. • EL is fail safe (power failure allows outside knob/lever to retract latchbolt). • EU is fail secure (power failure locks outside knob/lever). • Latchbolt is retracted by inside or outside knob/lever unless electrically locked. • Auxiliary latch deadlocks latchbolt when door is closed. • Inside knob/lever is always free for immediate egress. • Vandlgard (LV) function allows exterior lever to rotate freely down while remaining securely locked. 	56	120	121	L283-395	L283-598

L909X Electrified functions ANSI/BHMA A156.13-2017 Operational and Security Keyed Locks		Trim assembly page no.	Lock assembly page no.		Lock case part no.	
SCHLAGE	Description		L	LV	L	LV
L/LV9092 EL/EU 	Electrically locking and unlocking outside lever (outside cylinder) <ul style="list-style-type: none"> • Outside lever continuously locked (EL) or unlocked (EU) by 12 or 24V DC. • EL is fail safe (power failure allows outside knob/lever to retract latchbolt). • EU is fail secure (power failure locks outside knob/lever). • Latchbolt is retracted by outside knob/lever unless electrically locked, or at any time by inside knob/lever. • Auxiliary latch deadlocks latchbolt when door is closed. • Inside knob/lever is always free for immediate egress. • Vandlgard (LV) function allows exterior lever to rotate freely down while remaining securely locked. 	58	118	119	L283-347	L283-597



* Caution: Double cylinder locks on residences—or on any door in any structure which are used for egress—are a life safety hazard in times of emergency, and their use is not recommended. Installation should be in accordance with existing codes only.

Lock assembly drawing index

L909X Electrified functions ANSI/BHMA A156.13-2017 Operational and Security Keyed Locks		Trim assembly page no.	Lock assembly page no.		Lock case part no.	
			L	LV	L	LV
SCHLAGE	Description					
L/LV9093 EL/EU 	Electrically locking and unlocking both levers (outside cylinder) <ul style="list-style-type: none"> Both sides knob/lever continuously locked (EL) or unlocked (EU) by 12 or 24V DC. EL is fail safe (power failure allows outside knob/lever to retract latchbolt). EU is fail secure (power failure locks outside knob/lever). Latchbolt is retracted by inside or outside knob/lever unless electrically locked, or by keyed cylinder. Auxiliary latch deadlocks latchbolt when door is locked. Vandgard (LV) function allows exterior lever to rotate freely down while remaining securely locked. 	60	120	121	L283-395	L283-598
L/LV9094 EL/EU 	Electrically locking and unlocking outside lever (inside and outside cylinders)* <ul style="list-style-type: none"> Outside lever continuously locked (EL) or unlocked (EU) by 12 or 24V DC. EL is fail safe (power failure allows outside knob/lever to retract latchbolt). EU is fail secure (power failure locks outside knob/lever). Latchbolt is retracted by outside knob/lever unless electrically locked, or at any time by inside knob/lever, or by keyed cylinder on either side. Inside knob/lever is always free for immediate egress. Auxiliary latch deadlocks latchbolt when door is locked. Vandgard (LV) function allows exterior lever to rotate freely down while remaining securely locked. 	62	118	119	L283-347	L283-597
L/LV9095 EL/EU 	Electrically locking and unlocking both levers (inside and outside cylinders)* <ul style="list-style-type: none"> Both sides knob/lever continuously locked (EL) or unlocked (EU) by 12 or 24V DC. EL is fail safe (power failure allows outside knob/lever to retract latchbolt). EU is fail secure (power failure locks outside knob/lever). Latchbolt retracted by knob/lever on either side when both sides are electrically unlocked, or by keyed cylinder on either side. Auxiliary latch deadlocks latchbolt when door is closed. Vandgard (LV) function allows exterior lever to rotate freely down while remaining securely locked. 	64	120	121	L283-395	L283-598



* Caution: Double cylinder locks on residences—or on any door in any structure which are used for egress—are a life safety hazard in times of emergency, and their use is not recommended. Installation should be in accordance with existing codes only.

Lock assembly drawing index

L949X Electrified functions ANSI/BHMA A156.13-2017 Operational and Security Keyed locks with deadbolt		Trim assembly page no.	Lock assembly page no.		Lock case part no.	
			L	LV	L	LV
SCHLAGE	Description					
L/LV9492 EL/EU 	Electrically locking and unlocking outside lever (outside cylinder, inside thumbturn with deadbolt) <ul style="list-style-type: none"> • Outside knob/lever continuously locked (EL) or unlocked (EU) by 12 or 24V DC. • EL is fail safe (power failure allows outside knob/lever to retract latchbolt). • EU is fail secure (power failure locks outside knob/lever). • Rotating inside knob/lever simultaneously retracts both deadbolt and latchbolt. • Latchbolt is operated by outside key or by outside lever when unlocked. • When unlocked, rotating outside lever retracts deadbolt. • Deadbolt is thrown or retracted by key outside or by thumbturn inside. Deadbolt projection does not control lever lock/unlock state. • Auxiliary latch deadlocks latchbolt when door is closed. • Inside knob/lever is always free for immediate egress. • Deadbolt monitor (DM) is supplied standard with all L949X functions as of April 1, 2021. • Vandlgard (LV) function allows exterior lever to rotate freely down while remaining securely locked. 	58	122	123	L283-467	L283-599
L/LV9493 EL/EU 	Electrically locking and unlocking both levers (outside cylinder, inside thumbturn with deadbolt)* <ul style="list-style-type: none"> • Both knobs/levers continuously locked (EL) or unlocked (EU) by 12 or 24V DC. • EL is fail safe (power failure allows outside knob/lever to retract latchbolt). • EU is fail secure (power failure locks outside knob/lever). • Rotating inside knob/lever simultaneously retracts both deadbolt and latchbolt when unlocked. • Latchbolt is operated by outside key or by outside lever when unlocked. • Deadbolt is thrown or retracted by key outside or by thumbturn inside. Deadbolt projection does not control lever lock/unlock state. • When unlocked, rotating outside lever retracts deadbolt and opens door. • Auxiliary latch deadlocks latchbolt when door is closed. • Deadbolt monitor (DM) is supplied standard with all L949X functions as of April 1, 2021. • Vandlgard (LV) function allows exterior lever to rotate freely down while remaining securely locked. 	60	124	125	L283-468	L283-600



* Caution: Double cylinder locks on residences—or on any door in any structure which are used for egress—are a life safety hazard in times of emergency, and their use is not recommended. Installation should be in accordance with existing codes only.






Lock assembly drawing index

L949X Electrified functions ANSI/BHMA A156.13-2017 Operational and Security Keyed locks with deadbolt		Trim assembly page no.	Lock assembly page no.		Lock case part no.	
SCHLAGE	Description		L	LV	L	LV
L/LV9494 EL/EU 	<p>Electrically locking and unlocking outside lever (inside and outside cylinder with deadbolt)*</p> <ul style="list-style-type: none"> • Outside lever continuously locked (EL) or unlocked (EU) by 12 or 24V DC. • EL is fail safe (power failure allows outside knob/lever to retract latchbolt). • EU is fail secure (power failure locks outside knob/lever). • Rotating inside knob/lever simultaneously retracts both deadbolt and latchbolt. • Deadbolt is thrown or retracted by key on either side. Deadbolt projection does not control lever lock/unlock state. • When unlocked, rotating outside lever retracts deadbolt and latchbolt. • Auxiliary latch deadlocks latchbolt when door is closed. • Inside knob/lever is always free for immediate egress. • Deadbolt monitor (DM) is supplied standard with all L949X functions as of April 1, 2021. • Vandlgard (LV) function allows exterior lever to rotate freely down while remaining securely locked. 	62	122	123	L283-467	L283-599
L/LV9495 EL/EU 	<p>Electrically locking and unlocking both levers (inside and outside cylinder with deadbolt)*</p> <ul style="list-style-type: none"> • Both knobs/levers continuously locked (EL) or unlocked (EU) by 12 or 24V DC. • EL is fail safe (power failure allows outside knob/lever to retract latchbolt). • EU is fail secure (power failure locks outside knob/lever). • Latchbolt is retracted by key from either side, or rotating inside or outside knob/lever when unlocked. • Rotating inside knob/lever retracts both deadbolt and latchbolt when unlocked. • Deadbolt is thrown or retracted by key on either side. Deadbolt projection does not control lever lock/unlock state. • Auxiliary latch deadlocks latchbolt when door is closed. • Deadbolt monitor (DM) is supplied standard with all L949X functions as of April 1, 2021. • Vandlgard (LV) function allows exterior lever to rotate freely down while remaining securely locked. 	64	124	125	L283-468	L283-600

* Caution: Double cylinder locks on residences—or on any door in any structure which are used for egress—are a life safety hazard in times of emergency, and their use is not recommended. Installation should be in accordance with existing codes only.

Lock assembly drawing index







LM9200 Two-point functions** ANSI/BHMA A156.13-2017 Operational and Security Non-keyed locks		Trim assembly page no.	Lock assembly page no.	Lock case part no.
SCHLAGE	Description			
LM9210 	Passage lock two-point latch <ul style="list-style-type: none"> Both levers retract latchbolt at all times. Inside lever is always free for immediate egress. 	84	146	24759599
LM9225 	Exit lock two-point latch <ul style="list-style-type: none"> Inside lever only, no outside trim. Inside lever retracts latchbolt. Inside lever is always free for immediate egress. 	86	146	24759599

LM9200 Multipoint functions** ANSI/BHMA A156.13-2017 Operational and Security Keyed Locks		Trim assembly page no.	Lock assembly page no.	Lock case part no.
SCHLAGE	Description			
LM9250 	Office, entry lock two-point latch <ul style="list-style-type: none"> Both levers retract latchbolt unless outside is made inoperative by outside key or by turning inside thumbturn. Outside lever is unlocked by thumbturn or by outside key. When locked, outside key and lever retract latchbolt. Inside lever is always free for immediate egress. 	88	148	24759623
LM9256 	LM9250 Office, entry with automatic unlocking two-point latch <ul style="list-style-type: none"> Both levers retract latchbolt unless outside is made inoperative by outside key or by turning inside thumbturn. Outside lever is unlocked by inside thumbturn, or by outside key, or by rotating inside lever. When locked, outside key and lever retract latchbolt. Inside lever is always free for immediate egress. 	88	147	24616914
LM9270 	Classroom lock two-point latch <ul style="list-style-type: none"> Both levers retract latchbolt unless outside is made inoperative by outside key. Outside lever is locked and unlocked by outside key. When locked, outside key and lever retract latchbolt. Inside lever is always free for immediate egress. 	90	148	24759623
LM9271 	Classroom security lock two-point latch * <ul style="list-style-type: none"> Both levers retract latchbolt unless outside is made inoperative by key on either side. When outside is locked, outside key and lever retract latchbolt or retracted by inside lever. Outside lever is locked and unlocked by inside or outside key. Inside lever is always free for immediate egress. 	92	148	24759623
LM9280 	Storeroom lock two-point latch <ul style="list-style-type: none"> Latchbolt retracted by outside lever after key is inserted into outside cylinder and rotated 280°, or anytime by inside lever. Inside lever is always free for immediate egress. 	90	148	24759623

* Caution: Double cylinder locks on residences—or on any door in any structure which are used for egress—are a life safety hazard in times of emergency, and their use is not recommended. Installation should be in accordance with existing codes only.

** Requires doors specifically designed for two-point latch system.



Lock assembly drawing index

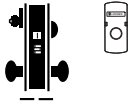

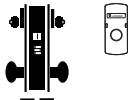

LM9200 Multipoint functions** ANSI/BHMA A156.13-2017 Operational and Security Keyed Locks		Trim assembly page no.	Lock assembly page no.	Lock case part no.
SCHLAGE	Description			
LM9290 EL/EU 	Electrically locking/unlocking outside lever lock, two-point latch (no cylinder) <ul style="list-style-type: none"> • Outside lever continuously locked (EL) or unlocked (EU) by 12V or 24V DC. • EL is fail safe (power failure allows outside lever to retract latch). • EU is fail secure (power failure locks outside lever). • Latchbolt retracted by outside lever when unlocked, or anytime by inside lever. • Inside lever is always free for immediate egress. 	84	149	24759656
LM9291 EL/EU 	Electrically locking/unlocking both levers lock, two-point latch (no cylinder) * <ul style="list-style-type: none"> • Both levers continuously locked (EL) or unlocked (EU) by 12V or 24V DC. • EL is fail safe (power failure allows outside lever to retract latch). • EU is fail secure (power failure locks outside lever). • Latchbolt retracted by outside or inside lever when unlocked. 	84	150	24759664
LM9292 EL/EU 	Electrically locking/unlocking outside lever lock, two-point latch (outside cylinder) <ul style="list-style-type: none"> • Outside lever continuously locked (EL) or unlocked (EU) by 12V or 24V DC. • EL is fail safe (power failure allows outside lever to retract latch). • EU is fail secure (power failure locks outside lever). • Latchbolt retracted by outside key and lever, by electrically unlocking door and rotating outside lever, or anytime by inside lever. • Inside lever is always free for immediate egress. 	90	149	24759656
LM9293 EL/EU 	Electrically locking/unlocking both levers lock two-point latch (outside cylinder) <ul style="list-style-type: none"> • Both levers continuously locked (EL) or unlocked (EU) by 12V or 24V DC. • EL is fail safe (power failure allows outside lever to retract latch). • EU is fail secure (power failure locks outside lever). • Latchbolt retracted by outside key and lever, or by electrically unlocking door and rotating either lever. 	90	150	24759664
LM9294 EL/EU 	Electrically locking/unlocking outside lever lock two-point latch (inside and outside cylinder) * <ul style="list-style-type: none"> • Outside lever continuously locked (EL) or unlocked (EU) by 12V or 24V DC. • EL is fail safe (power failure allows outside lever to retract latch). • EU is fail secure (power failure locks outside lever). • Latchbolt retracted by outside key and lever, by electrically unlocking door and rotating outside lever, or anytime by inside lever. • Inside lever is always free for immediate egress. 	92	149	24759656
LM9295 EL/EU 	Electrically locking/unlocking both levers lock two-point latch (inside and outside cylinder) * <ul style="list-style-type: none"> • Both levers continuously locked (EL) or unlocked (EU) by 12V or 24V DC. • EL is fail safe (power failure allows outside lever to retract latch). • EU is fail secure (power failure locks outside lever). • Latchbolt retracted by outside key and lever, by inside key and lever, or by electrically unlocking door and rotating either lever. 	92	150	24759664

* Caution: Double cylinder locks on residences—or on any door in any structure which are used for egress—are a life safety hazard in times of emergency, and their use is not recommended. Installation should be in accordance with existing codes only.

** Requires doors specifically designed for two-point latch system.






Lock assembly drawing index


LM9300 Multipoint functions** ANSI/BHMA A 156.37-2014 Grade 1 Operational and Security Non-keyed locks		Trim assembly page no.	Lock assembly page no.	Lock case part no.
SCHLAGE	Description			
LM9310 	Passage latch with three-point latch <ul style="list-style-type: none"> Latchbolt retracted by knob/lever from either side at all times. Auxiliary latch deadlocks latchbolt when door is closed. Inside and outside knob/lever are always free for immediate egress. 	32	99	L283-314
LM9325 	Exit lock function with three-point latch <ul style="list-style-type: none"> Latchbolt retracted by inside knob/lever at all times. No outside trim. Auxiliary latch deadlocks latchbolt when door is closed. 	38	99	L283-314

LM9300 Multipoint functions** ANSI/BHMA A 156.37-2014 Grade 1 Operational and Security Keyed Locks		Trim assembly page no.	Lock assembly page no.		Lock case part no.	
SCHLAGE	Description		L	LV	L	LV
LM/LMV9350 	Office and inner entry lock with three-point latch <ul style="list-style-type: none"> Latchbolt is retracted by knob/lever from either side unless outside is made inoperative by key outside or inside thumbturn. When outside is locked, latchbolt is retracted by key and knob/lever outside or by knob/lever inside. Outside knob/lever remains locked until thumbturn is returned to vertical position or unlocked by key. Auxiliary latch deadlocks latchbolt when door is closed. Inside knob/lever is always free for immediate egress. Vandlgard (LV) function allows exterior lever to rotate freely down while remaining securely locked. 	46	104	105	L283-316	L283-317
LM/LMV9370 	Classroom lock with three-point latch <ul style="list-style-type: none"> Latchbolt is retracted by knob/lever from either side unless outside is locked by key. When outside is locked, latchbolt is retracted by key and knob/lever outside or by knob/lever inside. Inside knob/lever is always free for immediate egress. Auxiliary latch deadlocks latchbolt when door is closed. Vandlgard (LV) function allows exterior lever to rotate freely down while remaining securely locked. 	52	104	105	L283-316	L283-317
LM/LMV9371 	Classroom security lock with three-point latch <ul style="list-style-type: none"> Latchbolt is retracted by knob/lever from either side unless locked by key from either side. When outside is locked, latchbolt is retracted by key and knob/lever outside or knob/lever inside. Inside knob/lever is always free for immediate egress. Auxiliary latch deadlocks latchbolt when door is closed. Vandlgard (LV) function allows exterior lever to rotate freely down while remaining securely locked. 	48	104	105	L283-316	L283-317
LM/LMV9380 	Storeroom lock with three-point latch <ul style="list-style-type: none"> Latchbolt is retracted by outside knob/lever after key is inserted and rotated 280°, or anytime by inside knob/lever. Auxiliary latch deadlocks latchbolt when door is closed. Inside knob/lever is always free for immediate egress. Vandlgard (LV) function allows exterior lever to rotate freely down while remaining securely locked. 	52	112	113	L283-316	L283-317

** Specify handing (LM9300 handing is not field reversible). Available for 1¾" door thickness. For use only with MultiPoint Lock Tornado, Tornado Shutter, Hurricane, or Security solution. Solution requires door and rod set sold through Steelcraft®.

Lock assembly drawing index

L400 FUNCTIONS ANSI/BHMA A156.36-2010, Grade 1 Keyed L400-Series			Trim assembly page no.	Lock assembly page no.	Lock case page no.
SCHLAGE	ANSI				
L460	E06071	Cylinder by thumbturn lock <ul style="list-style-type: none"> • Deadbolt is operated by outside key outside or inside thumbturn. 	28	95	L283-099
L462	E06061	Double cylinder lock* <ul style="list-style-type: none"> • Deadbolt is operated by key on either side. 	28	95	L283-099
L463	E06091	Classroom lock <ul style="list-style-type: none"> • Deadbolt is operated by key on outside. • Inside cylinder turn retracts deadbolt but cannot extend it. 	28	95	L283-099
L464	E06081	Cylinder lock <ul style="list-style-type: none"> • Deadbolt is operated by key on one side. • No trim on opposite side. 	28	95	L283-099
L496		Deadbolt lock with "occupied" indicator <ul style="list-style-type: none"> • Deadbolt is operated by key outside or thumbturn inside. • Furnished with 09-611 per L583-375 indicator. • When deadbolt is thrown, "Occupied" plate is displayed. • Available with rose trim only. • (Previously XL11-911) 	28	95	L283-099

L400 FUNCTIONS ANSI/BHMA A156.36-2010, Grade 1 Non-keyed L400-Series			Trim assembly page no.	Lock assembly page no.	Lock case page no.
SCHLAGE	ANSI	Description			
L480		Door bolt <ul style="list-style-type: none"> • Deadbolt is operated by thumbturn on one side. • No trim on opposite side. 	28	95	L283-099

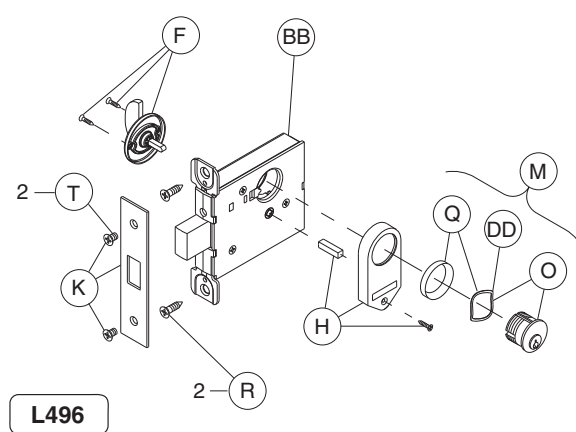
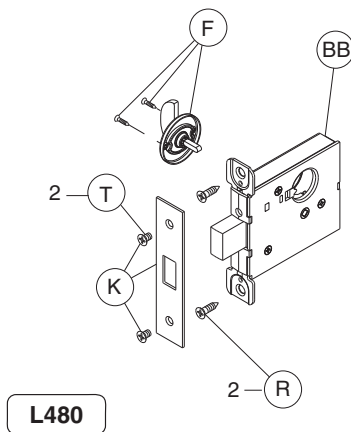
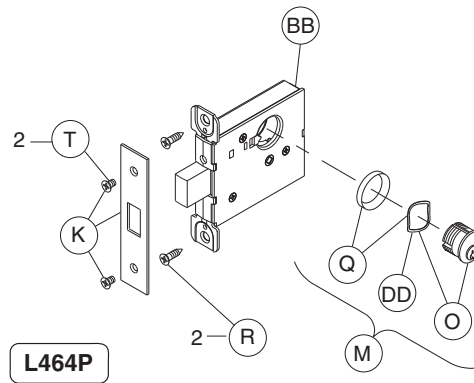
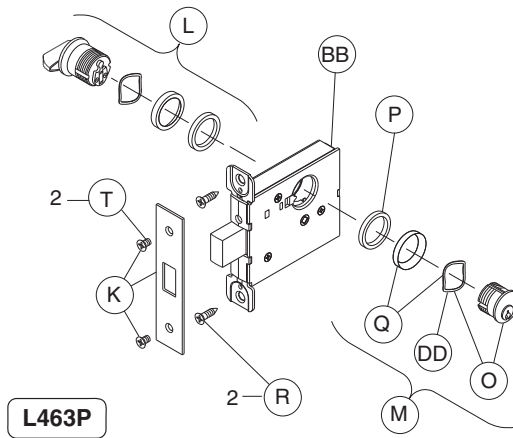
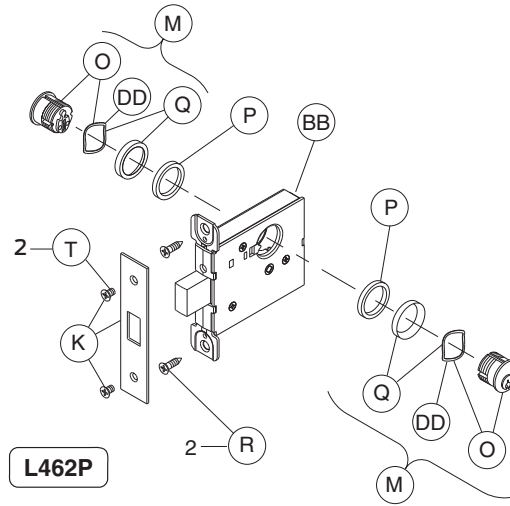
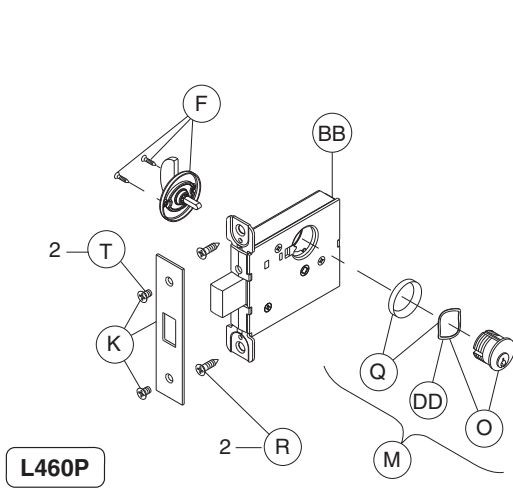
* Caution: Double cylinder locks on residences—or on any door in any structure which are used for egress—are a life safety hazard in times of emergency, and their use is not recommended. Installation should be in accordance with existing codes only.

Trim assemblies

- 28 L400 Series deadbolt trim
- 30 L9000 Series single dummy trim
- 31 L9000 Series double dummy trim
- 32 Passage latch trim
- 34 Exit trim
- 36 Exit trim with cylinder
- 38 Exit trim with three-point latch
- 40 Emergency button x turn trim
- 42 Privacy x turns both sides trim
- 44 Coin turn outside x turn trim
- 46 Cylinder x turn trim
- 48 Double cylinder trim
- 50 Double cylinder store trim
- 52 Cylinder outside trim
- 54 Electrically locked/unlocked outside trim
- 56 Electrically locked/unlocked both sides trim
- 60 Electrically locked/unlocked both sides trim, single cylinder
- 62 Electrically locked/unlocked outside trim, double cylinder
- 64 Electrically locked/unlocked both sides trim, double cylinder
- 66 Active double dummy trim
- 68 Single dummy with case trim
- 70 Double dummy with case trim
- 72 Deadbolt trim
- 74 Deadbolt with fixed double dummy trim
- 76 Fixed outside x turn trim
- 78 Institution deadbolt trim
- 80 Prison lock trim
- 82 Hotel with indicator trim
- 84 Passage and electrically locked/unlocked, two-point latch trim
- 86 Outside lever only, two-point latch trim
- 88 Cylinder x turn, two-point latch trim
- 90 Outside cylinder and electrically locked/unlocked outside cylinder, two-point latch trim
- 92 Double cylinder and electrically locked/unlocked outside cylinder, two-point latch trim

L400 Series deadbolt trim

L460, L462, L463, L464, L480, L496



Notes: Standard full face mortise cylinder shown.
Available with 180° messaging indicator trim.

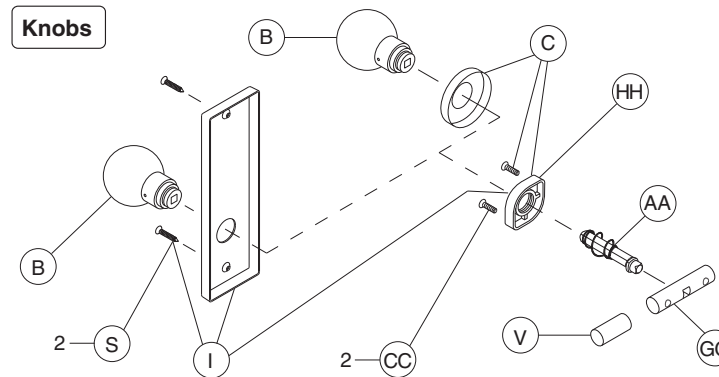
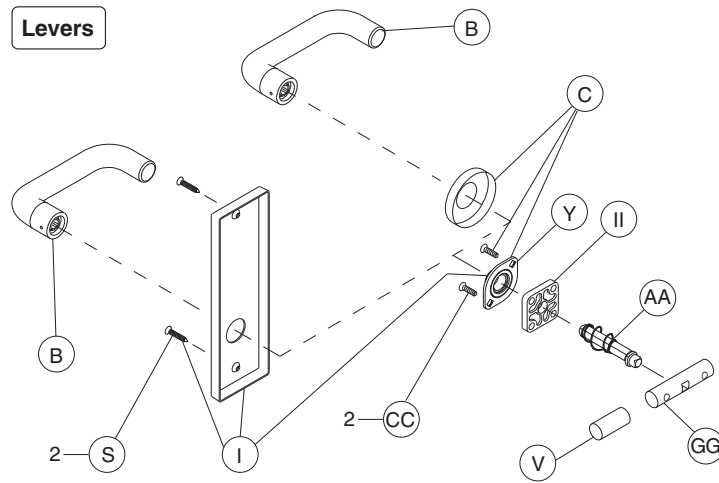
Trim assemblies

	P/N	Description	L460	L462	L463	L464	L480	L496
F	09-544	Inside thumbturn	•					•
H	09-611	Occupancy indicator						•
K	09-717	L400 Series 1¼" armor front x Schlage logo, deadbolt	•	•	•	•	•	•
L	09-905	Classroom turn and 1½" blocking ring			•			
M	30-001	Full face cylinder with compression ring and spring, clover leaf cam	•	2	•	•		•
O	30-021	Full face cylinder with compression spring, clover leaf cam	•	2	•	•		•
P	36-082	Blocking ring		2	•			
Q	36-083	Compression ring and spring	•	2	•	•		•
R	C203-736	Case mounting screw pack	•	•	•	•	•	•
T	K110-020	Armor screw pack	•	•	•	•	•	•
BB	L283-099	Assembled lock case, L400 deadbolt	•	•	•	•	•	•
DD	L583-195	Compression spring	•	2	•	•		•

Trim assemblies

L9000 Series single dummy trim

L0170



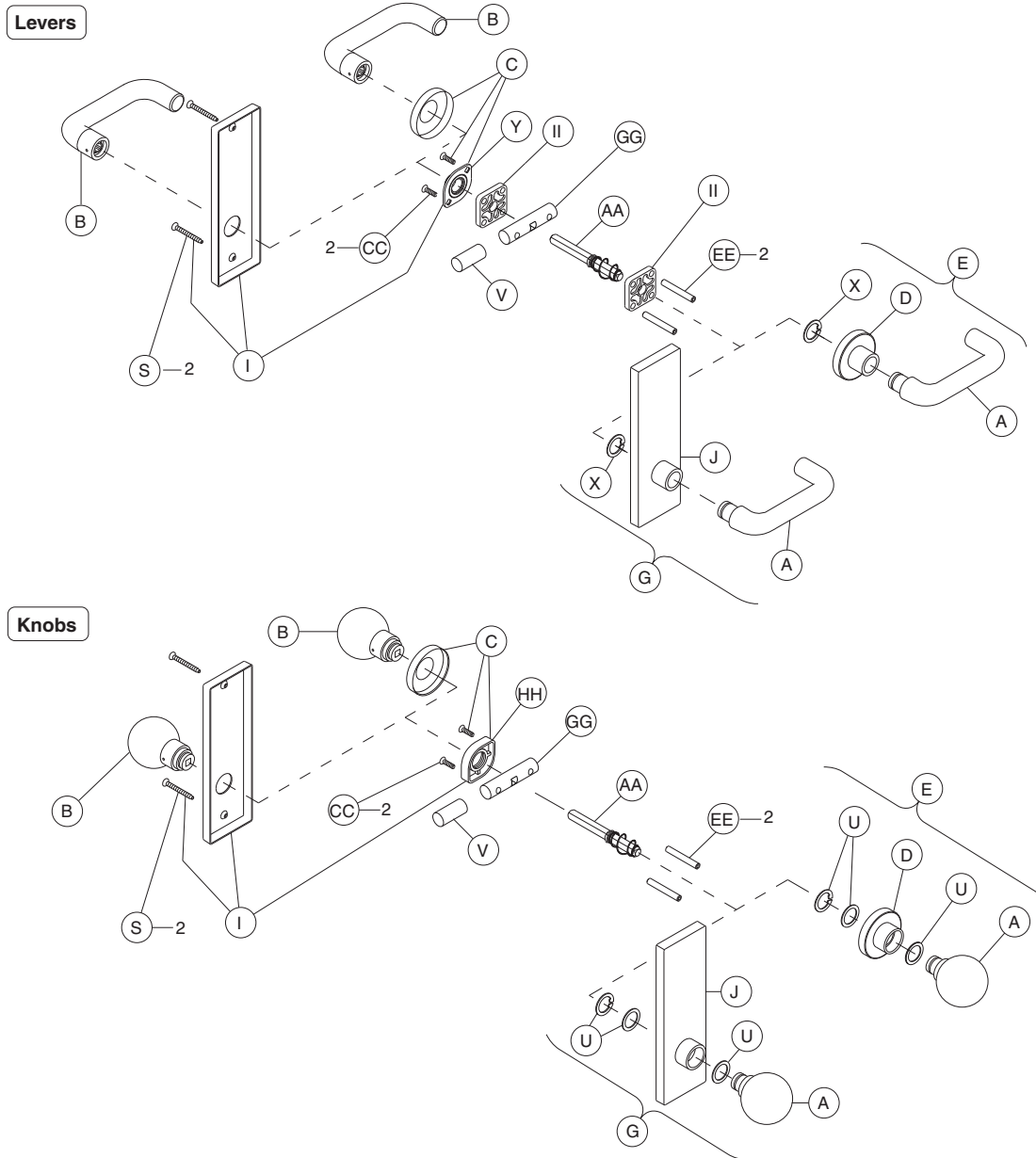
	P/N	Description
B	09-402	Inside knob and lever
C	09-403	Inside rose
I	09-632	Inside escutcheon for knob/lever, N x blank
S	L583-133	N escutcheon thru-bolts/screws (quantity – 2)
V	K510-320	Dummy mounting plug
Y	L283-031	Inside lever mounting plate
AA	L283-065	Spindle and spring, single dummy

	P/N	Description
		Mounting plate screws (quantity – 2)
CC	L583-290	Wood/metal door x rose/escutcheon x lever
	L583-291	Wood/metal door x rose/escutcheon x knob
GG	L583-286	Dummy mounting bar
HH	L583-321	Inside knob mounting plate
II	L583-322	Outside lever spacer

Notes: Reinforcement required for metal door applications. See template at www.allegion.com/us.
L0170 not available with L escutcheon.

L9000 Series double dummy trim

L0172



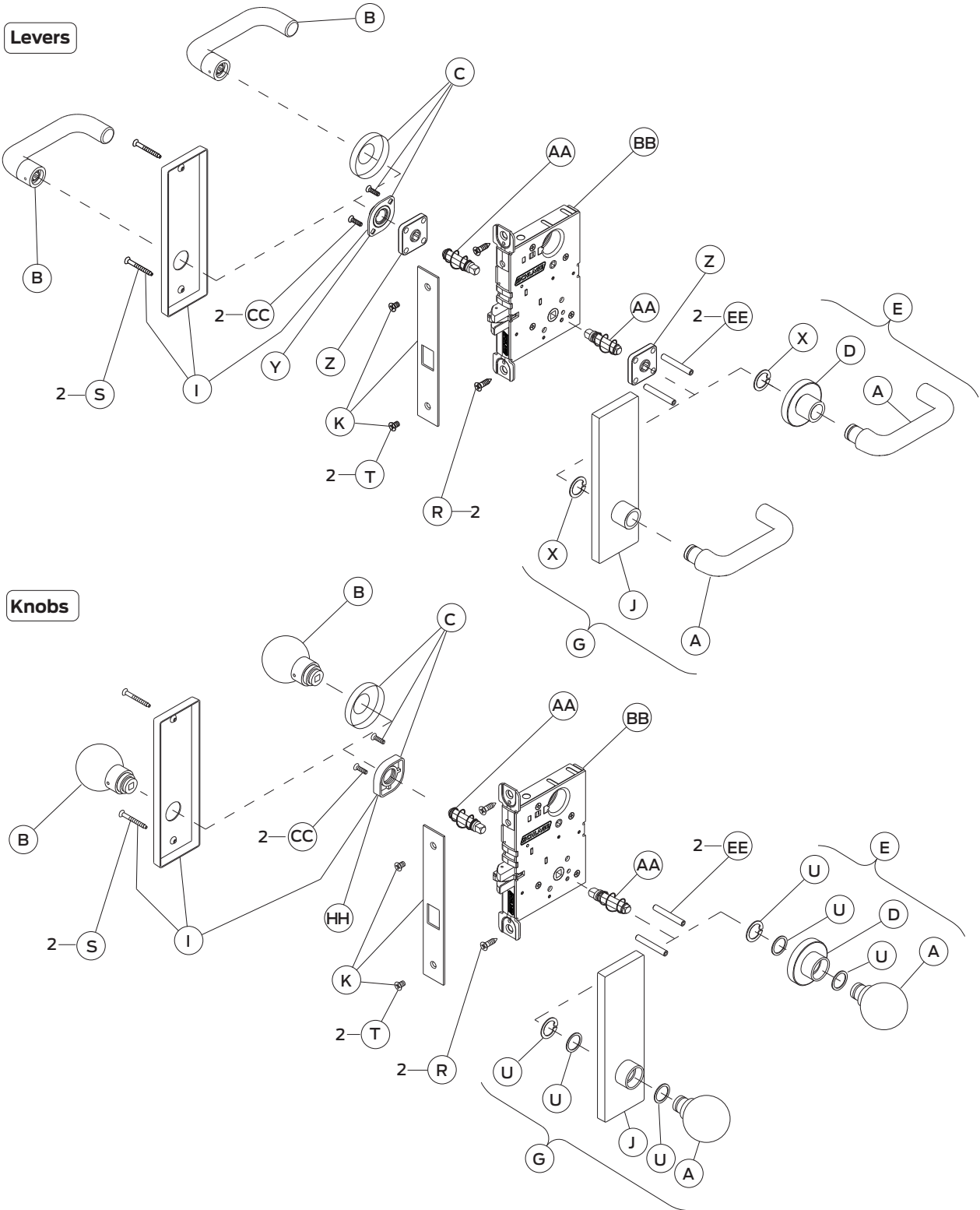
P/N	Description
A	09-401 Outside knob and lever
B	09-402 Inside knob and lever
C	09-403 Inside rose
D	09-404 Outside rose and bushing
E	09-506 O/S rose & knob/lever, all designs except AST, AVA, MER 09-655 Outside rose and knob/lever, AST, AVA, MER designs
G	09-550 Outside escutcheon x knob/lever (except 93 lever), L and N x blank
I	09-632 Inside escutcheon for knob/lever, L and N x blank
J	09-636 O/S escutcheon & bushing x knob/lever (except 93 lever), L and N x blank 09-650 Outside N escutcheon and bushing x 93 lever, blank

P/N	Description
S	L583-120 Escutcheon thru-bolts/screws (qty - 2), L escutcheon K510-389 Escutcheon thru-bolts/screws (qty - 2), N escutcheon
U	K110-550 Knob truarc rings and spacer pack
V	K510-320 Dummy mounting plug
X	L283-030 Lever truarc rings
Y	L283-031 Inside lever mounting plate
AA	L283-064 Spindle and spring, double dummy
CC	L583-066 Mounting plate screws (qty - 2), wood/metal door x rose/escutcheon x knob/lever, except single dummy
EE	L583-212 Mounting posts, L (qty - 2)
GG	L583-286 Dummy mounting bar
HH	L583-321 Inside knob mounting plate
II	L583-322 Outside lever spacers (qty - 2)

Note: Reinforcement required for metal door applications. See template at www.allegion.com/us.

Passage latch trim

L9010, LM9310



Note: LM9310 lock function is three point lock with latch and auxiliary latch. Lock case and armor front for L9010 shown.

Trim assemblies

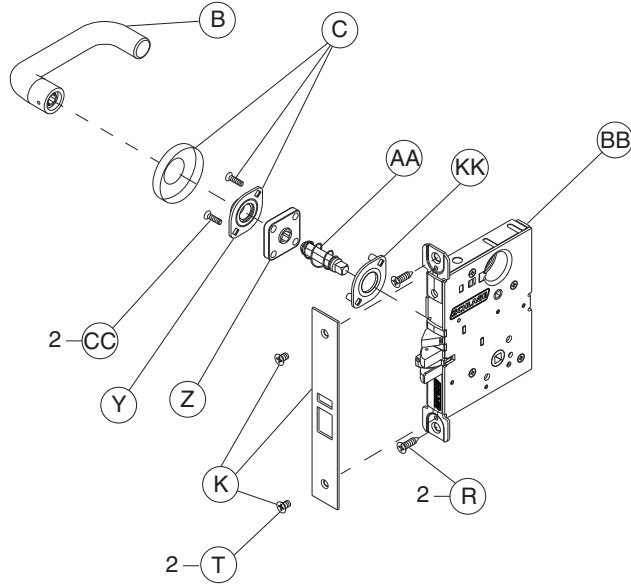
	P/N	Description	L9010	LM9310
A	09-401	Outside knob and lever	•	•
B	09-402	Inside knob and lever	•	•
C	09-403	Inside rose	•	•
D	09-404	Outside rose and bushing	•	•
E	Outside rose and knob/lever:			
	09-506	All designs except AST, AVA, MER	•	•
	09-655	AST, AVA, MER	•	•
G	09-550	Outside escutcheon x knob/lever (except 93 lever) L and N x blank	•	•
I	09-632	Inside escutcheon for knob/lever, L and N x blank	•	•
J	09-636	Outside escutcheon and bushing by knob/lever except 93 lever, L and N x blank	•	•
	09-650	Outside N escutcheon and bushing x 93 lever x blank	•	•
K	09-662	1¼" armor front x Schlage logo, latch	•	•
R	C203-736	Case mounting screw pack	•	•
S	Escutcheon thru-bolts/screws:			
	K510-389	N escutcheon	2	2
	L583-120	L escutcheon	2	2
T	K110-020	Armor screw pack	•	•
U	K110-550	Knob truarc rings and spacer pack	•	•
X	L283-030	Lever truarc rings	•	•
Y	L283-031	Inside lever mounting plate	•	•
Z	L283-040	Lever spring cage	2	2
AA	L283-060	Spindle and spring	2	2
BB	Assembled lock case:			
	L283-131	Passage	•	•
	L283-314	Passage/exit x multipoint	•	•
CC	L583-066	Mounting trim screws, wood/metal door x rose/escutcheon x knob/lever except single dummy	2	2
EE	L583-212	Mounting post	2	2
HH	L583-321	Inside knob mounting plate	•	•

Trim assemblies

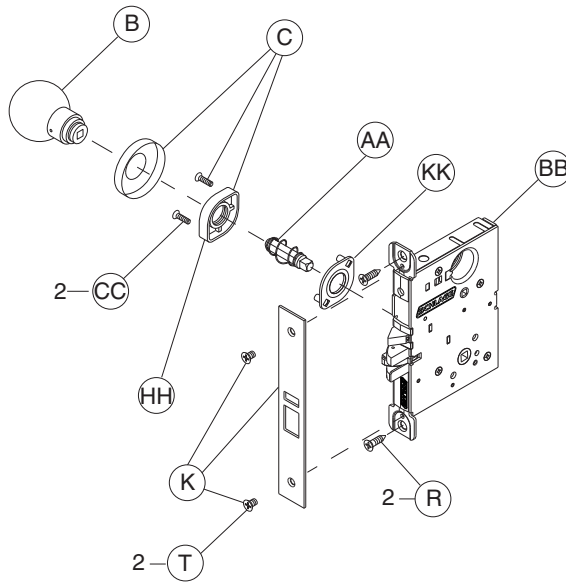
Exit trim

L9025

Levers



Knobs



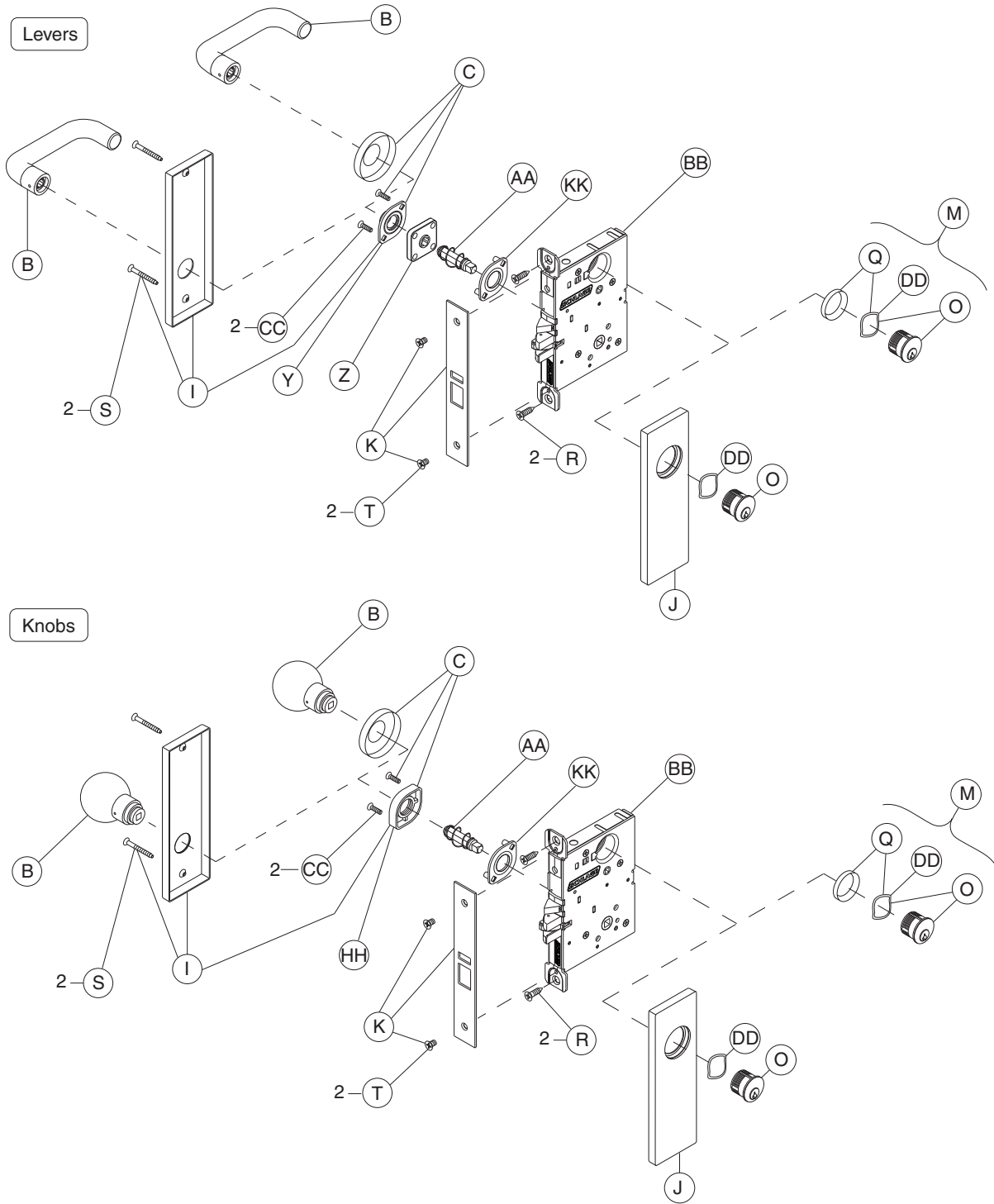
Trim assemblies

	P/N	Description
B	09-402	Inside knob and lever
C	09-403	Inside rose
K	09-663	1¼" armor front x Schlage logo, latch and auxiliary latch
R	C203-736	Case mounting screw pack
T	K110-020	Armor screw pack
Y	L283-031	Inside lever mounting plate
Z	L283-040	Lever spring cage
AA	L283-060	Spindle and spring
BB	L283-750	Assembled lock case, exit
CC	L583-066	Mounting trim screws, wood/metal door x rose x knob/lever except single dummy
HH	L583-321	Inside knob mounting plate
KK	L283-151*	Mounting plate

* L283-151 part number for reference only. To order mounting plate, order by part number L283-150.

Exit trim with cylinder

L9026



Trim assemblies

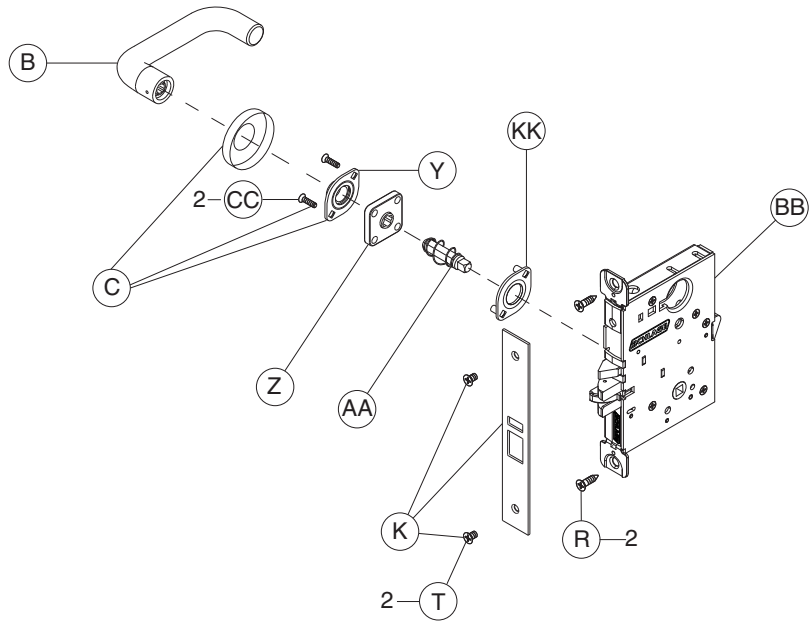
	P/N	Description
B	09-402	Inside knob and lever
C	09-403	Inside rose
I	09-632	Inside escutcheon L and N x blank
J	09-614	Outside escutcheon and bushing L x cylinder
K	09-662	1¼" armor front x Schlage logo, latch and auxiliary latch
M	30-001	Full face cylinder with compression ring and spring – clover leaf cam
O	30-021	Full face cylinder with compression spring – clover leaf cam
Q	36-083	Compression ring and spring
R	C203-736	Case mounting screw pack
S	L583-120	Escutcheon thru-bolts/screws (qty – 2), L escutcheon
	L583-133	Escutcheon thru-bolts/screws (qty – 2), N escutcheon
T	K110-020	Armor screw pack
Y	L283-031	Inside lever mounting plate
Z	L283-040	Lever spring cage
AA	L283-060	Spindle and spring
BB	L283-134	Assembled lock case, exit with cylinder
CC	L583-066	Mounting trim screws, wood/metal door x rose/escutcheon x knob/lever except single dummy
DD	L583-195	Compression spring
HH	L583-321	Inside knob mounting plate
KK	L283-151*	Mounting plate

* L283-151 part number for reference only. To order mounting plate, order by part number L283-150.

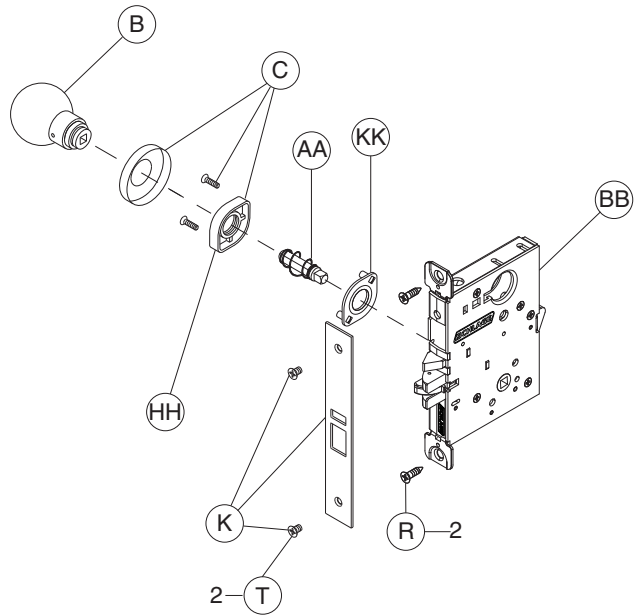
Exit trim with three-point latch

LM9325

Levers



Knobs



Trim assemblies

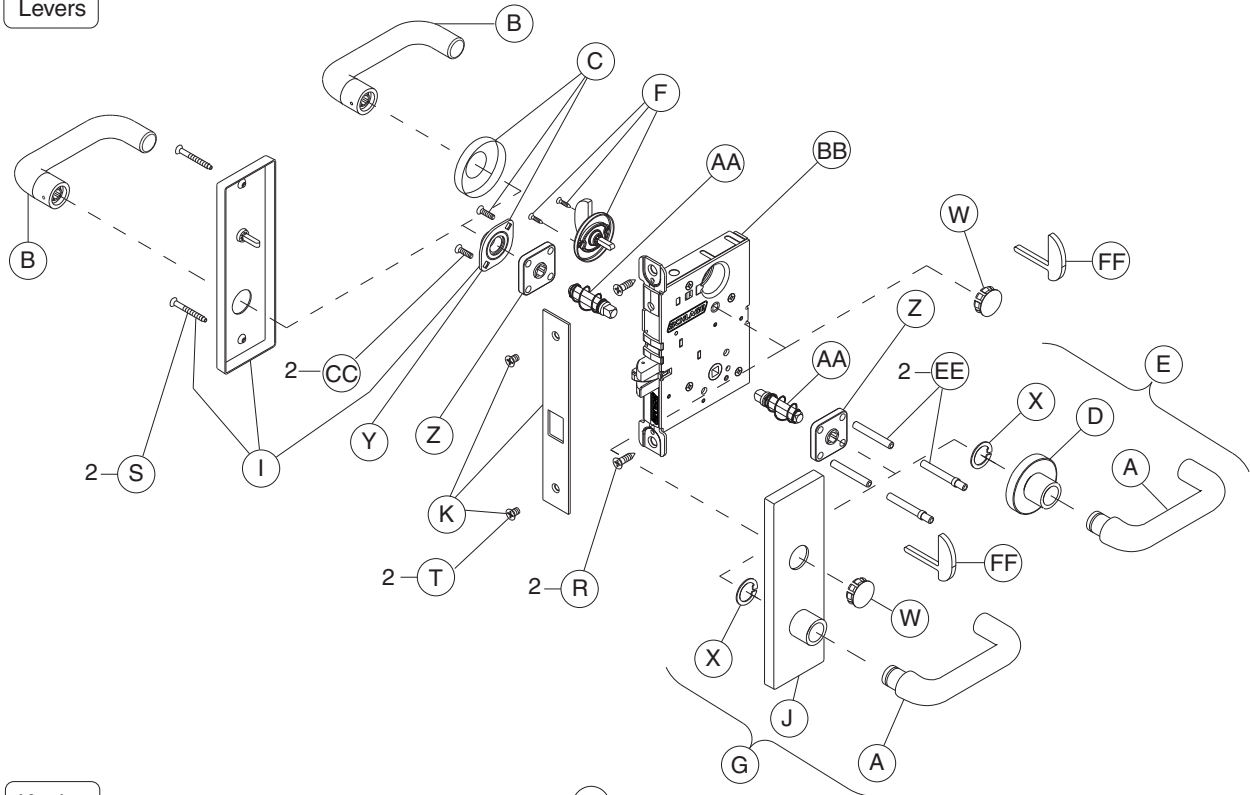
	P/N	Description
B	09-402	Inside knob and lever
C	09-403	Inside rose
K	09-663	1¼" armor front x Schlage logo –latch and auxiliary latch
R	C203-736	Case mounting screw pack
T	K110-020	Armor screw pack
Y	L283-031	Inside lever mounting plate
Z	L283-040	Lever spring cage
AA	L283-060	Spindle and spring
BB	L283-314	Assembled lock case, passage/exit x multipoint
CC	L583-066	Mounting trim screws, wood/metal door x rose/escutcheon x knob/lever (except single dummy) (qty 2)
HH	L583-321	Inside knob mounting plate
KK	L283-151*	Mounting plate

* L283-151 part number for reference only. To order mounting plate, order by part number L283-150.

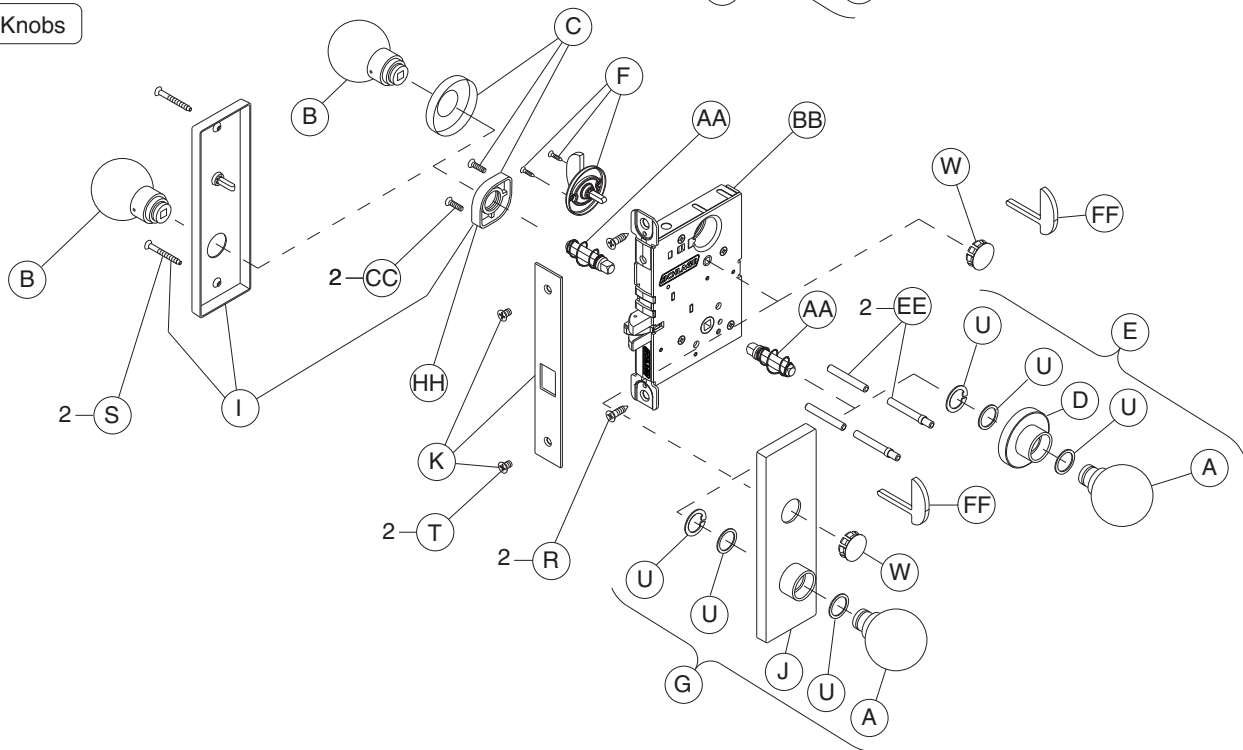
Emergency button x turn trim

L9040, LV9040, L9440, LV9440

Levers



Knobs



Notes: L9440 and LV9440 lock functions have latch and deadbolt. Lock case and armor front shown with latch only. Available with 180° messaging indicator trim.

Trim assemblies

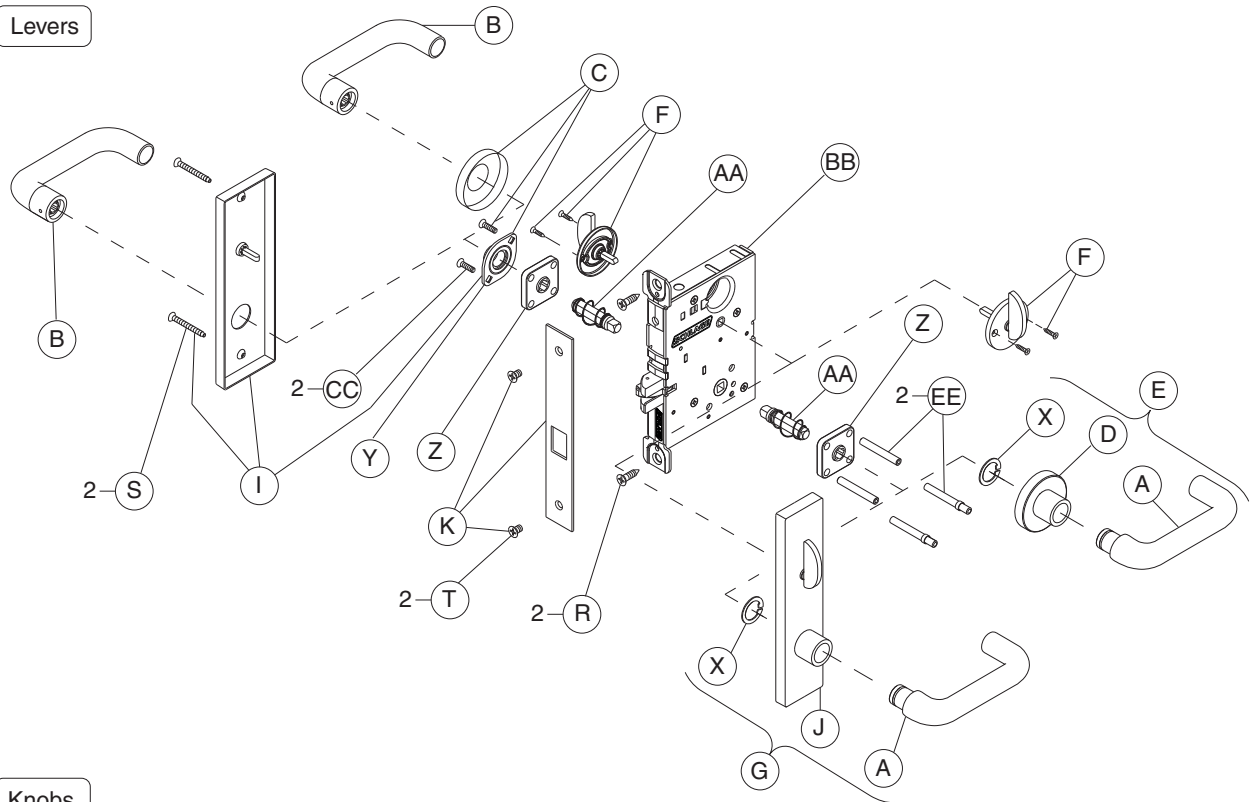
	P/N	Description	L9040	LV9040	L9440	LV9440
A	09-401	Outside lever
B	09-402	Inside lever
C	09-403	Inside rose
D	09-404	Outside rose and bushing
E	Outside rose lever:					
	09-506	All designs except AST, AVA, MER
	09-655	AST, AVA, MER
F	09-544	Thumbturn
G	09-551	Outside escutcheon x lever (except 93 lever), L and N x emergency button
I	09-548	Inside escutcheon for lever, L x thumbturn
	09-642	Inside escutcheon for lever, N x thumbturn
J	09-637	Outside escutcheon and bushing x lever (except 93 lever), L and N x emergency button
	09-651	Outside N escutcheon and bushing x 93 lever x emergency button
K	1¼" armor front x Schlage logo					
	09-662	Latch	.	.		
	09-664	Latch and deadbolt			.	.
R	C203-736	Case mounting screw pack
S	Escutcheon thru-bolts/screws:					
	K510-389	N escutcheon	2	2	2	2
	L583-120	L escutcheon	2	2	2	2
T	K110-020	Armor screw pack
U	K110-550					
W	K510-330	Emergency button
X	L283-030	Lever truarc rings
Y	L283-031	Inside lever mounting plate
Z	L283-040	Lever spring cage	2	2	2	2
AA	L283-060	Spindle and spring	2	2	2	2
BB	Assembled lock case:					
	L283-132	Privacy, L	.			
	L283-171	Privacy, LV		.		
	L283-062	Privacy with deadbolt, L			.	
	L283-181	Privacy with deadbolt, LV				.
CC	L583-066	Mounting trim screws, wood/metal door x rose/escutcheon x lever except single dummy	2	2	2	2
EE	L583-212	Mounting posts, L	2		2	
	L583-497	Mounting posts, LV		2		2
FF	L583-691	Emergency turn
HH	L583-321	Inside knob mounting plate	.		.	

Note: Emergency turn L583-691 available only in 458 finish.

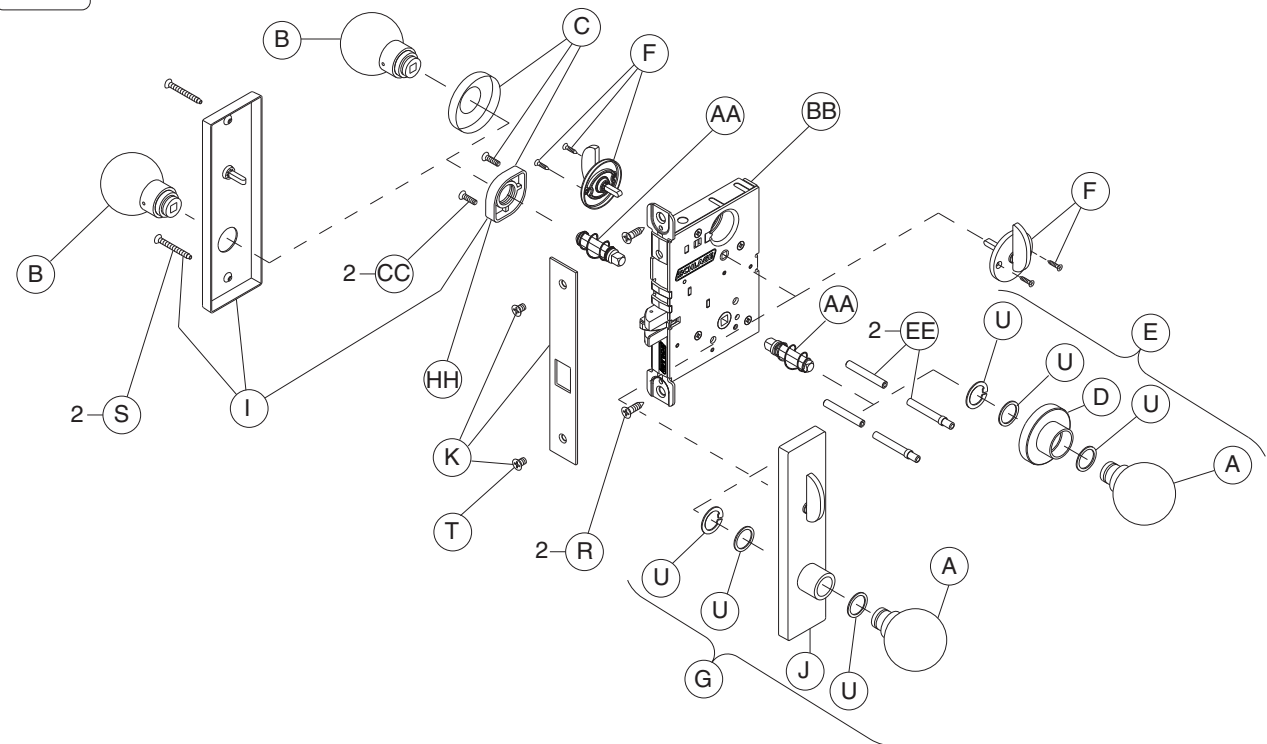
Privacy x turns both sides trim

L9040 x XL11-446, LV9040 x XL11-446

Levers



Knobs



Notes: Available with 180° messaging indicator trim.
Not available with N escutcheon.

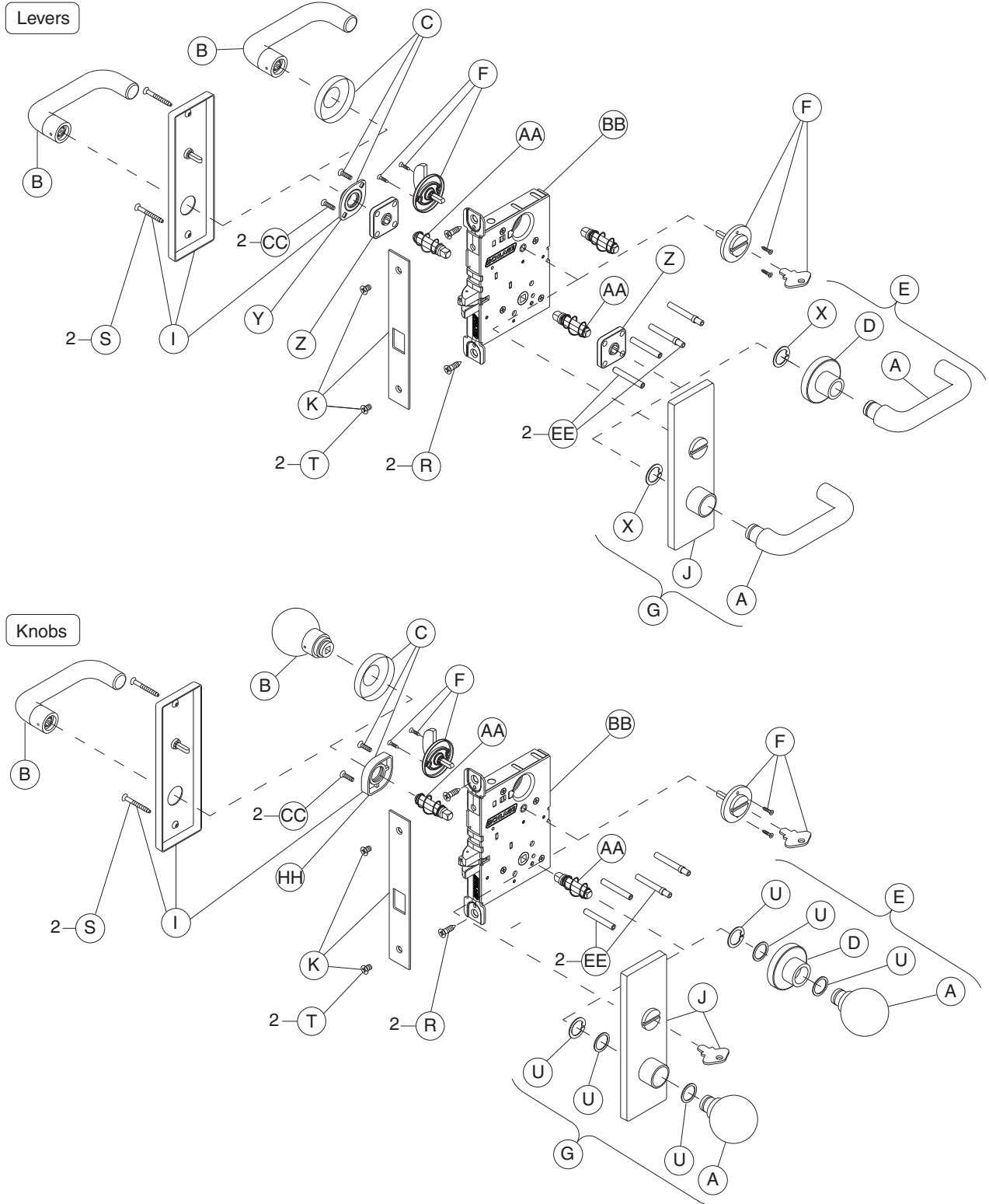
Trim assemblies

	P/N	Description	L9040 x XL11-446	LV9040 x XL11-446
A	09-401	Outside lever	•	•
B	09-402	Inside lever	•	•
C	09-403	Inside rose	•	•
D	09-404	Outside rose and bushing	•	•
Outside rose and lever:				
E	09-506	All designs except AST, AVA, MER	•	•
	09-655	AST, AVA, MER	•	•
F	09-544	Thumbturn (qty 2)	•	•
G	09-550/XL11-446	Outside escutcheon x lever (except 93 lever), L x thumbturn ‡	•	•
I	09-548	Inside escutcheon for lever, L x thumbturn	•	•
J	09-639/XL11-446	Outside escutcheon and bushing x lever (except 93 lever), L x thumbturn ‡	•	•
K	09-662	1¼" armor front x Schlage logo, latch	•	•
R	C203-736	Case mounting screw pack	•	•
S	L583-120	Escutcheon thru-bolts/screws, L escutcheon	2	2
T	K110-020	Armor screw pack	•	•
U	K110-550	Knob truarc rings and spacer pack	•	•
X	L283-030	Lever truarc rings	•	•
Y	L283-031	Inside lever mounting plate	•	•
Z	L283-040	Lever spring cage	2	2
AA	L283-060	Spindle and spring	2	2
Assembled lock case:				
BB	L283-132	Privacy, L	•	•
	L283-171	Privacy, LV	•	•
CC	L583-066	Mounting trim screws, wood/metal door x rose/escutcheon x lever except single dummy	2	2
EE	L583-212	Mounting posts, L	2	•
	L583-497	Mounting posts, LV	•	2
HH	L583-321	Inside knob mounting plate	•	•

‡ Not sold separately as a part.

Coin turn outside x turn trim

L9044, LV9044, L9444, LV9444



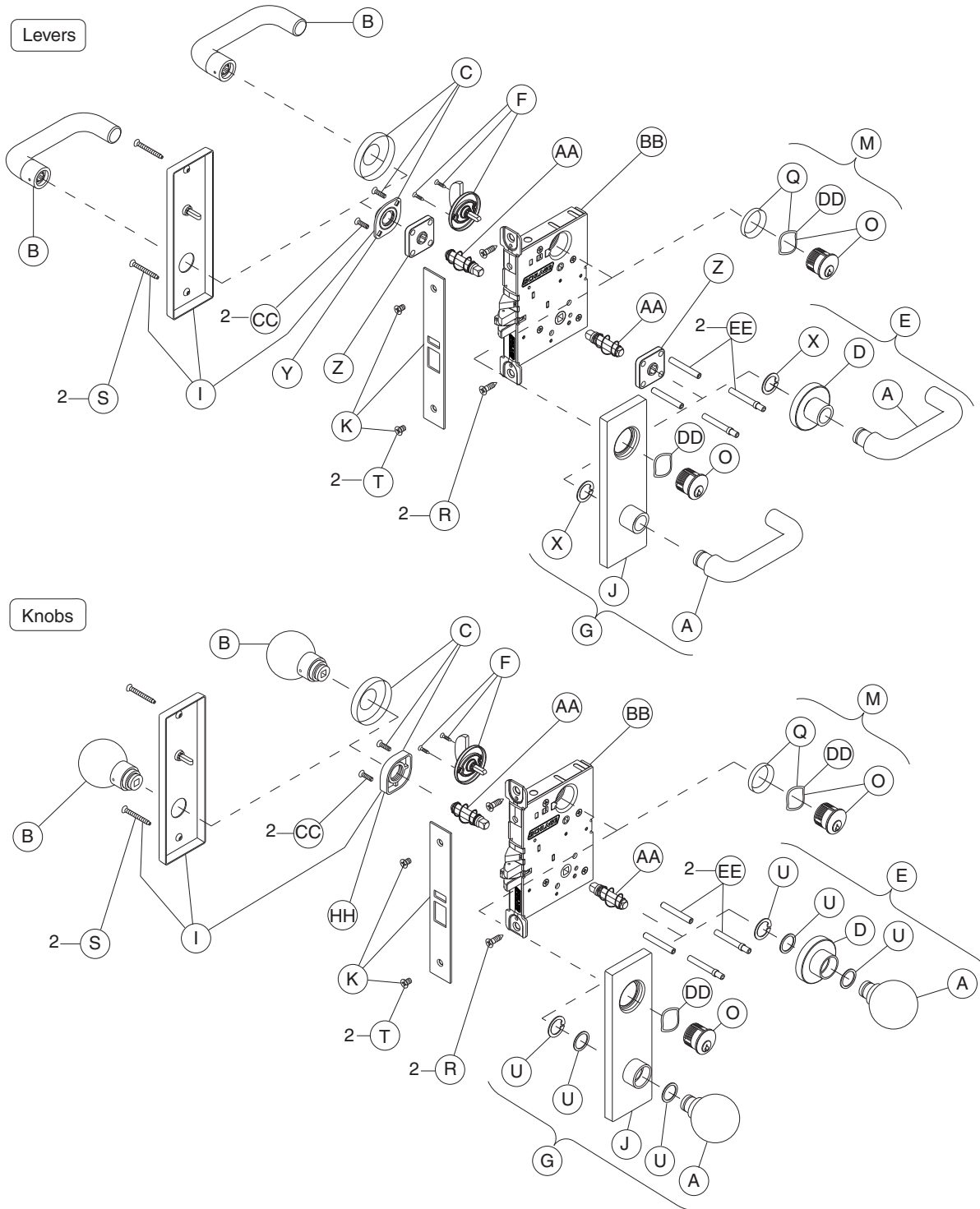
Notes: L9444 and LV9444 lock functions have latch and deadbolt. Lock case and armor front shown with latch only. Available with 180° messaging indicator trim.

Trim assemblies

	P/N	Description	L9044	LV9044	L9444	LV9444
A	09-401	Outside lever
B	09-402	Inside lever
C	09-403	Inside rose
D	09-404	Outside rose and bushing
E	Outside rose and knob/lever:					
	09-506	All designs except AST, AVA, MER
	09-655	AST, AVA, MER
F	09-544	Inside thumbturn
	L283-124	Coin turn outside
G	09-553	Outside escutcheon x knob/lever (except 93 lever), N x coin turn
I	09-633	Inside escutcheon for knob/lever, N x thumbturn
J	09-637	Outside escutcheon and bushing x knob/lever (except 93 lever), N x coin turn
K	1¼" armor front x Schlage logo					
	09-662	Latch
	09-664	Latch and deadbolt
R	C203-736	Case mounting screw pack
S	Escutcheon thru-bolts/screws:					
	K510-389	N escutcheon	2	2	2	2
	L583-120	L escutcheon	2	2	2	2
T	K110-020	Armor screw pack
U	K110-550	Knob truarc rings and spacer pack
X	L283-030	Lever truarc rings
Y	L283-031	Inside lever mounting plate
Z	L283-040	Lever spring cage	2	2	2	2
AA	L283-060	Spindle and spring	2	2	2	2
BB	Assembled lock case:					
	L283-132	Privacy, L
	L283-171	Privacy, LV
	L283-062	Privacy with deadbolt, L
	L283-181	Privacy with deadbolt, LV
CC	L583-066	Mounting trim screws, wood/metal door x rose/escutcheon x lever (except single dummy)	2	2	2	2
EE	L583-212	Mounting posts, L	2	2	2	2
	L583-497	Mounting posts, LV	2	2	2	2
HH	L583-321	Inside knob mounting plate

Cylinder x turn trim

L9050, LV9050, LM9350, LMV9350, L9056, LV9056, L9453, LV9453, L9456, LV9456, L9473



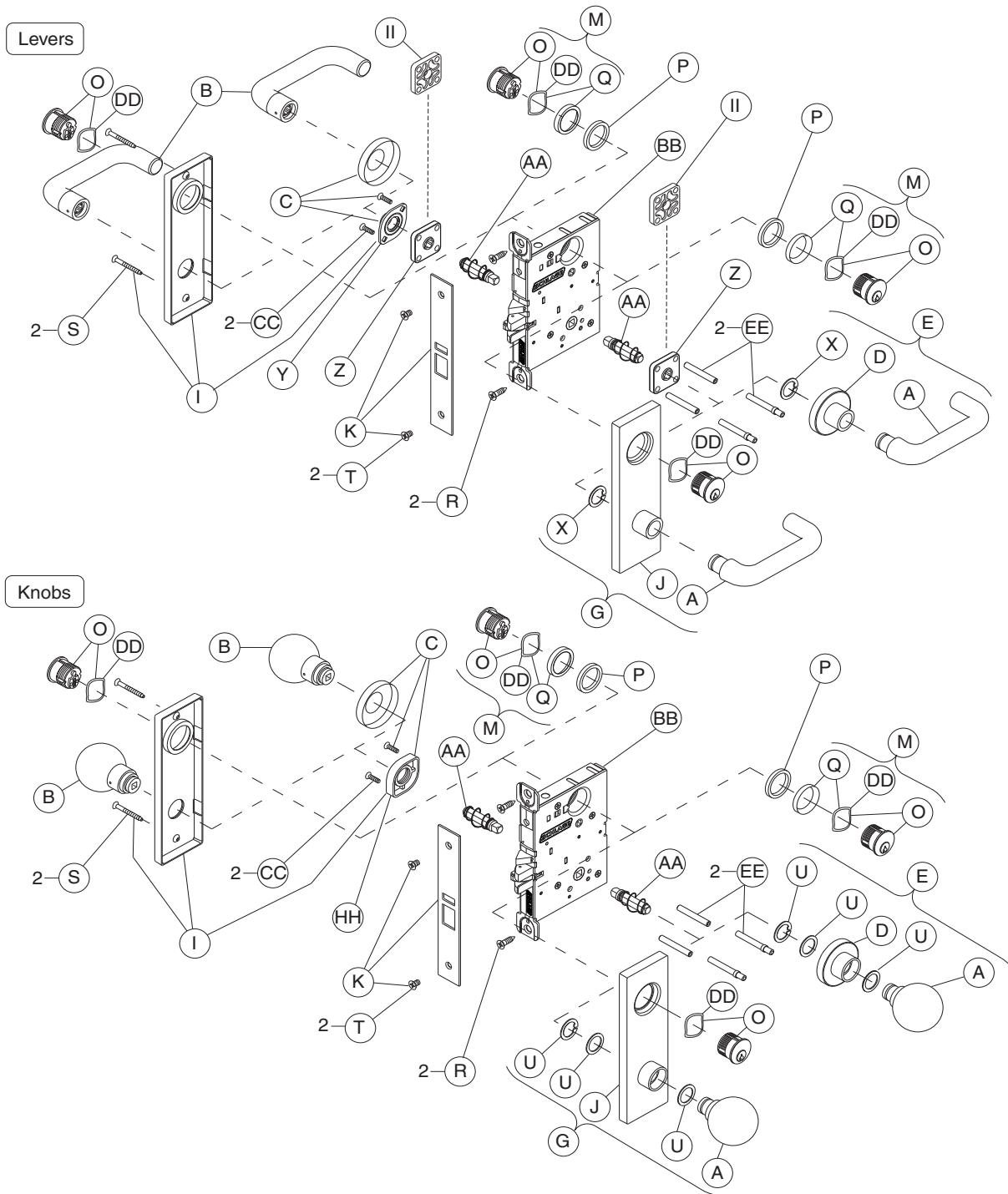
Notes: L9456, LV9456, and L9473 lock functions have a latch and deadbolt. Lock case and armor front shown with latch and auxiliary latch. L/LV9453 lock functions have a latch, auxiliary latch, and deadbolt. Lock case and armor front shown with latch and auxiliary latch only. Standard full face mortise cylinder shown. LM9350 and LMV9350 lock functions are three point lock with latch and auxiliary latch. Lock case and armor front for L/LV functions shown. L/LV9050, LM/LMV9350, L/LV9056, L/LV9456 and L9473 available with 180° indicator trim.

Trim assemblies

	P/N	Description	L9050	LV9050	LM9350	LMV9350	L9056	LV9056	L9453	LV9453	L9456	LV9456	L9473
A	09-401	Outside knob and lever	*	*	*	*	*	*	*	*	*	*	*
B	09-402	Inside knob and lever	*	*	*	*	*	*	*	*	*	*	*
C	09-403	Inside rose	*	*	*	*	*	*	*	*	*	*	*
D	09-404	Outside rose and bushing	*	*	*	*	*	*	*	*	*	*	*
E	Outside rose and knob/lever:												
	09-506	All designs except AST, AVA, MER	*	*	*	*	*	*	*	*	*	*	*
	09-655	AST, AVA, MER	*	*	*	*	*	*	*	*	*	*	*
F	09-544	Thumbturn	*	*	*	*	*	*	*	*	*	*	*
G	09-553	Outside escutcheon x knob/lever (except 93 lever), L and N x full face cylinder	*	*	*	*	*	*	*	*	*	*	*
I	09-548	Inside escutcheon for knob/lever, L x thumbturn	*	*	*	*	*	*	*	*	*	*	*
	09-642	Inside escutcheon for knob/lever, N x thumbturn	*	*	*	*	*	*	*	*	*	*	*
J	09-639	Outside escutcheon and bushing x knob/lever (except 93 lever), L and N x full face cylinder	*	*	*	*	*	*	*	*	*	*	*
	09-652	Outside N escutcheon and bushing x 93 lever, full face cylinder	*	*	*	*	*	*	*	*	*	*	*
K	1¼" armor front x Schlage logo												
	09-663	Latch and auxiliary latch	*	*	*	*	*						
	09-664	Latch and deadbolt									*	*	*
	09-666	Latch, auxiliary latch and deadbolt							*	*			
M	30-001	Full face cylinder with compression ring and spring – clover leaf cam	*	*	*	*	*	*	*	*	*	*	*
O	30-021	Full face cylinder with compression spring – clover leaf cam	*	*	*	*	*	*	*	*	*	*	*
Q	36-083	Compression ring and spring	*	*	*	*	*	*	*	*	*	*	*
R	C203-736	Case mounting screw pack	*	*	*	*	*	*	*	*	*	*	*
S	Escutcheon thru-bolts/screws:												
	K510-389	N escutcheon	2	2	2	2	2	2	2	2	2	2	2
	L583-120	L escutcheon	2	2	2	2	2	2	2	2	2	2	2
T	K110-020	Armor screw pack	*	*	*	*	*	*	*	*	*	*	*
U	K110-550	Knob truarc rings and spacer pack	*	*	*	*	*	*	*	*	*	*	*
X	L283-030	Lever truarc rings	*	*	*	*	*	*	*	*	*	*	*
Y	L283-031	Inside lever mounting plate	*	*	*	*	*	*	*	*	*	*	*
Z	L283-040	Lever spring cage	2	2	2	2	2	2	2	2	2	2	2
AA	L283-060	Spindle and spring	2	2	2	2	2	2	2	2	2	2	2
BB	Assembled lock case:												
	L283-126	Office with simultaneous retraction					*						
	L283-133	Office, classroom, apartment security	*										
	L283-137	Entrance						*					
	L283-138	Corridor, classroom security x deadbolt									*		
	L283-140	Closet, storeroom and dormitory										*	
	L283-170	Office, classroom, apartment security, LV	*										
	L283-176	Entrance, LV								*			
	L283-177	Corridor, classroom security x deadbolt, LV										*	
	L283-180	Office with simultaneous retraction, LV					*						
CC	L583-066	Mounting trim screws, wood/metal door x rose/escutcheon x knob/lever (except single dummy)	2	2	2	2	2	2	2	2	2	2	2
	L583-195	Compression spring	*	*	*	*	*	*	*	*	*	*	*
EE	L583-212	Mounting posts, L	2	2	2	2	2	2	2	2	2	2	2
	L583-497	Mounting posts, LV		2	2	2	2	2	2	2	2	2	2
HH	L583-321	Inside knob mounting plate	*	*	*	*	*	*	*	*	*	*	*

Double cylinder trim

L9060, LV9060, L9071, LV9071, LM9371, LMV9371, L9077, LV9077, L9082, LV9082, L9457, LV9457, L9458, LV9458, L9462 x XL11-886, L9466



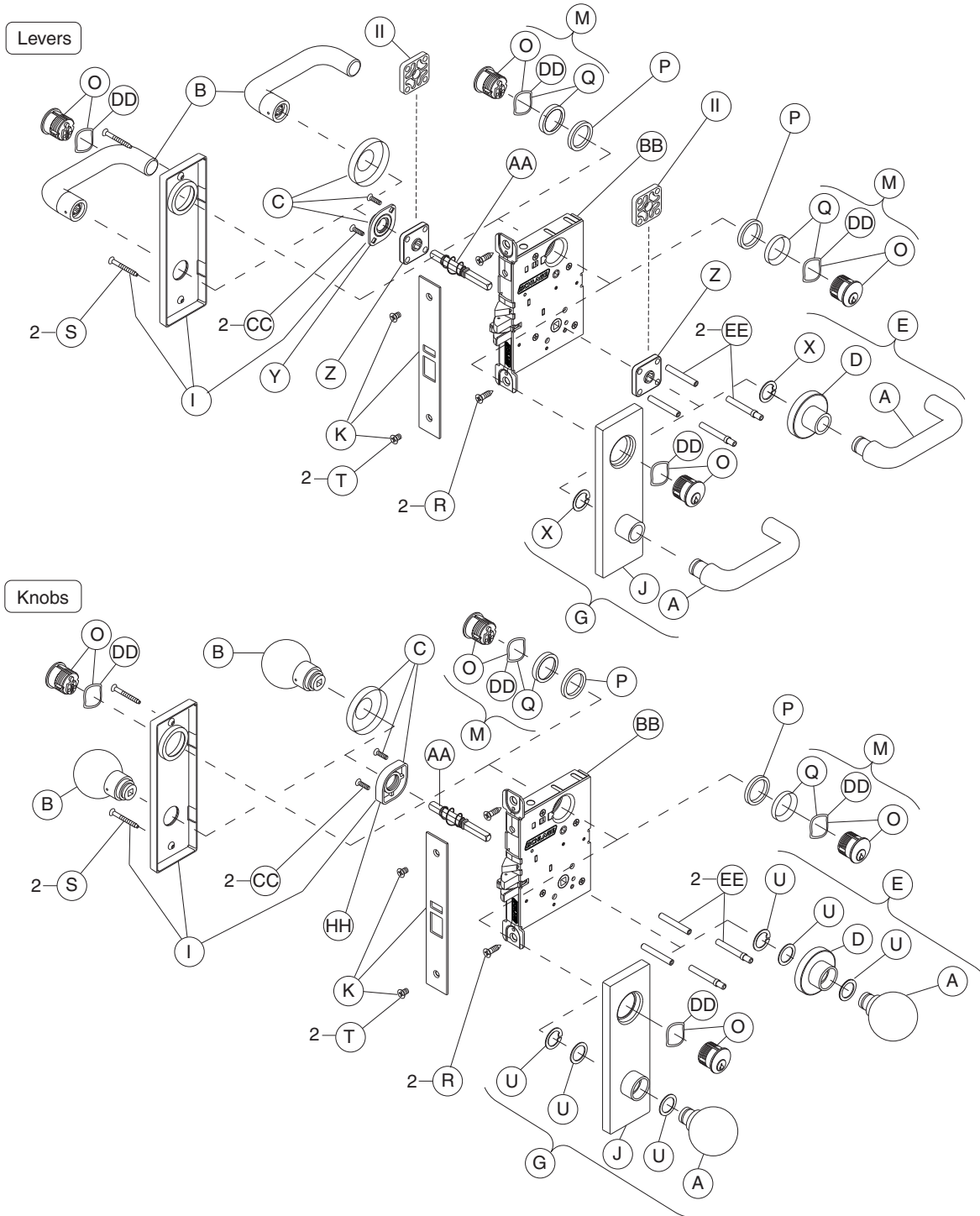
Notes: L9457, LV9457, and L9466 lock functions have a latch and deadbolt. Lock case and armor front shown with latch and auxiliary latch.
 L9458 and LV9458 lock functions have a latch, auxiliary latch and deadbolt. Lock case and armor front shown with latch and auxiliary latch.
 L9462 x XL11-886 lock function has deadbolt only. Lock case and armor front shown with latch and auxiliary latch.
 Standard full face mortise cylinder shown.
 LM9371 and LMV9371 lock functions are three point lock with latch and auxiliary latch. Lock case and armor front for L/LV functions shown.
 L/LV9060, L/LV9071, L/LV9077, LM/LMV9371, L/LV9457, L/LV9458, L9462 x XL11-886 and L9466 available with 180° messaging indicator trim.

Trim assemblies

P/N	Description	L9060	LV9060	L9071	LV9071	LM9371	LMV9371	L9077	LV9077	L9082	LV9082	L9457	LV9457	L9458	LV9458	L9462 x L11-886	L9466	
A	09-401	Outside knob and lever	*	*	*	*	*	*	*	*	*	*	*	*	*	*	*	
B	09-402	Inside knob and lever	*	*	*	*	*	*	*	*	*	*	*	*	*	*	*	
C	09-403	Inside rose	*	*	*	*	*	*	*	*	*	*	*	*	*	*	*	
D	09-404	Outside rose and bushing	*	*	*	*	*	*	*	*	*	*	*	*	*	*	*	
E	Outside rose and knob/lever:																	
	09-506	All designs except AST, AVA, MER	*	*	*	*	*	*	*	*	*	*	*	*	*	*	*	*
	09-655	AST, AVA, MER	*	*	*	*	*	*	*	*	*	*	*	*	*	*	*	
G	09-553	Outside escutcheon x knob/lever (except 93 lever), L and N x full face cylinder	*	*	*	*	*	*	*	*	*	*	*	*	*	*	*	
I	09-635	Inside escutcheon for knob/lever, L and N x full face cylinder	*	*	*	*	*	*	*	*	*	*	*	*	*	*	*	
J	09-639	Outside escutcheon and bushing x knob/lever (except 93 lever), L and N x full face cylinder	*	*	*	*	*	*	*	*	*	*	*	*	*	*	*	
	09-652	Outside escutcheon and bushing x 93 lever, full face cylinder	*	*	*	*	*	*	*	*	*	*	*	*	*	*	*	
K	1¼" armor front x Schlage logo:																	
	09-663	Latch and auxiliary latch	*	*	*	*	*	*	*	*	*	*	*	*	*	*	*	*
	09-664	Latch and deadbolt	*	*	*	*	*	*	*	*	*	*	*	*	*	*	*	*
	09-665	Deadbolt	*	*	*	*	*	*	*	*	*	*	*	*	*	*	*	*
	09-666	Latch, auxiliary latch and deadbolt	*	*	*	*	*	*	*	*	*	*	*	*	*	*	*	*
	09-713	Latch, auxiliary latch less UL stamp	*	*	*	*	*	*	*	*	*	*	*	*	*	*	*	
M	Full face cylinder with compression ring and spring:																	
	20-001	Straight cam	*	*	*	*	*	*	*	*	*	*	*	*	*	*	*	*
	30-001	Clover leaf cam	*	*	2	2	2	2	2	2	2	2	2	2	2	2	2	2
O	Full face cylinder with compression spring:																	
	26-021	Straight cam	*	*	*	*	*	*	*	*	*	*	*	*	*	*	*	*
	30-021	Clover leaf cam	*	*	2	2	2	2	2	2	2	2	2	2	2	2	2	2
P	36-082	Blocking ring	2	2	2	2	2	2	2	2	2	2	2	2	2	2	2	
Q	36-083	Compression ring and spring	2	2	2	2	2	2	2	2	2	2	2	2	2	2	2	
R	C203-736	Case mounting screw pack	*	*	*	*	*	*	*	*	*	2	2	2	2	*	*	
S	Escutcheon thru-bolts/screws:																	
	K510-389	N escutcheon	2	2	2	2	2	2	2	2	2	2	2	2	2	2	2	2
	L583-120	L escutcheon	2	2	2	2	2	2	2	2	2	2	2	2	2	2	2	
T	K110-020	Armor screw pack	*	*	*	*	*	*	*	*	*	*	*	*	*	*	*	
U	K110-550	Knob truarc rings and spacer pack	*	*	*	*	*	*	*	*	*	*	*	*	*	*	*	
X	L283-030	Lever truarc rings	*	*	*	*	*	*	*	*	*	*	*	*	*	*	*	
Y	L283-031	Inside lever mounting plate	*	*	*	*	*	*	*	*	*	*	*	*	*	*	*	
Z	L283-040	Lever spring cage	2	2	2	2	2	2	2	2	2	2	2	2	2	*	2	
AA	L283-060	Spindle and spring	2	2	2	2	2	2	2	2	2	2	2	2	2	2	2	
BB	Assembled lock case:																	
	L283-039	Classroom holdback	*	*	*	*	*	*	*	*	*	*	*	*	*	*	*	*
	L283-133	Office, classroom, apartment security	*	*	*	*	*	*	*	*	*	*	*	*	*	*	*	*
	L283-138	Corridor, classroom security x deadbolt	*	*	*	*	*	*	*	*	*	*	*	*	*	*	*	*
	L283-139	Deadbolt retract x inside knob/lever	*	*	*	*	*	*	*	*	*	*	*	*	*	*	*	*
	L283-140	Closet, storeroom and dormitory	*	*	*	*	*	*	*	*	*	*	*	*	*	*	*	*
	L283-146	Institution	*	*	*	*	*	*	*	*	*	*	*	*	*	*	*	*
	L283-170	Office, classroom, apartment security, LV	*	*	*	*	*	*	*	*	*	*	*	*	*	*	*	*
	L283-172	Classroom holdback, LV	*	*	*	*	*	*	*	*	*	*	*	*	*	*	*	*
	L283-177	Corridor, classroom security x deadbolt, LV	*	*	*	*	*	*	*	*	*	*	*	*	*	*	*	*
	L283-182	Institution, LV	*	*	*	*	*	*	*	*	*	*	*	*	*	*	*	*
	L283-310	Classroom security with auxiliary latch x deadbolt	*	*	*	*	*	*	*	*	*	*	*	*	*	*	*	*
	L283-311	Classroom security with auxiliary latch x deadbolt, LV	*	*	*	*	*	*	*	*	*	*	*	*	*	*	*	*
	L283-316	Office, inner entry x multipoint	*	*	*	*	*	*	*	*	*	*	*	*	*	*	*	*
L283-317	Office, inner entry x multipoint, LV	*	*	*	*	*	*	*	*	*	*	*	*	*	*	*	*	
CC	L583-066	Mounting trim screws, wood/metal door x rose/escutcheon x knob/lever	2	2	2	2	2	2	2	2	2	2	2	2	2	2	2	
DD	L583-195	Compression spring	2	2	2	2	2	2	2	2	2	2	2	2	2	2	2	
EE	L583-212	Mounting posts, L	2	2	2	2	2	2	2	2	2	2	2	2	2	2	2	
	L583-497	Mounting posts, LV	2	2	2	2	2	2	2	2	2	2	2	2	2	2	2	
HH	L583-321	Inside knob mounting plate	*	*	*	*	*	*	*	*	*	*	*	*	*	*	*	
ii	L583-322	Outside lever spacer	*	*	*	*	*	*	*	*	*	*	*	*	*	*	*	

Double cylinder store trim

L9066 x XL11-897



Note: Standard full face mortise cylinders shown.

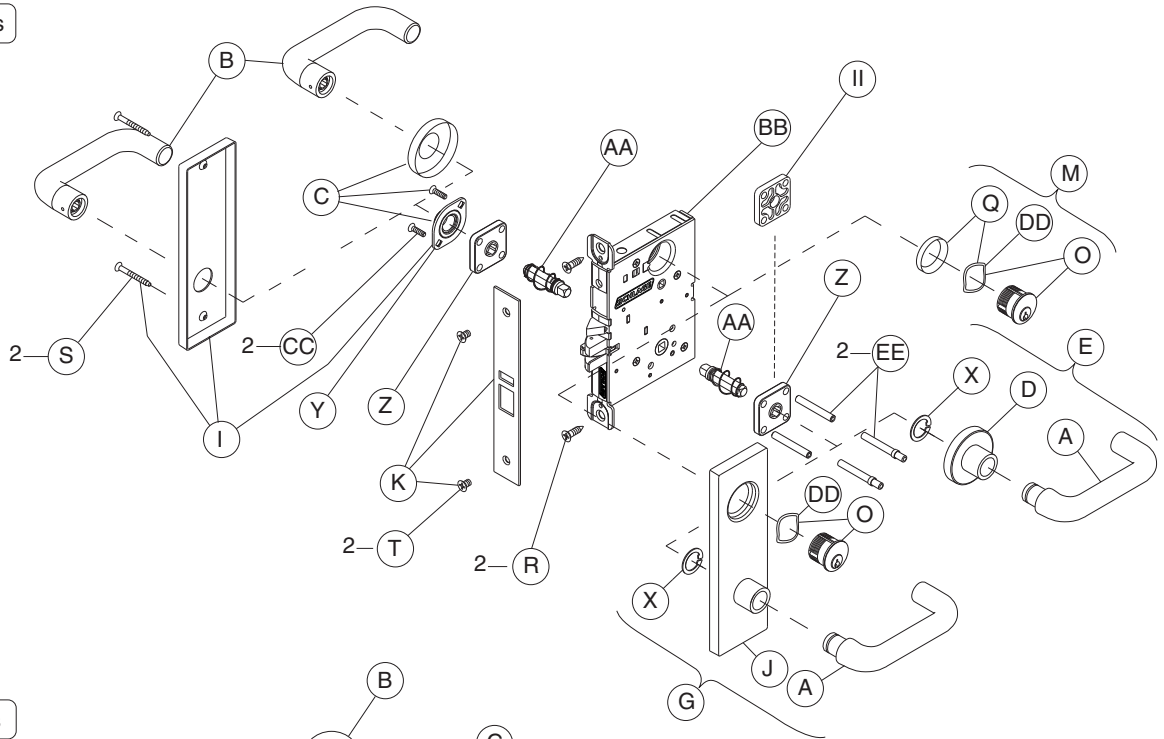
Trim assemblies

	P/N	Description
A	09-401	Outside knob and lever
B	09-402	Inside knob and lever
C	09-403	Inside rose
D	09-404	Outside rose and bushing
E	09-506	Outside rose and knob/lever, all designs except AST, AVA, MER
G	09-553	Outside escutcheon x knob/lever (except 93 lever), L and N x full face cylinder
I	09-635	Inside escutcheon for knob/lever, L and N x full face cylinder
J	09-639	Outside escutcheon and bushing x knob/lever (except 93 lever), L and N x full face cylinder
	09-652	Outside escutcheon and bushing x 93 lever), full face cylinder
K	09-663	1¼" armor front x Schlage logo, latch and auxiliary latch
M	30-001	Full face cylinder with compression ring and spring: clover leaf cam (qty 2)
O	30-021	Full face cylinder with compression spring, clover leaf cam (qty 2)
P	36-082	Blocking ring (qty 2)
Q	36-083	Compression ring and spring (qty 2)
R	C203-736	Case mounting screw pack
S	Escutcheon thru-bolts/screws:	
	K510-389	N escutcheon (qty 2)
	L583-120	L escutcheon (qty 2)
T	K110-020	Armor screw pack
U	K110-550	Knob truarc rings and spacer pack
X	L283-030	Lever truarc rings
Y	L283-031	Inside lever mounting plate
Z	L283-040	Lever spring cage (qty 2)
AA	L283-064	Spindle and spring
BB	L283-133	Assembled lock case: office, classroom, apartment security
CC	L583-066	Mounting trim screws, wood/metal door x rose/escutcheon x knob/lever (qty 2)
DD	L583-195	Compression spring (qty 2)
EE	L583-212	Mounting post (qty 2)
HH	L583-321	Inside knob mounting plate

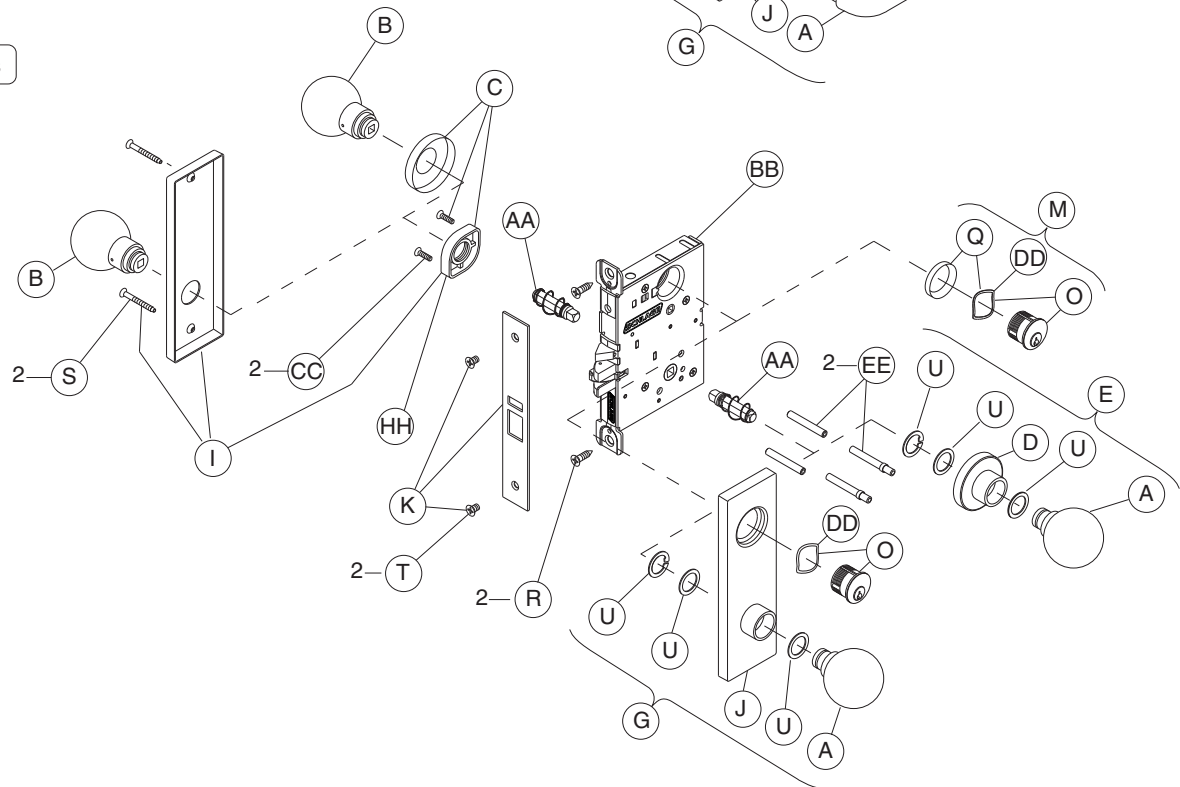
Cylinder outside trim

L9070, LV9070, LM9370, LMV9370, L9076, LV9076, L9080, LV9080, L9081, LV9081, LM9380, LMV9380, L9464 x XL11-886, L9465

Levers



Knobs



Notes: L9465 lock function has a latch and deadbolt. Lock case and armor front shown with latch and auxiliary latch.
 L9464 x XL11-886 lock function has deadbolt only. Lock case and armor front shown with latch and auxiliary latch.
 Standard full face mortise cylinder shown.
 LM/LMV9370 and LM/LMV9380 lock functions are three point lock with latch and auxiliary latch. Lock case and armor front for L/LV functions shown.
 L/LV9070, LM/LMV9370, L9464, L9465 available with 180° indicator trim.

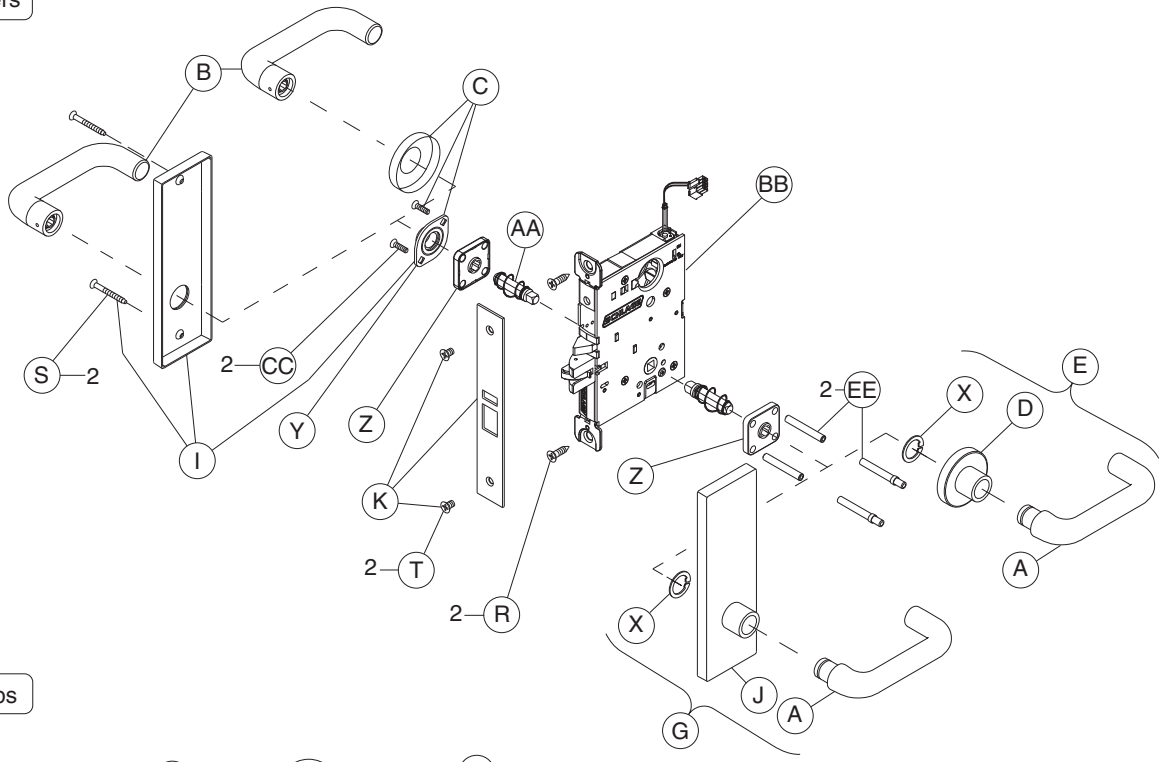
Trim assemblies

	P/N	Description	L9070	LV9070	LM9370	LMV9370	L9076	LV9076	L9080	LV9080	L9081	LV9081	LM9380	LMV9380	L9464 x XL11-886	L9465	
A	09-401	Outside knob and lever	
B	09-402	Inside knob and lever	
C	09-403	Inside rose	
D	09-404	Outside rose and bushing	
E	Outside rose and knob/lever:																
	09-506	All designs except AST, AVA, MER	
	09-655	AST, AVA, MER	
G	09-553	Outside escutcheon x knob/lever (except 93 lever), L and N x full face cylinder	
I	09-632	Inside escutcheon for knob/lever, L and N x blank	
J	09-639	Outside escutcheon and bushing x knob/lever (except 93 lever), L and N x full face cylinder	
	09-652	Outside N escutcheon and bushing x 93 lever, full face cylinder	
K	1¼" armor front x Schlage logo:																
	09-663	Latch and auxiliary latch	
	09-664	Latch and deadbolt														.	
	09-665	Deadbolt														.	
	09-713	Latch, auxiliary latch less UL stamp					.	.									
M	30-000	Full face cylinder with compression ring and spring, clover leaf cam	
	30-001	Full face cylinder with compression ring and spring, clover leaf cam	
O	30-019	Full face cylinder with compression spring, clover leaf cam											.	.			
	30-021	Full face cylinder with compression spring, clover leaf cam	
Q	36-083	Compression ring and spring	
R	C203-736	Case mounting screw pack	
S	Escutcheon thru-bolts/screws:																
	K510-389	N escutcheon	2	2	2	2	2	2	2	2	2	2	2	2	2	2	
	L583-120	L escutcheon	2	2	2	2	2	2	2	2	2	2	2	2	2	2	
T	K110-020	Armor screw pack	
U	K110-550	Knob truarc rings and spacer pack	
X	L283-030	Lever truarc rings	
Y	L283-031	Inside lever mounting plate	
Z	L283-040	Lever spring cage	2	2	2	2	2	2	2	2	2	2	2	2	2	2	
AA	L283-060	Spindle and spring	2	2	2	2	2	2	2	2	2	2	2	2	2	2	
BB	Assembled lock case:																
	L283-039	Classroom holdback					.										
	L283-133	Office, classroom, apartment security	.														
	L283-134	Storeroom						.									
	L283-139	Deadbolt retract x inside knob/lever													.		
	L283-140	Closet, storeroom and dormitory														.	
	L283-142	Electrically locked															
	L283-143	Electrically unlocked															
	L283-170	Office, classroom, apartment security, LV		.													
	L283-172	Classroom holdback, LV						.									
	L283-173	Storeroom, LV							.								
	L283-174	Electrically locked, LV															
	L283-175	Electrically unlocked, LV															
	L283-316	Office, inner entry x multipoint				.							.				
L283-317	Office, inner entry x multipoint, LV				.							.		.			
	47333536	Storeroom key-retaining								.							
	47333538	Storeroom key-retaining, LV								.							
CC	L583-066	Mounting trim screws, wood/metal door x rose/escutcheon x knob/lever	2	2	2	2	2	2	2	2	2	2	2	2	2	2	
DD	L583-195	Compression spring	
EE	L583-212	Mounting posts, L	2	2	2	2	2	2	2	2	2	2	2	2	2	2	
	L583-497	Mounting posts, LV		2	2	2	2	2	2	2	2	2	2	2	2	2	
HH	L583-321	Inside knob mounting plate	
II	L583-322	Outside lever spacer						.						.			

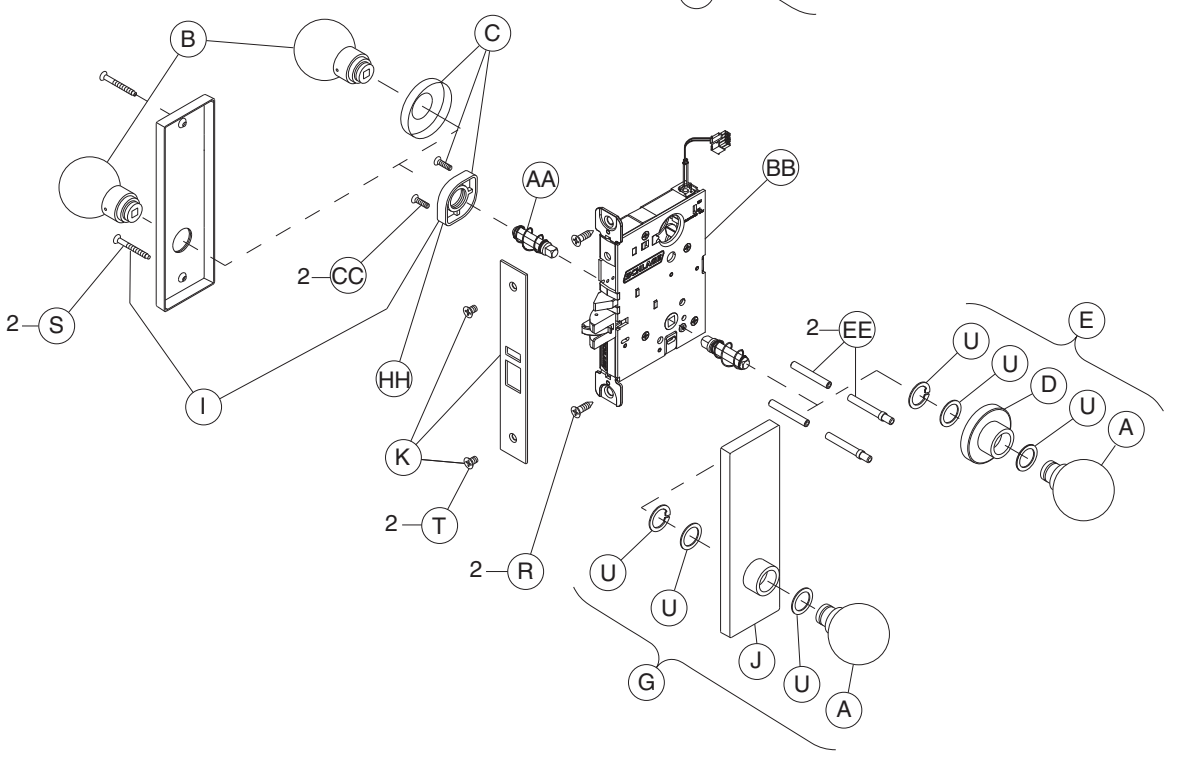
Electrically locked/unlocked outside trim

L9090EL/EU, LV9090EL/EU

Levers



Knobs



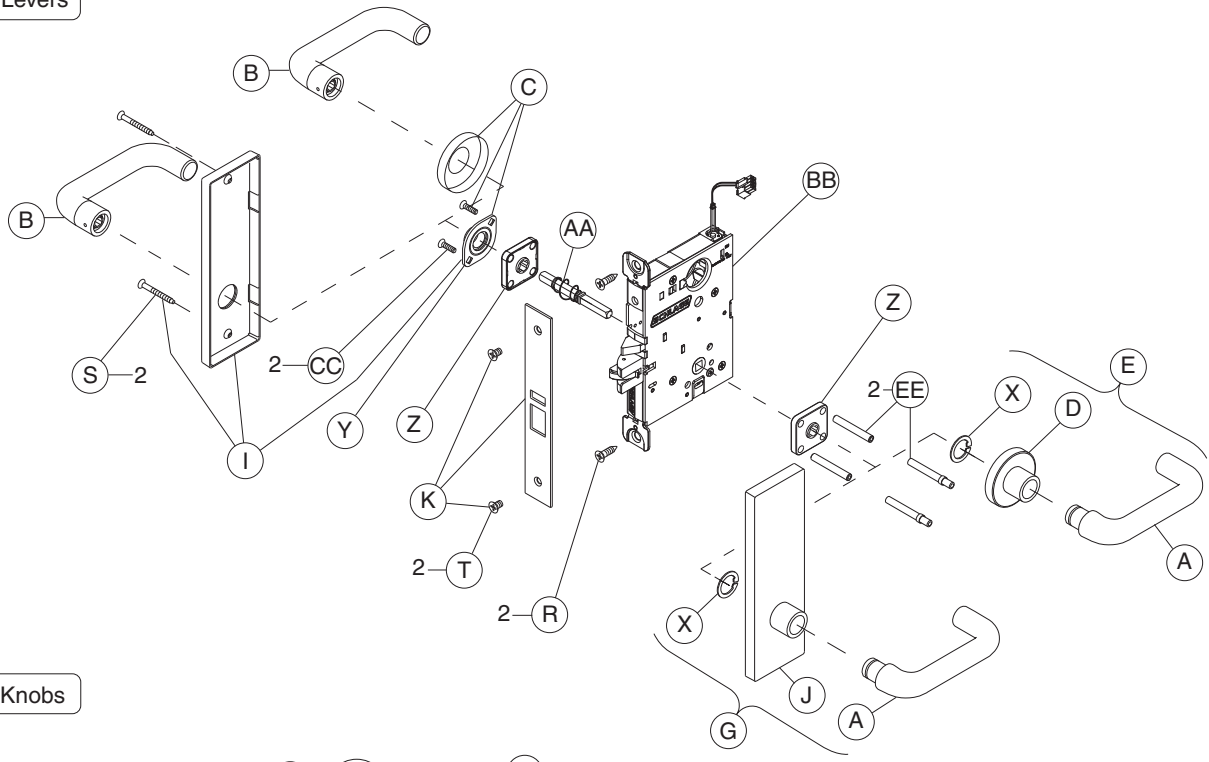
Trim assemblies

	P/N	Description	L9090 EL/EU	LV9090 EL/EU
A	09-401	Outside knob and lever	•	•
B	09-402	Inside knob and lever	•	•
C	09-403	Inside rose	•	•
D	09-404	Outside rose and bushing	•	•
E	Outside rose and knob/lever:			
	09-506	All designs except AST, AVA, MER	•	•
	09-655	AST, AVA, MER	•	•
G	09-550	Outside escutcheon x knob/lever (except 93 lever), L and N x blank	•	•
I	09-632	Inside escutcheon for knob/lever, L and N x blank	•	•
J	09-636	Outside escutcheon and bushing x knob/lever (except 93 lever), L and N x blank	•	•
	09-652	Outside escutcheon and bushing x 93 lever, full face cylinder	•	•
K	09-663	1¼" armor front x Schlage logo, latch and auxiliary latch	•	•
R	C203-736	Case mounting screw pack	•	•
S	Escutcheon thru-bolts/screws:			
	K510-389	N escutcheon	2	2
	L583-120	L escutcheon	2	2
T	K110-020	Armor screw pack	•	•
U	K110-550	Knob truarc rings and spacer pack	•	•
X	L283-030	Lever truarc rings	•	•
Y	L283-031	Inside lever mounting plate	•	•
Z	L283-040	Lever spring cage	2	2
AA	L283-060	Spindle and spring	2	2
BB	L283-347	Assembled lock case, electrically locked or unlocked one side	•	
	L283-597	Assembled lock case, electrically locked or unlocked one side, LV		•
CC	L583-066	Mounting trim screws, wood/metal door x rose/escutcheon x knob/lever	2	2
EE	L583-212	Mounting posts, L	2	
	L583-497	Mounting posts, LV		2
HH	L583-321	Inside knob mounting plate	•	•

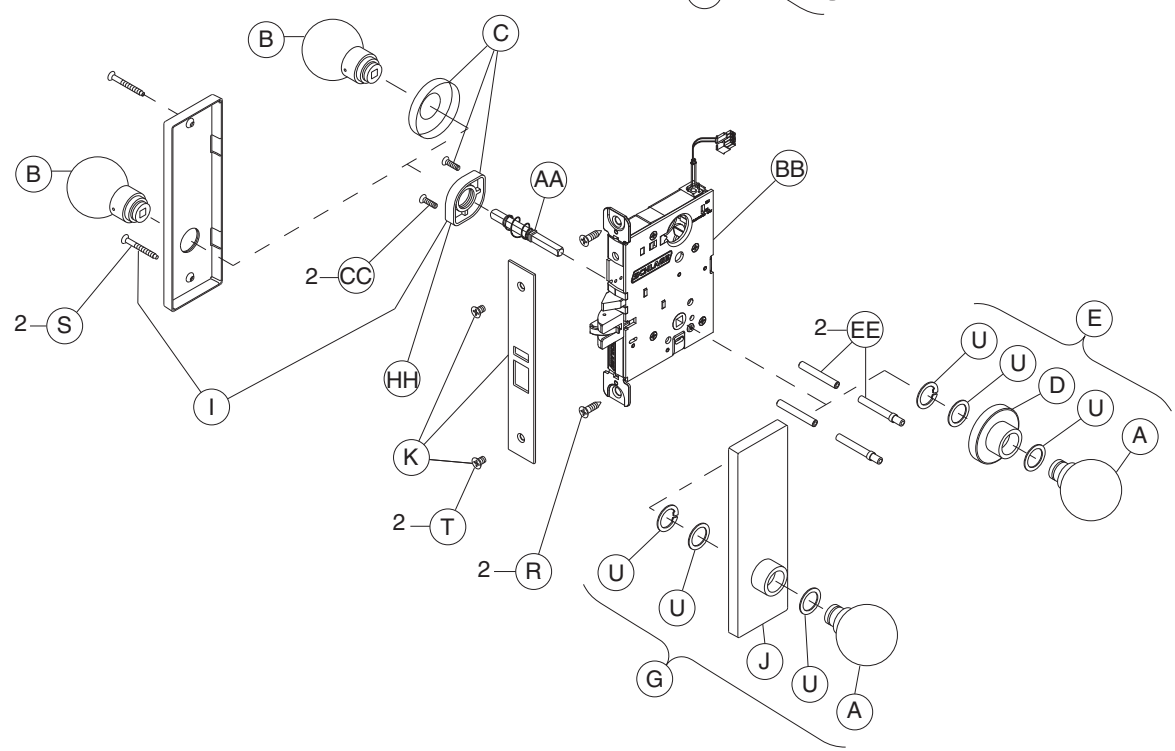
Electrically locked/unlocked both sides trim

L9091EL/EU, LV9091EL/EU

Levers



Knobs



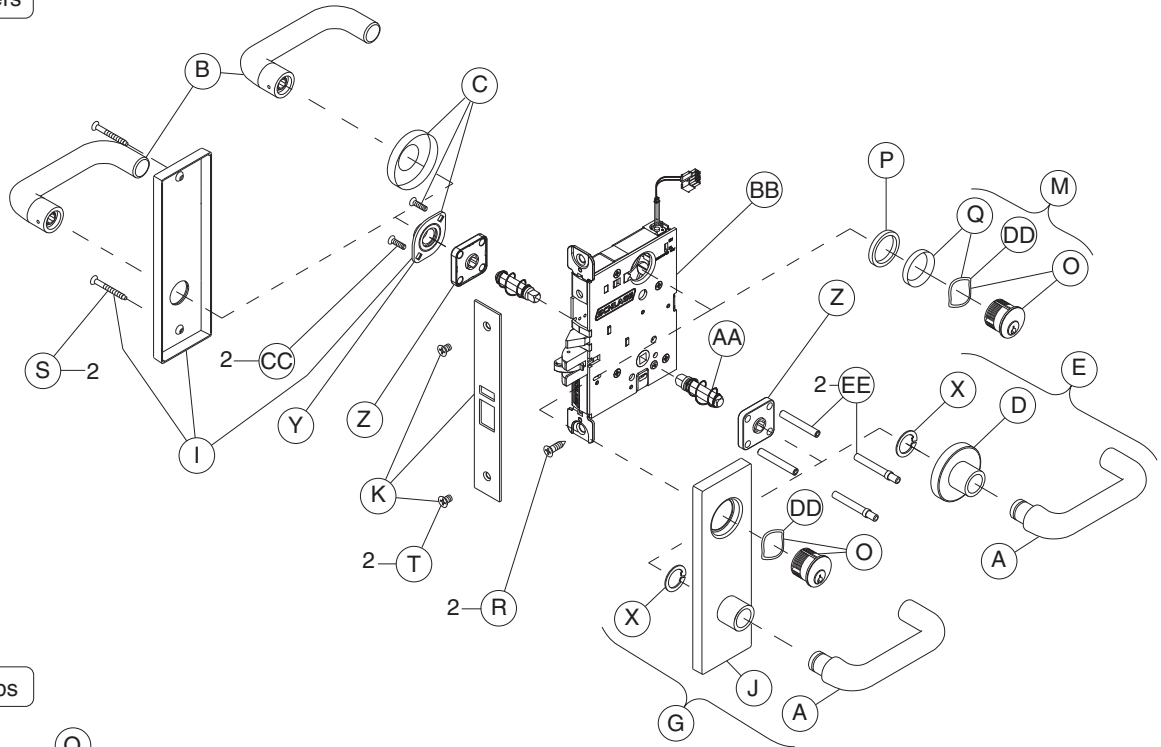
Trim assemblies

	P/N	Description	L9091 EL/EU	LV9091 EL/EE
A	09-401	Outside knob and lever	.	.
B	09-402	Inside knob and lever	.	.
C	09-403	Inside rose	.	.
D	09-404	Outside rose and bushing	.	.
Outside rose and knob/lever:				
E	09-506	All designs except AST, AVA, MER	.	.
	09-655	AST, AVA, MER	.	.
G	09-550	Outside escutcheon x knob/lever (except 93 lever), L and N x blank	.	.
I	09-632	Inside escutcheon for knob/lever, L and N x blank	.	.
J	09-636	Outside escutcheon and bushing x knob/lever (except 93 lever), L and N x blank	.	.
	09-652	Outside escutcheon and bushing x 93 lever, full face cylinder	.	.
K	09-663	1¼" armor front x Schlage logo, latch and auxiliary latch	.	.
R	C203-736	Case mounting screw pack	.	.
Escutcheon thru-bolts/screws:				
S	K510-389	N escutcheon	2	2
	L583-120	L escutcheon	2	2
T	K110-020	Armor screw pack	.	.
U	K110-550	Knob truarc rings and spacer pack	.	.
X	L283-030	Lever truarc rings	.	.
Y	L283-031	Inside lever mounting plate	.	.
Z	L283-040	Lever spring cage	2	2
AA	L283-064	Spindle and spring	.	.
BB	L283-395	Assembled lock case, electrically locked or unlocked both sides, L	.	.
	L283-597	Assembled lock case, electrically locked or unlocked one side, LV	.	.
CC	L583-066	Mounting trim screws, wood/metal door x rose/escutcheon x knob/lever	2	2
EE	L583-212	Mounting posts, L	2	.
	L583-497	Mounting posts, LV	.	2
HH	L583-321	Inside knob mounting plate	.	.

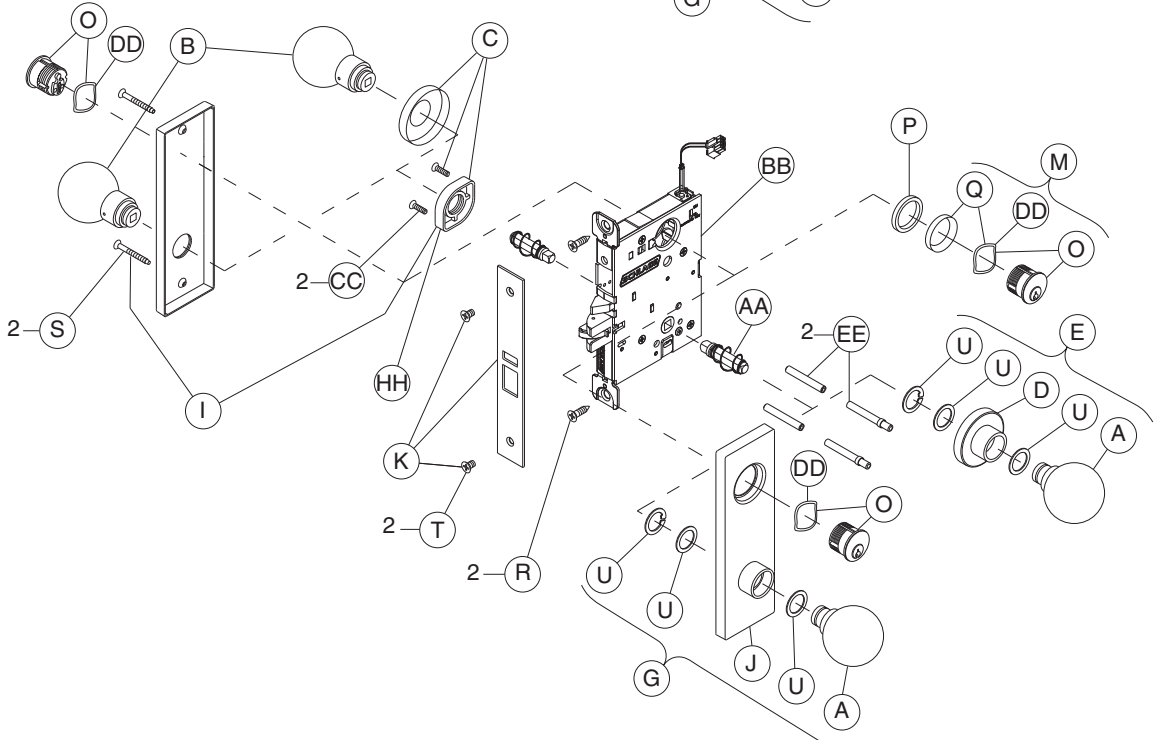
Electrically locked/unlocked outside trim, single cylinder

L9092EL/EU, LV9092EL/EU, L9492EL/EU, LV9492EL/EU

Levers



Knobs



Notes: L9492, LV9492 lock function has a latch, auxiliary latch, deadbolt and inside thumb turn. Lock case and armor front shown with latch and auxiliary latch.
Standard full face mortise cylinder shown.

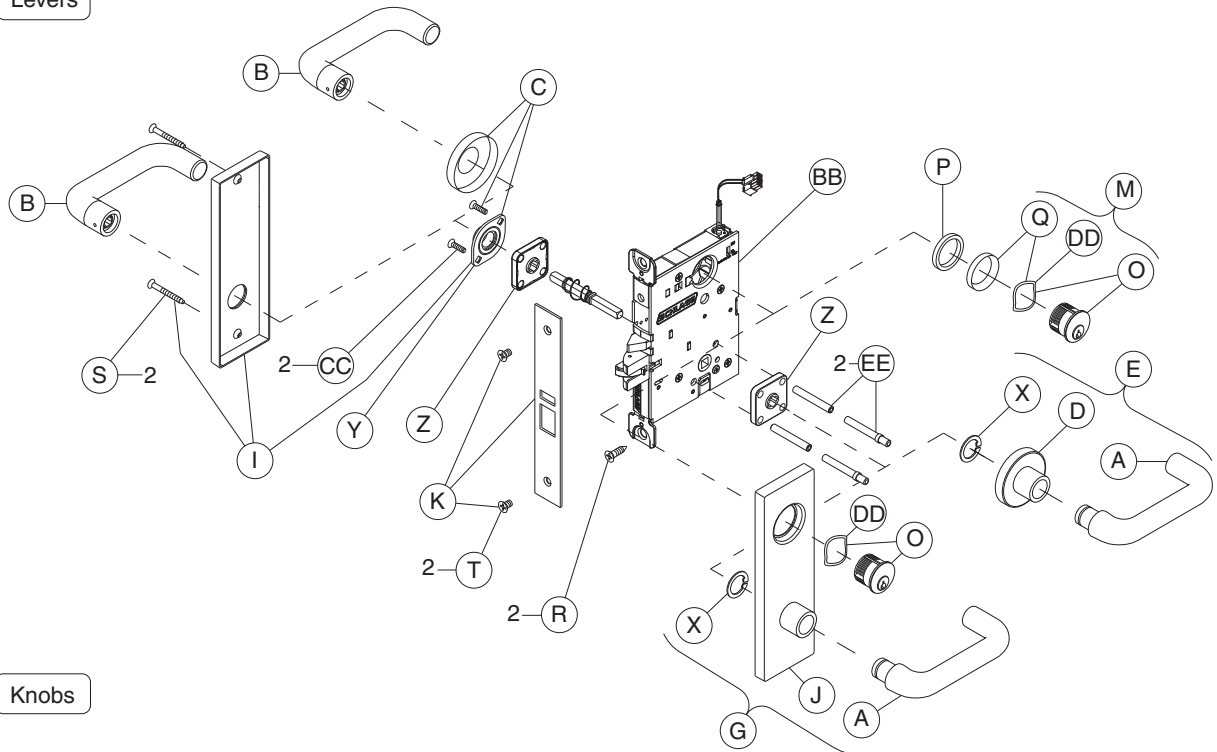
Trim assemblies

	P/N	Description	L9092 EL/EU	LV9092 EL/EU	L9492 EL/EU	LV9492 EL/EU
A	09-401	Outside knob and lever
B	09-402	Inside knob and lever
C	09-403	Inside rose
D	09-404	Outside rose and bushing
E	Outside rose and knob/lever:					
	09-506	All designs except AST, AVA, MER
	09-655	AST, AVA, MER
F	09-544	Thumbturn
G	09-553	Outside escutcheon x knob/lever (except 93 lever), L and N x full face cylinder
I	Inside escutcheon for knob/lever:					
	09-633	L and N x thumbturn
	09-632	L and N x blank
J	09-639	Outside escutcheon and bushing x knob/lever (except 93 lever), L and N x full face cylinder
	09-652	Outside escutcheon and bushing x 93 lever, full face cylinder
K	1¼" armor front x Schlage logo:					
	09-663	Latch and auxiliary latch
	09-666	Latch, auxiliary latch and deadbolt
M	30-001	Full face cylinder with compression ring and spring , clover leaf cam
O	30-021	Full face cylinder with compression spring , clover leaf cam
P	36-082	Blocking ring
Q	36-083	Compression ring and spring
R	C203-736	Case mounting screw pack
S	Escutcheon thru-bolts/screws:					
	K510-389	N escutcheon	2	2	2	2
	L583-120	L escutcheon	2	2	2	2
T	K110-020	Armor screw pack
U	K110-550	Knob truarc rings and spacer pack
X	L283-030	Lever truarc rings
Y	L283-031	Inside lever mounting plate
Z	L283-040	Lever spring cage	2	2	2	2
AA	L283-060	Spindle and spring	2	2	2	2
BB	Assembled lock case					
	L283-347	Electrically locked or unlocked one side, L
	L283-471	Electrically locked or unlocked one side with deadbolt, L
	L283-597	Electrically locked or unlocked one side, LV
	L283-599	Electrically locked or unlocked one side with deadbolt, LV
CC	L583-066	Mounting trim screws, wood/metal door x rose/escutcheon x knob/lever	2	2	2	2
DD	L583-195	Compression springs
EE	L583-212	Mounting posts, L	2		2	
	L583-497	Mounting posts, LV		2		2
HH	L583-321	Inside knob mounting plate

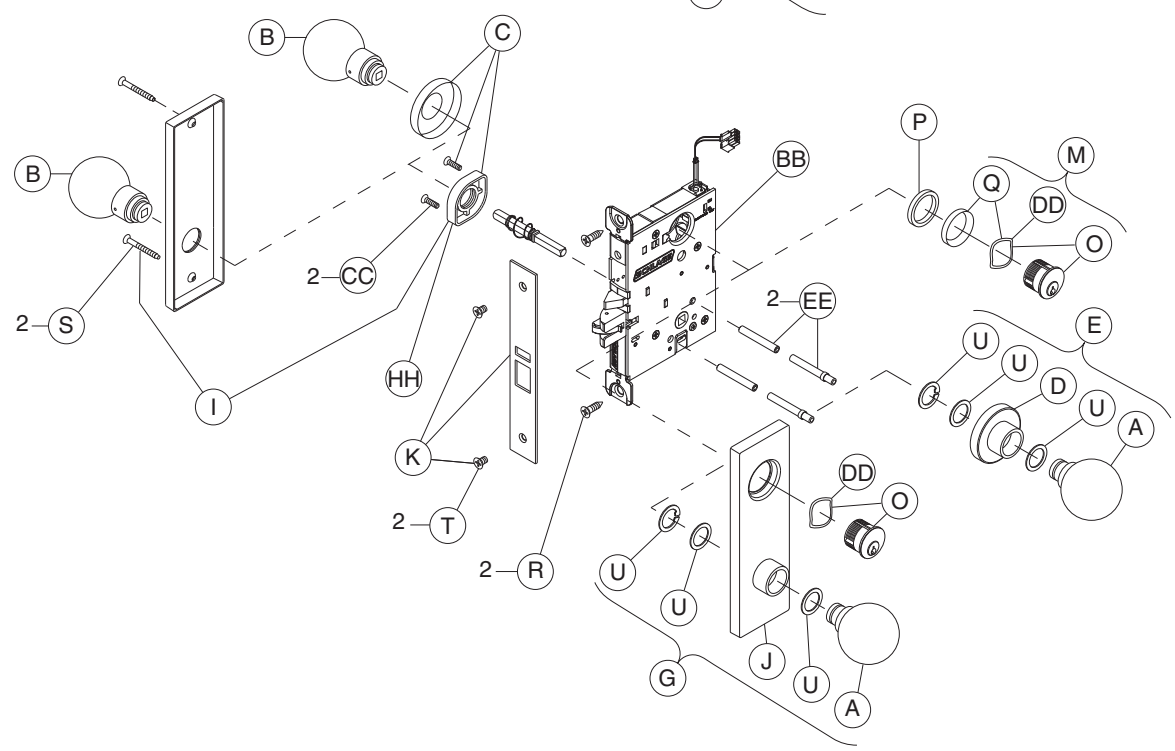
Electrically locked/unlocked both sides trim, single cylinder

L9093EL/EU, LV9093EL/EU, L9493EL/EU, LV9493EL/EU

Levers



Knobs



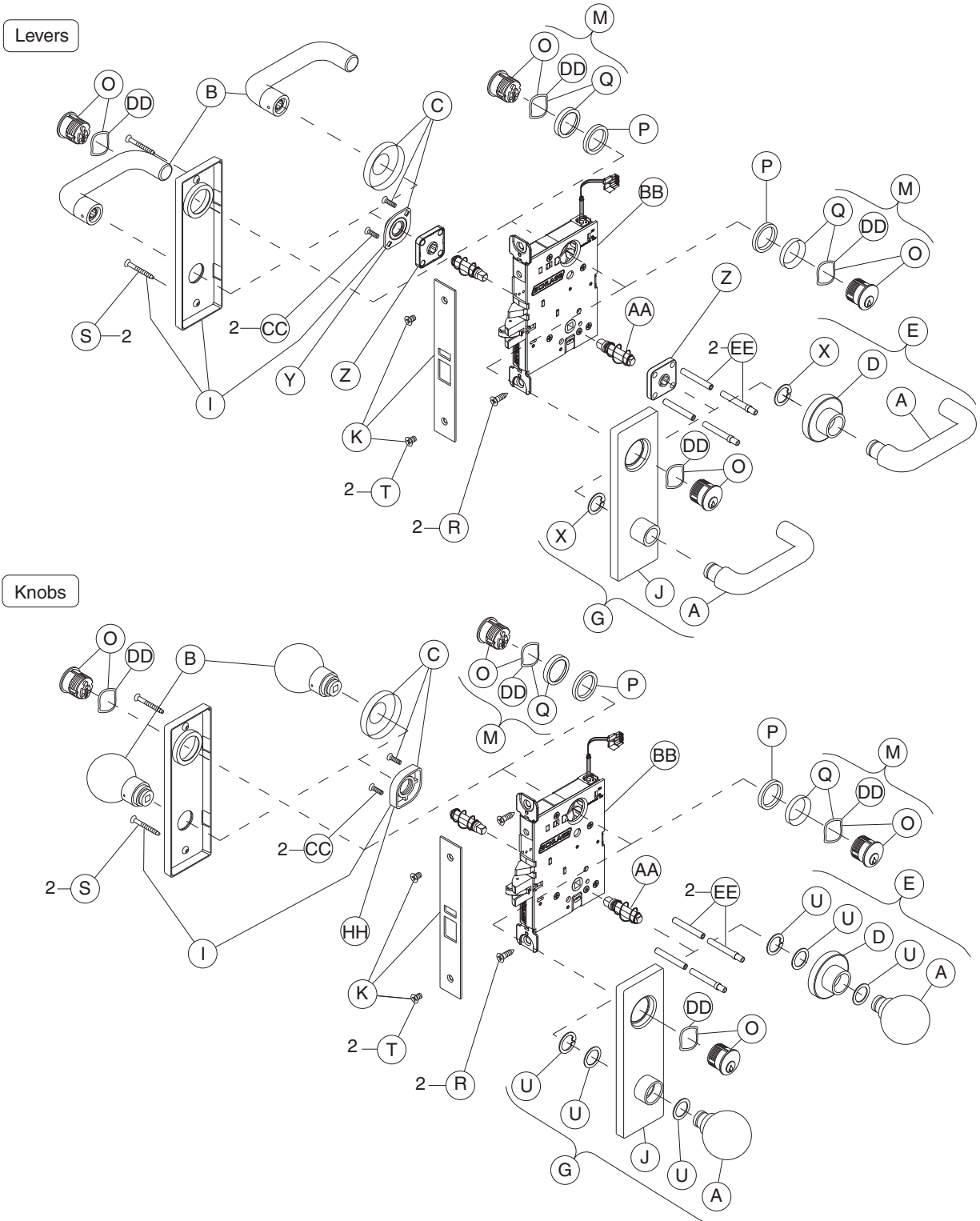
Notes: L9493, LV9493 lock function has a latch, auxiliary latch, deadbolt and inside thumb turn. Lock case and armor front shown with latch and auxiliary latch.
Standard full face mortise cylinder shown.

Trim assemblies

	P/N	Description	L9093 EL/EU	LV9093 EL/EU	L9493 EL/EU	LV9493 EL/EU
A	09-401	Outside knob and lever
B	09-402	Inside knob and lever
C	09-403	Inside rose
D	09-404	Outside rose and bushing
E	Outside rose and knob/lever:					
	09-506	All designs except AST, AVA, MER
	09-655	AST, AVA, MER
F	09-544	Thumbturn
G	09-553	Outside escutcheon x knob/lever (except 93 lever), L and N x full face cylinder
I	Inside escutcheon for knob/lever:					
	09-633	L and N x thumbturn
	09-632	L and N x blank
J	09-639	Outside escutcheon and bushing x knob/lever (except 93 lever), L and N x full face cylinder
	09-652	Outside escutcheon and bushing x 93 lever, full face cylinder
K	1¼" armor front x Schlage logo:					
	09-663	Latch and auxiliary latch
	09-666	Latch, auxiliary latch and deadbolt
M	30-001	Full face cylinder with compression ring and spring , clover leaf cam
O	30-021	Full face cylinder with compression spring , clover leaf cam
P	36-082	Blocking ring
Q	36-083	Compression ring and spring
R	C203-736	Case mounting screw pack
S	Escutcheon thru-bolts/screws:					
	K510-389	N escutcheon	2	2	2	2
	L583-120	L escutcheon	2	2	2	2
T	K110-020	Armor screw pack
U	K110-550	Knob truarc rings and spacer pack
X	L283-030	Lever truarc rings
Y	L283-031	Inside lever mounting plate
Z	L283-040	Lever spring cage	2	2	2	2
AA	L283-064	Spindle and spring
BB	Assembled lock case,					
	L283-395	Electrically locked or unlocked both side, L
	L283-472	Electrically locked or unlocked both sides with deadbolt, L
	L283-598	Electrically locked or unlocked both side, LV
	L283-600	Electrically locked or unlocked both sides with deadbolt, LV
CC	L583-066	Mounting trim screws, wood/metal door x rose/escutcheon x knob/lever	2	2	2	2
DD	L583-195	Compression springs
EE	L583-212	Mounting posts, L	2	2		
	L583-497	Mounting posts, LV		2	2	
HH	L583-321	Inside knob mounting plate

Electrically locked/unlocked outside trim, double cylinder

L9094EL/EU (discontinued), LV9094EL/EU, L9494EL/EU, LV9494EL/EU



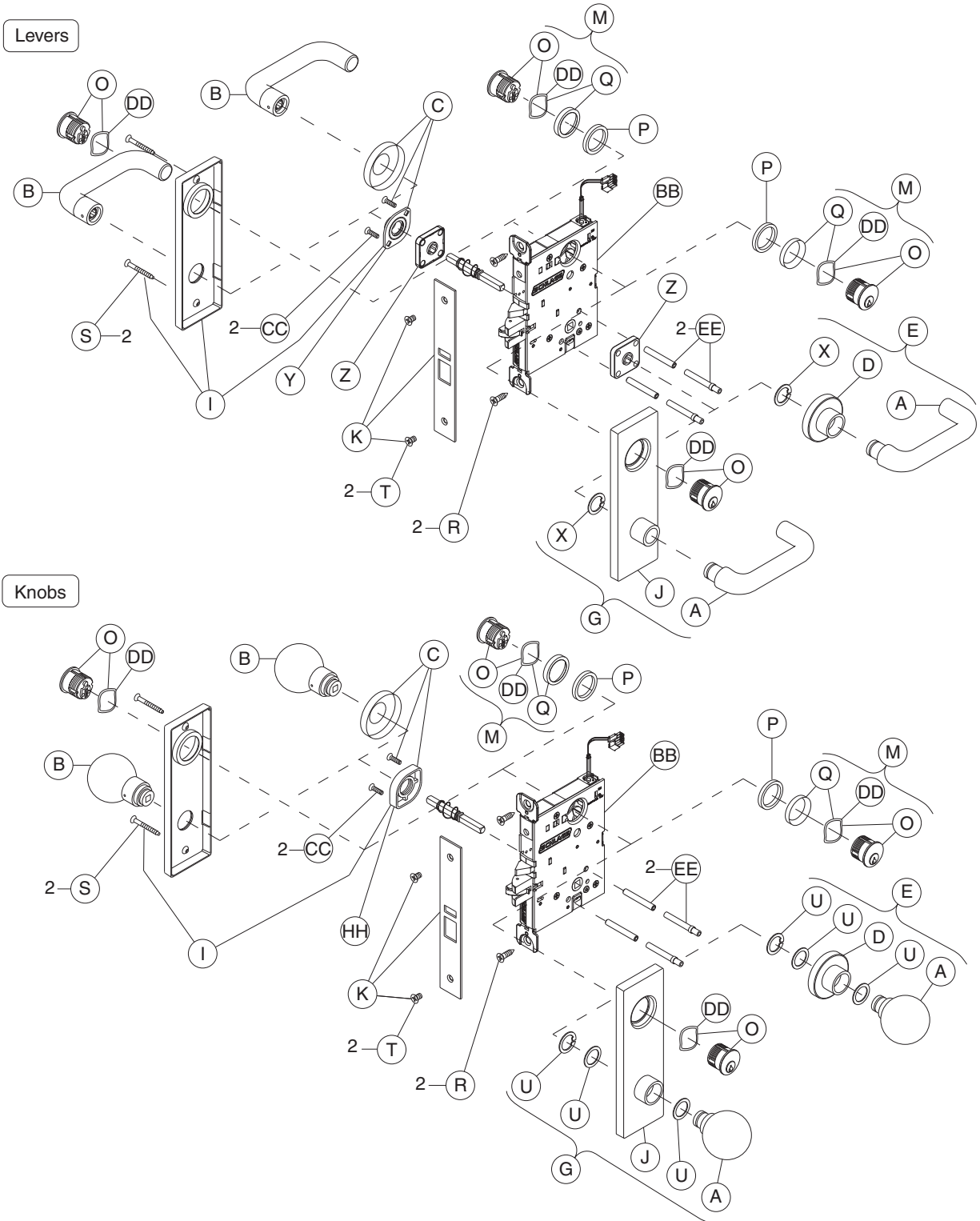
Notes: L9494 lock function has a latch, auxiliary latch, deadbolt and inside thumb turn. Lock case and armor front shown with latch and auxiliary latch.
Standard full face mortise cylinder shown.

Trim assemblies

	P/N	Description	L9094 EL/EU	LV9094 EL/EU	L9494 EL/EU	LV9494 EL/EU
A	09-401	Outside knob and lever
B	09-402	Inside knob and lever
C	09-403	Inside rose
D	09-404	Outside rose and bushing
E	Outside rose and knob/lever:					
	09-506	All designs except AST, AVA, MER
	09-655	AST, AVA, MER
F	09-544	Thumbturn
G	09-553	Outside escutcheon x knob/lever (except 93 lever), L and N x full face cylinder
I	Inside escutcheon for knob/lever:					
	09-633	L and N x thumbturn
	09-635	L and N x full face cylinder
J	Outside escutcheon and bushing x knob/lever (except 93 lever), L and N x full face cylinder	
	09-652	Outside escutcheon and bushing x 93 lever, full face cylinder
K	1¼" armor front x Schlage logo:					
	09-663	Latch and auxiliary latch
	09-666	Latch, auxiliary latch and deadbolt
M	30-001	Full face cylinder with compression ring and spring , clover leaf cam
O	30-021	Full face cylinder with compression spring , clover leaf cam
P	36-082	Blocking ring
Q	36-083	Compression ring and spring
R	C203-736	Case mounting screw pack
S	Escutcheon thru-bolts/screws:					
	K510-389	N escutcheon	2	2	2	2
	L583-120	L escutcheon	2	2	2	2
T	K110-020	Armor screw pack
U	K110-550	Knob truarc rings and spacer pack
X	L283-030	Lever truarc rings
Y	L283-031	Inside lever mounting plate
Z	L283-040	Lever spring cage	2	2	2	2
AA	L283-060	Spindle and spring	2	2	2	2
BB	Assembled lock case:					
	L283-347	Electrically locked or unlocked one side, L
	L283-471	Electrically locked or unlocked one side with deadbolt, L
	L283-597	Electrically locked or unlocked one side, LV
	L283-599	Electrically locked or unlocked one side with deadbolt, LV
CC	L583-066	Mounting trim screws, wood/metal door x rose/escutcheon x knob/lever	2	2	2	2
DD	L583-195	Compression springs
EE	L583-212	Mounting posts, L	2	2		
	L583-497	Mounting posts, LV		2	2	
HH	L583-321	Inside knob mounting plate

Electrically locked/unlocked both sides trim, double cylinder

L9095EL/EU, LV9095EL/EU, L9495EL/EU, LV9495EL/EU



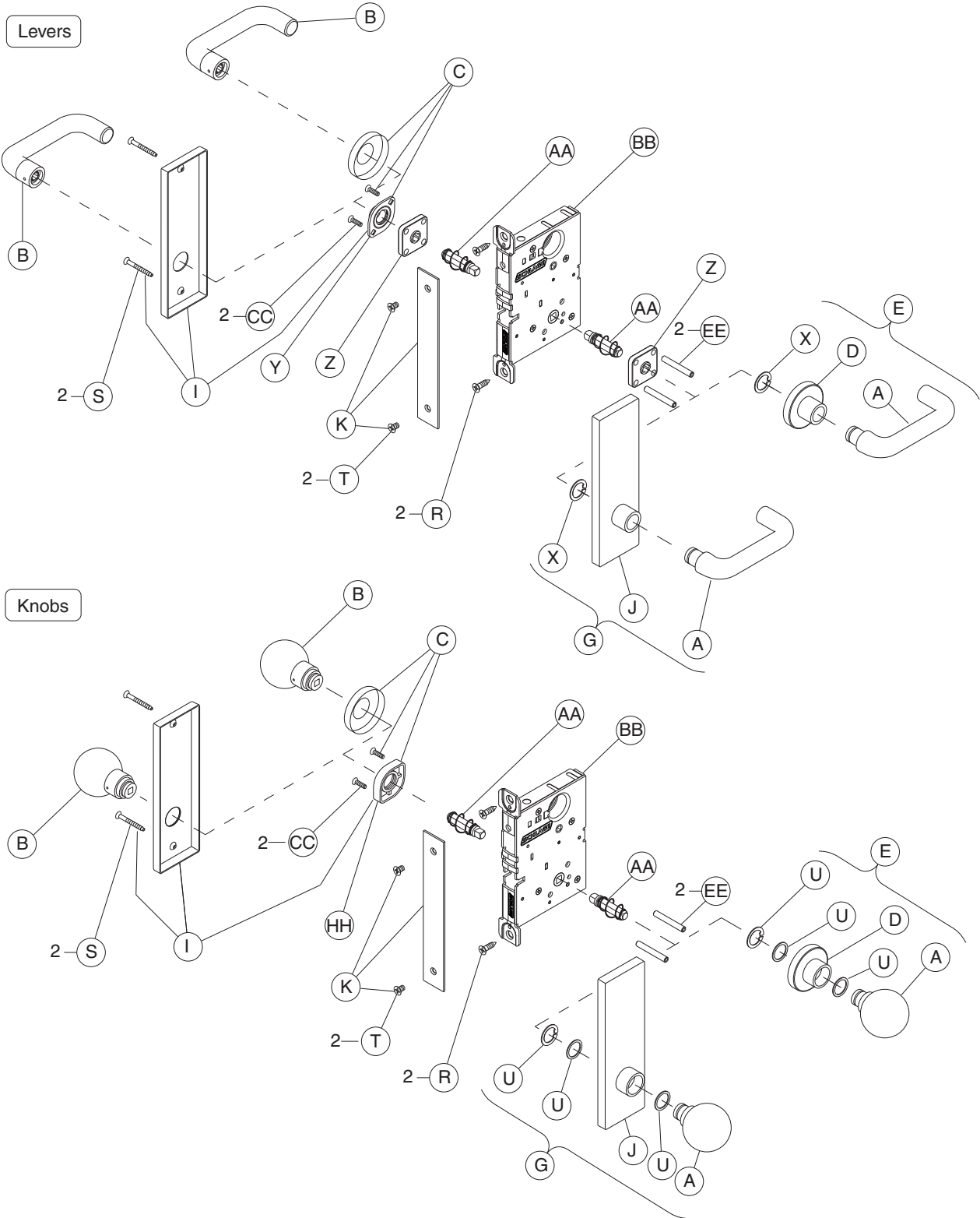
Notes: L9495 lock function has a latch, auxiliary latch, deadbolt and inside thumb turn. Lock case and armor front shown with latch and auxiliary latch.
Standard full face mortise cylinder shown.

Trim assemblies

	P/N	Description	L9095 EL/EU	LV9095 EL/EU	L9495 EL/EU	LV9495 EL/EU
A	09-401	Outside knob and lever
B	09-402	Inside knob and lever
C	09-403	Inside rose
D	09-404	Outside rose and bushing
E	Outside rose and knob/lever:					
	09-506	All designs except AST, AVA, MER
	09-655	AST, AVA, MER
F	09-544	Thumbturn
G	09-553	Outside escutcheon x knob/lever (except 93 lever), L and N x full face cylinder
I	Inside escutcheon for knob/lever:					
	09-633	L and N x thumbturn
	09-635	L and N x full face cylinder
J	Outside escutcheon and bushing x knob/lever (except 93 lever), L and N x full face cylinder	
	09-652	Outside escutcheon and bushing x 93 lever, full face cylinder
K	1¼" armor front x Schlage logo:					
	09-663	Latch and auxiliary latch
	09-666	Latch, auxiliary latch and deadbolt
M	30-001	Full face cylinder with compression ring and spring , clover leaf cam
O	30-021	Full face cylinder with compression spring , clover leaf cam
P	36-082	Blocking ring
Q	36-083	Compression ring and spring
R	C203-736	Case mounting screw pack
S	Escutcheon thru-bolts/screws:					
	K510-389	N escutcheon	2	2	2	2
	L583-120	L escutcheon	2	2	2	2
T	K110-020	Armor screw pack
U	K110-550	Knob truarc rings and spacer pack
X	L283-030	Lever truarc rings
Y	L283-031	Inside lever mounting plate
Z	L283-040	Lever spring cage	2	2	2	2
AA	L283-064	Spindle and spring
BB	Assembled lock case,					
	L283-395	Electrically locked or unlocked both sides, L
	L283-472	Electrically locked or unlocked both sides with deadbolt, L
	L283-598	Electrically locked or unlocked both sides, LV
	L283-600	Electrically locked or unlocked both sides with deadbolt, LV
CC	L583-066	Mounting trim screws, wood/metal door x rose/escutcheon x knob/lever	2	2	2	2
DD	L583-195	Compression springs
EE	Mounting posts, L		2	2		
	L583-497	Mounting posts, LV		2	2	
HH	L583-321	Inside knob mounting plate

Active double dummy trim

L9110 x XL11-741



Trim assemblies

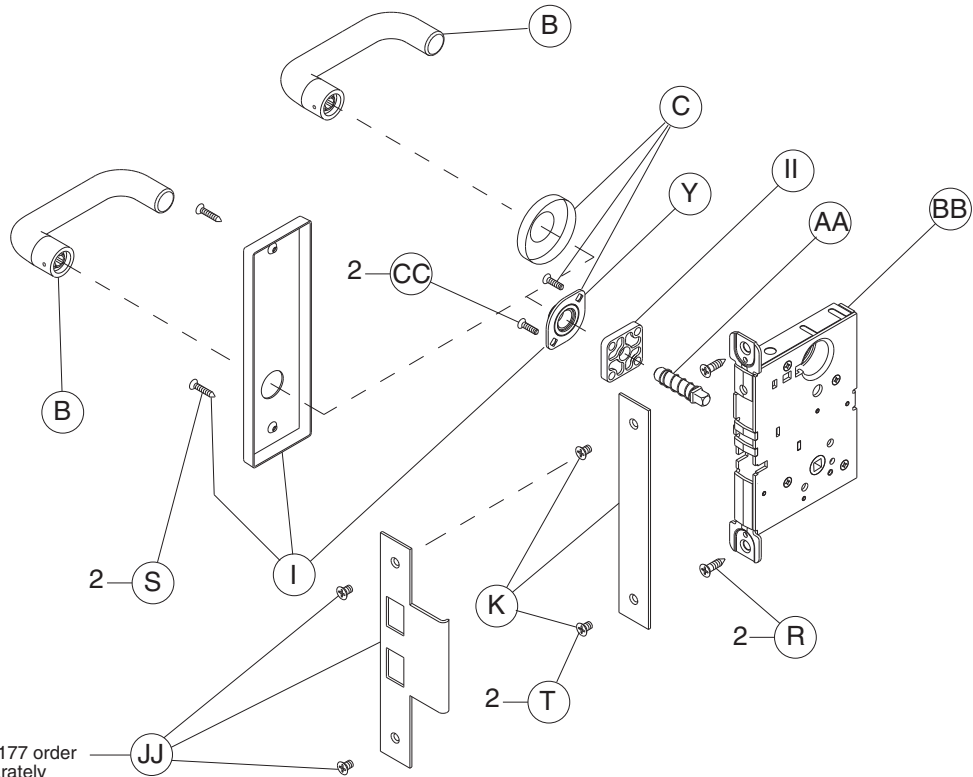
	P/N	Description
A	09-401	Outside knob and lever
B	09-402	Inside knob and lever
C	09-403	Inside rose
D	09-404	Outside rose and bushing
E	Outside rose and knob/lever:	
	09-506	All designs except AST, AVA, MER
	09-655	AST, AVA, MER
G	09-550	Outside escutcheon x knob/lever (except 93 lever) L and N x blank
I	09-632	Inside escutcheon for knob/lever, L and N x blank
J	09-636	Outside escutcheon and bushing by knob/lever except 93 lever, L and N x blank
K	09-661	1¼" armor front x Schlage logo, blank
R	C203-736	Case mounting screw pack
S	Escutcheon thru-bolts/screws (qty 2 each):	
	K510-389	N escutcheon
	L583-120	L escutcheon
T	K110-020	Armor screw pack
U	K110-550	Knob truarc rings and spacer pack
X	L283-030	Lever truarc rings
Y	L283-031	Inside lever mounting plate
Z	L283-040	Lever spring cage (qty 2)
AA	L283-060	Spindle and spring (qty 2)
BB	XL11-741	Assembled lock case, double dummy with active knob/lever ‡
CC	L583-066	Mounting plate screws (qty 2), wood/metal door x rose/escutcheon x knob/lever except single dummy
EE	L583-212	Mounting posts (qty 2)
HH	L583-321	Inside knob mounting plate

‡ Not sold separately as a part.

Single dummy with case trim

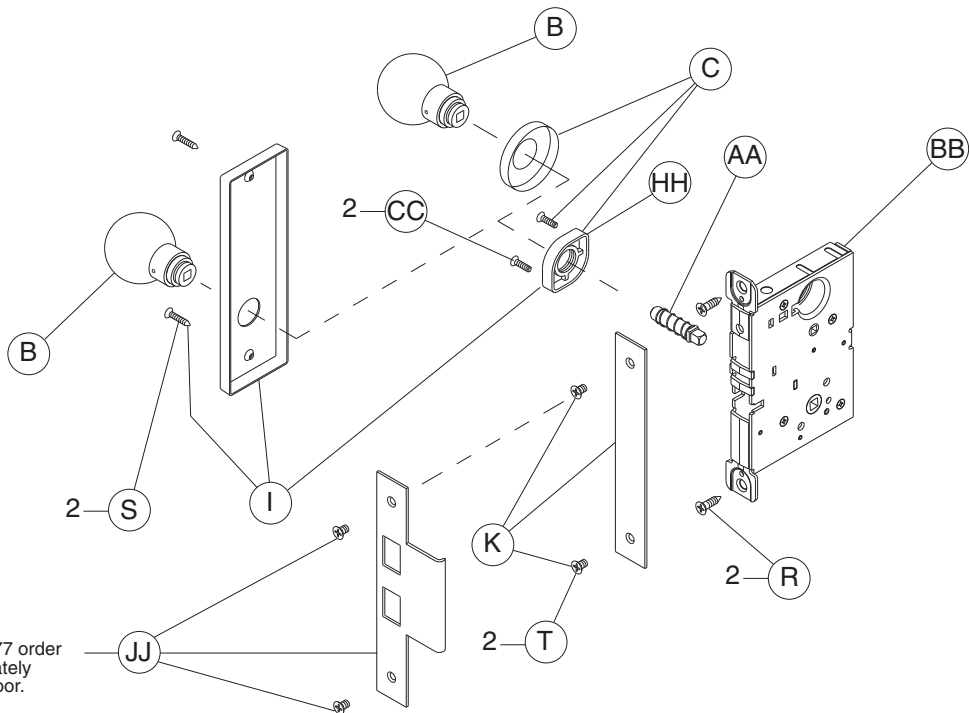
L9175, L9177 (discontinued)

Levers



For discontinued function L9177 order L9175 and armor strike separately and specify hand of inactive door. Mount in place of blank armor.

Knobs



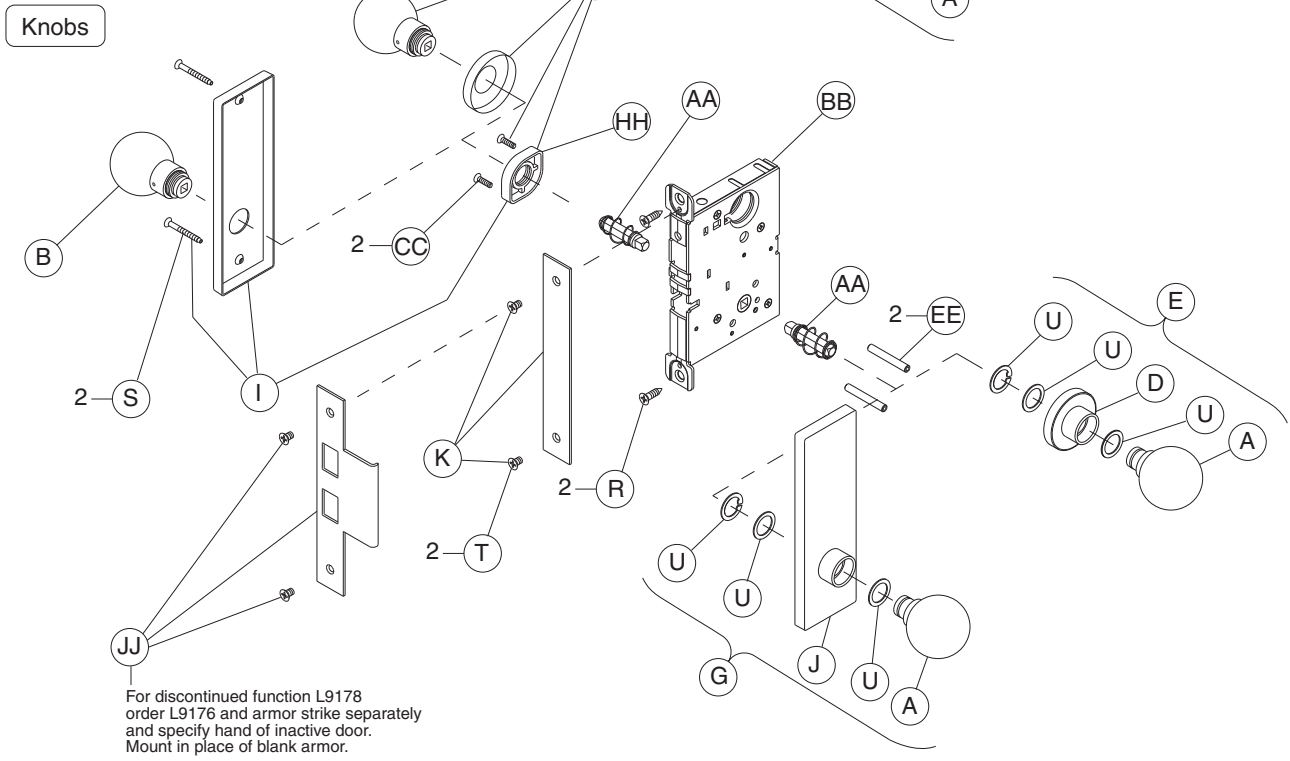
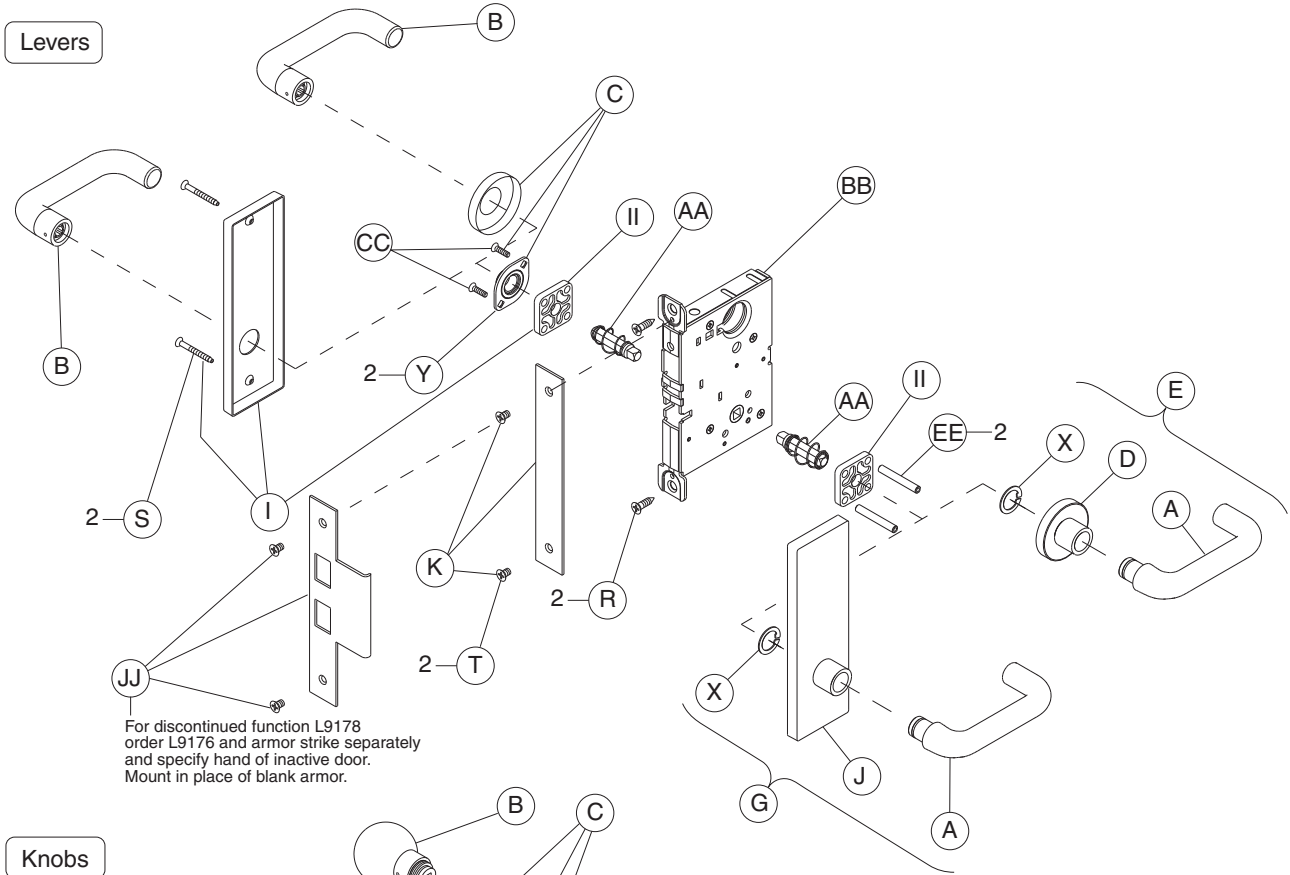
For discontinued function L9177 order L9175 and armor strike separately and specify hand of inactive door. Mount in place of blank armor.

Trim assemblies

	P/N	Description	L9175	L9177
B	09-402	Inside knob and lever	•	•
C	09-403	Inside rose	•	•
I	09-632	Inside escutcheon for knob/lever, L and N x blank	•	•
K	09-661	1¼" armor front x Schlage logo, blank	•	•
R	C203-736	Case mounting screw pack	•	•
S	Escutcheon thru-bolts/screws:			
	L583-133	N escutcheon	2	2
	L583-287	L escutcheon	2	2
T	K110-020	Armor screw pack	•	•
Y	L283-031	Inside lever mounting plate	•	•
AA	L283-060	Spindle and spring	•	•
BB	L283-144	Assembled lock case, single dummy with case	•	•
CC	Mounting plate screws:			
	L583-290	Wood/metal door x rose/escutcheon x lever	2	2
	L583-291	Wood/metal door x rose/escutcheon x knob	2	2
HH	L583-321	Inside knob mounting plate	•	•
II	L583-322	Outside lever spacer	•	•
JJ	10-091	Armor strike	•	•

Double dummy with case trim

L9176, L9178 (discontinued)



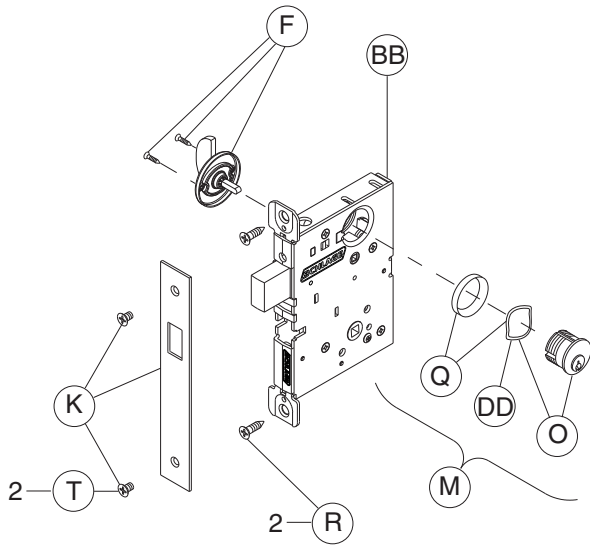
Trim assemblies

	P/N	Description	L9176	L9178
A	09-401	Outside knob and lever	.	.
B	09-402	Inside knob and lever	.	.
C	09-403	Inside rose	.	.
D	09-404	Outside rose and bushing	.	.
E	09-506	Outside rose and knob/lever: All designs except AST, AVA, MER	.	.
G	09-550	Outside escutcheon x knob/lever except 93 lever, L and N x blank	.	.
I	09-632	Inside escutcheon for knob/lever, L and N x blank	.	.
J	09-636	Outside escutcheon and bushing x knob/lever except 93 lever, L and N x blank	.	.
	09-650	Outside escutcheon and bushing x 93 lever, blank	.	.
K	09-661	1¼" armor front x Schlage logo, blank	.	.
R	C203-736	Case mounting screw pack	.	.
S	Escutcheon thru-bolts/screws:			
	K510-389	N escutcheon	2	2
	L583-120	L escutcheon	2	2
T	K110-020	Armor screw pack	.	.
U	K110-550	Knob truarc rings and spacer pack	.	.
X	L283-030	Lever truarc rings	.	.
Y	L283-031	Inside lever mounting plate	.	.
AA	L283-060	Spindle and spring	2	2
BB	L283-145	Assembled lock case, double dummy with case	.	.
CC	L583-066	Mounting plate screws: Wood/metal door x rose/escutcheon x knob/lever except single dummy	2	2
EE	L583-212	Mounting posts	2	2
HH	L583-321	Inside knob mounting plate	2	2
II	L583-322	Outside lever spacer	2	2
JJ	10-091	Armor strike	.	.

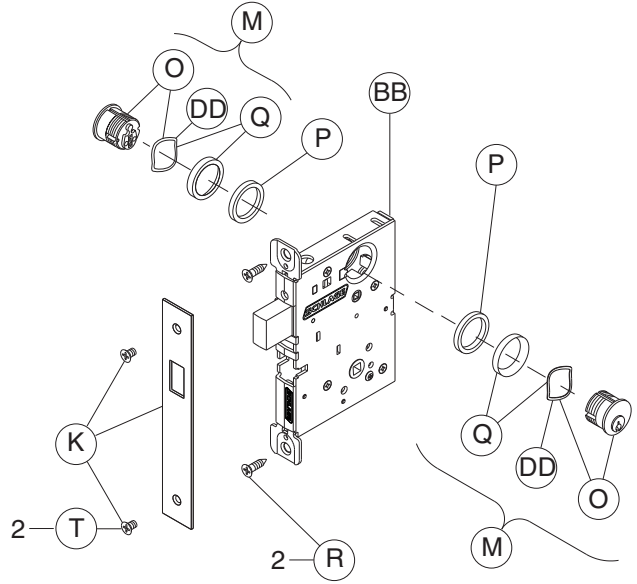
Deadbolt trim

L9460, L9462, L9463, L9464

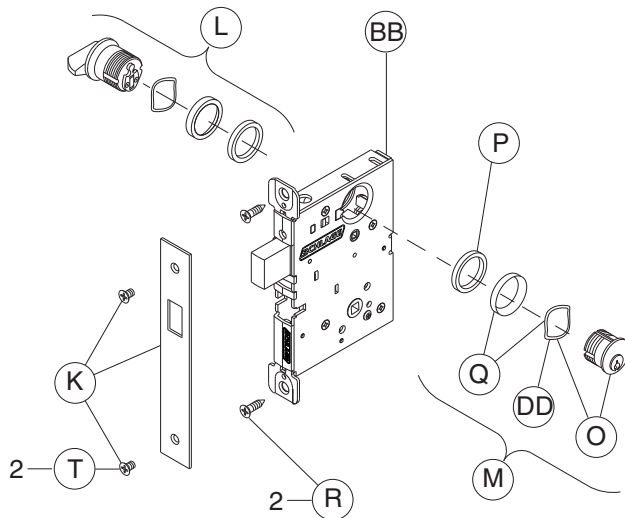
L9460P



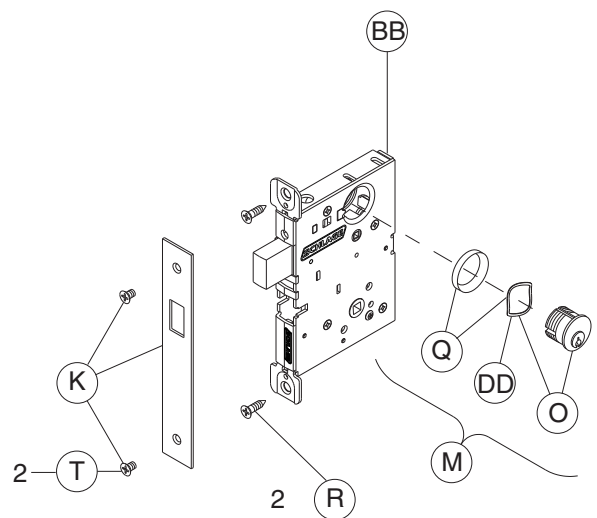
L9462P



L9463P



L9464P



Notes: Standard full face mortise cylinder shown.
Available with 180° indicator trim.

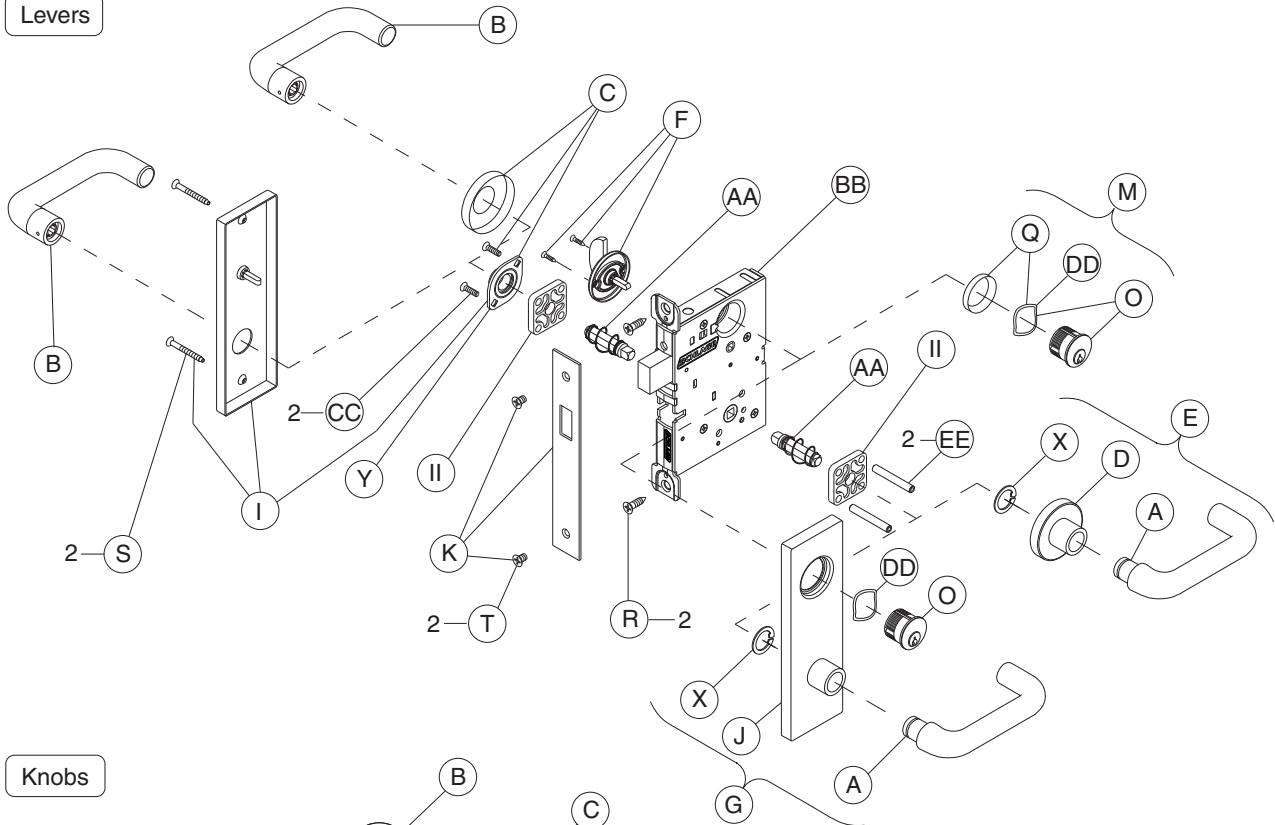
Trim assemblies

	P/N	Description	L9460	L9462	L9463	L9464
F	09-544	Thumbturn	•			
K	09-665	1¼" armor front x Schlage logo, deadbolt	•	•	•	•
L	09-905	Classroom turn and 1½" blocking ring			•	
M	30-001	Full face cylinder with compression ring and spring , clover leaf cam	•	2	•	•
O	30-021	Full face cylinder with compression spring , clover leaf cam	•	2	•	•
P	36-082	Blocking ring		2	•	
Q	36-083	Compression ring and spring	•	2	•	•
R	C203-736	Case mounting screw pack	•	•	•	•
T	K110-020	Armor screw pack	•	•	•	•
BB	L283-139	Assembled lock case, L946X deadbolt	•	•	•	•
CC	L583-066	Mounting trim screws, wood/metal door x rose/escutcheon x knob/lever	2	2	2	2
DD	L583-195	Compression springs	•	2	•	•

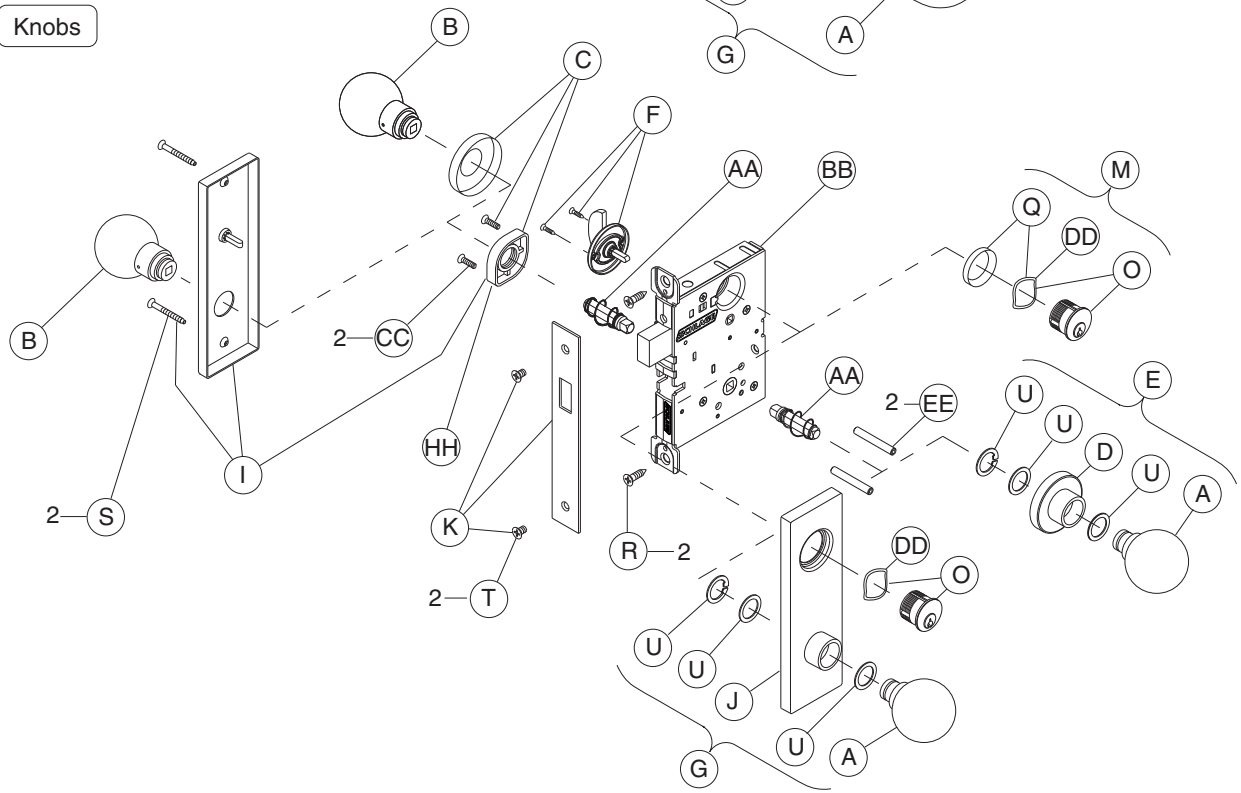
Deadbolt with fixed double dummy trim

L9460 x XL11-635

Levers



Knobs



Notes: Standard full face mortise cylinder shown.
Available with 180° indicator trim.

Trim assemblies

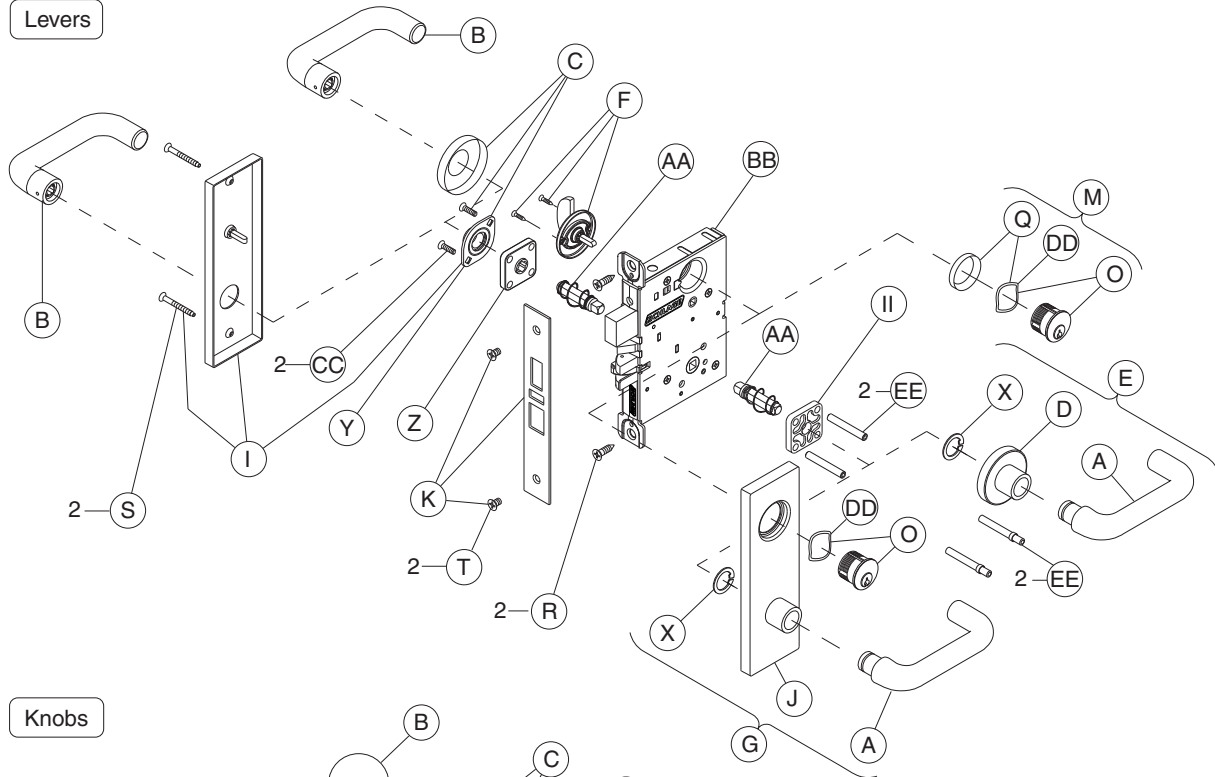
	P/N	Description
A	09-401	Outside knob and lever
B	09-402	Inside knob and lever
C	09-403	Inside rose
D	09-404	Outside rose and bushing
E	Outside rose and knob/lever:	
	09-506	All designs except AST, AVA, MER
	09-655	AST, AVA, MER
F	09-544	Thumbturn
G	09-553	Outside escutcheon x knob/lever (except 93 lever), L and N x full face cylinder
I	09-548	Inside escutcheon for knob/lever: L x thumbturn
	09-642	Inside escutcheon for knob/lever: N x thumbturn
J	09-639	Outside escutcheon and bushing x knob/lever (except 93 lever), L and N x full face cylinder
K	09-665	1¼" armor front x Schlage logo, deadbolt
M	30-001	Full face cylinder with compression ring and spring , clover leaf cam
O	30-021	Full face cylinder with compression spring , clover leaf cam
Q	36-083	Compression ring and spring
R	C203-736	Case mounting screw pack
S	Escutcheon thru-bolts/screws (qty 2 each):	
	K510-389	N escutcheon
	L583-120	L escutcheon
T	K110-020	Armor screw pack
U	K110-550	Knob truarc rings and spacer pack
X	L283-030	Lever truarc rings
Y	L283-031	Inside lever mounting plate
AA	L283-060	Spindle and spring (qty 2)
BB	XL11-661	Assembled lock case, deadbolt with fixed trim ‡
CC	L583-066	Mounting trim screws, wood/metal door x rose/escutcheon x knob/lever (qty 2)
DD	L583-195	Compression spring
EE	L583-212	Mounting posts, (qty 2)
HH	L583-321	Inside knob mounting plate
II	L583-322	Outside lever spacer (qty 2)

‡ Not sold separately as a part.

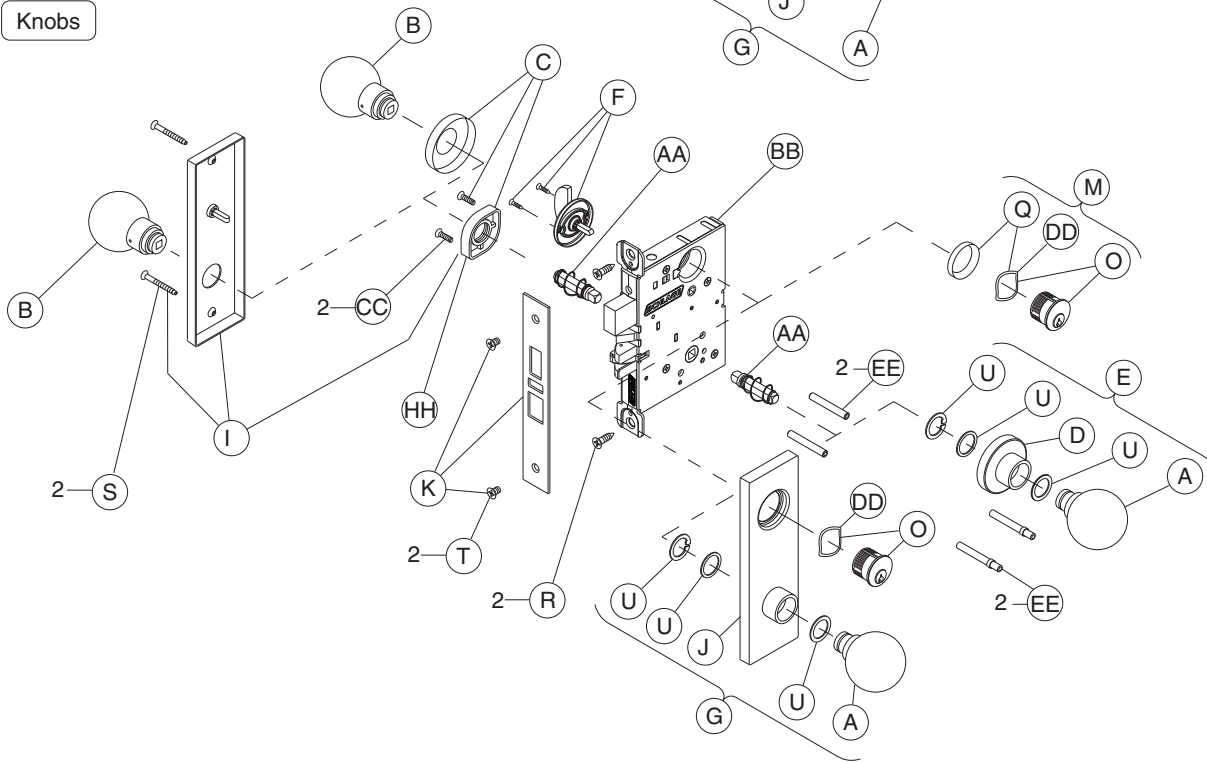
Fixed outside x turn trim

L9412-XL11-907, L9460 x XL11-886, L9480, LV9480, L9485, LV9485

Levers



Knobs



Notes: L9460 x XL11-886 lock function has a deadbolt only. Lock case and armor front shown with latch, auxiliary latch, and deadbolt.
 Standard full face mortise cylinder shown.
 L9460 x XL11-886, L/LV9480, and L/LV9485 available with 180° indicator trim.
 LV9480 available with lever x lever trim only.
 L9412 x XL11-907 lock function has a blank outside escutcheon.

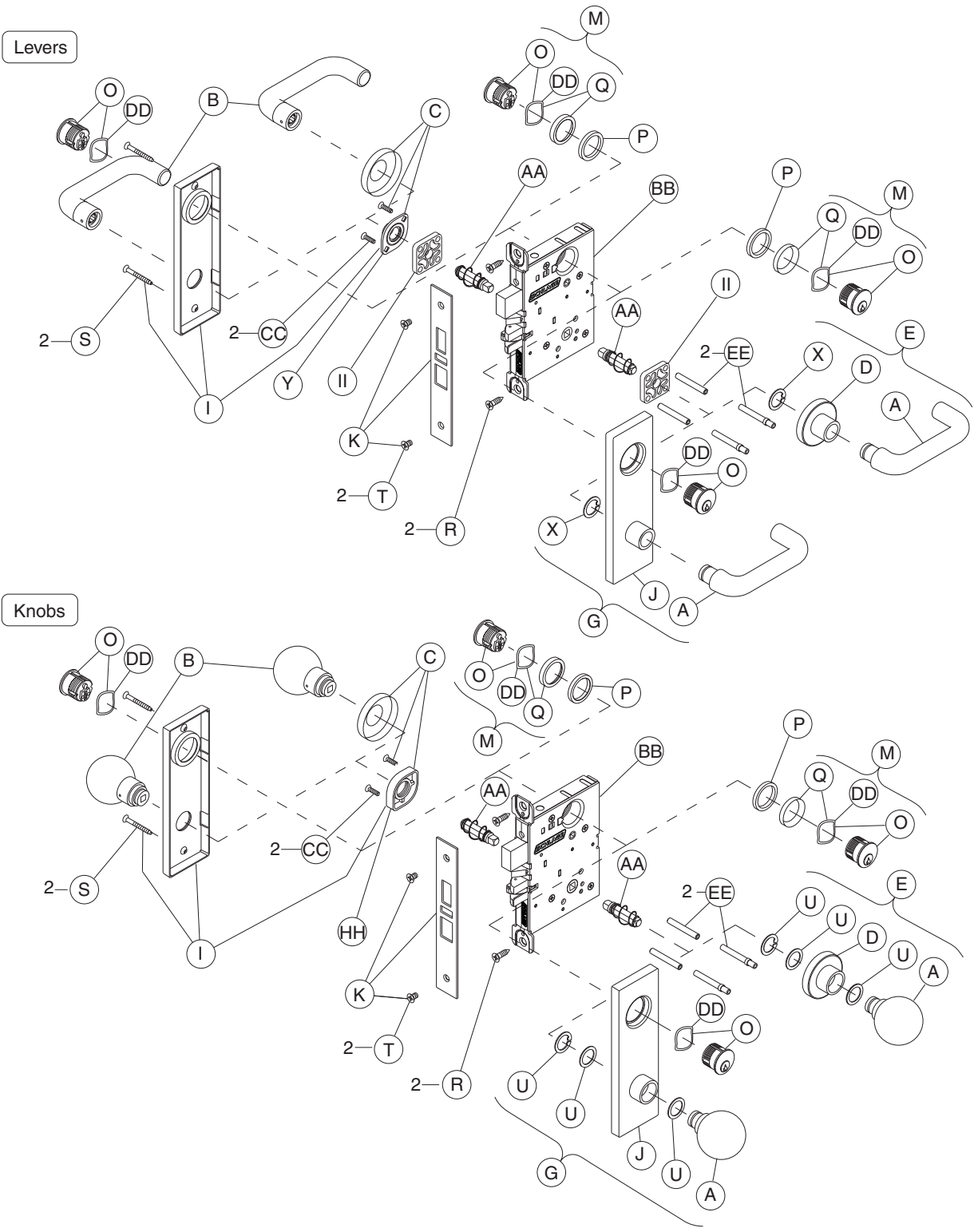
Trim assemblies

	P/N	Description	L9412/XL11-907	L9460/XL11-886	L9480	LV9480	L9485	LV9485
A	09-401	Outside knob and lever	*	*	*	*	*	*
B	09-402	Inside knob and lever	*	*	*	*	*	*
C	09-403	Inside rose		*	*	*	*	*
D	09-404	Outside rose and bushing		*	*	*	*	*
Outside rose and knob/lever:								
E	09-506	All designs except AST, AVA, MER	*	*	*	*	*	*
	09-655	AST, AVA, MER	*	*	*	*	*	*
F	09-544	Thumbturn	*	*	*	*	*	*
G	09-550	Outside escutcheon x knob/lever except 93 lever, L and N x blank	*					
	09-553	Outside escutcheon x knob/lever (except 93 lever), L and N x full face cylinder		*	*	*	*	*
I	09-548	Inside escutcheon for knob/lever, L x thumbturn	*	*	*	*	*	*
	09-642	Inside escutcheon for knob/lever, N x thumbturn	*	*	*	*	*	*
J	09-639	Outside escutcheon and bushing x knob/lever (except 93 lever), L and N x full face cylinder	*	*	*	*	*	*
	09-652	Outside escutcheon and bushing x 93 lever, full face cylinder	*		*	*	*	*
1¼" armor front x Schlage logo:								
K	09-665	Deadbolt		*				
	09-666	Latch, auxiliary latch and deadbolt	*	*	*	*	*	*
M	30-001	Full face cylinder with compression ring and spring , clover leaf cam		*	*	*	*	*
O	30-021	Full face cylinder with compression spring , clover leaf cam		*	*	*	*	*
Q	36-083	Compression ring and spring		*	*	*	*	*
R	C203-736	Case mounting screw pack	*	*	*	*	*	*
Escutcheon thru-bolts/screws:								
S	K510-389	N escutcheon	2	2	2	2	2	2
	L583-120	L escutcheon	2	2	2	2	2	2
T	K110-020	Armor screw pack	*	*	*	*	*	*
U	K110-550	Knob truarc rings and spacer pack	*	*	*	*	*	*
X	L283-030	Lever truarc rings	*	*	*	*	*	*
Y	L283-031	Inside lever mounting plate	*	*	*	*	*	*
Z	L283-040	Lever spring cage	*	*	*	2	*	2
AA	L283-060	Spindle and spring	2	2	2	2	2	2
Assembled lock case,								
BB	L283-139 x XL11-886	Deadbolt retract x inside knob/lever ‡		*				
	L283-141	Storeroom lock with deadbolt		*		*		
	L283-141 x XL11-907	Storeroom/faculty restroom ‡	*					
	L283-178	Storeroom/faculty restroom, LV				*		*
CC	L583-066	Mounting trim screws, wood/metal door x rose/escutcheon x knob/lever	2	2	2	2	2	2
DD	L583-195	Compression springs	*	*	*	*	*	*
EE	L583-212	Mounting posts, L	2	2	2		2	
	L583-497	Mounting posts, LV				2		2
HH	L583-321	Inside knob mounting plate	*	*	*	*	*	*
II	L583-322	Outside lever spacer	*	*	*	*	*	*

‡ Not sold separately as a part.

Institution deadbolt trim

L9482 x XL11-543, LV9482 x XL11-543



Note: Standard full face mortise cylinder shown.

Trim assemblies

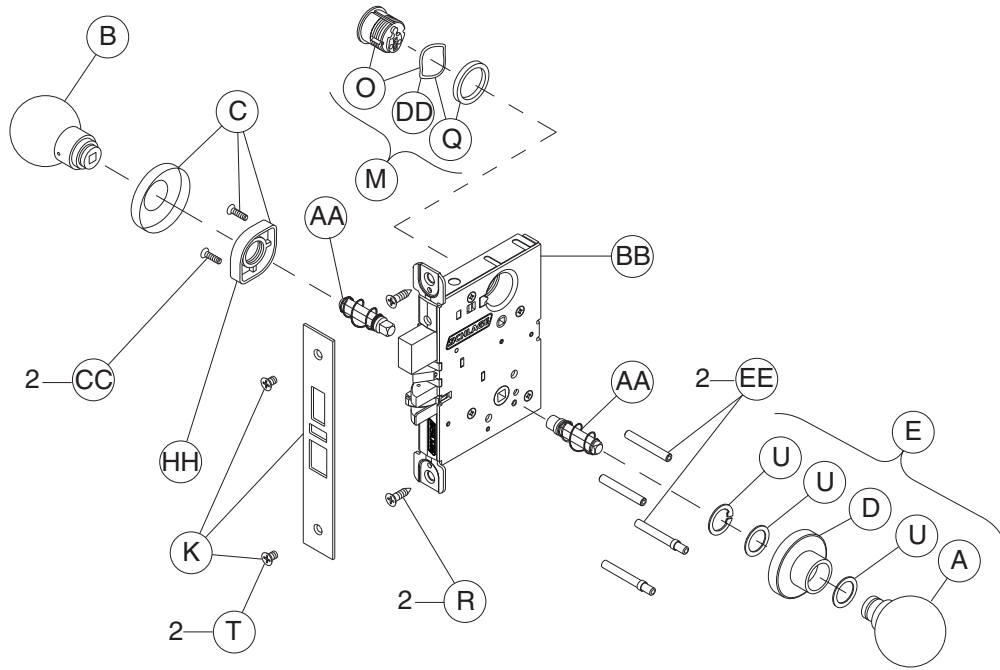
	P/N	Description	L9482/XL11-543	L V9482/XL11-543
A	09-401	Outside knob and lever	•	•
B	09-402	Inside knob and lever	•	•
C	09-403	Inside rose	•	•
D	09-404	Outside rose and bushing	•	•
E	Outside rose and knob/lever:			
	09-506	All designs except AST, AVA, MER	•	•
	09-655	AST, AVA, MER	•	•
G	09-553	Outside escutcheon x knob/lever (except 93 lever), L and N x full face cylinder	•	•
I	09-635	Inside escutcheon for knob/lever, L and N x full face cylinder	•	•
J	09-639	Outside escutcheon and bushing x knob/lever (except 93 lever), L and N x full face cylinder	•	•
K	09-666	1¼" armor front x Schlage logo, latch, auxiliary latch and deadbolt	•	•
M	30-001	Full face cylinder with compression ring and spring, clover leaf cam	2	2
O	30-021	Full face cylinder with compression spring, clover leaf cam	2	2
P	36-082	Blocking ring	2	2
Q	36-083	Compression ring and spring	•	•
R	C203-736	Case mounting screw pack	•	•
S	Escutcheon thru-bolts/screws:			
	K510-389	N escutcheon	2	2
	L583-120	L escutcheon	2	2
T	K110-020	Armor screw pack	•	•
U	K110-550	Knob truarc rings and spacer pack	•	•
X	L283-030	Lever truarc rings	•	•
Y	L283-031	Inside lever mounting plate	•	•
Z	L283-040	Lever spring cage		2
AA	L283-060	Spindle and spring	2	2
BB	Assembled lock case,			
	L283-146 x XL11-543	Institution deadbolt ‡	•	
	L283-183 x XL11-543	Institution deadbolt ‡		•
CC	L583-066	Mounting trim screws, wood/metal door x rose/escutcheon x knob/lever	2	2
DD	L583-195	Compression springs	2	2
EE	L583-212	Mounting posts, L	2	
	L583-497	Mounting posts, LV		2
HH	L583-321	Inside knob mounting plate	•	•
II	L583-322	Outside lever spacer	2	

‡ Not sold separately as a part.

Trim assemblies

Prison lock trim

L9485 x XL11-557



Notes: Standard full face mortise cylinder shown.
Available with knob x rose trim only.
Furnished with tamper-resistant Torx® screws.

Trim assemblies

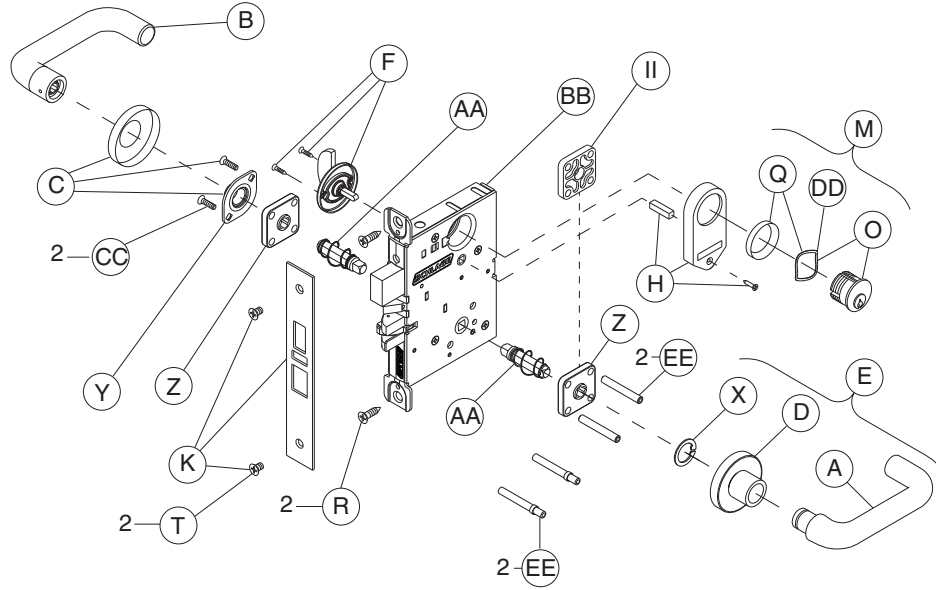
	P/N	Description
A	09-401	Outside knob and lever
B	09-402	Inside knob and lever
C	09-403	Inside rose
D	09-404	Outside rose and bushing
E	09-506	Outside rose and knob/lever: All designs except AST, AVA, MER
K	09-666	1¼" armor front x Schlage logo, latch, auxiliary latch and deadbolt
M	30-002	Full face cylinder with compression ring and spring, clover leaf cam, hotel (handed)
O	30-022	Full face cylinder with compression spring, clover leaf cam, hotel (handed)
Q	36-083	Compression ring and spring
R	C203-736	Case mounting screw pack
T	K110-020	Armor screw pack
U	K110-550	Knob truarc rings and spacer pack
AA	L283-060	Spindle and spring
	XL11-766	Free spinning spindle and spring (inside) ‡
BB	XL11-557	Prison ‡
CC	L583-066	Mounting trim screws, wood/metal door x rose/escutcheon x knob/lever (qty 2)
DD	L583-195	Compression spring
EE	L583-212	Mounting posts, L (qty 2)
HH	L583-321	Inside knob mounting plate

‡ Not sold separately as a part.

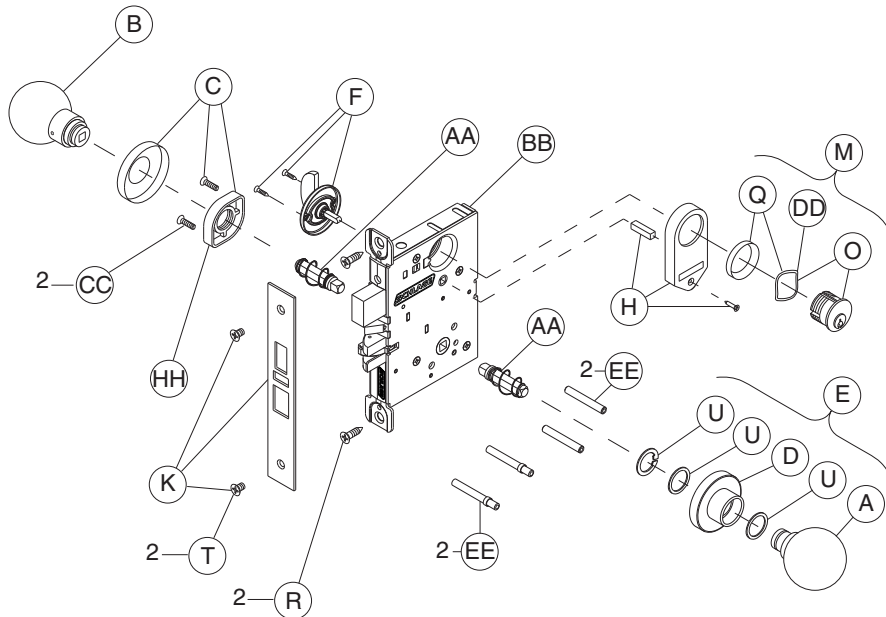
Hotel with indicator trim

L9486, LV9486, L9486 x L583-375, LV9486 x L583-375, L9496, LV9496

Levers



Knobs



Notes: L9496 and LV9496 lock functions have a latch and deadbolt. Lock case and armor front shown with latch, auxiliary latch, and deadbolt. Standard full face mortise cylinder shown.

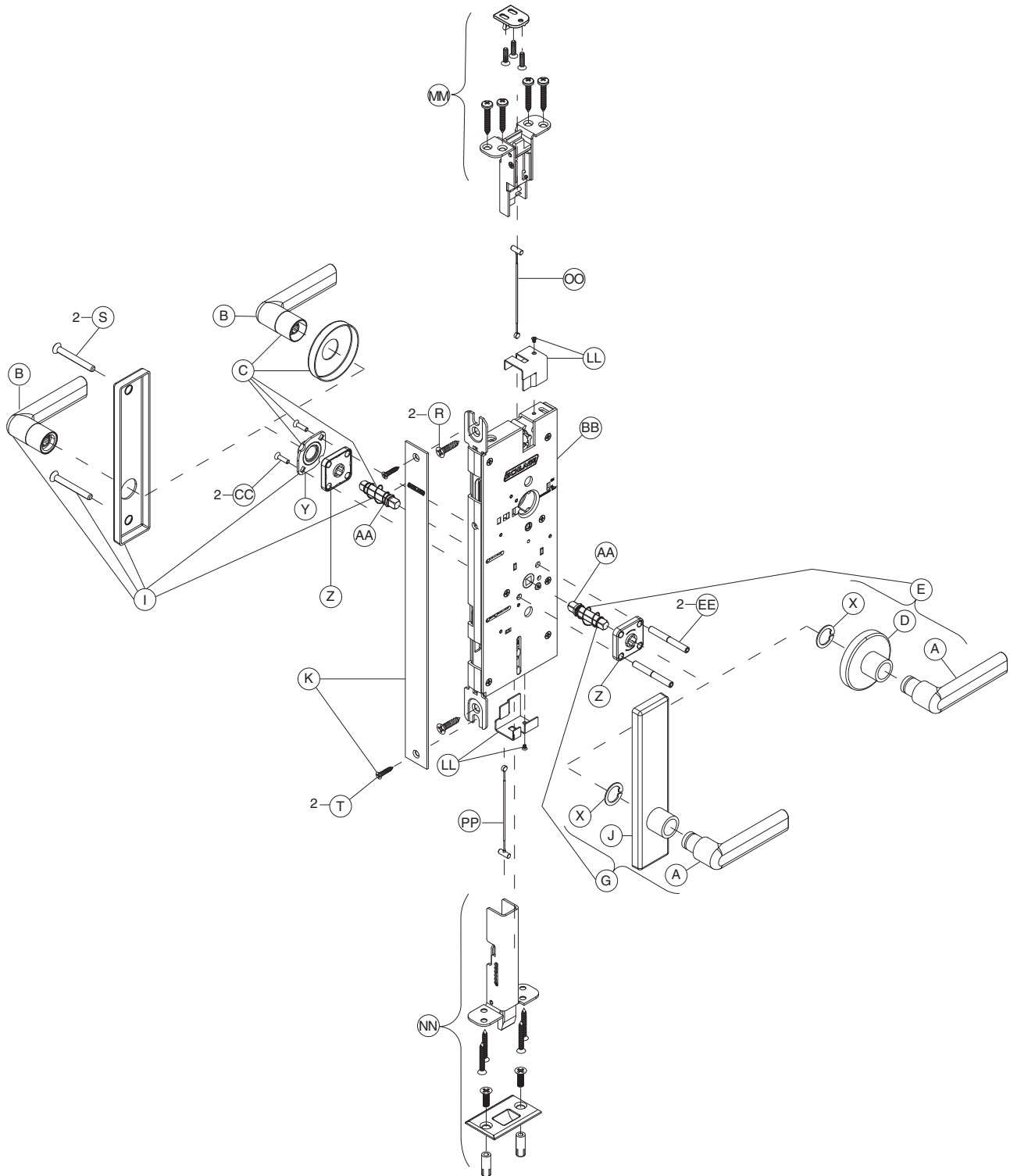
Trim assemblies

	P/N	Description	09-611	09-611	09-611	09-611
A	09-401	Outside knob and lever	*	*	*	*
B	09-402	Inside knob and lever	*	*	*	*
C	09-403	Inside rose	*	*	*	*
D	09-404	Outside rose and bushing	*	*	*	*
E	Outside rose and knob/lever:					
	09-506	All designs except AST, AVA, MER	*	*	*	*
	09-655	AST, AVA, MER	*	*	*	*
F	09-544	Thumbturn	*	*	*	*
K	09-664	1¼" armor front x Schlage logo, latch and deadbolt	*	*	*	*
	09-666	1¼" armor front x Schlage logo, latch, auxiliary latch and deadbolt	*	*	*	*
M	30-001	Full face cylinder with compression ring and spring , clover leaf cam	*	*	*	*
	30-002	Full face cylinder with compression ring and spring , hotel (handed)	*	*	*	*
O	30-021	Full face cylinder with compression spring , clover leaf cam	*	*	*	*
	30-022	Full face cylinder with compression spring , hotel (handed)	*	*	*	*
Q	36-083	Compression ring and spring	*	*	*	*
R	C203-736	Case mounting screw pack	*	*	*	*
T	K110-020	Armor screw pack	*	*	*	*
U	K110-550	Knob truarc rings and spacer pack	*	*	*	*
X	L283-030	Lever truarc rings	*	*	*	*
Y	L283-031	Inside lever mounting plate	*	*	*	*
Z	L283-040	Lever spring cage	*	2	2	2
AA	L283-060	Spindle and spring	2	2	2	2
BB	Assembled lock case,					
	L283-138	Corridor, classroom security x deadbolt	*	*	*	*
	L283-141	Storeroom/faculty restroom	*	*	*	*
	L283-177	Corridor, classroom security x deadbolt, LV	*	*	*	*
	L283-178	Storeroom/faculty restroom, LV	*	*	*	*
CC	L583-066	Mounting trim screws, wood/metal door x rose/escutcheon x knob/lever	2	2	2	2
DD	L583-195	Compression spring	*	*	*	*
EE	L583-212	Mounting posts, L	2	2	2	2
	L583-497	Mounting posts, LV	*	2	2	2
HH	L583-321	Inside knob mounting plate	*	*	*	*
II	L583-322	Outside lever spacer	*	*	*	*

* Available with "occupied" indicator option. Specify 09-611 x L583-375.

Passage and electrically locked/unlocked, two-point latch trim

LM9210, LM9290 EL/EU, LM9291 EL/EU



Notes: Bottom latch and cable are optional (lock may be ordered less bottom latch (LBL)).
LM9290 EL/EU and LM9291 EL/EU lock functions have wiring for electric motor. Lock case shown without electrified option.
LM9291 EL/EU lock function has double dummy spindle and spring (item AA on parts chart, page 85).

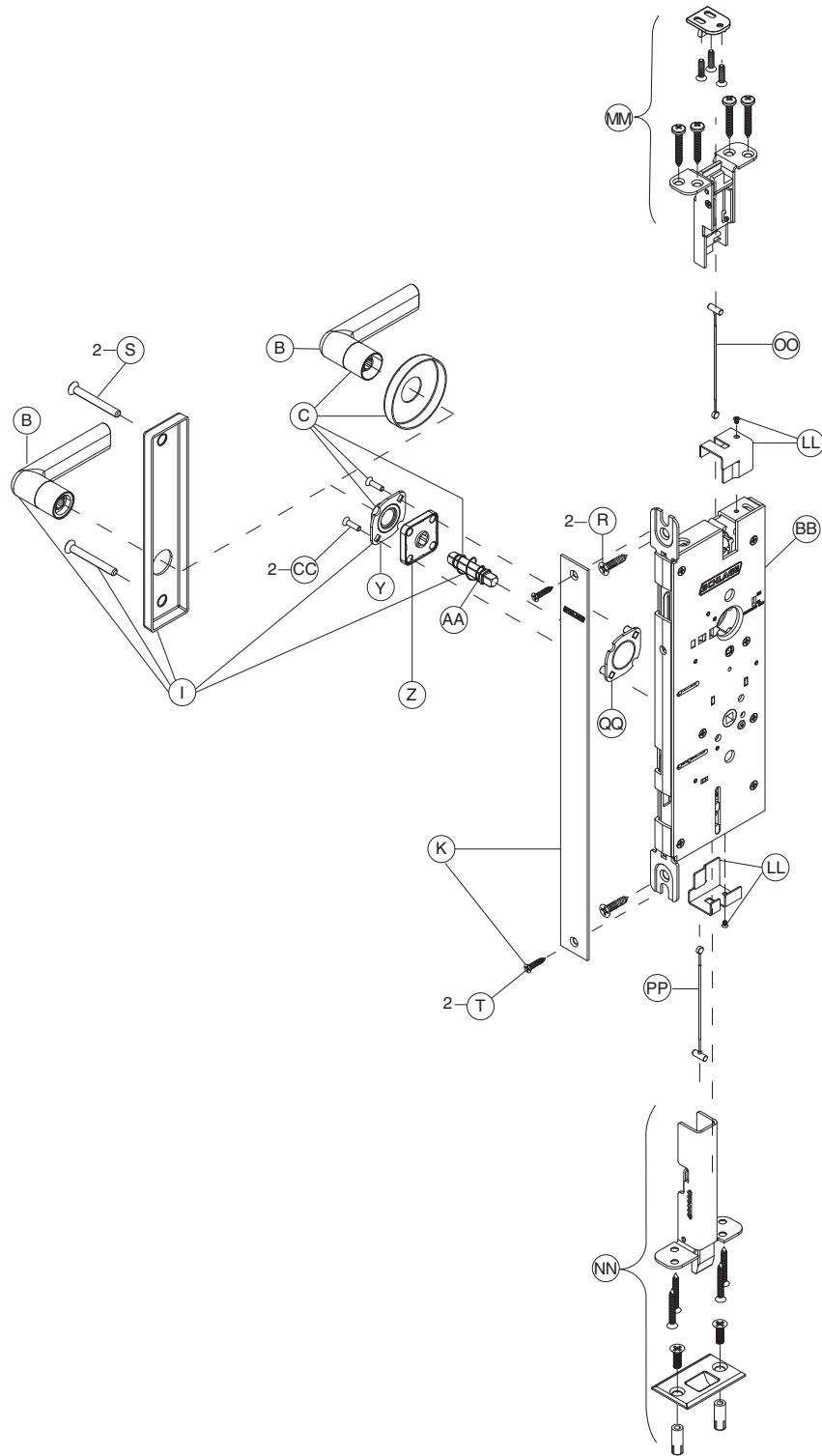
Trim assemblies

	P/N	Description	LM9210	LM9290 EL/EU	LM9291 EL/EU
A	09-401	Outside lever	•	•	•
B	09-402	Inside lever	•	•	•
C	09-403	Inside rose	•	•	•
D	09-404	Outside rose and bushing	•	•	•
E	Outside rose and lever:				
	09-506	All designs except AST, AVA, MER	•	•	•
	09-655	AST, AVA, MER	•	•	•
G	09-550	Outside escutcheon x lever (except 93 lever) L and N x blank	•	•	•
I	09-632	Inside escutcheon for lever, L and N x blank	•	•	•
J	09-636	Outside escutcheon and bushing x lever except 93 lever, L and N x blank	•	•	•
K	24771248	1¼" armor front x Schlage logo	•	•	•
R	C203-736	Case mounting screw pack	•	•	•
S	Escutcheon thru-bolts/screws:				
	K510-389	N escutcheon	2	2	2
	L583-120	L escutcheon	2	2	2
T	K110-020	Armor screw pack	•	•	•
X	L283-030	Lever truarc rings	•	•	•
Y	L283-031	Inside lever mounting plate	•	•	•
Z	L283-040	Lever spring cage	2	2	2
AA	L283-060	Spindle and spring	2	2	
	L283-064	Spindle and spring double dummy			•
BB	Assembled lock case:				
	24759599	Passage for two point latch	•		
	24759656	Electrically locked or unlocked outside, for two point latch		•	
	24759664	Electrically locked or unlocked both sides, for two point latch			•
CC	L583-066	Mounting trim screws, wood/metal door x rose/escutcheon x lever except single dummy	2	2	2
EE	L583-212	Mounting posts	2	2	2
LL	24871584	Latch cover (qty 2)	•	•	•
MM	24721714	Top latch assembly	•	•	•
NN	24721722	Bottom latch assembly	•	•	•
OO	24691750	Top cable, door range 6'8" - 7'0" *	•	•	•
PP	24647265	Bottom cable	•	•	•

* For additional door range options, see "LM9200 Series two point lock" on page 185.

Outside lever only, two-point latch trim

LM9225



Note: Bottom latch and cable are optional (lock may be ordered less bottom latch (LBL)).

Trim assemblies

	P/N	Description
B	09-402	Inside lever
C	09-403	Inside rose
K	24771248	1¼" armor front x Schlage logo
R	C203-736	Case mounting screw pack
S	L583-120	Escutcheon thru-bolts/screws, L escutcheon
T	K110-020	Armor screw pack
Y	L283-031	Inside lever mounting plate
Z	L283-040	Lever spring cage
AA	L283-060	Spindle and spring
BB	24759599	Assembled lock case, passage/exit for two point latch
CC	L583-066	Mounting trim screws, wood/metal door x rose/escutcheon x lever (except single dummy) (qty 2)
LL	24871584	Latch cover (qty 2)
MM	24721714	Top latch assembly
NN	24721722	Bottom latch assembly
OO	24691750	Top cable, door range 6'8" - 7'0" **
PP	24647265	Bottom cable
QQ	L283-151*	Mounting plate

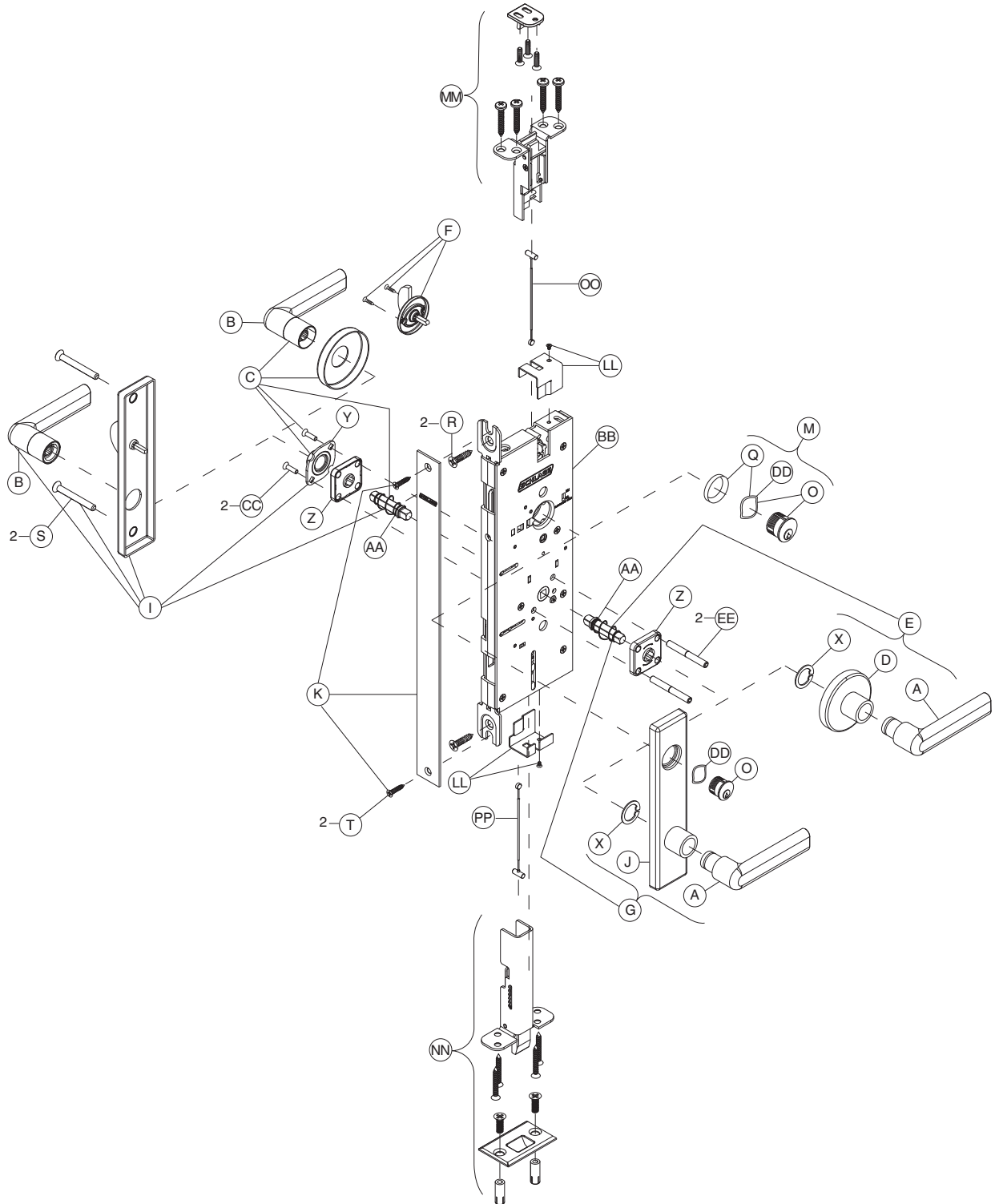
* L283-151 part number for reference only. To order mounting plate, order by part number L283-150.

** For additional door range options , see "LM9200 Series two point lock" on page 185.

Trim assemblies

Cylinder x turn, two-point latch trim

LM9250, LM9256



Note: Bottom latch and cable are optional (lock may be ordered less bottom latch (LBL)).

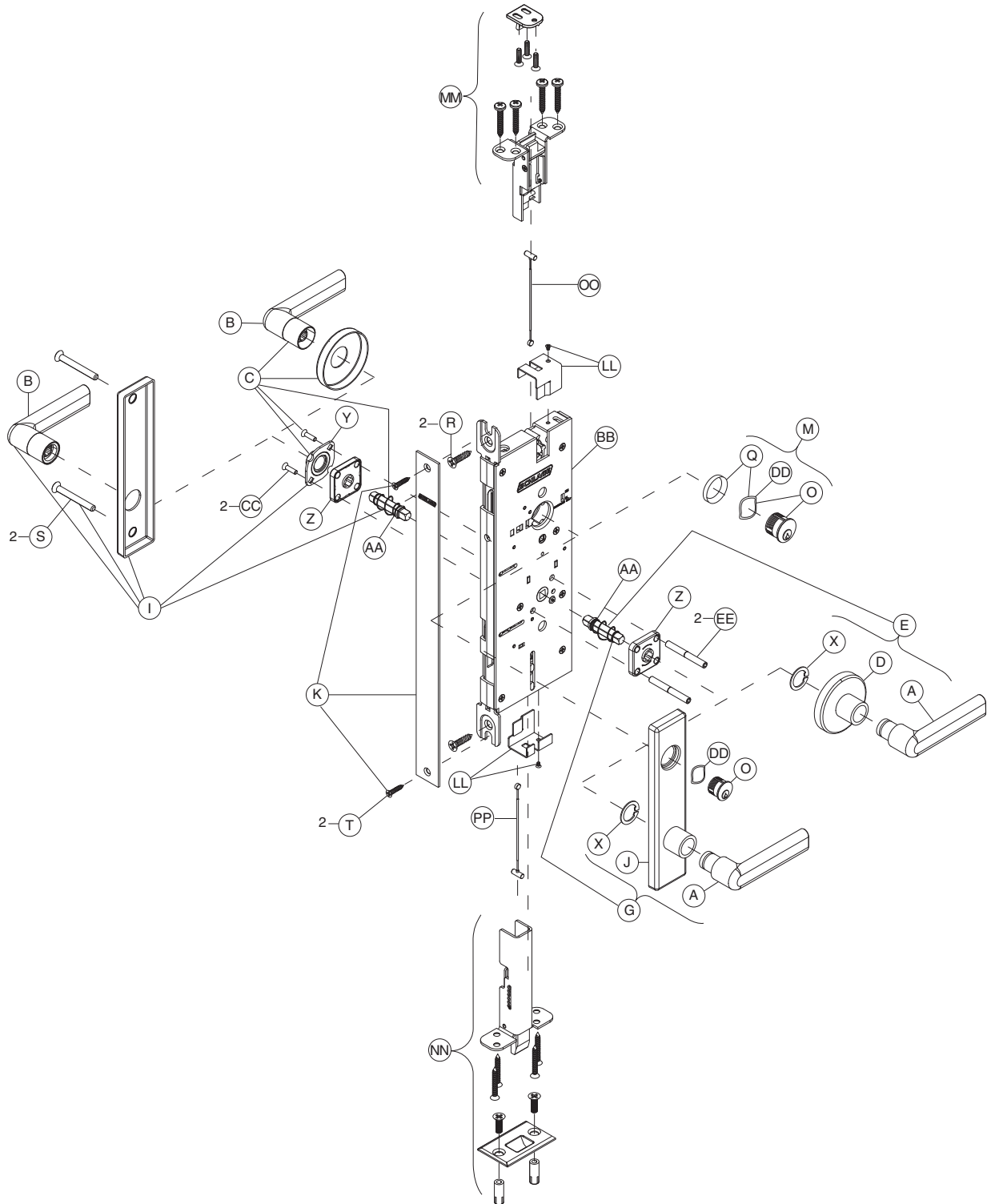
Trim assemblies

	P/N	Description	LM9250	LM9256
A	09-401	Outside lever	•	•
B	09-402	Inside lever	•	•
C	09-403	Inside rose	•	•
D	09-404	Outside rose and bushing	•	•
E	Outside rose and lever:			
	09-506	All designs except AST, AVA, MER	•	•
	09-655	AST, AVA, MER	•	•
F	09-544	Thumbturn	•	•
G	09-553	Outside escutcheon x lever (except 93 lever), L and N x full face cylinder	•	•
I	09-548	Inside escutcheon for lever, L x thumbturn	•	•
	09-642	Inside escutcheon for lever, N x thumbturn	•	•
J	09-639	Outside escutcheon and bushing x lever (except 93 lever), L and N x full face cylinder	•	•
	09-652	Outside N escutcheon and bushing x 93 lever, full face cylinder	•	•
K	24771248	1¼" armor front x Schlage logo		
M	30-001	Full face cylinder with compression ring and spring – clover leaf cam	•	•
O	30-021	Full face cylinder with compression spring – clover leaf cam	•	•
Q	36-083	Compression ring and spring	•	•
R	C203-736	Case mounting screw pack	•	•
S	Escutcheon thru-bolts/screws:			
	K510-389	N escutcheon	2	2
	L583-120	L escutcheon	2	2
T	K110-020	Armor screw pack	•	•
X	L283-030	Lever truarc rings	•	•
Y	L283-031	Inside lever mounting plate	•	•
Z	L283-040	Lever spring cage	2	2
AA	L283-060	Spindle and spring	2	2
BB	Assembled lock case:			
	24759623	Office/entry for two point latch	•	•
	24616914	Office/entry with automatic unlocking for two point latch		•
CC	L583-066	Mounting trim screws, wood/metal door x rose/escutcheon x lever (except single dummy)	2	2
DD	L583-195	Compression spring	•	•
EE	L583-212	Mounting posts, L	2	2
LL	24871584	Latch cover (qty 2)	•	•
MM	24721714	Top latch assembly	•	•
NN	24721722	Bottom latch assembly	•	•
OO	24691750	Top cable, door range 6'8" - 7'0" *	•	•
PP	24647265	Bottom cable	•	•

* For additional door range options, see "LM9200 Series two point lock" on page 185.

Outside cylinder and electrically locked/unlocked outside cylinder, two-point latch trim

LM9270, LM9280, LM9292 EL/EU, LM9293 EL/EU



Notes: Bottom latch and cable are optional (lock may be ordered less bottom latch (LBL)).
 LM9292 EL/EU and LM9293 EL/EU lock functions have wiring for electric motor. Lock case shown without electrified option.
 LM9293 EL/EU lock function has double dummy spindle and spring (item AA on parts chart, page 91).

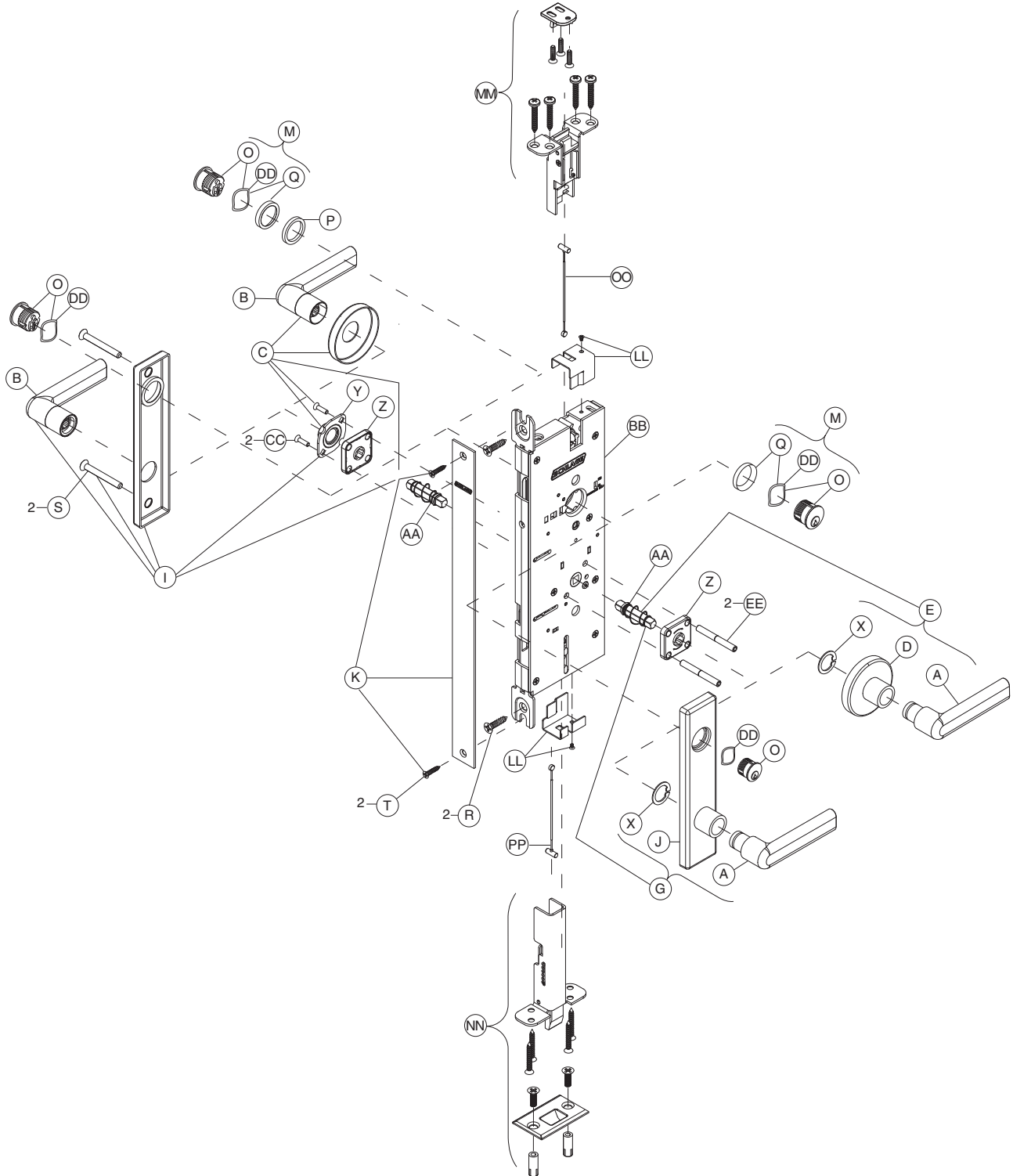
Trim assemblies

	P/N	Description	LM9270	LM9280	LM9292 EL/EU	LM9293 EL/EU
A	09-401	Outside lever
B	09-402	Inside lever
C	09-403	Inside rose
D	09-404	Outside rose and bushing
E	Outside rose and lever:					
	09-506	All designs except AST, AVA, MER
	09-655	AST, AVA, MER
G	09-553	Outside escutcheon x lever (except 93 lever), L and N x full face cylinder
i	09-632	Inside escutcheon for lever, L and N x blank
J	09-639	Outside escutcheon and bushing x lever (except 93 lever), L and N x full face cylinder
	09-652	Outside escutcheon and bushing x 93 lever, full face cylinder
K	24771248	1¼" armor front x Schlage logo
M	30-000	Full face cylinder with compression ring and spring , clover leaf cam
	30-001	Full face cylinder with compression ring and spring , clover leaf cam
O	30-019	Full face cylinder with compression spring , clover leaf cam
	30-021	Full face cylinder with compression spring , clover leaf cam
P	36-082	Blocking ring
Q	36-083	Compression ring and spring
R	C203-736	Case mounting screw pack
S	Escutcheon thru-bolts/screws:					
	K510-389	N escutcheon	2	2	2	2
	L583-120	L escutcheon	2	2	2	2
T	K110-020	Armor screw pack
X	L283-030	Lever truarc rings
Y	L283-031	Inside lever mounting plate
Z	L283-040	Lever spring cage	2	2	2	2
AA	L283-060	Spindle and spring	2	2	2	.
	L283-064	Spindle and spring double dummy				.
BB	Assembled lock case:					
	24759623	Classroom/storeroom for two point latch
	24759656	Electrically locked or unlocked outside, cylinder one side, for two point latch			.	.
	24759664	Electrically locked or unlocked both sides, cylinder one side, for two point latch			.	.
CC	L583-066	Mounting trim screws, wood/metal door x rose/escutcheon x lever	2	2	2	2
DD	L583-195	Compression springs
EE	L583-212	Mounting posts	2	2	2	2
LL	24871584	Latch cover (qty 2)
MM	24721714	Top latch assembly
NN	24721722	Bottom latch assembly
OO	24691750	Top cable, door range 6'8" - 7'0" *
PP	24647265	Bottom cable

* For additional door range options , see "LM9200 Series two point lock" on page 185.

Double cylinder and electrically locked/unlocked outside cylinder, two-point latch trim

LM9271, LM9294 EL/EU, LM9295 EL/EU



Notes: Bottom latch and cable are optional (lock may be ordered less bottom latch (LBL)).
 LM9294 EL/EU and LM9295 EL/EU lock functions have wiring for electric motor. Lock case shown without electrified option.
 LM9295 EL/EU lock function has double dummy spindle and spring (item AA on parts chart, page 93).

Trim assemblies

	P/N	Description	LM9271	LM9294 EL/EU	LM9295 EL/EU
A	09-401	Outside lever	.	.	.
B	09-402	Inside lever	.	.	.
C	09-403	Inside rose	.	.	.
D	09-404	Outside rose and bushing	.	.	.
E	Outside rose and lever:				
	09-506	All designs except AST, AVA, MER	.	.	.
	09-655	AST, AVA, MER	.	.	.
G	09-553	Outside escutcheon x lever (except 93 lever), L and N x full face cylinder	.	.	.
i	09-632	Inside escutcheon for lever, L and N x blank	.	.	.
J	09-639	Outside escutcheon and bushing x lever (except 93 lever), L and N x full face cylinder	.	.	.
	09-652	Outside escutcheon and bushing x 93 lever, full face cylinder	.	.	.
K	24771248	1¼" armor front x Schlage logo	.	.	.
M	30-001	Full face cylinder with compression ring and spring , clover leaf cam	2	2	2
O	30-021	Full face cylinder with compression spring , clover leaf cam	2	2	2
P	36-082	Blocking ring	.	.	.
Q	36-083	Compression ring and spring	.	.	.
R	C203-736	Case mounting screw pack	.	.	.
S	Escutcheon thru-bolts/screws:				
	K510-389	N escutcheon	2	2	2
	L583-120	L escutcheon	2	2	2
T	K110-020	Armor screw pack	.	.	.
X	L283-030	Lever truarc rings	.	.	.
Y	L283-031	Inside lever mounting plate	.	.	.
Z	L283-040	Lever spring cage	2	2	2
AA	L283-060	Spindle and spring	2	2	
	L283-064	Spindle and spring double dummy			.
BB	Assembled lock case:				
	24759623	Classroom security for two point latch	.		
	24759656	Electrically locked or unlocked outside, cylinder both sides, for two point latch		.	
	24759664	Electrically locked or unlocked both sides, cylinder both sides, for two point latch			.
CC	L583-066	Mounting trim screws, wood/metal door x rose/escutcheon x lever	2	2	2
DD	L583-195	Compression springs	.	.	.
EE	L583-212	Mounting posts	2	2	2
LL	24871584	Latch cover (qty 2)	.	.	.
MM	24721714	Top latch assembly	.	.	.
NN	24721722	Bottom latch assembly	.	.	.
OO	24691750	Top cable, door range 6'8" - 7'0" *	.	.	.
PP	24647265	Bottom cable	.	.	.

* For additional door range options , see "LM9200 Series two point lock" on page 185.

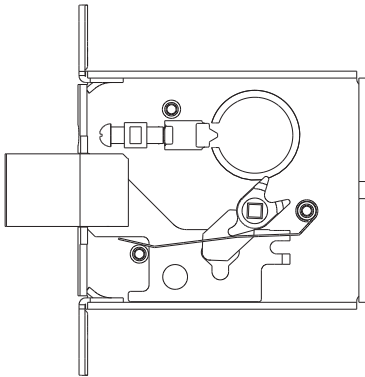
Lock case assemblies

95	L460, L462, L463, L464, L480, L496	145	L9485 x XL11-557
96	L9010	146	LM9210, LM9225
97	L9025	147	LM9256
98	L9026	148	LM9250, LM9270, LM9271, LM9280
99	LM9310, LM9325	149	LM9290 EL/EU, LM9292 EL/EU, LM9294 EL/EU
100	L9040, L9040 x XL11-446, L9044	150	LM9291 EL/EU, LM9293 EL/EU, LM9295 EL/EU
101	LV9040, LV9040 x XL11-446, LV9044	151	Lock case assembly compatibility
102	L9050, L9060, L9066 x XL11-897, L9070, L9071		
103	LV9050, LV9060, LV9070, LV9071		
104	LM9350, LM9370, LM9371		
105	LMV9350, LMV9370, LMV9371		
106	L9056		
107	LV9056		
108	L9076, L9077		
109	LV9076, LV9077		
110	L9080		
111	LV9080		
112	LM9380		
113	LMV9380		
114	L9081		
115	LV9081		
116	L9082		
117	LV9082		
118	L9090EL/EU, L9092EL/EU, L9094EL/EU		
119	LV9090EL/EU, LV9092EL/EU, LV9094EL/EU		
120	L9091 EL/EU, L9093 EL/EU, L9095 EL/EU		
121	LV9091 EL/EU, LV9093 EL/EU, LV9095 EL/EU		
122	L9492 EL/EU, L9494 EL/EU		
123	LV9492 EL/EU, LV9494 EL/EU		
124	L9493 EL/EU, L9495 EL/EU		
125	LV9493 EL/EU, LV9495 EL/EU		
126	L9110 x XL11-741		
127	L9175		
128	L9176		
129	L9440, L9444		
130	LV9440, LV9444		
131	L9453		
132	LV9453		
133	L9456, L9457, L9496		
134	LV9456, LV9457, LV9496		
135	L9458		
136	LV9458		
137	L9460, L9462, L9463, L9464		
138	L9460 x XL11-635		
139	L9460, L9462, and L9464 x XL11-886		
140	L9465, L9466, L9473		
141	L9480, L9485, L9486, L9486 x L583-375, L9412 x XL11-907		
142	LV9480, LV9485, LV9486, LV9486 x L583-375		
143	L9482 x XL11-543		
144	LV9482 x XL11-543		

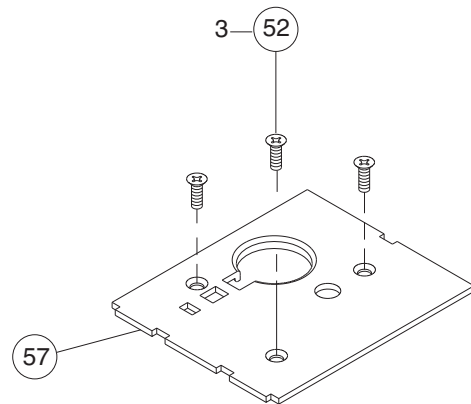
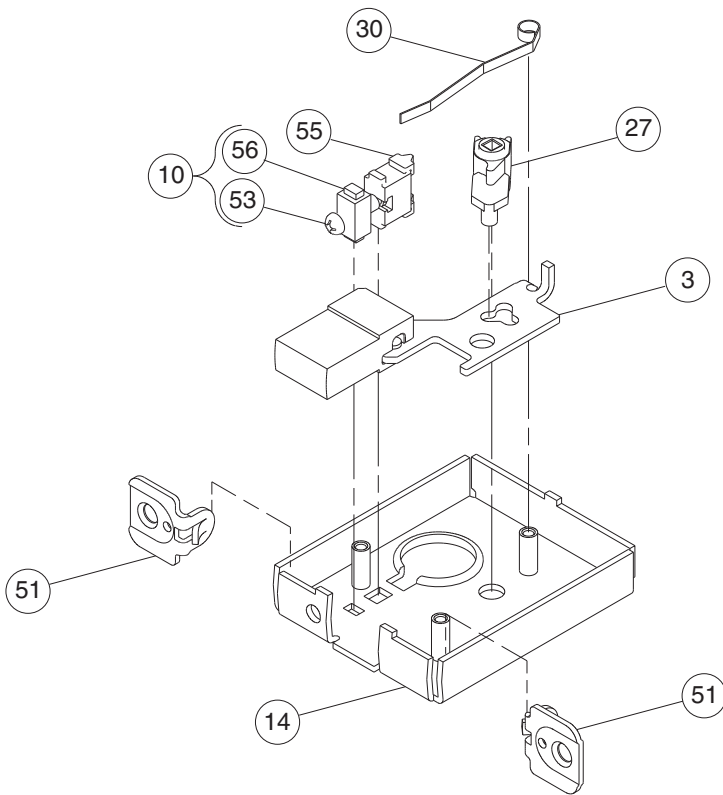
Lock case assemblies

L460, L462, L463, L464, L480, L496

Assembled Lock Case L283-099



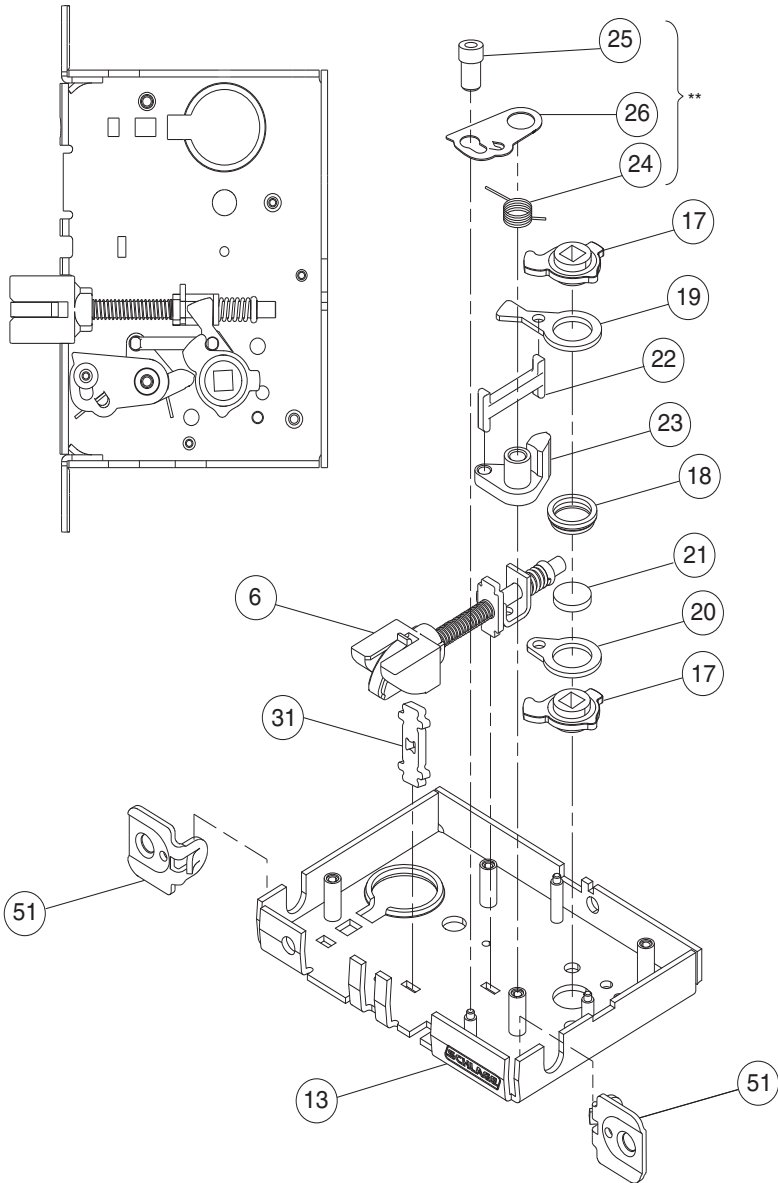
Number	Description	Part Number
3	Deadbolt	L283-003
10	Cylinder Plate & Screw	L283-055
14	L400 Lock Case	L283-128
27	Turn Hub	L583-029
30	Turn Hub Spring	L583-035
51	1¼" Faceplate Tab	L583-426
52	Case Cover Screws	L583-454
53	Cylinder Retainer Screw	L583-481
55	Cylinder Retainer	L583-490
56	Screw Plate	L583-492
57	Lock Case Cover	L583-494



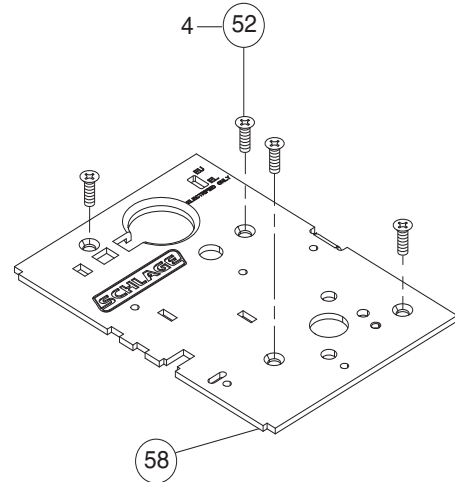
Lock case assemblies

L9010

Assembled Lock Case L283-131



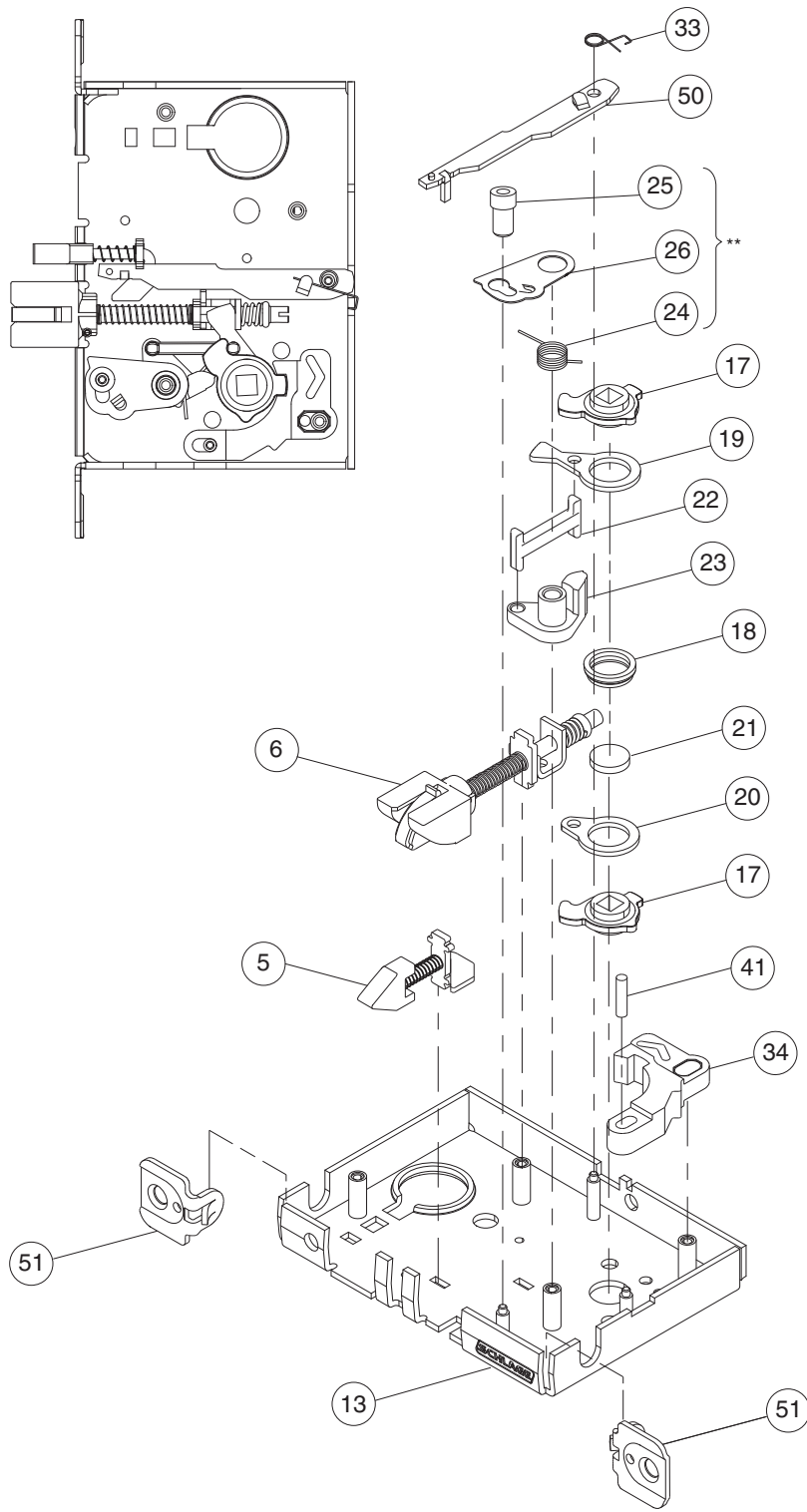
Number	Description	Part Number
6	Latchbolt	L283-008
13	L9000 Lock Case	L283-112
17	Retractor Hub	L583-748
18	Hub Spacer	L583-020
19	Retractor Lever	L583-021
20	Retractor Rocker	L583-022
21	Blocking Plate	L583-023
22	Retractor Link	L583-024
23	Retractor Crank	L583-025
24	Hub Spring	L583-026
25	Fire Door Fuse	L583-027
26	Fire Door Catch	L583-028
31	Auxiliary Bar Guide	L583-038
51	1 1/4" Faceplate Tab	L583-426
52	Case Cover Screws	L583-454
58	Lock Case Cover	L583-496



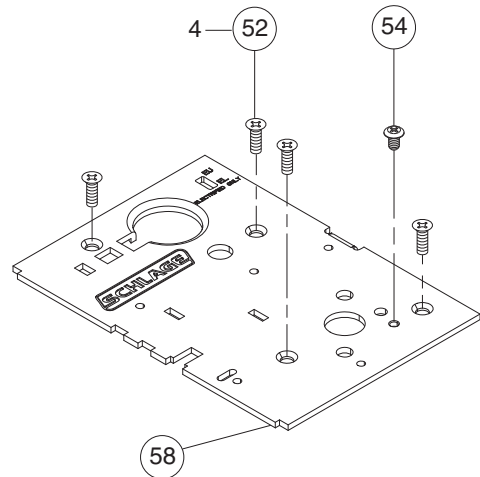
** See "Assembly of lock case parts" on page 152.

L9025

Assembled Lock Case L283-750



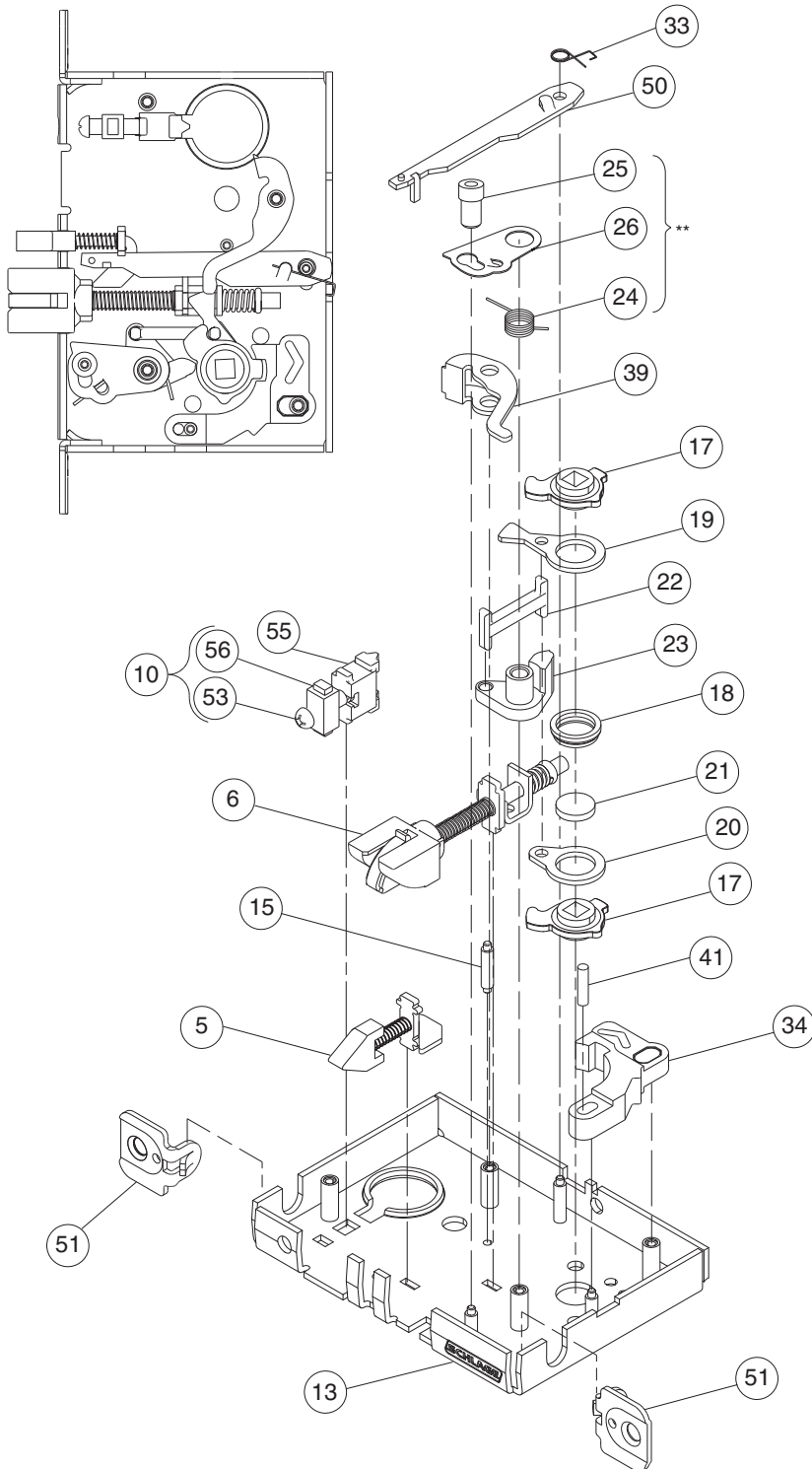
Number	Description	Part Number
5	Auxiliary Latchbolt	L283-006
6	Latchbolt	L283-008
13	L9000 Lock Case	L283-112
17	Retractor Hub	L583-748
18	Hub Spacer	L583-020
19	Retractor Lever	L583-021
20	Retractor Rocker	L583-022
21	Blocking Plate	L583-023
22	Retractor Link	L583-024
23	Retractor Crank	L583-025
24	Hub Spring	L583-026
25	Fire Door Fuse	L583-027
26	Fire Door Catch	L583-028
33	Stop Spring	L583-044
34	Locking Catch	L583-045
41	Catch Pin	L583-056
50	Auxiliary Stop	L583-196
51	1 1/4" Faceplate Tab	L583-426
52	Case Cover Screws	L583-747
54	Lock Handling Screw	L583-485
58	L9000 Lock Case Cover	L583-496



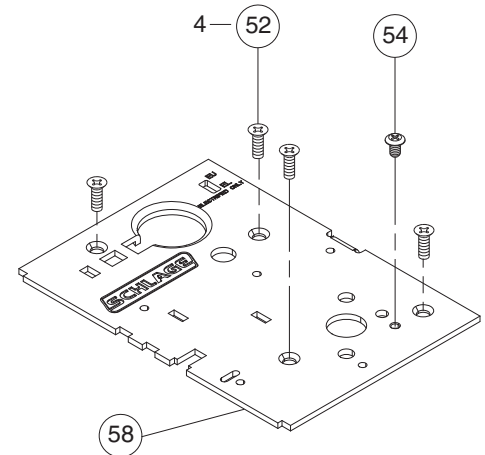
** See "Assembly of lock case parts" on page 152.

L9026

Assembled Lock Case L283-134



Number	Description	Part Number
5	Auxiliary Latchbolt	L283-006
6	Latchbolt	L283-008
10	Cylinder Plate & Screw	L283-055
13	L9000 Lock Case	L283-112
15	Standoff Post	L583-004
17	Retractor Hub	L583-748
18	Hub Spacer	L583-020
19	Retractor Lever	L583-021
20	Retractor Rocker	L583-022
21	Blocking Plate	L583-023
22	Retractor Link	L583-024
23	Retractor Crank	L583-025
24	Hub Spring	L583-026
25	Fire Door Fuse	L583-027
26	Fire Door Catch	L583-028
33	Stop Spring	L583-044
34	Locking Catch	L583-045
39	Transfer Lever	L583-051
41	Catch Pin	L583-056
50	Auxiliary Stop	L583-196
51	1/4" Faceplate Tab	L583-426
52	Case Cover Screws	L583-454
53	Cylinder Retainer Screw	L583-481
54	Lock Handing Screw	L583-485
55	Cylinder Retainer	L583-490
56	Screw Plate	L583-492
58	Lock Case Cover	L583-496

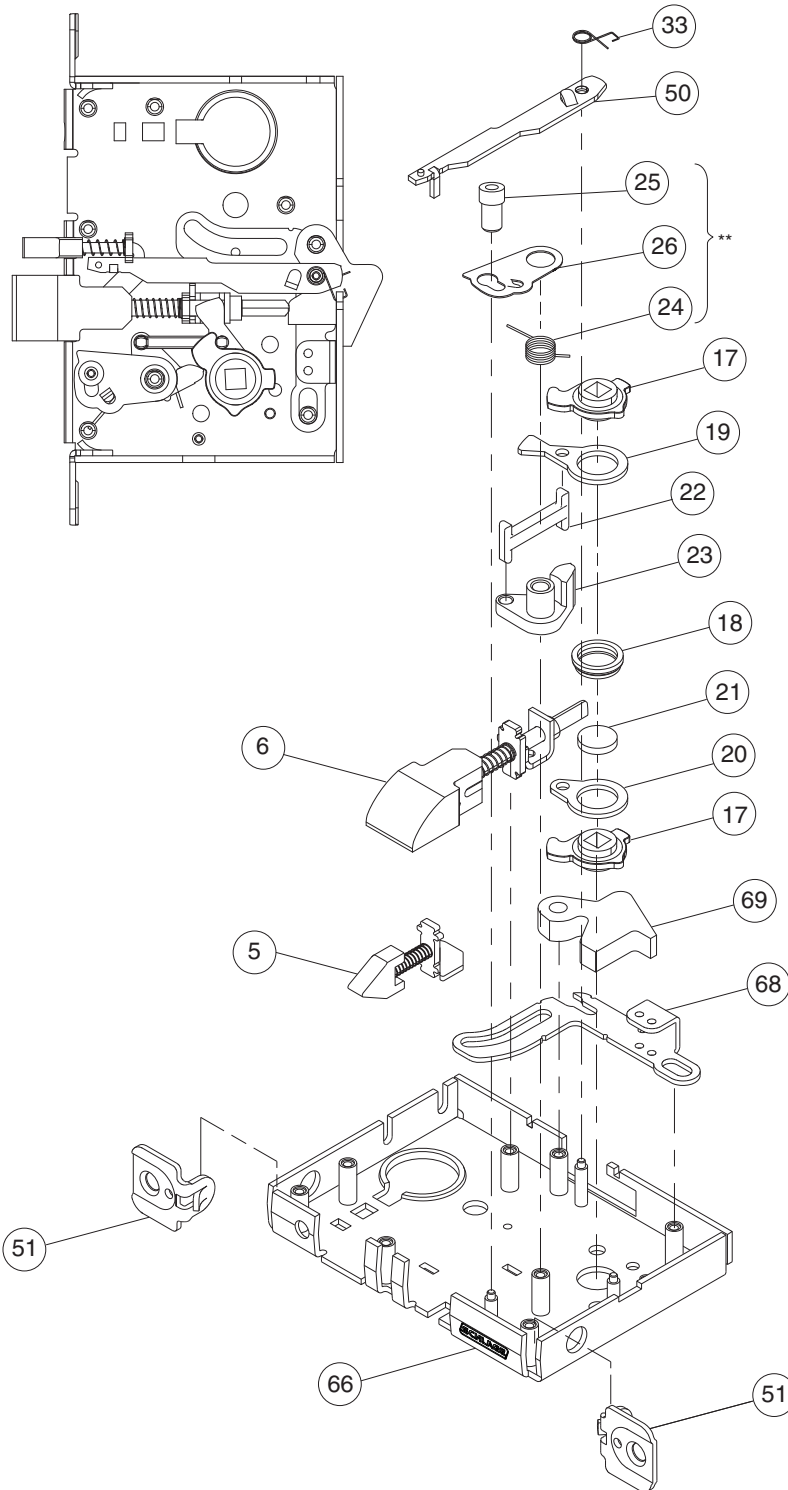


** See "Assembly of lock case parts" on page 152.

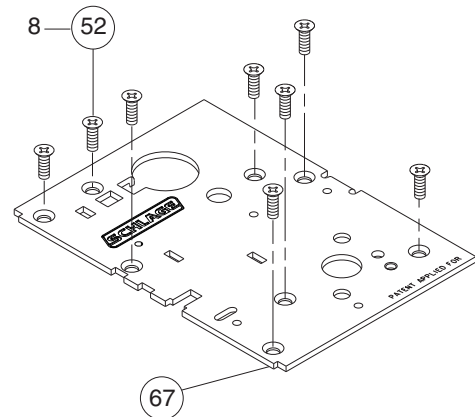
Lock case assemblies

LM9310, LM9325

Assembled Lock Case L283-314



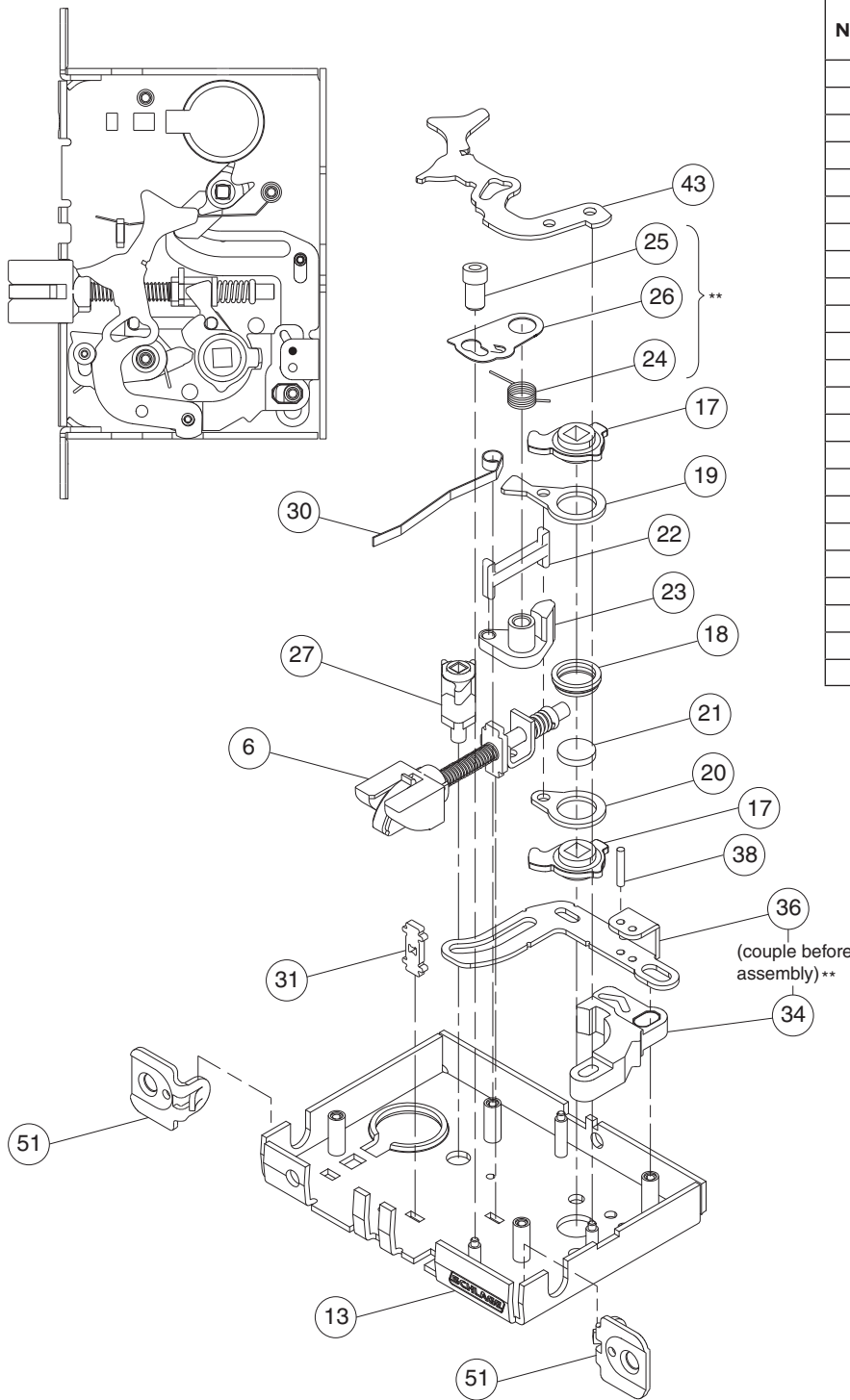
Number	Description	Part Number
5	Auxiliary Latchbolt	L283-006
6	Latchbolt	L283-324
17	Retractor Hub	L583-748
18	Hub Spacer	L583-020
19	Retractor Lever	L583-021
20	Retractor Rocker	L583-022
21	Blocking Plate	L583-023
22	Retractor Link	L583-024
23	Retractor Crank	L583-025
24	Hub Spring	L583-026
25	Fire Door Fuse	L583-027
26	Fire Door Catch	L583-028
33	Stop Spring	L583-044
50	Auxiliary Stop	L583-196
51	1¼" Faceplate Tab	L583-426
52	Case Cover Screws	L583-747
66	LM9000 Lock Case	L283-312
67	LM9000 Lock Case Cover	L583-491
68	Locking Link	L583-505
69	Lifter	L583-506



** See "Assembly of lock case parts" on page 152.

L9040, L9040 x XL11-446, L9044

Assembled Lock Case L283-132



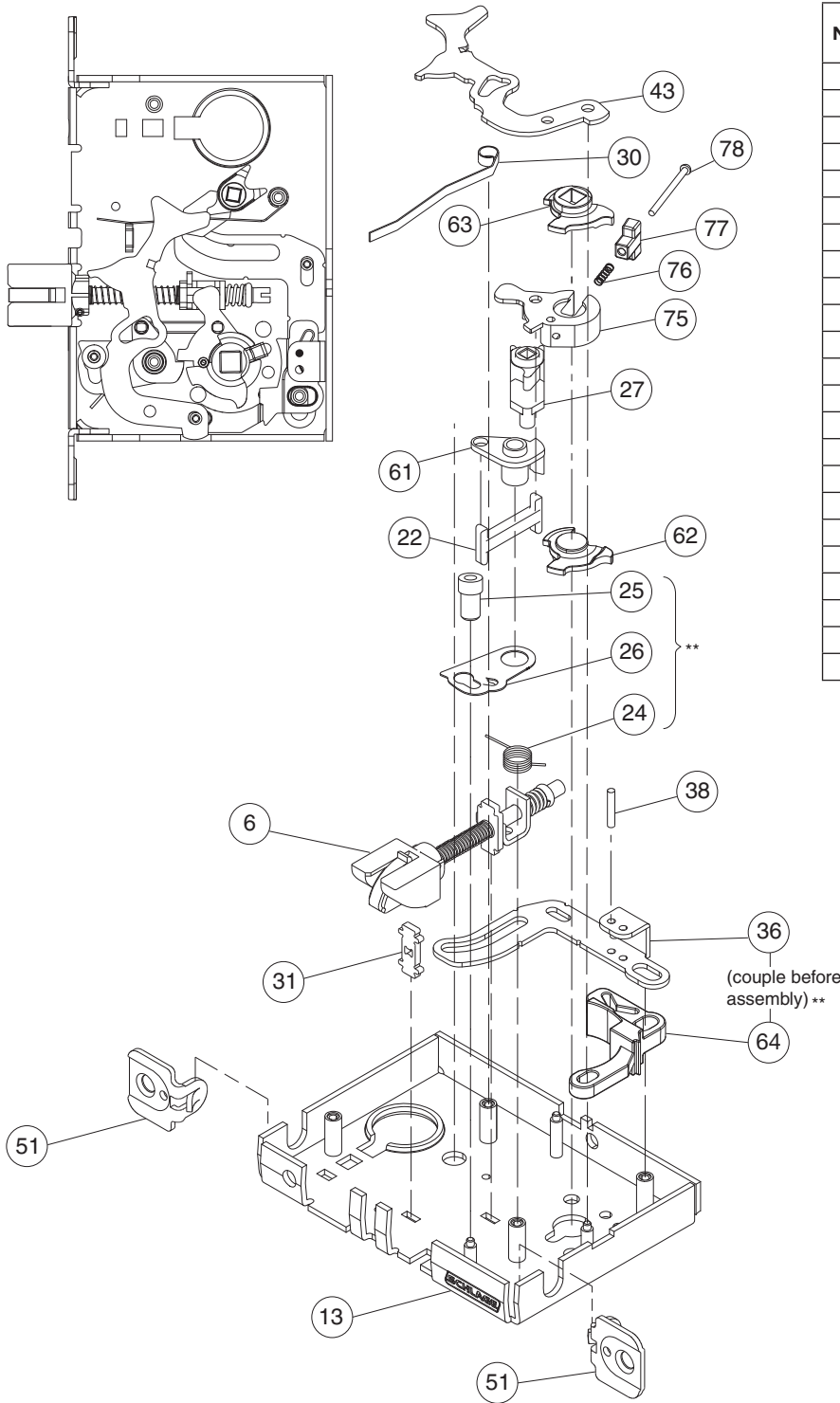
Number	Description	Part Number
6	Latchbolt	L283-008
13	L9000 Lock Case	L283-112
17	Retractor Hub	L583-748
18	Hub Spacer	L583-020
19	Retractor Lever	L583-021
20	Retractor Rocker	L583-022
21	Blocking Plate	L583-023
22	Retractor Link	L583-024
23	Retractor Crank	L583-025
24	Hub Spring	L583-026
25	Fire Door Fuse	L583-027
26	Fire Door Catch	L583-028
27	Turn Hub	L583-029
30	Turn Hub Spring	L583-035
31	Auxiliary Bar Guide	L583-038
34	Locking Catch	L583-045
36	Locking Link	L583-048
38	Link Pin	L583-050
43	Simultaneous Retractor	L583-058
51	1 1/4" Faceplate Tab	L583-426
52	Case Cover Screws	L583-454
54	Lock Handling Screw	L583-485
58	Lock Case Cover	L583-496

** See "Assembly of lock case parts" on page 152.

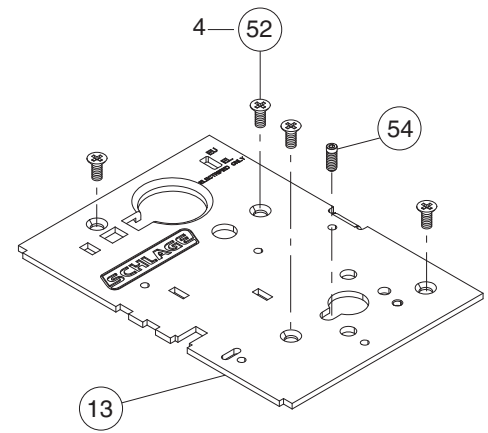
Lock case assemblies

LV9040, LV9040 x XL11-446, LV9044

Assembled Lock Case L283-602



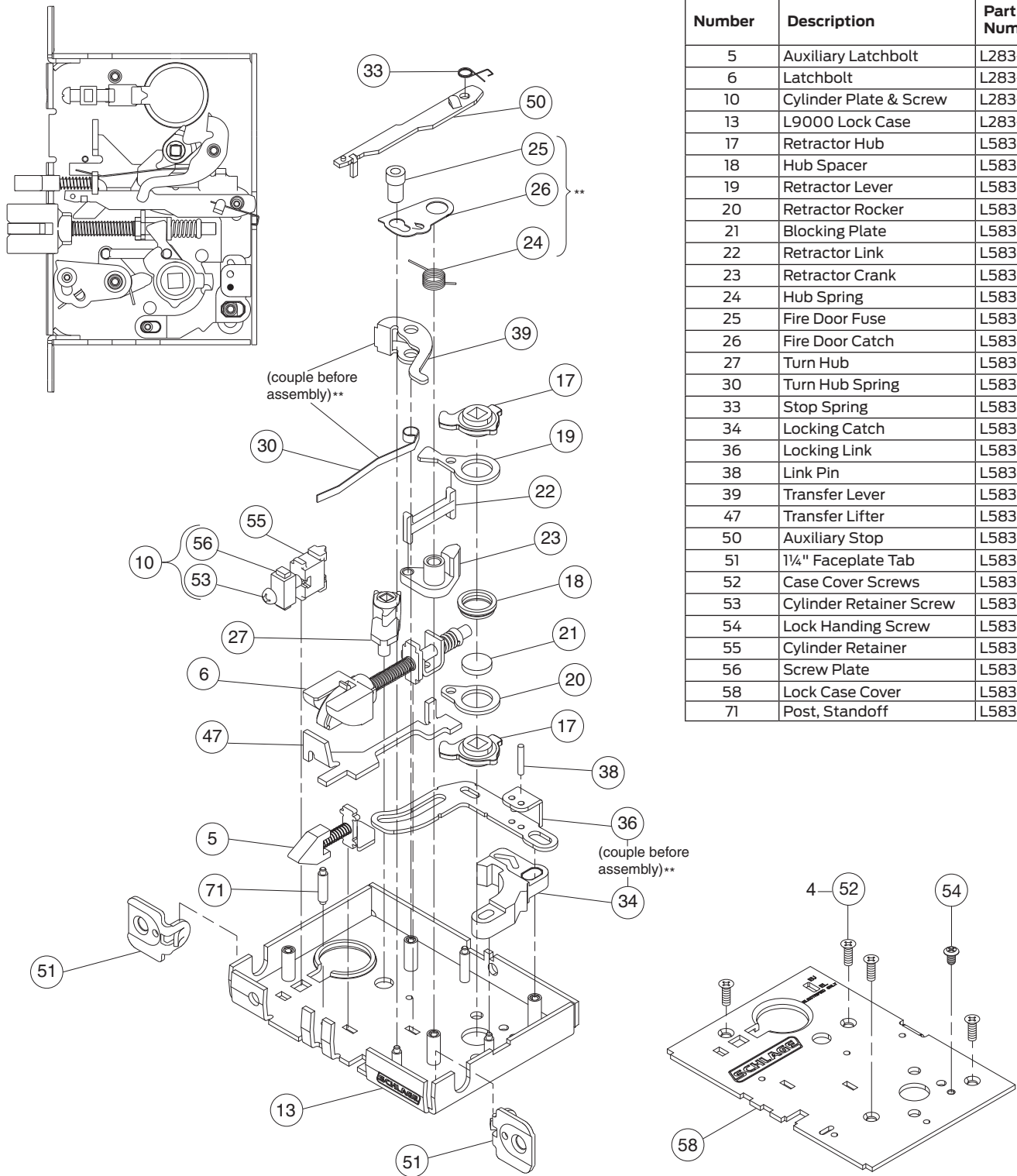
Number	Description	Part Number
6	Latchbolt	L283-008
13	LV9000 Lock Case, Cover	L283-594
22	Retractor Link	L583-024
24	Hub Spring	L583-026
25	Fire Door Fuse	L583-027
26	Fire Door Catch	L583-028
27	Turn Hub	L583-029
30	Turn Hub Spring	L583-035
31	Auxiliary Bar Guide	L583-038
36	Locking Link	L583-048
38	Link Pin	L583-050
43	Simultaneous Retractor	L583-058
51	1¼" Faceplate Tab	L583-426
52	Case Cover Screws	L583-454
54	Lock Handing Screw	L583-902
61	Crank Retractor	L583-383
62	Bottom Hub	L583-765
63	Top Hub	L583-767
64	Retractor Catch	L583-769
75	Lever, Retractor	L583-768
76	Spring, Compression	L583-388
77	Locker	L583-764
78	Pin, Pusher	L583-778



** See "Assembly of lock case parts" on page 152.

L9050, L9060, L9066 x XL11-897, L9070, L9071

Assembled Lock Case L283-133



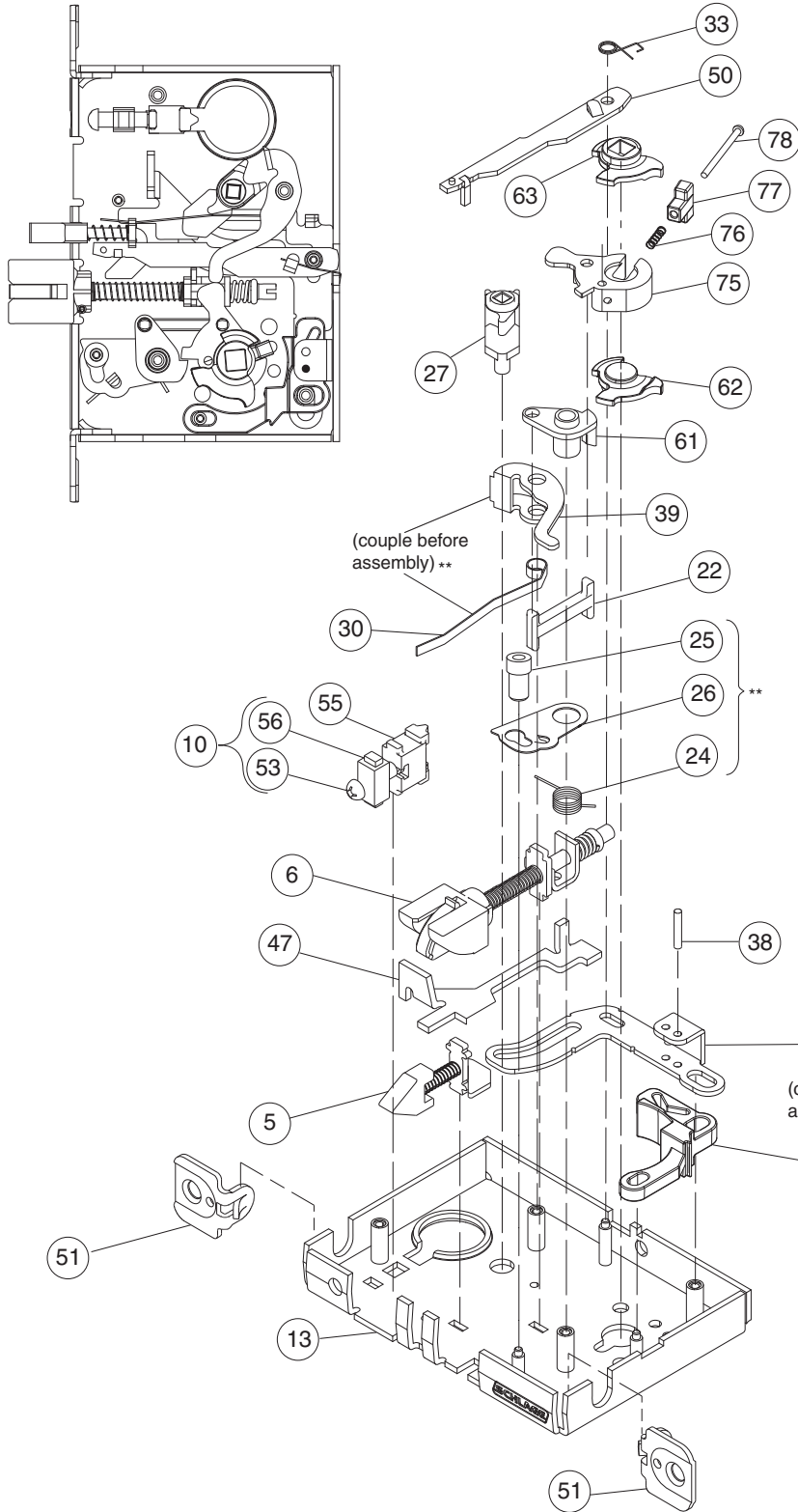
Number	Description	Part Number
5	Auxiliary Latchbolt	L283-006
6	Latchbolt	L283-008
10	Cylinder Plate & Screw	L283-055
13	L9000 Lock Case	L283-112
17	Retractor Hub	L583-748
18	Hub Spacer	L583-020
19	Retractor Lever	L583-021
20	Retractor Rocker	L583-022
21	Blocking Plate	L583-023
22	Retractor Link	L583-024
23	Retractor Crank	L583-025
24	Hub Spring	L583-026
25	Fire Door Fuse	L583-027
26	Fire Door Catch	L583-028
27	Turn Hub	L583-029
30	Turn Hub Spring	L583-035
33	Stop Spring	L583-044
34	Locking Catch	L583-045
36	Locking Link	L583-048
38	Link Pin	L583-050
39	Transfer Lever	L583-051
47	Transfer Lifter	L583-156
50	Auxiliary Stop	L583-196
51	1 1/4" Faceplate Tab	L583-426
52	Case Cover Screws	L583-454
53	Cylinder Retainer Screw	L583-481
54	Lock Handing Screw	L583-485
55	Cylinder Retainer	L583-490
56	Screw Plate	L583-492
58	Lock Case Cover	L583-496
71	Post, Standoff	L583-004

Note: L9066 x XL11-897 chassis does not include blocking plate, part number L583-023.

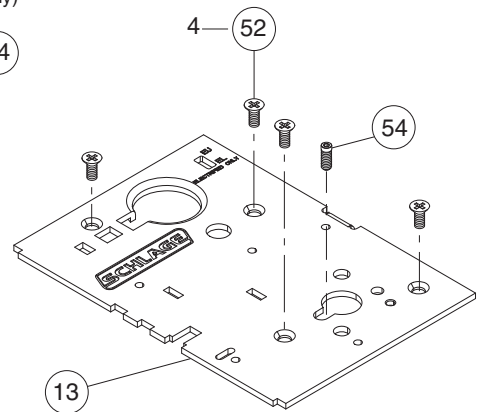
** See "Assembly of lock case parts" on page 152.

LV9050, LV9060, LV9070, LV9071

Assembled Lock Case L283-601



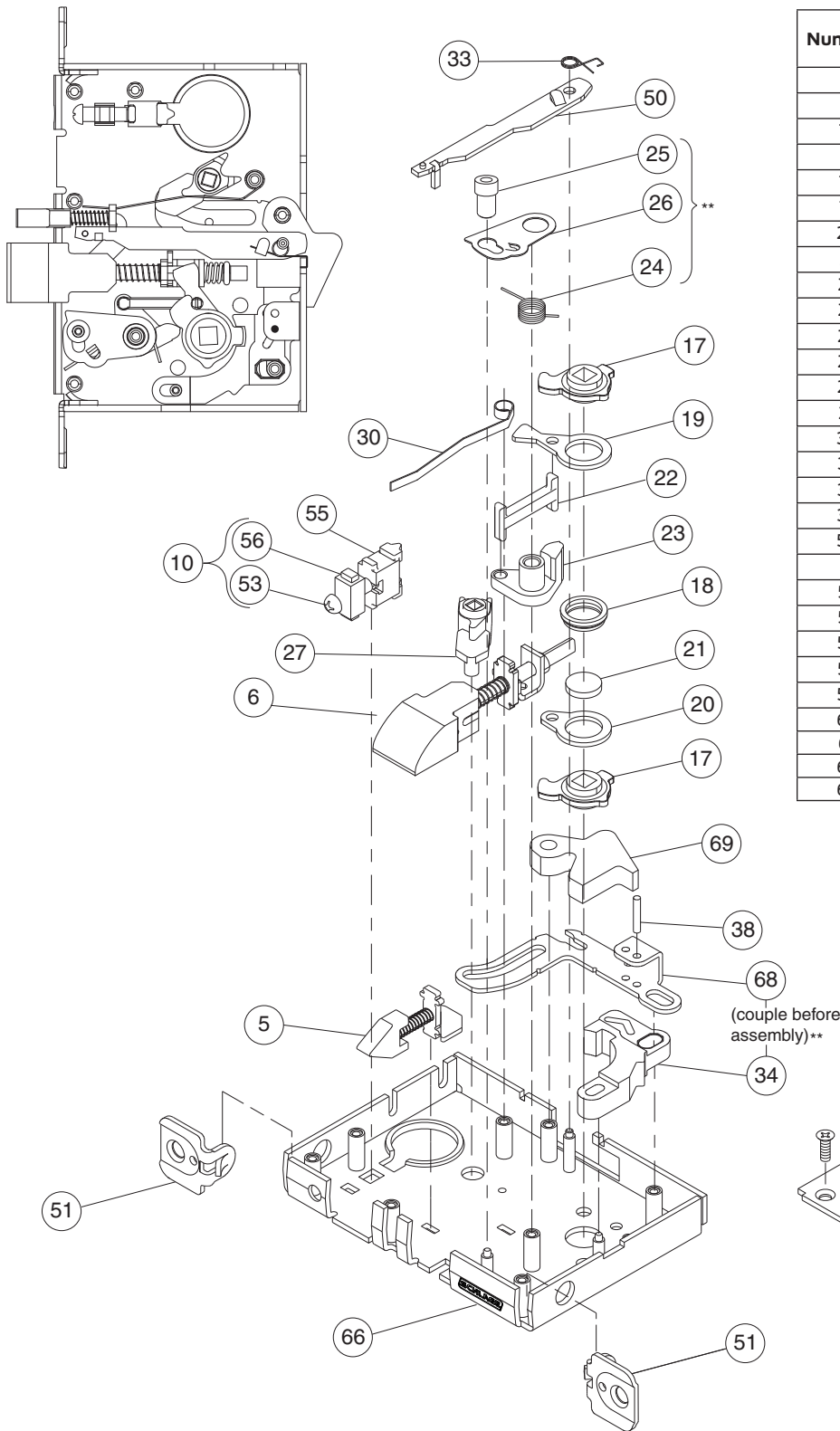
Number	Description	Part Number
5	Auxiliary Latchbolt	L283-006
6	Latchbolt	L283-008
10	Cylinder Plate & Screw	L283-055
13	LV9000 Lock Case, Cover	L283-594
22	Retractor Link	L583-024
24	Hub Spring	L583-026
25	Fire Door Fuse	L583-027
26	Fire Door Catch	L583-028
27	Turn Hub	L583-029
30	Turn Hub Spring	L583-035
33	Stop Spring	L583-044
36	Locking Link	L583-048
38	Link Pin	L583-050
39	Transfer Lever	L583-051
47	Transfer Lifter	L583-156
50	Auxiliary Stop	L583-196
51	1¼" Faceplate Tab	L583-426
52	Case Cover Screws	L583-454
53	Cylinder Retainer Screw	L583-481
54	Lock Handing Screw	L583-902
55	Cylinder Retainer	L583-490
56	Screw Plate	L583-492
61	Crank Retractor	L583-383
62	Bottom Hub	L583-386
63	Top Hub	L583-387
64	Retractor Catch	L583-345
75	Lever, Retractor	L583-768
76	Spring, Compression	L583-388
77	Locker	L583-764
78	Pin, Pusher	L583-778



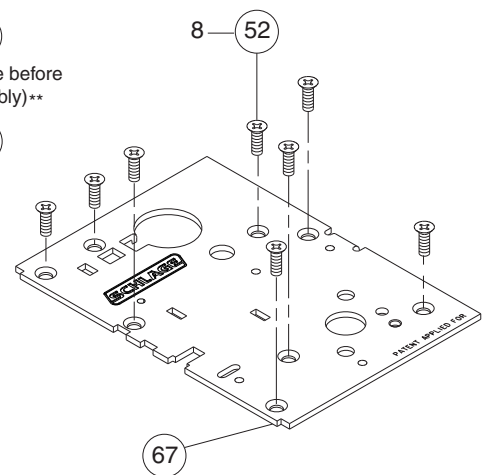
** See "Assembly of lock case parts" on page 152.

LM9350, LM9370, LM9371

Assembled Lock Case L283-316



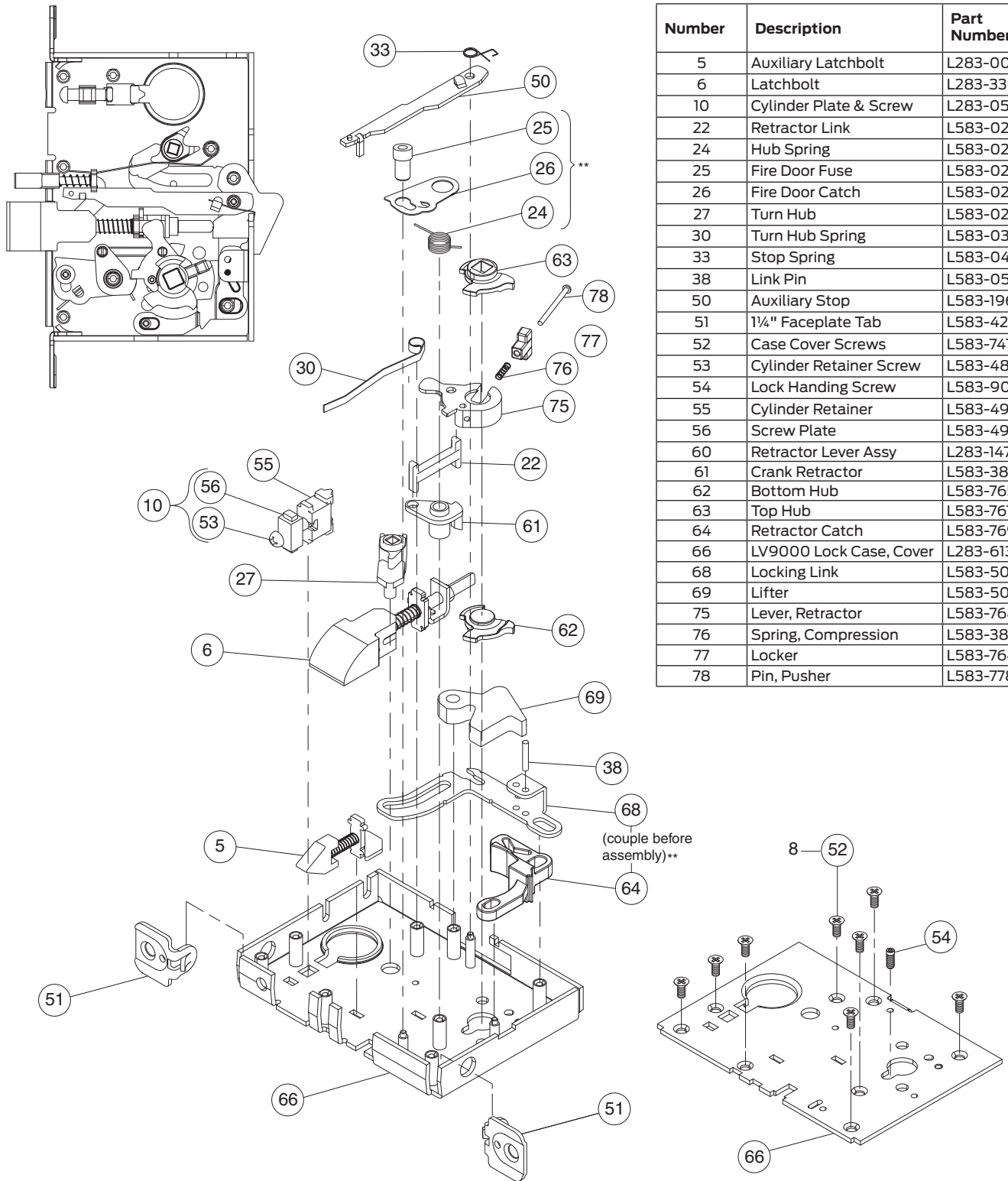
Number	Description	Part Number
5	Auxiliary Latchbolt	L283-006
6	Latchbolt	L283-336
10	Cylinder Plate & Screw	L283-055
17	Retractor Hub	L583-748
18	Hub Spacer	L583-020
19	Retractor Lever	L583-021
20	Retractor Rocker	L583-022
21	Blocking Plate	L583-023
22	Retractor Link	L583-024
23	Retractor Crank	L583-025
24	Hub Spring	L583-026
25	Fire Door Fuse	L583-027
26	Fire Door Catch	L583-028
27	Turn Hub	L583-029
30	Turn Hub Spring	L583-035
33	Stop Spring	L583-044
34	Locking Catch	L583-045
38	Link Pin	L583-050
50	Auxiliary Stop	L583-196
51	1¼" Faceplate Tab	L583-426
52	Case Cover Screws	L583-747
53	Cylinder Retainer Screw	L583-481
54	Lock Handling Screw	L583-485
55	Cylinder Retainer	L583-490
56	Screw Plate	L583-492
66	LM9000 Lock Case	L283-312
67	LM9000 Lock Case Cover	L583-491
68	Locking Link	L583-505
69	Lifter	L583-506



** See "Assembly of lock case parts" on page 152.

LMV9350, LMV9370, LMV9371

Assembled Lock Case L283-614

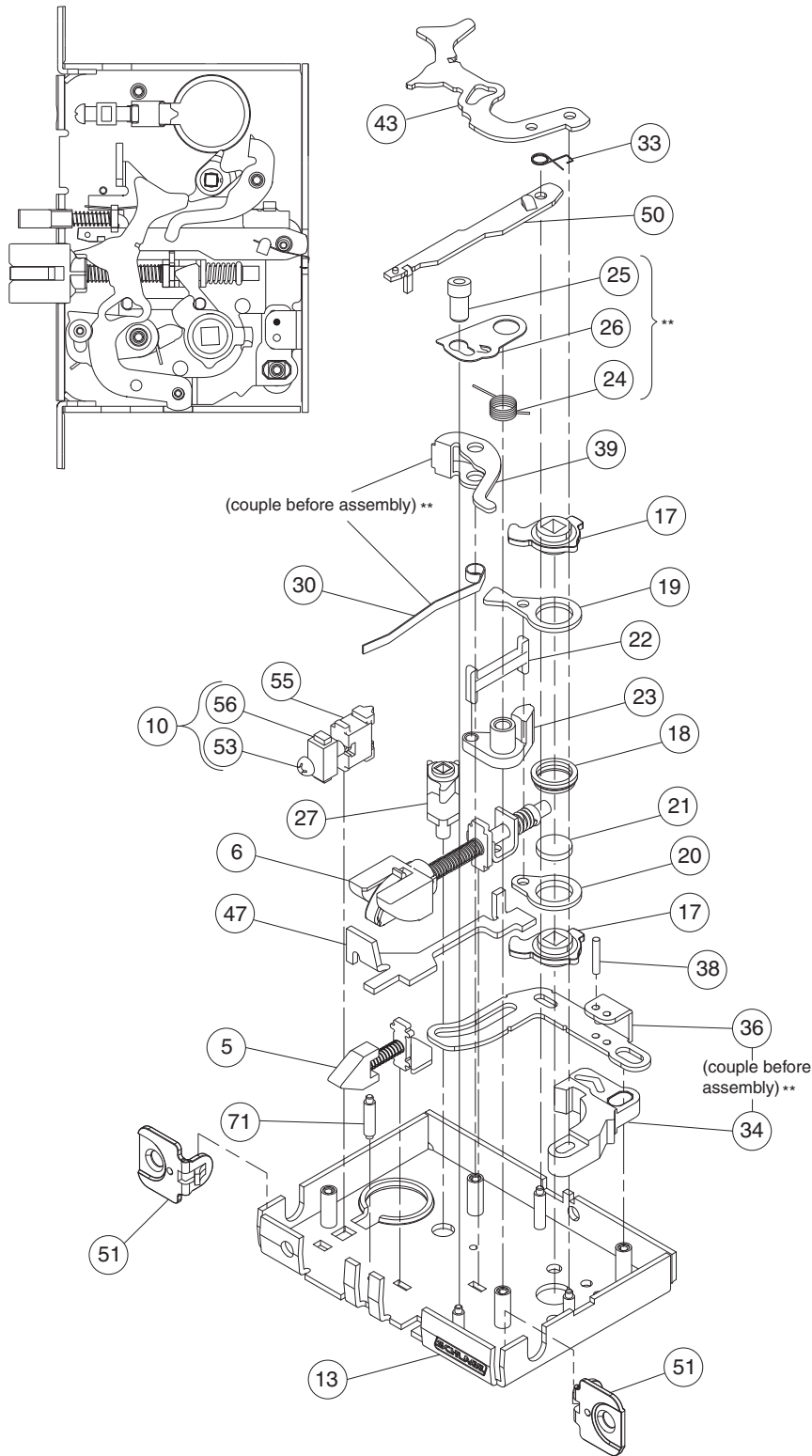


Number	Description	Part Number
5	Auxiliary Latchbolt	L283-006
6	Latchbolt	L283-336
10	Cylinder Plate & Screw	L283-055
22	Retractor Link	L583-024
24	Hub Spring	L583-026
25	Fire Door Fuse	L583-027
26	Fire Door Catch	L583-028
27	Turn Hub	L583-029
30	Turn Hub Spring	L583-035
33	Stop Spring	L583-044
38	Link Pin	L583-050
50	Auxiliary Stop	L583-196
51	1¼" Faceplate Tab	L583-426
52	Case Cover Screws	L583-747
53	Cylinder Retainer Screw	L583-481
54	Lock Handing Screw	L583-902
55	Cylinder Retainer	L583-490
56	Screw Plate	L583-492
60	Retractor Lever Assy	L283-147
61	Crank Retractor	L583-383
62	Bottom Hub	L583-765
63	Top Hub	L583-767
64	Retractor Catch	L583-769
66	LV9000 Lock Case, Cover	L283-613
68	Locking Link	L583-505
69	Lifter	L583-506
75	Lever, Retractor	L583-768
76	Spring, Compression	L583-388
77	Locker	L583-764
78	Pin, Pusher	L583-778

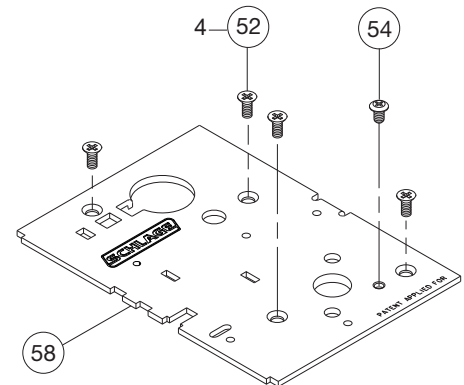
** See "Assembly of lock case parts" on page 152.

L9056

Assembled Lock Case L283-126



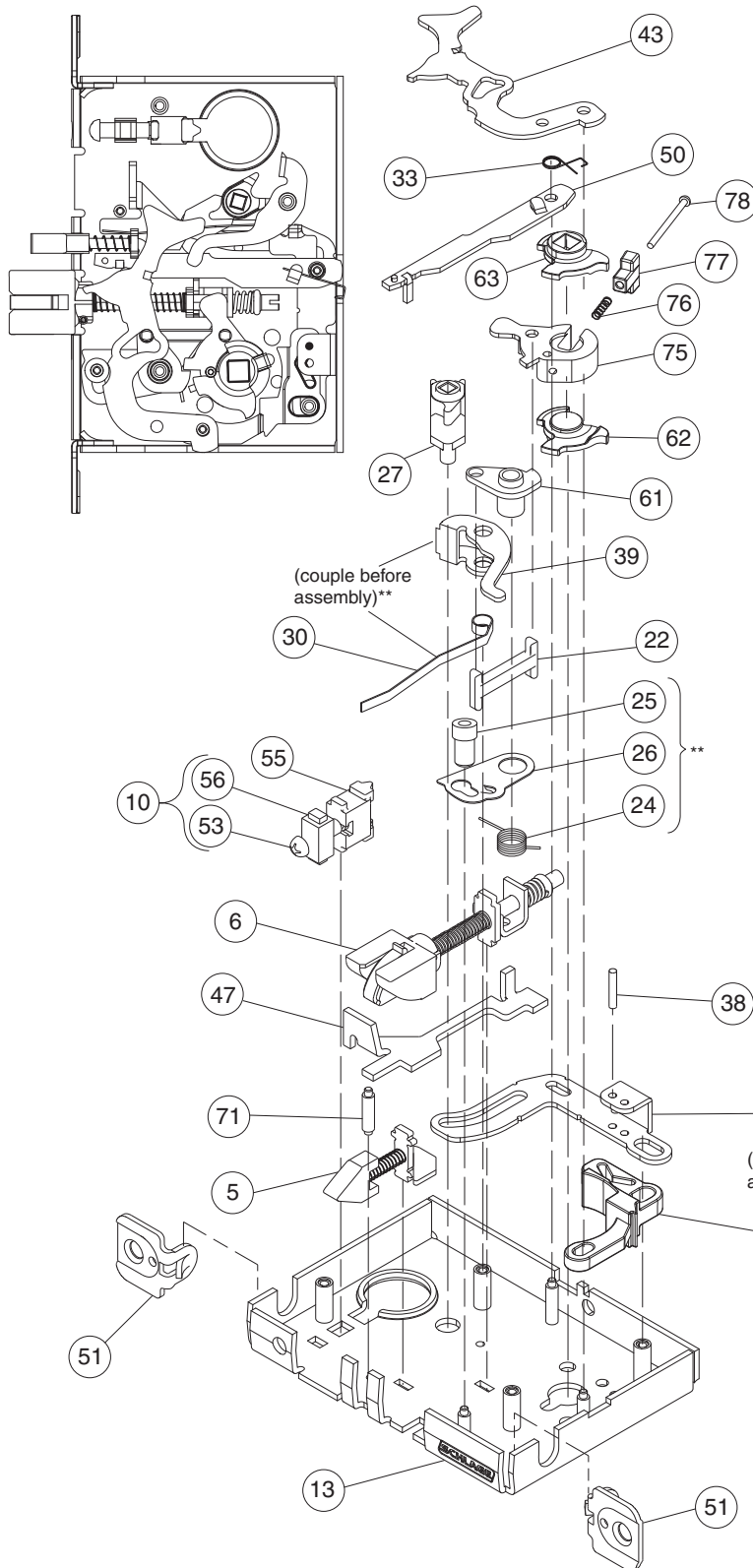
Number	Description	Part Number
5	Auxiliary Latchbolt	L283-006
6	Latchbolt	L283-008
10	Cylinder Plate & Screw	L283-055
13	L9000 Lock Case	L283-112
17	Retractor Hub	L583-748
18	Hub Spacer	L583-020
19	Retractor Lever	L583-021
20	Retractor Rocker	L583-022
21	Blocking Plate	L583-023
22	Retractor Link	L583-024
23	Retractor Crank	L583-025
24	Hub Spring	L583-026
25	Fire Door Fuse	L583-027
26	Fire Door Catch	L583-028
27	Turn Hub	L583-029
30	Turn Hub Spring	L583-035
33	Stop Spring	L583-044
34	Locking Catch	L583-045
36	Locking Link	L583-048
38	Link Pin	L583-050
39	Transfer Lever	L583-051
43	Simultaneous Retractor	L583-058
47	Transfer Lifter	L583-156
50	Auxiliary Stop	L583-196
51	1/4" Faceplate Tab	L583-426
52	Case Cover Screws	L583-454
53	Cylinder Retainer Screw	L583-481
54	Lock Handling Screw	L583-485
55	Cylinder Retainer	L583-490
56	Screw Plate	L583-492
58	Lock Case Cover	L583-496
71	Post Standoff	L583-004



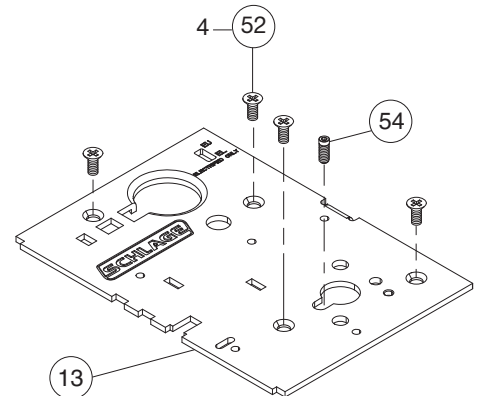
** See "Assembly of lock case parts" on page 152.

LV9056

Assembled Lock Case L283-608



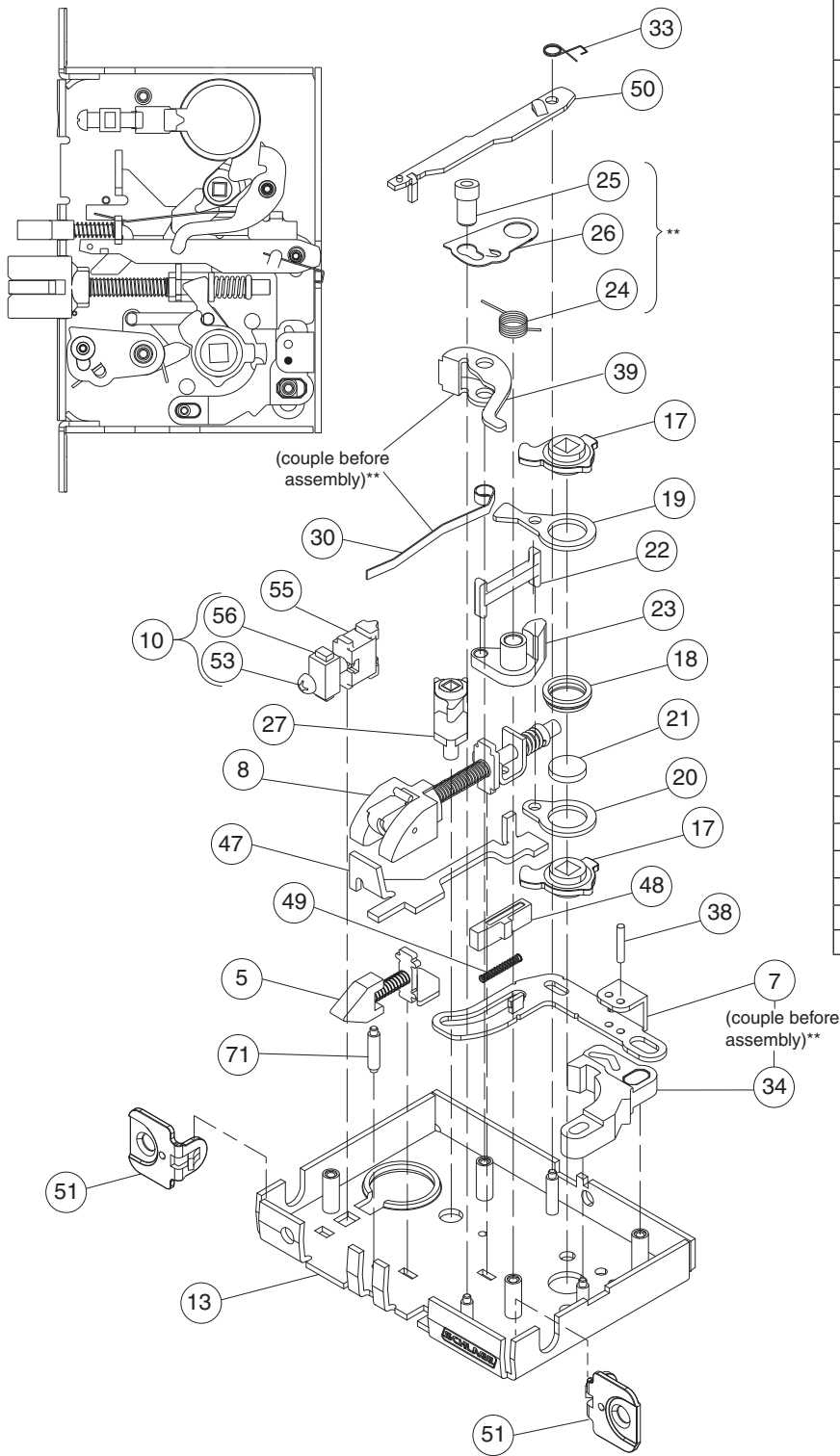
Number	Description	Part Number
5	Auxiliary Latchbolt	L283-006
6	Latchbolt	L283-008
10	Cylinder Plate & Screw	L283-055
13	LV9000 Lock Case, Cover	L283-594
22	Retractor Link	L583-024
24	Hub Spring	L583-026
25	Fire Door Fuse	L583-027
26	Fire Door Catch	L583-028
27	Turn Hub	L583-029
30	Turn Hub Spring	L583-035
33	Stop Spring	L583-044
36	Locking Link	L583-048
38	Link Pin	L583-050
39	Transfer Lever	L583-051
43	Simultaneous Retractor	L583-058
47	Transfer Lifter	L583-156
50	Auxiliary Stop	L583-196
51	1¼" Faceplate Tab	L583-426
52	Case Cover Screws	L583-454
53	Cylinder Retainer Screw	L583-481
54	Lock Handling Screw	L583-902
55	Cylinder Retainer	L583-490
56	Screw Plate	L583-492
61	Crank Retractor	L583-383
62	Bottom Hub	L583-386
63	Top Hub	L583-387
64	Retractor Catch	L583-769
71	Post Standoff	L583-004
75	Lever, Retractor	L583-768
76	Spring, Compression	L583-388
77	Locker	L583-764
78	Pin, Pusher	L583-778



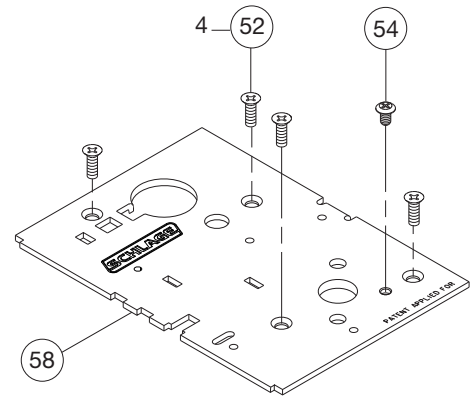
** See "Assembly of lock case parts" on page 152.

L9076, L9077

Assembled Lock Case L283-039



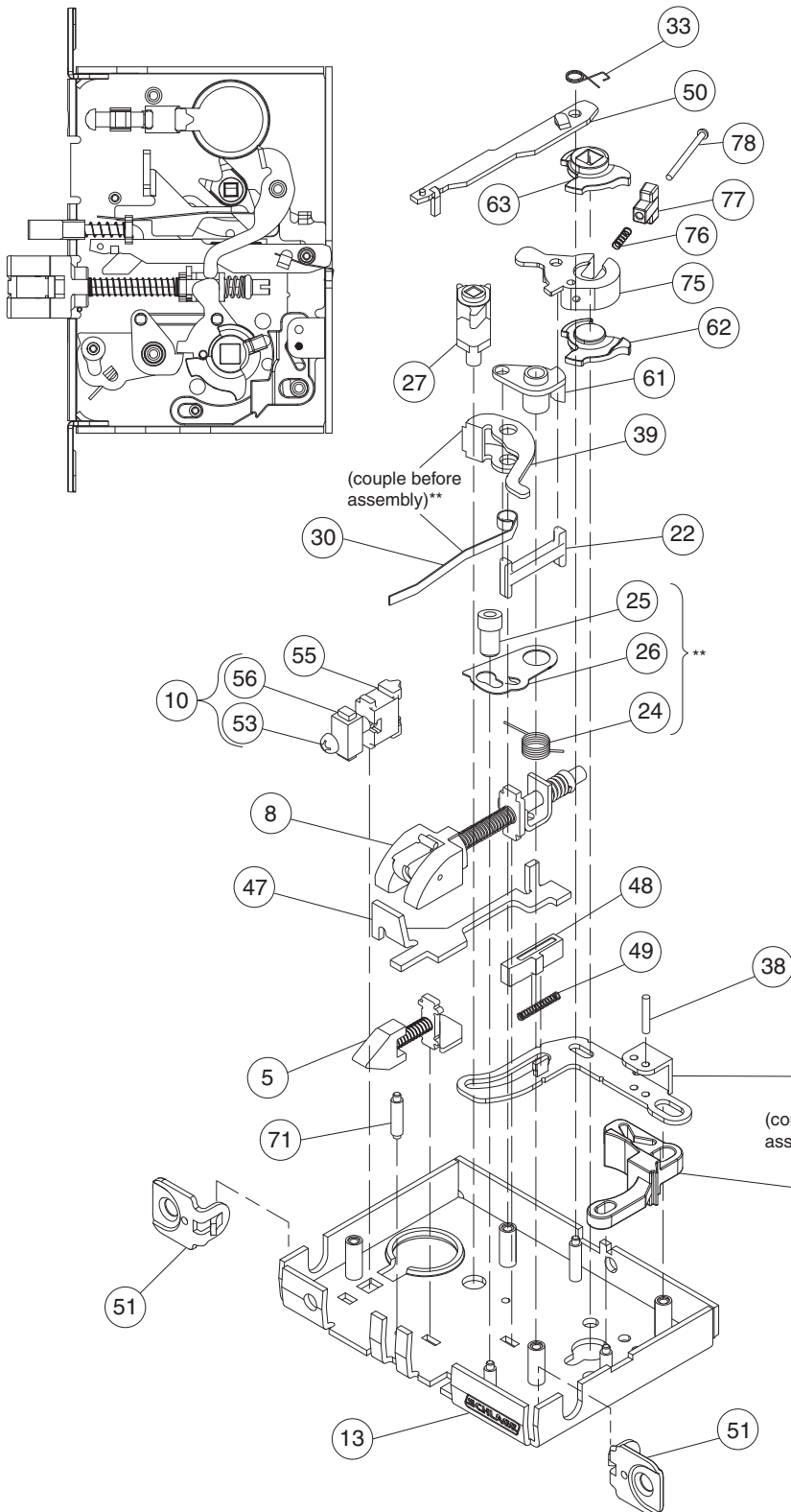
Number	Description	Part Number
5	Auxiliary Latchbolt	L283-006
7	Locking Link	L283-010
8	Latchbolt	L283-049
10	Cylinder Plate & Screw	L283-055
13	L9000 Lock Case	L283-112
17	Retractor Hub	L583-748
18	Hub Spacer	L583-020
19	Retractor Lever	L583-021
20	Retractor Rocker	L583-022
21	Blocking Plate	L583-023
22	Retractor Link	L583-024
23	Retractor Crank	L583-025
24	Hub Spring	L583-026
25	Fire Door Fuse	L583-027
26	Fire Door Catch	L583-028
27	Turn Hub	L583-029
30	Turn Hub Spring	L583-035
33	Stop Spring	L583-044
34	Locking Catch	L583-045
38	Link Pin	L583-050
39	Transfer Lever	L583-051
47	Transfer Lifter	L583-156
48	Holdback Dog	L583-174
49	Dog Spring	L583-192
50	Auxiliary Stop	L583-196
51	1 1/4" Faceplate Tab	L583-426
52	Case Cover Screws	L583-454
53	Cylinder Retainer Screw	L583-481
54	Lock Handling Screw	L583-485
55	Cylinder Retainer	L583-490
56	Screw Plate	L583-492
58	Lock Case Cover	L583-496
71	Post Standoff	L583-004



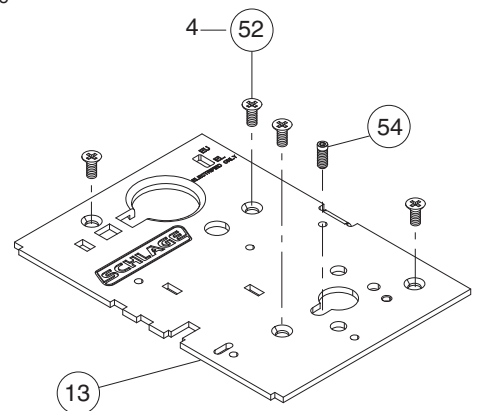
** See "Assembly of lock case parts" on page 152.

LV9076, LV9077

Assembled Lock Case L283-603



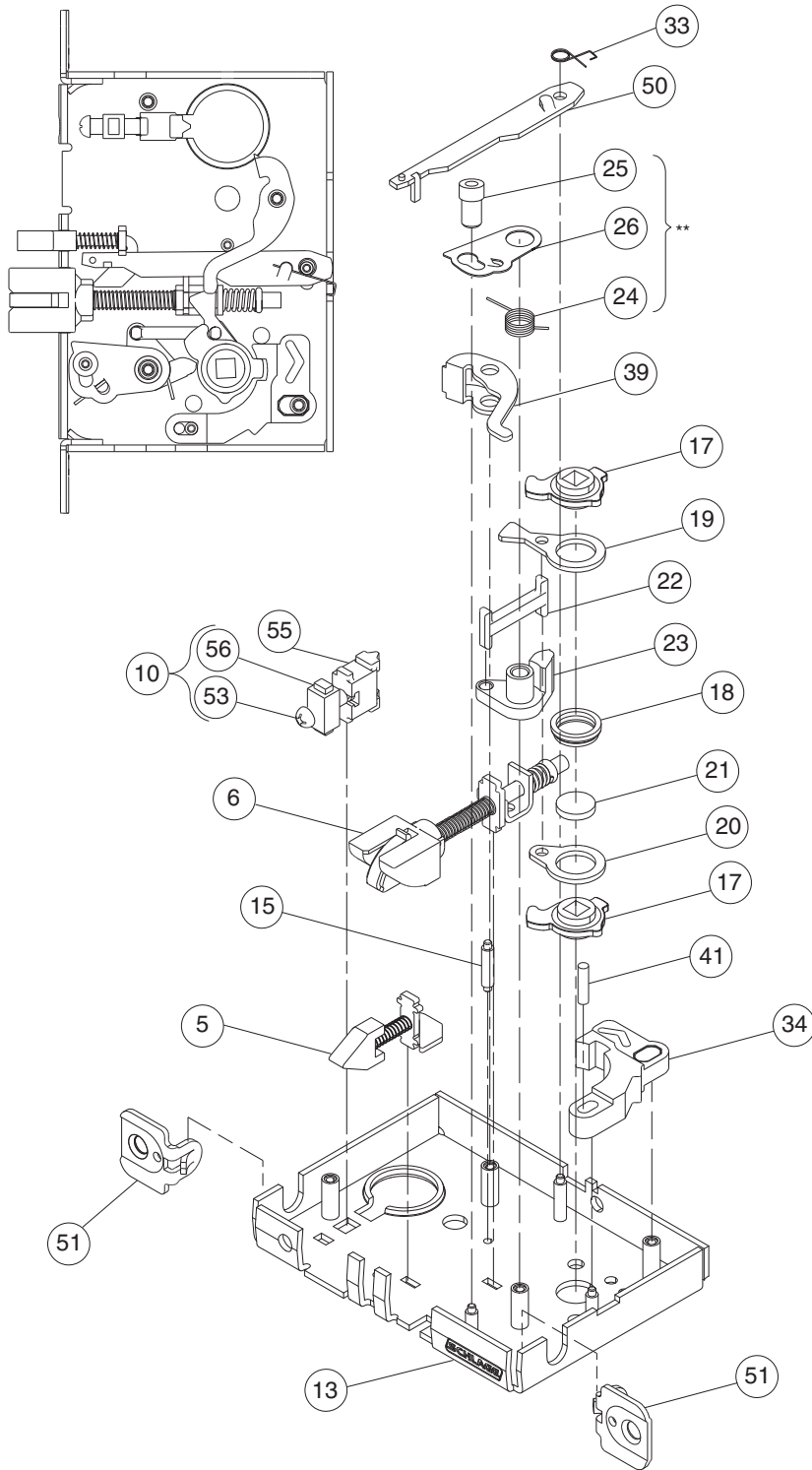
Number	Description	Part Number
5	Auxiliary Latchbolt	L283-006
7	Locking Link	L283-010
8	Latchbolt	L283-049
10	Cylinder Plate & Screw	L283-055
13	LV9000 Lock Case, Cover	L283-594
22	Retractor Link	L583-024
24	Hub Spring	L583-026
25	Fire Door Fuse	L583-027
26	Fire Door Catch	L583-028
27	Turn Hub	L583-029
30	Turn Hub Spring	L583-035
33	Stop Spring	L583-044
38	Link Pin	L583-050
39	Transfer Lever	L583-051
47	Transfer Lifter	L583-156
48	Holdback Dog	L583-174
49	Dog Spring	L583-192
50	Auxiliary Stop	L583-196
51	1 1/4" Faceplate Tab	L583-426
52	Case Cover Screws	L583-454
53	Cylinder Retainer Screw	L583-481
54	Lock Handling Screw	L583-902
55	Cylinder Retainer	L583-490
56	Screw Plate	L583-492
61	Crank Retractor	L583-383
62	Bottom Hub	L583-386
63	Top Hub	L583-387
64	Retractor Catch	L583-769
71	Post, Standoff	L583-004
75	Lever, Retractor	L583-768
76	Spring, Compression	L583-388
77	Locker	L583-764
78	Pin, Pusher	L583-778



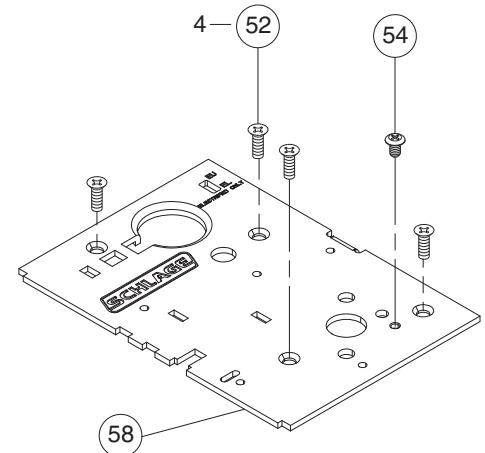
** See "Assembly of lock case parts" on page 152.

L9080

Assembled Lock Case L283-134



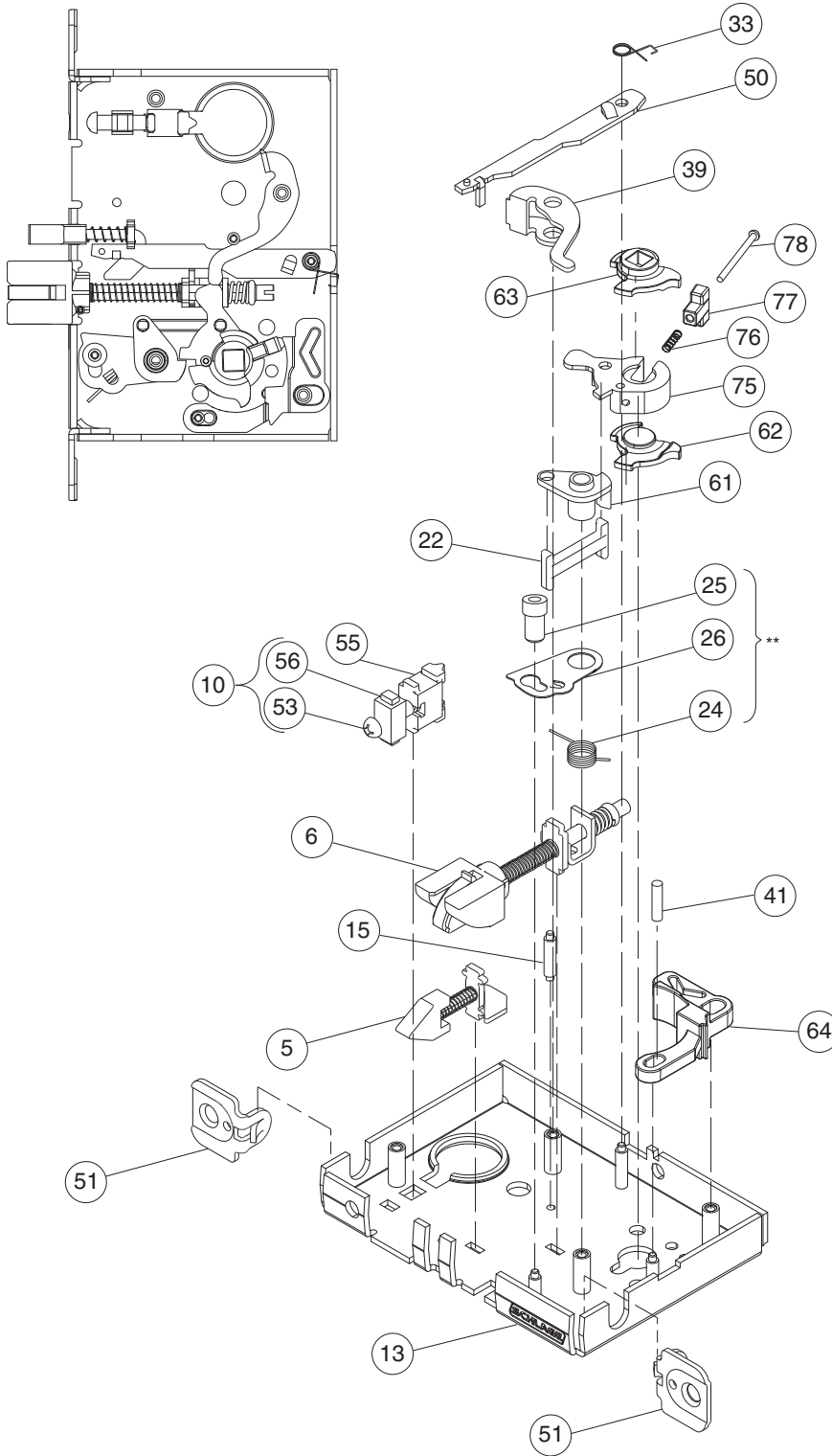
Number	Description	Part Number
5	Auxiliary Latchbolt	L283-006
6	Latchbolt	L283-008
10	Cylinder Plate & Screw	L283-055
13	L9000 Lock Case	L283-112
15	Standoff Post	L583-004
17	Retractor Hub	L583-748
18	Hub Spacer	L583-020
19	Retractor Lever	L583-021
20	Retractor Rocker	L583-022
21	Blocking Plate	L583-023
22	Retractor Link	L583-024
23	Retractor Crank	L583-025
24	Hub Spring	L583-026
25	Fire Door Fuse	L583-027
26	Fire Door Catch	L583-028
33	Stop Spring	L583-044
34	Locking Catch	L583-045
39	Transfer Lever	L583-051
41	Catch Pin	L583-056
50	Auxiliary Stop	L583-196
51	1/4" Faceplate Tab	L583-426
52	Case Cover Screws	L583-454
53	Cylinder Retainer Screw	L583-481
54	Lock Handing Screw	L583-485
55	Cylinder Retainer	L583-490
56	Screw Plate	L583-492
58	Lock Case Cover	L583-496



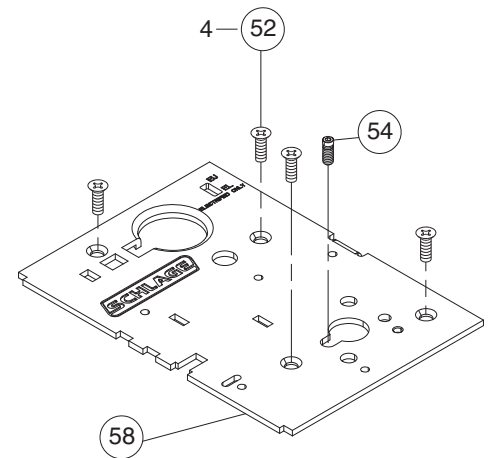
** See "Assembly of lock case parts" on page 152.

LV9080

Assembled Lock Case L283-604



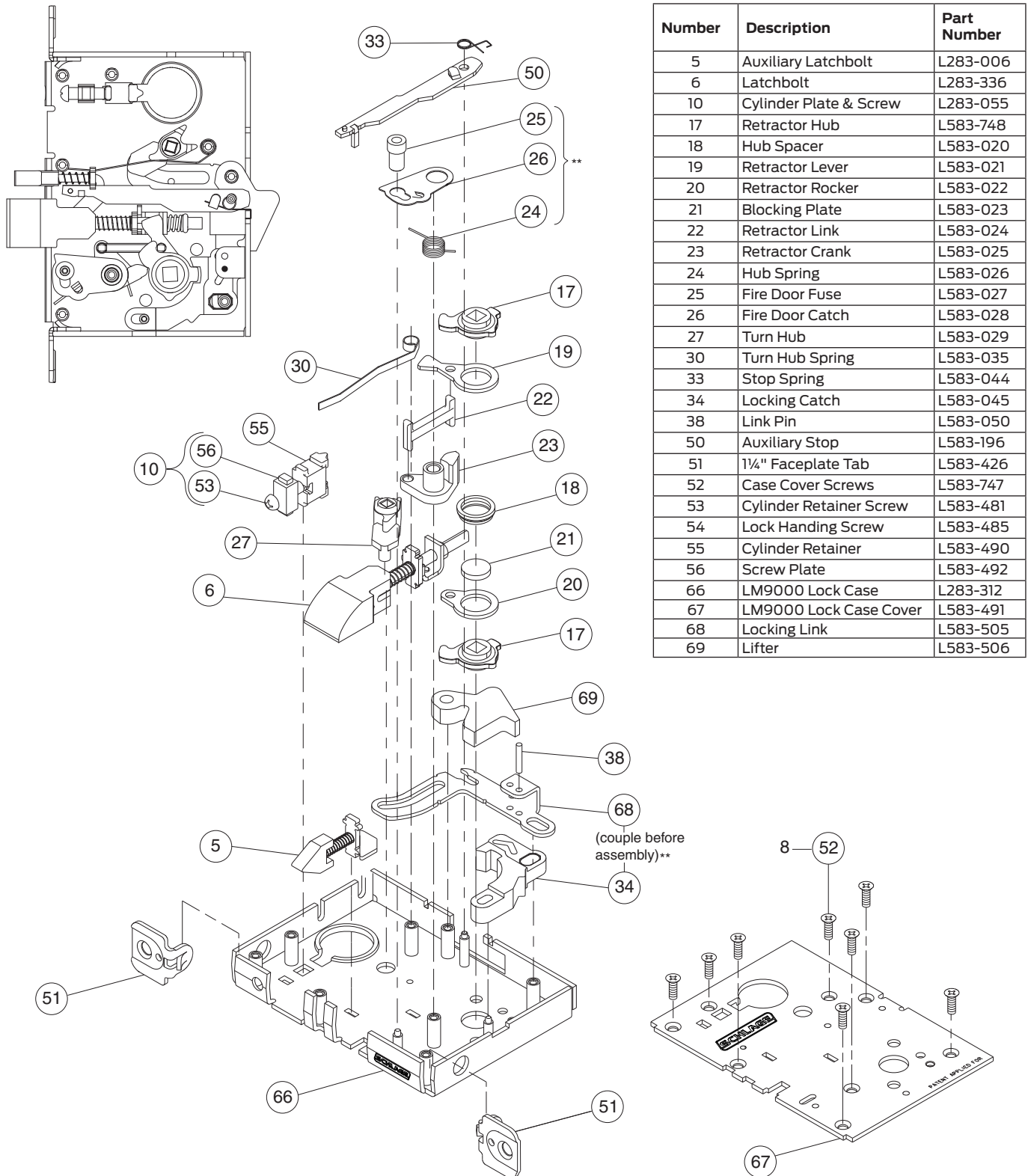
Number	Description	Part Number
5	Auxiliary Latchbolt	L283-006
6	Latchbolt	L283-008
10	Cylinder Plate & Screw	L283-055
13	LV9000 Lock Case, Cover	L283-594
15	Standoff Post	L583-004
22	Retractor Link	L583-024
24	Hub Spring	L583-026
25	Fire Door Fuse	L583-027
26	Fire Door Catch	L583-028
33	Stop Spring	L583-044
39	Transfer Lever	L583-051
41	Catch Pin	L583-056
50	Auxiliary Stop	L583-196
51	1/4" Faceplate Tab	L583-426
52	Case Cover Screws	L583-454
53	Cylinder Retainer Screw	L583-481
54	Lock Handing Screw	L583-902
55	Cylinder Retainer	L583-490
56	Screw Plate	L583-492
61	Crank Retractor	L583-383
62	Bottom Hub	L583-765
63	Top Hub	L583-767
64	Retractor Catch	L583-769
75	Lever, Retractor	L583-768
76	Spring, Compression	L583-388
77	Locker	L583-764
78	Pin, Pusher	L583-778



** See "Assembly of lock case parts" on page 152.

LM9380

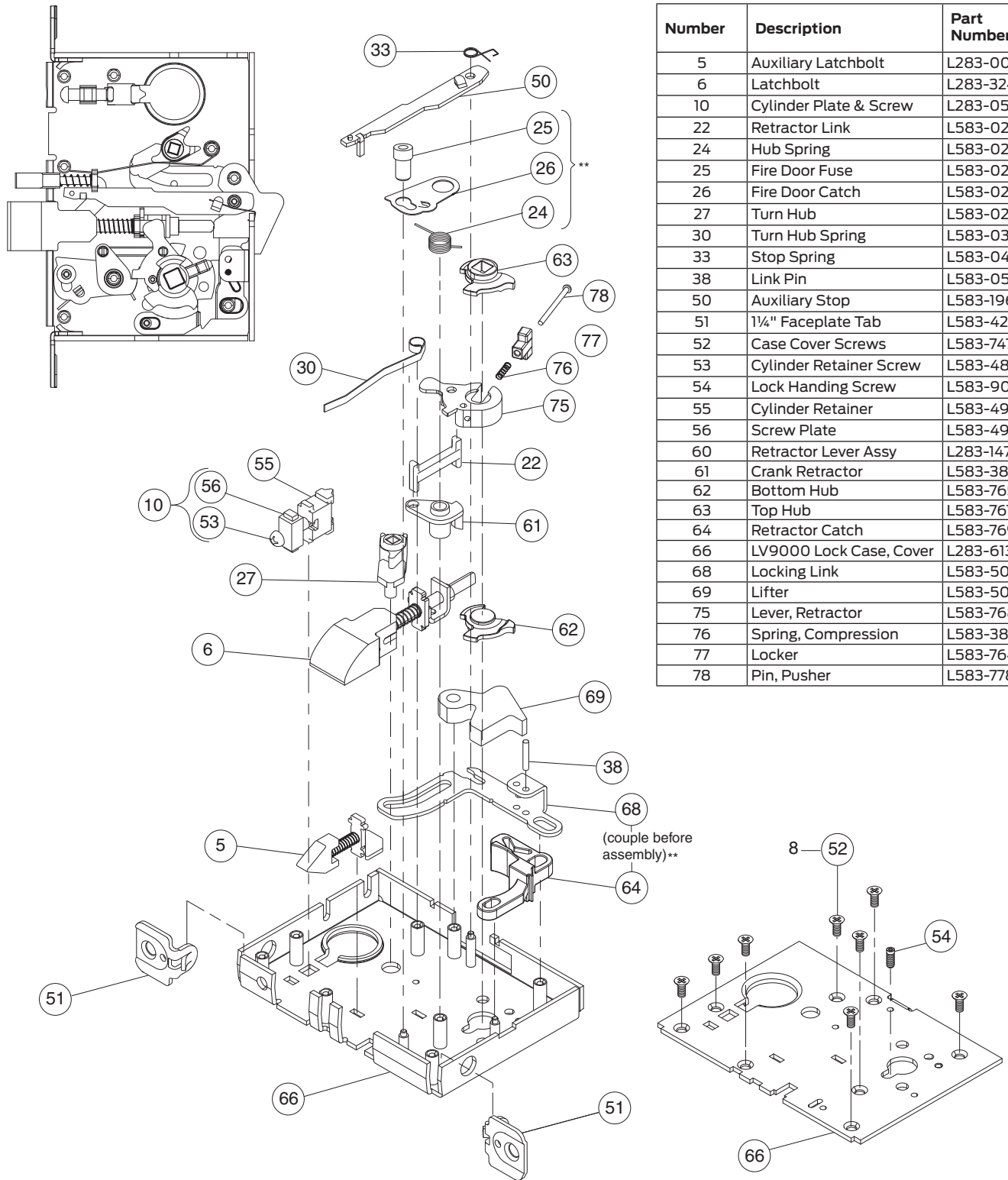
Assembled Lock Case L283-316



** See "Assembly of lock case parts" on page 152.

LMV9380

Assembled Lock Case L283-614

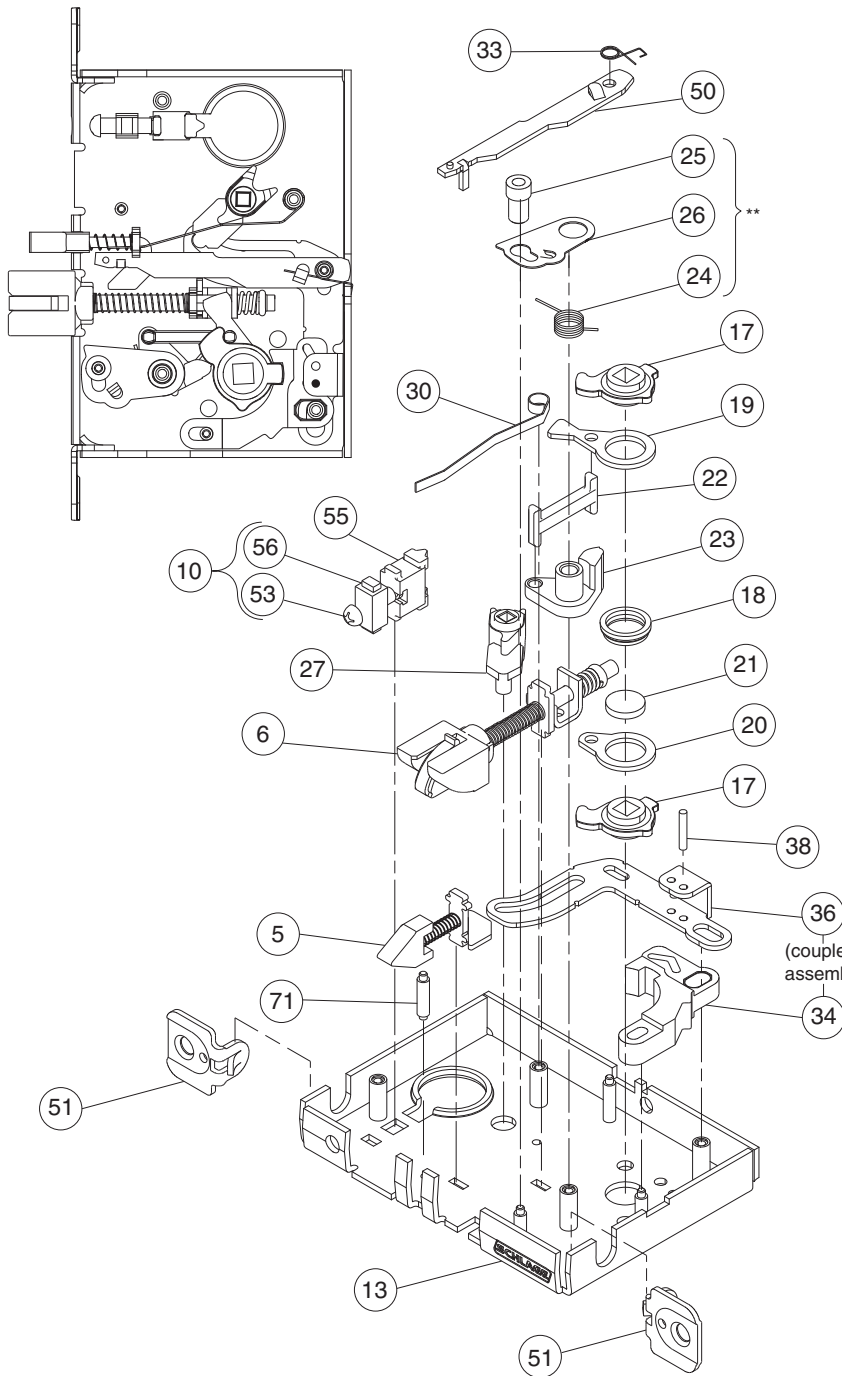


Number	Description	Part Number
5	Auxiliary Latchbolt	L283-006
6	Latchbolt	L283-324
10	Cylinder Plate & Screw	L283-055
22	Retractor Link	L583-024
24	Hub Spring	L583-026
25	Fire Door Fuse	L583-027
26	Fire Door Catch	L583-028
27	Turn Hub	L583-029
30	Turn Hub Spring	L583-035
33	Stop Spring	L583-044
38	Link Pin	L583-050
50	Auxiliary Stop	L583-196
51	1/4" Faceplate Tab	L583-426
52	Case Cover Screws	L583-747
53	Cylinder Retainer Screw	L583-481
54	Lock Hanging Screw	L583-902
55	Cylinder Retainer	L583-490
56	Screw Plate	L583-492
60	Retractor Lever Assy	L283-147
61	Crank Retractor	L583-383
62	Bottom Hub	L583-765
63	Top Hub	L583-767
64	Retractor Catch	L583-769
66	LV9000 Lock Case, Cover	L283-613
68	Locking Link	L583-505
69	Lifter	L583-506
75	Lever, Retractor	L583-768
76	Spring, Compression	L583-388
77	Locker	L583-764
78	Pin, Pusher	L583-778

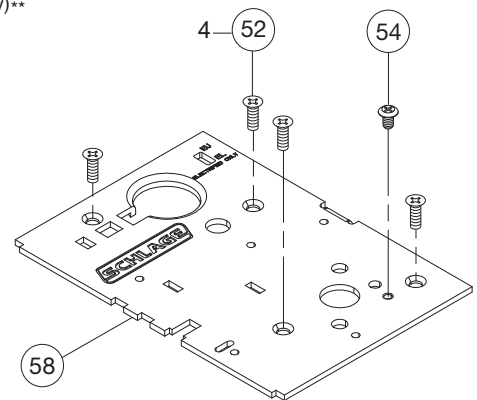
** See "Assembly of lock case parts" on page 152.

L9081

Assembled Lock Case 47333536



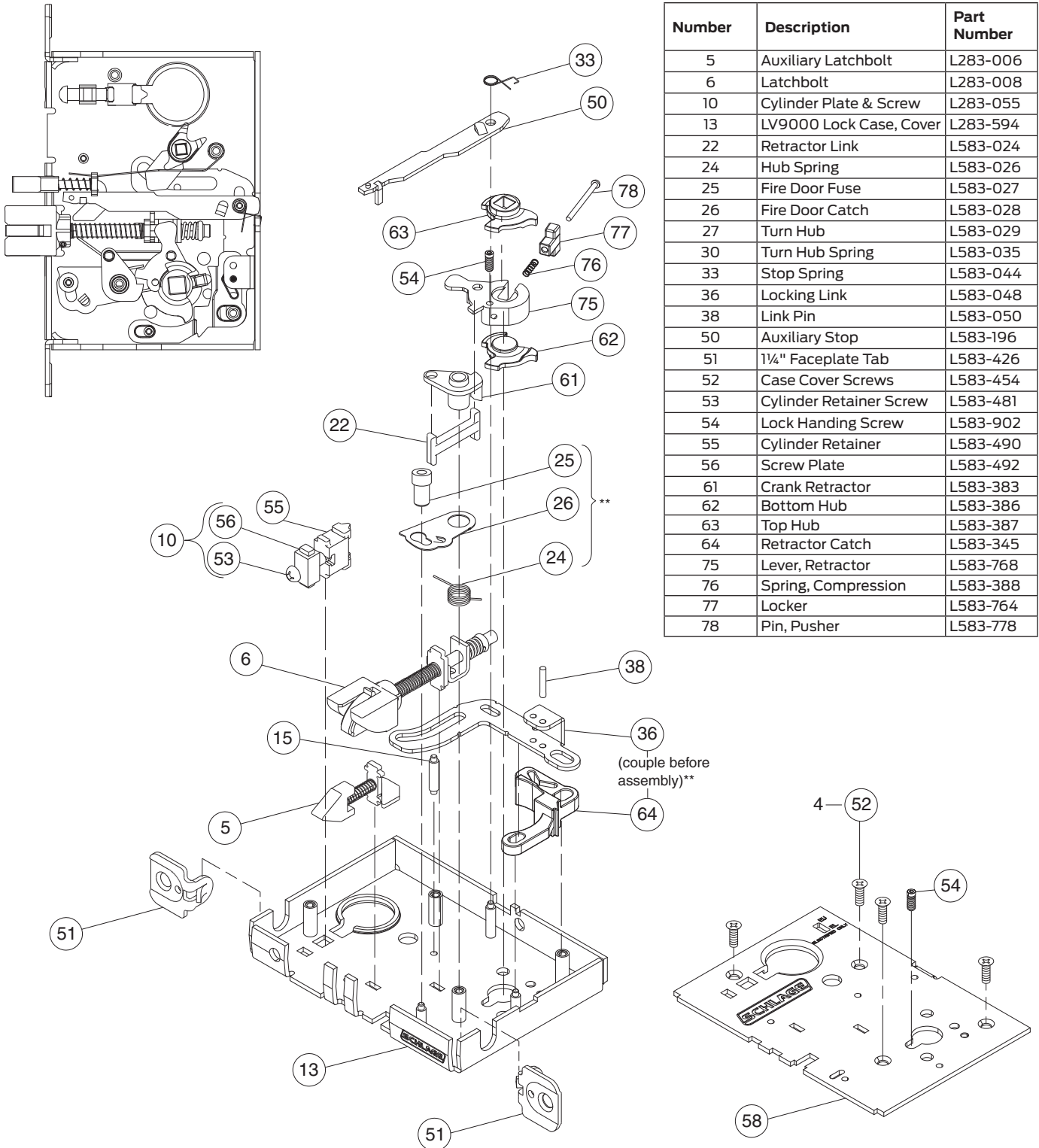
Number	Description	Part Number
5	Auxiliary Latchbolt	L283-006
6	Latchbolt	L283-008
10	Cylinder Plate & Screw	L283-055
13	L9000 Lock Case	L283-112
17	Retractor Hub	L583-748
18	Hub Spacer	L583-020
19	Retractor Lever	L583-021
20	Retractor Rocker	L583-022
21	Blocking Plate	L583-023
22	Retractor Link	L583-024
23	Retractor Crank	L583-025
24	Hub Spring	L583-026
25	Fire Door Fuse	L583-027
26	Fire Door Catch	L583-028
27	Turn Hub	L583-029
30	Turn Hub Spring	L583-035
33	Stop Spring	L583-044
34	Locking Catch	L583-045
36	Locking Link	L583-048
38	Link Pin	L583-050
50	Auxiliary Stop	L583-196
51	1/4" Faceplate Tab	L583-426
52	Case Cover Screws	L583-454
53	Cylinder Retainer Screw	L583-481
54	Lock Handling Screw	L583-485
55	Cylinder Retainer	L583-490
56	Screw Plate	L583-492
58	Lock Case Cover	L583-496
71	Post, Standoff	L583-004



** See "Assembly of lock case parts" on page 152.

LV9081

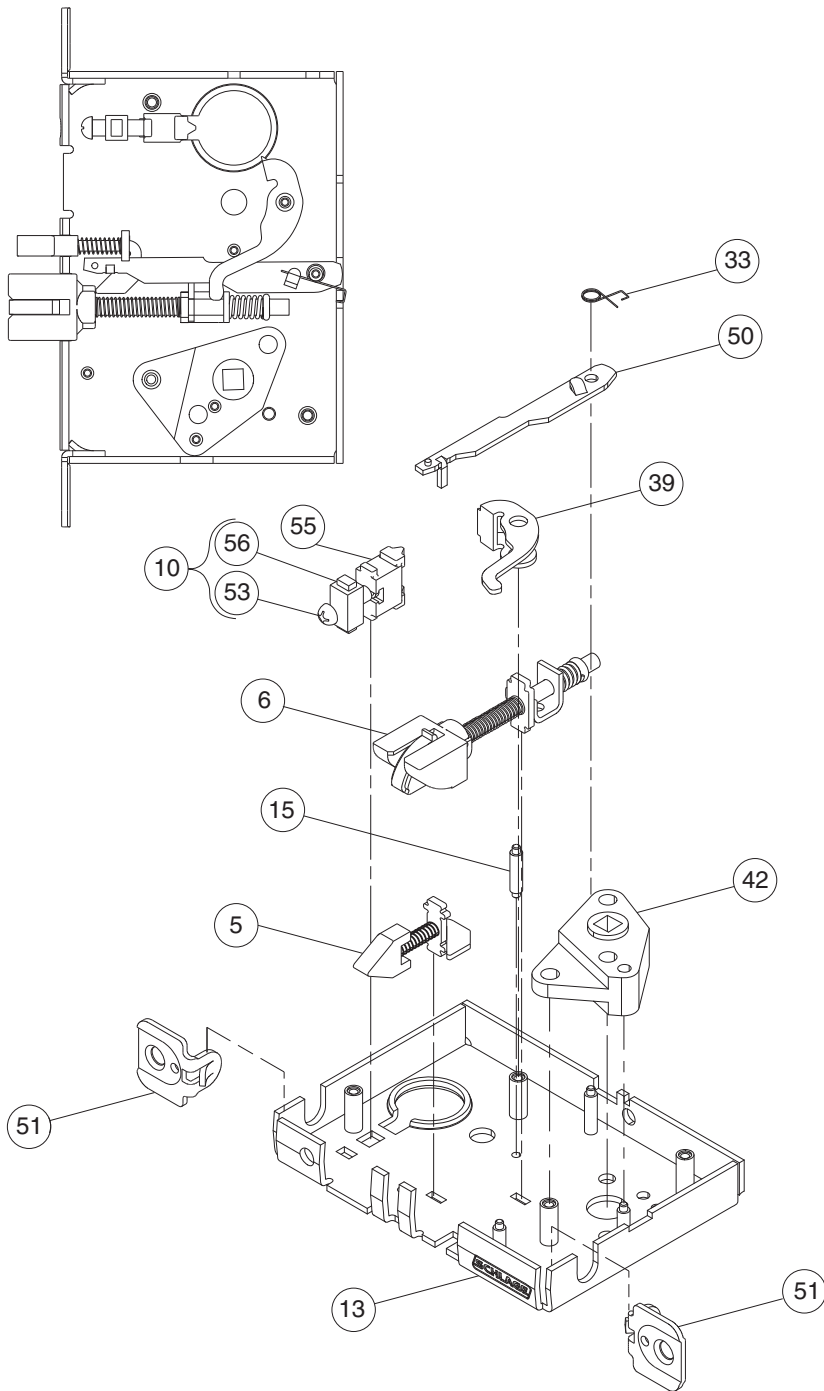
Assembled Lock Case 47333538



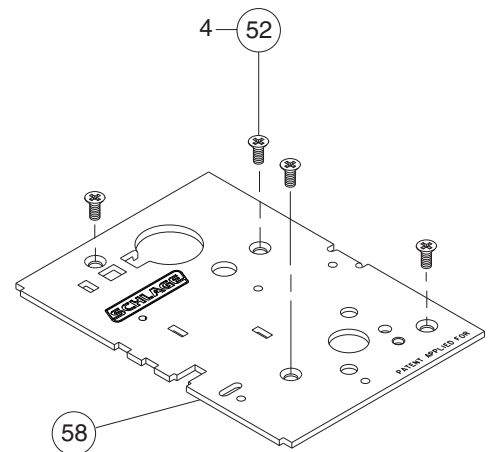
** See "Assembly of lock case parts" on page 152.

L9082

Assembled Lock Case L283-146

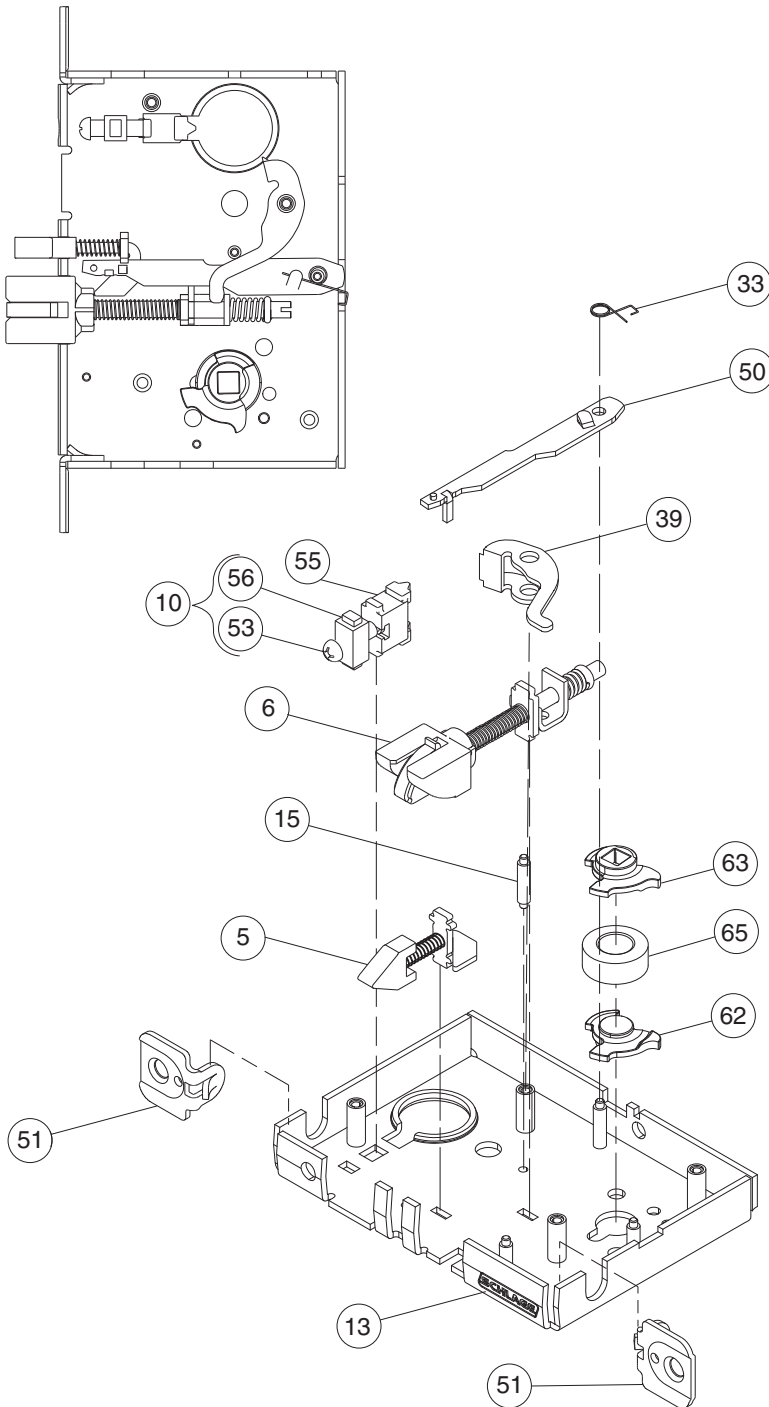


Number	Description	Part Number
5	Auxiliary Latchbolt	L283-006
6	Latchbolt	L283-008
10	Cylinder Plate & Screw	L283-055
13	L9000 Lock Case	L283-112
15	Standoff Post	L583-004
33	Stop Spring	L583-044
39	Transfer Lever	L583-051
42	Spindle Anchor	L583-057
50	Auxiliary Stop	L583-196
51	1¼" Faceplate Tab	L583-426
52	Case Cover Screws	L583-454
53	Cylinder Retainer Screw	L583-481
55	Cylinder Retainer	L583-490
56	Screw Plate	L583-492
58	Lock Case Cover	L583-496

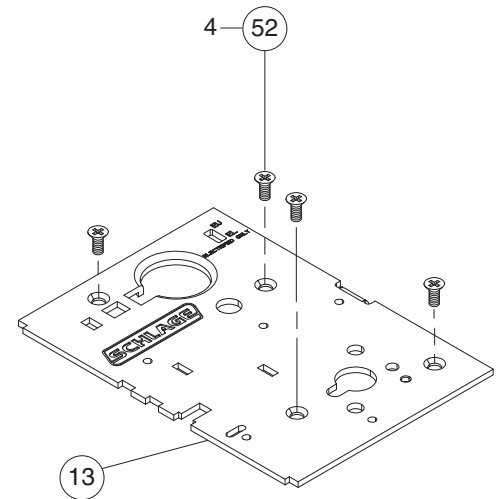


LV9082

Assembled Lock Case L283-610



Number	Description	Part Number
5	Auxiliary Latchbolt	L283-006
6	Latchbolt	L283-008
10	Cylinder Plate & Screw	L283-055
13	LV9000 Lock Case, Cover	L283-594
15	Standoff Post	L583-004
33	Stop Spring	L583-044
39	Transfer Lever	L583-051
50	Auxiliary Stop	L583-196
51	1¼" Faceplate Tab	L583-426
52	Case Cover Screws	L583-454
53	Cylinder Retainer Screw	L583-481
55	Cylinder Retainer	L583-490
56	Screw Plate	L583-492
62	Bottom Hub	L583-765
63	Top Hub	L583-767
65	Spacer	L583-346

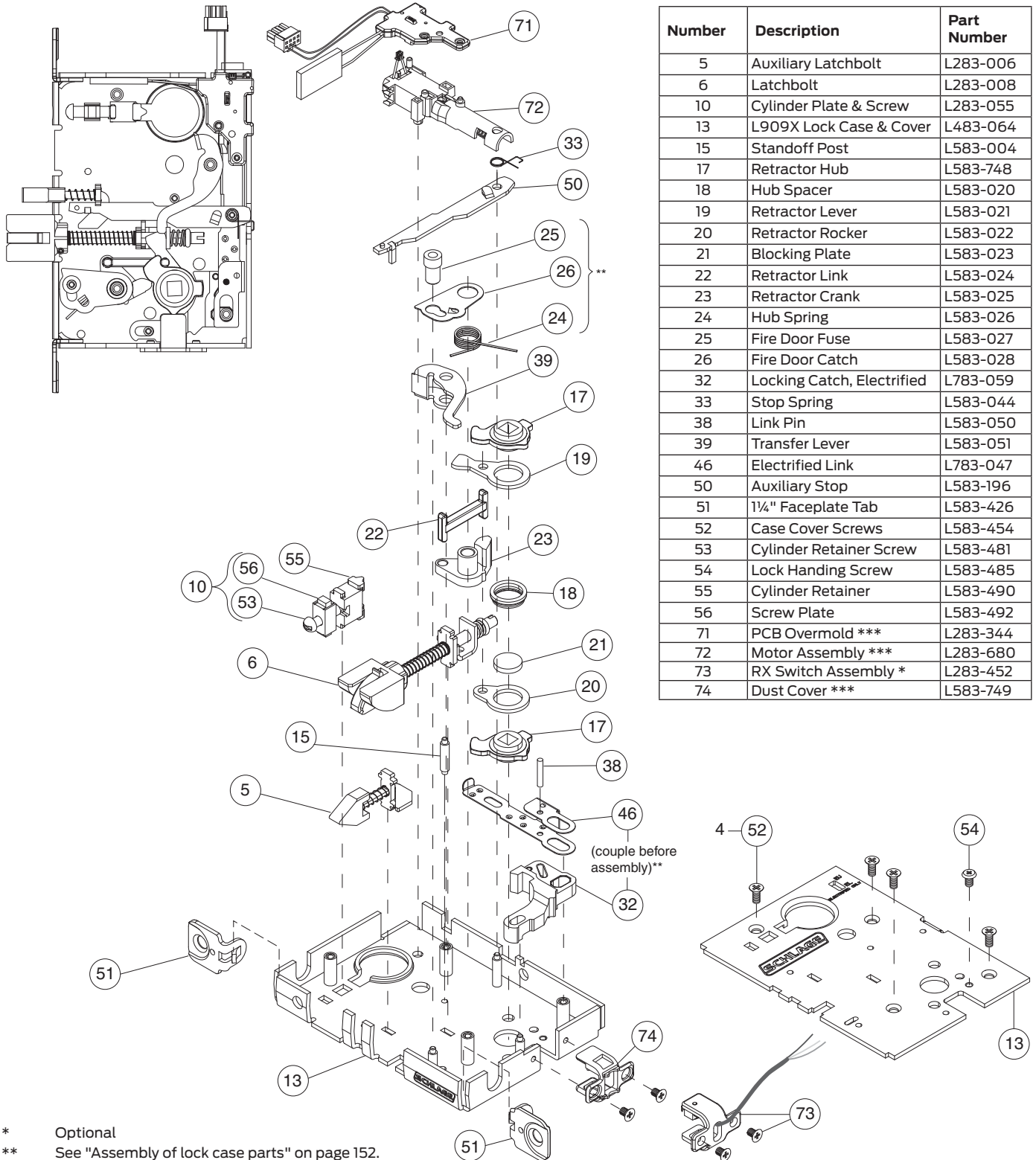


L9090EL/EU, L9092EL/EU, L9094EL/EU

Assembled Lock Case Numbers:

L283-347 = EL/EU; L283-392 = EL/EU, RX; L283-393 = EL/EU, LX; L283-394 = EL/EU, LX, RX;

L283-479 = EL/EU, DPS; L283-481 = EL/EU, RX, DPS; L283-483 = EL/EU, RX, LX, DPS; L283-485 = EL/EU, LX, DPS



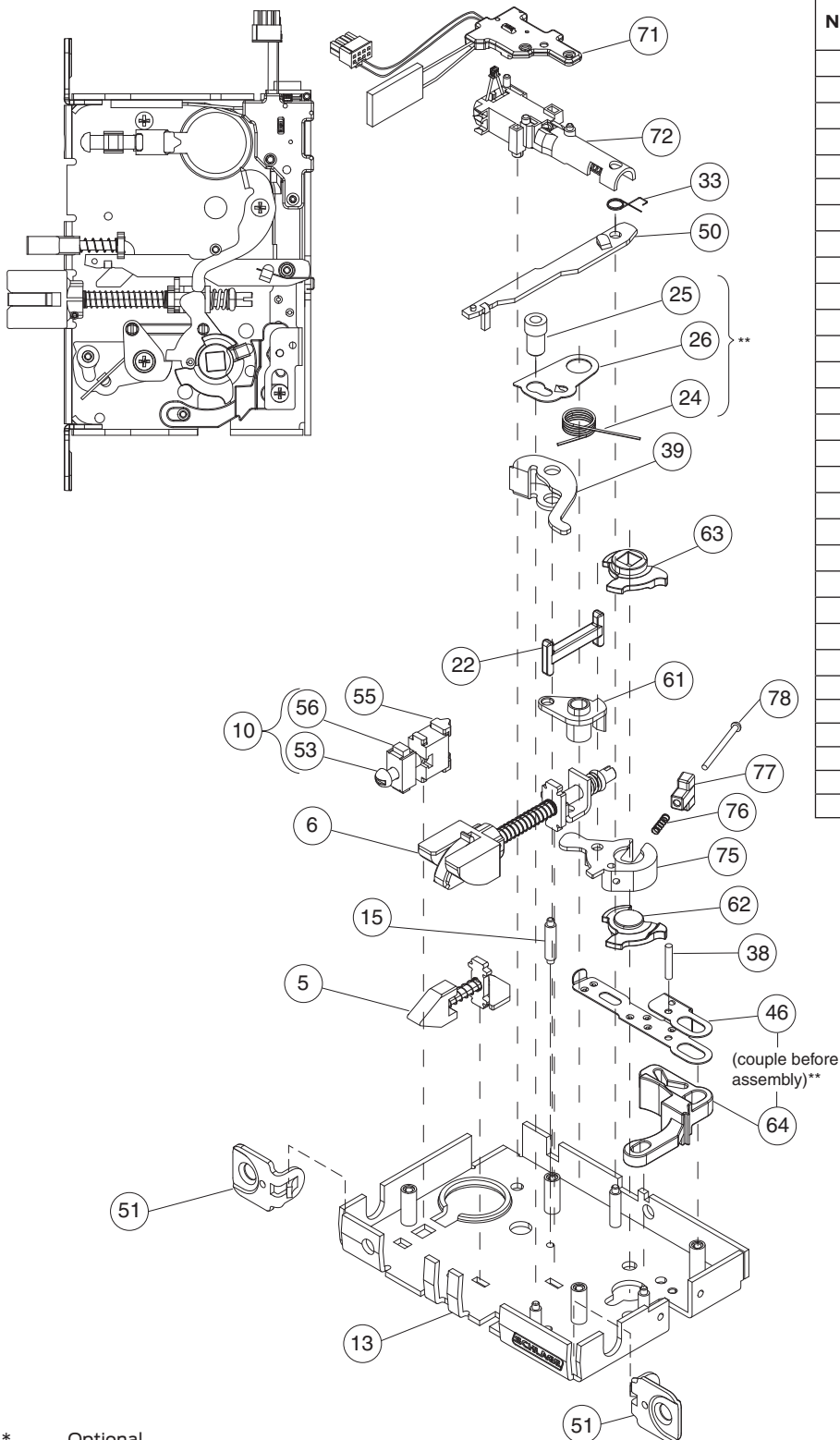
Number	Description	Part Number
5	Auxiliary Latchbolt	L283-006
6	Latchbolt	L283-008
10	Cylinder Plate & Screw	L283-055
13	L909X Lock Case & Cover	L483-064
15	Standoff Post	L583-004
17	Retractor Hub	L583-748
18	Hub Spacer	L583-020
19	Retractor Lever	L583-021
20	Retractor Rocker	L583-022
21	Blocking Plate	L583-023
22	Retractor Link	L583-024
23	Retractor Crank	L583-025
24	Hub Spring	L583-026
25	Fire Door Fuse	L583-027
26	Fire Door Catch	L583-028
32	Locking Catch, Electrified	L783-059
33	Stop Spring	L583-044
38	Link Pin	L583-050
39	Transfer Lever	L583-051
46	Electrified Link	L783-047
50	Auxiliary Stop	L583-196
51	1 1/4" Faceplate Tab	L583-426
52	Case Cover Screws	L583-454
53	Cylinder Retainer Screw	L583-481
54	Lock Handing Screw	L583-485
55	Cylinder Retainer	L583-490
56	Screw Plate	L583-492
71	PCB Overmold ***	L283-344
72	Motor Assembly ***	L283-680
73	RX Switch Assembly *	L283-452
74	Dust Cover ***	L583-749

* Optional
 ** See "Assembly of lock case parts" on page 152.
 *** Not sold separately.

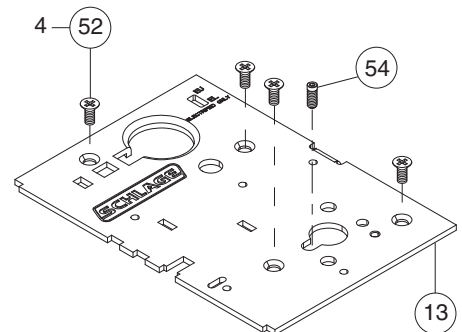
Lock case assemblies

LV9090EL/EU, LV9092EL/EU, LV9094EL/EU

Assembled Lock Case L283-597



Number	Description	Part Number
5	Auxiliary Latchbolt	L283-006
6	Latchbolt	L283-008
10	Cylinder Plate & Screw	L283-055
13	L909X Lock Case & Cover	L483-064
15	Standoff Post	L583-004
22	Retractor Link	L583-024
24	Hub Spring	L583-026
25	Fire Door Fuse	L583-027
26	Fire Door Catch	L583-028
33	Stop Spring	L583-044
38	Link Pin	L583-050
39	Transfer Lever	L583-051
46	Electrified Link	L783-047
50	Auxiliary Stop	L583-196
51	1 1/4" Faceplate Tab	L583-426
52	Case Cover Screws	L583-454
53	Cylinder Retainer Screw	L583-481
54	Lock Handing Screw	L583-902
55	Cylinder Retainer	L583-490
56	Screw Plate	L583-492
61	Retractor Crank	L583-383
62	Bottom Hub	L583-765
63	Top Hub	L583-767
64	Locking Catch	L583-769
71	PCB Overmold	L283-344
72	Motor Assembly	L283-680
75	Retractor Lever	L583-768
76	Compression Spring	L583-388
77	Locker	47274119
78	Pusher Pin	47274169

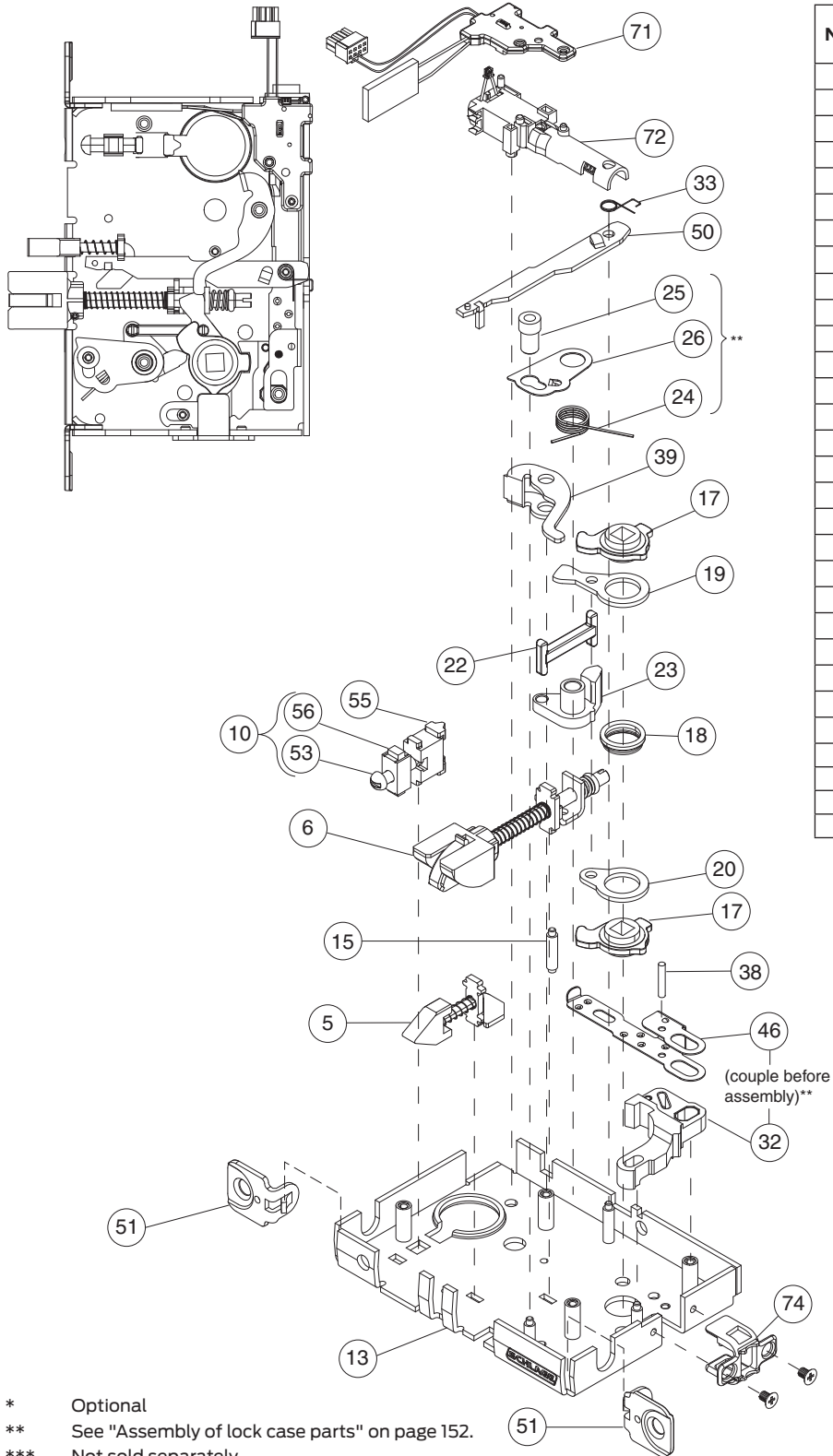


* Optional
 ** See "Assembly of lock case parts" on page 152.
 *** Not sold separately.

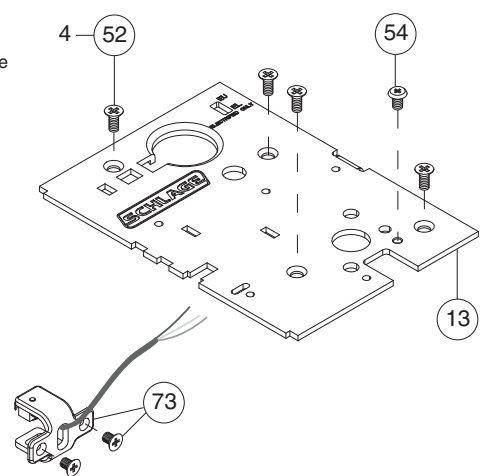
L9091 EL/EU, L9093 EL/EU, L9095 EL/EU

Assembled Lock Case Numbers:

**L283-395 = EL/EU; L283-396 = EL/EU, RX; L283-397 = EL/EU, LX; L283-398 = EL/EU, LX, RX;
L283-480 = EL/EU, DPS; L283-482 = EL/EU, RX, DPS; L283-484 = EL/EU, RX, LX, DPS; L283-486 = EL/EU, LX, DPS**



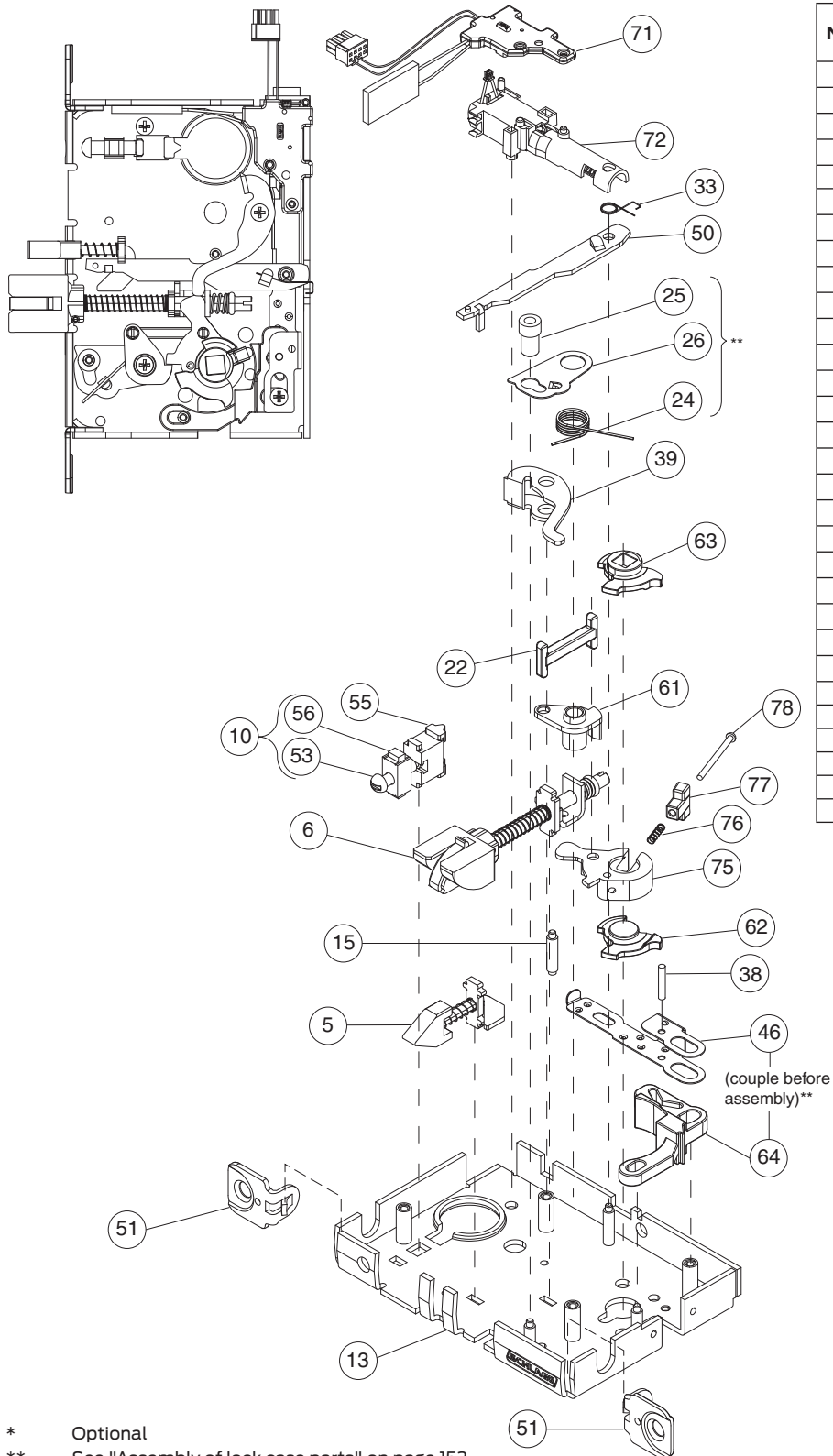
Number	Description	Part Number
5	Auxiliary Latchbolt	L283-006
6	Latchbolt	L283-008
10	Cylinder Plate & Screw	L283-055
13	L909X Lock Case & Cover	L483-064
15	Standoff Post	L583-004
17	Retractor Hub	L583-748
18	Hub Spacer	L583-020
19	Retractor Lever	L583-021
20	Retractor Rocker	L583-022
22	Retractor Link	L583-024
23	Retractor Crank	L583-025
24	Hub Spring	L583-026
25	Fire Door Fuse	L583-027
26	Fire Door Catch	L583-028
32	Locking Catch, Electrified	L783-059
33	Stop Spring	L583-044
38	Link Pin	L583-050
39	Transfer Lever	L583-051
46	Electrified Link	L783-047
50	Auxiliary Stop	L583-196
51	1/4" Faceplate Tab	L583-426
52	Case Cover Screws	L583-454
53	Cylinder Retainer Screw	L583-481
54	Lock Handling Screw	L583-485
55	Cylinder Retainer	L583-490
56	Screw Plate	L583-492
71	PCB Overmold ***	L283-344
72	Motor Assembly ***	L283-680
73	RX Switch Assembly *	L283-452
74	Dust Cover ***	L583-749



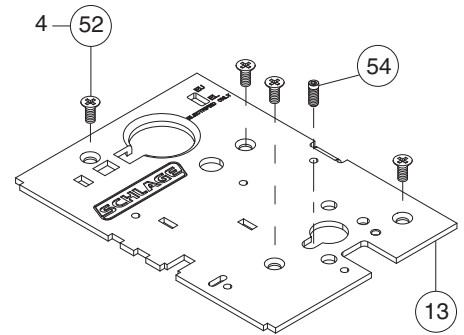
* Optional
 ** See "Assembly of lock case parts" on page 152.
 *** Not sold separately.

LV9091 EL/EU, LV9093 EL/EU, LV9095 EL/EU

Assembled Lock Case L283-598



Number	Description	Part Number
5	Auxiliary Latchbolt	L283-006
6	Latchbolt	L283-008
10	Cylinder Plate & Screw	L283-055
13	L909X Lock Case & Cover	L283-595
15	Standoff Post	L583-004
22	Retractor Link	L583-024
24	Hub Spring	L583-026
25	Fire Door Fuse	L583-027
26	Fire Door Catch	L583-028
33	Stop Spring	L583-044
38	Link Pin	L583-050
39	Transfer Lever	L583-051
46	Electrified Link	L783-047
50	Auxiliary Stop	L583-196
51	1¼" Faceplate Tab	L583-426
52	Case Cover Screws	L583-454
53	Cylinder Retainer Screw	L583-481
54	Lock Handing Screw	L583-902
55	Cylinder Retainer	L583-490
56	Screw Plate	L583-492
61	Retractor Crank	L583-383
62	Bottom Hub	L583-765
63	Top Hub	L583-767
64	Locking Catch	L583-769
71	PCB Overmold	L283-344
72	Motor Assembly	L283-680
75	Retractor Lever	L583-768
76	Compression Spring	L583-388
77	Locker	47274119
78	Pusher Pin	47274169

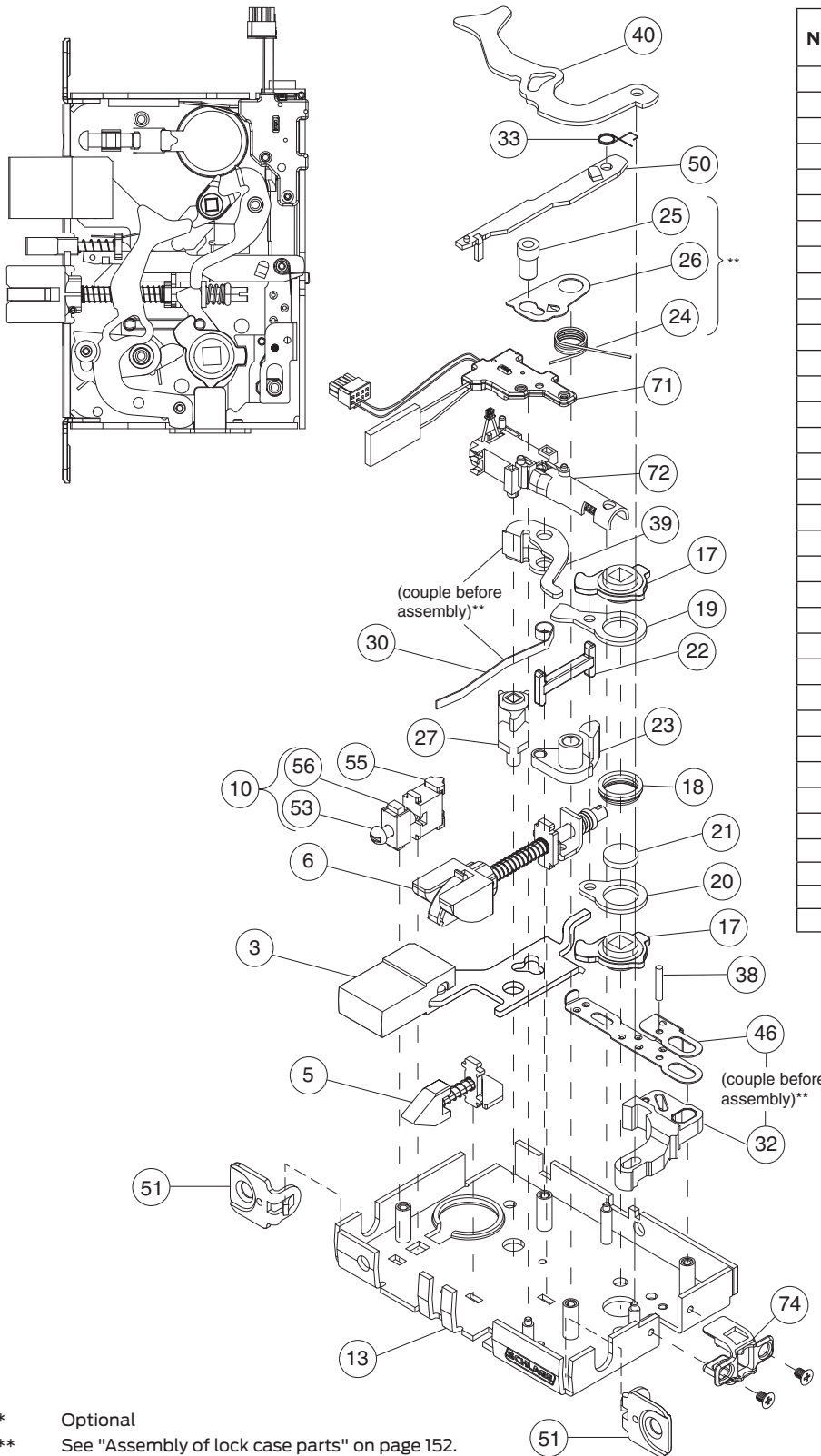


* Optional
 ** See "Assembly of lock case parts" on page 152.
 *** Not sold separately.

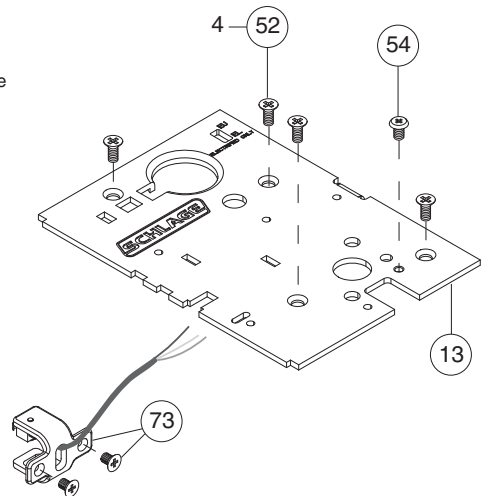
L9492 EL/EU, L9494 EL/EU

Assembled Lock Case Numbers:

L283-471 = EL/EU; L283-473 = EL/EU, RX; L283-477 = EL/EU, LX; L283-475 = EL/EU, RX, LX



Number	Description	Part Number
3	Deadbolt Assembly	L283-676
5	Auxiliary Latchbolt	L283-006
6	Latchbolt	L283-008
10	Cylinder Plate & Screw	L283-055
13	L909X Lock Case & Cover	L483-064
17	Retractor Hub	L583-748
18	Hub Spacer	L583-020
19	Retractor Lever	L583-021
20	Retractor Rocker	L583-022
21	Blocking Plate	L583-023
22	Retractor Link	L583-024
23	Retractor Crank	L583-025
24	Hub Spring	L583-026
25	Fire Door Fuse	L583-027
26	Fire Door Catch	L583-028
27	Turn Hub	L283-029
30	Turn Hub Spring	L583-035
32	Locking Catch, Electrified	L783-059
33	Stop Spring	L583-044
38	Link Pin	L583-050
39	Transfer Lever	L583-051
40	Simultaneous retractor	L583-053
46	Electrified Link	L783-047
50	Auxiliary Stop	L583-196
51	1¼" Faceplate Tab	L583-426
52	Case Cover Screws	L583-454
53	Cylinder Retainer Screw	L583-481
54	Lock Handling Screw	L583-485
55	Cylinder Retainer	L583-490
56	Screw Plate	L583-492
71	PCB Overmold ***	L283-344
72	Motor Assembly ***	L283-680
73	RX Switch Assembly *	L283-452
74	Dust Cover ***	L583-749

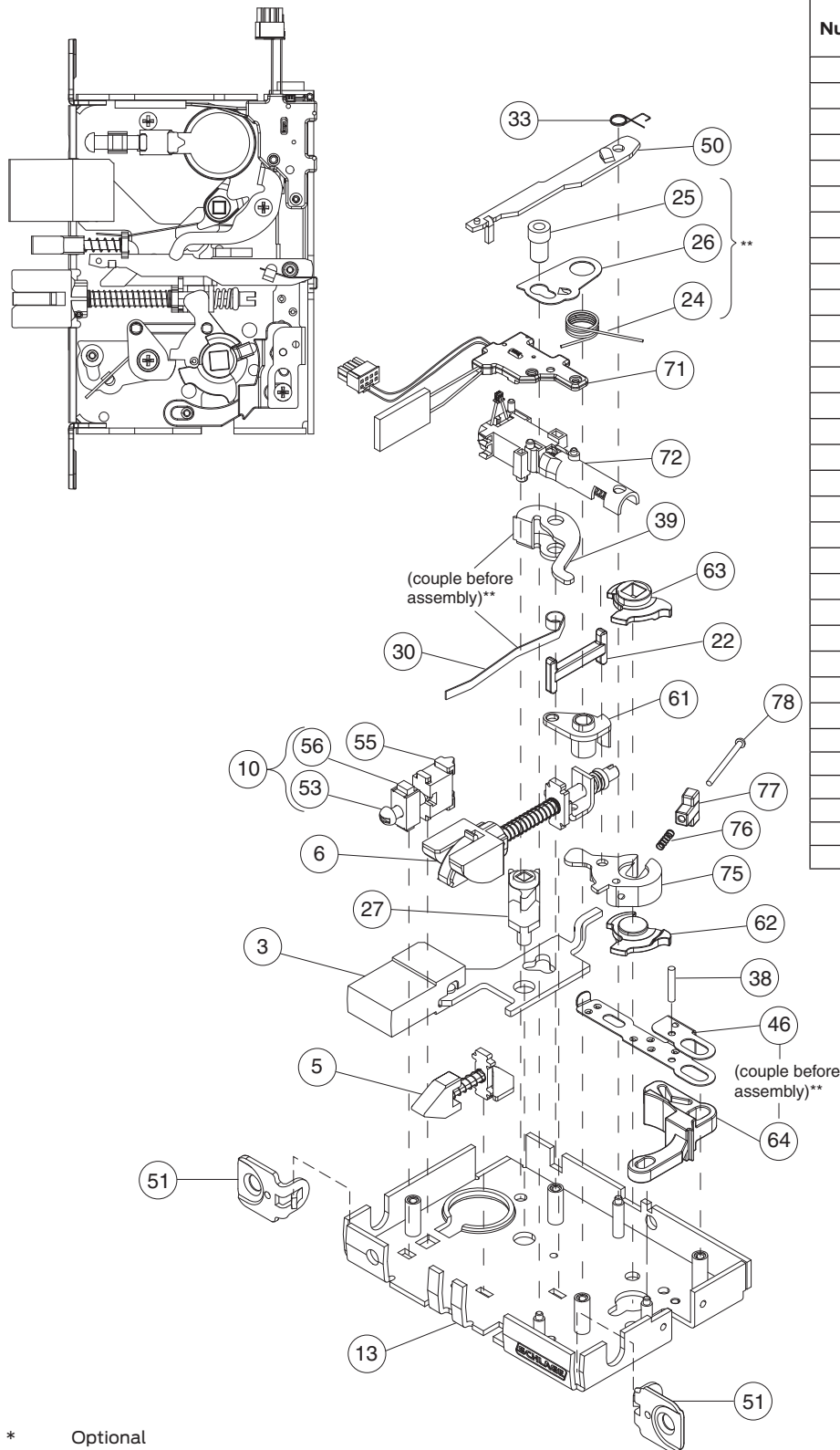


* Optional
 ** See "Assembly of lock case parts" on page 152.
 *** Not sold separately.

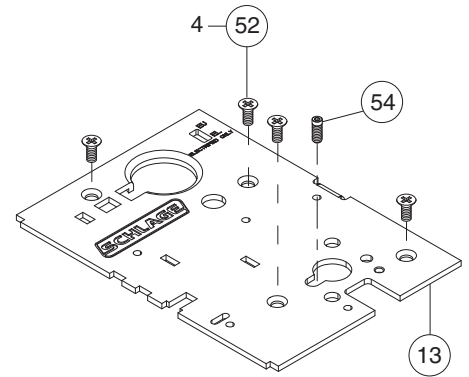
Lock case assemblies

LV9492 EL/EU, LV9494 EL/EU

Assembled Lock Case L283-599



Number	Description	Part Number
3	Deadbolt	L283-676
5	Auxiliary Latchbolt	L283-006
6	Latchbolt	L283-008
10	Cylinder Plate & Screw	L283-055
13	L909X Lock Case & Cover	L283-595
22	Retractor Link	L583-024
24	Hub Spring	L583-026
25	Fire Door Fuse	L583-027
26	Fire Door Catch	L583-028
27	Turn Hub	L283-029
30	Turn Hub Spring	L583-035
33	Stop Spring	L583-044
38	Link Pin	L583-050
39	Transfer Lever	L583-051
46	Electrified Link	L783-047
50	Auxiliary Stop	L583-196
51	1¼" Faceplate Tab	L583-426
52	Case Cover Screws	L583-454
53	Cylinder Retainer Screw	L583-481
54	Lock Handling Screw	L583-902
55	Cylinder Retainer	L583-490
56	Screw Plate	L583-492
61	Retractor Crank	L583-383
62	Bottom Hub	L583-765
63	Top Hub	L583-767
64	Locking Catch	L583-769
71	PCB Overmold	L283-344
72	Motor Assembly	L283-680
75	Retractor Lever	L583-768
76	Compression Spring	L583-388
77	Locker	47274119
78	Pusher Pin	47274169

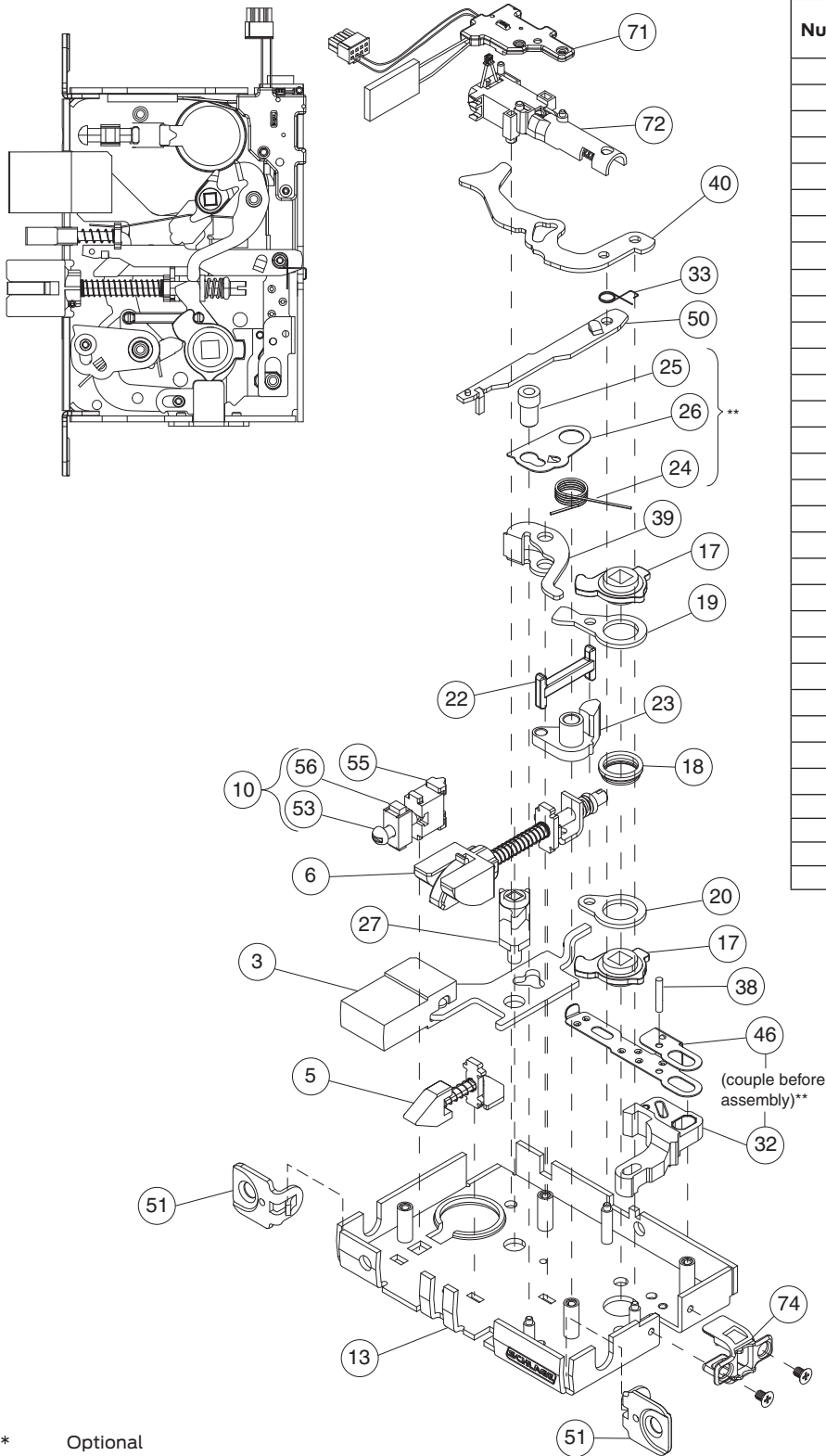


* Optional
 ** See "Assembly of lock case parts" on page 152.
 *** Not sold separately.

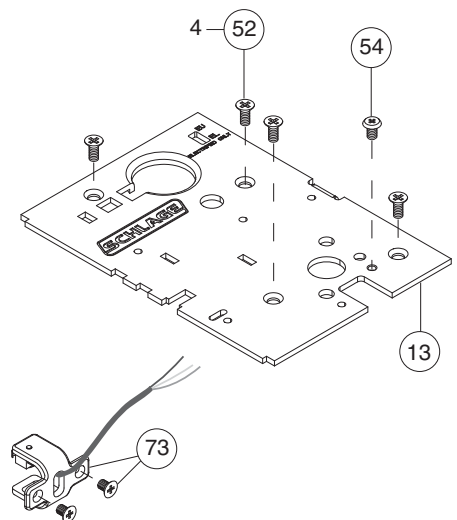
L9493 EL/EU, L9495 EL/EU

Assembled Lock Case Numbers:

L283-472 = EL/EU; L283-474 = EL/EU, RX; L283-478 = EL/EU, LX; L283-476 = EL/EU, RX, LX



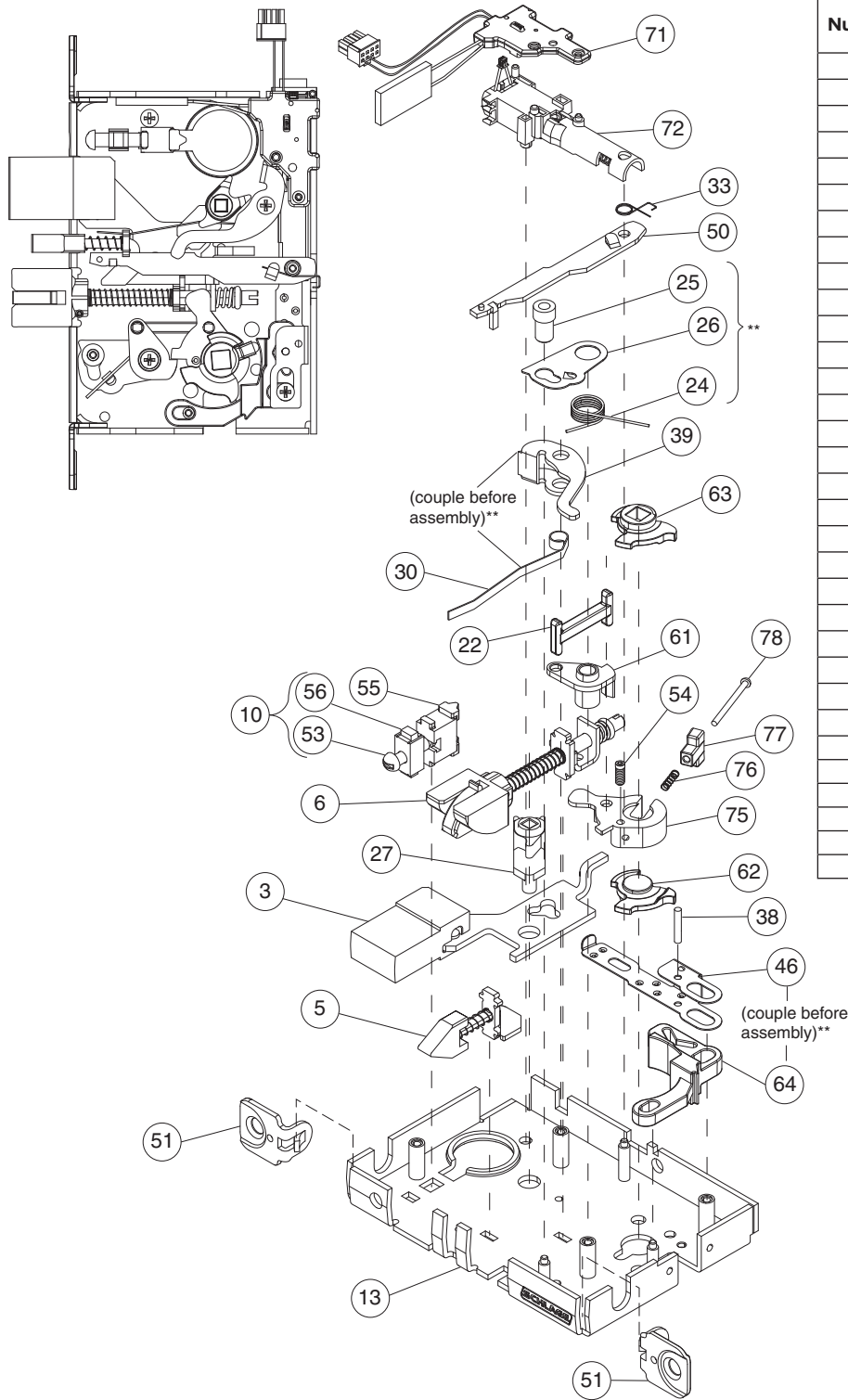
Number	Description	Part Number
3	Deadbolt Assembly	L283-676
5	Auxiliary Latchbolt	L283-006
6	Latchbolt	L283-008
10	Cylinder Plate & Screw	L283-055
13	L909X Lock Case & Cover	L483-064
17	Retractor Hub	L583-748
18	Hub Spacer	L583-020
19	Retractor Lever	L583-021
20	Retractor Rocker	L583-022
22	Retractor Link	L583-024
23	Retractor Crank	L583-025
24	Hub Spring	L583-026
25	Fire Door Fuse	L583-027
26	Fire Door Catch	L583-028
27	Turn Hub	L283-029
32	Locking Catch, Electrified	L783-059
33	Stop Spring	L583-044
38	Link Pin	L583-050
39	Transfer Lever	L583-051
40	Simultaneous Retractor	L583-053
46	Electrified Link	L783-047
50	Auxiliary Stop	L583-196
51	1 1/4" Faceplate Tab	L583-426
52	Case Cover Screws	L583-454
53	Cylinder Retainer Screw	L583-481
54	Lock Handing Screw	L583-485
55	Cylinder Retainer	L583-490
56	Screw Plate	L583-492
71	PCB Overmold ***	L283-344
72	Motor Assembly ***	L283-680
73	RX Switch Assembly *	L283-452
74	Dust Cover ***	L583-749



* Optional
 ** See "Assembly of lock case parts" on page 152.
 *** Not sold separately.

LV9493 EL/EU, LV9495 EL/EU

Assembled Lock Case L283-600



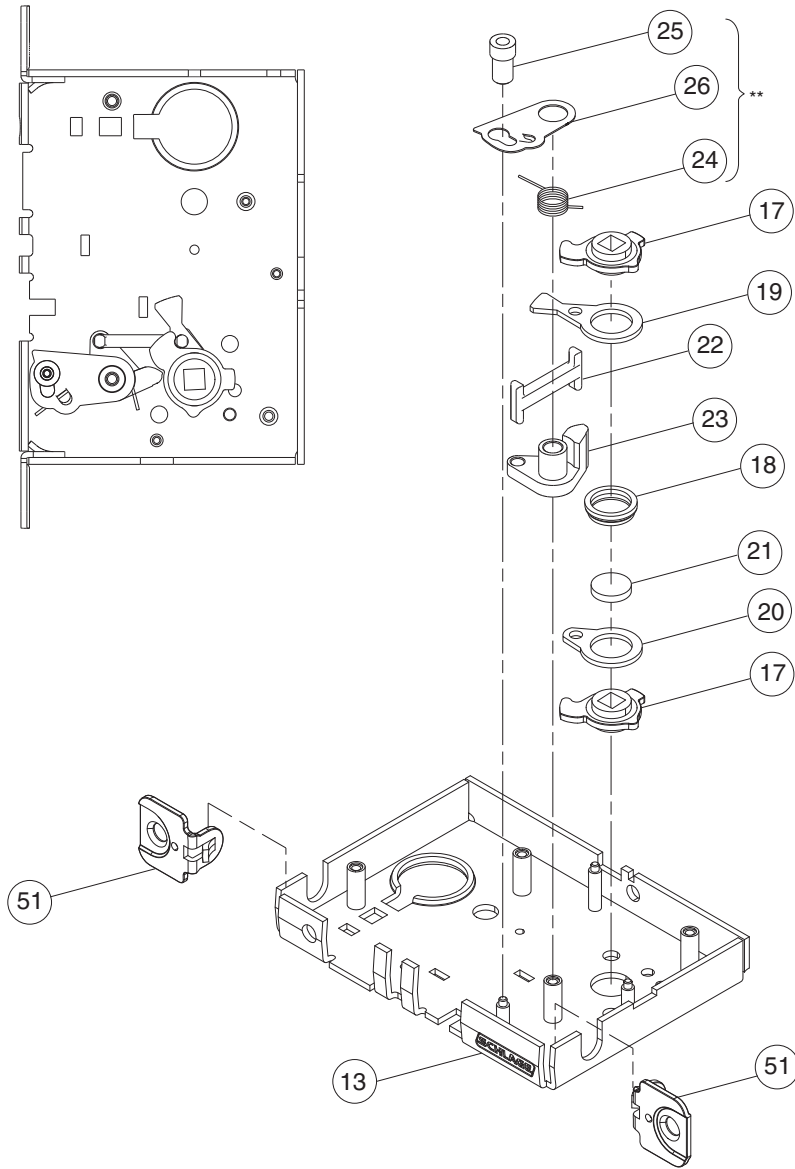
Number	Description	Part Number
3	Deadbolt	L283-676
5	Auxiliary Latchbolt	L283-006
6	Latchbolt	L283-008
10	Cylinder Plate & Screw	L283-055
13	L909X Lock Case & Cover	L283-595
22	Retractor Link	L583-024
24	Hub Spring	L583-026
25	Fire Door Fuse	L583-027
26	Fire Door Catch	L583-028
27	Turn Hub	L283-029
30	Turn Hub Spring	L583-035
33	Stop Spring	L583-044
38	Link Pin	L583-050
39	Transfer Lever	L583-051
46	Locking Link	L783-047
50	Auxiliary Stop	L583-196
51	1 1/4" Faceplate Tab	L583-426
52	Case Cover Screws	L583-454
53	Cylinder Retainer Screw	L583-481
54	Lock Handing Screw	L583-902
55	Cylinder Retainer	L583-490
56	Screw Plate	L583-492
61	Retractor Crank	L583-383
62	Bottom Hub	L583-765
63	Top Hub	L583-767
64	Locking Catch	L583-769
71	PCB Overmold	L283-344
72	Motor Assembly	L283-680
75	Retractor Lever	L583-768
76	Compression Spring	L583-388
77	Locker	47274119
78	Pusher Pin	47274169

* Optional
 ** See "Assembly of lock case parts" on page 152.
 *** Not sold separately.

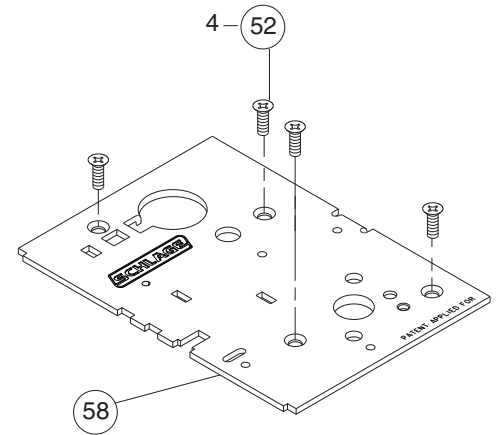
Lock case assemblies

L9110 x XL11-741

Assembled Lock Case XL11-741



Number	Description	Part Number
13	L9000 Lock Case	L283-112
17	Retractor Hub	L583-748
18	Hub Spacer	L583-020
19	Retractor Lever	L583-021
20	Retractor Rocker	L583-022
21	Blocking Plate	L583-023
22	Retractor Link	L583-024
23	Retractor Crank	L583-025
24	Hub Spring	L583-026
25	Fire Door Fuse	L583-027
26	Fire Door Catch	L583-028
51	1 1/4" Faceplate Tab	L583-426
52	Case Cover Screws	L583-454
58	Lock Case Cover	L583-496



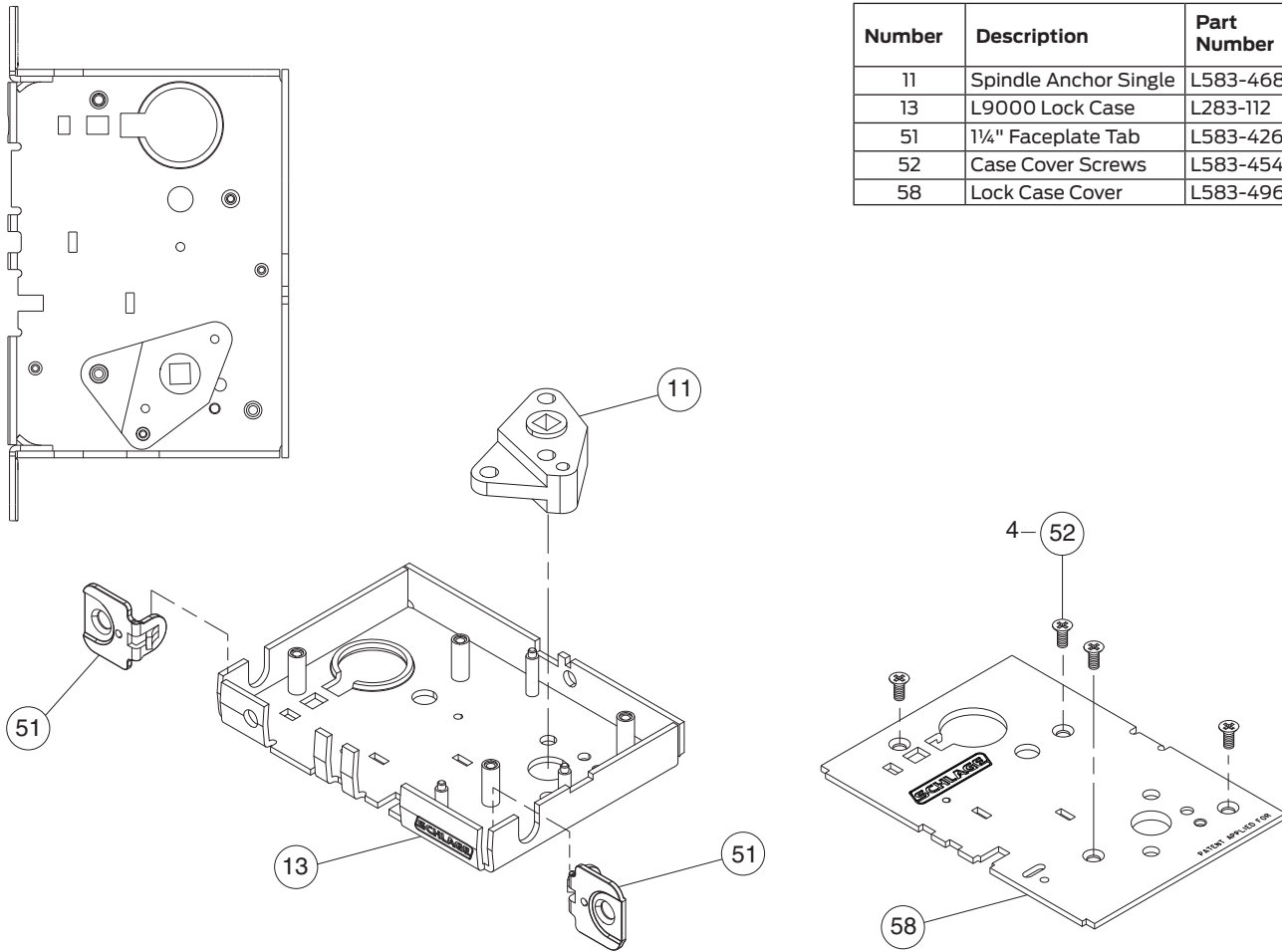
** See "Assembly of lock case parts" on page 152.

Lock case assemblies

L9175

Assembled Lock Case L283-144

Number	Description	Part Number
11	Spindle Anchor Single	L583-468
13	L9000 Lock Case	L283-112
51	1¼" Faceplate Tab	L583-426
52	Case Cover Screws	L583-454
58	Lock Case Cover	L583-496

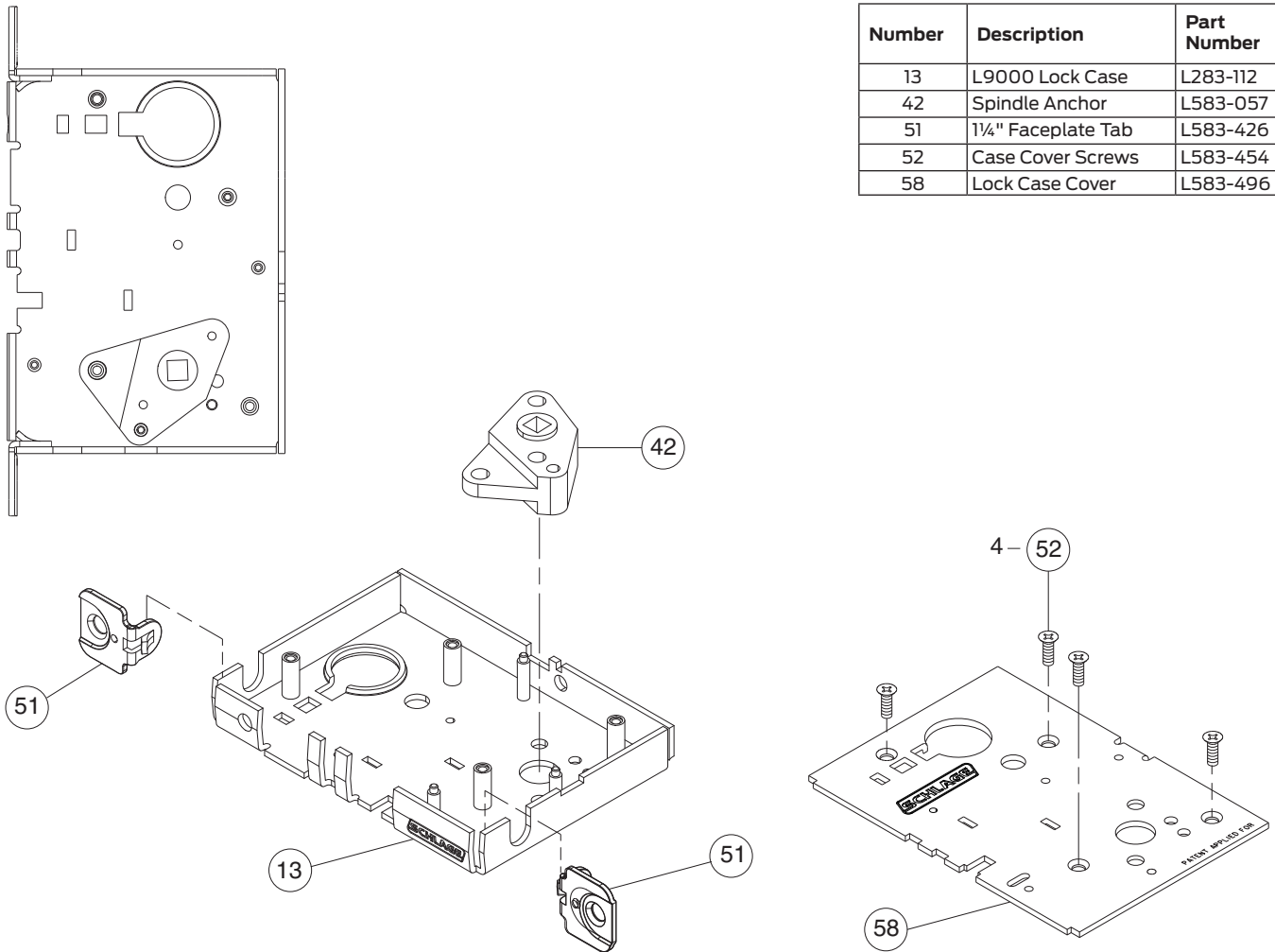


Lock case assemblies

L9176

Assembled Lock Case L283-145

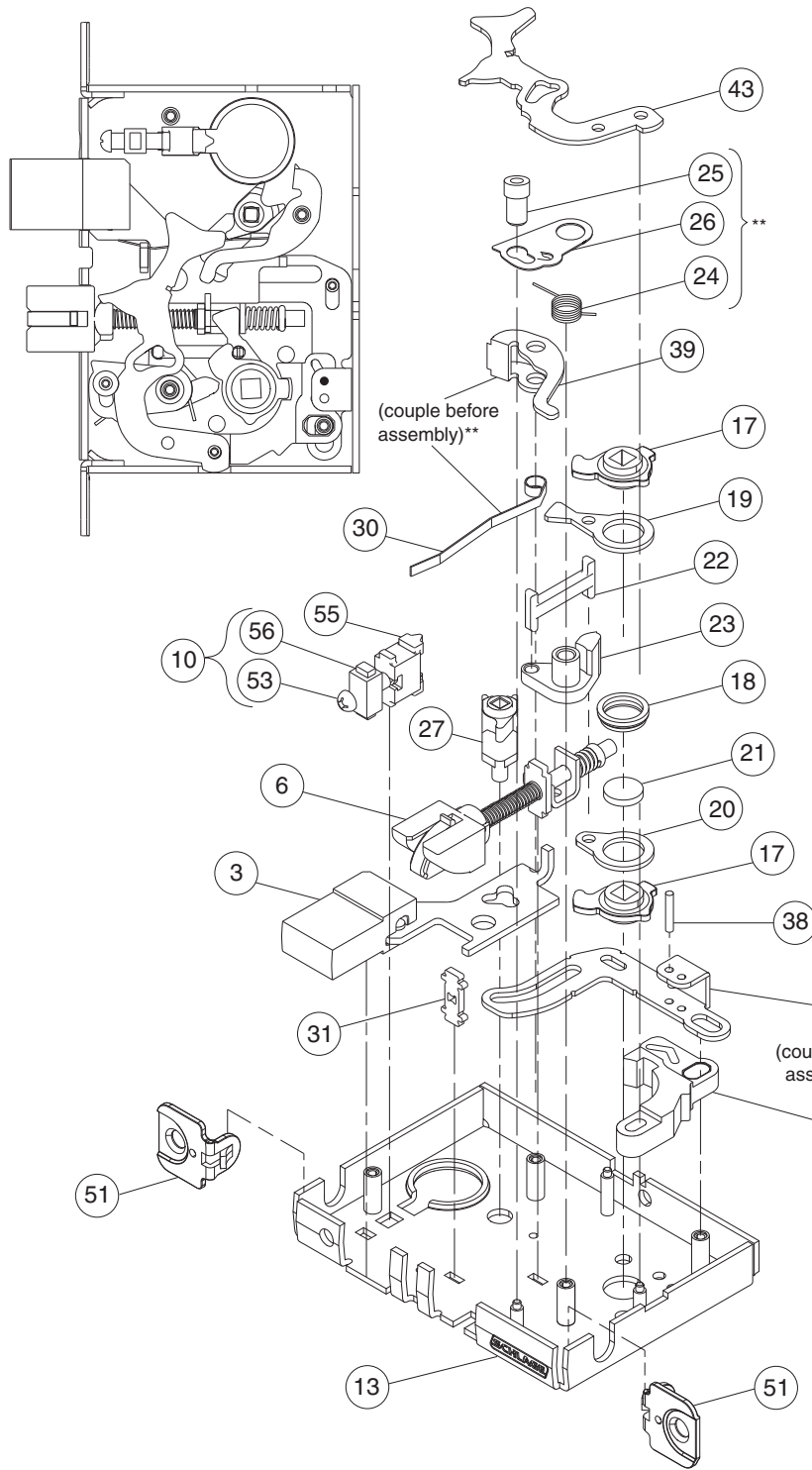
Number	Description	Part Number
13	L9000 Lock Case	L283-112
42	Spindle Anchor	L583-057
51	1¼" Faceplate Tab	L583-426
52	Case Cover Screws	L583-454
58	Lock Case Cover	L583-496



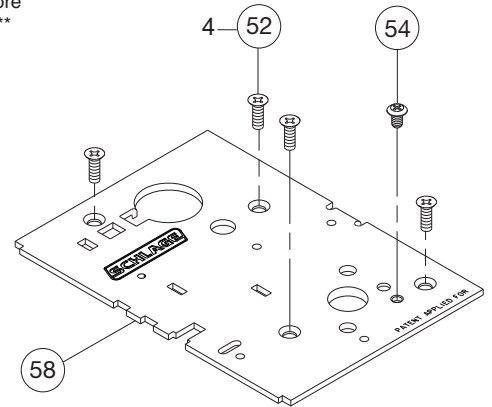
Lock case assemblies

L9440, L9444

Assembled Lock Case L283-062



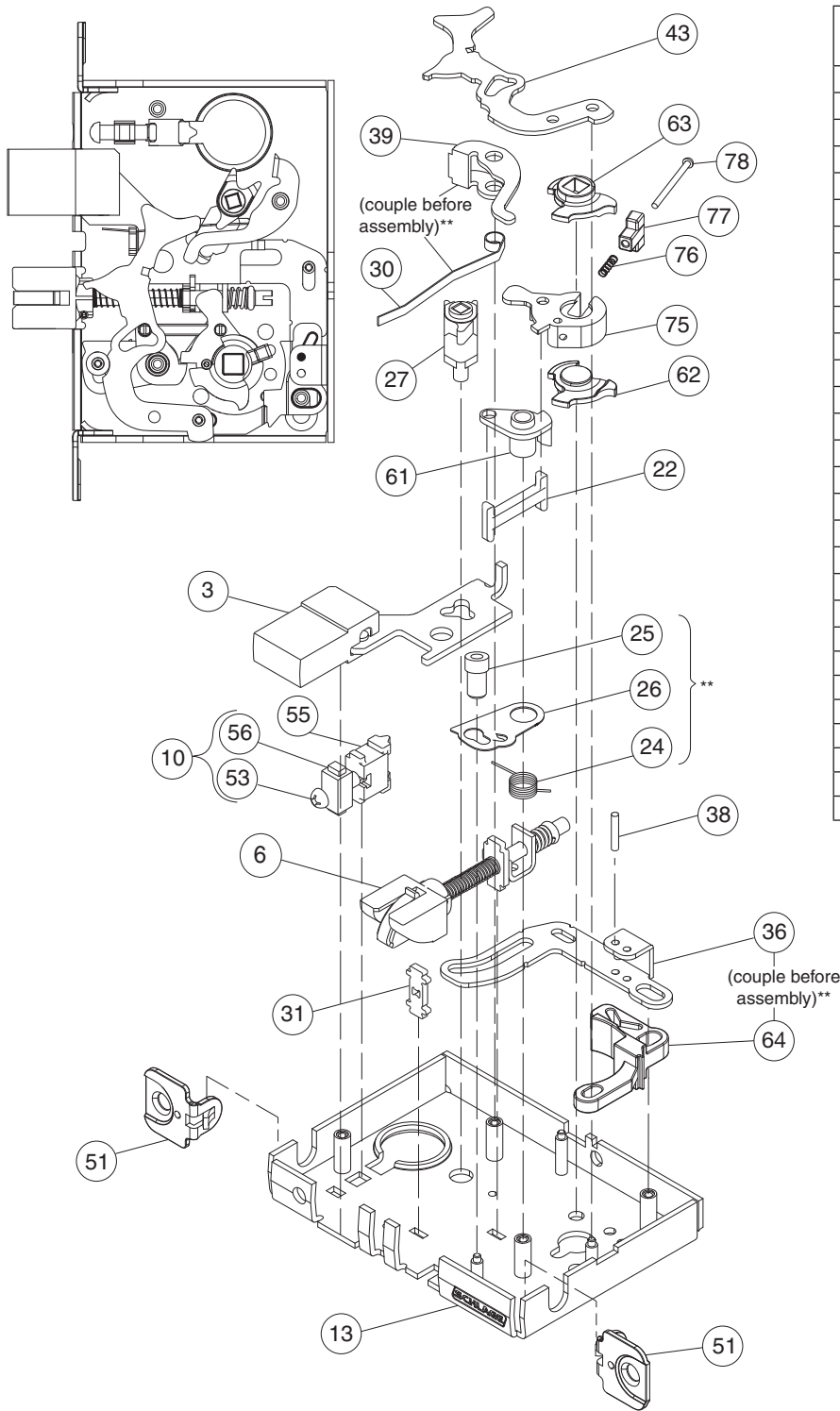
Number	Description	Part Number
3	Deadbolt	L283-003
6	Latchbolt	L283-008
10	Cylinder Plate & Screw	L283-055
13	L9000 Lock Case	L283-112
17	Retractor Hub	L583-748
18	Hub Spacer	L583-020
19	Retractor Lever	L583-021
20	Retractor Rocker	L583-022
21	Blocking Plate	L583-023
22	Retractor Link	L583-024
23	Retractor Crank	L583-025
24	Hub Spring	L583-026
25	Fire Door Fuse	L583-027
26	Fire Door Catch	L583-028
27	Turn Hub	L583-029
30	Turn Hub Spring	L583-035
31	Auxiliary Bar Guide	L583-038
34	Locking Catch	L583-045
36	Locking Link	L583-048
38	Link Pin	L583-050
39	Transfer Lever	L583-051
43	Simultaneous Retractor	L583-058
51	1 1/4" Faceplate Tab	L583-426
52	Case Cover Screws	L583-454
53	Cylinder Retainer Screw	L583-481
54	Lock Handling Screw	L583-485
55	Cylinder Retainer	L583-490
56	Screw Plate	L583-492
58	Lock Case Cover	L583-496



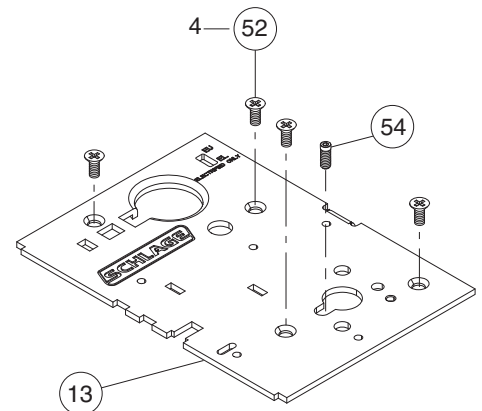
** See "Assembly of lock case parts" on page 152.

LV9440, LV9444

Assembled Lock Case L283-609



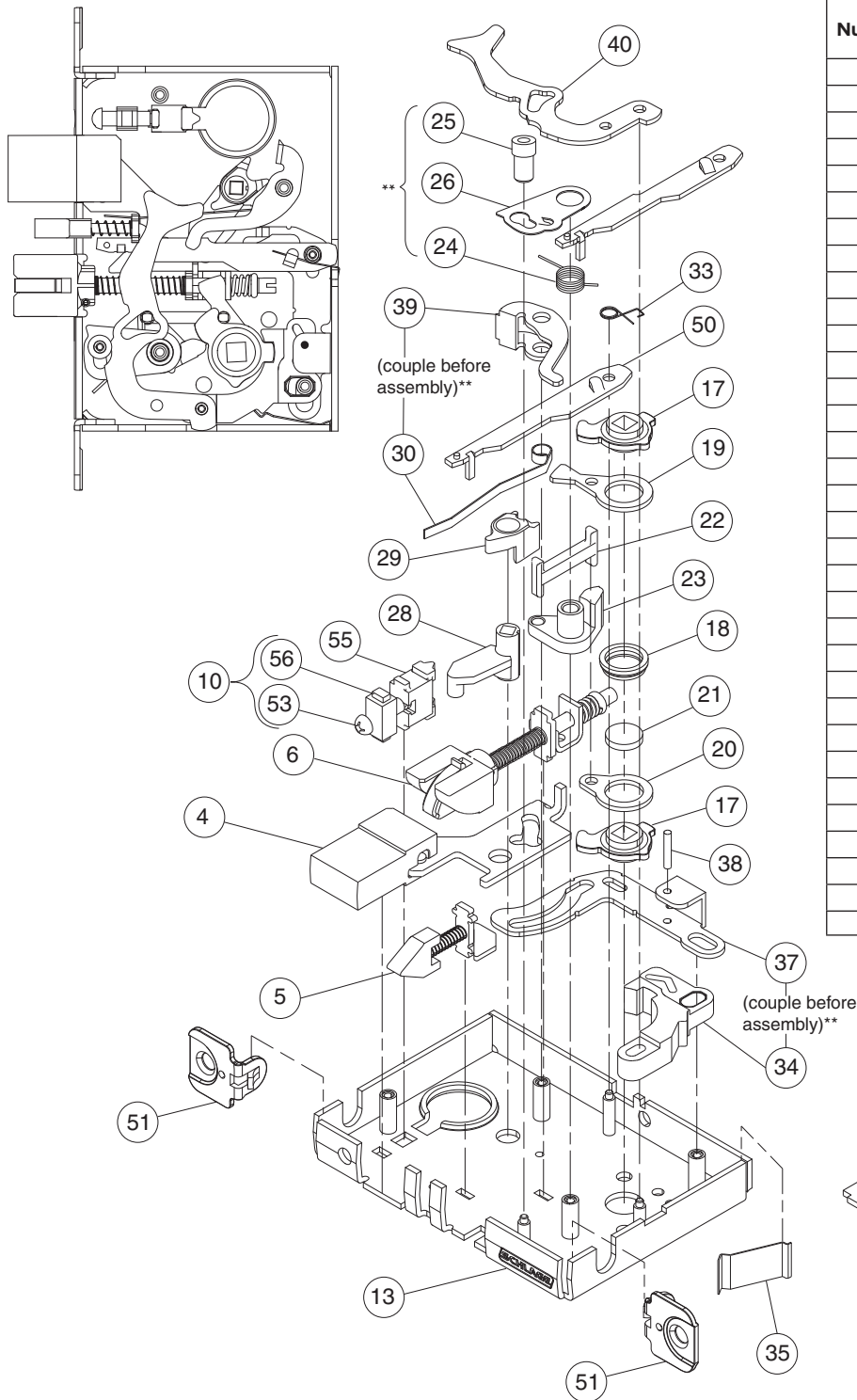
Number	Description	Part Number
3	Deadbolt	L283-003
6	Latchbolt	L283-008
10	Cylinder Plate & Screw	L283-055
13	LV9000 Lock Case, Cover	L283-594
22	Retractor Link	L583-024
24	Hub Spring	L583-026
25	Fire Door Fuse	L583-027
26	Fire Door Catch	L583-028
27	Turn Hub	L583-029
30	Turn Hub Spring	L583-035
31	Auxiliary Bar Guide	L583-038
36	Locking Link	L583-048
38	Link Pin	L583-050
39	Transfer Lever	L583-051
43	Simultaneous Retractor	L583-058
51	1¼" Faceplate Tab	L583-426
52	Case Cover Screws	L583-454
53	Cylinder Retainer Screw	L583-481
54	Lock Handing Screw	L583-485
55	Cylinder Retainer	L583-490
56	Screw Plate	L583-492
61	Crank Retractor	L583-383
62	Bottom Hub	L583-386
63	Top Hub	L583-387
64	Retractor Catch	L583-769
75	Retractor Lever	L583-768
76	Compression Spring	L583-388
77	Locker	L583-764
78	Pusher Pin	L583-778



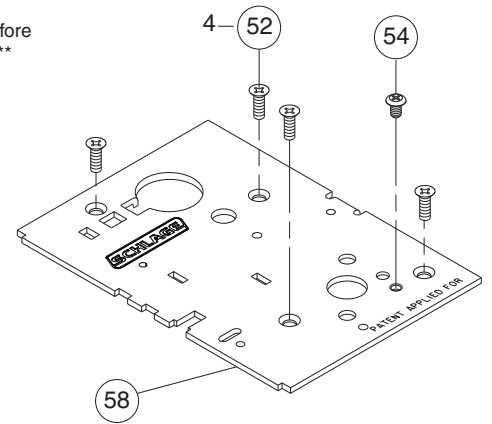
** See "Assembly of lock case parts" on page 152.

L9453

Assembled Lock Case L283-137



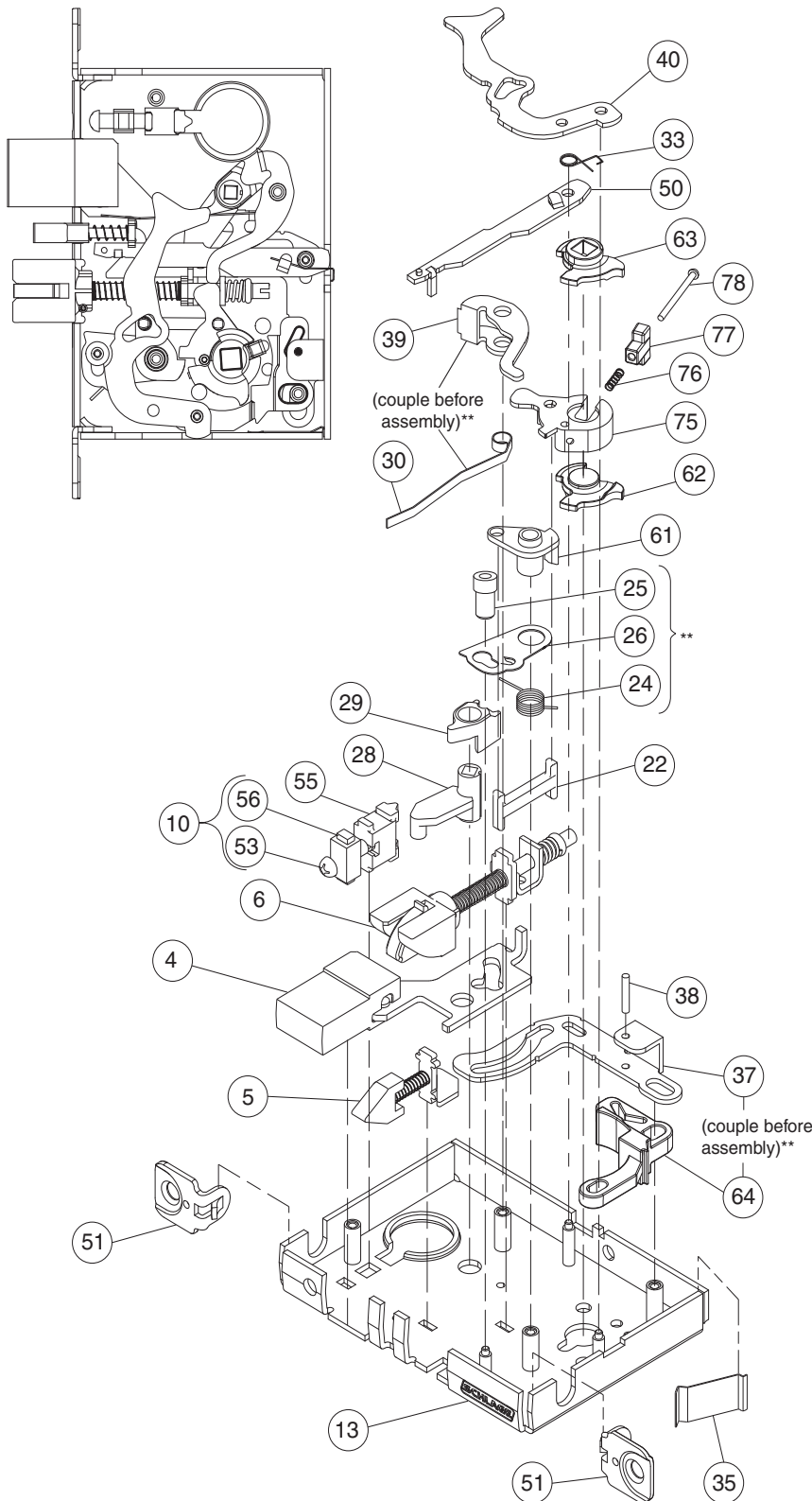
Number	Description	Part Number
4	Entrance Deadbolt	L283-004
5	Auxiliary Latchbolt	L283-006
6	Latchbolt	L283-008
10	Cylinder Plate & Screw	L283-055
13	L9000 Lock Case	L283-112
17	Retractor Hub	L583-748
18	Hub Spacer	L583-020
19	Retractor Lever	L583-021
20	Retractor Rocker	L583-022
21	Blocking Plate	L583-023
22	Retractor Link	L583-024
23	Retractor Crank	L583-025
24	Hub Spring	L583-026
25	Fire Door Fuse	L583-027
26	Fire Door Catch	L583-028
28	Entrance Hub	L583-030
29	Cam Follower	L583-031
30	Turn Hub Spring	L583-035
33	Stop Spring	L583-044
34	Locking Catch	L583-045
35	Catch Spring	L583-047
37	Entrance Link	L583-049
38	Link Pin	L583-050
39	Transfer Lever	L583-051
40	Simultaneous Retractor	L583-053
50	Auxiliary Stop	L583-196
51	1/4" Faceplate Tab	L583-426
52	Case Cover Screws	L583-454
53	Cylinder Retainer Screw	L583-481
54	Lock Handing Screw	L583-485
55	Cylinder Retainer	L583-490
56	Screw Plate	L583-492
58	Lock Case Cover	L583-496



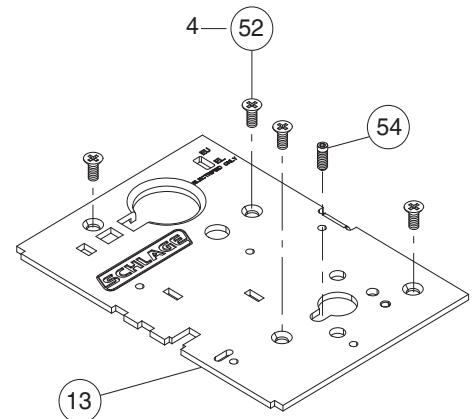
** See "Assembly of lock case parts" on page 152.

LV9453

Assembled Lock Case L283-605



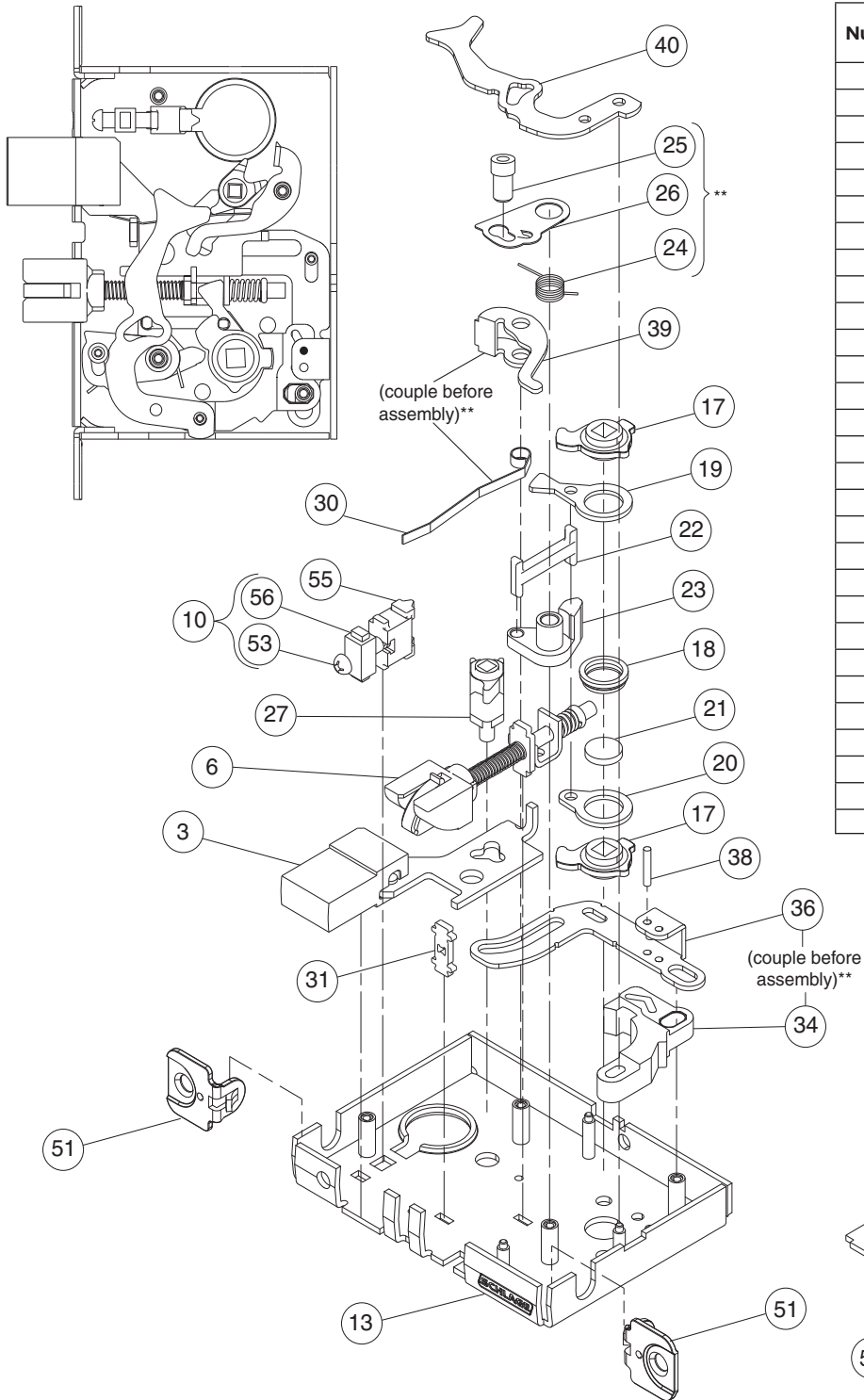
Number	Description	Part Number
4	Entrance Deadbolt	L283-004
5	Auxiliary Latchbolt	L283-006
6	Latchbolt	L283-008
10	Cylinder Plate & Screw	L283-055
13	LV9000 Lock Case, Cover	L283-594
22	Retractor Link	L583-024
24	Hub Spring	L583-026
25	Fire Door Fuse	L583-027
26	Fire Door Catch	L583-028
28	Entrance Hub	L583-030
29	Cam Follower	L583-031
30	Turn Hub Spring	L583-035
33	Stop Spring	L583-044
35	Catch Spring	L583-047
37	Entrance Link	L583-049
38	Link Pin	L583-050
39	Transfer Lever	L583-051
40	Simultaneous Retractor	L583-053
50	Auxiliary Stop	L583-196
51	1¼" Faceplate Tab	L583-426
52	Case Cover Screws	L583-454
53	Cylinder Retainer Screw	L583-481
54	Lock Handing Screw	L583-902
55	Cylinder Retainer	L583-490
56	Screw Plate	L583-492
58	Lock Case Cover	L583-496
61	Crank Retractor	L583-383
62	Bottom Hub	L583-386
63	Top Hub	L583-387
64	Retractor Catch	L583-769
75	Retractor Lever	L583-768
76	Compression Spring	L583-388
77	Locker	L583-764
78	Pusher Pin	L583-778



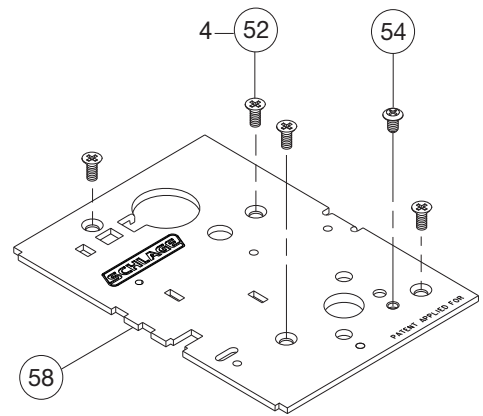
** See "Assembly of lock case parts" on page 152.

L9456, L9457, L9496

Assembled Lock Case L283-138



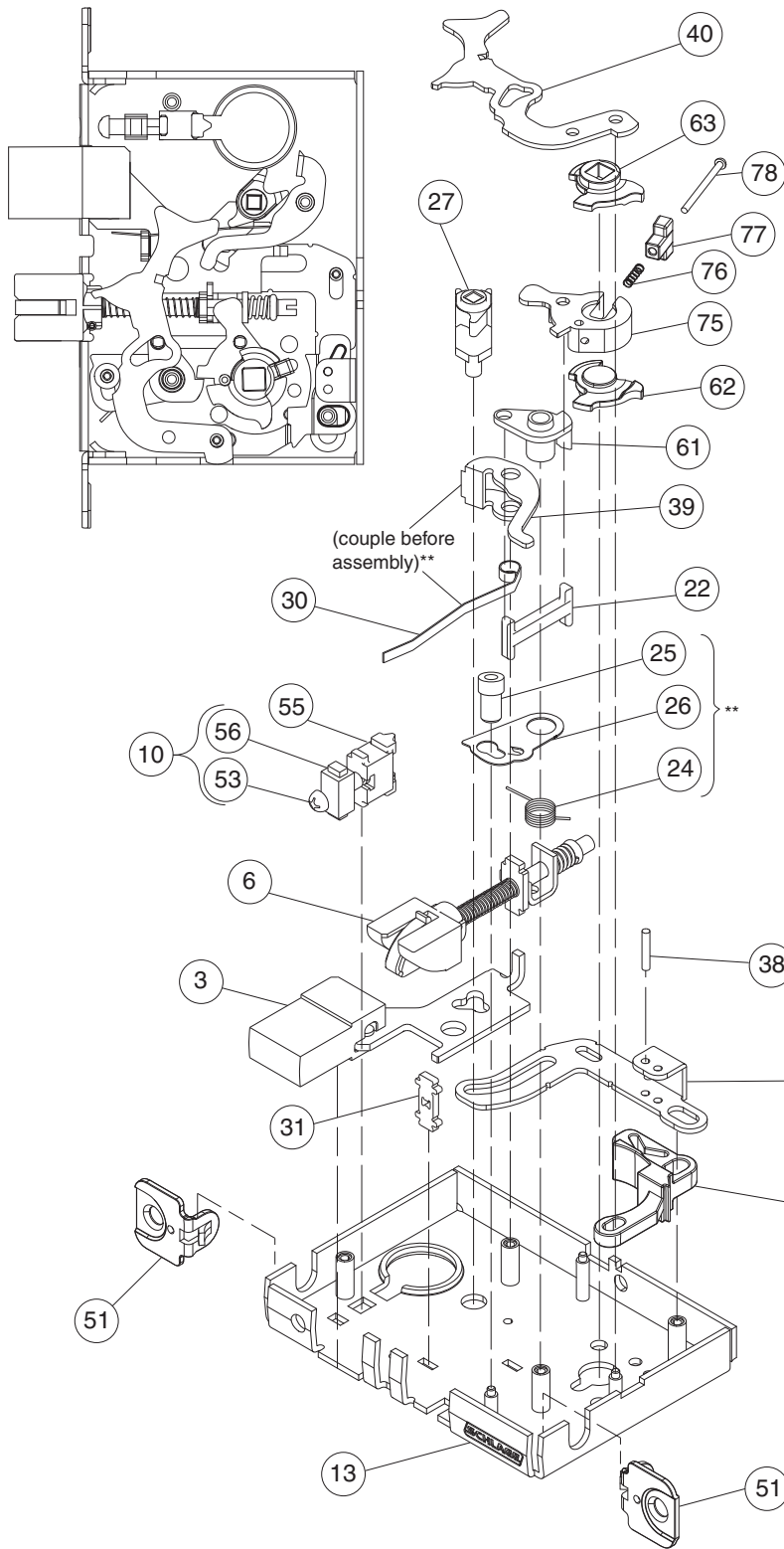
Number	Description	Part Number
3	Deadbolt	L283-003
6	Latchbolt	L283-008
10	Cylinder Plate & Screw	L283-055
13	L9000 Lock Case	L283-112
17	Retractor Hub	L583-748
18	Hub Spacer	L583-020
19	Retractor Lever	L583-021
20	Retractor Rocker	L583-022
21	Blocking Plate	L583-023
22	Retractor Link	L583-024
23	Retractor Crank	L583-025
24	Hub Spring	L583-026
25	Fire Door Fuse	L583-027
26	Fire Door Catch	L583-028
27	Turn Hub	L583-029
30	Turn Hub Spring	L583-035
31	Auxiliary Bar Guide	L583-038
34	Locking Catch	L583-045
36	Locking Link	L583-048
38	Link Pin	L583-050
39	Transfer Lever	L583-051
40	Simultaneous Retractor	L583-053
51	1/4" Faceplate Tab	L583-426
52	Case Cover Screws	L583-454
53	Cylinder Retainer Screw	L583-481
54	Lock Handing Screw	L583-485
55	Cylinder Retainer	L583-490
56	Screw Plate	L583-492
58	Lock Case Cover	L583-496



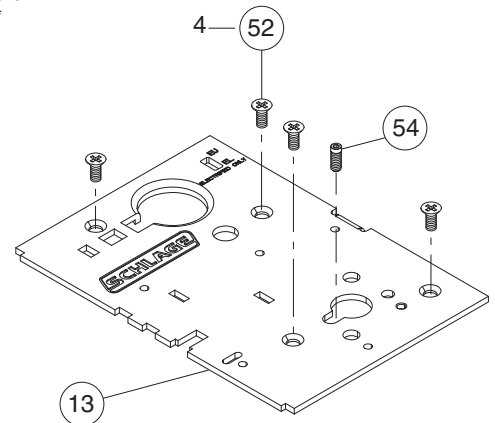
** See "Assembly of lock case parts" on page 152.

LV9456, LV9457, LV9496

Assembled Lock Case L283-606



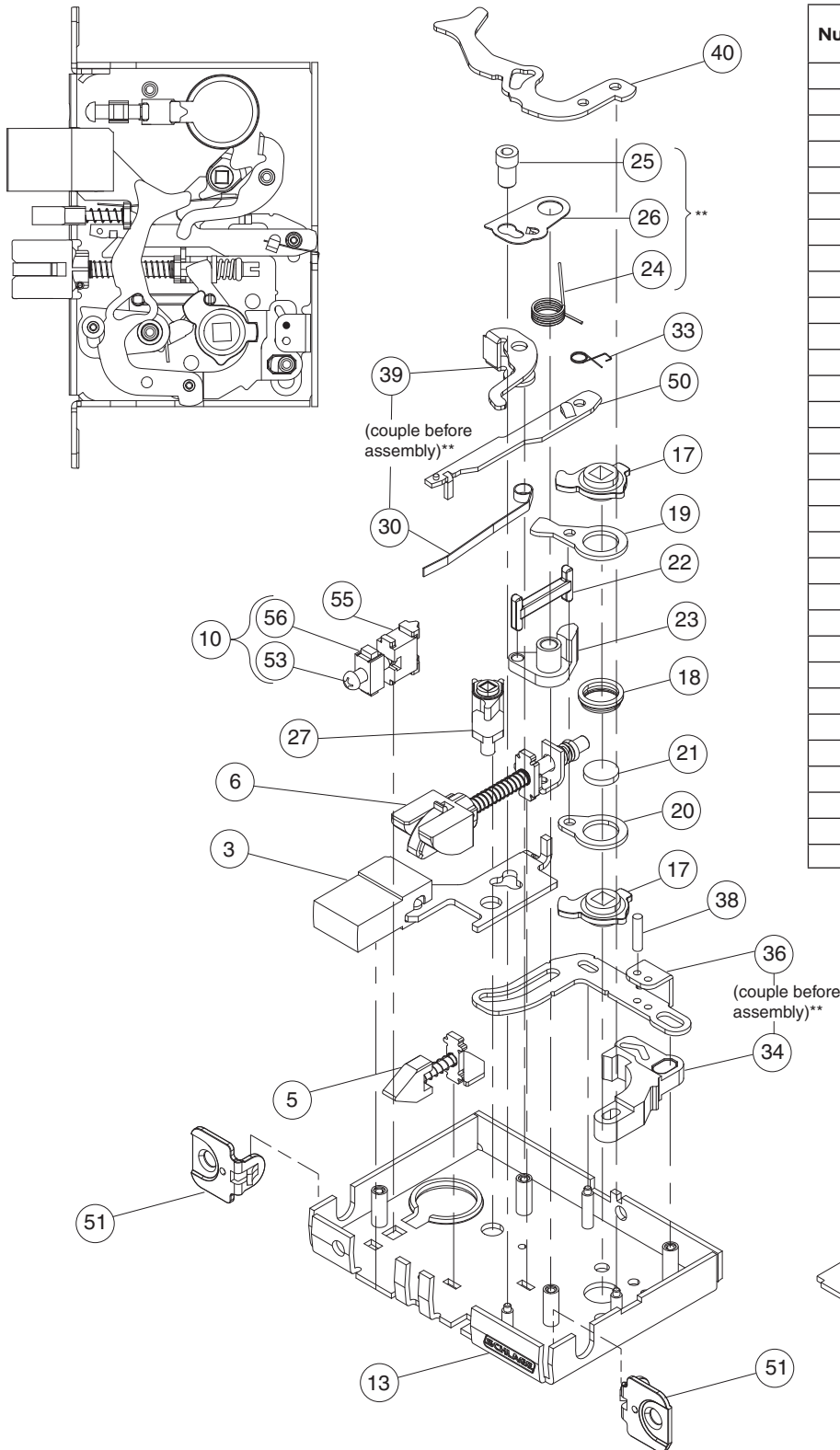
Number	Description	Part Number
3	Deadbolt	L283-003
6	Latchbolt	L283-008
10	Cylinder Plate & Screw	L283-055
13	LV9000 Lock Case, Cover	L283-594
22	Retractor Link	L583-024
24	Hub Spring	L583-026
25	Fire Door Fuse	L583-027
26	Fire Door Catch	L583-028
27	Turn Hub	L583-029
30	Turn Hub Spring	L583-035
31	Auxiliary Bar Guide	L583-038
36	Locking Link	L583-048
38	Link Pin	L583-050
39	Transfer Lever	L583-051
40	Simultaneous Retractor	L583-058
51	1 1/4" Faceplate Tab	L583-426
52	Case Cover Screws	L583-454
53	Cylinder Retainer Screw	L583-481
54	Lock Handing Screw	L583-902
55	Cylinder Retainer	L583-490
56	Screw Plate	L583-492
61	Crank Retractor	L583-383
62	Bottom Hub	L583-386
63	Top Hub	L583-387
64	Retractor Catch	L583-769
75	Retractor Lever	L583-768
76	Compression Spring	L583-388
77	Locker	L583-764
78	Pusher Pin	L583-778



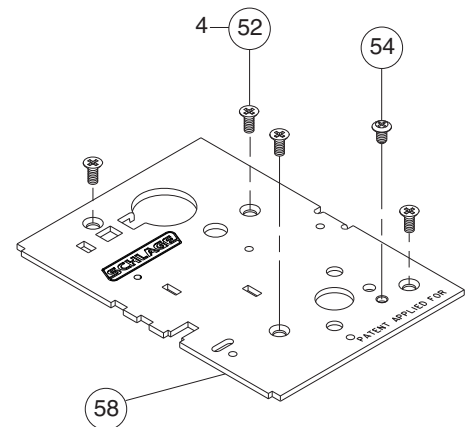
** See "Assembly of lock case parts" on page 152.

L9458

Assembled Lock Case L283-310



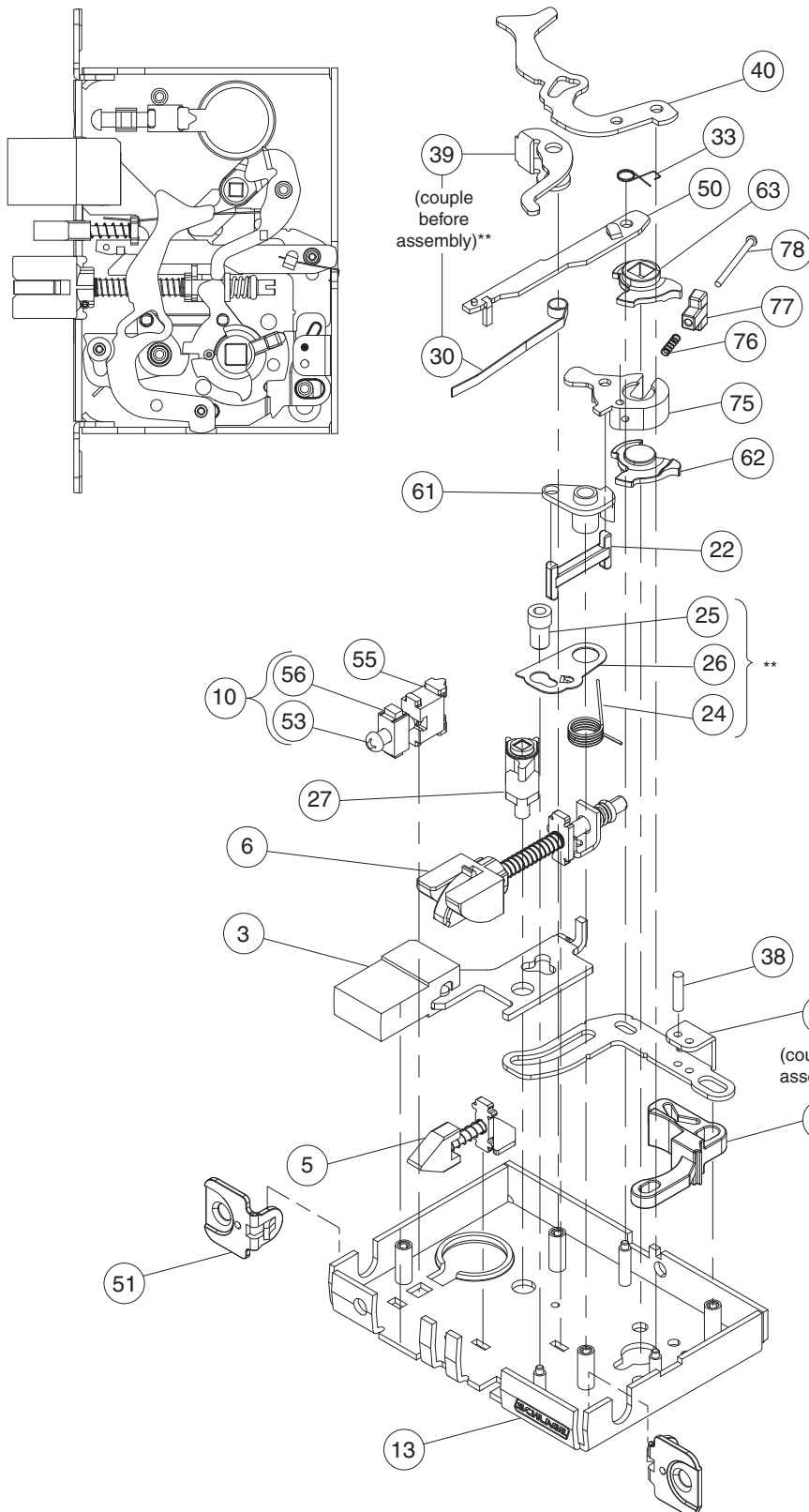
Number	Description	Part Number
3	Deadbolt	L283-003
5	Auxiliary Latchbolt	L283-006
6	Latchbolt	L283-008
10	Cylinder Plate & Screw	L283-055
13	L9000 Lock Case	L283-112
17	Retractor Hub	L583-748
18	Hub Spacer	L583-020
19	Retractor Lever	L583-021
20	Retractor Rocker	L583-022
21	Blocking Plate	L583-023
22	Retractor Link	L583-024
23	Retractor Crank	L583-025
24	Hub Spring	L583-026
25	Fire Door Fuse	L583-027
26	Fire Door Catch	L583-028
27	Turn Hub	L583-029
30	Turn Hub Spring	L583-035
33	Stop Spring	L583-044
34	Locking Catch	L583-045
36	Locking Link	L583-048
38	Link Pin	L583-050
39	Transfer Lever	L583-051
40	Simultaneous Retractor	L583-053
50	Auxiliary Stop	L583-196
51	1 1/4" Faceplate Tab	L583-426
52	Case Cover Screws	L583-454
53	Cylinder Retainer Screw	L583-481
54	Lock Handing Screw	L583-485
55	Cylinder Retainer	L583-490
56	Screw Plate	L583-492
58	Lock Case Cover	L583-496



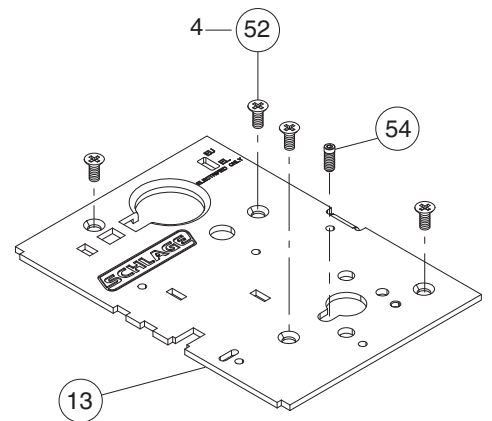
** See "Assembly of lock case parts" on page 152.

LV9458

Assembled Lock Case L283-612



Number	Description	Part Number
3	Deadbolt	L283-003
5	Auxiliary Latchbolt	L283-006
6	Latchbolt	L283-008
10	Cylinder Plate & Screw	L283-055
13	LV9000 Lock Case, Cover	L283-594
22	Retractor Link	L583-024
24	Hub Spring	L583-026
25	Fire Door Fuse	L583-027
26	Fire Door Catch	L583-028
27	Turn Hub	L583-029
30	Turn Hub Spring	L583-035
33	Stop Spring	L583-044
36	Locking Link	L583-048
38	Link Pin	L583-050
39	Transfer Lever	L583-051
40	Simultaneous Retractor	L583-053
50	Auxiliary Stop	L583-196
51	1¼" Faceplate Tab	L583-426
52	Case Cover Screws	L583-454
53	Cylinder Retainer Screw	L583-481
54	Lock Handling Screw	L583-902
55	Cylinder Retainer	L583-490
56	Screw Plate	L583-492
61	Crank Retractor	L583-383
62	Bottom Hub	L583-386
63	Top Hub	L583-387
64	Retractor Catch	L583-769
75	Retractor Lever	L583-768
76	Compression Spring	L583-388
77	Locker	L583-764
78	Pusher Pin	L583-778

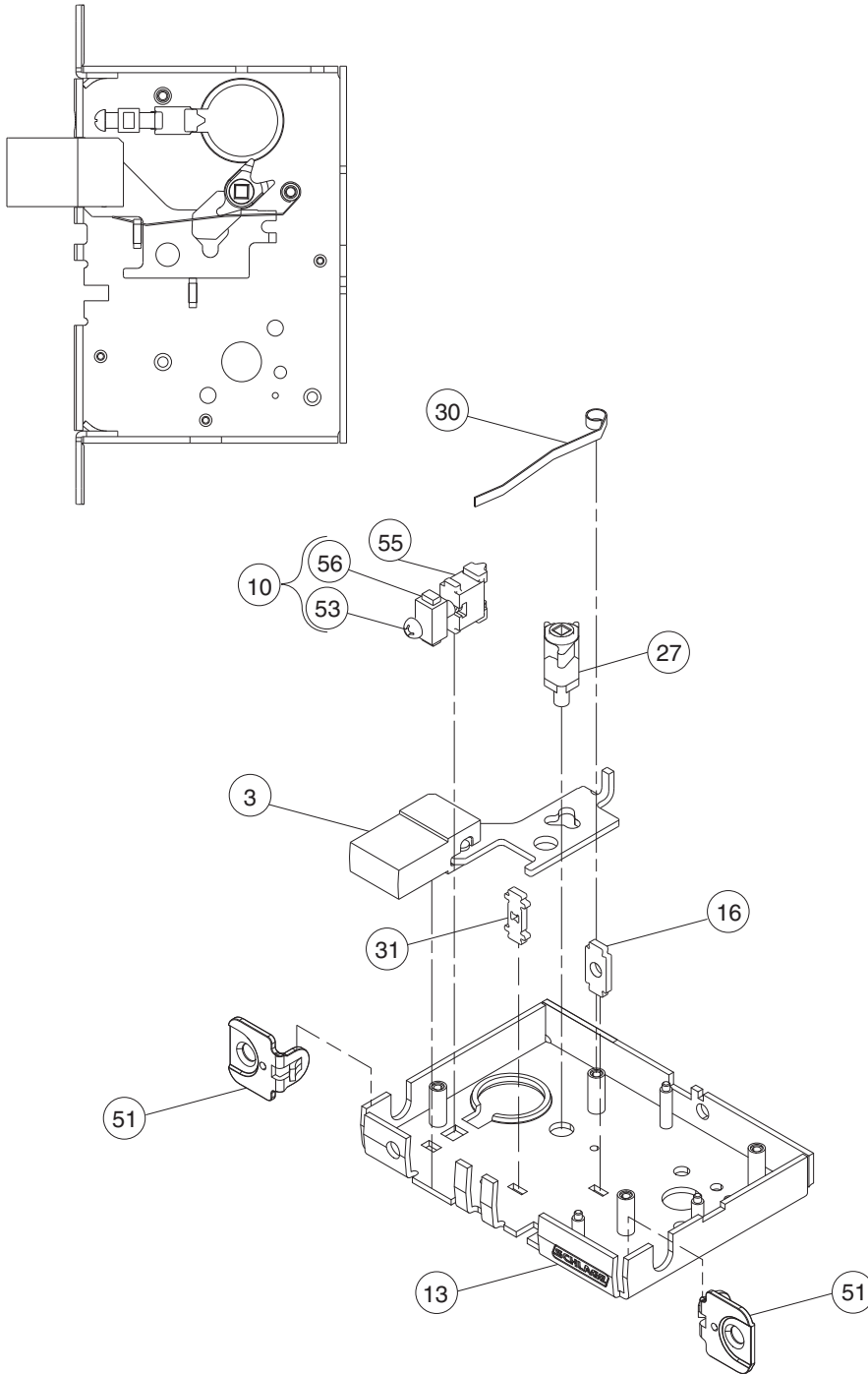


** See "Assembly of lock case parts" on page 152.

Lock case assemblies

L9460, L9462, L9463, L9464

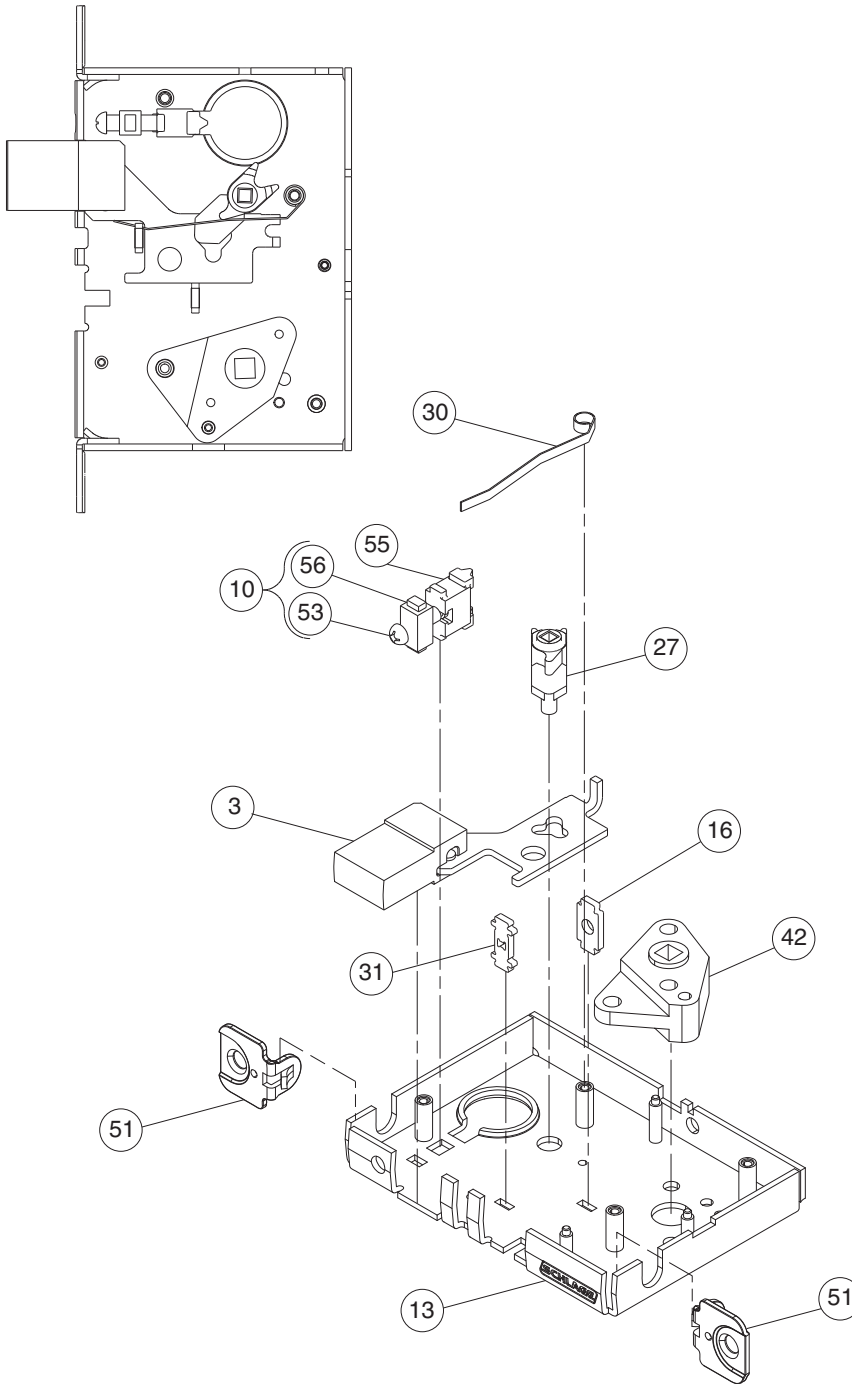
Assembled Lock Case L283-139



Number	Description	Part Number
3	Deadbolt	L283-003
10	Cylinder Plate & Screw	L283-055
13	L9000 Lock Case	L283-112
16	Latchbolt Guide	L583-015
27	Turn Hub	L583-029
30	Turn Hub Spring	L583-035
31	Auxiliary Bar Guide	L583-038
51	1¼" Faceplate Tab	L583-426
52	Case Cover Screws	L583-454
53	Cylinder Retainer Screw	L583-481
55	Cylinder Retainer	L583-490
56	Screw Plate	L583-492
58	Lock Case Cover	L583-496

L9460 x XL11-635

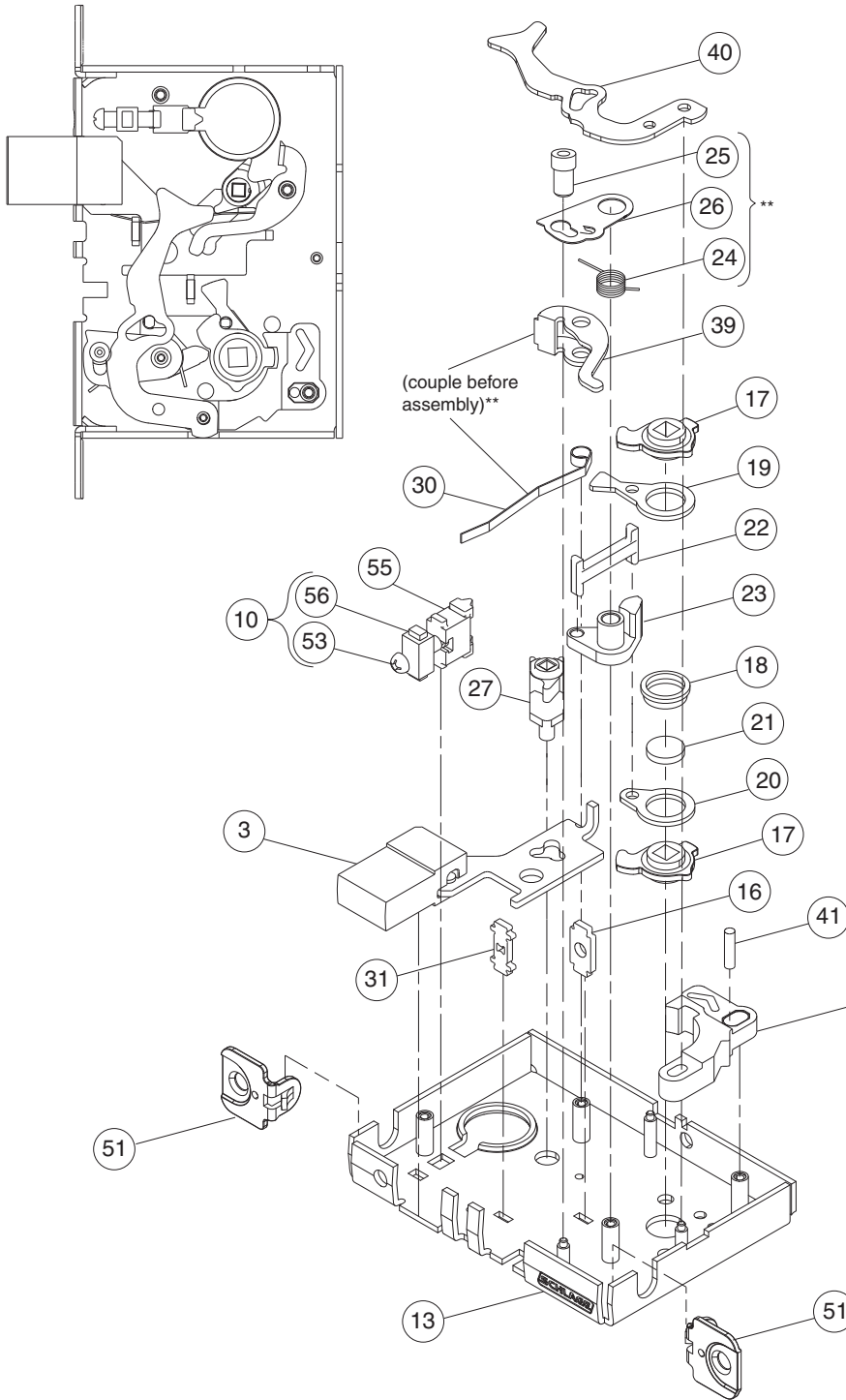
Assembled Lock Case XL11-661



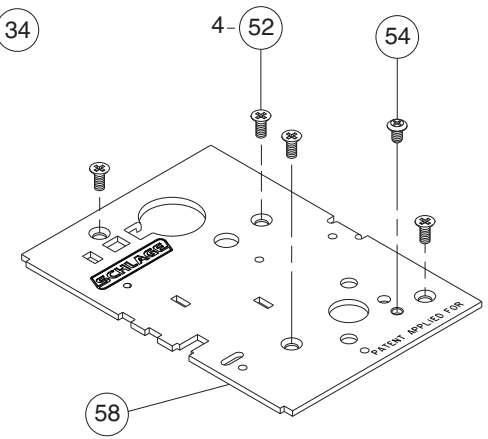
Number	Description	Part Number
3	Deadbolt	L283-003
10	Cylinder Plate & Screw	L283-055
13	L9000 Lock Case	L283-112
16	Latchbolt Guide	L583-015
27	Turn Hub	L583-029
30	Turn Hub Spring	L583-035
31	Auxiliary Bar Guide	L583-038
42	Spindle Anchor	L583-057
51	1 1/4" Faceplate Tab	L583-426
52	Case Cover Screws	L583-454
53	Cylinder Retainer Screw	L583-481
55	Cylinder Retainer	L583-490
56	Screw Plate	L583-492
58	Lock Case Cover	L583-496

L9460, L9462, and L9464 x XL11-886

Assembled Lock Case XL11-886



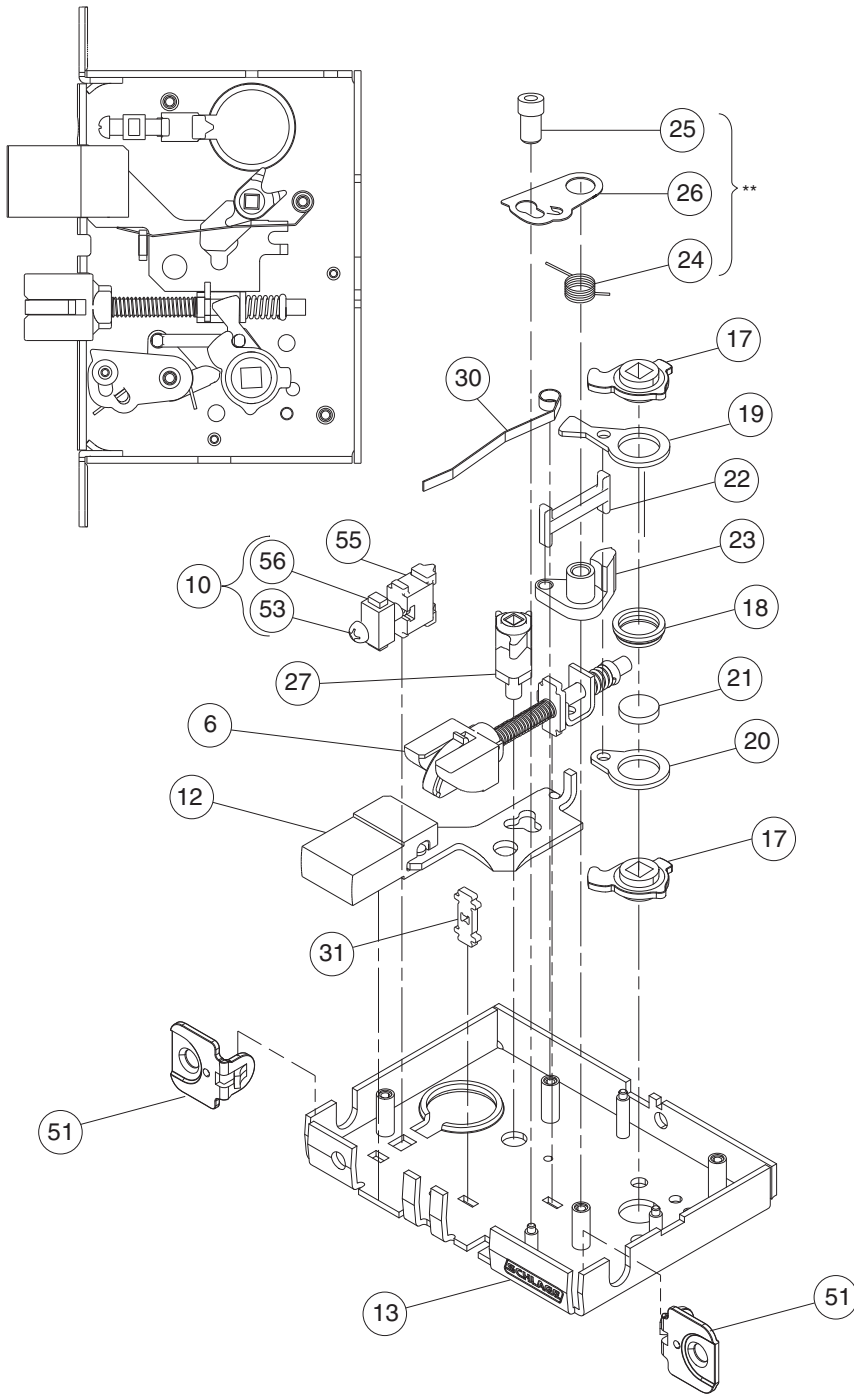
Number	Description	Part Number
3	Deadbolt	L283-003
10	Cylinder Plate & Screw	L283-055
13	L9000 Lock Case	L283-112
16	Latchbolt Guide	L583-015
17	Retractor Hub	L583-748
18	Hub Spacer	L583-020
19	Retractor Lever	L583-021
20	Retractor Rocker	L583-022
21	Blocking Plate	L583-023
22	Retractor Link	L583-024
23	Retractor Crank	L583-025
24	Hub Spring	L583-026
25	Fire Door Fuse	L583-027
26	Fire Door Catch	L583-028
27	Turn Hub	L583-029
30	Turn Hub Spring	L583-035
31	Auxiliary Bar Guide	L583-038
34	Locking Catch	L583-045
39	Transfer Lever	L583-051
40	Simultaneous Retractor	L583-053
41	Catch Pin	L583-056
51	1¼" Faceplate Tab	L583-426
52	Case Cover Screws	L583-454
53	Cylinder Retainer Screw	L583-481
54	Lock Handing Screw	L583-485
55	Cylinder Retainer	L583-490
56	Screw Plate	L583-492
58	Lock Case Cover	L583-496



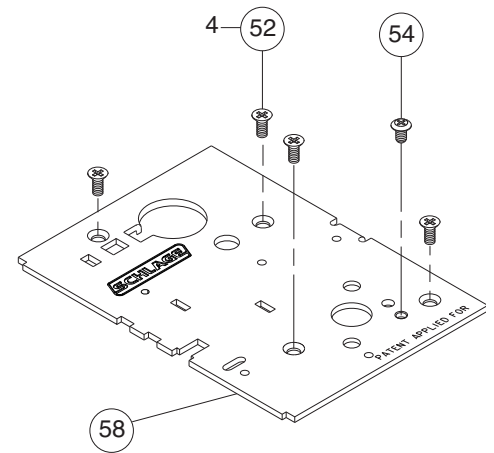
** See "Assembly of lock case parts" on page 152.

L9465, L9466, L9473

Assembled Lock Case L283-140



Number	Description	Part Number
6	Latchbolt	L283-008
10	Cylinder Plate & Screw	L283-055
12	Deadbolt	L583-075
13	L9000 Lock Case	L283-112
17	Retractor Hub	L583-748
18	Hub Spacer	L583-020
19	Retractor Lever	L583-021
20	Retractor Rocker	L583-022
21	Blocking Plate	L583-023
22	Retractor Link	L583-024
23	Retractor Crank	L583-025
24	Hub Spring	L583-026
25	Fire Door Fuse	L583-027
26	Fire Door Catch	L583-028
27	Turn Hub	L583-029
30	Turn Hub Spring	L583-035
31	Auxiliary Bar Guide	L583-038
51	1¼" Faceplate Tab	L583-426
52	Case Cover Screws	L583-454
53	Cylinder Retainer Screw	L583-481
55	Cylinder Retainer	L583-490
56	Screw Plate	L583-492
58	Lock Case Cover	L583-496

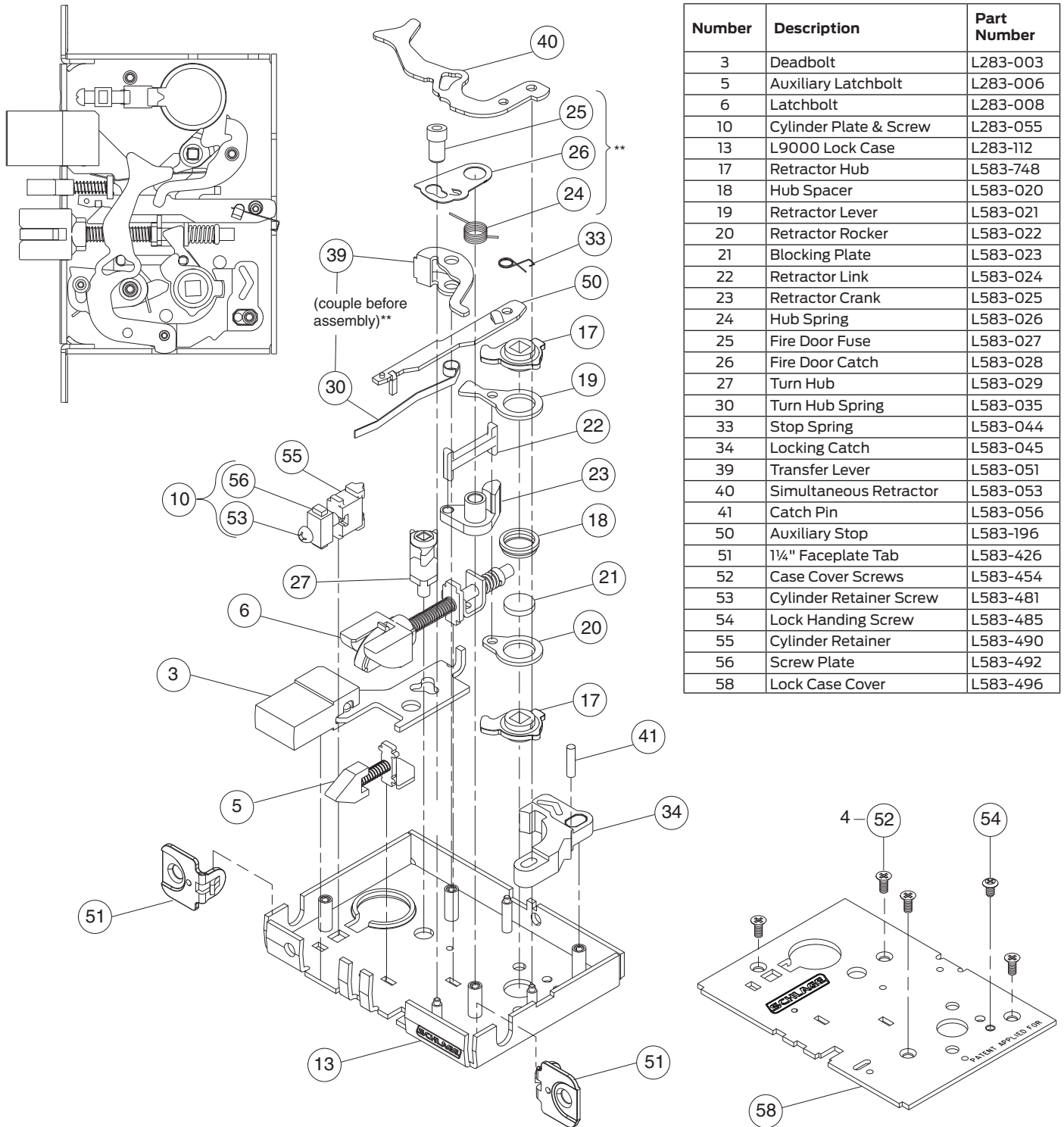


** See "Assembly of lock case parts" on page 152.

Lock case assemblies

L9480, L9485, L9486, L9486 x L583-375, L9412 x XL11-907

Assembled Lock Case L283-141 (specify L9486 x L583-375 or L9412 x XL11-907 as applicable)

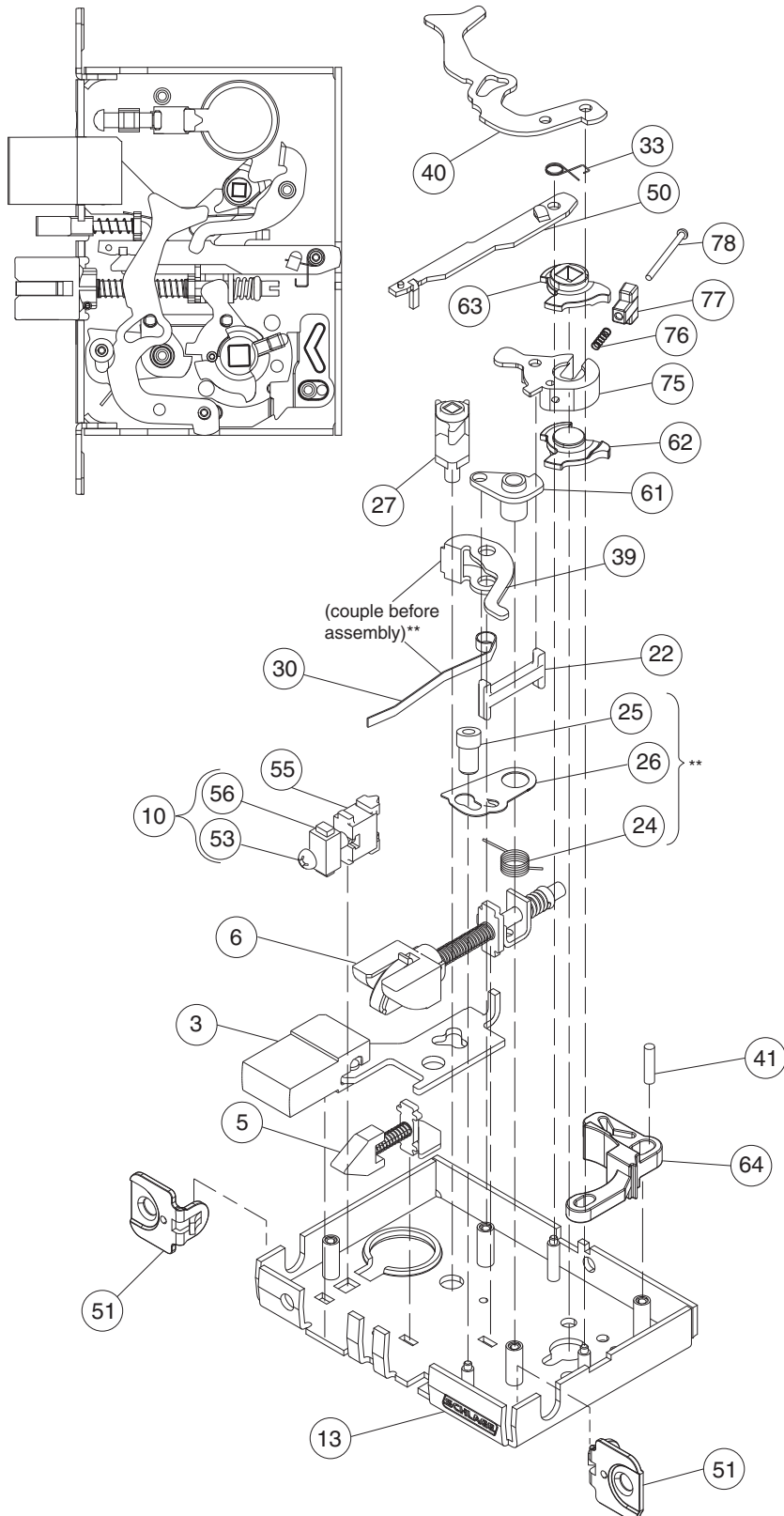


Number	Description	Part Number
3	Deadbolt	L283-003
5	Auxiliary Latchbolt	L283-006
6	Latchbolt	L283-008
10	Cylinder Plate & Screw	L283-055
13	L9000 Lock Case	L283-112
17	Retractor Hub	L583-748
18	Hub Spacer	L583-020
19	Retractor Lever	L583-021
20	Retractor Rocker	L583-022
21	Blocking Plate	L583-023
22	Retractor Link	L583-024
23	Retractor Crank	L583-025
24	Hub Spring	L583-026
25	Fire Door Fuse	L583-027
26	Fire Door Catch	L583-028
27	Turn Hub	L583-029
30	Turn Hub Spring	L583-035
33	Stop Spring	L583-044
34	Locking Catch	L583-045
39	Transfer Lever	L583-051
40	Simultaneous Retractor	L583-053
41	Catch Pin	L583-056
50	Auxiliary Stop	L583-196
51	1 1/4" Faceplate Tab	L583-426
52	Case Cover Screws	L583-454
53	Cylinder Retainer Screw	L583-481
54	Lock Handing Screw	L583-485
55	Cylinder Retainer	L583-490
56	Screw Plate	L583-492
58	Lock Case Cover	L583-496

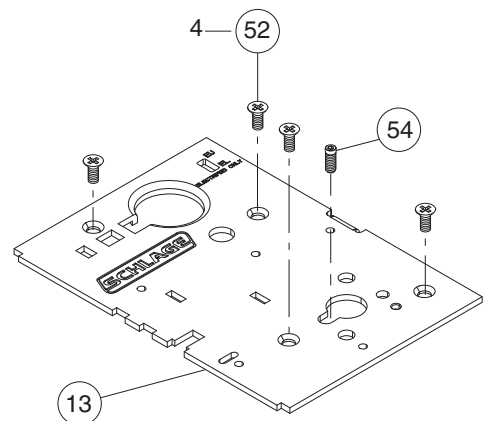
** See "Assembly of lock case parts" on page 152.

LV9480, LV9485, LV9486, LV9486 x L583-375

Assembled Lock Case L283-607



Number	Description	Part Number
3	Deadbolt	L283-003
5	Auxiliary Latchbolt	L283-006
6	Latchbolt	L283-008
10	Cylinder Plate & Screw	L283-055
13	LV9000 Lock Case, Cover	L283-594
22	Retractor Link	L583-024
24	Hub Spring	L583-026
25	Fire Door Fuse	L583-027
26	Fire Door Catch	L583-028
27	Turn Hub	L583-029
30	Turn Hub Spring	L583-035
33	Stop Spring	L583-044
39	Transfer Lever	L583-051
40	Simultaneous Retractor	L583-053
41	Catch Pin	L583-056
50	Auxiliary Stop	L583-196
51	1 1/4" Faceplate Tab	L583-426
52	Case Cover Screws	L583-454
53	Cylinder Retainer Screw	L583-481
54	Lock Handing Screw	L583-902
55	Cylinder Retainer	L583-490
56	Screw Plate	L583-492
61	Crank Retractor	L583-383
62	Bottom Hub	L583-386
63	Top Hub	L583-387
64	Retractor Catch	L583-769
75	Retractor Lever	L583-768
76	Compression Spring	L583-388
77	Locker	L583-764
78	Pusher Pin	L583-778

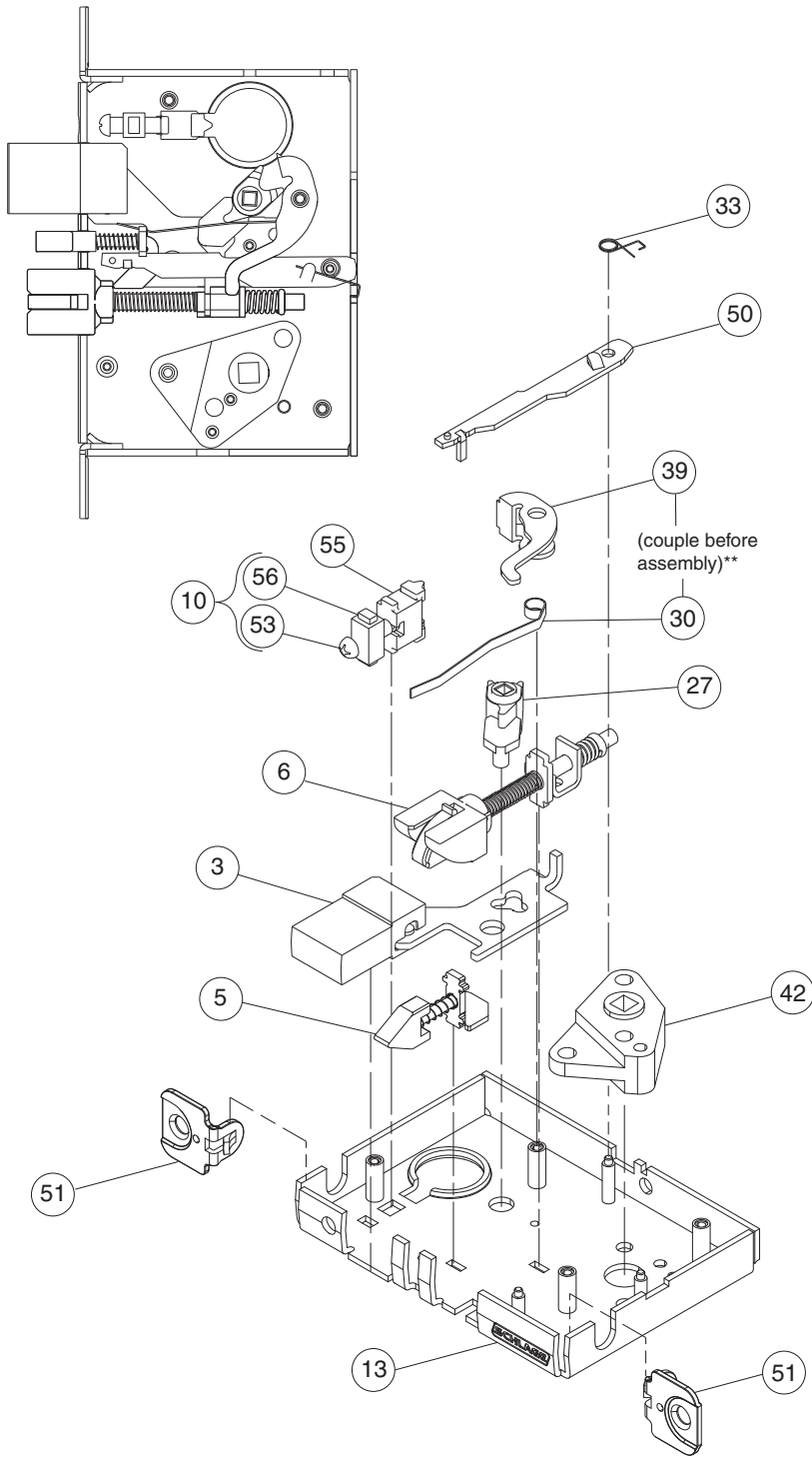


** See "Assembly of lock case parts" on page 152.

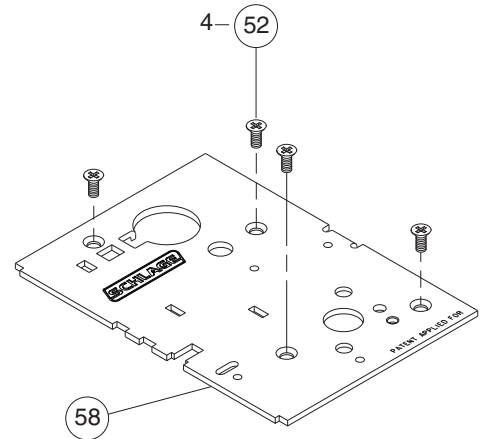
Lock case assemblies

L9482 x XL11-543

Assembled Lock Case L283-146 x XL11-543



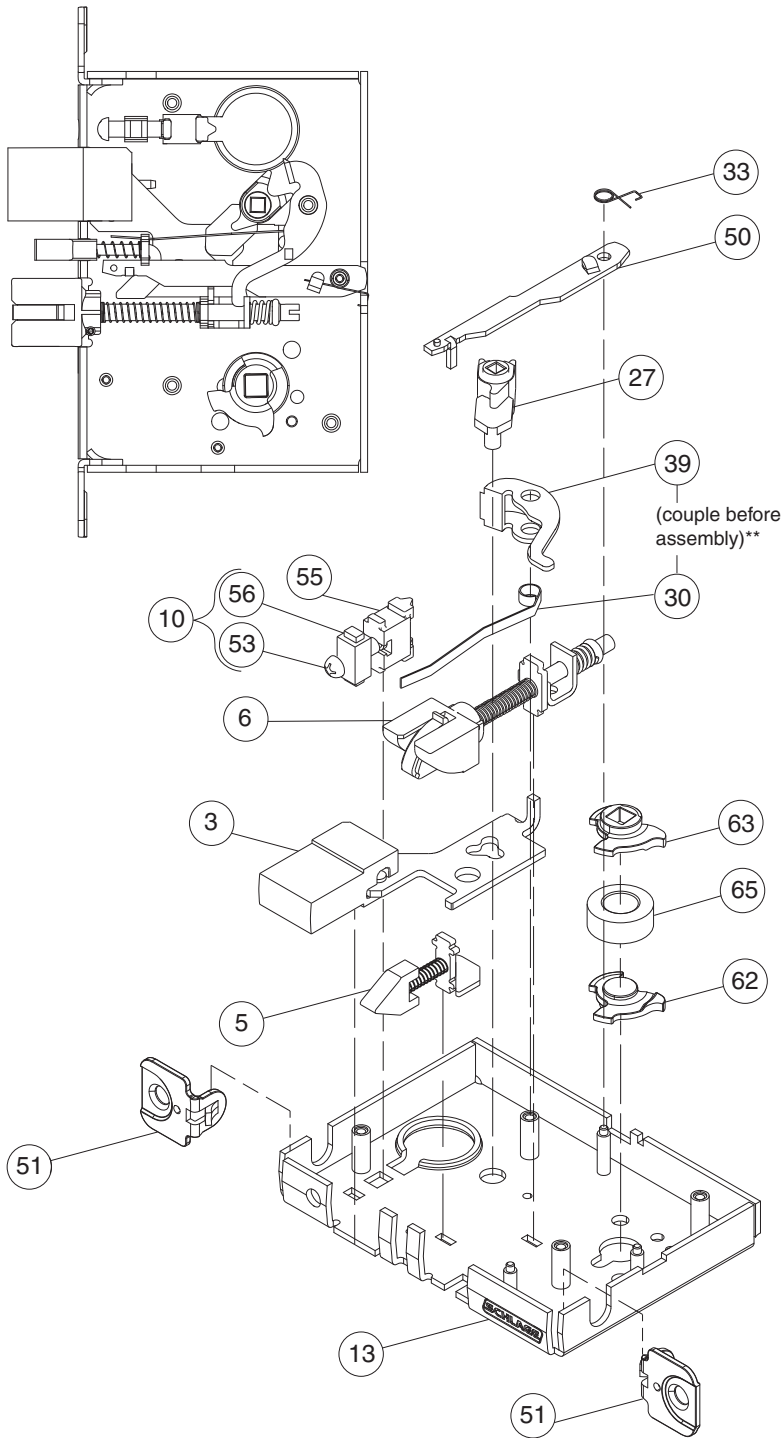
Number	Description	Part Number
3	Deadbolt	L283-003
5	Auxiliary Latchbolt	L283-006
6	Latchbolt	L283-008
10	Cylinder Plate & Screw	L283-055
13	L9000 Lock Case	L283-112
27	Turn Hub	L583-029
30	Turn Hub Spring	L583-035
33	Stop Spring	L583-044
39	Transfer Lever	L583-051
42	Spindle Anchor	L583-057
50	Auxiliary Stop	L583-196
51	1/4" Faceplate Tab	L583-426
52	Case Cover Screws	L583-454
53	Cylinder Retainer Screw	L583-481
55	Cylinder Retainer	L583-490
56	Screw Plate	L583-492
58	Lock Case Cover	L583-496



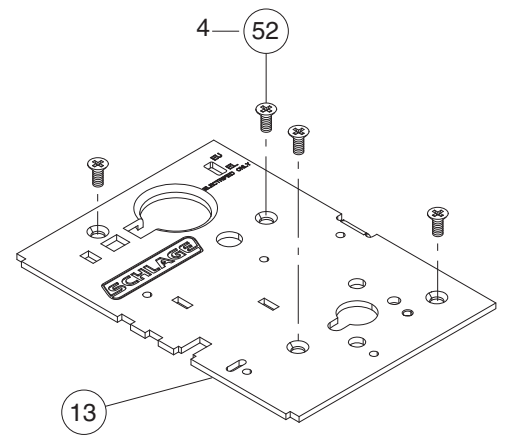
** See "Assembly of lock case parts" on page 152.

LV9482 x XL11-543

Assembled Lock Case L283-611



Number	Description	Part Number
3	Deadbolt	L283-003
5	Auxiliary Latchbolt	L283-006
6	Latchbolt	L283-008
10	Cylinder Plate & Screw	L283-055
13	LV9000 Lock Case, Cover	L283-594
27	Turn Hub	L583-029
30	Turn Hub Spring	L583-035
33	Stop Spring	L583-044
39	Transfer Lever	L583-051
50	Auxiliary Stop	L583-196
51	1 1/4" Faceplate Tab	L583-426
52	Case Cover Screws	L583-454
53	Cylinder Retainer Screw	L583-481
55	Cylinder Retainer	L583-490
56	Screw Plate	L583-492
62	Bottom Hub	L583-765
63	Top Hub	L583-767
65	Spacer	L583-346

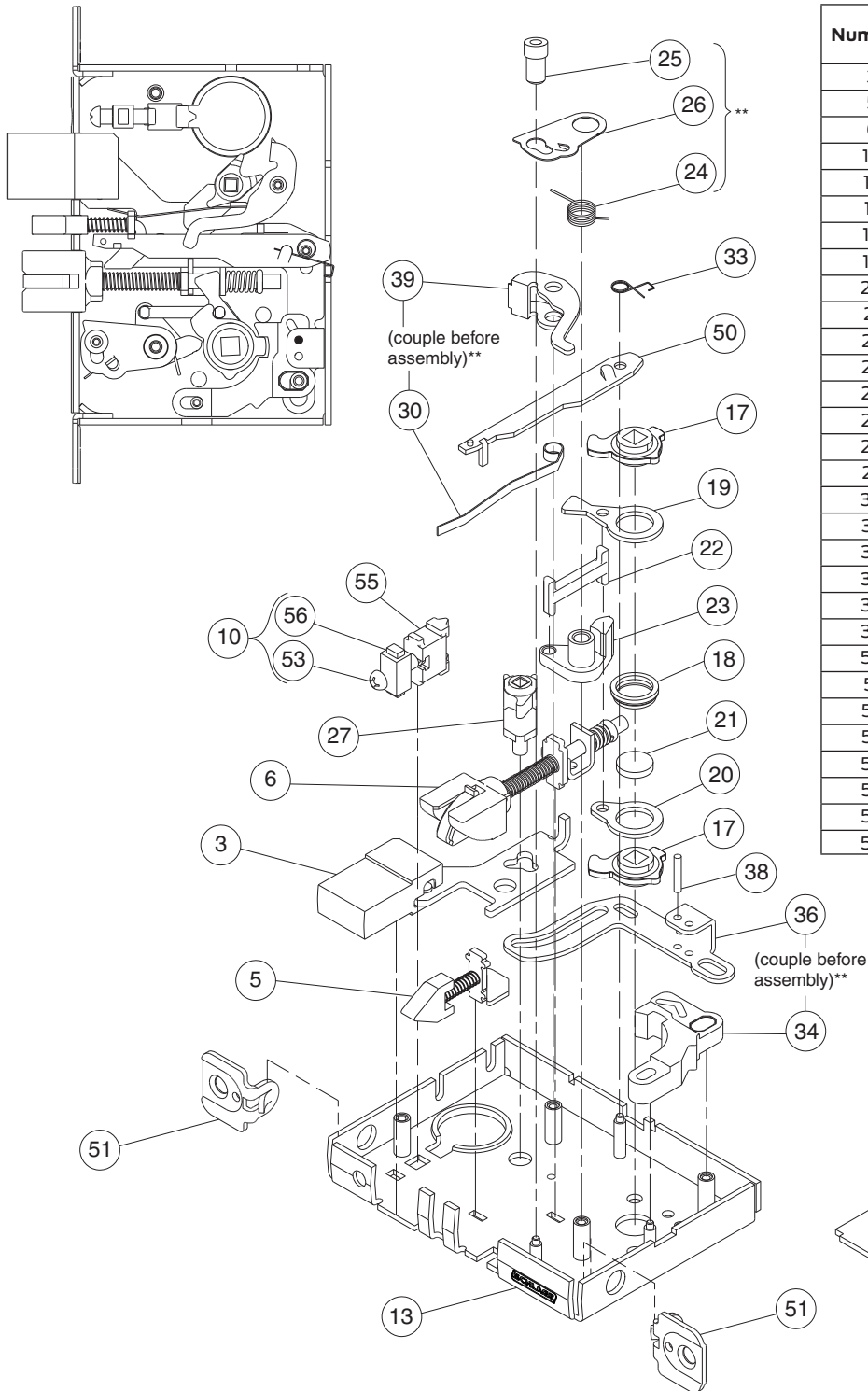


** See "Assembly of lock case parts" on page 152.

Lock case assemblies

L9485 x XL11-557

Assembled Lock Case XL11-557

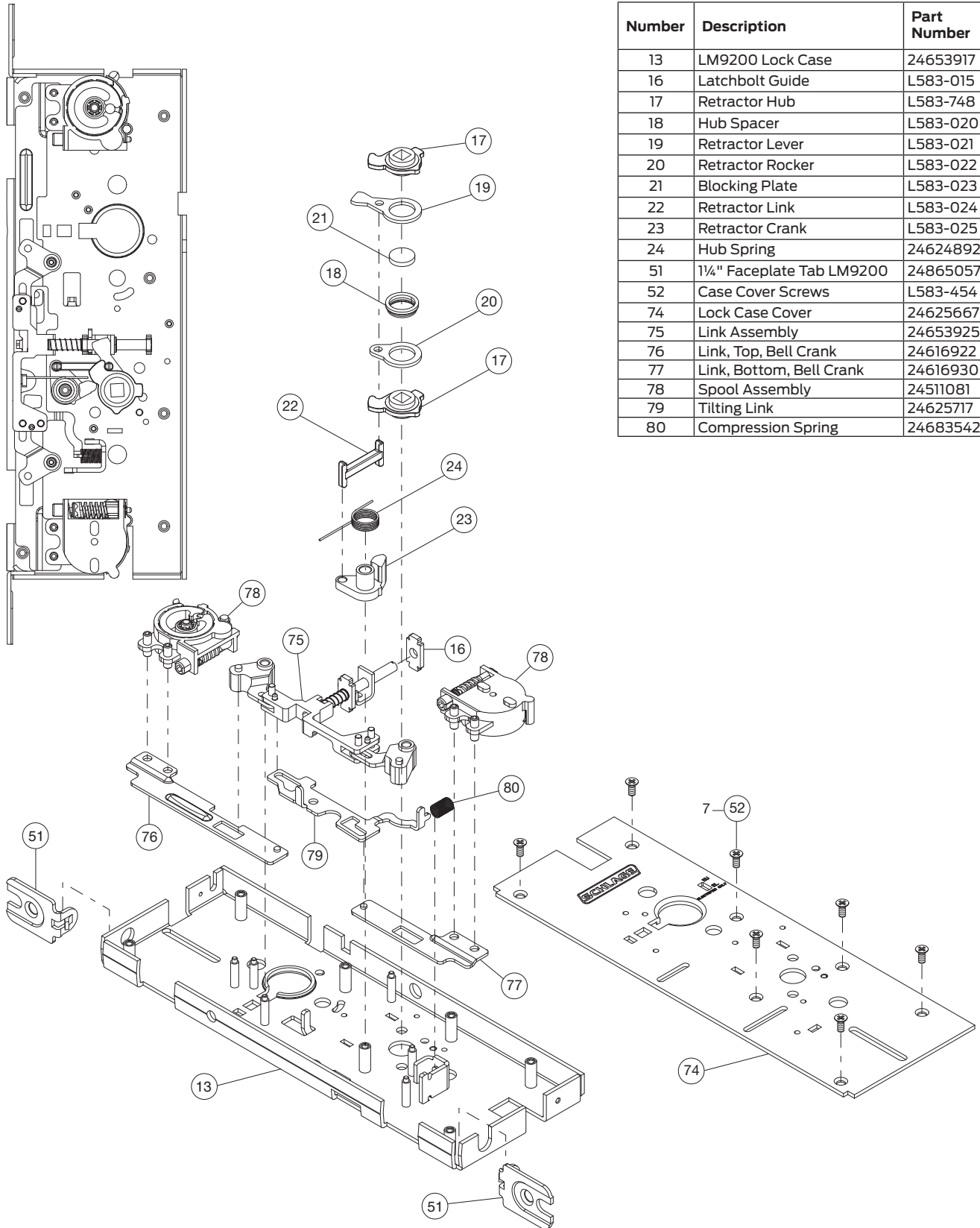


Number	Description	Part Number
3	Deadbolt	L283-003
5	Auxiliary Latchbolt	L283-006
6	Latchbolt	L283-008
10	Cylinder Plate & Screw	L283-055
13	L9000 Lock Case	L283-112
17	Retractor Hub	L583-748
18	Hub Spacer	L583-020
19	Retractor Lever	L583-021
20	Retractor Rocker	L583-022
21	Blocking Plate	L583-023
22	Retractor Link	L583-024
23	Retractor Crank	L583-025
24	Hub Spring	L583-026
25	Fire Door Fuse	L583-027
26	Fire Door Catch	L583-028
27	Turn Hub	L583-029
30	Turn Hub Spring	L583-035
33	Stop Spring	L583-044
34	Locking Catch	L583-045
36	Locking Link	L583-048
38	Link Pin	L583-050
39	Transfer Lever	L583-051
50	Auxiliary Stop	L583-196
51	1¼" Faceplate Tab	L583-426
52	Case Cover Screws	L583-454
53	Cylinder Retainer Screw	L583-481
54	Lock Handing Screw	L583-485
55	Cylinder Retainer	L583-490
56	Screw Plate	L583-492
58	Lock Case Cover	L583-496

** See "Assembly of lock case parts" on page 152.

LM9210, LM9225

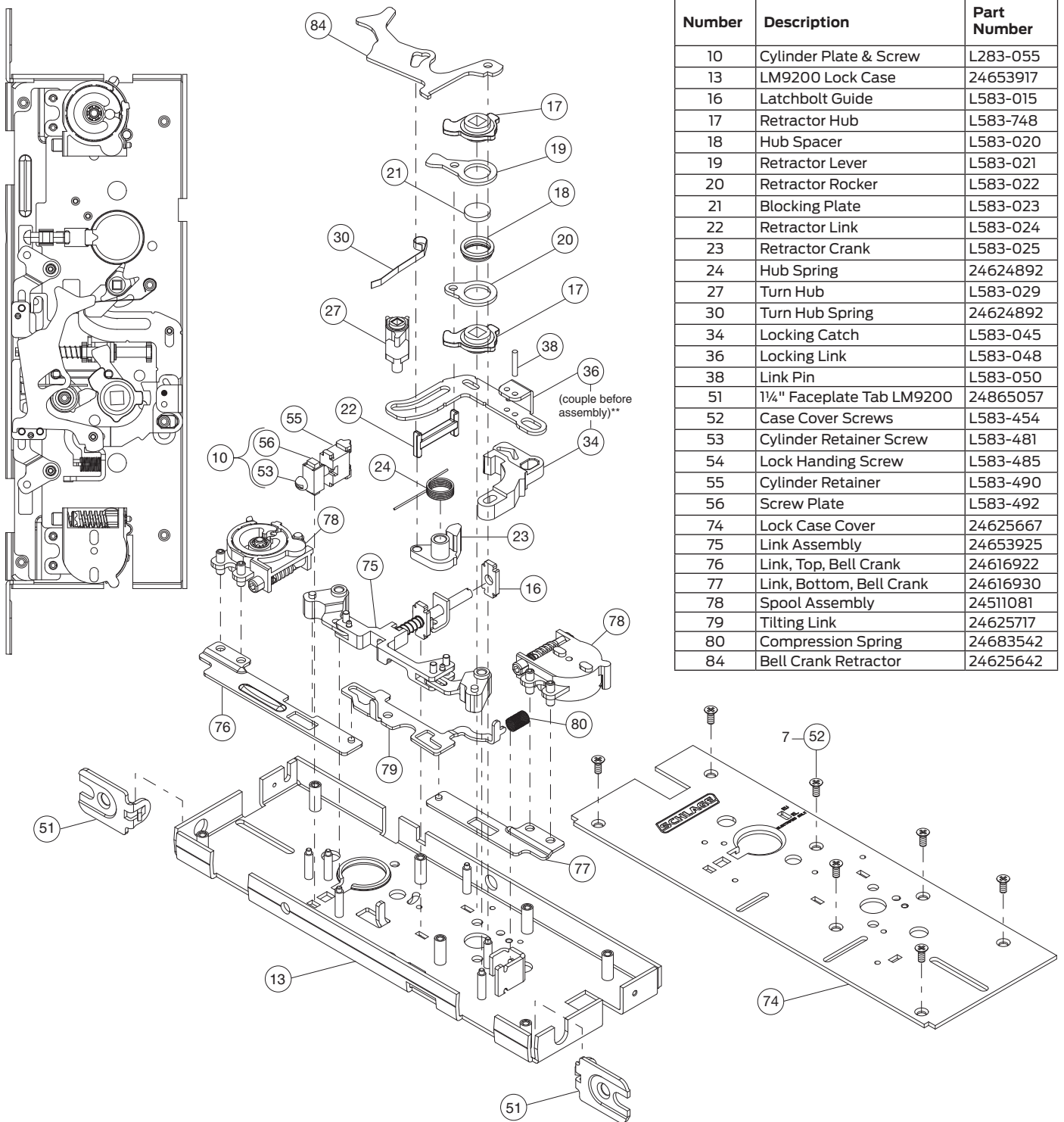
Assembled Lock Case 24759599



Number	Description	Part Number
13	LM9200 Lock Case	24653917
16	Latchbolt Guide	L583-015
17	Retractor Hub	L583-748
18	Hub Spacer	L583-020
19	Retractor Lever	L583-021
20	Retractor Rocker	L583-022
21	Blocking Plate	L583-023
22	Retractor Link	L583-024
23	Retractor Crank	L583-025
24	Hub Spring	24624892
51	1¼" Faceplate Tab LM9200	24865057
52	Case Cover Screws	L583-454
74	Lock Case Cover	24625667
75	Link Assembly	24653925
76	Link, Top, Bell Crank	24616922
77	Link, Bottom, Bell Crank	24616930
78	Spool Assembly	24511081
79	Tilting Link	24625717
80	Compression Spring	24683542

LM9256

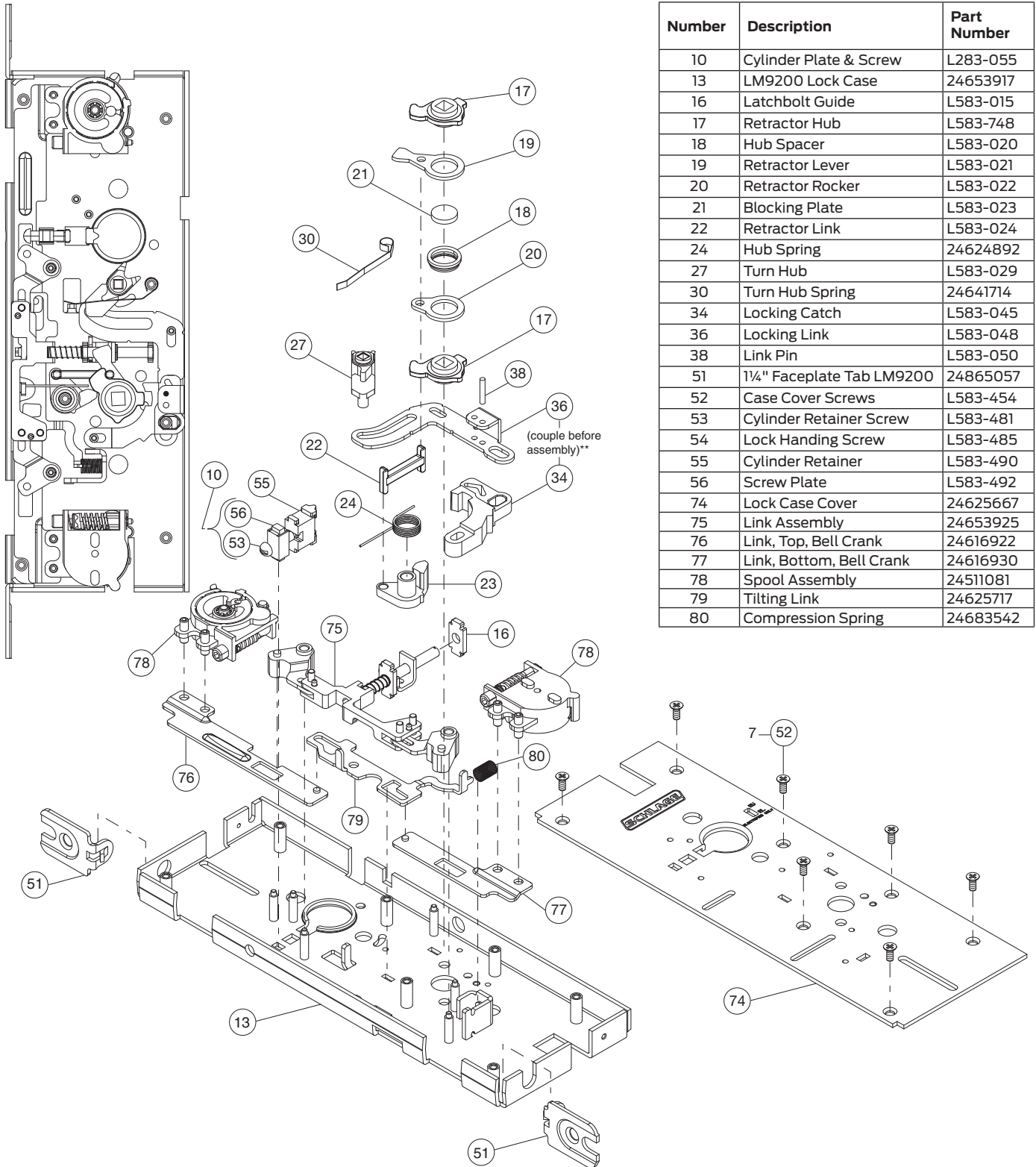
Assembled Lock Case 24616914



** See "Assembly of lock case parts" on page 152.

LM9250, LM9270, LM9271, LM9280

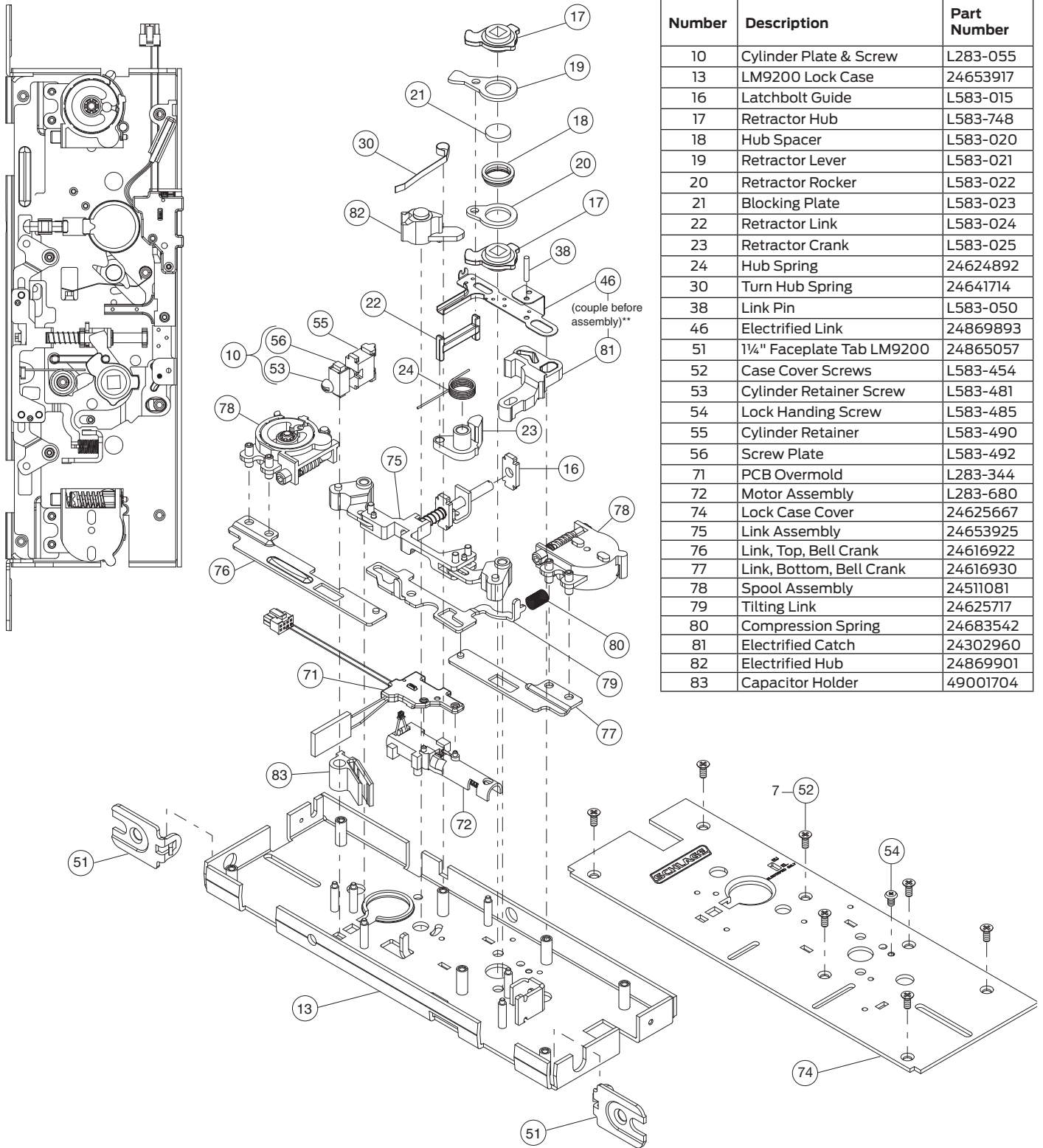
Assembled Lock Case 24759623



** See "Assembly of lock case parts" on page 152.

LM9290 EL/EU, LM9292 EL/EU, LM9294 EL/EU

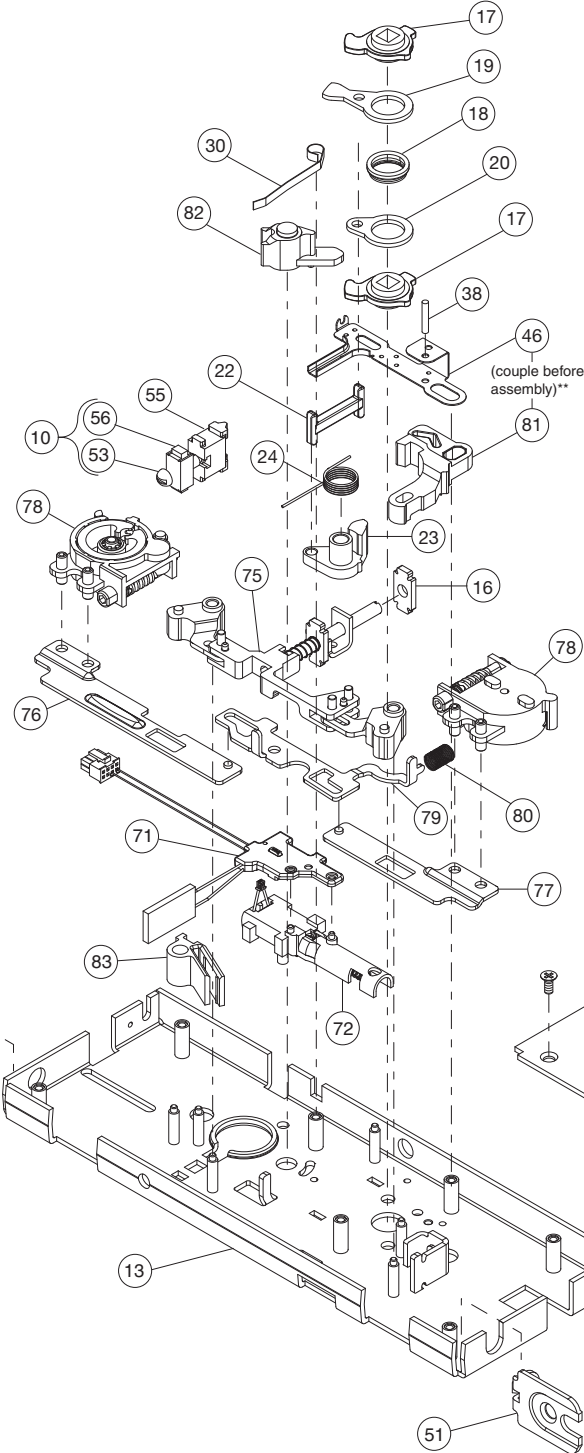
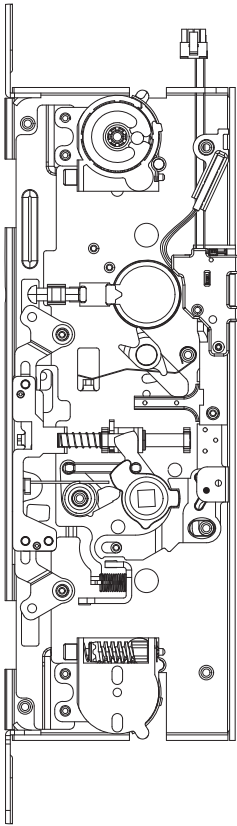
Assembled Lock Case 24759656



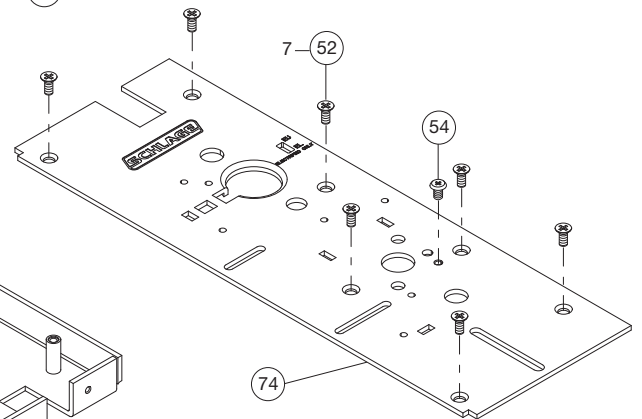
** See "Assembly of lock case parts" on page 152.

LM9291 EL/EU, LM9293 EL/EU, LM9295 EL/EU

Assembled Lock Case 24759664



Number	Description	Part Number
10	Cylinder Plate & Screw	L283-055
13	LM9200 Lock Case	24653917
16	Latchbolt Guide	L583-015
17	Retractor Hub	L583-748
18	Hub Spacer	L583-020
19	Retractor Lever	L583-021
20	Retractor Rocker	L583-022
22	Retractor Link	L583-024
23	Retractor Crank	L583-025
24	Hub Spring	24624892
30	Turn Hub Spring	24641714
38	Link Pin	L583-050
46	Electrified Link	24869893
51	1¼" Faceplate Tab LM9200	24865057
52	Case Cover Screws	L583-454
53	Cylinder Retainer Screw	L583-481
54	Lock Handling Screw	L583-485
55	Cylinder Retainer	L583-490
56	Screw Plate	L583-492
71	PCB Overmold	L283-344
72	Motor Assembly	L283-680
74	Lock Case Cover	24625667
75	Link Assembly	24653925
76	Link, Top, Bell Crank	24616922
77	Link, Bottom, Bell Crank	24616930
78	Spool Assembly	24511081
79	Tilting Link	24625717
80	Compression Spring	24683542
81	Electrified Catch	24302960
82	Electrified Hub	24869901
83	Capacitor Holder	49001704



** See "Assembly of lock case parts" on page 152.

Lock case assemblies

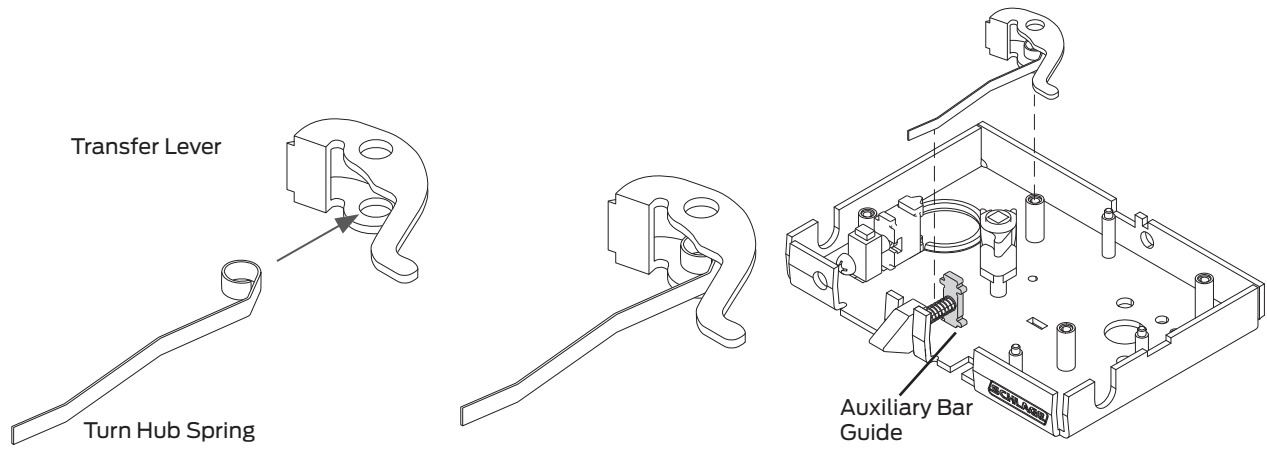
Lock case assembly compatibility

Use this table to determine compatibility between parts for lock manufactured in 1994.

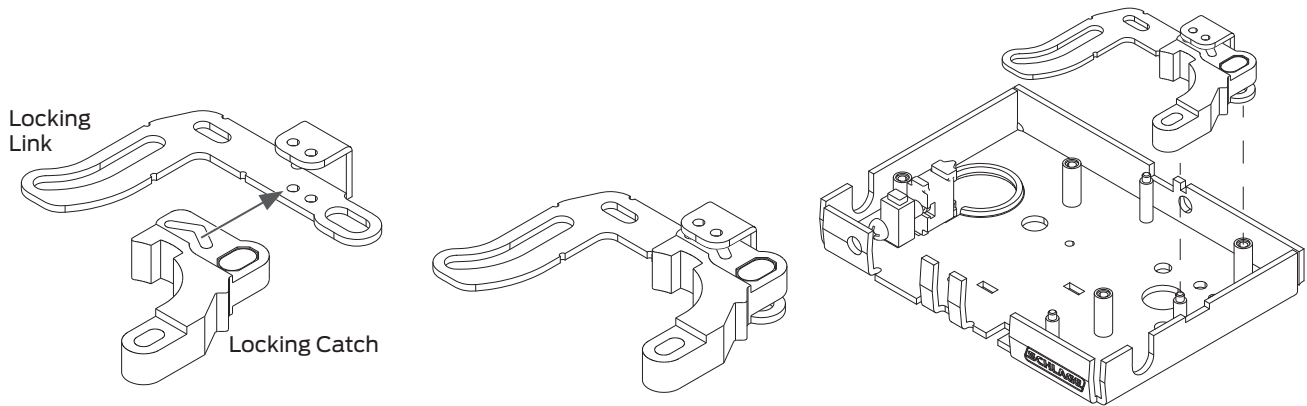
	L283-005 Cylinder Anchor Assembly	L583-046 Lock Handling Screw	L583-046 Faceplate Tab Screw	L583-006, L583-007 Faceplate Tab	L583-452 Lock Case Cover	L283-080 Lock Case	L583-480/481/482 Cylinder Retainer Assembly	L583-485 Lock Handling Screw	L583-426, L583-427 Faceplate Tab	L583-484 Lock Case Cover	L283-130 Lock Case (April 1, 1994)	L283-130 Lock Case (July 15, 1994)
L283-005 Cylinder Anchor Assembly					•	•						
L583-046 Lock Handling Screw					•	•						
L583-046 Faceplate Tab Screw				•		•					•	
L583-006 L583-007 Faceplate Tab			•			•					•	
L583-452 Lock Case Cover	•	•				•						
L283-080 Lock Case	•	•	•	•	•							
L583-480/481/482 Cylinder Retainer Assembly										•	•	•
L583-485 Lock Handling Screw										•	•	•
L583-426 L583-427 Faceplate Tab												•
L583-484 Lock Case Cover							•	•			•	•
L283-130 Lock Case (4-1-94)			•	•			•	•		•		
L283-130 Lock Case (7-15-94)							•	•	•	•		

Assembly of lock case parts

Turn hub spring and transfer lever

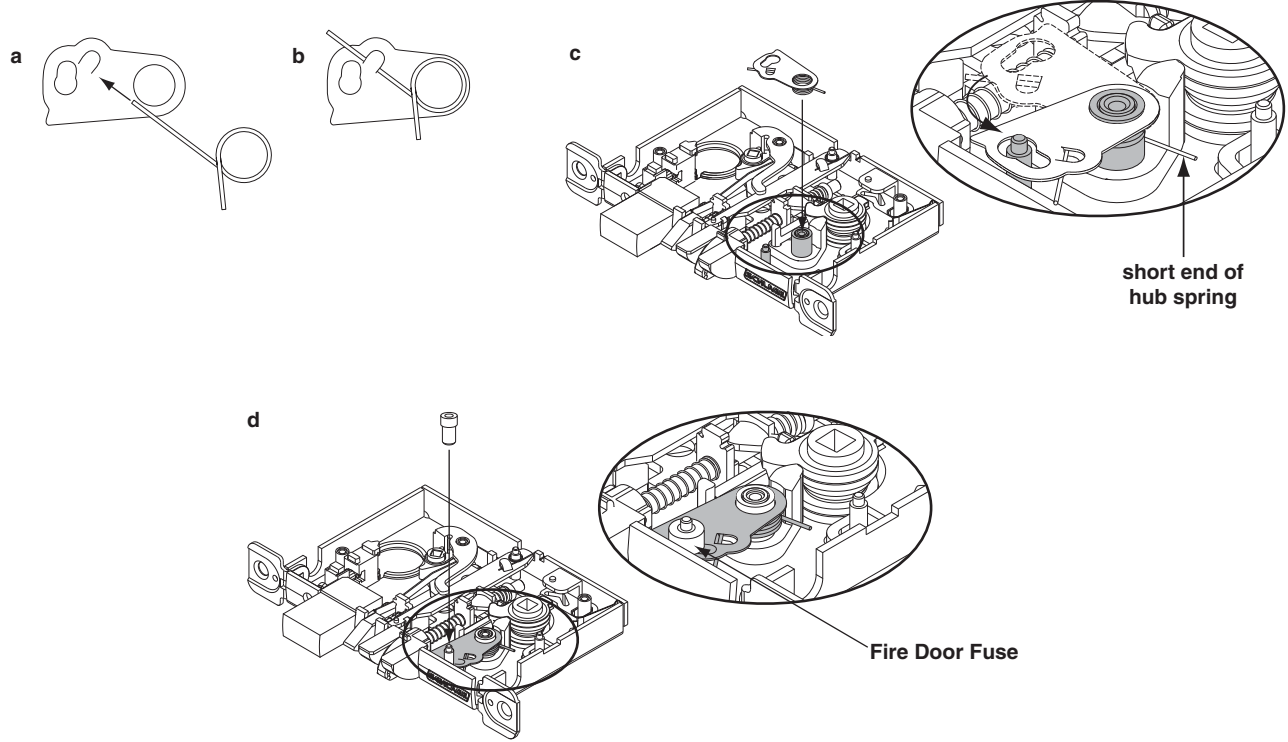


Locking catch/retractor catch and locking link

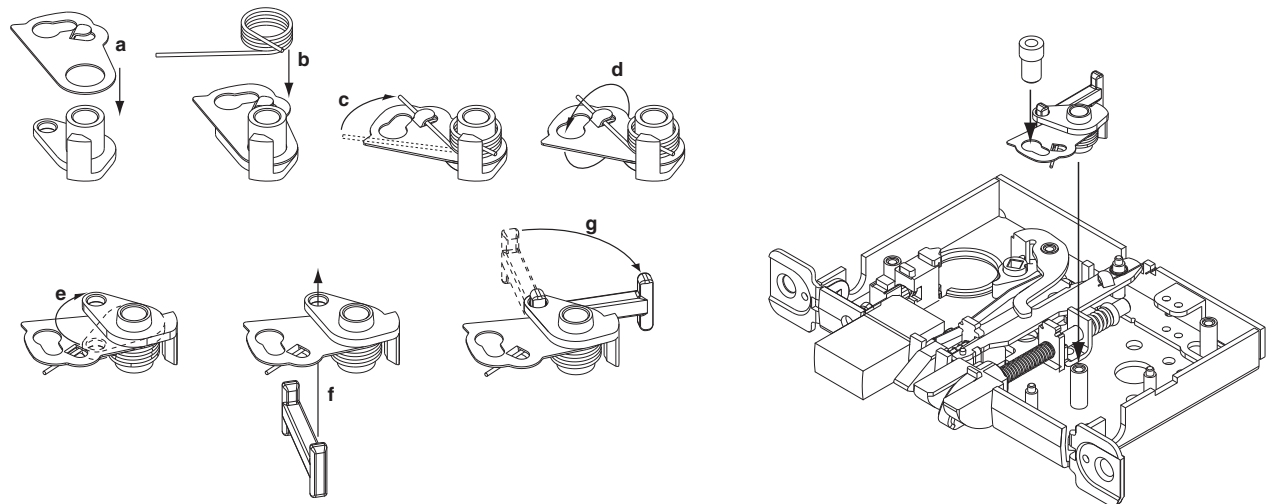


Assembly of lock case parts

L functions only: fire door fuse, fire door catch and hub spring



LV functions only: fire door fuse, fire door catch and hub spring

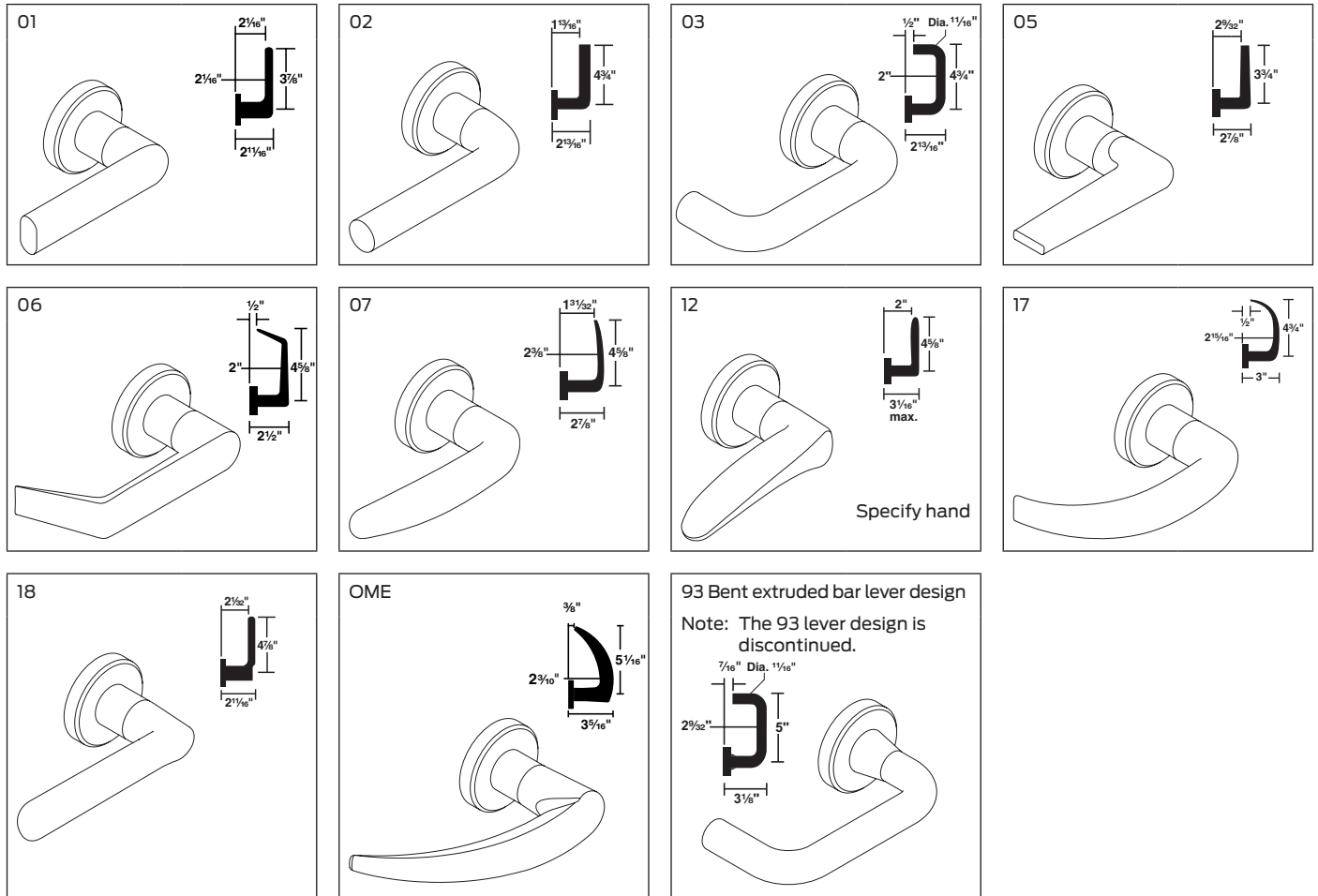


Trim options

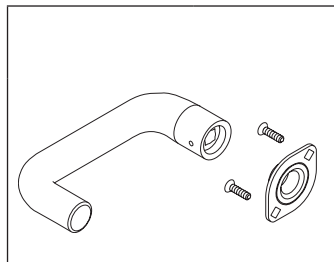
Cast or forged levers, standard lever designs

Standard levers are available in forged brass or bronze, and cast stainless steel. Levers are shown with rose trim A or B. Also available with L or N escutcheon. See escutcheon options on pages 159-161.

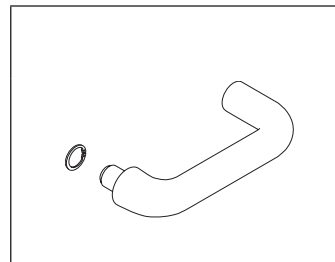
See Schlage Commercial Price Book for available finishes.



Inside lever assembly



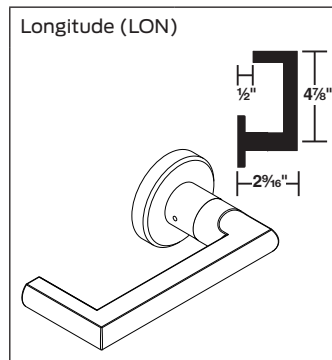
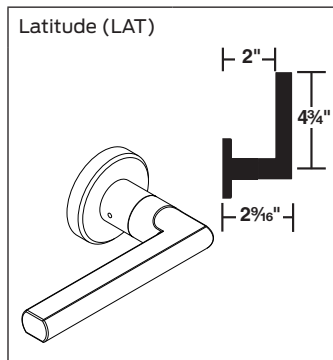
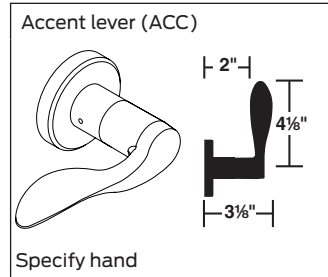
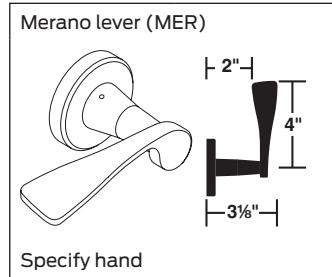
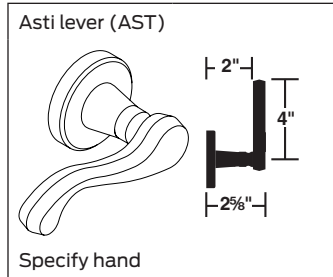
Outside lever assembly



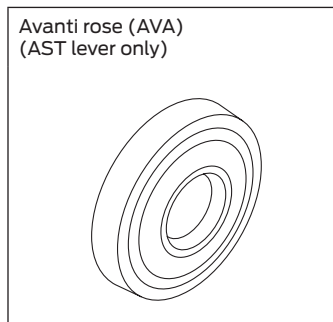
Decorative trim

Decorative trim

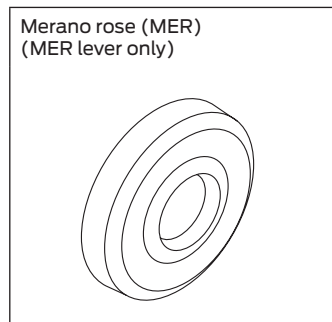
Decorative levers



Decorative roses



2 5/8" diameter



2 5/8" diameter

Note: See Schlage Commercial Price Book for available finishes.

M collection levers

M collection levers

M collection levers are available in solid brass and solid stainless steel. Levers are shown with rose trim A. Also available with L or N escutcheon. See escutcheon options on pages 159-161.

<p>M51</p>	<p>M52</p>	<p>M53</p>	<p>M54</p>
<p>M55</p>	<p>M56</p>	<p>M57</p>	<p>M61</p>
<p>M62</p>	<p>M63</p>	<p>M81</p>	<p>M82</p>
<p>M83</p>	<p>M84</p>	<p>M85</p>	<p>ME1</p>
<p>ME2</p>	<p>ME3</p>	<p>Inside lever assembly 09-402</p> <p>Bushing attached at factory. Furnished with spanner wrench.</p>	<p>Outside lever assembly 09-401</p> <p>Furnished with retainer seating tool.</p>

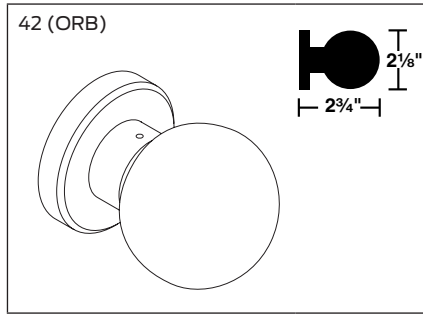
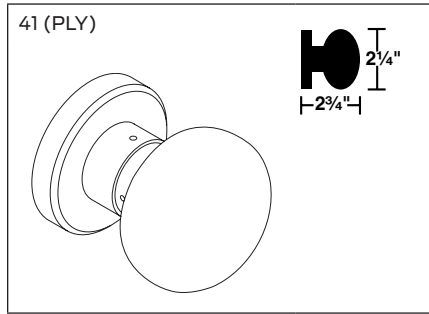
Note: See Schlage Commercial Price Book for available finishes.

Wrought knob designs

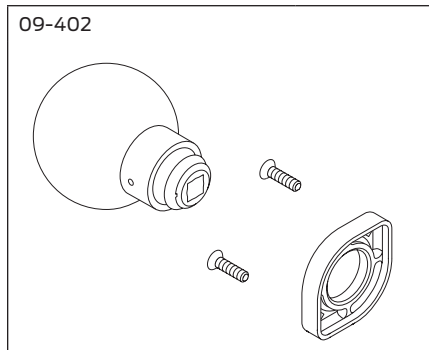
Wrought knob designs

Knobs shown with rose trim A or B. Also available with L or N escutcheons.

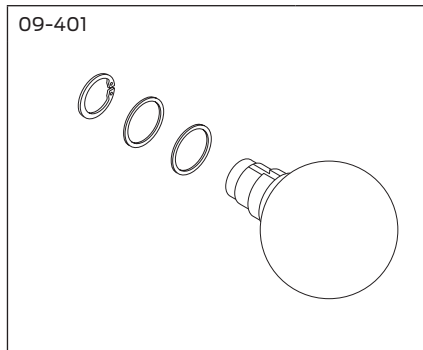
See escutcheon options on pages 159-161.



Inside knob assembly



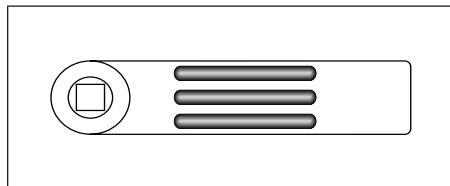
Outside knob assembly



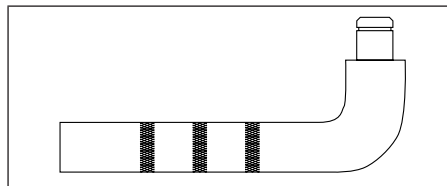
Note: See Schlage Commercial Price Book for available finishes.

Tactile warning (knurling) levers and knobs

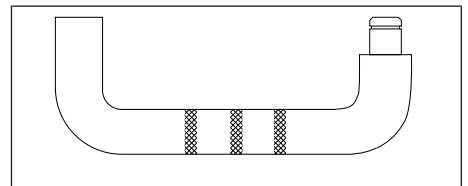
Applied to outside knob/lever only unless otherwise specified. Available on 01, 02, 03, 05, 06, 07, 12, 17, 18, M51, M52, M81, ME1, ME2, and ME3 lever designs, and 41 and 42 knob designs.



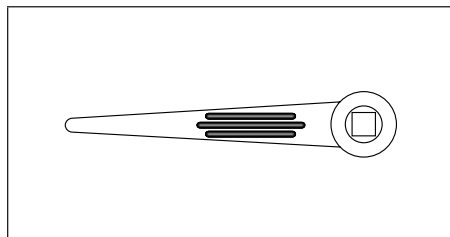
Milling pattern for backside of 01, 06, 07, 17, and 18 levers.



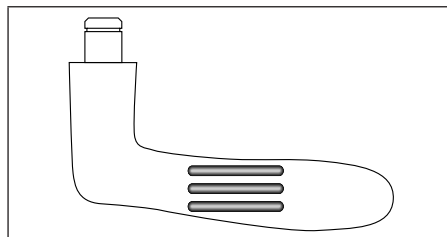
Knurling pattern for 02 lever.



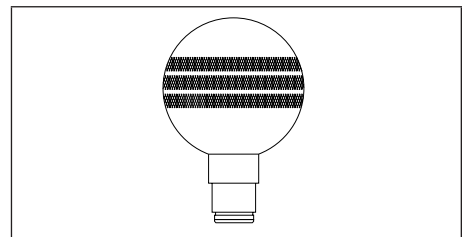
Knurling pattern for 03 lever.



Milling pattern for backside of 05 lever.



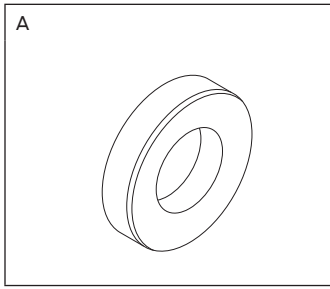
Milling pattern for underside of 12 lever. Specify door hand.



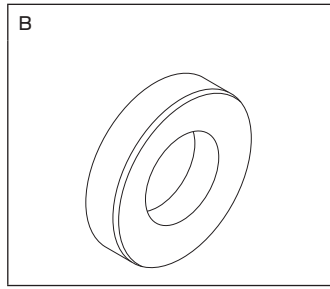
Knurling pattern for 42 knob.

Notes: When ordering trim parts, specify the complete design and finish (e.g. 09-633-03L 605). See Schlage Commercial Price Book for available finishes. To specify knurling, place the number 8 in front of the lever design code (e.g. 801 for lever design 01 with knurling).

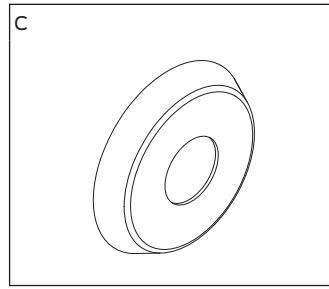
Rose trim A, B, or C



2 1/8" diameter



2 9/16" diameter

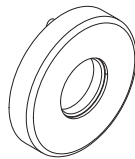


2 5/8" diameter (Not available in 612 or 613 finish.)

Inside rose

09-403

Rose design A— 2 1/8" dia. x 1 3/32"
 Rose design B— 2 9/16" dia. x 1 3/32"
 Rose design C— 2 5/8" dia. x 1 3/32"

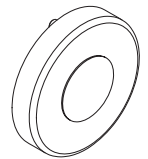


Furnished with mounting plate and screws.
 For decorative trim, see page 155.

Blank outside rose

09-508

Rose design A— 2 1/8" dia. x 1 3/32"
 Rose design B— 2 9/16" dia. x 1 3/32"
 Rose design C— 2 5/8" dia. x 1 3/32"

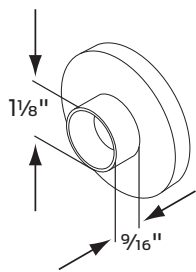


Furnished with mounting plate, screws, and plug. Used to mount inside rose trim on doors prepared for trim both sides. Not available in MER or AVA designs.

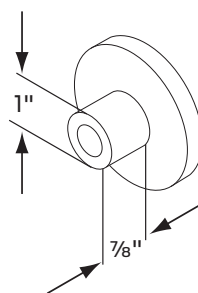
Outside rose with bushing dimensions

09-404 or 09-506 with knob or lever. Bushing is attached at factory.

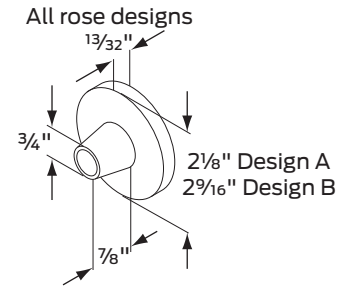
41, 42



01, 02, 03, 05, 06, 07, 12, 17, 18, ACC, LAT, LON, OME, STA



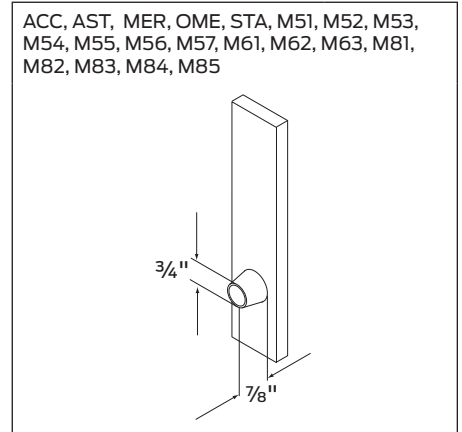
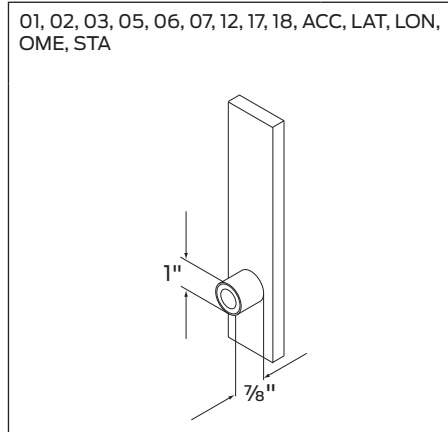
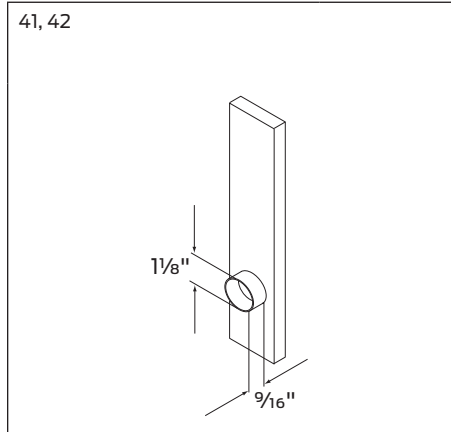
AST, MER, M51, M52, M53, M54, M55, M56, M57, M61, M62, M63, M81, M82, M83, M84, M85



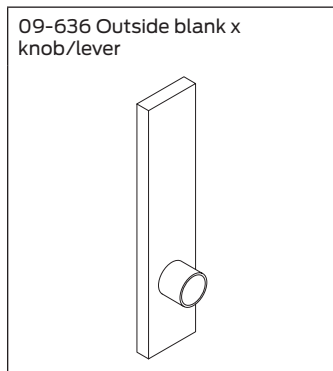
L escutcheon trim

Outside escutcheon dimensions

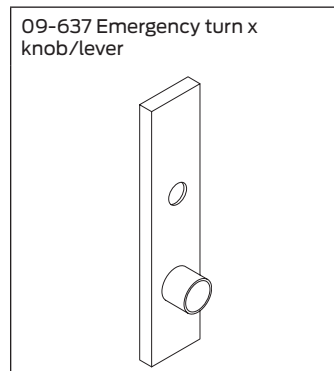
Knob/lever design: 7⁵/₁₆" x 1³/₄" x 7⁷/₁₆" cold forged brass, bronze, or stainless steel base material. Bushing is attached at factory.



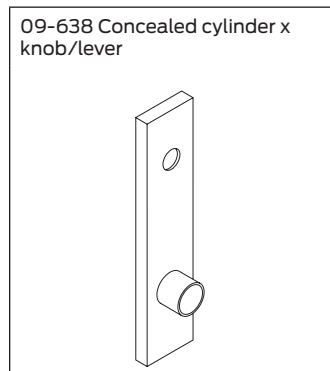
Outside escutcheons



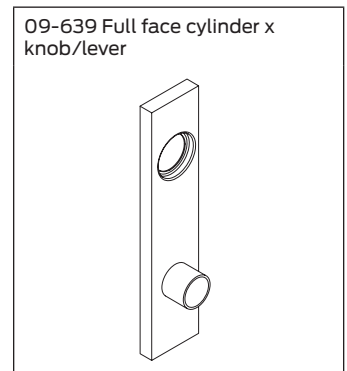
Specify 09-636 or 09-550 with knob/lever.



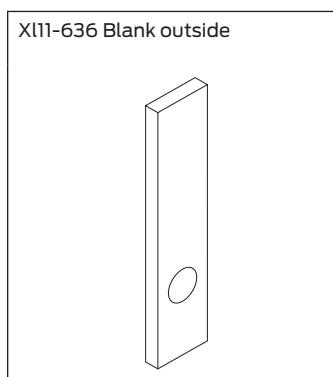
Specify 09-637 or 09-551 with knob/lever.



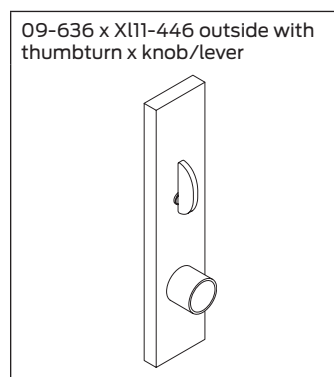
Specify 09-638 or 09-552 with knob/lever.



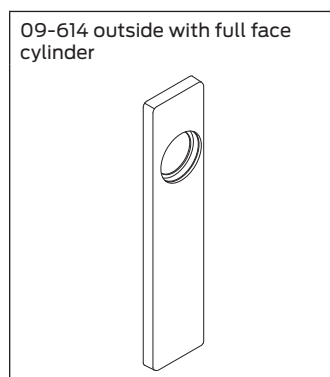
Specify 09-639 or 09-553 with knob/lever.



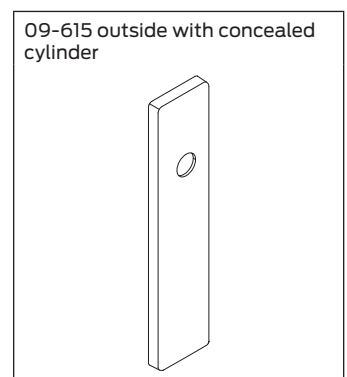
Specify XL11-636 OOL.



For L9040 x XL11-446 function. Not sold separately.



For L9026 function.



For L9026 function.

L escutcheon trim

Inside Escutcheons

09-632 Blank x knob/Lever



09-633 Thumbturn x knob/Lever



Specify door thickness: 1 $\frac{3}{8}$ " or 1 $\frac{3}{4}$ " Available with EZ Turn (ADA). See "Additional trim options" on page 165.

09-634 Thumbturn x blank

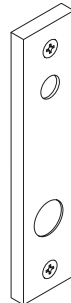


Specify door thickness: 1 $\frac{3}{8}$ " or 1 $\frac{3}{4}$ " Available with EZ Turn (ADA). See "Additional trim options" on page 165.

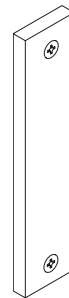
09-635 Full face cylinder x Knob/Lever



L583-187 Concealed cylinder x knob/lever



XL11-634 Blank inside



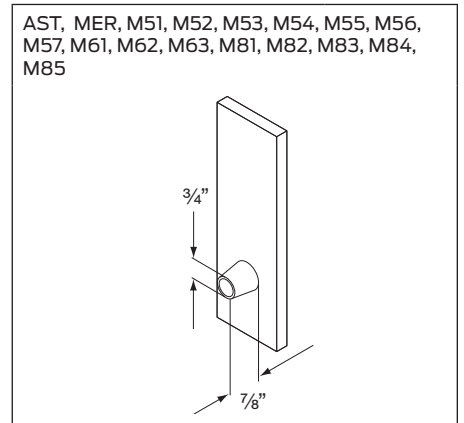
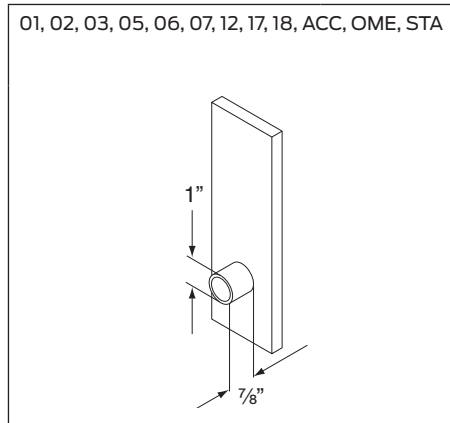
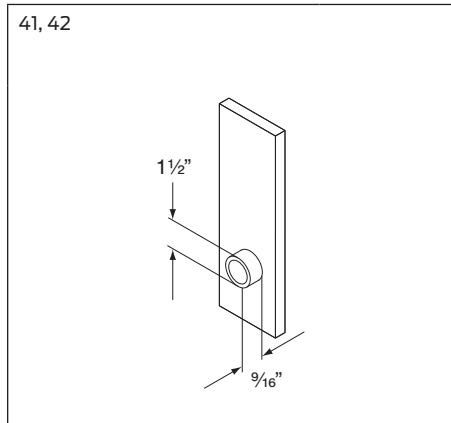
Notes: When ordering trim parts, specify the complete design and finish (e.g. 09-632 01L 605). See Schlage Commercial Price Book for available finishes.

N escutcheon trim

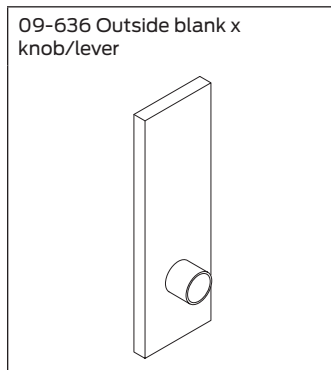
N escutcheon trim

Outside escutcheon dimensions

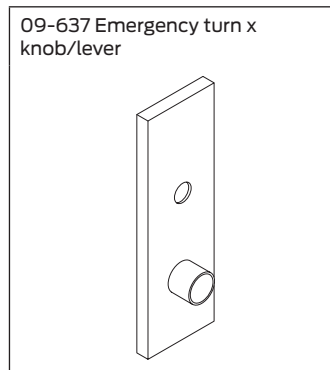
Knob/lever design: 7⁷/₈" x 2¹/₂" x 7¹/₁₆" heavy wrought reinforced brass, bronze, or stainless steel base material. Bushing is attached at factory.



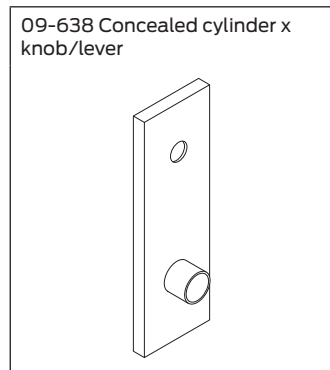
Outside escutcheons



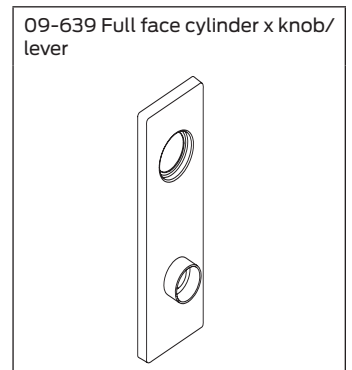
Specify 09-636 or 09-550 with knob/lever.



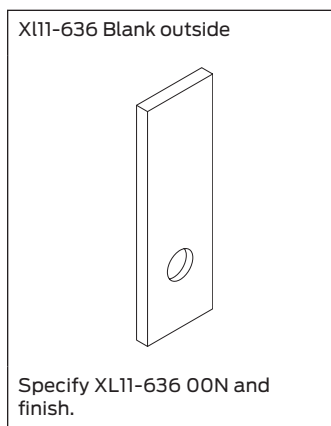
Specify 09-637 or 09-551 with knob/lever.



Specify 09-638 or 09-552 with knob/lever.



Specify 09-639 or 09-553 with knob/lever.

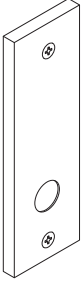


N escutcheon trim

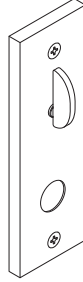
Inside escutcheons

(Includes two (2) screws and mounting plate)

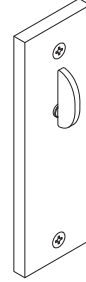
09-632 Blank x knob/Lever



09-633 Thumbturn x knob/Lever



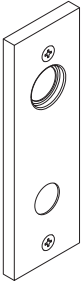
09-634 Thumbturn x blank



Specify door thickness: 1 $\frac{3}{8}$ " or 1 $\frac{3}{4}$ " Available with EZ Turn (ADA). See "Additional trim options" on page 165.

Specify door thickness: 1 $\frac{3}{8}$ " or 1 $\frac{3}{4}$ " Available with EZ Turn (ADA). See "Additional trim options" on page 165.

09-635 Full face cylinder x Knob/Lever



L583-187 Concealed cylinder x knob/lever



Notes: When ordering trim parts, specify the complete design and finish (e.g. 09-402 03N 605). See Schlage Commercial Price Book for available finishes.

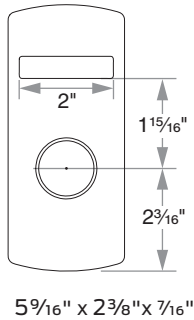
Indicator trim options

Indicator trim options

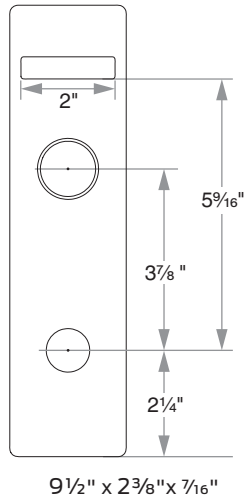
Indicator trim is available for sectional and N escutcheon trim, for inside and outside trim where trim consists of a cylinder, thumb turn, coin turn, or emergency turn. For sectional cylinder specifications, see "Indicator cylinders" on page 179. For escutcheon cylinders, see page 169.

Indicator faceplate dimensions (for reference only)

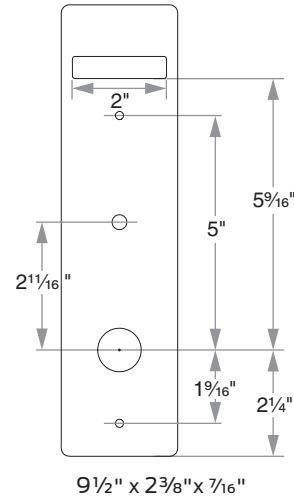
Sectional



Outside escutcheon (cylinder)



Inside escutcheon (thumbturn)



Indicator kits

Kits include: rose (sectional) or escutcheon, mounting plate, mounting screws, retaining ring, cam, clip, indicator sign (see indicator sign table on page 164), mounting template, instructions, and thumb turn or coin turn assembly as applicable.

	Locked	Occupied	Do Not Disturb	Unlocked
	Unlocked	Vacant		Unlocked
Sectional trim, cylinder for inside or outside of door	L283-413	L283-414	L283-415	L283-416
Sectional trim, thumb turn for inside of door*	L283-417	L283-418	L283-419	L283-420
Sectional trim, coin turn for outside of door	L283-421	L283-422	L283-423	L283-424
Sectional trim, privacy for outside of door**	L283-425	L283-426	L283-427	L283-428
N Escutcheon trim, cylinder for outside of door	L283-429	L283-430	L283-431	L283-432
N Escutcheon trim, cylinder for inside of door	L283-433	L283-434	L283-435	L283-436
N Escutcheon trim, thumb turn for inside of door*	L283-437	L283-438	L283-439	L283-440
N Escutcheon trim, coin turn for outside of door	L283-441	L283-442	L283-443	L283-444
N Escutcheon trim, privacy for outside of door	L283-445	L283-446	L283-447	L283-448

Note: See Schlage Commercial Price Book for available finishes.







* Optional large ADA thumbturn available. Add L583-363 to part number above (example: L283-417.L583-363.626).

** Emergency override by small screwdriver tool, not by emergency key. Tool may be ordered by part number 47285675.

Indicator trim options

Indicator options

Specify when ordering indicator option with complete lock.

	Optional Indicators			
	 Locked	 Occupied	Do Not Disturb	
	 Unlocked	 Vacant		
Inside	L283-711	L283-712	L283-713	L283-714
Outside	L283-721	L283-722	L283-723	L283-724

Indicator parts

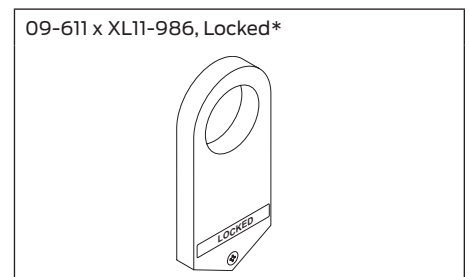
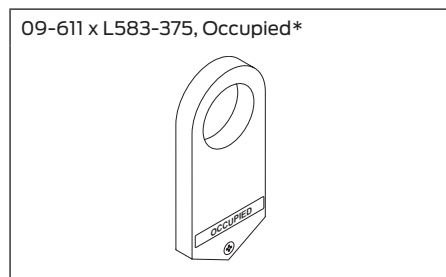
Part number	Description
L583-709	Message sign, locked/unlocked for 180° indicator
L583-710	Message sign, occupied/vacant for 180° indicator
L583-711	Message sign, do not disturb/blank for 180° indicator
L583-712	Message sign, symbols only for 180° indicator
L283-561	Cam kit, 180° indicator (includes cam and 3/8" retaining ring) cylinder and privacy indicators

Part number	Description
L283-629	Cam kit, 180° indicator (includes cam and 3/8" retaining ring), thumb turn and coin turn indicators
L583-717	Sectional mounting plate, cylinder indicator
L583-736	Screw pack: 2 each: L583-579 Mounting Plate Screws, L583-899 Mounting Plate Screws, and L583-755 Trim Screws (specify finish)
L583-752	Sectional mounting plate, coin/privacy/thumbturn indicator

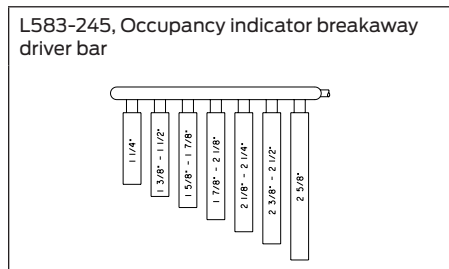
09-611 Occupancy indicators

"Old style" for sectional (rose) trim

Available for functions L/LV9486 and L/LV9496 only. Specify finish.



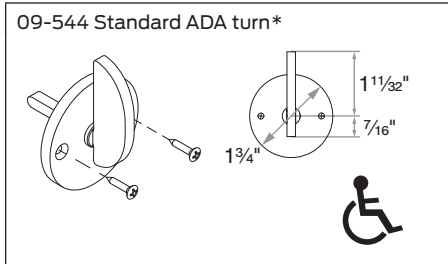
* Includes driver bar L583-245.



Breakaway driver bars, all door ranges.
L496, L/LV9486 and L/LV9496 functions.

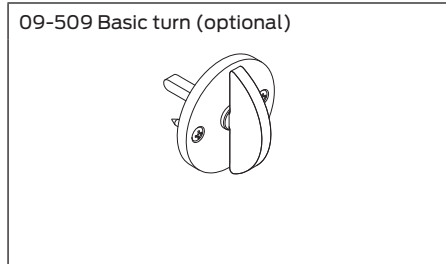
Additional trim options

Thumbturn for rose (sectional) trim

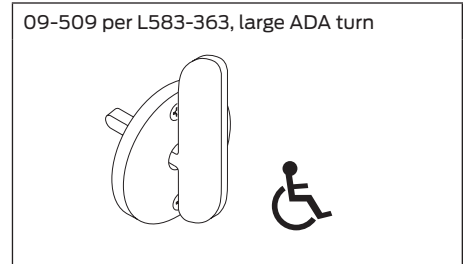


Thumbturn for deadbolt functions and privacy locks with rose trim.

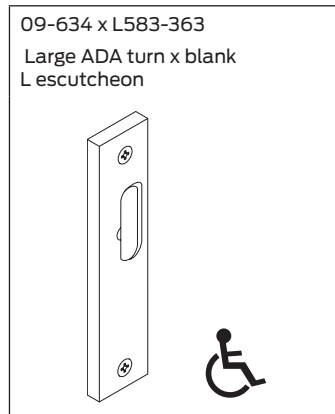
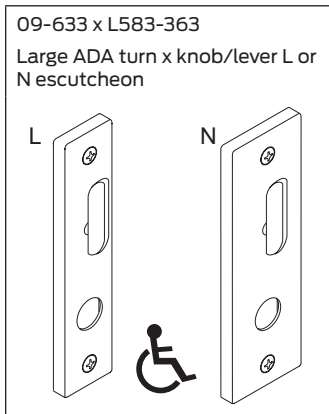
09-544 is standard thumbturn for all orders unless otherwise specified.



Optional thumbturn for deadbolt functions and privacy locks with rose trim.

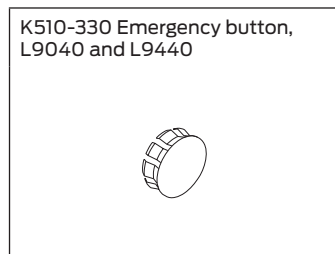
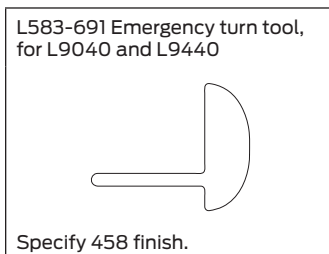


Thumbturn for escutcheon trim



* Not available in 612 or 613 finishes. For 612 or 613 finishes, order large ADA thumbturn 09-500 x L583-363. For thick door applications, specify 09-509 x L583-363.

Privacy turn

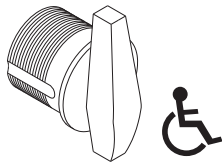


Notes: Specify door thickness.
Emergency turn tool L583-691 will not operate privacy indicator.
When ordering trim parts, specify the complete design and finish (e.g. 09-633-03L 605).
See Schlage Commercial Price Book for available finishes.

Additional trim options

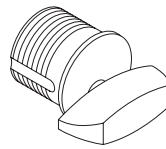
Cylinder turn

XB11-720 Cylinder with ADA compliant thumbturn



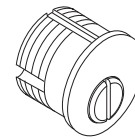
Available with L463 and L9463 locks. Specify per XB11-720 and door hand. If handing is not required, specify NH (non-handed). When ordered alone, specify either 09-900, 09-904, 09-905 or 09-907 per XB11-720.

09-900 Cylinder turn



09-900 through 09-907 Cylinder classroom turns are furnished with L463 and L9463 locks. Specify dimension and door hand. If handing is not required, specify NH. See handing instructions on page 189.

09-487 Cylinder coin turn



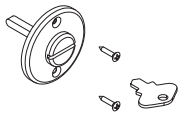
Specify dimension and door hand. If handing is not required, specify NH (non-handed).

Notes: Specify door thickness.
When ordering trim parts, specify the complete design and finish (e.g. 09-633-03L 605).
See Schlage Commercial Price Book for available finishes.

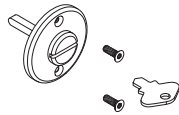
Coin turn

For sectional trim

L283-124 Coin turn, standard, L9044 and L9444



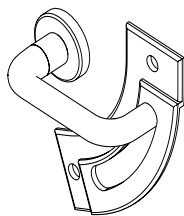
L283-056 Coin turn with torx screws, L9044 and L9444



Note: See Schlage Commercial Price Book for available finishes.

03 lever for Folger Adam Co.® Lever Trak™

503 lever design



Modified inside and outside 03 lever. Specify lever design as 503.
Available for rose trim only. Lever Trak is not included.

Trim assembly parts

Escutcheon thru-bolt/screws

Two required per lock

Part number	Specify finish	Description	Door thickness
L583-119	•	L escutcheon thru-bolts/screws	1 ³ / ₈ "
L583-120	•		1 ³ / ₄ "
L583-121	•		2"
L583-122	•		2 ¹ / ₄ "
L583-123	•		2 ¹ / ₂ "
K510-389	•	N escutcheon thru-bolts/screws	1 ³ / ₄ "
K510-390	•		2–2 ¹ / ₄ "
L583-287	•	L escutcheon thru-bolts/screws, L0170 single	–
L583-133	•	N escutcheon thru-bolts/screws, L0170 single	–

Standard screw packs

Part number	Specify finish	Description	Contents
C203-736	455	Lock case mounting screws	(2) C603-256, #12-24 WMS PFH
C203-736	•	Strike screws	(2) C603-256, #12-24 WMS PFH
K110-020	•	Armor mounting screws	(2) K510-210, #8-32 x 1/4" PFHMS
K110-947	•	Rose trim thumbturn screws	(2) K510-445, #4 x 1/2" POH AB
L283-100		Trim mounting screws and posts, 1 ³ / ₄ " doors	(2) L583-066, #8-32 x 5/8" PFH (2) L583-212, 1 ³ / ₄ " ferrule
L283-101	•	L escutcheon thru-bolts, 1 ³ / ₄ " doors	(2) L583-120

Tamper resistant Torx® screw packs

Part number	Specify finish	Description	Contents
L283-121	•	Rose trim without thumbturn	(2) Armor screws, L583-370, #8-32 x 1/4" (T-15) (2) Strike screws, L583-371, #12-24 x 1/2" (T-20)
L283-123	•	L escutcheon trim for 1 ³ / ₄ " doors	(2) Armor screws, L583-370, #8-32 x 1/4" (T-15) (2) Strike screws, L583-371, #12-24 x 1/2" (T-20) (2) Escutcheon mounting screws, L583-373, 1/4-28 x 2 1/8" (T-30)
L283-122	•	Rose trim with thumbturn	(2) Armor screws, L583-370, #8-32 x 1/4" (T-15) (2) Strike screws, L583-371, #12-24 x 1/2" (T-20) (2) Thumbturn screws, L583-372, #4 x 2 1/2" (T-8)
XL11-848	•	N escutcheon trim for 1 ³ / ₄ " doors	(2) Armor screws, L583-370, #8-32 x 1/4" (T-15) (2) Strike screws, L583-371, #12-24 x 1/2" (T-20) (2) Escutcheon mounting screws, XL11-841, #8-32 x 1 1/2" (T-20)

Note: Torx® screw packs are furnished with appropriate T-xx installation tools.

Trim assembly parts

Mounting posts

Two required per lock

L Functions	
Part number	Door thickness
L583-211	1 $\frac{3}{8}$ "
L583-212	1 $\frac{3}{4}$ "
L583-213	2"
L583-214	2 $\frac{1}{4}$ "
L583-215	2 $\frac{1}{2}$ "
L583-216	2 $\frac{3}{4}$ "
L583-217	3"
L583-218	3 $\frac{1}{4}$ "
L583-219	3 $\frac{1}{2}$ "

LV Functions	
Part number	Door thickness
N/A	1 $\frac{3}{8}$ "
L583-497	1 $\frac{3}{4}$ "
L583-498	2"
L583-499	2 $\frac{1}{4}$ "
L583-500	2 $\frac{1}{2}$ "
L583-501	2 $\frac{3}{4}$ "
L583-502	3"
L583-503	3 $\frac{1}{4}$ "
L583-504	3 $\frac{1}{2}$ "

Spindles and springs

Part number	Description
L283-060	Spindle and spring for 1 $\frac{3}{8}$ "–1 $\frac{7}{8}$ " doors (two required per lock)
L283-061	Spindle and spring for 2"–3 $\frac{1}{2}$ " doors (two required per lock)
L283-064	Spindle and spring for L0172 double dummy, L9091 EL/EU, L9093 EL/EU, L9095 EL/EU, L9493 EL/EU, L9495 EL/EU (one required per lock)
L283-065	Spindle and spring for L0170 single dummy (one required per lock)
L283-198	Spindles and springs kit (two each) for 1 $\frac{3}{8}$ "–1 $\frac{7}{8}$ " doors
L283-199	Spindles and springs kit (two each) for 2"–3 $\frac{1}{2}$ " doors

Trim assembly parts

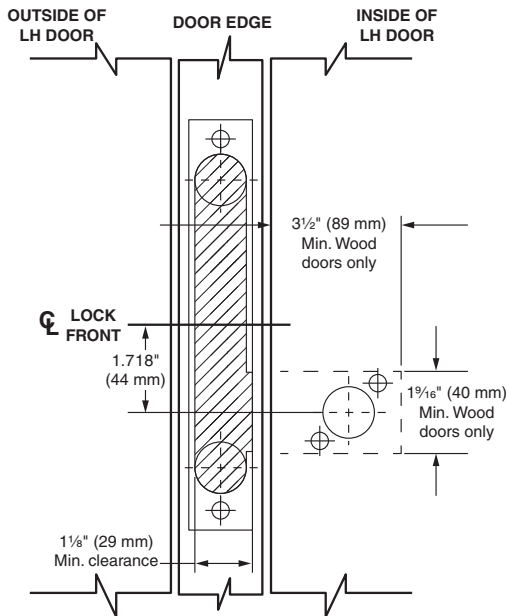
Mounting plate for trim one side only

L283-150 Mounting plate and posts for rose trim on one side of door. For lever, use with mounting plate L283-031. For knob, use with mounting plate L583-321.

DOOR DETAIL

For location of cylinder and/or thumbturn holes, as well as all other dimensions, see appropriate lock function template.

Measure backset from \mathcal{Q} of door edge.

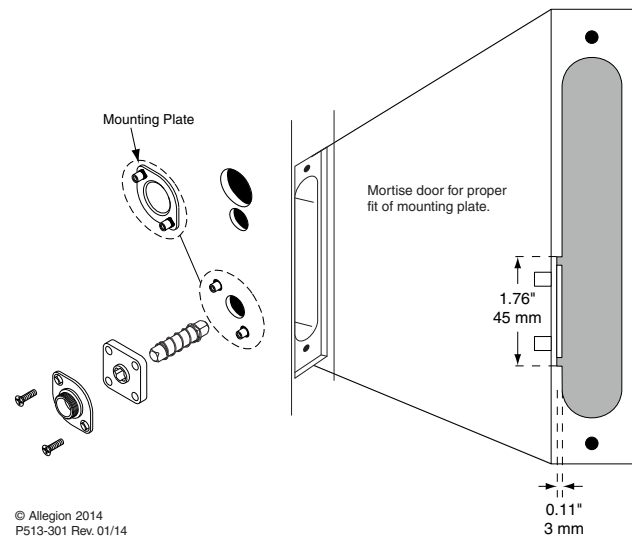


NOTE: Prepare door for rose trim on one side of door only.



L-Series Installation Instructions

Mounting plate for trim one side



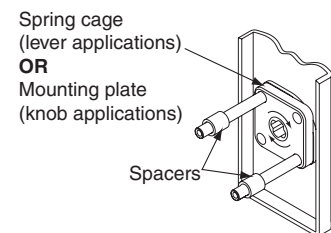
© Allegion 2014
P513-301 Rev. 01/14

ANSI A115.1 1990 Hollow steel door installations



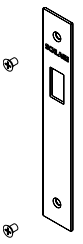
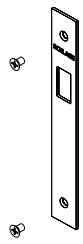
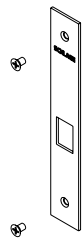
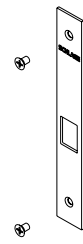
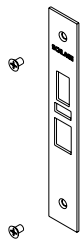
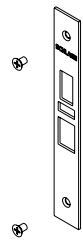
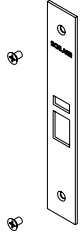

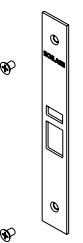

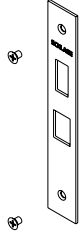

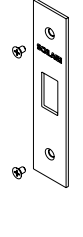

L283-029 For 1 3/4" thick hollow steel doors prepared per ANSI A115.1, 1990.

Install two spacers between the spring cage (or knob mounting plate) and lock as chassis shown. Spacers are required for both the inside and outside escutcheons.

Note: L escutcheon designs are not applicable for ANSI A115.1 door preparations.



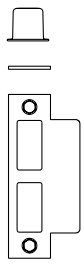
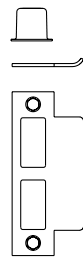
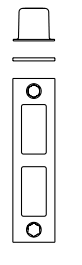
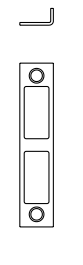
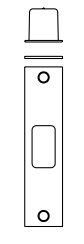
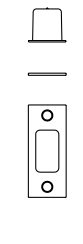
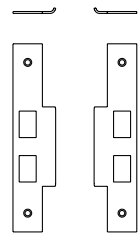
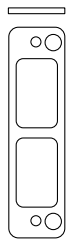
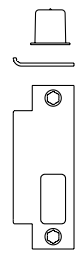
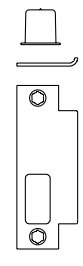
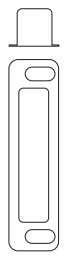
Armor fronts

1/4" Square corner	1/16" Square corner*	Description and functions	1/4" Square corner	1/16" Square corner*	Description and functions
Non UL 09-661 	09-667 	Blank L9110 L9175 L9176	Non UL 09-168 UL 09-665 	09-179 09-671 	Deadbolt L9460 L9462 L9463 L9464
Non UL 09-165 UL 09-662 	09-216 09-668 	Latch L9010 L/LV9040 L/LV9044	Non UL 09-169 UL 09-666 	09-180 09-672 	Latch x aux latch x deadbolt L/LV9453 L/LV9486 L/LV9458 L/LV9492 L/LV9480 L/LV9493 L/LV9482 L/LV9494 L/LV9485 L/LV9495
Non UL 09-166 UL 09-663 	09-177 09-669 	Latch x auxiliary latch L/LV9050 L/LV9082 L/LV9056 L/LV9090 L/LV9060 L/LV9091 L/LV9070 L/LV9092 L/LV9071 L/LV9093 L9080 L/LV9095 L/LV9081	Non UL 09-713 	- 	Latch x aux. latch (holdback) L/LV9076 L/LV9077
Non UL 09-167 UL 09-664 	09-178 09-670 	Latch x deadbolt L/LV9440 L9465 L/LV9444 L9466 L/LV9456 L9473 L/LV9457 L/LV9496	Non UL 09-215 UL 09-717 	- 	Deadbolt L460 L464 L462 L480 L463 L496

Note: For L/LV9090/91/92/93/94/95 with DPS feature, use armor 09-666 (1/4" wide) or 09-670 (1/16" wide).
 For LM9200 armor fronts, see page 185.

* For use with 1 3/8" thick doors. Use with 1/16" faceplate tab, L583-427.

Strikes

<p>10-072 Square corner Standard 1³/₁₆" Lip</p>  <p>Size: 4⁷/₈" x 1¹/₄"</p>	<p>10-072 Square corner 7⁸/₁₆", 1", 1¹/₂", 1³/₄" or 2" Lip</p> <p>Specify lip length</p>  <p>Size: 4⁷/₈" x 1¹/₄"</p>	<p>10-073 Square corner Deadbolt Strike, No Lip</p>  <p>Size: 4⁷/₈" x 1¹/₄"</p>	<p>10-075 Square corner 1/2" Rabbeted, No Lip</p>  <p>Size: 4⁷/₈" x 1"</p>
<p>10-078 Square corner L400 Series No Lip</p>  <p>Size: 4⁷/₈" x 1¹/₄"</p>	<p>10-079 Square corner L400 Series, Standard No Lip</p>  <p>Size: 3¹/₂" x 1¹/₈"</p>	<p>10-091 Square corner L and RR or R and LR (Armor strike) 1³/₁₆" Lip</p>  <p>Specify handing</p> <p>Size: 8" x 1¹/₄"</p>	<p>37-015 Door frame reinforcer L9000 Series 1/4" Radius Round Corner</p>  <p>Size: 4⁷/₈" x 1¹/₄"</p>
<p>10-144 Square corner L and RR for SK1, SL1 and HSLR trim 1³/₁₆" Lip</p>  <p>Size: 4⁷/₈" x 1¹/₄"</p>	<p>10-145 Square corner R and LR for SK1, SL1 and HSLR trim 1³/₁₆" Lip</p>  <p>Size: 4⁷/₈" x 1¹/₄"</p>	<p>K510-066 Strike box For 10-078 strike</p>  <p>Size: 4¹³/₁₆" x 1¹/₄" x 1⁵/₁₆"</p>	

Strike dimensions and components

Part number	Lip	Lock series	Door range	Strike box	Screws (2 ea)
10-072*	1"	L9010 to L9496	—	K510-066	C603-256
	1 ³ / ₁₆ "		1 ³ / ₈ "–1 ⁷ / ₈ "	K510-066	C603-256
	1 ¹ / ₂ "		1 ⁷ / ₈ "–2 ¹ / ₈ "	K510-066	C603-256
	1 ³ / ₄ "		2 ¹ / ₈ "–2 ⁵ / ₈ "	K510-066	C603-256
	2"		2 ⁵ / ₈ "–3 ¹ / ₈ "	K510-066	C603-256
	7 ⁸ / ₁₆ "		—	K510-066	C603-256
10-073	—	—	—	K510-066	C603-256
10-075**	—	L9000 Series	—	—	C603-256
10-078	—	L400 Series	—	K510-066	C603-256
10-079	—		—	K510-053	C603-256
10-091**	1 ³ / ₁₆ "	L9175, L9176	1 ³ / ₈ "–1 ⁷ / ₈ "	—	K510-210
10-144, 10-145	1 ³ / ₁₆ "	SK1, SL1 and HSLR trim	1 ³ / ₄ "	K510-066	C203-736
37-015	—	L9000	—	—	—

* Specify lip length.

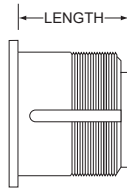
** For 1³/₈" thick doors use 1¹/₁₆" wide armor fronts. For 1³/₄" thick and up doors, use 1¹/₄" wide armor fronts.

Note: Strike boxes and screws can be ordered as parts.

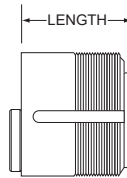
Cylinders

How to measure cylinder lengths

Full face and interchangeable core



Concealed



Cylinder length	Dimension
1 ¹ / ₈ "	118
1 ¹ / ₄ "	114
1 ³ / ₈ "	138
1 ¹ / ₂ "	112
1 ⁵ / ₈ "	158
1 ³ / ₄ "	134

L Series, LV Series cylinder and length requirements

Includes associated Vandlgard® functions where applicable.

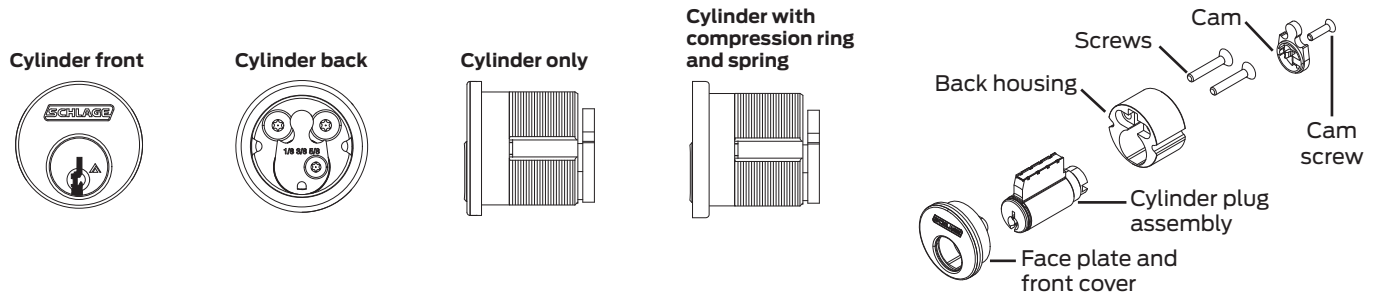
Includes 180° indicators with escutcheon trim. For 180° indicators with sectional trim, see page 179.

Function	Trim	Cylinder	Door thickness			
			1 ³ / ₈ "	1 ³ / ₄ "	2"	2 ¹ / ₄ "
			Dimension			
L9050, L9056, L9070, L9076, L9080, L9453, L9456, L9460 per XL11-635, L9460 per XL11-886, L9464 per XL11-886, L9465, L9473, L9480	Rose	30-001	118	118	118	118
	Escutcheon	30-021	118	114	138	112
	Concealed	30-004	118	114	138	112
L9081, LM9280, LM9380	Rose	30-000	118	114	—	—
	Escutcheon	30-019	118	114	—	—
L9485	Rose	30-002	—	118	118	118
	Escutcheon	30-022	—	114	138	112
	Concealed	30-005	—	114	138	112
L9486	Rose	30-002	114	138	112	158
	Escutcheon	30-022	118	114	138	112
	Concealed	30-005	118	114	138	112
L9496	Rose	30-001	114	138	112	158
	Escutcheon	30-021	118	114	138	112
	Concealed	30-004	118	114	138	112
L9060 inside, L9071, L9077, L9082, L9457, L9458, L9462 per XL11-886, L9464, L9466, L9482	Rose	30-001	118	118	118	118
	Escutcheon	30-001	114	—	—	—
		30-021	—	118	114	138
Concealed	30-004	—	118	114	118	
L9060 outside	Rose	20-001	118	118	118	118
	Escutcheon	20-001	114	—	—	—
		26-021	—	118	114	138
Concealed	26-023	—	118	114	138	
L460, L462, L463, L464, L496, L9460, L9462, L9463, L9464	Rose trim only	30-001	118	118	118	118

Note: Blocking ring and/or compression rings may be required and must be ordered separately. See page 180 for details.

Cylinders

Full face cylinders



L Series, LV Series (except L9060/LV9060 outside and LM9280, LM9380/LMV9380)

Description	Cylinder mechanism	Complete cylinder
Cylinder only: L and N escutcheons	Conventional	30-021
	Primus® controlled access	20-793
	Primus XP controlled access	20-793-XP
	Primus UL437	20-593
	Primus XP UL437	20-593-XP
	Hotel function	30-022*
Cylinder with compression ring and spring: Rose trim	Conventional	30-001
	Primus controlled access	20-787
	Primus XP controlled access	20-787-XP
	Primus UL437	20-587
	Primus XP UL437	20-587-XP
	Primus lockout	20-717
	Primus XP lockout	20-717-XP
	Primus UL437 lockout	20-517
	Primus XP UL437 lockout	20-517-XP
	Hotel function	30-002*
	Everest 29 SL	91-062
	Everest 29 SL Primus XP	91-757-XP

Traditional cams	Modular cams	
L583-254 Classic conventional	L583-474 1 1/8", 1 3/8", 1 5/8" length	L583-800 Everest 29 SL 1 1/8" length
L583-153 Everest® and Primus®	L583-475 1 1/4", 1 1/2", 1 3/4" length	L583-801 Everest 29 SL 1 1/4" length

L9060/LV9060 outside

Description	Cylinder mechanism	Complete cylinder
Cylinder only: L and N escutcheons	Conventional	26-021
	Primus controlled access	20-701
	Primus XP controlled access	20-701-XP
	Primus UL437	20-501
	Primus XP UL437	20-501-XP
Cylinder with compression ring and spring: Rose trim	Conventional	20-001
	Primus controlled access	20-700
	Primus XP controlled access	20-700-XP
	Primus UL437	20-500
	Primus XP UL437	20-500-XP
	Primus lockout	20-715
	Primus XP lockout	20-715-XP
	Primus UL437 lockout	20-515
	Primus XP UL437 lockout	20-515-XP
	Everest 29 SL	91-051
Everest 29 SL Primus XP	91-751-XP	
Cylinder with compression ring and 1/8" blocking ring	Conventional (available in 1 1/8" only)	20-002

Traditional cams	Modular cams	
B502-191 Conventional	L583-476 1 1/8", 1 3/8", 1 5/8" length	L583-802 Everest 29 SL 1 1/8" length
B502-948 Everest and Primus	L583-477 1 1/4", 1 1/2", 1 3/4" length	L583-803 Everest 29 SL 1 1/4" length

* Specify hand for hotel function cylinders. Not available in Primus. Furnished 0-bitted; emergency keys must be ordered separately.

Notes: Lockout keys are not furnished with cylinders and must be ordered separately. Lockout cylinders will not be master-keyed by Schlage.

Cylinders

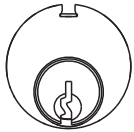
LM9280 and LM9380/LMV9380 Full face cylinders

Description	Cylinder mechanism	Complete cylinder	Modular cams
Cylinder only: L and N escutcheons	Conventional (specify handing)	30-019	L583-475
Cylinder only: Rose		30-000	L583-474 or L583-475
Cylinder only: L and N escutcheons	Everest 29 SL	91-130	L583-801
Cylinder only: Rose		91-129	L583-800

Note: Refer to modular cam illustrations on previous page.

Concealed cylinders

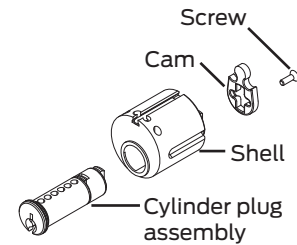
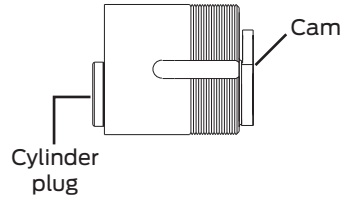
Cylinder front



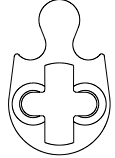
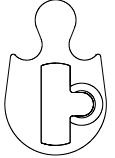
Cylinder back



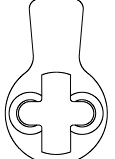
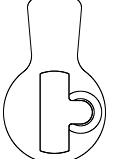
Cylinder only



L Series, LV Series (except L9060/LV9060 outside)

Description	Cylinder mechanism	Complete cylinder	Cams	
Cylinder only: L escutcheon	Conventional	30-004		
	Primus® controlled access	20-789		
	Primus XP controlled access	20-789-XP		
	Primus UL437	20-589		
	Primus XP UL437	20-589-XP		
	Hotel function	30-005*		

L Series, LV Series L9060/LV9060 outside

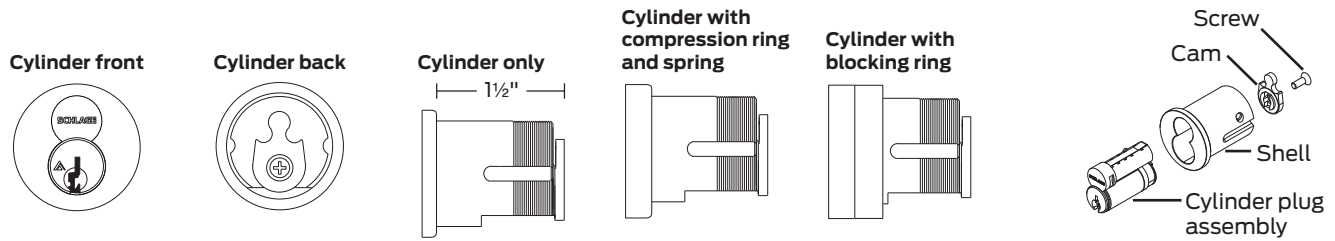
Description	Cylinder mechanism	Complete cylinder	Cams	
Cylinder only: L escutcheon	Conventional	26-023		
	Primus controlled access	24-767		
	Primus XP controlled access	24-767-XP		
	Primus UL437	24-567		
	Primus XP UL437	24-567-XP		

* Specify hand for hotel function cylinders. Not available in Primus®. Emergency keys must be ordered separately.

- Notes:
- 1) Everest hotel function cylinders are available in 1 1/8", 1 1/4", and 1 3/8" only.
 - 2) 1 1/8" (Dim=118) cylinders are furnished unless otherwise specified. Cylinder length depends on function, trim and door thickness.
 - 3) Finishes: 606 and 626.
 - 4) Specify LKB if 0-bitted Primus cylinders are required less key blanks.
 - 5) Extended lengths are available.

Cylinders

Full size interchangeable core cylinders



L/LV/LM/LMV-Series (except L9060 /LV9060 outside and LM9280, LM9380 /LMV9380)

Description	Cylinder mechanism	Complete cylinder	Cam
Cylinder only: L and N escutcheons	Housing less core	30-016	L583-255
Cylinder with compression ring and spring: L and N escutcheons	Conventional core	30-008*	
	Everest SL core	91-163	
	Primus® core	20-798	
	Primus XP core	20-798-XP	
	Everest SL Primus XP core	91-863-XP	
	Hotel function	30-010**	
	Housing less core	30-007	
Cylinder with compression ring, compression spring and 3/8" blocking ring: rose trim	Conventional core	30-138*	
	Everest SL core	91-169	
	Primus core	20-776	
	Primus XP core	20-776-XP	
	Everest SL Primus XP core	91-869-XP	
	Hotel function core	30-140**	
	Housing less core	30-137	

L, LV Series L9060 /LV9060 outside

Description	Cylinder mechanism	Complete cylinder	Cam
Cylinder only: L and N escutcheons	Housing less core	30-032	K510-680
Cylinder with compression ring and spring: L and N escutcheons	Conventional core	30-030*	
	Everest SL core	91-165	
	Primus core	20-782	
	Primus XP core	20-782-XP	
	Everest SL Primus XP core	91-865-XP	
Cylinder with compression ring, compression spring and 1/2" blocking ring: rose trim***	Primus core	20-783	
	Primus XP core	20-783-XP	

LM, LMV-Series LM9280 and LM9380 /LMV9380

Description	Cylinder mechanism	Complete cylinder	Cams	
Cylinder with compression ring and spring	FSIC housing and core (specify handing)	26-101*		
	FSIC housing less core (specify handing)	26-102		
	FSIC housing less logo core (specify handing)	26-103		

* Can be ordered with construction core.

** Specify hand for hotel function cylinders. Not available in Primus®. Emergency key must be ordered separately.

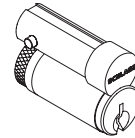
*** For this configuration with conventional core, order 30-030 cylinder and 36-082-050 blocking ring.

Cylinders

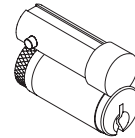
Assembled full size interchangeable cores

Part number	Description
23-030	Conventional core
23-031	Conventional core less logo
91-161	Everest SL core (B, R keyways only)
91-162	Everest SL core less logo (B, R keyways only)
20-740	Primus® core
20-740-XP	Primus XP core
20-741	Primus core less logo
20-741-XP	Primus XP core less logo
91-861-XP	Everest SL Primus XP core (B, R keyways only)
91-862-XP	Everest SL Primus XP core less logo (B, R keyways only)
30-120*	Hotel function conventional core for L9485 and L9486
30-121*	Hotel function conventional core, less logo, for L9485 and L9486

23-030



23-031



Full size core parts

Part number	Description
C503-115	Cap pin spring (order in multiples of 100)
C503-118	Retainer cap (order in multiples of 25)
C603-827	Cap pin (order in multiples of 100)
C603-956	Actuating ring
C603-964	Actuating pin (control top pin)
C603-967	Control bottom pin (order in multiples of 100)

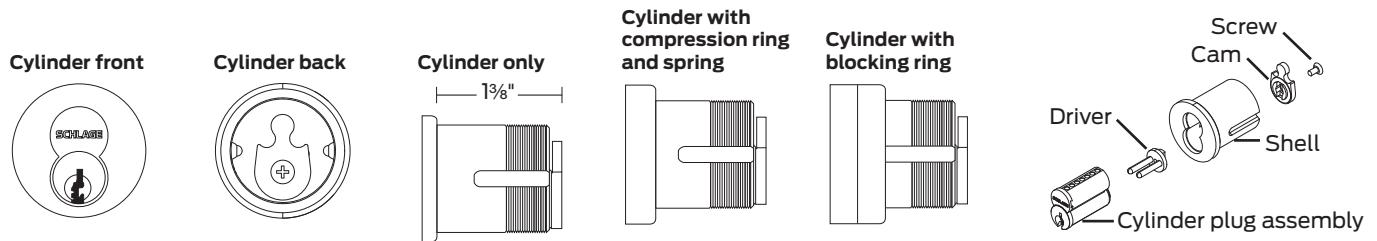
* Specify hand for hotel function cores. Emergency keys must be ordered separately.

** For cores manufactured before November 1997.



- Notes:
- 1) Control keys must be ordered separately.
 - 2) Finishes: 606, 613, 622, 626, 643e.
 - 3) Full size cores, conventional and Primus®, can be integrated into any Schlage key system with compatible Everest® or Classic keyways.
 - 4) Primus® cores can be integrated into any Schlage 6-pin key system with compatible Primus keyways.
 - 5) Primus® cores are Controlled Access. Specify LKB if 0-bitted Primus cores are required less key blanks.

Cylinders


Small format interchangeable core cylinders





L/LV/LM/LMV-Series (except L9060 /LV9060 outside and LM9280, LM9380/LMV9380)

Description	Cylinder mechanism	Complete cylinder	Cam	
Cylinder with compression ring and spring: L and N escutcheons	Everest® and Everest 29™ restricted combined core (B, R keyways only)	80-308		
	Construction core	Disposable		80-115
		Keyed		80-138
Housing less core		80-108		
Cylinder with compression ring, compression spring and 1/4" blocking ring: rose trim	Everest and Everest 29 restricted combined core (B, R keyways only)	80-301		
	Construction core	Disposable		80-109
		Keyed		80-131
Housing less core		80-101		

L, LV Series L9060 /LV9060 outside

Description	Cylinder mechanism	Complete cylinder	Cam	
Cylinder with compression ring and spring: L and N escutcheons. Note: For rose (sectional) trim also order 36-082-050 blocking ring.	Everest and Everest 29 restricted combined core (B, R keyways only)	80-304		
	Construction core	Disposable		80-112
		Keyed		80-134
Housing less core		80-104		

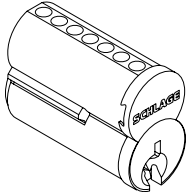
LM, LMV-Series LM9280 and LM9380/LMV9380

Description	Cylinder mechanism	Complete cylinder	Cams	
Cylinder with compression ring and spring	SFIC housing (specify handing)	26-104		
	SFIC housing and temporary core (specify handing)	26-105		
	SFIC housing and core (specify handing)	26-106		

*

Cylinders

Everest® and Everest 29™ patented keyway small format interchangeable cores

Part number	Description	80-036, 80-037
80-037	Everest combined core, includes master keying	
80-036	Everest uncombined core (does not include keys, pins or springs)	

- Notes:
- 1) Finishes: 606, 613, 622, and 626.
 - 2) Everest B and Everest 29 R family keyways are restricted.
 - 3) Key symbol must be specified for combined cores.
 - 4) Control keys must be ordered separately.
 - 5) Specify 80-035 for construction cores.

Special cylinder applications

"X" Part number	Description
XB03-418	Extended mortise cylinder (20-001, 30-001 or 30-004), 1 $\frac{7}{8}$ "–5" long, Classic or Everest®
XB11-475*	Full size IC extended mortise cylinder (26-091 or 30-008), 2 $\frac{1}{4}$ "–5" long, Classic or Everest®
	Primus® full size IC extended mortise cylinder (20-763 or 20-798), 2 $\frac{1}{4}$ "–5" long
	Full size IC mortise cylinder housing less core (20-059 or 30-007) 2 $\frac{1}{4}$ "–5" long
XB11-638	Primus® mortise cylinder (20-700, 20-787, or 20-789), 1 $\frac{7}{8}$ "–5" long

- * Available in $\frac{1}{4}$ " increments. Order collars or blocking rings separately to fill gaps.
- Notes:
- 1) Specify complete cylinder as required, then "X" number (e.g. 20-001-118-P per XB11-475).
 - 2) Primus cylinders are Controlled Access. Specify LKB if 0-bitted Primus® cylinders are required less key blanks.
 - 3) Specify finish and dim code.

Indicator cylinders

Note: These tables apply to 180° indicator locks with sectional trim only. Escutcheon indicator cylinders are the same as non-indicator applications. For escutcheon trim indicator cylinders, refer to page 172.

INSIDE INDICATOR, sectional, double cylinder

Cylinder type/dimension	Door Thickness			
	1 ³ / ₈ "	1 ³ / ₄ "	2"	2 ¹ / ₄ "
	1 ¹ / ₄ " – 1 ⁹ / ₁₆ "	> 1 ⁹ / ₁₆ " – 1 ⁷ / ₈ "	> 1 ⁷ / ₈ " – 2 ¹ / ₈ "	> 2 ¹ / ₈ " – 2 ³ / ₈ "
Sectional	30-001 114 *	30-021 118	30-021 114	30-021 138
RD, JD	Not available	Use standard length FSIC cylinder. Must use applicable FSIC blocking ring (below) for 1 ³ / ₄ " doors.		
BD, BDC, GD, HD	Not available	Use standard length SFIC cylinder. No blocking ring required.		
Cylinder turn (L463, L9463)**	Not available	09-900 118	09-900 114	09-900 138
Blocking rings, FSIC	Not available	36-082 012	N/R	N/R
Blocking rings, SFIC	Not available	N/R	N/R	N/R

* Use compression ring, K510-406 (see under 36-083 at "Blocking and compression rings" on page 180.

** Use cylinder spring, L583-195.

Note: Substitute inside cylinder/cylinder turn or inside blocking ring only. Applies to sectional, double cylinder functions only.

N/R = not required

OUTSIDE INDICATOR, sectional, single cylinder

Cylinder type/dimension	Door Thickness			
	1 ³ / ₈ "	1 ³ / ₄ "	2"	2 ¹ / ₄ "
	1 ¹ / ₄ " – 1 ⁹ / ₁₆ "	> 1 ⁹ / ₁₆ " – 1 ⁷ / ₈ "	> 1 ⁷ / ₈ " – 2 ¹ / ₈ "	> 2 ¹ / ₈ " – 2 ³ / ₈ "
Sectional	30-021 118	30-021 114	30-021 138	30-021 112
RD, JD	Use standard length FSIC cylinder. Must use applicable FSIC blocking ring (below) for 1 ³ / ₈ " and 1 ³ / ₄ " doors.			
BD, BDC, GD, HD	Use standard length SFIC cylinder. No blocking ring required.			
Blocking rings, FSIC	36-082 025	36-082 012	N/R	N/R
Blocking rings, SFIC	N/R	N/R	N/R	N/R

N/R = not required

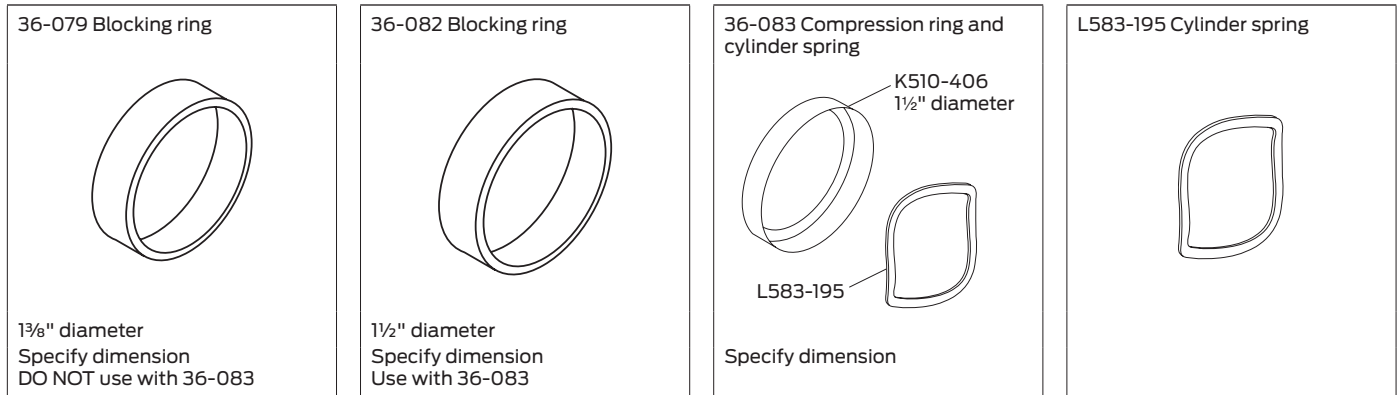
OUTSIDE INDICATOR, sectional, double cylinder

Cylinder type/dimension	Door Thickness			
	1 ³ / ₈ "	1 ³ / ₄ "	2"	2 ¹ / ₄ "
	1 ¹ / ₄ " – 1 ⁹ / ₁₆ "	> 1 ⁹ / ₁₆ " – 1 ⁷ / ₈ "	> 1 ⁷ / ₈ " – 2 ¹ / ₈ "	> 2 ¹ / ₈ " – 2 ³ / ₈ "
Sectional except L9060	30-001 114	30-021 118	30-021 114	30-021 138
Sectional L9060	20-001 114	26-021 118	26-021 114	26-021 138
RD, JD	Not available	Use standard length FSIC cylinder. Must use applicable FSIC blocking ring (below) for 1 ³ / ₄ " doors.		
BD, BDC, GD, HD	Not available	Use standard length SFIC cylinder. No blocking ring required.		
Blocking rings, FSIC	Not available	36-082 012	N/R	N/R
Blocking rings, SFIC	Not available	N/R	N/R	N/R

Note: Substitute outside cylinder or outside blocking ring only. Applies to sectional, double cylinder functions only.

N/R = not required

Blocking and compression rings



Dimensions for blocking rings

Blocking ring length	Dimension
1/8"	012
3/16"	018
1/4"	025
5/16"	031

Blocking ring length	Dimension
3/8"	037
7/16"	043
1/2"	050

Full size core blocking ring requirements, L Series, LV Series

Function	Trim	Door Thickness			
		1 3/8"	1 3/4"	2"	2 1/4"
		Dimension			
L9050, L9056, L9070, L9076, L9080, L9081, L9453, L9456, L9460 per XL11-635 or XL11-886, L9464 per XL11-886, L9465, L9473, L9480	Rose	050	037	025	025
	Escutcheon	025	012	N/R	N/R
L9485 per XL11-557	Rose	—	037	025	025
	Escutcheon	—	012	N/R	N/R
L9486, L9496	Rose	012	N/R	N/R	N/R
	Escutcheon	025	012	N/R	N/R
L9060, L9071, L9077, L9082, L9457, L9458, L9462 per XL11-886, L9466, L9482 (Two (2) blocking rings required)	Rose	—	050	043	031
	Escutcheon	025	012	N/R	N/R
L460, L464, L496, L9460, L9464	Rose	050	037	025	025
L462, L463, L9462, L9463 (Two (2) blocking rings required)	Rose	—	050	043	031

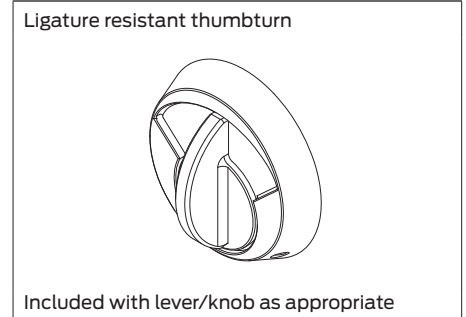
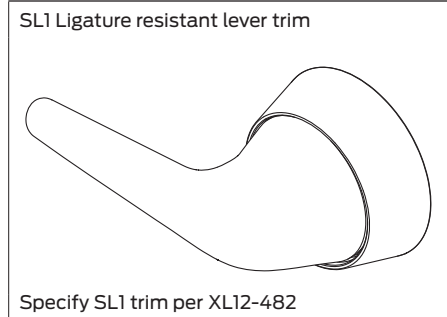
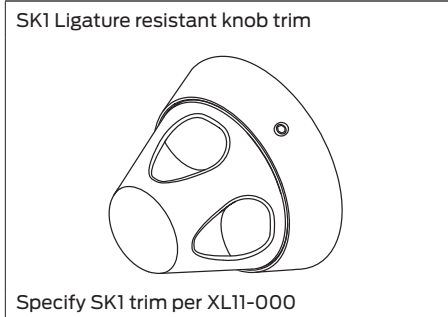
SFIC blocking ring requirements, L Series, LV Series

Function	Trim	Door Thickness			
		1 3/8"	1 3/4"	2"	2 1/4"
		Dimension			
L9050, L9056, L9070, L9076, L9080, L9081, L9453, L9456, L9460 per XL11-886 or XL11-635, L9464 per XL11-886, L9465, L9473, L9480	Rose	037	025	012	N/R
	Escutcheon	N/R	N/R	N/R	N/R
L9060, L9071, L9077, L9082, L9457, L9458, L9462 per XL11-886, L9464, L9466, L9482 (two (2) blocking rings required)	Rose	—	050	037	025
	Escutcheon	018	N/R	N/R	N/R
L9496	Rose	025	012	N/R	N/R
	Escutcheon	N/R	N/R	N/R	N/R
L460, L464, L496, L9460, L9464	Rose	037	025	012	N/R
L462, L463, L9462, L9463 (two (2) blocking rings required)	Rose	—	050	037	025

N/R = none required

Special options

Ligature resistant trim



Note: Ligature resistant trim components not available for sale as individual parts.

Ligature resistant conversion kits

Knob	Lever	Kit contents	Knob or lever functions
09-155	09-138	(2) ligature resistant knob or lever assembly (2) ligature resistant blocking ring (2) trim ferrules (lever kit only)	L9010, L9060, L9070, L9071, L9076, L9077, L9080, L9081, L9082, L9092EL/EU, L9095EL/EU, L9176, L9457, L9458, L9465, L9466, L9482
09-156	09-139	(2) ligature resistant knob or lever assembly (1) ligature resistant blocking ring (1) ligature resistant thumbturn assembly (2) trim ferrules (lever kit only)	L9050, L9056, L9412, L9453, L9456, L9460 with pull, L9473, L9480, L9485
09-159	09-189	(2) ligature resistant knob or lever assembly (1) ligature resistant thumbturn assembly (1) emergency ADA turn (1) emergency button (2) trim ferrules (lever kit only)	L9040, L9440

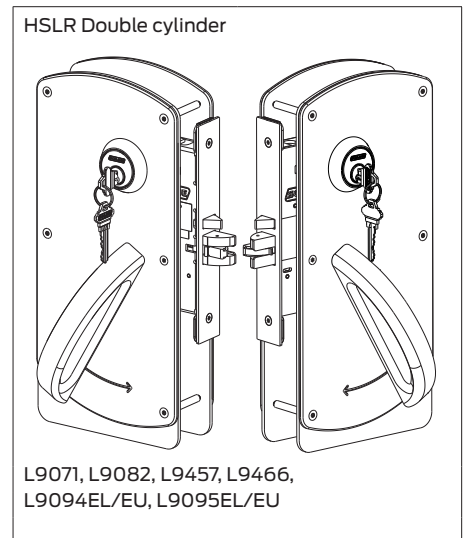
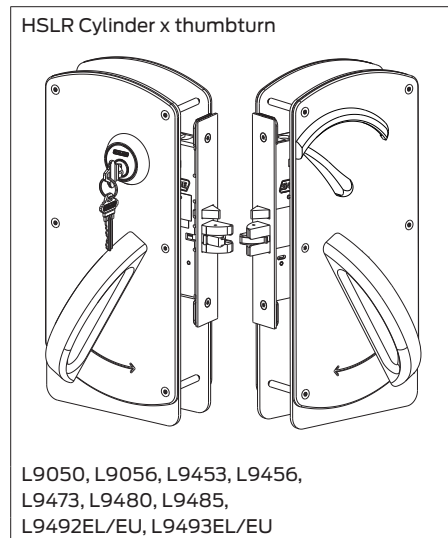
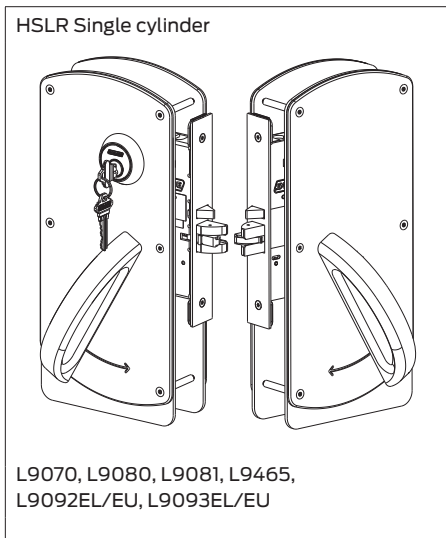
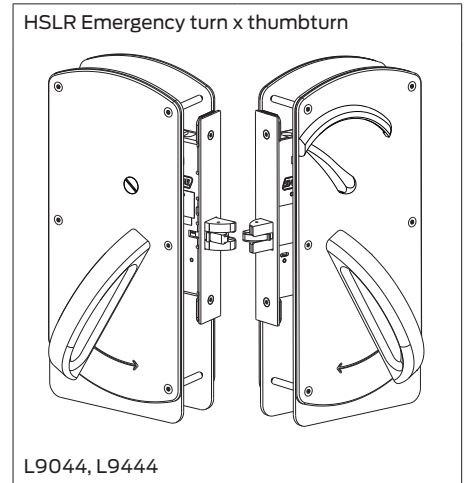
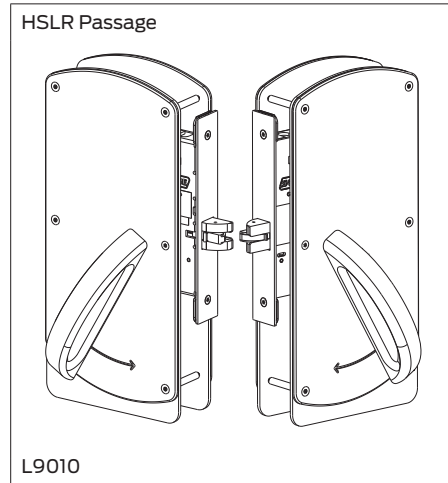
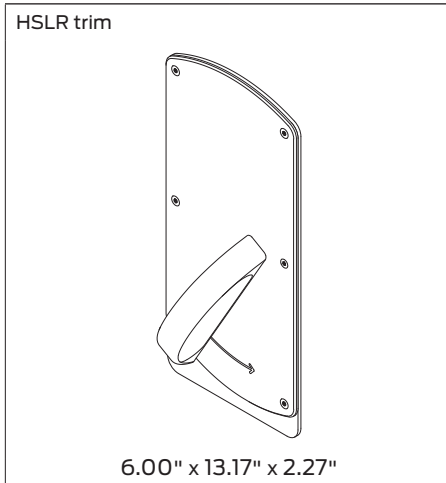
Deadbolt	Kit contents	Deadbolt functions
09-157	(2) ligature resistant blocking ring	L462, L464, L9462, L9464
09-158	(1) ligature resistant blocking ring (1) ligature resistant thumbturn assembly	L460, L480, L9460

- Notes:
- 1) For 1¾" doors only.
 - 2) For sectional trim only.
 - 3) Available finishes: 630 (satin stainless steel) or 630AM (satin stainless steel with anti-microbial coating).
 - 4) Specify cylinder type: "P" for (P) type, "R" for (R, J, F, T) types, and "BD" for (BD, BDC, GD, HD) types, following the part number.
 - 5) Not available with "L" (lock less cylinder) option.

Special options

High security ligature resistant (HSLR) trim

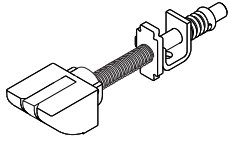
Recommended for high-risk applications.



- Notes:
- 1) For 1¾" doors only.
 - 2) Available finish: 630 (satin stainless steel).
 - 3) Specify cylinder type: "P" for (P) type, "R" for (R, J, F, T) types, and "BD" for (BD, BDC, GD, HD) types, following the part number.
 - 4) Not available with "L" (lock less cylinder) option.

Special options

XL11-422 Solid latchbolt



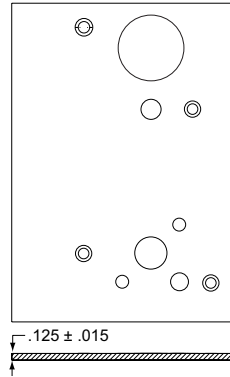
For use with electric strikes. The anti-friction tongue is replaced by a nylon insert to prevent interference with the strike gate.

XL11-743 Armor front (deadbolt)



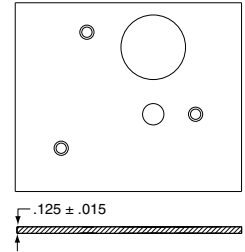
Armor front with deadbolt hole for use with dummy functions or inactive doors. Specify dummy function per XL11-743.

XL11-515 L9000 lead lining



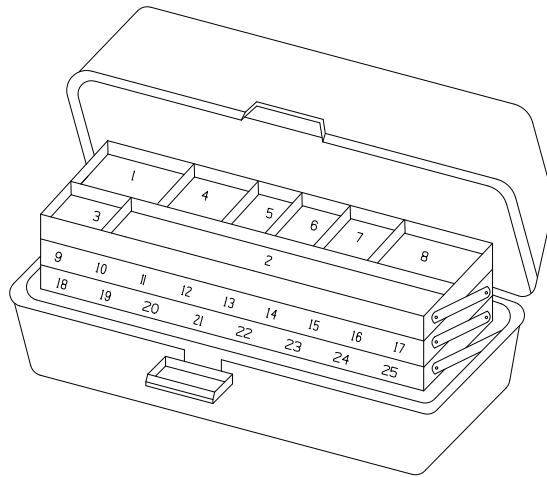
Lead plate installed on case cover. Buyer should verify that the preparation meets local installation requirements or regulations. Specify door hand.

XL12-216 L400 lead lining



Installation tools and kits

40-054 Maintenance kit

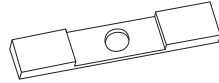
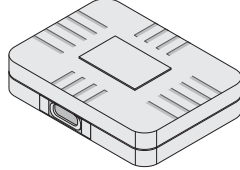
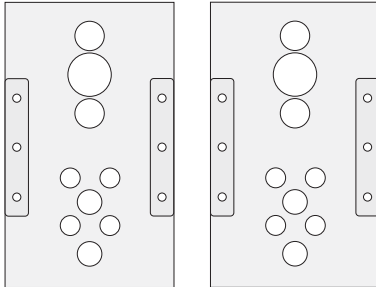
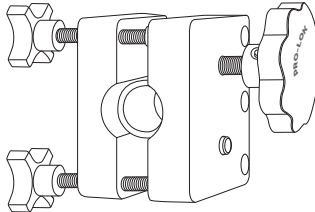
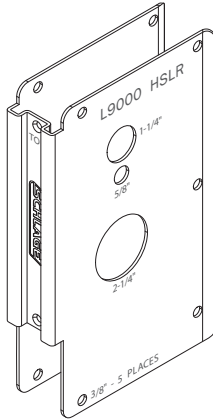


Maintenance kit contents:

#	Part No.	Desc.	Qty
Top	P509-491	Sheet, Parts	1
1	C603-256	Screws, Mounting	6
	L583-035	Spring, Turn Hub	6
	L583-053	Retractor, Simultaneous	3
	L283-040	Spring, Cage	6
	L583-058	Retractor, Simultaneous	3
2	L583-321	Plate, Mounting, IS, Knob	3
	L283-031	Plate, Mounting, IS, Lever	3
3	L583-454	Screw, Case	12
4	L583-049	Link, Entrance	2
	L583-051	Lever, Transfer	3
5	L583-056	Pin, Catch	3
6	L583-050	Pin, Link	3
7	K110-020-455	Screw Pack	1
	K110-020-637	Screw Pack	1
	K110-020-640	Screw Pack	1
8	L583-144	Washer, Lever	25
	L583-066	Screws, Mounting Post	6
9	L583-212	Mounting Post 134 Door	6
	L583-029	Hub, Turn	3
11	L283-030	Truarc® Ring	1
12	L583-214	Mounting Post	6
	L583-020	Spacer	3
13	L583-021	Lever, Retractor	3
	L583-022	Rocker, Retractor	3
	L583-023	Plate, Blocking	3
	L583-748	Hub, Retractor	6
	L283-101-639	Bolts, Esc.	1
14	L283-101-640	Bolts, Esc.	1
	L283-101-652	Bolts, Esc.	1
	L583-196	Stop, Deadlatch	3
16	L583-044	Spring, Stop	3

#	Part No.	Desc.	Qty
17	L583-481	Screw, Retainer	3
	L583-492	Plate, Screw	2
	L583-490	Retainer	2
18	L583-485	Screw, Catch	6
	L583-047	Spring, Catch	2
19	L583-038	Guide, Aux. Bar	3
	L283-006	Latch, Aux.	3
20	L583-026	Spring, Hub	3
	L583-027	Fuse, Fire Door	3
	L583-028	Catch, Fire Door	3
21	L583-024	Link, Retractor	3
	L583-025	Crank, Retractor	3
22	L583-030	Hub, Entrance	2
	L583-031	Cam, Follower	2
23	K110-953-455	Screw Pack, Mounting, Esc.	3
	K110-953-498	Screw Pack, Mounting, Esc.	3
	K110-953-613	Screw Pack, Mounting, Esc.	3
24	K510-310	Truarc Ring, Knob	25
	K510-239	Washer, Thrust	50
25	K110-550	Truarc Ring and Spacer	12
Bottom	L583-322	Spacer, Lever	6
	L583-032	Deadbolt	3
	L583-033	Bar, Deadbolt	1
	L583-034	Bar, Entrance	1
	L583-146	Bar, Deadbolt	1
	L583-426	Faceplate, Tab 1¼"	2
	L583-427	Faceplate, Tab 1⅛"	2
	L583-048	Link, Locking	2
	L583-045	Catch, Locking	3
	L283-060	Spindles	6
	40-053	Kit, Trim, Replacement	4
	40-127	Truarc Plier	1

Installation tools and kits

Part number	Description	
40-158	Mortise pocket filler (edge)	
40-160	Mortise lock jig Includes 1 each: Case, jig, long boring shaft, 7/8" wood cutter bit, 1" wood cutter bit, 1 1/4" wood cutter bit, instruction booklet	
40-227	L Series installation templates	
40-286	Universal clamp	
47278471	L9000 HSLR installation template	

Part Number	Description
40-161	5/8" Wood cutter bit
40-162	11/16" Wood cutter bit
40-163	3/4" Wood cutter bit
40-164	13/16" Wood cutter bit
40-165	7/8" Wood cutter bit

Part Number	Description
40-166	15/16" Wood cutter bit
40-167	1" Wood cutter bit
40-168	1 1/16" Wood cutter bit
40-169	1 1/4" Wood cutter bit
40-170	Long boring shaft (for locks up to 6")

Door and lock monitoring

Request-to-exit

A microswitch inside the lock case detects rotation of the inside knob/lever. The switch then signals the use of the opening to the security system. The RX is a removable module located on the bottom edge of the lock chassis. The module must be properly positioned to detect inside knob/lever rotation. If not properly positioned, the lock and/or microswitch may be damaged. Electrical rating: 3 A, 125 V AC; 2 A, 30 V DC.

Order RX switch assembly by **L283-452**.

Note: RX is not applicable for LM929X Series locks.

Deadbolt monitoring

Deadbolt Monitor (DM) identifies the status of the deadbolt (extended or retracted). Normally open, normally closed, and common connections are provided. Electrical rating: 3 A, 125 V AC; 2 A, 30 V DC.

Latchbolt monitoring

Latchbolt Monitor (LX) identifies the status of the latchbolt (extended or retracted). Normally open, normally closed, and common connections are provided. Electrical rating: 3 A, 125 V AC; 2 A, 30 V DC.

Door position switch

Door Position Sensor (DPS) detects the position of the door, open or closed, by utilizing a sensor in the mortise lock to detect a magnet located in the door strike. Normally open, normally closed, and common connections are provided. Maximum voltage 175 VDC, max current 0.250 A.

Available mechanical and electrified functions

Request-to-exit (RX)		Deadbolt monitoring (DM)		Latchbolt monitoring (LX)		Door position switch (DPS)	
Mechanical	Electrified	Mechanical	Electrified	Mechanical	Electrified	Mechanical	Electrified
L/LV9010	L/LV9090	L9453	L9492	L9010	L9090	L9010	L9090
L/LV9050	L/LV9091	L9456	L9493	L9050	L9091	L9080	L9091
L/LV9056	L/LV9092	L9457	L9494	L905 6	L9092	L9082	L9092
L/LV9070	L/LV9093	L9458	L9495	L9070	L9093		L9093
L/LV9071	L/LV9094	L9480		L9071	L9094		L9094
L/LV9080	L/LV9095	L9485		L9080	L9095		L9095
L/LV9081	L/LV9492	L9486		L9081	L9492		
L/LV9453	L/LV9493	L9496		L9082	L9493		
L/LV9456	L/LV9494			L9453	L9494		
L/LV9458	L/LV9495			L9456	L9495		
L/LV9465				L9465			
L/LV9466				L9466			
L/LV9480				L9480			
L/LV9485				L9485			

Electrified locks

Electrified locks

All electrified locks feature automatic detection and operation with 12V or 24V DC, and a case-mounted switch allowing customer selection of EL (fail safe) or EU (fail secure) operation. Specify lock function as EL or EU for default switch position. Locks are furnished with Allegion Connect moxex connector with 3-inch lead. Allegion Connect system allows rapid installation of locks when used with Allegion Connect harnesses and hinges. The moxex connector can be cut off to allow for installation by splicing.

L/LM Series EL, electrically locked (fail safe)

Outside knob/lever or both outside and inside knobs/levers (depending on function) will lock when power is applied. In the event of power failure, the opening will be unlocked.

L/LM Series EU, electrically unlocked (fail secure)

Outside knob/lever or both outside and inside knobs/levers (depending on function) will unlock when power is applied. In the event of power failure, the opening will be locked.

Cylinders

Specify locks with the required cylinder code, e.g. L9090PEL (code P) for classic and full size Everest cylinders. For a complete list of order codes, see "Ordering procedures" on page 193.

Electrical requirements

The L909X, L949X and LM929X Series electrified locks are powered by DC power only. **Do not use AC power.**

Voltage: 12 or 24V DC (max. 26.4V, min. 10.8V)

Peak current: 0.4 amps

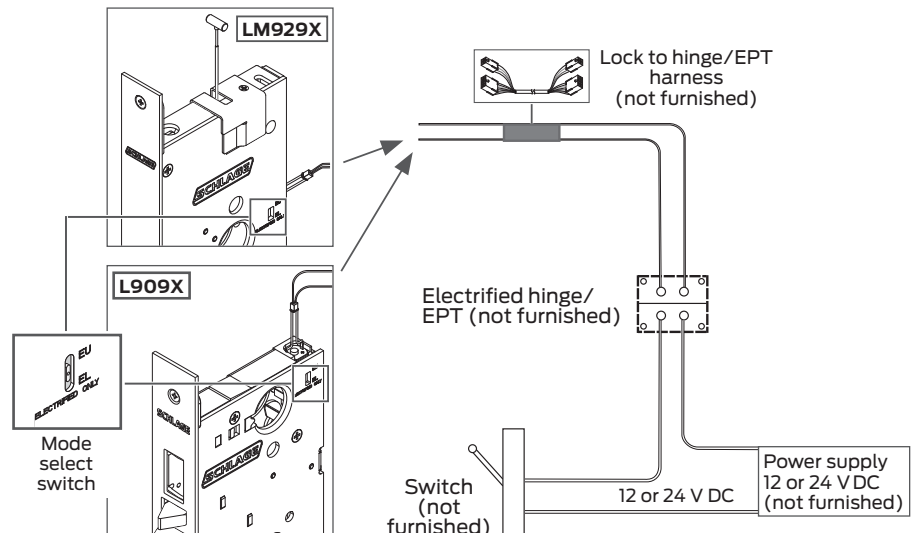
Holding current: 0.010 amps

Operating temperature: 32°F to 120°F (0°C to 49°C)

Maximum relative humidity: 93%

Typical installation

All installations should be in accordance with local electrical codes and National Electrical Code NFPA 70. Damage to locks may occur if connected to a supply circuit that also contains electromagnetic devices. The transient voltage must be suppressed at the equipment producing it before connecting the locks to a circuit.



For full descriptions of electrified lock functionality, see the index section beginning on page 19.

LM9200 Series two point lock

The Schlage LM9200 Series is a two-point latch solution for pairs of doors where both leaves are active. The LM9200 utilizes concealed vertical cables for simple installation and maintenance. The LM9200 is compatible with sectional (rose) trim and escutcheon trim, and offers 13 functions (mechanical and electrical).

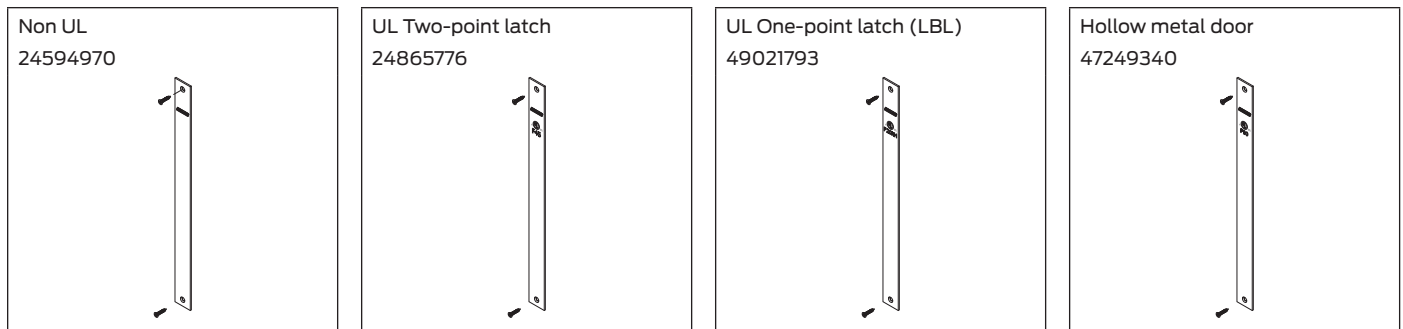
Automatically deadlatching top and bottom latches, and a top latch with greater than 90 degree strike engagement, work together to ensure the opening is robust and secure. The LM9200 Series is also available without the bottom latch (LBL) for top latch only applications.

Indicator N escutcheon trim is available on inside LM9250, LM9256, and LM9271 functions, or on outside LM9250, LM9256, LM9270, and LM9271 functions. The indicator option is available either inside or outside of door. Indicator trims require additional door preparation. See Schlage Commercial Price Book for available finishes.

All lever designs suite with the L mortise lock, LT tubular lock, and Von Duprin® exit devices. The lock is compatible with non-fire rated doors from 6'8" to 10'0" (203 –305 cm) and fire rated doors from 6'8" to 8'0" (203 –244 cm).

Fire rated wood doors 60 minute rating with two-point latch or 20 minute rating with top latch only. Fire rated hollow metal doors, 6'8" to 8'0" (203 –244 cm), two-point latch, top latch only, or double egress with astragal, 90 minute rating.

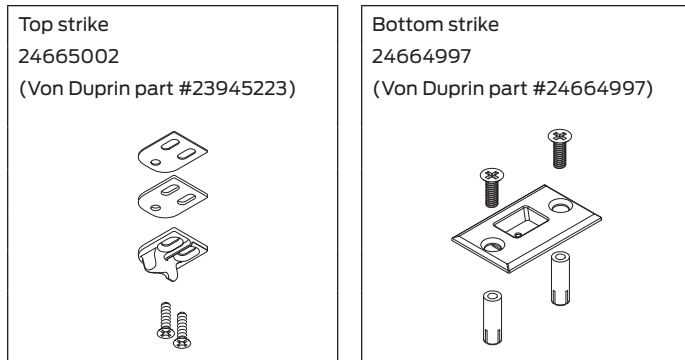
Armor fronts



Note: UL armor fronts are available only when ordered with the lock. Not sold separately.

Strike kits

Strike kits include strike assembly, shims and screwpack.



Cables

Specify top cable length.

Part Number	Description
24647265	Bottom cable
24691750	Top cable, 6' 8" –7' 0" doors (203 –213 cm)
24691768	Top cable, 7' 1" –8' 0" doors (216 –244 cm)
24691776	Top cable, 8' 1" –9' 0" doors (246 –274 cm)
24691784	Top cable, 9' 1" –10' 0" doors (277 –305 cm)

Fire rated components

Part Number	Description
24750408	Fire barrier
24756504	Intumescent for fire barrier
24792558	Intumescent for armor front
48968887	Fire pin kit –includes fire pin, fire pin sleeve, fire pin strike, and screws

LM9300 Series multipoint lock

The LM9300 three-point locking chassis is a component in the Schlage Multipoint Lock product. The Multipoint Lock is an integrated assembly which includes the LM9300 three point locking chassis, a specialized Steelcraft door with a concealed vertical rod assembly, and a specialized Steelcraft frame. The LM9300 chassis interfaces with the concealed vertical rod assembly and provides control of all three latches.

The Multipoint lock is a solution-specific product, with tornado-shelter and high-security options available. When paired with the appropriate Steelcraft Paladin door the product meets the ICC500 standard, and FEMA 320/361 guidelines for protection in tornadoes. Alternately, the product can be used in high-security applications (non-tornado) when paired with a Steelcraft L or B door.

The LM9300 series chassis is a direct replacement for the LM9000 series. However, the latches (sold separately when ordered as replacement parts) are different between the two series. Please note the original installation and order only the appropriate replacement top/bottom latch components.

Multipoint is available with the following functions: Passage (LM9310), Exit (LM9325), Office/Entry (LM/LMV9350), Classroom (LM/LMV9370), Classroom Security (LM/LMV9371), and Storeroom (LM/LMV9380).

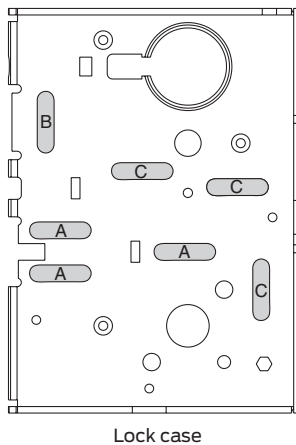
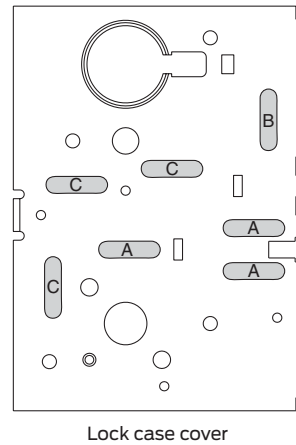
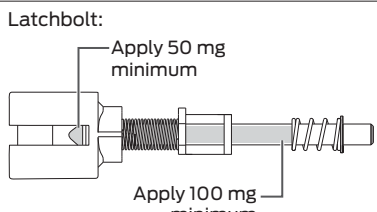
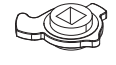
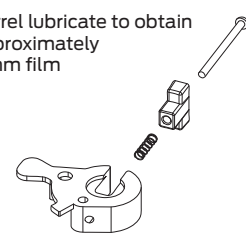

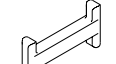

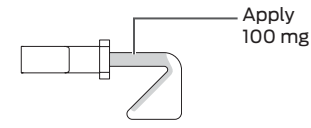
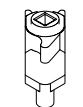
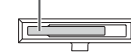
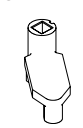
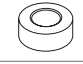

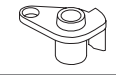
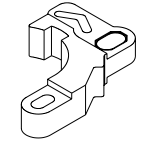
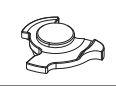

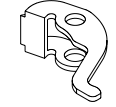
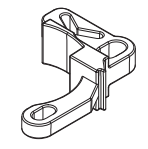
Multipoint lock top/bottom latch components

LM9000 parts	Description	Package contents
900264-XX	LM9000 aux package (specify finish)	304L bottom strike, 114141, top soffit latch package, screws, 900262-XX, ratchet release, screws
114313-XX	LM9000 rodset	LM9000 rodset and latches for 6' 8" - 8' 0" doors

LM9300 parts	Description	Package contents
24353625	LM9300 strike package	Top and bottom strikes, floor anchors, screws
24358830	LM9300 rodset 6' 8" - 8' 0" doors	LM9300 rodset and latches for 6' 8" - 8' 0" doors, 39 ¹ / ₁₆ " centerline
24457715	LM9300 rodset 4' 0" - 5' 11" doors	LM9300 rodset and latches for 4' 0" - 5' 11" doors, 26" centerline
24457723	LM9300 rodset 3' 1" - 3' 11" doors	LM9300 rodset and latches for 3' 1" - 3' 11" doors, 15" centerline

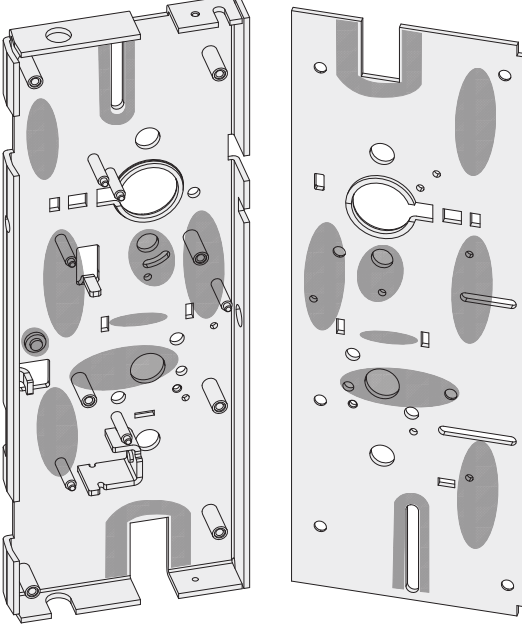
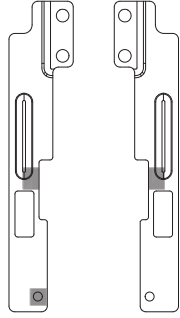
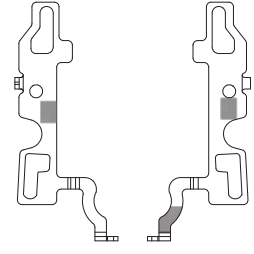
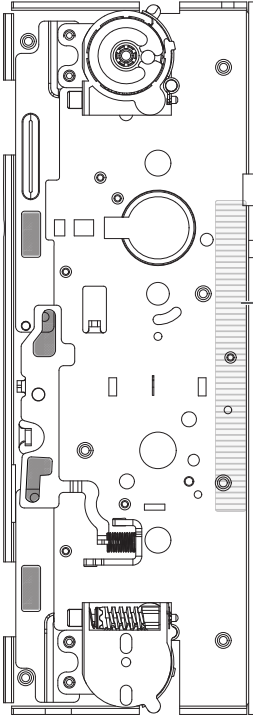
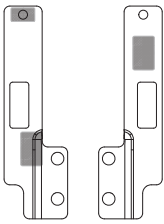
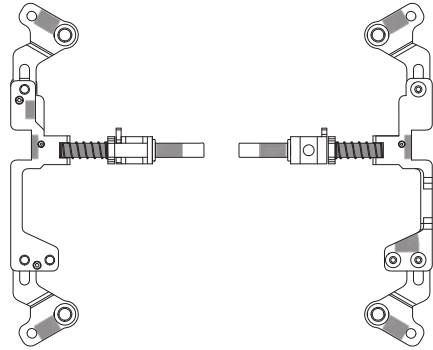
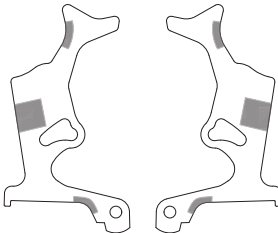
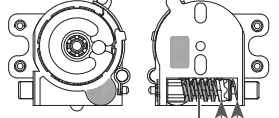
Lubrication specifications

L/LV9000, LM9300 Series

Lock Function	Lock case lubrication areas	Subassembly and component lubrication
L9010, L9025, L9026, LM9310, LM9325, L9080, LV9080, L9082, LV9082	A	<p>Lock case and case cover: Apply 150 mg minimum at each applicable area.</p>  <p>Lock case</p>  <p>Lock case cover</p>
L460, L462, L463, L480, L496, L9460, L9462, L9463, L9464	B	<p>Latchbolt: Apply 50 mg minimum</p>  <p>Apply 100 mg minimum</p>
L9465, L9466, L9473	A, B	<p>Components shown below must be barrel lubricated to obtain approximately 3 mm film</p> <p>L583-748</p> 
L9040, LV9040, L9050, LV9050, LM9350, LMV9350, L9060, LV9060, L9066 (XL11-897), L9070, LV9070, L9071, LV9071, LM9371, LMV9371, L9076, LV9076, L9077, LV9077, L9080, LV9080, LM9380, LMV9380, L9081, LV9081, L9090EL/EU, L9091EL/EU, L9092EL/EU, L9492EL/EU, L9093EL/EU, L9493EL/EU, L9094EL/EU, L9494EL/EU, L9095EL/EU, L9495EL/EU	A, C	<p>Lever retractor assembly: Barrel lubricate to obtain approximately 3 mm film</p> 
		<p>L583-020</p> 
		<p>L583-024</p> 
		<p>L583-025</p> 
		<p>Auxiliary latchbolt: Apply 100 mg</p> 
		<p>L583-029</p> 
		<p>Holdback dog (L/LV9076, L/LV9077 only) bottom view: Apply 150 mg</p> 
		<p>L583-030</p> 
L9440, LV9440, L9444, LV9444, L9453, LV9453, L9456, LV9456, L9457, LV9457, L9458, LV9458, L9482 (XL11-543), L9485, LV9485, L9486, LV9486, LV9496, LV9496	A, B, C	<p>Components shown below must be barrel lubricated to obtain approximately 3 mm film</p> <p>L583-346</p> 
		<p>L583-031</p> 
		<p>L583-383</p> 
		<p>L583-045</p> 
		<p>L583-765</p> 
		<p>L583-767</p> 
		<p>L583-051</p> 
		<p>L583-769</p> 

Lubrication specifications

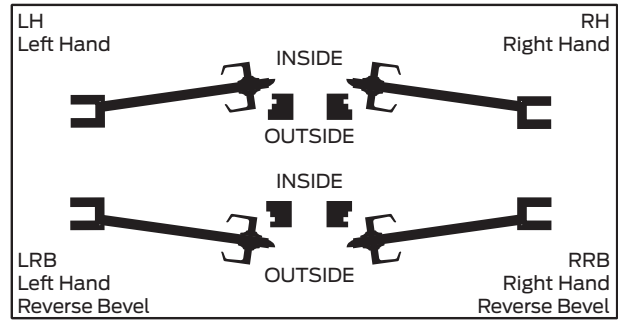
LM9200 Series

Lock case lubrication areas	Subassembly and component lubrication	
<p>Lock case and case cover: Apply lubrication at shaded areas.</p> 	<p>Top link: Apply lubricant at shaded areas indicated.</p> 	<p>Tilting link: Apply lubricant at shaded areas indicated.</p> 
<p>After assembly of top link, bottom link and tilting link in the lock case, brush lubricant to fill slots as shown.</p>  <p>Electrified locks only: DO NOT lubricate this area.</p>	<p>Bottom link: Apply lubricant at shaded areas indicated.</p> 	<p>Link subassembly: Apply lubricant at shaded areas indicated.</p> 
	<p>Retractor (LM9256 only): Apply lubricant at shaded areas indicated.</p> 	<p>Spool subassemblies: Apply lubricant at shaded areas indicated.</p> <p>Apply lubricant to lobes as specified.</p>  <p>Lubricate lobes. Use 5/32" hex key to rotate part 180°. Then, lubricate the opposite side.</p> <p>DO NOT lubricate this area.</p>

Door handing

The hand of a door refers to the position of the lock relative to the side and direction of the door hinge.

There are four possible 'handings' based on whether the hinge is on the right or left side of the door and whether it swings to the inside or outside (see diagram).



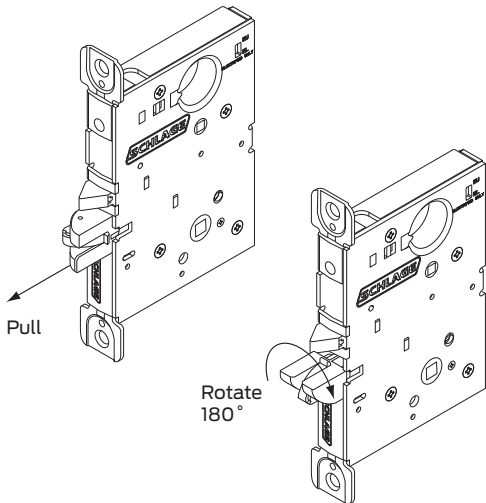
Changing the lock hand

To change the hand of any L Series lock:

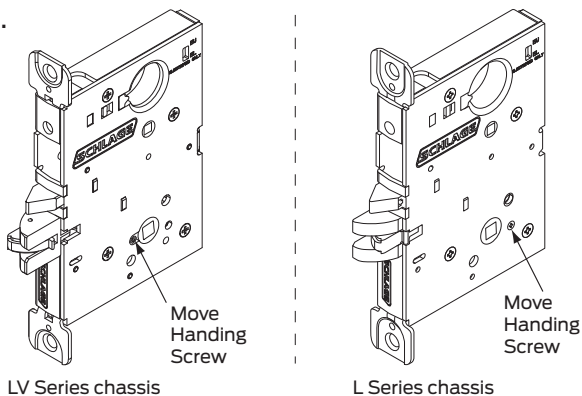
1. With the lock case removed from the door, pull the latchbolt away from the lockcase and rotate 180°.
2. Remove the lock handing screw from one side of the chassis and install it on the opposite side. The lock handing screw should always be on the interior side of the door.

Note: Handing screw location differs between the L Series and LV Series.

1.



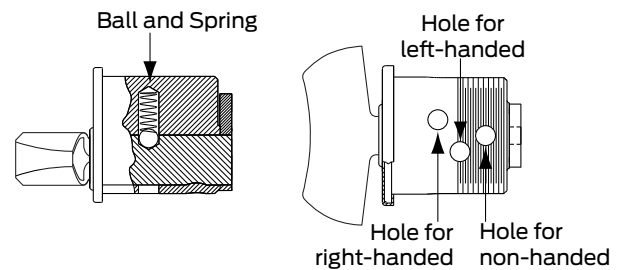
2.



Changing cylinder turn hand

For 09-900 cylinder turn:

1. Remove cam.
2. Move ball and spring to appropriate hole.



Ordering procedures

To order Schlage products, descriptive data should be in the same sequence as shown:

Line Item	Qty	Product	Outside		Inside		Hand	Latch	Strike	DR THK	EXT	DIM	Additional Details
			DES	FIN	DES	FIN							
1	2	3	4	5	6	7	8	9	10	11	12	13	14

- Line Item: Line item number
- Qty: Quantity
- Product: Complete lock product or part number
- Outside DES: Outside design code
- Outside FIN: Outside finish code
- Inside DES: Inside design code: Leave blank if same as outside design code.
- Inside FIN: Inside finish code: Leave blank if same as outside finish code.
- Hand: Hand of door: Only one hand allowed per line item. Example: RH=Right Hand, LH=Left Hand, RR=Right Reverse, LR=Left Reverse
- Latch: Latch: Leave blank for standard or specify part number if non-standard latch is required. LLL=Less Latch.
- Strike: Strike: Leave blank for standard or specify part number if non-standard strike is required. LLL=Less Strike.
- DR THK: Door thickness: Enter door thickness if non-standard. Example: 138=1³/₈", 214=2¹/₄", 212=2¹/₂".
- EXT: Extension: Enter one of the following when doors 2" thick or greater are specified: EE=Extended Equally, EI=Extended Inside, EO=Extended Outside, ED=Extended Differently. EI or EO assumes the latch will be centered on a 1³/₄" door, to which material has been added.
- DIM: Dimension: Enter dimension for non-standard strike lip length and mortise cylinder or blocking ring length.

012 = 1/8"	037 = 3/8"	118 = 1/8"	158 = 1 5/8"
018 = 3/16"	050 = 1/2"	114 = 1/4"	134 = 1 3/4"
025 = 1/4"	078 = 7/8"	138 = 1 3/8"	200 = 2"
031 = 5/16"	100 = 1"	112 = 1 1/2"	400 = 4"

- Additional Details: Enter detail for keying information and for special requirements.
- Examples:

Line Item	Qty	Product	Outside		Inside		Hand	Latch	Strike	DR THK	EXT	DIM	Additional Details
			DES	FIN	DES	FIN							
One mortise cylinder, 1 1/4" long, which will operate a Von Duprin exit device.													
17	1	20-001		626								114	

One hotel function L Series lock with 17B trim in 625 for left hand door.													
18	1	L9485P	17B	625			LH					114	

Five replacement inside L escutcheons with large ADA thumbturn, in satin stainless steel, to be used with 06 lever on 1 3/4" doors.													
19	5	09-633			06L	630				134			with large ADA turn per L583-363

Finishes

Schlage Lock products are available in a range of durable, top quality finishes. Most are available with a clear coating that protects against damaging environmental factors, including sea air, high humidity, or corrosive vapors.

The anti-microbial coating on Schlage lock hardware works to protect the hardware's surface by inhibiting the growth of bacteria, mold and mildew. The coating is made using ionic silver (AG+), a single atom that is missing one orbital electron that interacts with the bonding sites on the microbe surface. The result is that silver ions surround bacterial cells, blocking food and respiration supply, and slowing bacterial growth.

Cleaning and care varies by finish. Clear-coated or oil rubbed finishes can be cleaned periodically with a mild non-abrasive soap and buffed lightly with a clean cloth. Non-clear coated finishes should not be cleaned with soaps or solvents. They require cleaning with a clean, soft, damp cloth.

Finishes are coded according to the Builders Hardware Manufacturers Association (BHMA). The nearest old U.S. equivalent code designations are shown in parentheses.

Finish Codes and Descriptions

Code		Description
605	(US 3)	Bright brass, clear coated
606	(US 4)	Satin brass, clear coated
609	(US 5)	Antique brass, clear coated
612	(US 10)	Satin bronze, clear coated
613	(US 10B)	Oil rubbed bronze, no coating
619	(US 15)	Satin nickel, clear coated
622	(US 19)	Matte black

Code		Description
625	(US 26)	Bright chromium plated, no coating
626	(US 26D)	Satin chromium plated, no coating
626AM		Satin chromium plated, anti-microbial coating
629	(US 32)	Bright stainless steel, no coating
630	(US 32D)	Satin stainless steel, no coating
630AM		Satin stainless steel, anti-microbial coating
643e	(US 11)	Aged bronze

For finish availability refer to Schlage Commercial Price Book.

Installation instructions and door templates

Instruction sheets and door templates can be downloaded from the Allegion website document library at us.allegion.com.

Limited warranty

Commercial application

3-Year Limited Warranty

Schlage Lock Company (the "Company") extends a three-year limited warranty from the original date of purchase to the Original User of the products manufactured by the Company (the "Product") against defects in material and workmanship. Certain Products contain restrictions to this limited warranty, additional warranties or different warranty periods. Please see below for specific Product warranty information.

The provisions of this warranty do not apply to Products:

(i) used for purposes for which they are not designed or intended; (ii) which have been subjected to alteration, abuse, misuse, negligence or accident; (iii) which have been improperly stored, installed, maintained or operated; (iv) which have been used in violation of written instructions provided by Schlage; (v) which have been subjected to improper temperature, humidity or other environmental conditions (i.e., corrosion); or (vi) which, based on Schlage's examination, do not disclose to Schlage's satisfaction non-conformance to the warranty. Additionally, Schlage will not warrant ANSI A 156.2 Grade 2 lever Product installed in educational and student housing.

Specific product warranty restrictions/additional warranties

Small Format Interchangeable Core (SFIC) warranty:

This limited warranty also applies to Schlage locks and housings when used with another manufacturer's cores, or to Schlage cores (i.e., SFIC) when used in another manufacturer's locks and housings. The use of unauthorized cylinder cams or other components with the Products shall void this warranty.

Everest®, Primus® limited lifetime key breakage

warranty: A limited lifetime warranty is provided to the Original User against key breakage, subject to the restrictions of this limited warranty.

About Allegion

Allegion (NYSE: ALLE) creates peace of mind by pioneering safety and security. As a \$2 billion provider of security solutions for homes and businesses, Allegion employs more than 7,800 people and sells products in more than 120 countries across the world. Allegion comprises 23 global brands, including strategic brands CISA®, Interflex®, LCN®, Schlage® and Von Duprin®.

For more, visit www.allegion.com.

aptiQ ■ LCN ■ **SCHLAGE** ■ STEELCRAFT ■ VON DUPRIN