



## SL1/SK1 Series

Ligature resistant trim for low-medium risk applications



### Overview

Hospitals, behavioral health facilities and detention centers are at high-risk for sentinel suicide events, even when regular monitoring checks are in place. Statistics from 2010-2017 show that over 70 percent of suicide attempts during hospital inpatient treatment utilized a ligature or strangulation point and almost 54 percent of those used a door or door hardware<sup>1</sup>. To mitigate suicide risk more effectively facilities are making an effort to create spaces to keep patients safe from self harm.

Schlage offers a comprehensive portfolio of door hardware that reduces the risk of injury or death due to ligature strangulation in all areas, but the SL1 and SK1 are recommended for low-medium risk applications.

The SL1/SK1 ligature resistant trim is available for the Schlage L Series mortise lock.

#### Recommended applications<sup>2</sup>

##### Medium-risk areas

- Living room
- Dining room
- Group room
- Kitchen
- Janitor's closet
- Hallway restroom

Patient access is controlled; or use is supervised with no solitary and/or unsupervised care.

##### Low-risk areas

- Medication room
- Nurse station
- Office
- Laundry room
- Staff restroom
- Classroom

No patient use or area is constantly supervised.

### Features and benefits

- Multiple safety facets:
  - Recessed trim
  - Sloped surfaces
  - Concealed fastening hardware
- Integrated clutch that allows the lever to rotate in event of excessive force
- Knob's quad design allows grip with entire hand or just fingertips
- Lever and thumbturn are ADA compliant
- Available with new lock or as retrofit
- BAA compliant
- Ligature resistant thumbturn and cylinder ring included as appropriate with function
- Ligature resistant thumbturn positive stop prevents over extension and presentation of horizontal surface (hazard)
- Ligature resistant cylinder ring specially designed for each cylinder type

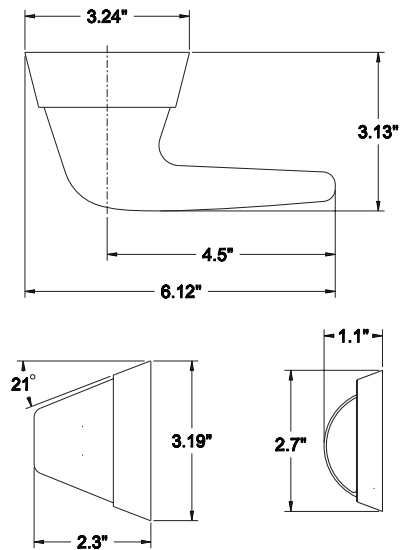
Note: Although designed to reduce the risk of injury or death due to ligature strangulation, these products are ligature resistant, but are not necessarily ligature proof.

1. The Joint Commission. Journal on Quality and Patient Safety; 2018; 44:643-650, Incidence and Method of Suicide in Hospitals in the United States.

2. New York State Office of Mental Health. Patient Safety Standards, Materials and Systems Guidelines: August 15, 2018.

## Specifications

L Series SL1/SK1 mortise	
Functions	See price book for available functions
Door thickness	1 3/4" only
Handing	Not handed
Finishes	630, 630AM
Backset	2 3/4" only
Strike	Deadbolt functions: ANSI curved lip strike Non-deadbolt functions: ligature resistant strike 1 1/4" x 4 7/8" (32mm x 124mm) x 1 3/16" (30mm) lip to center with dust box
Cylinders and key systems	Standard: 6-pin, solid brass, keyed 6-pin with two nickel silver cut keys per lock Additional cylinder and keying options available. See price book or L Series catalog.
Warranty	3 year limited mechanical 1 year limited wired electrified
ANSI/BHMA	ANSI/BHMA A156.13-2017 Series 1000, Grade 1 Operational and Security With FSIC cylinders: Grade 2 Security With SFIC cylinders: Grade 3 Security ASTM F476-76 Grade 40
ICC	Complies with ICC A117.1 Accessible and Usable Buildings and Facilities
UL/cUL	UL 10C and CAN/ULC-S104 3-hour Fire Listed (except L9076 and L9077)



## Ordering instructions

### SL1/SK1 Series example

Product	Trim	Finish	Handing
L9080P or ND50PD	SL1	630	-

### Lock specifications

Product	Product series + function + cylinder		
Trim	SL1 or SK1		
Finish	630 Satin stainless steel	630AM Satin stainless steel antimicrobial	
Handing	Not required		

## Finishes



630/630AM\*  
Satin stainless steel

\* AM - Antimicrobial

## Other Allegion ligature resistant solutions

### Schlage HSLR trim

- For high risk applications
- Mortise or cylindrical

### Ives® hospital tip door hinges

- Ligature resistant sloped tip
- Available on architectural hinges and pin and barrel continuous hinges

### Zero International ligature resistant gasketing

- Patented design allows normal function, but will break into pieces if removed for any reasons

## About Allegion

Allegion (NYSE: ALLE) is a global pioneer in safety and security, with leading brands like CISA®, Interflex®, LCN®, Schlage®, SimonsVoss® and Von Duprin®. Focusing on security around the door and adjacent areas, Allegion produces a range of solutions for homes, businesses, schools and other institutions. Allegion is a \$2 billion company, with products sold in almost 130 countries. For more, visit [www.allegion.com](http://www.allegion.com).

KRYPTONITE ■ LCN ■  ■ STEELCRAFT ■ VON DUPRIN



© 2019 Allegion  
013103, Rev. 04/19  
[www.allegion.com/us](http://www.allegion.com/us)