



TownSteel
PERFECTION IN PROTECTION



9700 & 8900 & 3700

EXIT DEVICES

PRODUCT CATALOG

Contents

1	9700 Series Exit Devices
2	ED9700 / EF9700—Rim Exit Device
3	ED9727 / EF9727—Surface Vertical Rod Exit Device
4	ED9727LBR / EF9727LBR —Less Bottom Rod Exit Device
5	ED9747 / EF9747 —Concealed Vertical Rod Exit Device
6	ED9775 / EF9775 —Mortise Exit Device
7	ED9757 / EF9757 —3-point Exit Device
8	3700 Series Narrow Stile Exit Devices
9	ED3700 / EF3700 —Narrow Stile Rim Exit Device
10	ED3727 / EF3727 —Narrow Stile Surface Vertical Rod Exit Device
11	ED3727LBR / EF3727LBR —Narrow Stile Less Bottom Rod Exit Device
12	ED3747/ EF3747 —Narrow Stile Concealed Vertical Rod Exit Device
13	ED3775 / EF3775 —Narrow Stile Mortise Exit Device
14	8900 Series Exit Devices
15	ED8900 / EF8900 —Rim Exit Device
16	ED8927 / EF8927 —Surface Vertical Rod Exit Device
17	ED8927LBR / EF8927LBR —Less Bottom Rod Exit Device
18	ED8947/ EF8947 —Concealed Vertical Rod Exit Device
19	ED8975 / EF8975 —Mortise Exit Device
20	Motorized Exit Device Trim
21	How to order Kestros trim
22	Kestros trim functions
24	Electronic Locks - 2000 Series
25	Electronic Locks - 5000 Series BLE
26	Electronic Locks - 5000 Series Wi-Fi
27	TownSteel Maxx Access System
28	How to order trim
29	Trim Selection
35	Strikes
38	Accessories
40	Door Applications

EF 37 27 3684 630 CD3 LBR
Rating

 ED Panic exit hardware
 EF Fire exit hardware

Device model

 37 3700 series Narrow stile
 89 8900 series
 97 9700 series

Device type

 00 Rim
 27 Surface vertical rod
 47 Concealed vertical rod
 57 3 point device (For 9700 series only)
 75 Mortise

Device size

 36 36" (914mm)
 48 48" (1219mm)
 consult factory for others

Door height

 blank For Rim and Mortise
 84 84" (2134mm) (for SVR, CVR, 3PT and LBR)
 96 96" (2438mm) (for SVR, CVR, 3PT and LBR)

Finish

 630 Satin stainless steel finish
 consult factory for others

Options

Blank	For regular device		
DE	Delayed egress	E	Electric mortise lock
LX	Latch bolt monitoring	CD3	3700 Series cylinder kit
LRX	Latch bolt+RQE monitoring	CD8	8900 Series cylinder kit
RX	RQE monitoring	CD9	9700 Series cylinder kit
2RX	Double RQE monitoring	AK3	3700 Series alarm kit
ELR	Electric latch retraction	AK8	8900 Series alarm kit
SS	Signal switch	AK9	9700 Series alarm kit

Less bottom rod option

 Blank For regular device
 LBR Less bottom rod SVR device

Strikes and Shim Kits

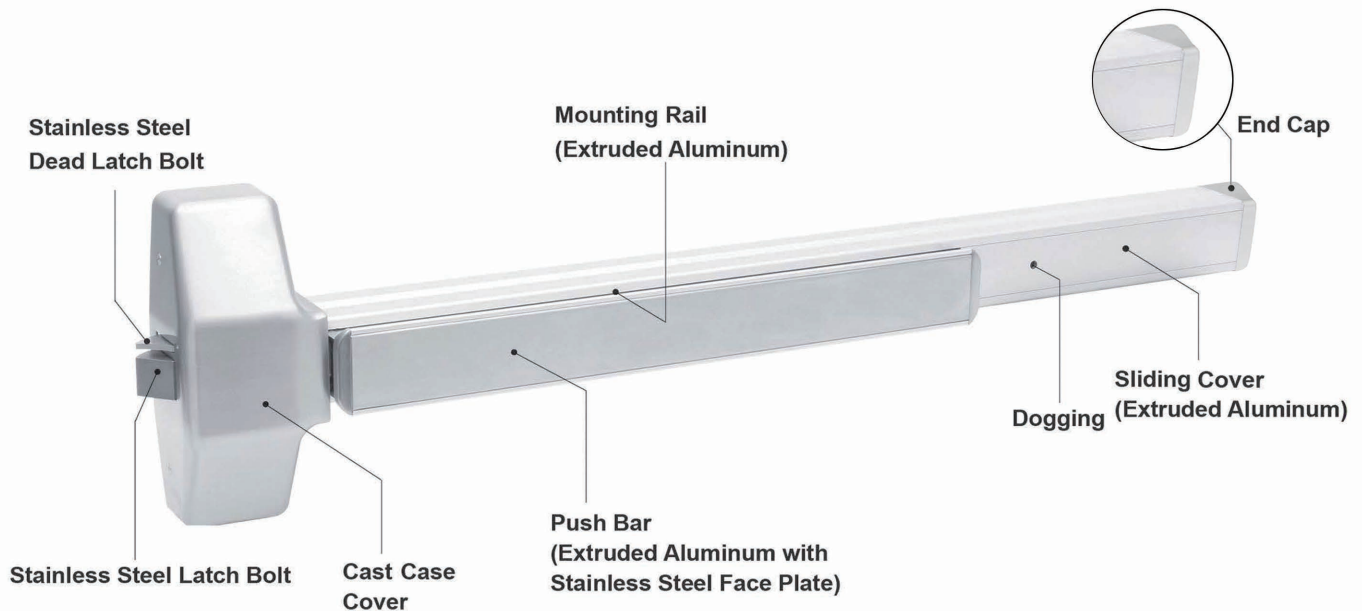
STK 600 (standard)	8900 Series Rim device
STK 900 (standard)	9700 & 3700 Series Rim/3PT device
STK 701 (optional)	8900 Series Rim device
O-STK 710 (optional)	8900, 3700, 9700 Series Rim device
T-STK 720 (standard)	SVR & 3PT
T-STK 720C (standard)	CVR
B-STK 730 (standard)	SVR & 3PT
B-STK 730C (standard)	CVR
B-STK 731 (optional)	SVR
B-STK 732 (optional)	SVR and CVR
B-STK 733 (optional)	SVR and CVR
SK 750-950 (standard)	Shim Kit for STK 600/900
SK-751 (optional)	Shim Kit for STK 701
SK-952 (standard)	Shim Kit for O-STK 710

Accessories

FP-760	Filler plate
FP-761	Filler plate
ETR-1	Extension rod 1'(305 mm)
ETR-1C	Extension rod 1'(for CVR)(305 mm)
ETR-2	Extension rod 2'(610 mm)
ETR-2C	Extension rod 2'(for CVR)(610 mm)
SNB-1	Sex nuts & bolts 1 1/4"-2" door(32-50.8 mm)
SNB-2	Sex nuts & bolts 2"-2 1/4" door(50.8-57 mm)
GSK-6R	Glass shim kit (8900 Series Rim)
GSK-3R	Glass shim kit (9700 Series Rim)
GSK-6V	Glass shim kit (8900 Series SVR, LBR, 3PT)
GSK-3V	Glass shim kit (9700 Series SVR, LBR, 3PT)
FL01-SS	Auxiliary Fire Latch bolt (LBR)
DK	Dogging Key

9700 Series Exit Devices

General Information

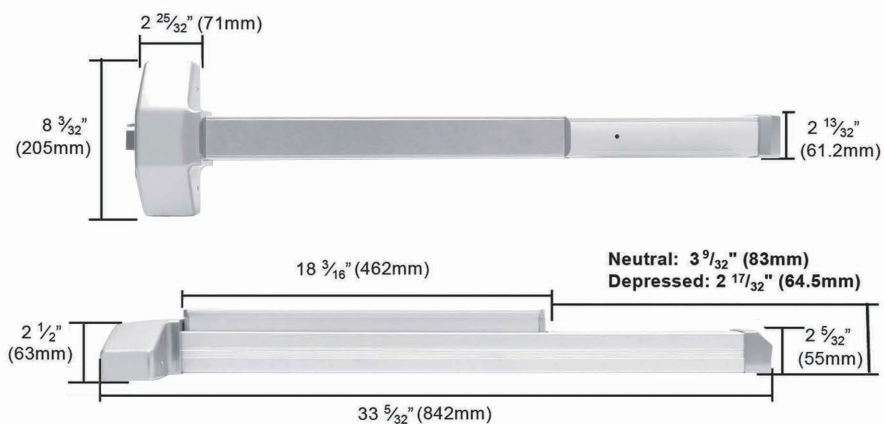


Features

- All devices are non-handed or reversible design.
- UL Listed for Fire Exit hardware, 3 hours.
- High shock-resistant latching mechanical design for vandalism protection.
- "A" Label (3 hr) rating on pairs of doors up to 8' x 8' for same or double egress.
- All internal components are made of electro-plated corrosion-resistant alloy.

Dimensions

Standard for Door Width 36"



For Door Width	Device Size
28" (711 mm)	Please Consult Factory
48" (1219 mm)	48" (1219 mm) available

ED9700 / EF9700

—Rim Exit Device

RIM



Specifications

Handing	Non-handed
Finishes	630 standard (Consult factory for others)
Strikes	900 Rigid Strike standard
Alarm	Available with AK9
Latch bolt	Stainless Steel, 3/4" (19mm) throw
Dead Latch bolt	Stainless Steel
Dogging Feature	1/2 turn hex dogging standard For non-fire rated devices
Cylinder Dogging	Available with CD9
Door Size	36" (914mm) standard, 48" (1219mm) available (Consult factory for others)
Minimum Stile Width	4 3/4" (120mm)
Door Thickness	1 3/4" - 2" (45-50.8mm) standard (Consult factory for others)
Projection	Push bar Neutral 3 9/32" (83mm) Push bar Depressed 2 17/32" (64.5mm)
Mounting Height	41" (104.1cm) from CL to finished floor
UL	Certified UL 305 & UL10C fire rated, 3 hours
Shim Kit	950 Shim kit standard

ED9727 / EF9727

—Surface Vertical Rod Exit Device

SVR

Top Strike
720



Specifications



Bottom Strike
730

Handing	Field Reversible
Finishes	630 standard (Consult factory for others)
Strikes	720 Top Strike standard 730 Bottom Strike standard
Alarm	Available with AK9
Latch bolt	Stainless Steel Top latch 3/4" (19mm) throw Bottom latch 1/2" (12.7mm) throw
Dead Latch bolt	None
Dogging Feature	1/2 turn hex key dogging standard For non-fire rated devices
Cylinder Dogging	Available with CD9
Door Size	36" (914mm) standard, 48" (1219mm) available (Consult factory for others)
Minimum Stile Width	4 3/4" (120mm)
Door Thickness	1 3/4" - 2" (45-50.8mm) standard (Consult factory for others)
Projection	Push bar Neutral 3 9/32" (83mm) Push bar Depressed 2 17/32" (64.5mm)
Mounting Height	41" (104.1cm) from CL to finished floor
Fire Rated	Certified UL 305 & UL10C fire rated, 3 hours
Shim Kit	None



Dogging key
(for non-fire rated devices)

ED9727LBR / EF9727LBR

—Less Bottom Rod Exit Device



Top Strike
720

Specifications



Auxiliary Fire Latch Assembly

Handing	Field Reversible
Finishes	630 standard (Consult factory for others)
Strikes	720 Top Strike standard No Bottom Strike
Alarm	Available with AK9
Latch bolt	Stainless Steel Top latch 3/4" (19mm) throw
Dead Latch bolt	None
Dogging Feature	1/2 turn hex key dogging standard For non-fire rated devices
Cylinder Dogging	Available with CD9
Door Size	36" (914mm) standard, 48" (1219mm) available (Consult factory for others)
Minimum Stile Width	4 3/4" (120mm)
Door Thickness	1 3/4" - 2" (45-50.8mm) standard (Consult factory for others)
Projection	Push bar Neutral 3 9/32" (83mm) Push bar Depressed 2 17/32" (64.5mm)
Mounting Height	41" (104.1cm) from CL to finished floor
UL	Certified UL 305 & UL10C fire rated, 3 hours Fire latch only for fire-rated device
Shim Kit	None



Dogging key
(for non-fire rated devices)

ED9747 / EF9747

—Concealed Vertical Rod Exit Device

CVR

Top Strike
720C



Specifications



Bottom Strike
730C

Bottom Strike
733

Handing	Field Reversible
Finishes	630 standard (Consult factory for others)
Strikes	720C Top Strike standard 730C Bottom Strike standard or 733 Bottom Strike
Alarm	Available with AK9
Latch bolt	Stainless Steel Top latch 3/4" (19mm) throw Bottom latch 1/2" (12.7mm) throw



Dogging key
(for non-fire rated devices)

Dead Latch bolt	None
Dogging Feature	1/2 turn hex key dogging standard For non-fire rated devices
Cylinder Dogging	Available with CD9
Door Size	36" (914mm) standard, 48" (1219mm) available (Consult factory for others)
Minimum Stile Width	4 3/4" (120mm)
Door Thickness	1 3/4" - 2" (45-50.8mm) standard (Consult factory for others)
Projection	Push bar Neutral 3 9/32" (83mm) Push bar Depressed 2 17/32" (64.5mm)
Mounting Height	41" (104.1cm) from CL to finished floor
UL	Certified UL 305 & UL10C fire rated, 3 hours
Shim Kit	None

ED9775 / EF9775

—Mortise Exit Device

MTP



Specifications

Handing	Field Reversible
Finishes	630 standard (Consult factory for others)
Strikes	905 Mortise Strike standard
Alarm	Available with AK9
Latch bolt	Stainless Steel, 3/4" (19mm) throw
Dead Latch bolt	Stainless Steel
Dogging Feature	1/2 turn hex key dogging standard For non-fire rated devices
Cylinder Dogging	Available with CD9
Door Size	36" (914mm) standard, 48" (1219mm) available (Consult factory for others)
Minimum Stile Width	4 3/4" (120mm)
Door Thickness	1 3/4" - 2" (45-50.8mm) standard (Consult factory for others)
Projection	Push bar Neutral 3 9/32" (83mm) Push bar Depressed 2 17/32" (64.5mm)
Mounting Height	39 3/16" (99.5cm) from CL to finished floor
UL	Certified UL 305 & UL10C fire rated, 3 hours
Shim Kit	None

ED9757 / EF9757

—3-point Exit Device

3PT

Top Strike
720

Specifications

Handing	Field Reversible
Finishes	630 standard (Consult factory for others)
Strikes	900 Rigid Strike standard 720 Top Strike standard 730 Bottom Strike standard
Alarm	Available with AK9
Latch bolt	Stainless Steel, 3/4" (19mm) throw Top latch 3/4" (19mm) throw Bottom latch 1/2" (12.7mm) throw
Dead Latch bolt	None
Dogging Feature	1/2 turn hex key dogging standard For non-fire rated devices
Cylinder Dogging	Available with CD9
Door Size	36" (914mm) standard, 48" (1219mm) available (Consult factory for others)
Minimum Stile Width	4 3/4" (120mm)
Door Thickness	1 3/4" - 2" (45-50.8mm) standard (Consult factory for others)
Projection	Push bar Neutral 3 9/32" (83mm) Push bar Depressed 2 17/32" (64.5mm)
Mounting Height	41" (104.1cm) from CL to finished floor
UL	Certified UL 305 & UL10C fire rated, 3 hours
Shim Kit	950 Shim kit standard



Shim Kit
950



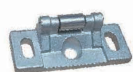
Strike
900



Dogging key
(for non-fire rated devices)

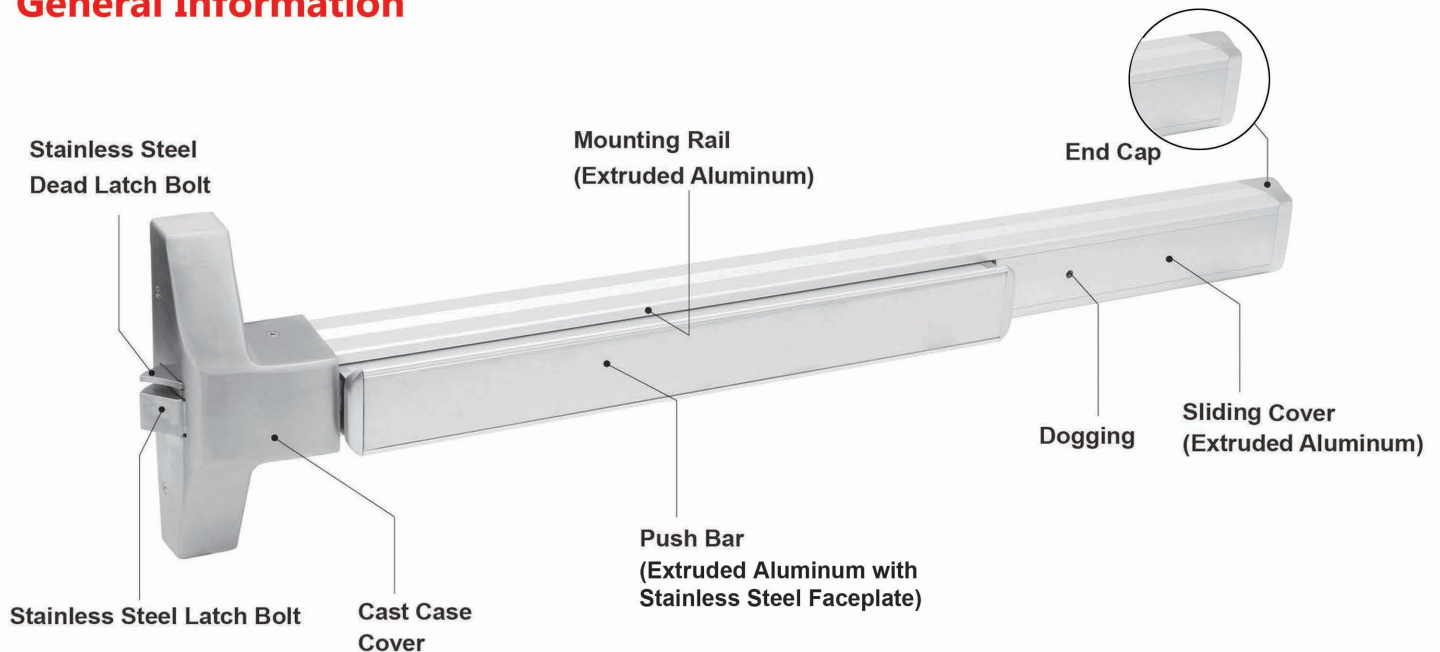


Bottom Strike
730



3700 Series Exit Devices

General Information

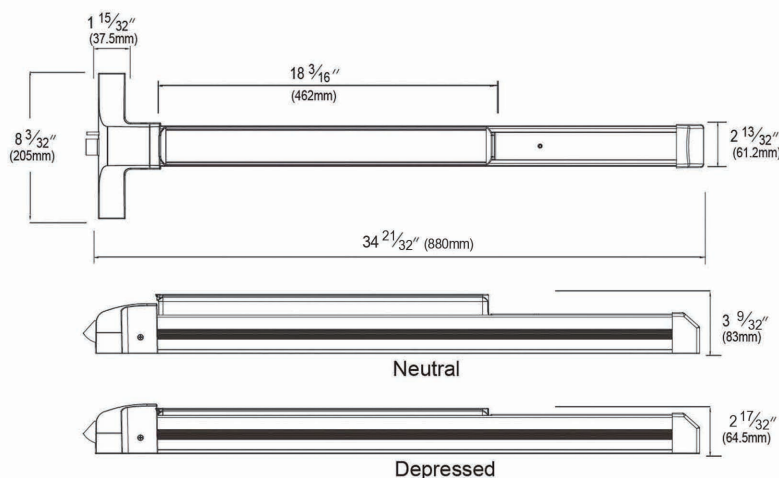


Features

- All devices are non-handed or reversible design.
- UL Listed for Fire Exit hardware, 3 hours.
- High shock-resistant latching mechanical design for vandalism protection.
- "A" Label (3 hr) rating on pairs of doors up to 8' x 8' for same or double egress.
- All internal components are made of electro-plated steel or corrosion-resistant alloy.

Dimensions

Standard for Door Width 36"



For Door Width	Device Size
28" (711 mm)	Please Consult Factory
48" (1219 mm)	48" (1219 mm) available

ED3700 / EF3700

—Narrow Stile Rim Exit Device

NRIM



Specifications

Handing	Non-handed
Finishes	630 standard (Consult factory for others)
Strikes	900 Strike standard
Alarm	Available with AK3
Latch bolt	Stainless Steel, 3/4" (19mm) throw
Dead Latch bolt	Stainless Steel
Dogging Feature	1/2 turn hex key dogging standard For non-fire rated devices
Cylinder Dogging	Available with CD3
Door Size	36" (914mm) standard, 48" (1219mm) available (Consult factory for others)
Minimum Stile Width	1 3/4" (45mm)
Door Thickness	1 3/4" - 2" (45-50.8mm) standard (Consult factory for others)
Projection	Push bar Neutral 3 9/32" (83mm) Push bar Depressed 2 17/32" (64.5mm)
Mounting Height	41" (104.1cm) from CL to finished floor
UL	Certified UL 305 & UL fire rated, 3 hours
Shim Kit	950 shim kit standard

ED3727 / EF3727

NSVR

—Narrow Stile Surface Vertical Rod Exit Device

Top Strike
720



Specifications

Handing	Field Reversible
Finishes	630 standard (Consult factory for others)
Strikes	720 Top Strike standard 730 Bottom Strike standard
Alarm	Available with AK3
Latch bolt	Stainless Steel Top latch 3/4" (19mm) throw Bottom latch 1/2" (12.7mm) throw



Bottom Strike
730

Dead Latch bolt	None
Dogging Feature	1/2 turn hex key dogging standard For non-fire rated devices
Cylinder Dogging	Available with CD3
Door Size	36" (914mm) standard, 48" (1219mm) available (Consult factory for others)
Minimum Stile Width	1 3/4" (45mm)
Door Thickness	1 3/4" - 2" (45-50.8mm) standard (Consult factory for others)
Projection	Push bar Neutral 3 9/32" (83mm) Push bar Depressed 2 17/32" (64.5mm)
Mounting Height	41" (104.1cm) from CL to finished floor
UL	Certified UL 305 & 10C fire rated, 3 hours
Shim Kit	None



Dogging key
(for non-fire rated devices)

ED3727LBR / EF3727LBR

—Narrow Stile Less Bottom Rod Exit Device

NLBR

Top Strike
720

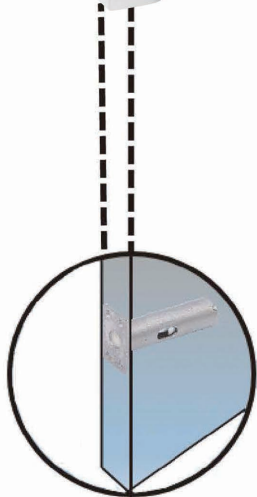


Specifications

Handing	Field Reversible
Finishes	630 standard (Consult factory for others)
Strikes	720 Top Strike standard No Bottom Strike
Alarm	Available with AK3
Latch bolt	Stainless Steel Top latch 3/4" (19mm) throw
Dead Latch bolt	None



Dogging Feature	1/2 turn hex key dogging standard For non-fire rated devices
Cylinder Dogging	Available with CD3
Door Size	36" (914mm) standard, 48" (1219 mm) available (Consult factory for others)
Minimum Stile Width	1 3/4" (45mm)
Door Thickness	1 3/4" - 2" (45-50.8mm) standard (Consult factory for others)
Projection	Push bar Neutral 3 9/32" (83mm) Push bar Depressed 2 17/32" (64.5mm)
Mounting Height	41" (104.1cm) from CL to finished floor
UL	Certified UL 305 & 10C fire rated, 3 hours Fire latch only for fire-rated device
Shim Kit	None



Auxiliary Fire
Latch Assembly

ED3747 / EF3747

—Narrow Stile Concealed Vertical Rod Exit Device

Top Strike
720C



Bottom Strike
730C



Bottom Strike
733

Specifications

Handing	Field Reversible
Finishes	630 standard (Consult factory for others)
Strikes	720C Top Strike standard 730C Bottom Strike standard or 733 Bottom Strike
Alarm	Available with AK3
Latch bolt	Stainless Steel Top latch 3/4" (19mm) throw Bottom latch 1/2" (12.7mm) throw
Dead Latch bolt	None
Dogging Feature	1/2 turn hex key dogging standard For non-fire rated devices
Cylinder Dogging	Available with CD3
Door Size	36" (914mm) standard, 48" (1219mm) available (Consult factory for others)
Minimum Stile Width	1 3/4" (45mm)
Door Thickness	1 3/4" - 2" (45-50.8mm) standard (Consult factory for others)
Projection	Push bar Neutral 3 9/32" (83mm) Push bar Depressed 2 17/32" (64.5mm)
Mounting Height	41" (104.1cm) from CL to finished floor
UL	Certified UL 305 & 10C fire rated, 3 hours
Shim Kit	None



Dogging key
(for non-fire rated devices)

ED3775 / EF3775

—Narrow Stile Mortise Exit Device

NMTP

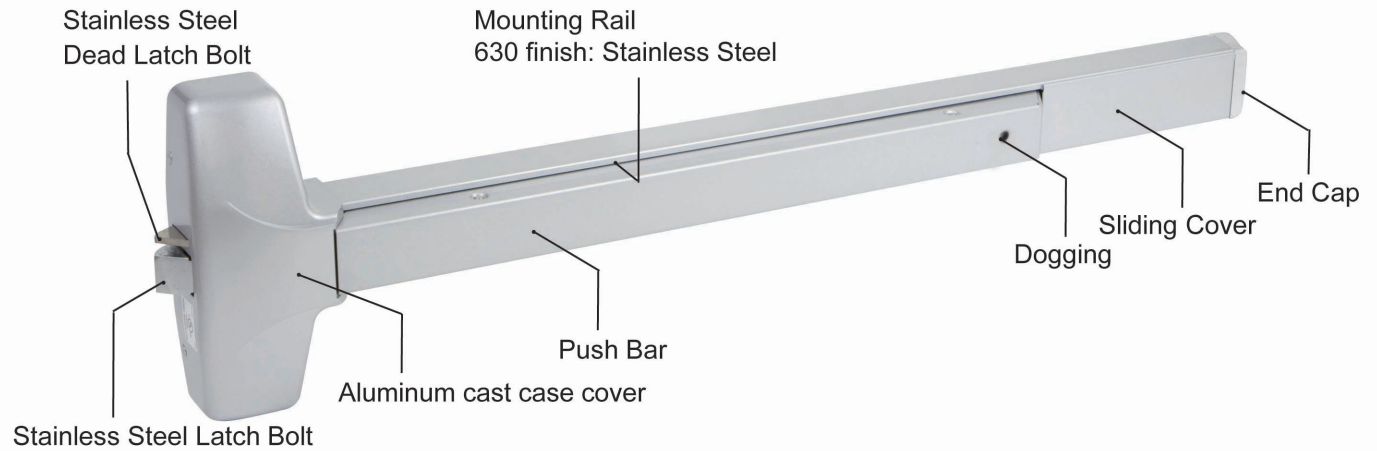


Specifications

Handing	Field Reversible
Finishes	630 standard (Consult factory for others)
Strikes	905 Mortise Strike standard
Alarm	Available with AK3
Latch bolt	Stainless Steel, 3/4" (19mm) throw
Dead Latch bolt	Stainless Steel
Dogging Feature	1/2 turn hex key dogging standard For non-fire rated devices
Cylinder Dogging	Available with CD3
Door Size	36" (914mm) standard, 48" (1219mm) available (Consult factory for others)
Minimum Stile Width	4 3/4" (120mm)
Door Thickness	1 3/4" - 2" (45-50.8mm) standard (Consult factory for others)
Projection	Push bar Neutral 3 9/32" (83mm) Push bar Depressed 2 17/32" (64.5mm)
Mounting Height	39 3/16" (99.5cm) from CL to finished floor
UL	Certified UL 305 & UL10C fire rated, 3 hours
Shim Kit	None

8900 Series Exit Devices

General Information

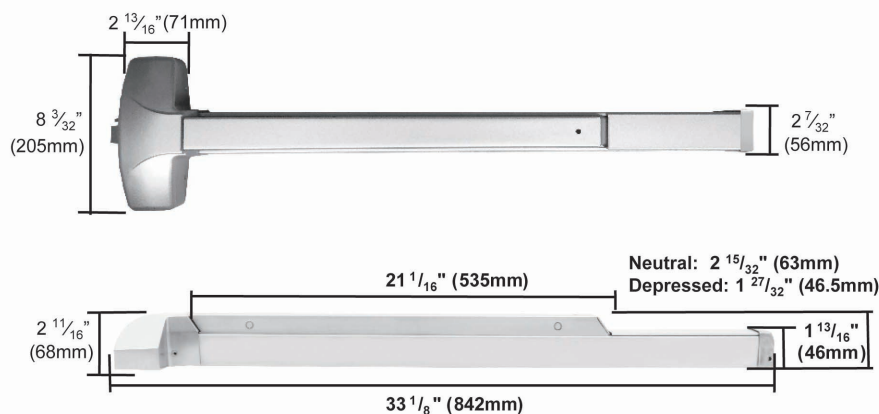


Features

- All devices are non-handed or reversible design.
- UL Listed for Fire Exit hardware, 3 hours.
- Variety of rose and escutcheon levers.
- Trims feature a through-bolt design that allow for a secure and durable installation.
- High shock-resistant latching mechanical design for protection.
- "A" Label (3 hr) rating on pairs of doors up to 8' x 8' for same or double egress.
- All internal components are made of electro-plated steel and corrosion-resistant alloy.

Dimensions

Standard for Door Width 36"



For Door Width	Device Size
24" (610 mm)	Please Consult Factory
48" (1219 mm)	48" (1219 mm) available

ED8900 / EF8900

—Rim Exit Device

RIM



Specifications

Handing	Non-handed
Finishes	630 standard, AL, Duro (Consult factory for others)
Strikes	600 Rigid Strike standard
Alarm	Available with AK8
Latch bolt	Stainless Steel, 3/4" (19mm) throw
Dead Latch bolt	Stainless Steel
Dogging Feature	1/2 turn hex key dogging standard For non-fire rated devices
Cylinder Dogging	Available with CD8
Door Size	36" (914mm) standard, 48" (1219mm) available (Consult factory for others)
Minimum Stile Width	4 3/4" (120mm)
Door Thickness	1 3/4" - 2" (45-50.8mm) standard (Consult factory for others)
Projection	Push bar Neutral 2 15/32" (63mm) Push bar Depressed 1 27/32" (46.5mm)
Mounting Height	41" (104.1cm) from CL to finished floor
UL	Certified UL 305 & UL 10C fire rated, 3 hours
Shim Kit	750 shim kit standard

ED8927 / EF8927

—Surface Vertical Rod Exit Device



Specifications

Handing	Field Reversible
Finishes	630 standard, AL, Duro (Consult factory for others)
Strikes	720 Top Strike standard 730 Bottom Strike standard
Alarm	Available with AK8
Latch bolt	Stainless Steel Top latch 3/4" (19mm) throw Bottom latch 1/2" (12.7mm) throw
Dead Latch bolt	None
Dogging Feature	1/2 turn hex key dogging standard For non-fire rated devices
Cylinder Dogging	Available with CD8
Door Size	36" (914mm) standard, 48" (1219mm) available (Consult factory for others)
Minimum Stile Width	4 3/4" (120mm)
Door Thickness	1 3/4" - 2" (45-50.8mm) standard. (Consult factory for others)
Projection	Push bar Neutral 3 15/32" (63mm) Push bar Depressed 1 27/32" (46.5mm)
Mounting Height	41" (104.1cm) from CL to finished floor
UL	Certified UL 305 & UL10C fire rated, 3 hours
Shim Kit	None

Dogging key
(for non-fire rated devices)

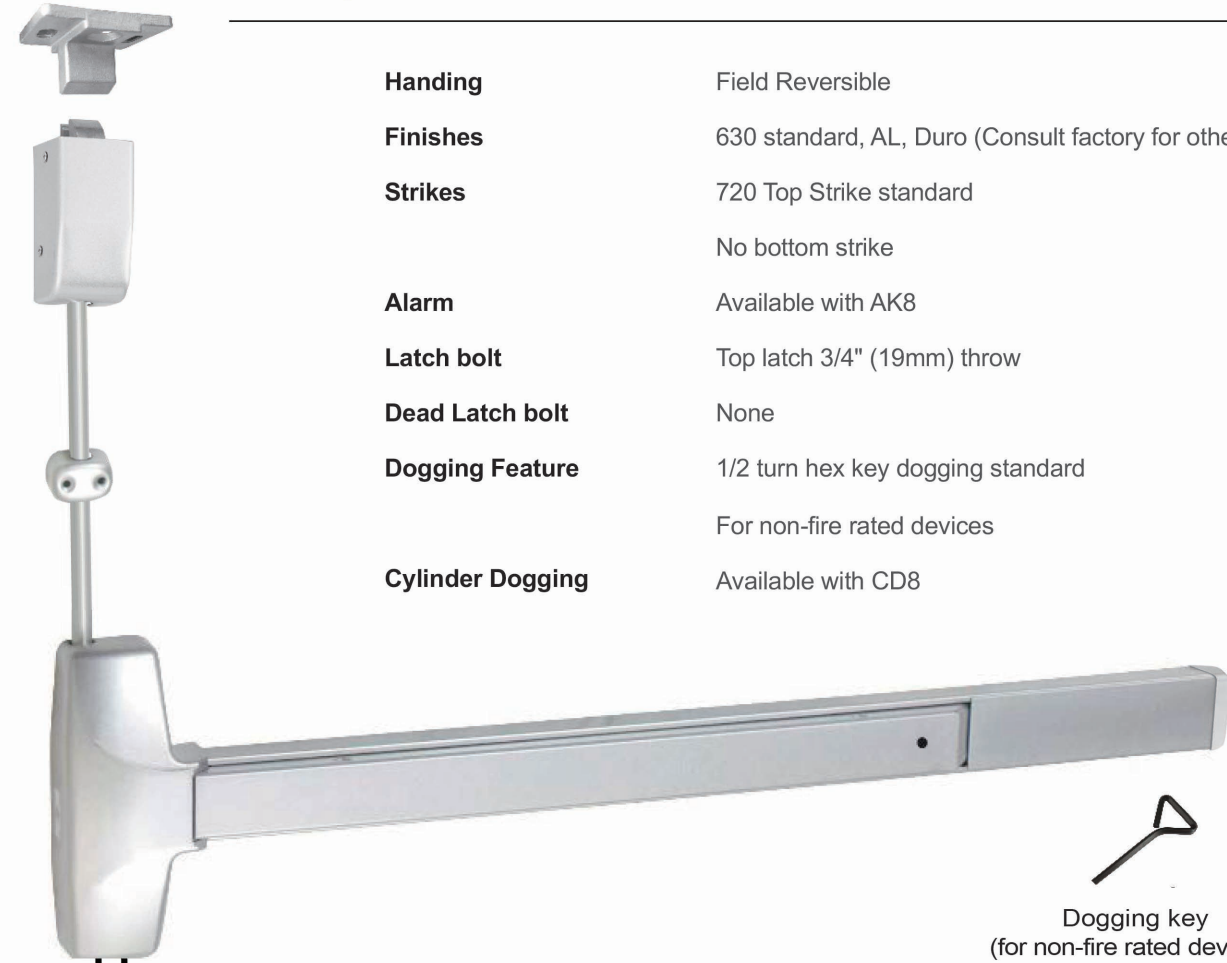
ED8927LBR / EF8927LBR

—Less Bottom Rod Exit Device

LBR

Top Strike
720

Specifications



Handing	Field Reversible
Finishes	630 standard, AL, Duro (Consult factory for others)
Strikes	720 Top Strike standard No bottom strike
Alarm	Available with AK8
Latch bolt	Top latch 3/4" (19mm) throw
Dead Latch bolt	None
Dogging Feature	1/2 turn hex key dogging standard For non-fire rated devices
Cylinder Dogging	Available with CD8
Door Size	36" (914mm) standard, 48" (1219mm) available (Consult factory for others)
Minimum Stile Width	4 3/4" (120mm)
Door Thickness	1 3/4" - 2" (45-50.8mm) standard (Consult factory for others)
Projection	Push bar Neutral 2 15/32" (63mm) Push bar Depressed 1 27/32" (46.5mm)
Mounting Height	41" (104.1cm) from CL to finished floor
UL	Certified UL 305 & UL10C fire rated, 3 hours Fire latch only for fire-rated device (option)
Shim Kit	None

**Auxiliary Fire
Latch Assembly**

ED8947 / EF8947

—Concealed Vertical Rod Exit Device

Top Strike
720C



Specifications



Bottom Strike
730C

Bottom Strike
733



Handing	Field Reversible
Finishes	630 standard, AL, Duro (Consult factory for others)
Strikes	720C Top Strike standard 730C Bottom Strike standard or 733 Bottom Strike
Alarm	Available with AK8
Latch bolt	Stainless Steel Top latch 3/4" (19mm) throw Bottom latch 1/2" (12.7mm) throw
Dead Latch bolt	None



Dogging key
(for non-fire rated devices)

Dogging Feature	1/2 turn hex key dogging standard For non-fire rated devices
Cylinder Dogging	Available with CD8
Door Size	36" (914mm) standard, 48" (1219mm) available (Consult factory for others)
Minimum Stile Width	4 3/4" (120mm)
Door Thickness	1 3/4" - 2" (45-50.8mm) standard (Consult factory for others)
Projection	Push bar Neutral 2 15/32" (63mm) Push bar Depressed 1 27/32" (46.5mm)
Mounting Height	41" (104.1cm) from CL to finished floor
UL	Certified UL 305 & UL10C fire rated, 3 hours
Shim Kit	None

ED8975 / EF8975

—Mortise Exit Device

MTP



Specifications

Handing	Field Reversible
Finishes	630 standard, AL, Duro (Consult factory for others)
Strikes	905 Mortise Strike standard
Alarm	Available with AK8
Latch bolt	Stainless Steel, 3/4" (19mm) throw
Dead Latch bolt	Stainless Steel
Dogging Feature	1/2 turn hex key dogging standard For non-fire rated devices
Cylinder Dogging	Available with CD8
Door Size	36" (914mm) standard, 48" (1219mm) available (Consult factory for others)
Minimum Stile Width	4 3/4" (120mm)
Door Thickness	1 3/4" - 2" (45-50.8mm) standard (Consult factory for others)
Projection	Push bar Neutral 2 15/32" (63mm) Push bar Depressed 1 27/32" (46.5mm)
Mounting Height	41" (104.1cm) from CL to finished floor
UL	Certified UL 305 & UL10C fire rated 3 hours
Shim Kit	None

Motorized Exit Device Trim

US PATENT: #10604963

Motorized Exit Device Trim

- Push bar with electronic control (Electronic trim only. Exit push bar sold separately)
- UL 10C 3 Hour Rated
- Gap between lever return and door surface less than 1/2" (12.7mm) (dependent upon lever selection)
- Backset: 2-3/4" (70mm)
- Door thickness: 1-3/4" - 2" (45-50.8mm), other upon request

Cylinder Specifications

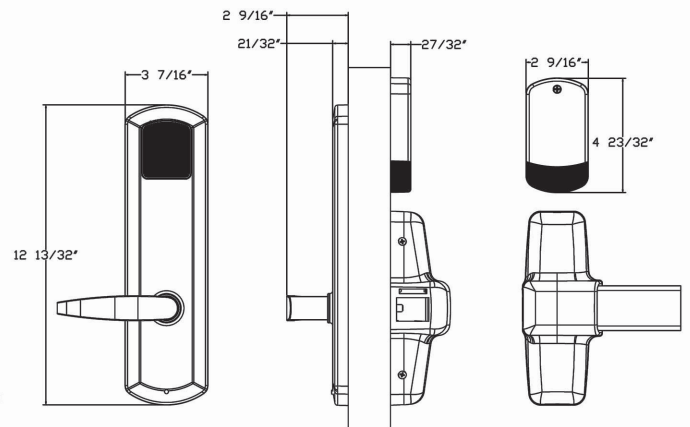
- Schlage® C keyway, brass 6 pin cylinder standard
- SFIC less core, for 6 or 7 pin
- Schlage® LFIC less core, Corbin® LFIC less core available
- High security SFIC core available, TownSteel "L" keyway, 7 pin
- KD, KA, MK, GGMK, and construction keying available



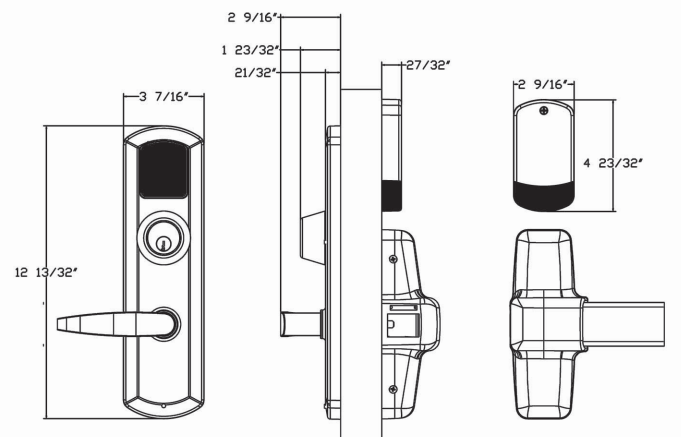
Quest lever shown



Sentinel lever shown



ANSI Grade 1
UL Listed



ANSI Grade 1
UL Listed



KES 914e R 1 S LHR 626 SC

Escutcheon

EKE1A	Electronic trim
EKE1B	Electronic trim with cylinder
KES	Electrified or mechanical trim

KES Functions

Blank	For EKE
902	Dummy
903	Night Latch (Storeroom)
908	Entrance
909e	Electrified trim with cylinder (10-30 VDC)
914	Passage
914e	Electrified trim (10-30 VDC)

EKE Functions

Blank	For KES
2	2000 series, metal keypad
5R	5000 series, touch keypad, RFID & Wi-Fi
5B	5000 series, touch keypad, RFID & BLE
6	6000 series, RFID technology

Exit device type

R	Rim devices
S	Surface vertical rod, 3PT & LBR devices
M	Mortise exit devices
C	Concealed vertical rod devices

Electrified rating (Electrified trim only)

Blank	Electronic or mechanical trim
1	FAIL SAFE
2	FAIL SECURE

Lever

S	Sentinel
Q	Quest
Consult factory for others	

Handing

LHR	Left Hand Reverse
RHR	Right Hand Reverse

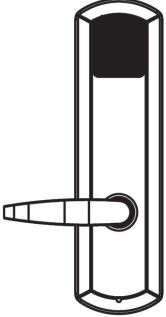
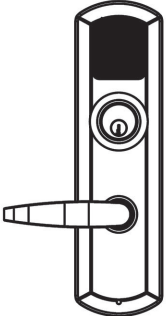
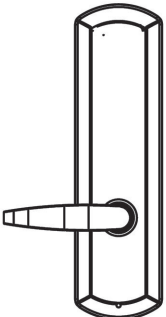
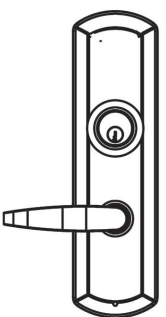
Finish

626	Satin Chrome finish (standard)
consult factory for others	

Cylinder

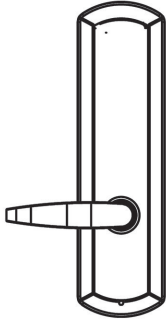
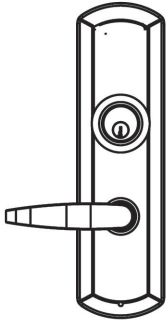
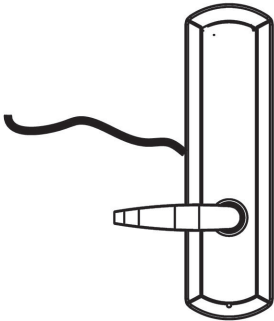
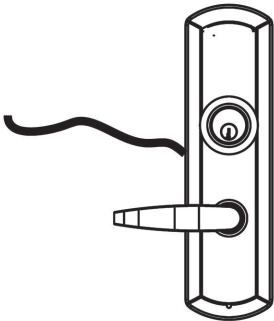
Blank	Trim without cylinder
SC	Schlage® C keyway, brass 6 pin cylinder (standard)
SFIC	Small Format IC, less core
SLFIC	Schlage® LFIC less core
L7	High security 7 pin cylinder with TownSteel "L" keyway
CLFIC	Corbin® LFIC less core

Escutcheon Lever Trim

Illustration	Series	Function	Function Description
	EKE1A	F13 ENTRANCE BY COMBINATION	Electronic Trim Battery powered with 4 AA batteries
	EKE1B	F13 ENTRANCE BY KEY OR COMBINATION	Electronic Trim Cylinder override and battery powered with 4 AA batteries
	KES 902	DUMMY	Non-functioning set without locking mechanism
	KES 903	F03 NIGHT LATCH, KEY RETRACTS LATCH	Entrance by trim when latch is retracted by key. Key removable only when locked.



Escutcheon Lever Trim

Illustration	Series	Function	Function Description
	KES-914	F14 PASSAGE LEVER OR KNOB ALWAYS ACTIVE	Latch bolt operated by lever at all times.
	KES-908	F-08 ENTRANCE, KEY LOCKS OR UNLOCKS LATCH	Entrance by lever, key locks or unlocks lever
	KES-914e	F-914e 1 - FAIL SAFE 2 - FAIL SECURE	Electrified trim FAIL SAFE or FAIL SECURE No cylinder Operable at 10-30 VDC
	KES-909e	F-909e 1 - FAIL SAFE 2 - FAIL SECURE	Electrified trim FAIL SAFE or FAIL SECURE With key override Operable at 10-30 VDC

Electronic Locks

2000 Series

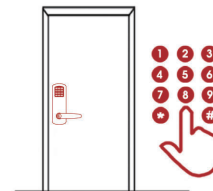
2000 Series is a standalone electronic function lock that provides keypad technology integrated with an ANSI Grade 1 heavy duty lockset for greater security. Keypad technology simplifies the management of the system and provides ease of use. Maximum code capacity includes 1 master code, 100 user codes, and 5 service codes. The 2000 Series is quick and easy to program.

Electronic Specifications

Application	Full indoor and outdoor
User codes	Up to 100
Communication	Multi-colored LED and Sound
Power supply	4AA Alkaline batteries
Battery life	Up to 2 years
Operating Temperature	-31 ° F to 151 ° F (-35°C to 66°C)
Certifications	FCC Part 15

Programming Features

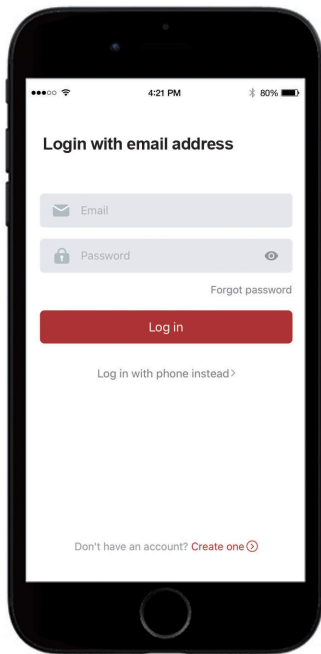
- 12-key push button illuminated
- Code length: 4-6 digits
- 100 pin codes capacity



Series 5000 BLE

Mobile application & BLE Series Locks

BLE



General Information

The TSE Home mobile application simplifies the ability to connect users to their locks and provides the power to manage access. The user can use their compatible bluetooth mobile device to conveniently and securely access assigned rooms. View activity logs of your property and be aware when batteries need to be changed.

With the TSE Home mobile app, it's easy to configure settings, manage users, add and delete credentials, and view activity log. Updates to configuration and access privileges can be sent to the device using the TSE Home mobile app.

General Information

Electronic credentials simplify managing keys and eliminate the need to re-key locks by allowing the owner to provide a unique credential to authorized users that can be deleted and replaced if lost.

Smart credentials (13.56 MHz)

- MIFARE® S50 EV1 1k
- MIFARE® S70 EV1 4k
- PIN Codes (6-10 digits)
- Up to 400 codes or keycards

Features

TSE Home mobile app

- Add new locks or devices
- Configure lock and device settings*
- Add new user codes*
- Assign users to each credential
- Manage users and assign privileges
- View and export audits*
- Receive notifications and updates*
- Manage device firmware updates*
- Configure lock and device settings*
- Unlock the door wirelessly*

* Completed within 20 feet of the lock

Technology recommendations

Apple iOS

- Apple iOS 13 & higher
- iPhone 8 or newer

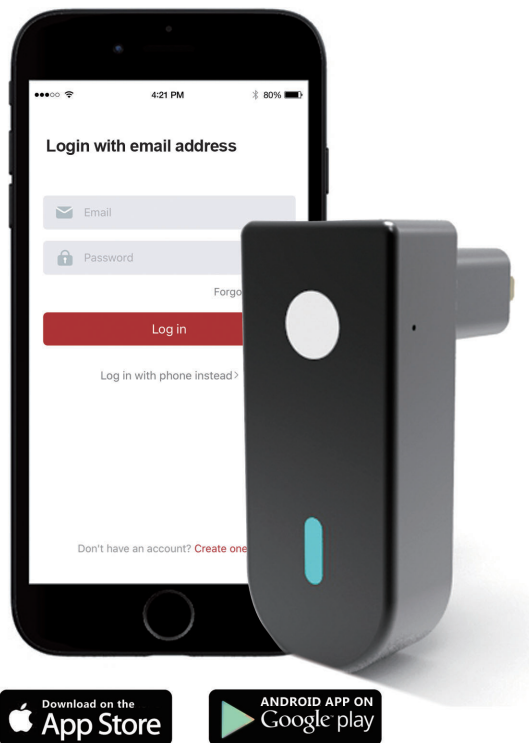
Android

- Android 10.0 & higher
- A device from a major manufacturer is recommended
 - Google Nexus 6 or newer, Pixel or newer
 - HTC One m9
 - Samsung S6 or newer

Series 5000 Wi-Fi

Mobile application & Wi-Fi Series Locks

Wi-Fi



General Information

The TSE Home mobile application simplifies the ability to connect users to their locks and provides the power to manage access. Grant a temporary guest key, view the activity log and stay aware when batteries need to be changed.

In order to operate the locks you will require a Gateway. The Gateway sends and receives data stream from your Phone/APP (Remotely) via the Internet Router in your property and converts it into RF signals to communicate with the Series 5000 Wi-Fi Lock.

With the TSE Home mobile app, it's easy to configure settings, manage users, assign access privileges, add and delete credentials, and view activity log and alerts. Updates to configuration and access privileges can be sent to the lock remotely.

General Information

Electronic credentials simplify managing keys and eliminate the need to re-key locks by allowing the owner to provide a unique credential to authorized users that can be deleted and replaced if lost.

Smart credentials (13.56 MHz)

- MIFARE® S50 EV1 1k
- MIFARE® S70 EV1 4k
- PIN Codes (6-10 digits)
- Up to 400 codes or keycards

System features

TSE Home mobile app

- Add new locks or devices
- Configure lock and device settings
- Add new users and credentials*
- Assign users to each credential*
- Manage users and assign access privileges*
- View and export audits
- Receive notifications and updates*
- Manage device firmware updates*
- Configure lock and device settings*
- Unlock the door wirelessly*

* Completed remotely using Wi-Fi Gateway

Technology recommendations

Apple iOS

- Apple iOS 13 & higher
- iPhone 8 or newer

Android

- Android 10.0 & higher
- A device from a major manufacturer is recommended
 - Google Nexus 6 or newer, Pixel or newer
 - HTC One m9

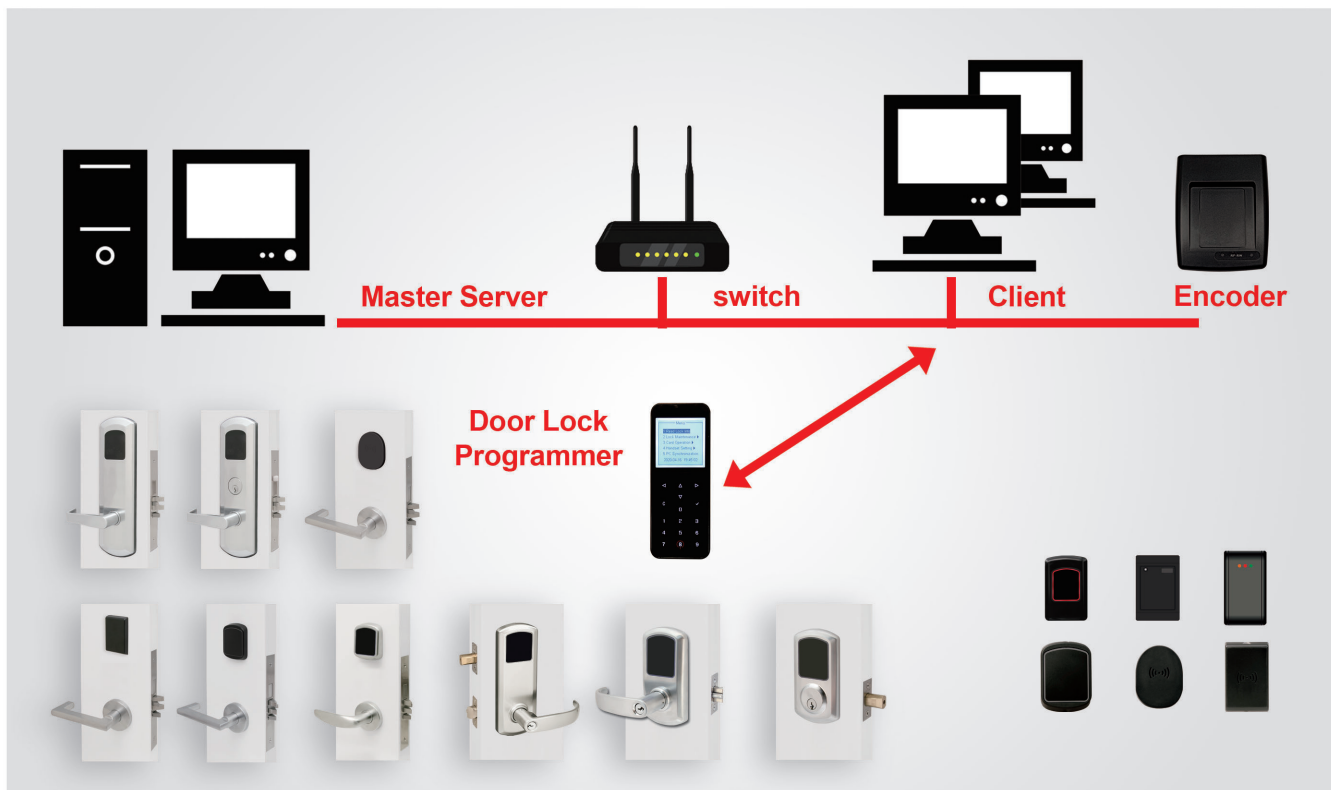
TownSteel Maxx Access System

Overview

Maxx Access System management software provides a comprehensive cost-effective and access control solution for properties. Whether you are managing apartments, privatized student housing or senior living facilities, TownSteel now offers a centralized interface to manage all aspects of property access control from individual living spaces to property perimeter and elevator control.

This offline Windows®-based system designed by TownSteel for enhanced user experience and security, offers centralized administration and control of sites scalable to your needs. Some of the system's top features impacting multi-housing and hotels can tailor access privileges to staff or guests quickly and easily using the intuitive, user-friendly software. Single-door architecture makes specifying, installing, and maintaining the system secure yet straightforward. Advanced features include integrated access control and elevator control. Plus, you can quickly generate multi-activity reports in a few clicks. It is compatible with all TownSteel 6000 series locks such as the e-Kestros, e-Kontos, e-Genius, e-Elite, e-Trident and e-Cronus.

- Create user profiles to secure system access.
- Facilitates replacement of lost cards.
- Common and restricted area management through credential or scheduled access.
- View, save or print reports
- Supports multi-room access with one key.
- Securely programs and encodes credentials and accessories.



Trim order example

ED8900T 08 R 630 SC

Trim Selection

ED8900LS	Sectional CTS lever trim
ED8900LQ	Sectional SDQ lever trim
ED8900P1	Pull trim
ED8900P2	Pull trim
ED8900P3	Pull trim
ED8900T	Thumbpiece trim
ED8900NE	Narrow stile lever trim escutcheon
ED8900NP	Narrow stile pull trim

Function

08	Entrance
09	Storeroom
14	Passage
02	Dummy
01	Cover (Pull trim only)

Exit device type

R	Regular (Rim, SVR, LBR & 3 point)
M	Mortise exit device
C	Concealed vertical rod exit device

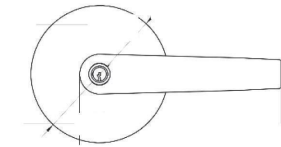
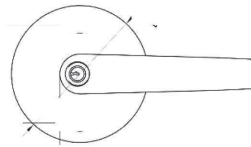
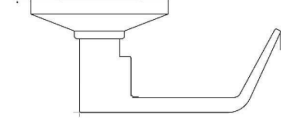
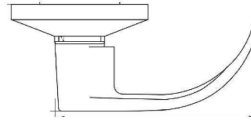
Finish

630	Satin Stainless Steel finish (standard)
ALUM	Aluminum finish (standard for pull trim)
consult factory for others	

Cylinder

SC	6 pin Schlage® C keyway
SFIC	Small format IC (SFIC) Less core
SLFIC	Schlage® large format IC less core
CLFIC	Corbin® large format IC less core

Sectional Lever Trim



ED8900LQ Lever shown

ED8900LS Lever shown

Features:

- Non-handed
- Compatible with 8900 Series Exit Device
- Thru-bolted mounting
- Available for panic and fire rated rim and vertical rod exit devices

- Lever length: 5-1/4" (133mm)
- Door thickness: 1-3/4" (45mm)
- Cylinder: Schlage® C keyway standard, 6 pin
- SFIC & SLFIC: Less core
- Available finish: US32D

Function

Trim Type	ANSI Code	Function
ED8900L-02	F-02 Dummy	Pull when dogged
ED8900L-08	F-08 Entrance	Key locks or unlocks latch bolt
ED8900L-09	F-09 Storeroom	Night latch, key retracts latch bolt
ED8900L-14	F-14 Passage	Lever operable

How To Order

Trim Type	ED8900LS ED8900LQ	<p>Example:</p> <p style="text-align: center;">ED8900LS - 08 - R - 626 - SC</p> <p>1. ED8900LS —————</p> <p>2. Entrance —————</p> <p>3. Rim —————</p> <p>4. US26D —————</p> <p>5. Schlage® C keyway —————</p>
Function	02, 08, 09, 14	
Exit Device Type	R: Rim, SVR, LBR & 3PT	
Finish	626 (consult factory for others)	
Cylinder	SC, SFIC, SLFIC	

Pull Trim

ED8900P1



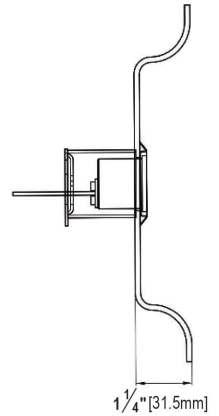
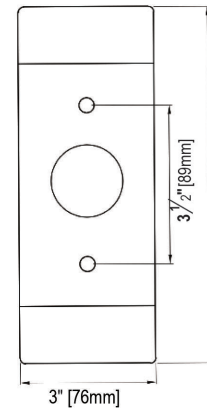
Storeroom



Dummy



Cover



ED8900P2



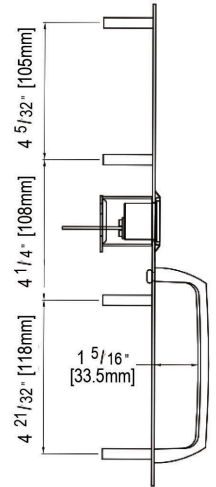
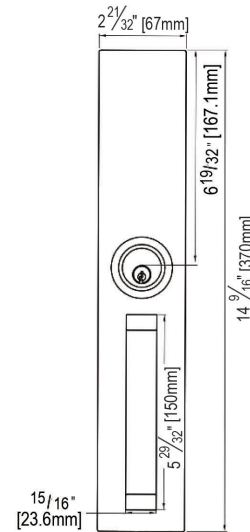
Storeroom



Dummy



Cover



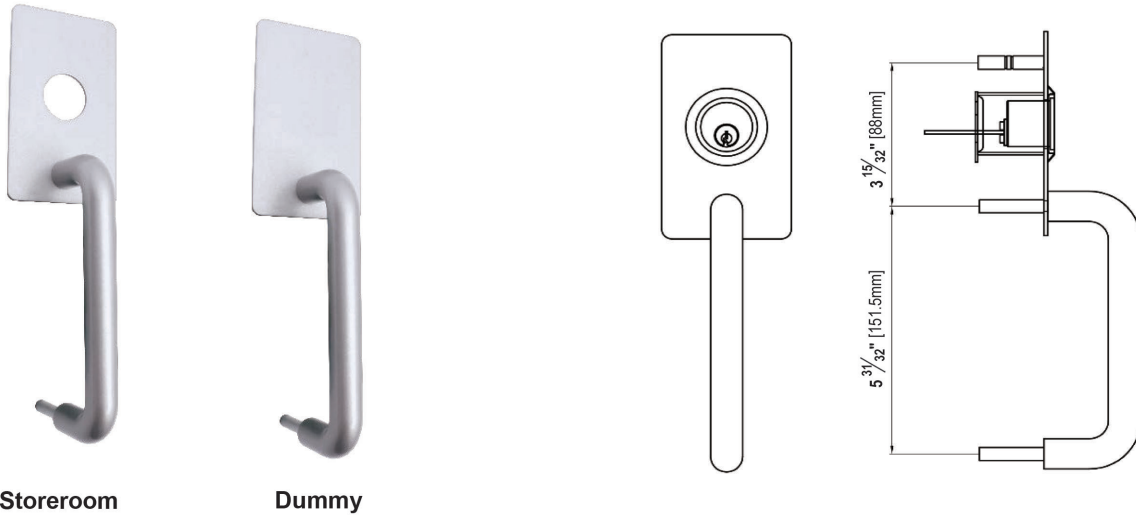
Function

Trim Type	ANSI Code	Function
ED8900P1-01 ED8900P2-01	F-01 Cover	Exit only
ED8900P1-02 ED8900P2-02	F-02 Dummy	Pull when dogged
ED8900P1-09 ED8900P2-09	F-09 Storeroom	Night latch, key retracts latch bolt

How To Order

Trim Type	ED8900P1 ED8900P2	Example: <u>ED8900P1</u> - <u>09</u> - <u>R</u> - <u>ALUM</u> - <u>SC</u> 1. ED8900P1 _____ 2. Storeroom _____ 3. Rim _____ 4. ALUM _____ 5. Schlage® C keyway _____
Function	01, 02, 09	
Exit Device Type	R: Rim, SVR, LBR, 3PT	
Finish	ALUM	
Cylinder	SC, SFIC, SLFIC, CLFIC	

Pull Trim



Function

Trim Type	ANSI Code	Function
ED8900P3-02	F-02 Dummy	Pull when dogged
ED8900P3-09	F-09 Storeroom	Night latch, key retracts latch bolt

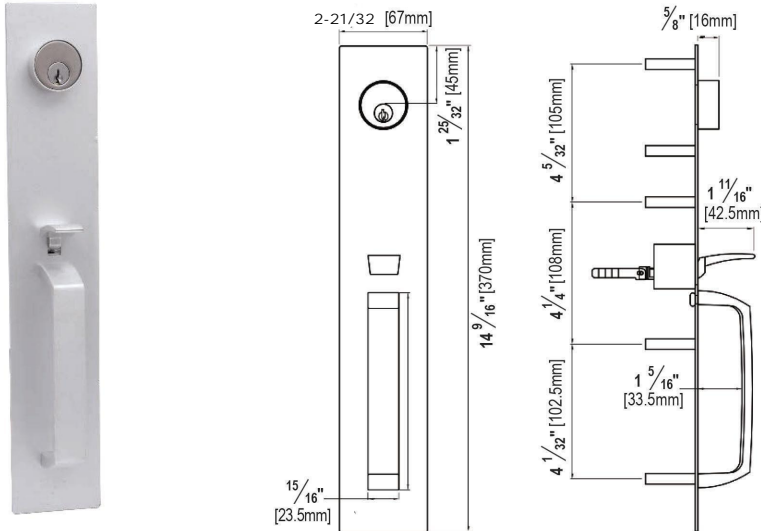
How To Order	
Trim Type	ED8900P3
Function	02, 09
Exit Device Type	R: Rim, SVR, LBR, 3PT
Finish	ALUM
Cylinder	SC, SFIC, SLFIC, CLFIC

Example:

ED8900P3 - 09 - R - ALUM - SC

- ED8900P3
- Storeroom
- Rim
- ALUM
- Schlage® C keyway

Thumbpiece Trim



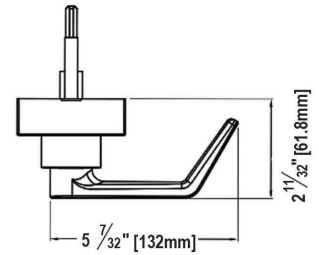
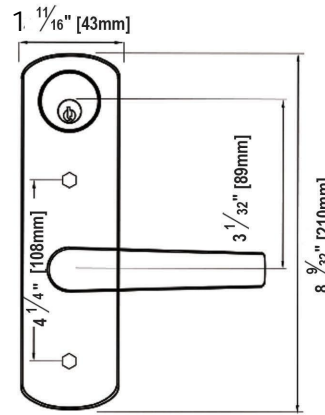
Function

Trim Type	ANSI Code	Function
ED8900T-02	F-02 Dummy	Pull when dogged
ED8900T-08	F-08 Entrance	Key locks or unlocks latch bolt
ED8900T-09	F-09 Storeroom	Night latch, key retracts latch bolt
ED8900T-14	F-14 Passage	Lever operable

How To Order

Trim Type	ED8900T	<p>Example:</p> <p style="text-align: center;">ED8900T- 08 - R - 630 - SC</p> <p>1. ED8900T —————</p> <p>2. Entrance —————</p> <p>3. Rim —————</p> <p>4. US32D —————</p> <p>5. Schlage® C keyway —————</p>
Function	02, 08, 09, 14	
Exit Device Type	R: Rim, SVR, LBR, 3PT	
Finish	630	
Cylinder	SC, SFIC, SLFIC, CLFIC	

Narrow Style Trim



Function

Trim Type	ANSI Code	Function
ED8900NE-02	F-02 Dummy	Pull when dogged
ED8900NE-08	F-08 Entrance	Key locks or unlocks latch bolt
ED8900NE-09	F-09 Storeroom	Night latch, key retracts latch bolt
ED8900NE-14	F-14 Passage	Lever operable

How To Order

Trim Type	ED8900NE	<p>Example:</p> <p>ED8900NE-08-R-630-SC</p> <p>1. ED8900NE —————</p> <p>2. Entrance —————</p> <p>3. Rim —————</p> <p>4. US32D —————</p> <p>5. Schlage® C keyway —————</p>
Function	02, 08, 09, 14	
Exit Device Type	R: Rim, SVR, LBR, 3PT M: Mortise C: CVR	
Finish	630	
Cylinder	SC, SFIC, SLFIC, CLFIC	



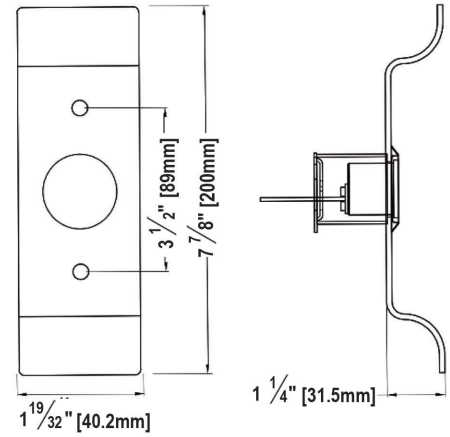
Storeroom



Dummy



Cover



AL Color Standard

Function

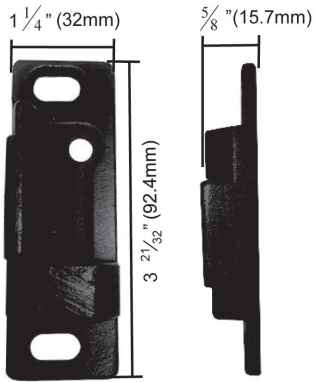
Trim Type	ANSI Code	Function
ED8900NP-01	F-01 Cover	Exit only
ED8900NP-02	F-02 Dummy	Pull when dogged
ED8900NP-09	F-09 Storeroom	Night latch, key retracts latch bolt

How To Order

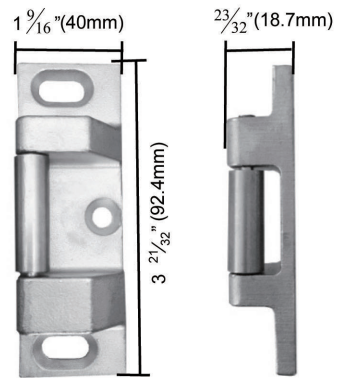
Trim Type	ED8900NP	<p>Example:</p> <p>ED8900NP- 09 - R - ALUM - SC</p> <p>1. ED8900NP ————</p> <p>2. Storeroom ————</p> <p>3. Rim ————</p> <p>4. ALUM ————</p> <p>5. Schlage® C keyway ————</p>
Function	01, 02, 09	
Exit Device Type	R: Rim, SVR, LBR, 3PT	
Finish	ALUM	
Cylinder	SC, SFIC, SLFIC, CLFIC	



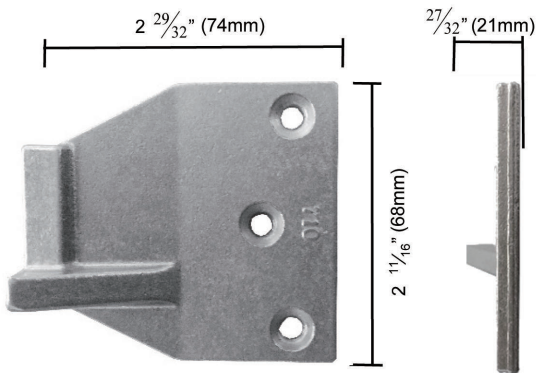
Rim Device



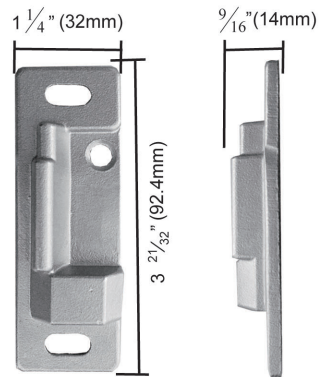
STK 600
(Standard for 8900 series)



STK 701
(Optional for 8900 series)



O-STK 710
(Optional for 3700, 8900, 9700 series)



STK 900
(Standard for 3700, 9700 series)

Shim Kit



750-950
For 600 and 900 Rim Strike



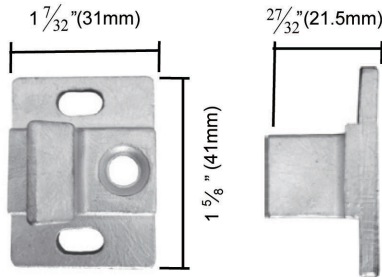
751
For 701 Rim Strike



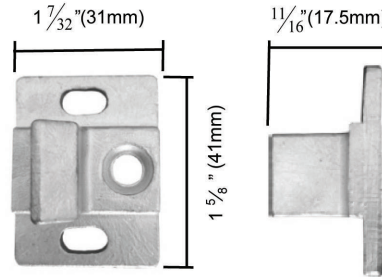
952
For 710 Rim Strike

Vertical Rod Device

Top Strike

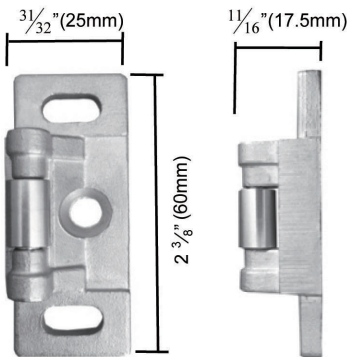


T-STK 720
(Standard for SVR, LBR & 3PT)

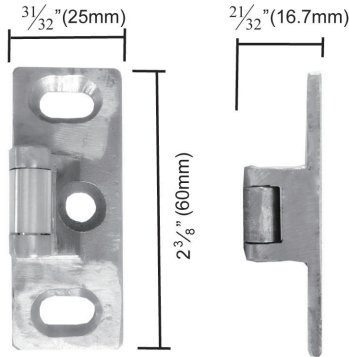


T-STK 720C
(Standard for CVR)

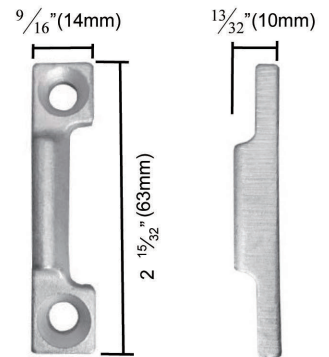
Bottom Strike



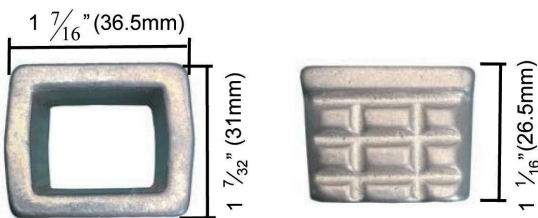
B-STK 730
(Standard for SVR & 3PT)



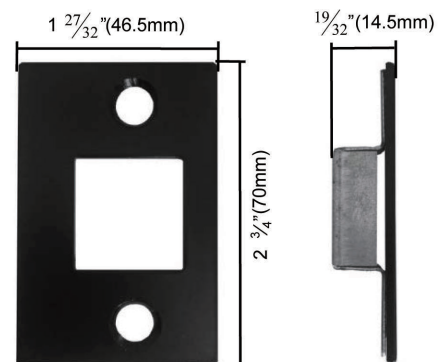
B-STK 730C
(Standard for CVR)



B-STK 731
(Optional for SVR & 3PT)



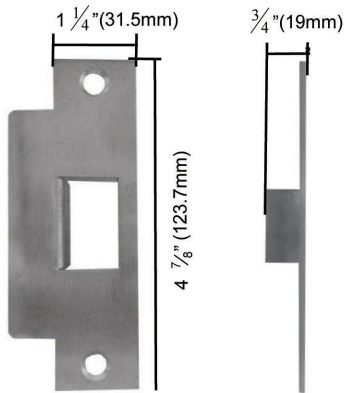
B-STK 732
Mortise in type
(Optional)



B-STK 733
Mortise in type
(Standard for CVR, Optional for others)

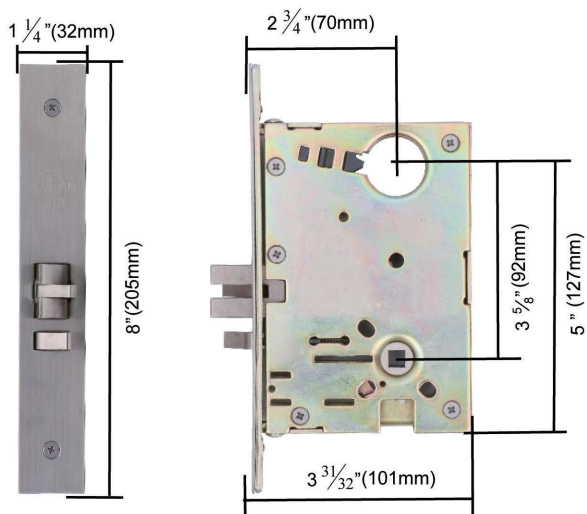


Mortise Device

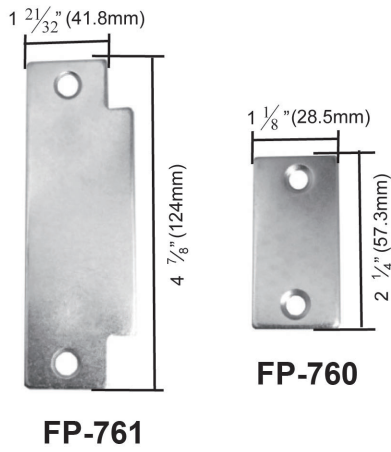


STK 905
(Standard for Mortise devices)

Mortise Lock



Filler Plate

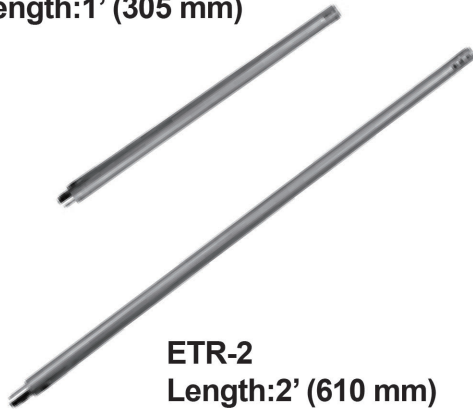


FP-761

FP-760

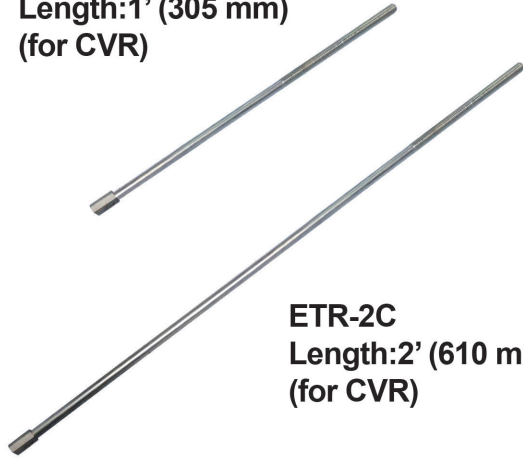
Extension Rod

ETR-1
Length:1' (305 mm)



ETR-2
Length:2' (610 mm)

ETR-1C
Length:1' (305 mm)
(for CVR)



ETR-2C
Length:2' (610 mm)
(for CVR)

Sex Nuts and Bolts(SNB)



SNB-1
1 1/4"-2" (32-50.8 mm)
door thickness



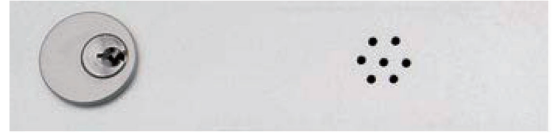
SNB-2
2" -2 1/4" (50.8-57 mm)
door thickness

Cylinder Dogging Kit



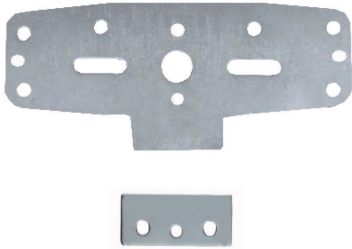
CD8 8900 series
 CD9 9700 series
 CD3 3700 series

Alarm Kit



AK8 8900 series
 AK9 9700 series
 AK3 3700 series

Glass Shim Kit



Thickness: 1/8" (3mm)
GSK-6R
 (8900 series Rim devices only)



Thickness: 1/8" (3mm)
GSK-3R
 (9700 series Rim devices only)



Thickness: 1/8" (3mm)
GSK-6V
 (8900 series SVR, LBR & 3PT devices)



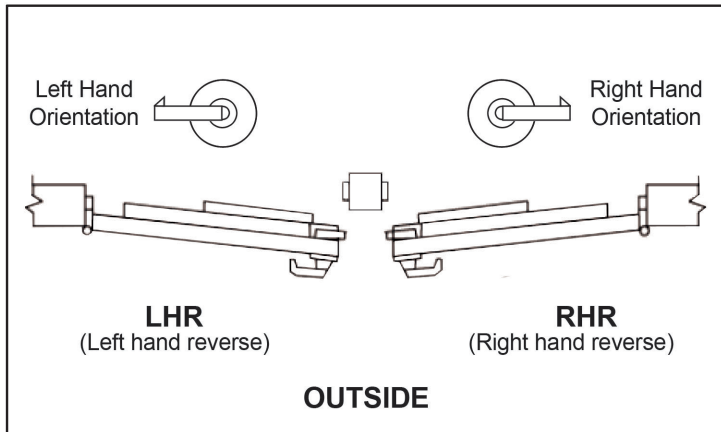
Thickness: 1/8" (3mm)
GSK-3V
 (9700 series SVR, LBR & 3PT devices)

Dogging Key

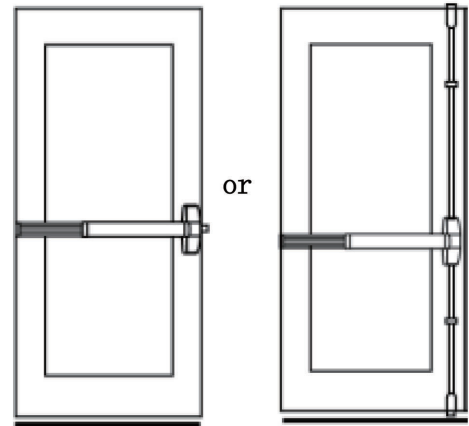


DK

Handing

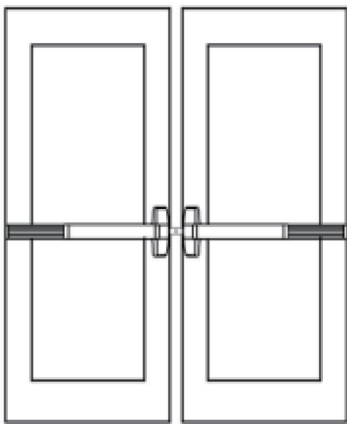


Single Door



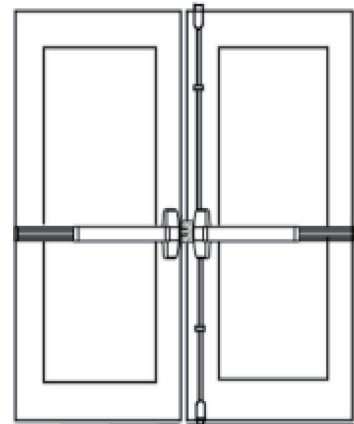
Rim type, Mortise type or vertical rod type

Pair of Doors With Mullion



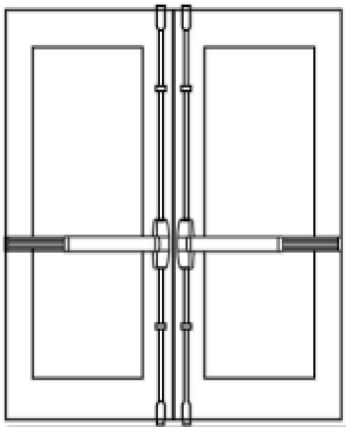
2 Rim type with mullion

Pair of Doors Without Mullion



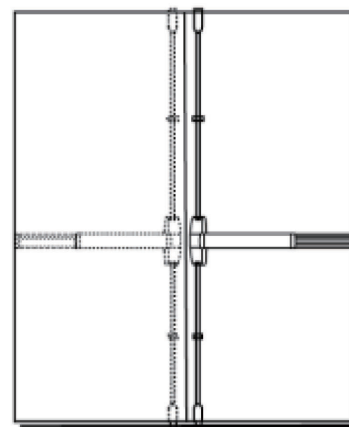
1 Rim type and 1 vertical rod type

Pair of Doors Without Mullion



2 Vertical rod type

Pair of Doors Without Mullion



2 Vertical rod type

Townsteel Inc.

17901 Railroad Street, City of Industry, CA 91748 | sales@townsteel.com

Toll Free: 1-877-858-0888 | Tel. (626) 965-8917 | Fax: (626) 965-8919

www.townsteel.com www.townsteelectronics.com

