



VOLTA

ARCHITECTURAL LED RECESSED 2" & 4.5"

WAC LIGHTING

VOLTA ARCHITECTURAL LED RECESSED 2" & 4.5"

Specifiable lumen outputs up to 1600 lumens on 2" recessed and 3620 lumens on 4.5" recessed

Specifier friendly approach to design and ordering

Universal housing and trim ship separately - make the key decisions after housing is installed

Easy model numbering - Simplicity in specifying and ordering

FEATURING

FLEXIBLE

- Universal input voltage ranging from 120V through 277V
- Choice of multiple apertures, dimming protocols, power and light outputs

VERSATILE

- Wet location listed standard
- Vertical and horizontal adjustment for accenting and slope ceiling applications

COMFORTABLE

- Optimized cut-off for superior glare control
- Wide range of accessories, including glare control, optic and color lenses

CONTROLLABLE

- Reverse phase and 0-10V dimming standard
- Field interchangeable optics

CAPABLE

- Delivered output over 3600 lumens and 100 lumens per watt
- Beam spreads from 12° spot to 60° wide flood

Today's energy codes demand flexibility in power consumption.

Volta allows the specifier to budget power and expend it only as needed.

Volta performs in high illuminance retail applications as well as hospitality and residential settings where comfortable ambiance is desired.



ANATOMY OF PRECISION



LOCKING QUICK CONNECTOR
Snap onto universal housing

LIGHT ENGINE
Energy efficient long life LED with multiple CCT and CRI selections

UNIVERSAL MOUNTING
Installation up to 1½" ceiling thickness

PRECISION OPTICS
Crisp illumination with tool-less field changeable reflectors
Spot distribution features dedicated module

OPTICAL CARTRIDGE
Tool-less field changeable optics

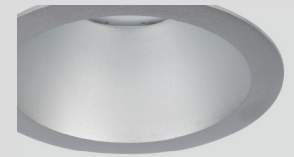
PERSONALIZE
Lighting is an art
Create mood with various accessories

FINISHING TOUCH
Self flanged die cast trims standard with wet location hinged lens
Choice of 6 finishes to integrate into the architecture

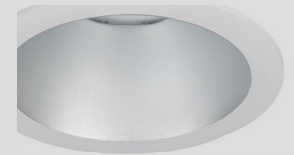
Architectural grade finishes



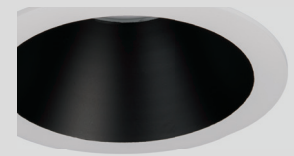
White



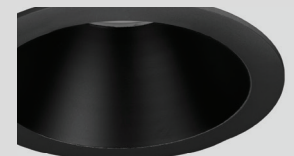
Haze



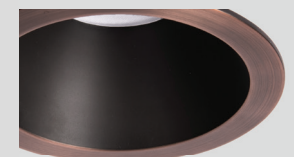
Haze / White



Black / White



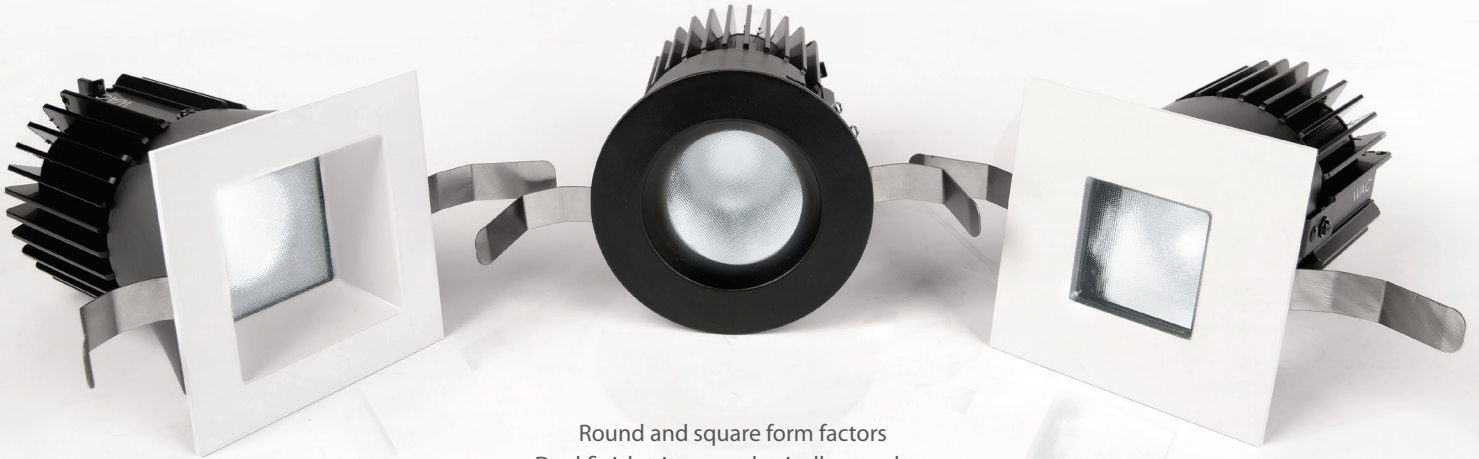
Black



Copper Bronze



**small aperture
HUGE PERFORMANCE**



Round and square form factors
Dual finish trims are physically seamless
Die-cast self flanged aluminum construction
Choices of trims include downlights, 45° adjustable and pinhole, wall wash

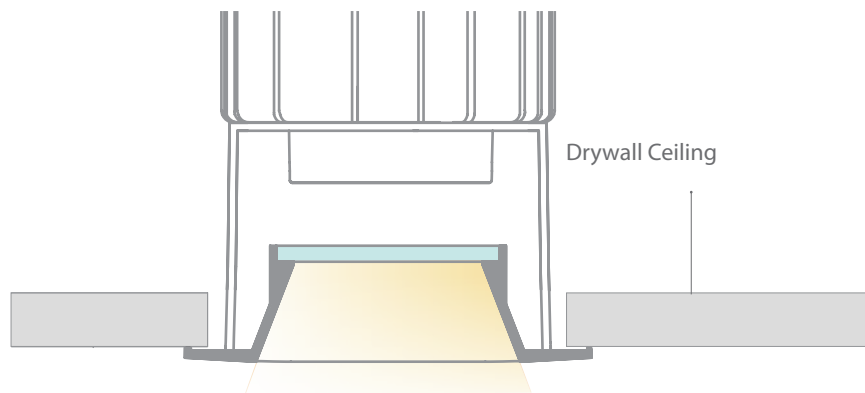


NEW CONSTRUCTION HOUSING

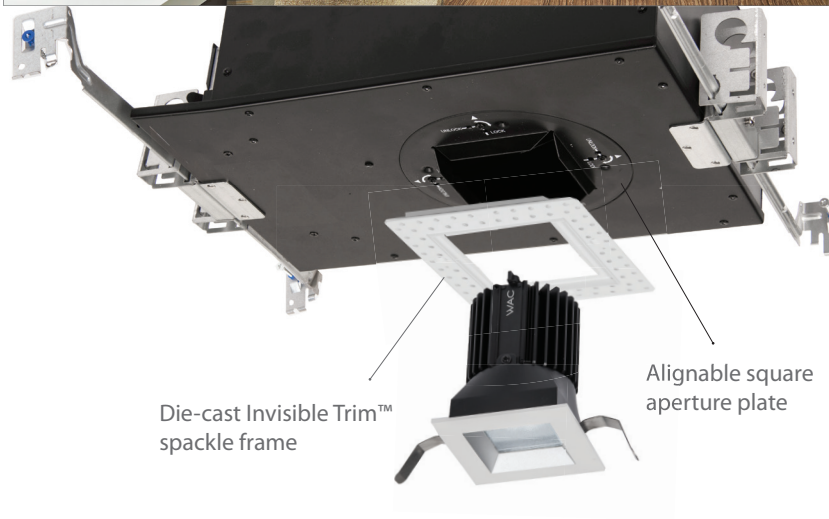
- 22W and 15W power options
- Chicago Plenum and Emergency backup available
- Universal mounting bracket (Hanger bars included)

Installation and service ease
Quickly removable trim assembly and below ceiling serviceable cutout

TRIMMED INSTALLATION



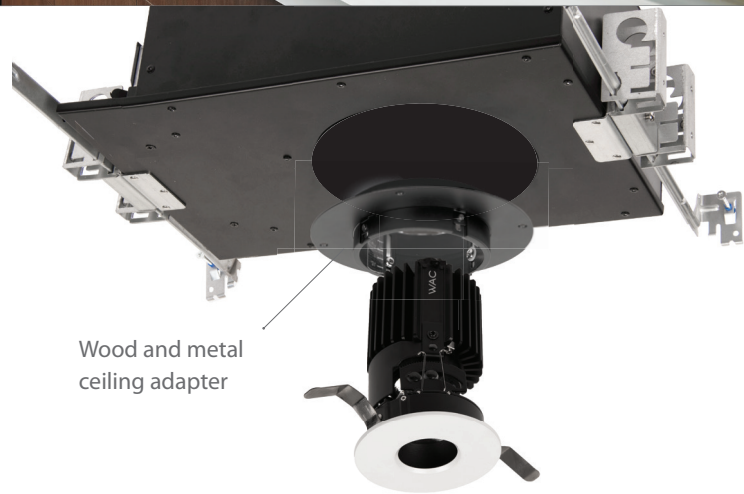
VOLTA ARCHITECTURAL LED RECESSED 2"



Die-cast Invisible Trim™
spackle frame

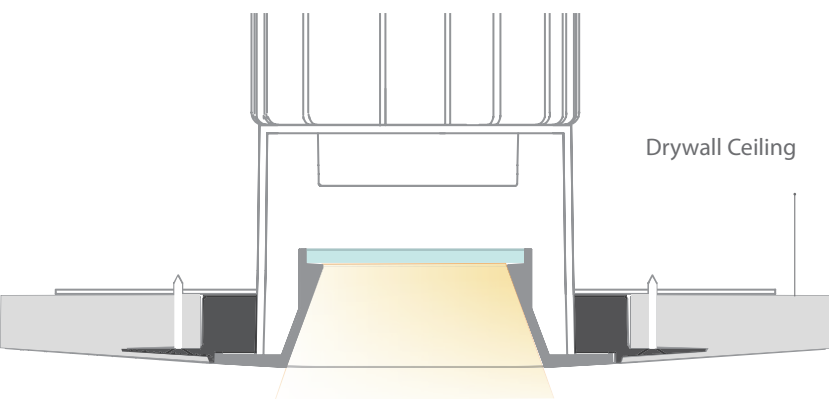
Alignable square
aperture plate

INVISIBLE TRIM™ INSTALLATION

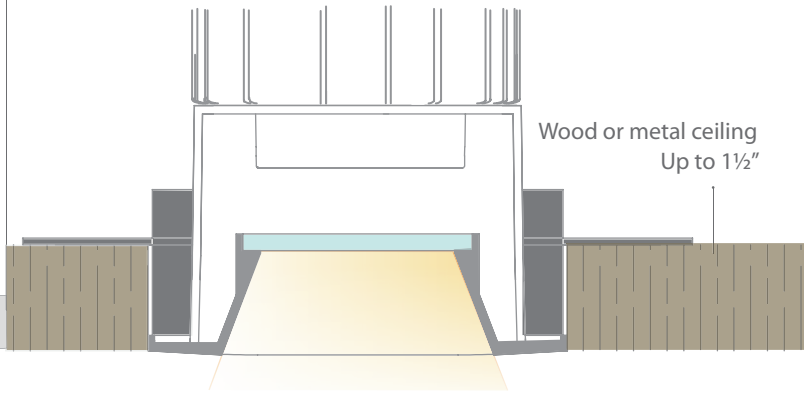


Wood and metal
ceiling adapter

WOOD AND METAL CEILING INSTALLATION



Drywall Ceiling



Wood or metal ceiling
Up to 1 1/2"

VOLTA ARCHITECTURAL LED RECESSED 2"

DOWNLIGHT



- General illumination
- Superior glare control

SHALLOW REGRESSED DOWNLIGHT

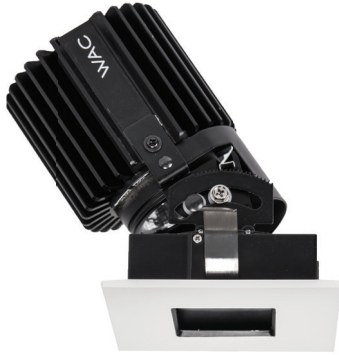


- Increased field angle for reduced scalloping
- Low ceiling and close to wall applications

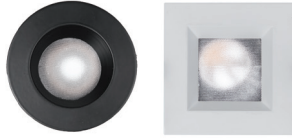


VOLTA ARCHITECTURAL LED RECESSED 2"

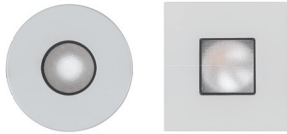
ADJUSTABLE



ADJUSTABLE

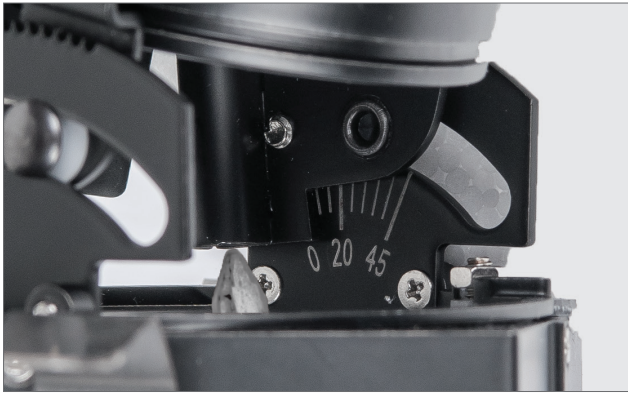


PINHOLE



- Center beam alignment maintained throughout adjustment range
- 0-45° vertical and 365° horizontal lockable hot aiming

PRECISION AIMING

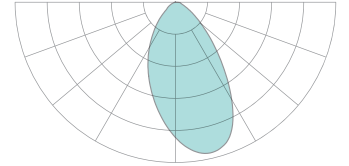


0 - 45° vertical lockable hot aiming



365° horizontal lockable hot aiming

WALL WASH



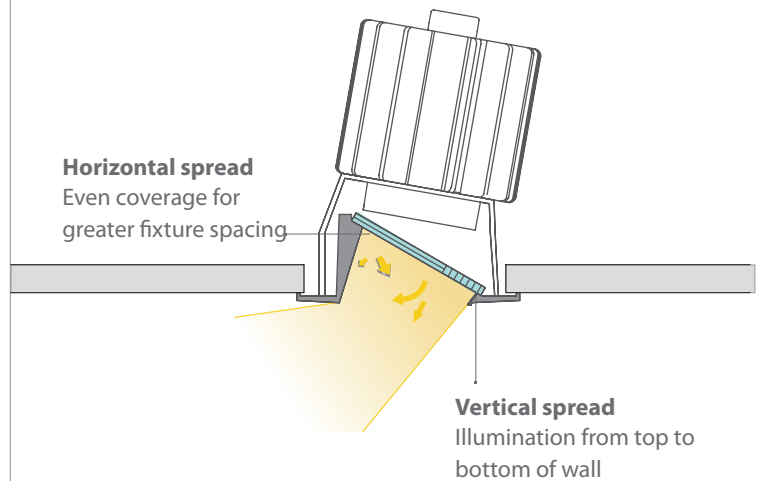
- Innovative bi-directional spread lens
- Engineered for even wall illumination horizontally and vertically

BI-DIRECTIONAL SPREAD LENS



Horizontal spread

Even coverage for greater fixture spacing



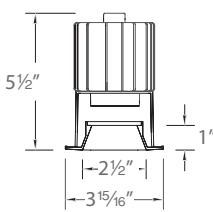
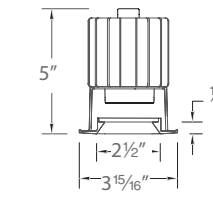
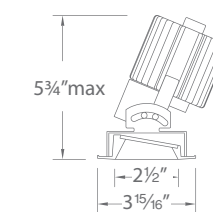
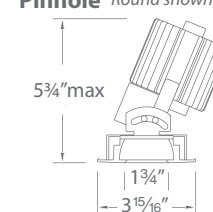
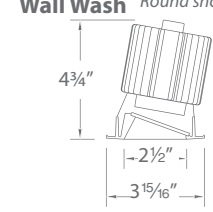
Vertical spread

Illumination from top to bottom of wall

VOLTA ARCHITECTURAL LED RECESSED 2"

Lumens: Up to 1600
Input: 120 - 277V
Power: 15W, 22W
Comparable to: 35W HID

CRI: Up to 90
Dimming: ELV, 0-10V
Rated Life: 50,000 hours

TRIM	Model	Beam	Lumens	CBCP	-22 Housing @ 830	Color Temp	CRI	Finishes	Reflector/Trim						
Downlight 	R2RD2T Round Trim R2SD2T Square Trim	S 12°	Round	390	5515	827 2700K 85 830 3000K 85 835 3500K 85 840 4000K 85 927 2700K 90 930 3000K 90	85	BK Black BKWT Black/White CB Copper Bronze HZ Haze HZWT Haze/White WT White	Reflector/Trim						
			Square	405	5405										
		N 25°	Round	1260	6030										
			Square	1375	5505										
		F 40°	Round	1305	3355										
			Square	1390	3110										
		W 60°	Round	830	1175										
			Square	985	1115										
		Shallow Regressed Downlight 	R2RD1T Round Trim R2SD1T Square Trim	S 12°	Round					395	5910	827 2700K 85 830 3000K 85 835 3500K 85 840 4000K 85 927 2700K 90 930 3000K 90	85	BK Black BKWT Black/White CB Copper Bronze HZ Haze HZWT Haze/White WT White	Reflector/Trim
					Square					420	6085				
N 25°	Round			1250	5380										
	Square			1460	6145										
F 40°	Round			1270	3085										
	Square			1480	3315										
W 60°	Round			905	1020										
	Square			1075	1035										
Adjustable Round shown 	R2RAT Round Trim R2SAT Square Trim			S 12°	Round	335	4300	827 2700K 85 830 3000K 85 835 3500K 85 840 4000K 85 927 2700K 90 930 3000K 90	85	BK Black BKWT Black/White CB Copper Bronze HZ Haze HZWT Haze/White WT White	Reflector/Trim				
					Square	360	5805								
		N 25°	Round	915	5340										
			Square	1040	5960										
		F 35°	Round	940	2910										
			Square	1015	3215										
		Pinhole Round shown 	R2RPT Round Trim R2SPT Square Trim	S 12°	Round	235	3380					827 2700K 85 830 3000K 85 835 3500K 85 840 4000K 85 927 2700K 90 930 3000K 90	85	BK Black CB Copper Bronze HZ Haze WT White	Reflector/Trim
					Square	285	4780								
				N 20°	Round	555	4805								
					Square	720	5340								
Wall Wash Round shown 	R2RWT Round Trim R2SWT Square Trim			A Asym	Round	1020	670	827 2700K 85 830 3000K 85 835 3500K 85 840 4000K 85 927 2700K 90 930 3000K 90	85	BK Black BKWT Black/White CB Copper Bronze HZ Haze HZWT Haze/White WT White	Reflector/Trim				
					Square	940	655								

Example: R2RPT-S930-BK

PHOTOMETRIC MULTIPLIER TABLE Use to determine outputs other than -22 housing @ 830

Housing Model	CRI and Color Temp					
	827	927	830	930	835	840
22	0.95	0.81	1.00	0.86	1.05	1.07
15	0.66	0.56	0.69	0.59	0.72	0.74

WATTAGE TABLE

Housing Model	Beam Spread	
	S	N, F, W, A
22	15W	22W
15	10W	15W

VOLTA ARCHITECTURAL LED RECESSED 2"

HOUSING (Required)	Model	Trim	Power	Emergency Backup
New Construction Airtight IC 	R2RN <i>Round</i> R2RC <i>Round Chicago Plenum</i> R2SN <i>Square</i> R2SC <i>Square Chicago Plenum</i>	T Trim L Invisible Trim	15 15W IC 22 22W IC	EM Optional
Remodel Non-IC 	R2BR	T Trim	15 15W Non-IC 22 22W Non-IC	N/A

Example: **R2RNT-15** or **R2RNT-15EM** (with Emergency backup)

WOOD AND METAL CEILING ADAPTERS

Round

R2R-ADP1 1/2" to 1" ceiling thickness
(Wall wash trims 1" max ceiling thickness)

R2R-ADP2 1" to 1 1/2" ceiling thickness



Square

R2S-ADP1 1/2" to 1" ceiling thickness
(Wall wash trims 1" max ceiling thickness)

R2S-ADP2 1" to 1 1/2" ceiling thickness



FIELD CHANGEABLE GLARE CONTROL AND OPTIC SYSTEM

Accessory holder
Holds up to two lenses or one lens and one glare control

Optical cartridge
Allows tool-less exchange of reflectors

Light engine



Trim

Honeycomb Louver

Color Lens

Reflector

For narrow flood, flood, and wide flood
(Spot distribution features dedicated module)

ACCESSORY HOLDER sold separately

LENS-16-HLD

Required for use with any lens or accessory

GLARE CONTROL ACCESSORIES

LENS-16

HCM Honeycomb Louver
CRL Cross Louver

LENS ACCESSORIES

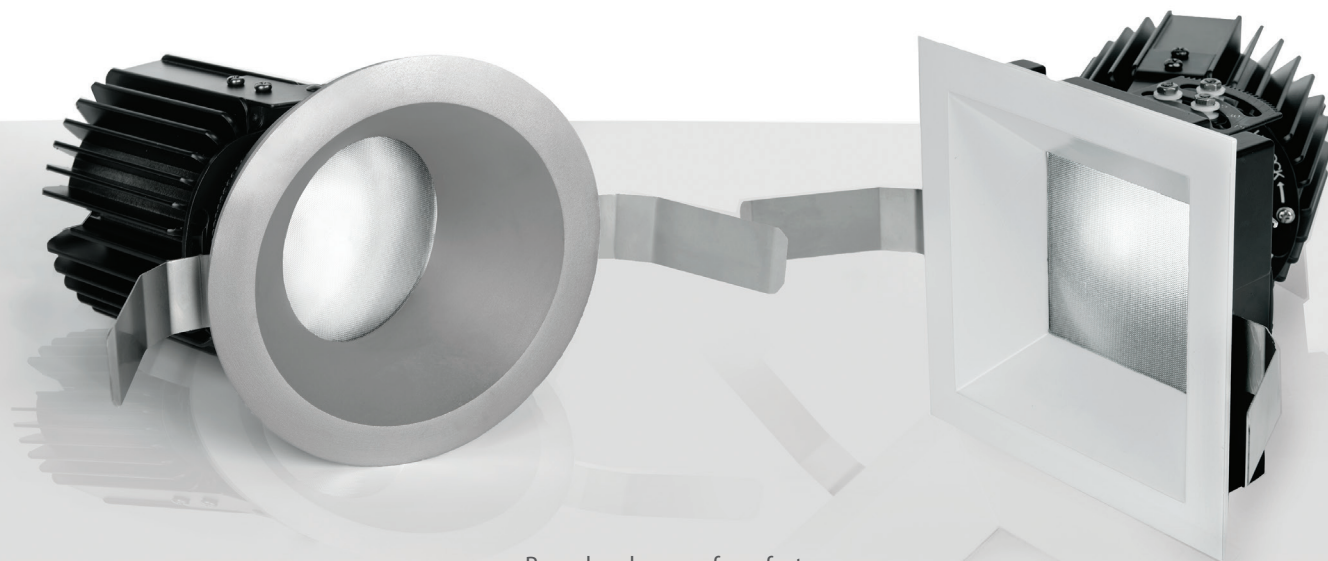
LENS-16

AMB Amber
RED Red
FR Frosted
SPR Spread
BEL Beam Elongating

INTERCHANGEABLE REFLECTORS

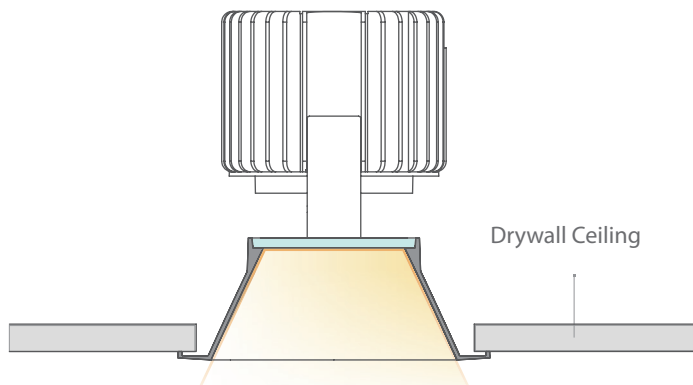
REF-R2-N Narrow Flood beam
REF-R2-F Flood beam
REF-R2-W Wide beam

VERSATILE HIGH PERFORMANCE LED RECESSED

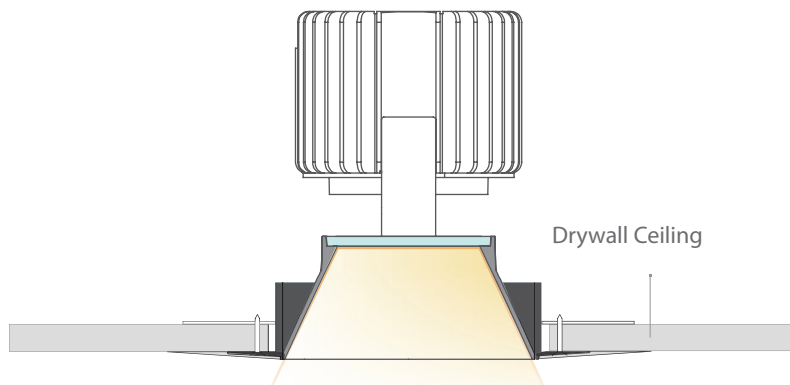


Round and square form factors
Dual finish trims are physically seamless
Die-cast self flanged aluminum construction
Choices of trims include downlights, 45° adjustable and wall wash

TRIM INSTALLATION



TRIMLESS INSTALLATION



VOLTA ARCHITECTURAL LED RECESSED 4.5"



Universal mounting bracket
(Hanger bars included)

IC/Non-IC air tight new construction housing
Optional power 34W, 23W and 15W.
Chicago Plenum and Emergency backup

Die-cast trimless spackle frame

Trim assembly includes:
light engine, optics, lensed trim
Adjustable trimless assembly shown

VOLTA ARCHITECTURAL LED RECESSED 4.5"

DOWNLIGHT



- General illumination
- Superior glare control

SHALLOW REGRESSED DOWNLIGHT

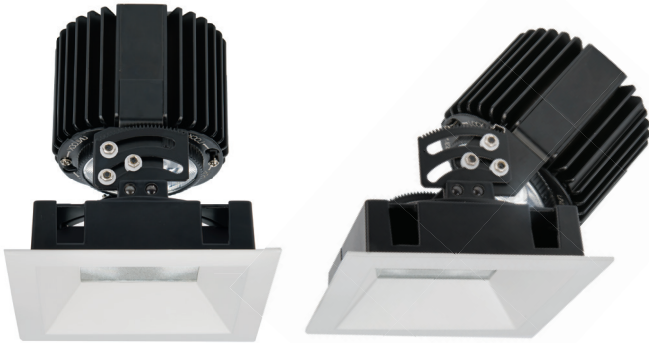


- Increased field angle for reduced scalloping
- Low ceiling and close to wall applications



VOLTA ARCHITECTURAL LED RECESSED 4.5"

ADJUSTABLE



0° position

45° position

- Center beam alignment maintained throughout adjustment range
- 0-45° vertical and 365° horizontal lockable hot aiming

PRECISION AIMING

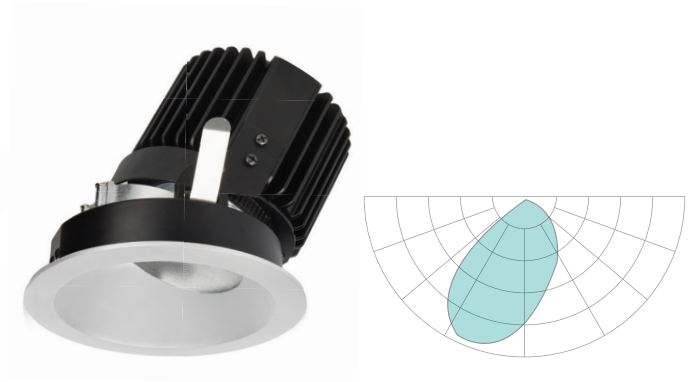


0 - 45° vertical lockable hot aiming



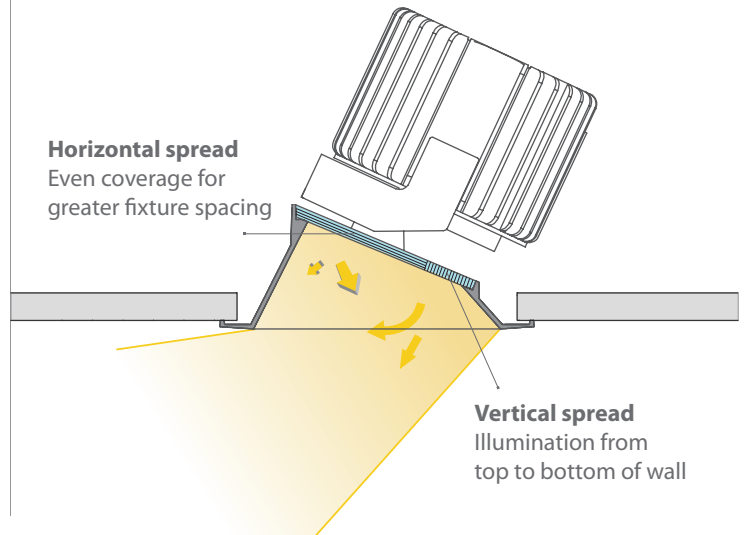
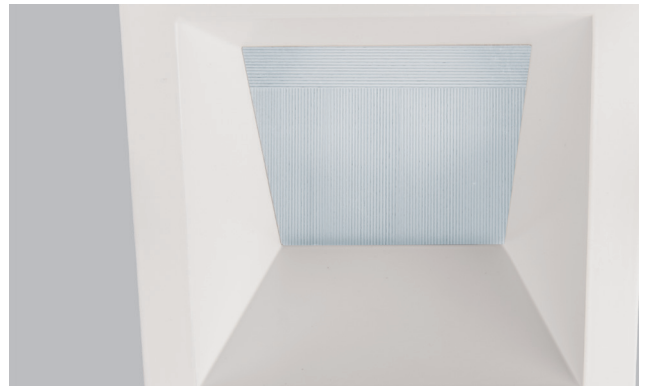
365° horizontal lockable hot aiming

WALL WASH



- Innovative bi-directional spread lens
- Engineered for even wall illumination both horizontally and vertically

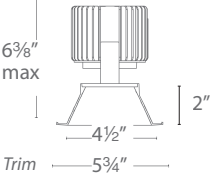
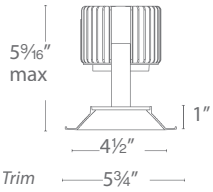
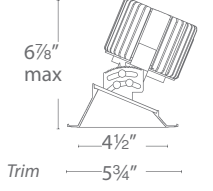
BI-DIRECTIONAL SPREAD LENS



VOLTA ARCHITECTURAL LED RECESSED 4.5"

Lumens: Up to 3620
Input: 120 -277V
Power: 15W, 23W, 34W
Comparable to: 75W HID

CRI: Up to 90
Dimming: ELV, 0-10V
Rated Life: 50,000 hours

TRIM	Model	Beam	Lumens	CBCP	-36 Housing @ 830	Color Temp	CRI	Finishes	Reflector/Trim
 <p>6 3/8" max Trim 5 3/4"</p>	R4RD2T Round Trim R4SD2T Square Trim	S 15°	Round	1405	11420	827 2700K 85 830 3000K 85 835 3500K 85 840 4000K 85 927 2700K 90 930 3000K 90	85	BK Black BKWT Black/White CB Copper Bronze HZ Haze HZWT Haze/White WT White	Reflector/Trim
			Square	1440	11985				
		N 25°	Round	3145	9615				
			Square	3350	9820				
	R4RD2L Round Trimless R4SD2L Square Trimless	F 45°	Round	3025	5005				
			Square	3200	4935				
		W 60°	Round	2895	3125				
			Square	3060	3055				
 <p>5 9/16" max Trim 5 3/4"</p>	R4RD1T Round Trim R4SD1T Square Trim	S 15°	Round	1415	11290				
			Square	1450	9650				
		N 25°	Round	3160	9655				
			Square	3385	8760				
	R4RD1L Round Trimless R4SD1L Square Trimless	F 45°	Round	3035	5070				
			Square	3290	4880				
		W 60°	Round	2925	3065				
			Square	3125	3030				
 <p>6 7/8" max Trim 5 3/4"</p>	R4RAT Round Trim R4SAT Square Trim	S 15°	Round	1215	10910				
			Square	1140	9175				
		N 25°	Round	2340	9250				
			Square	1960	8340				
	R4RAL Round Trimless R4SAL Square Trimless	F 40°	Round	2085	4720				
			Square	1770	4495				
		R4RWT Round Trim R4SWT Square Trim	A Asym	Round	1995	1470			
				Square	2405	1400			
R4RWL Round Trimless R4SWL Square Trimless	WT White		Black						
			Bronze						

Example: R4RAT-S930-BK

PHOTOMETRIC MULTIPLIER TABLE Use to determine outputs other than -36 housing @ 830

Housing Model	CRI and Color Temp					
	827	927	830	930	835	840
36	0.95	0.81	1.00	0.86	1.05	1.07
25	0.66	0.56	0.69	0.59	0.73	0.74
15	0.43	0.37	0.45	0.39	0.48	0.49

WATTAGE TABLE

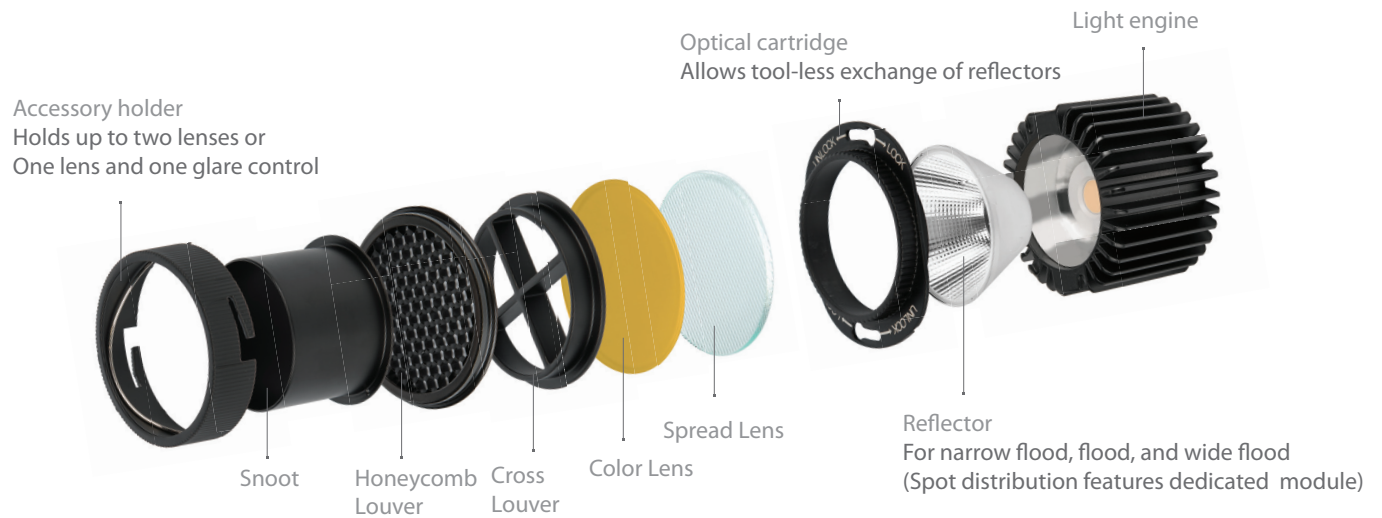
Housing Model	Beam Spread	
	S	A, N, F, W
36	22W	34W
25	15W	23W
15	10W	15W

VOLTA ARCHITECTURAL LED RECESSED 4.5"

HOUSING (Required)	Model	Trim	Power	Emergency Backup
<p>New Construction Airtight IC</p>	<p>R4RN Round R4RC Round Chicago Plenum R4SN Square R4SC Square Chicago Plenum</p>	<p>T Trim L Trimless</p>	<p>15 15W IC 25 23W IC 36 34W Non-IC</p>	<p>EM Optional</p>
<p>Remodel Non-IC</p>	<p>R4BR</p>	<p>T Trim</p>	<p>15 15W Non-IC 25 23W Non-IC 36 34W Non-IC</p>	<p>N/A</p>

Example: **R4RNT-15** or **R4RNT-15EM** (with Emergency backup)

FIELD CHANGEABLE GLARE CONTROL AND OPTIC SYSTEM



ACCESSORY HOLDER sold separately

LENS-73-HLD Required for use with any lens or accessory

GLARE CONTROL ACCESSORIES

LENS-73
HCL Honeycomb Louver
CRL Cross Louver
SNOOT Snoot

LENS ACCESSORIES

LENS-73
AMB Amber
RED Red
FR Frosted
SPR Spread
BEL Beam Elongating

INTERCHANGEABLE REFLECTORS

REF-R4-N Narrow Flood beam
REF-R4-F Flood beam
REF-R4-W Wide beam



Many LED luminaire designs within contain patent pending features.

WAC Lighting will not hesitate to enforce its intellectual property rights through injunctive relief and seek further relief through damages if it has reason to believe the patents are being infringed upon.

wacighting.com 1-800-526-2588

WAC Lighting retains the right to modify the design of our products at any time as part of the company's continuous improvement program. Please refer to our website for the latest product specifications. Copyright 2017