

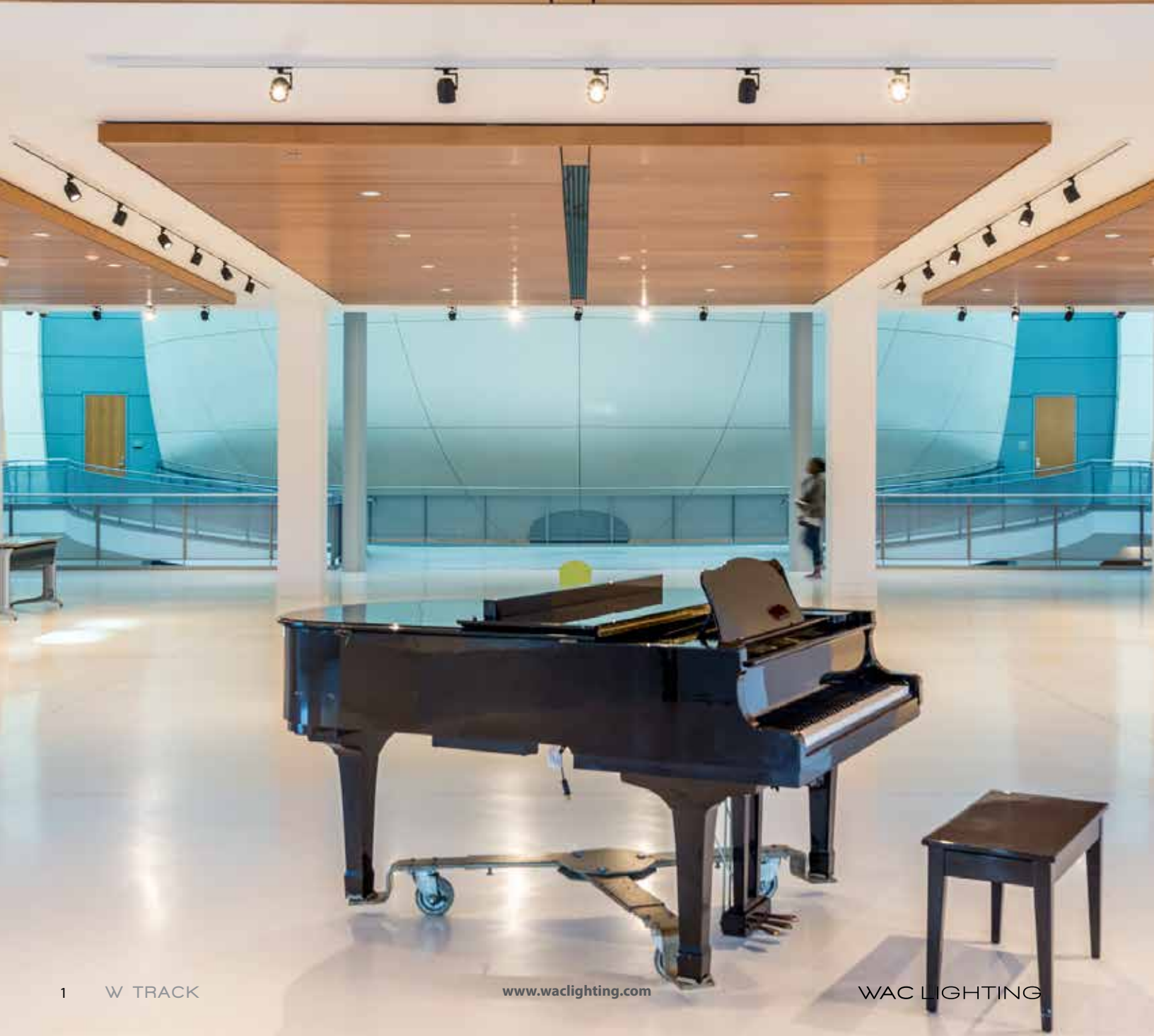
# WAC LIGHTING W TRACK



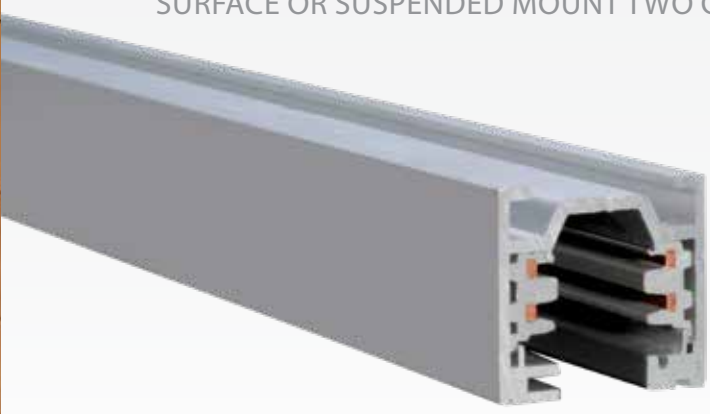
Track Lighting offers adaptability which can be configured to meet users' changing needs. WAC W track expands this flexibility with multiple voltage offerings, dual circuit capability, and various mounting options for premium integration into the architecture.

W track precision luminaires utilize the most advanced LED, driver, and optical technologies in energy efficient, robust designs. Architecturally engineered features include concealed drivers, the ability to accept lens and glare control accessories, and clean form factors, W track luminaires offer the designer numerous possibilities.

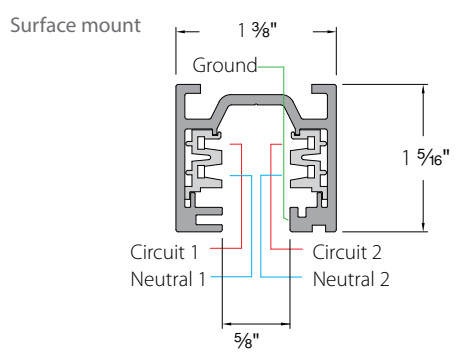
The result: Engineered Light for discriminating environments where Light Matters.



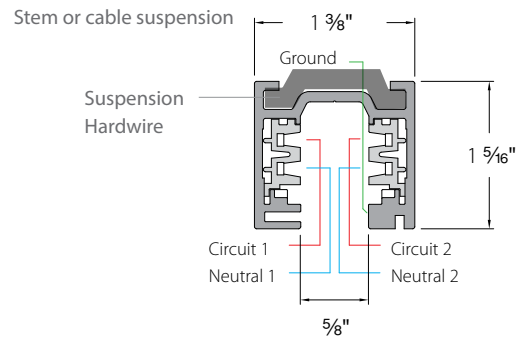
**W TRACK 120V/277V**  
 SURFACE OR SUSPENDED MOUNT TWO CIRCUIT ARCHITECTURAL TRACK



**120V**



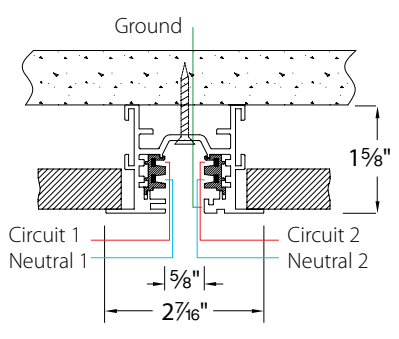
**277V**



**RECESSED MOUNT TWO CIRCUIT ARCHITECTURAL TRACK**

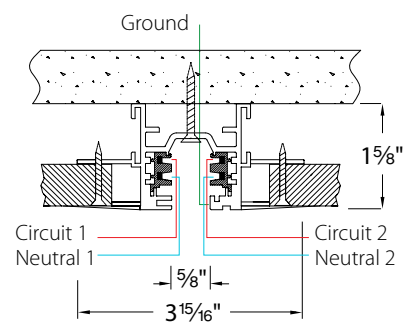
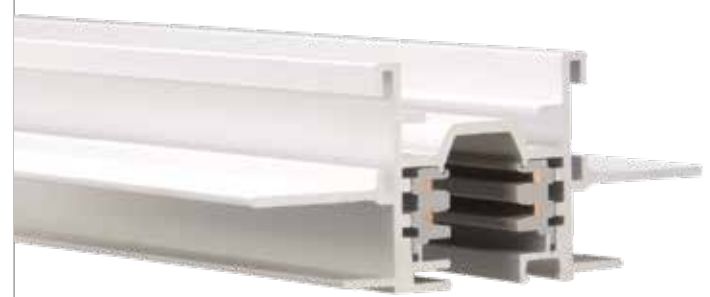
**FLANGED**

A clean 5/8" wide reveal upon recessing track into ceilings.

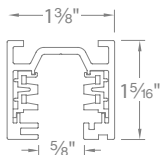


**FLANGELESS**

Designed to accommodate spackle and paint to create the illusion of a simple groove in the ceiling plane absent of track



# W TRACK 120V/277V SURFACE MOUNT TWO CIRCUIT ARCHITECTURAL TRACK



## 120V/277V TRACK SECTIONS

Model		Length	Finish
<b>WT</b>	120V	<b>4</b> 4'	<b>BK</b> Black
<b>WHT</b>	277V	<b>8</b> 8'	<b>PT</b> Platinum
		<b>12</b> 12'	<b>WT</b> White

Example: **WHT4-PT**

Each section includes two matching end caps.

### ACCESSORIES

	Model	Volt	Finish	Description
Live End Connector - Left	<b>WEDL</b> <b>WHEDL</b>	120V 277V	<b>BK</b> <b>PT</b> <b>WT</b>	Direct wiring through ceiling. Polarity on left side of track
Live End Connector - Right	<b>WEDR</b> <b>WHEDR</b>	120V 277V	<b>BK</b> <b>PT</b> <b>WT</b>	Direct wiring through ceiling. Polarity on right side of track
"I" Connector	<b>WPC</b> <b>WHPC</b>	120V 277V	<b>BK</b> <b>PT</b> <b>WT</b>	Join two sections of track with electrical continuity.
"I" Power Connector	<b>WIC</b> <b>WHIC</b>	120V 277V	<b>BK</b> <b>PT</b> <b>WT</b>	Power entry point at the connection of two tracks.
Flexible Connector	<b>WFC</b> <b>WHFC</b>	120V 277V	<b>BK</b> <b>PT</b> <b>WT</b>	Transition from wall-to-wall, wall-to-ceiling, or ceiling-to-ceiling. Power feedable.
Canopy Plate	<b>CP</b>	120V 277V	<b>BK</b> <b>PT</b> <b>WT</b>	Covers a standard 4" octagonal box.
End Cap	<b>WEC</b>	120V 277V	<b>BK</b> <b>PT</b> <b>WT</b>	

= Indicates Electrical Continuity

"L" Connector - Left	<b>WLLC</b> <b>WHLLC</b>	120V 277V	<b>BK</b> <b>PT</b> <b>WT</b>	Join 2 track sections to make power feedable 90° left polarity turns.
"L" Connector - Right	<b>WRLC</b> <b>WHRLC</b>	120V 277V	<b>BK</b> <b>PT</b> <b>WT</b>	Join 2 track sections to make power feedable 90° right polarity turns.
"T" Connector - Left	<b>WLTC</b> <b>WHLTC</b>	120V 277V	<b>BK</b> <b>PT</b> <b>WT</b>	Join 3 track sections. Power feedable. Polarity on outside edge.
"T" Connector - Right	<b>WRTC</b> <b>WHRTC</b>	120V 277V	<b>BK</b> <b>PT</b> <b>WT</b>	Join 3 track sections. Power feedable. Polarity on inside edge.
"X" Connector	<b>WXC</b> <b>WHXC</b>	120V 277V	<b>BK</b> <b>PT</b> <b>WT</b>	Join 4 track sections. Power feedable.

### SUSPENSION

	Model	Length	Finish	Description
Stem Kit With Power Feed	<b>WMSP</b>	<b>6</b> 6"	<b>BK</b> <b>PT</b> <b>WT</b>	Power feed to connect with a Live End or any Joiner/Feeder. Field cuttable.
		<b>12</b> 12"		
		<b>24</b> 24"		
		<b>36</b> 36"		
		<b>48</b> 48"		
Flexible Power Feed	<b>WMFP</b>	<b>48</b> 48"	<b>BK</b> <b>PT</b> <b>WT</b>	Flexible power feed to connect with a Live End or any Joiner/Feeder. Recommended for use with Cable Suspensions. Field cuttable.
		<b>96</b> 96"		
Pendant Stem Kit	<b>WMT-X</b>	<b>6</b> 6"	<b>BK</b> <b>PT</b> <b>WT</b>	Suspend track from the ceiling. Field cuttable.
		<b>12</b> 12"		
		<b>24</b> 24"		
		<b>36</b> 36"		
		<b>48</b> 48"		
Sloped Ceiling Stem Kit	<b>WMT</b>	<b>XS6</b> 6"	<b>BK</b> <b>PT</b> <b>WT</b>	Suspend track from a sloped ceiling. Field cuttable.
		<b>XS12</b> 12"		
		<b>XS24</b> 24"		
		<b>XS36</b> 36"		
		<b>XS48</b> 48"		
Sloped Ceiling Cable Kit	<b>WMST</b>	<b>XS48</b> 48"	<b>BK</b> <b>PT</b> <b>WT</b>	Suspend track from a sloped ceiling. Field cuttable.
		<b>XS96</b> 96"		
Suspension Cable Kit	<b>WMST-X</b>	<b>48</b> 48"	<b>BK</b> <b>PT</b> <b>WT</b>	Suspend track from the ceiling. Field cuttable.
T-Bar Suspension Cable Kit	<b>WMST-TB</b>	<b>96</b> 96"		

### SUSPENSION ACCESSORIES

	Model	Finish
"I" Power Connector Suspension Mount	<b>WMPC</b>	<b>BK</b> <b>PT</b> <b>WT</b>
Power Feed Coupler Suspension Mount Use with "I" power connector	<b>WMIC</b>	<b>BK</b> <b>PT</b> <b>WT</b>
Live End Suspension Mount	<b>WMED</b>	<b>BK</b> <b>PT</b> <b>WT</b>
"L" Connector Suspension Mount	<b>WMLC</b>	<b>BK</b> <b>PT</b> <b>WT</b>
"T" Connector Suspension Mount	<b>WMTC</b>	<b>BK</b> <b>PT</b> <b>WT</b>
"X" Connector Suspension Mount	<b>WMXC</b>	<b>BK</b> <b>PT</b> <b>WT</b>
Suspension Hanger Clip	<b>WMT</b>	<b>BK</b> <b>PT</b> <b>WT</b>

# W TRACK 120V/277V DESIGN GUIDELINES

## 120V W TRACK

	Model		Rating	Circuit Breaker	Finish
Live end (Left)	<b>WEDL</b>	Surface Mount	<b>1/5A</b> 2 X 0.2Amp <b>1/2A</b> 2 X 0.5Amp <b>1A</b> 2 X 1 Amp <b>2A</b> 2 X 2.5Amp <b>5A</b> 2 X 5 Amp <b>7A</b> 2 X 7.5Amp		<b>BK</b> <b>PT</b> <b>WT</b>
	<b>WEDL-RT</b>	Recessed Flanged			
	<b>WEDL-RTL</b>	Recessed Flangeless			
Live end (Right)	<b>WEDR</b>	Surface Mount			
	<b>WEDR-RT</b>	Recessed Flanged			
	<b>WEDR-RTL</b>	Recessed Flangeless			

Example: **WEDL-1/5A-BK**

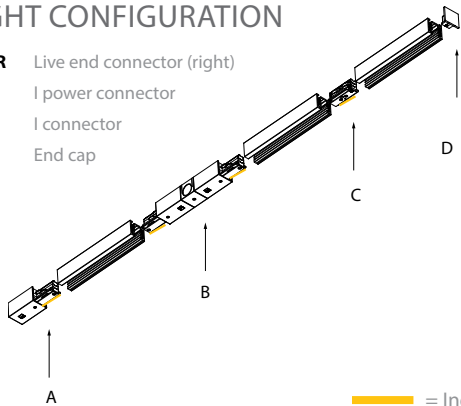
## 277V W TRACK

	Model		Rating	Circuit Breaker	Finish
Live end (Left)	<b>WHEDL</b>	Surface Mount	<b>1A</b>	2 X 1 Amp	<b>BK</b> <b>PT</b> <b>WT</b>
			<b>2A</b>	2 X 2.5Amp	
Live end (Right)	<b>WHEDR</b>	Surface Mount	<b>5A</b>	2 X 5 Amp	
			<b>7A</b>	2 X 7.5Amp	
			<b>10A</b>	2 X 10Amp	

Example: **WHEDL-1A-BK**

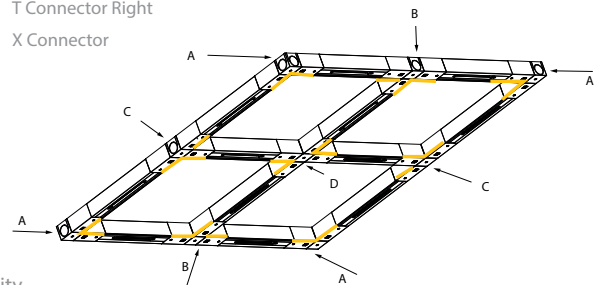
## STRAIGHT CONFIGURATION

- A **WEDR** Live end connector (right)
- B **WIC** I power connector
- C **WPC** I connector
- D **WEC** End cap



## GRID CONFIGURATION

- A **WLLC** L Connector Left
- B **WLTC** T Connector Left
- C **WRTC** T Connector Right
- D **WXC** X Connector

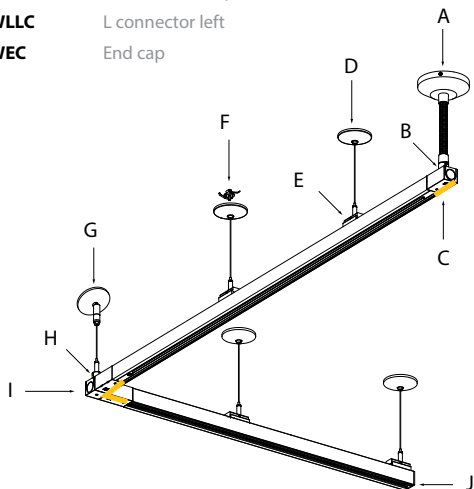


= Indicates Electrical Continuity

## CABLE SUSPENSION MOUNT

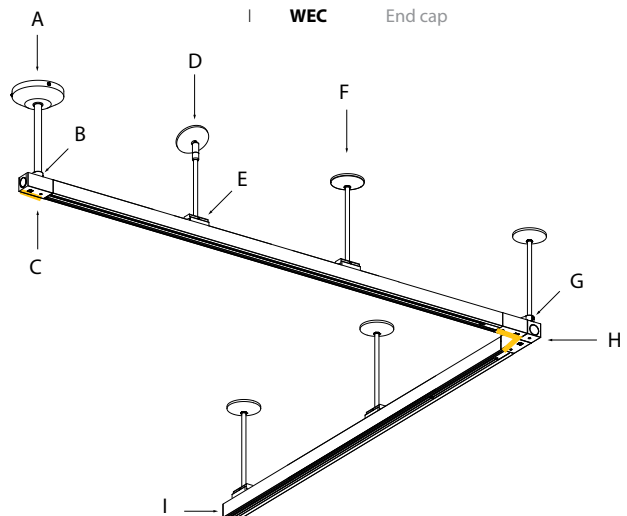
Use one support for every 4 feet

- A **WMFP** Flexible Stem kit with power feed
- B **WMED** Live end suspension mount
- C **WEDL** Live end connector (left)
- D **WMST-X** Cable suspension kit
- E **WMT** Suspension hanger clip
- F **WMST-TB** T bar cable suspension kit
- G **WMST-XS** Sloped ceiling cable kit
- H **WMLC** L connector suspension mount
- I **WLLC** L connector left
- J **WEC** End cap



## STEM SUSPENSION MOUNT

- A **WMSP** Stem kit with power feed
- B **WMED** Live end suspension mount
- C **WEDR** Live end connector (right)
- D **WMT-XS** Sloped ceiling stem kit
- E **WMT** Suspension hanger clip
- F **WMT-X** Stem kit
- G **WMLC** L connector suspension mount
- H **WLLC** L connector left
- I **WEC** End cap



## PREMIUM LED LUMINAIRES

Museum-quality LED luminaires with high performance reflector optics and recessed drivers

- Die-cast aluminum construction
- Up to 100,000 hours of rated life
- Accommodates lens and glare control accessories.



Recessed Driver Hidden Within W Track.

Shown with W Track Cover



Accommodates 1 filter lens and 1 accessory  
Color Lenses, Filter Lenses, and Beam Control

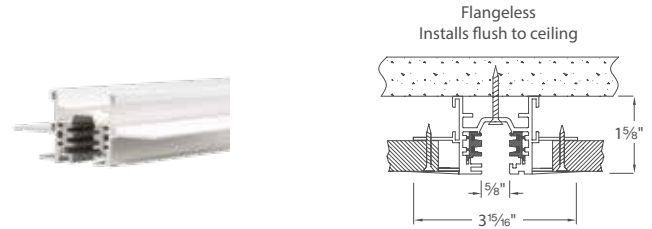
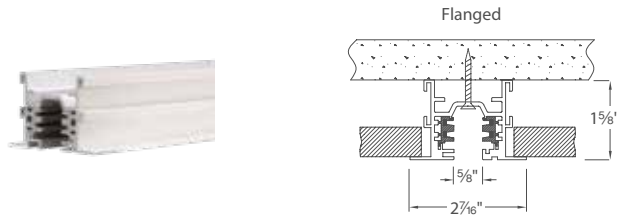
## W TRACK COVER

8 Foot track cover that fits any W track section.

Can be field cut to match the length of the gap, and painted over to match the color of the surroundings.

System	Model	Finish
 <p>WTrack</p>	<b>W8-COV-WT</b>	White 

# RECESSED W TRACK RECESSED MOUNTED TWO CIRCUIT ARCHITECTURAL TRACK



## FLANGED TRACK SECTIONS

Model	Length	Track Type	Finish
<b>WT</b> 120V	<b>4</b> 4'	<b>RT</b> Flanged	<b>BK</b> Black
	<b>8</b> 8'		<b>PT</b> Platinum
	<b>12</b> 12'		<b>WT</b> White

Example: **WT8-RT-WT**

Each section includes two matching end caps.

## FLANGELESS TRACK SECTIONS

Model	Length	Track Type	Finish
<b>WT</b> 120V	<b>4</b> 4'	<b>RTL</b> Flangeless	<b>BK</b> Black
	<b>8</b> 8'		<b>PT</b> Platinum
	<b>12</b> 12'		<b>WT</b> White

Example: **WT8-RTL-WT**

Each section includes two matching end caps.

= Indicates Electrical Continuity

Accessories	Flanged	Flangeless	Model	Voltage	Flanged/Flangeless	Finish	Description
Live End Connector – Left			<b>WEDL</b>	120V	<b>RT</b> Flanged <b>RTL</b> Flangeless	<b>BK</b> <b>PT</b> <b>WT</b>	Use for direct wiring through ceiling.
Live End Connector – Right			<b>WEDR</b>	120V			
"I" Connector			<b>WPC</b>	120V	<b>RT</b> Flanged / Flangeless	<b>BK</b> <b>PT</b> <b>WT</b>	Use to join two sections of track with electrical continuity.
"I" Power Connector			<b>WIC</b>	120V	<b>RT</b> Flanged <b>RTL</b> Flangeless	<b>BK</b> <b>PT</b> <b>WT</b>	Power entry point at the connection of two tracks.
"L" Connector – Left			<b>WLLC</b>	120V	<b>RT</b> Flanged <b>RTL</b> Flangeless	<b>BK</b> <b>PT</b> <b>WT</b>	Use to join 2 track sections to make power feedable 90° left polarity turns.
"L" Connector – Right			<b>WRLC</b>	120V			Use to join 2 track sections to make a power feedable 90° right polarity turns.
"T" Connector – Left			<b>WLTC</b>	120V	<b>RT</b> Flanged <b>RTL</b> Flangeless	<b>BK</b> <b>PT</b> <b>WT</b>	Use to join 3 track sections. Power feedable. Polarity on outside edge.
"T" Connector – Right			<b>WRTC</b>	120V			Use to join 3 track sections. Power feedable. Polarity on inside edge.
"X" Connector			<b>WXC</b>	120V	<b>RT</b> Flanged <b>RTL</b> Flangeless	<b>BK</b> <b>PT</b> <b>WT</b>	Use to join 4 track sections. Power feedable.
Suspension Hanger Clip			<b>WMT</b>	120V	<b>RT</b> Flanged / Flangeless		To suspend the track to superstructure. Without power feed.
End Cap			<b>WEC</b>	120V	<b>RT</b> Flanged / Flangeless	<b>BK</b> <b>PT</b> <b>WT</b>	



Driver hidden in W Track Channel



Monopoint Available



Sculpture accented with one WTK-6010U fixture illuminated with a 6° spot from 6 feet away

## LUCIO 6010 LED

**Power:** 10W  
**Delivered Lumens:** Up to 985  
**Comparable to:** 75W MR16  
**Dimming:** 100% - 5% ELV  
**Input:** 120V, 277V  
**Rated Life:** 50,000 hours

- Accommodates 1 lens and 1 glare control accessory
- 365° horizontal aiming and 90° indexed vertical aiming
- Integral selector to choose between independently controllable track circuits
- CBCP intensive ultra spot, (6010U model)
- Asymmetrical beam distribution, (6010A model)

Track	Model	Beam	Color Temp	CRI	Lumens Up to	CBCP Up to	Finish				
<p><b>WTK/WHK-6010-U,A</b></p>	<b>WTK</b>	<b>120V</b>	<b>6010</b>	<b>U</b>	<b>6°</b>	<b>827</b>	<b>2700K</b>	<b>85</b>	<b>985</b>	<b>39,695</b>	<b>BK</b> Black <b>PT</b> Platinum <b>WT</b> White
<b>N</b>	<b>25°</b>	<b>835</b>	<b>3500K</b>	<b>85</b>							
					<b>F</b>	<b>35°</b>	<b>840</b>	<b>4000K</b>	<b>85</b>		
<b>A</b>	<b>ASY</b>	<b>927</b>	<b>2700K</b>	<b>90</b>							
					<b>930</b>	<b>3000K</b>	<b>90</b>				
<p><b>WTK/WHK-6010-S,N,F</b></p>	<b>WTK</b>	<b>277V</b>	<b>6010</b>	<b>S</b>				<b>18°</b>	<b>830</b>	<b>3000K</b>	<b>85</b>
					<b>N</b>	<b>25°</b>	<b>835</b>				
<b>F</b>	<b>35°</b>	<b>840</b>	<b>4000K</b>	<b>85</b>							
					<b>A</b>	<b>ASY</b>	<b>927</b>	<b>2700K</b>	<b>90</b>		
<b>930</b>	<b>3000K</b>	<b>90</b>									
			<p><b>MO Monopoint</b></p>	<b>MO</b>	<b>Monopoint</b>	<b>6010</b>	<b>U</b>	<b>6°</b>	<b>827</b>	<b>2700K</b>	<b>85</b>
<b>S</b>	<b>18°</b>	<b>830</b>									
			<b>N</b>	<b>25°</b>	<b>835</b>	<b>3500K</b>	<b>85</b>				
<b>F</b>	<b>35°</b>	<b>840</b>						<b>4000K</b>	<b>85</b>		
			<b>A</b>	<b>ASY</b>	<b>927</b>	<b>2700K</b>	<b>90</b>				
<b>930</b>	<b>3000K</b>	<b>90</b>									

Example: **WTK-6010U-930-WT**

### LENS ACCESSORIES

Amber	<b>LENS-16-AMB</b>	Frosted	<b>LENS-16-FR</b>
Blue	<b>LENS-16-BLU</b>	Spread	<b>LENS-16-SPR</b>
Green	<b>LENS-16-GRN</b>	Beam	<b>LENS-16-BEL</b>
Red	<b>LENS-16-RED</b>	Elongating	

	<b>LENS-16-FR</b>
	<b>LENS-16-SPR</b>
	<b>LENS-16-BEL</b>

### GLARE CONTROL ACCESSORIES

Cross Louver	<b>LENS-16P-CRL</b>	<b>BK</b> <b>PT</b> <b>WT</b>
Snoot	<b>LENS-16-SNOOT</b>	

### MONOPOINT EXTENSIONS Order as a complete unit

<b>X6</b>	6"	<b>MO6010</b>	<b>U</b> <b>S</b> <b>N</b> <b>F</b> <b>A</b>	<b>827</b> <b>830</b> <b>835</b> <b>840</b> <b>927</b> <b>930</b>	<b>BK</b> <b>WT</b>	<p>Extension 5"</p>
<b>X12</b>	12"					
<b>X18</b>	18"					
<b>X24</b>	24"					
<b>X36</b>	36"					
<b>X48</b>	48"					

Accommodates one lens accessory and one glare control accessory

Example: **X12-MO6010S830WT**





Driver hidden in W Track Channel



Monopoint Available



12ft wall illuminated with two WTK-6022A fixtures spaced 3 feet apart and 3 feet away from wall

## LUCIO 6022 LED

**Power:** 22W  
**Delivered Lumens:** Up to 1890  
**Comparable to:** 39W HID  
**Dimming:** 100% - 5% ELV  
**Input:** 120V, 277V  
**Rated Life:** 50,000 hours

- Accommodates 1 lens and 1 glare control accessory
- 365° horizontal aiming and 90° indexed vertical aiming
- Integral selector to choose between independently controllable track circuits
- CBCP intensive ultra spot, (6022U model)
- Asymmetrical beam distribution, (6022A model)

Track	Model	Beam	Color Temp	CRI	Lumens Up to	CBCP Up to	Finish
<p><b>WTK</b> <b>WHK</b></p> <p>120V 277V</p>	<b>6022</b>	<b>U</b> 8°	<b>827</b> 2700K	85	1890	35,930	<b>BK</b> Black <b>PT</b> Platinum <b>WT</b> White
		<b>S</b> 12°	<b>830</b> 3000K	85			
		<b>N</b> 20°	<b>835</b> 3500K	85			
		<b>F</b> 35°	<b>840</b> 4000K	85			
		<b>A</b> ASY	<b>927</b> 2700K	90			
			<b>930</b> 3000K	90			
<p><b>MO</b> Monopoint</p>	<b>6022</b>	<b>U</b> 8°	<b>827</b> 2700K	85	1890	35,930	<b>BK</b> Black <b>WT</b> White
		<b>S</b> 12°	<b>830</b> 3000K	85			
		<b>N</b> 20°	<b>835</b> 3500K	85			
		<b>F</b> 35°	<b>840</b> 4000K	85			
		<b>A</b> ASY	<b>927</b> 2700K	90			
			<b>930</b> 3000K	90			

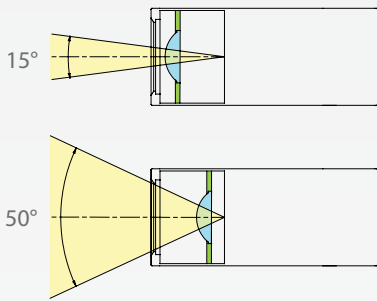
Example: **WTK-6022A-827-PT**

LENS ACCESSORIES		GLARE CONTROL ACCESSORIES		MONOPOINT EXTENSIONS Order as a complete unit		
Amber Blue Green Red	<b>LENS-25-AMB</b> <b>LENS-25-BLU</b> <b>LENS-25-GRN</b> <b>LENS-25-RED</b>	Frosted Spread Beam Elongating	<b>LENS-25-FR</b> <b>LENS-25-SPR</b> <b>LENS-25-BEL</b>	Cross Louver Snoot	<b>LENS-25P-CRL</b> <b>LENS-25-SNOOT</b>	<p>Extension 7 7/8"</p>
					<b>X6</b> 6" <b>X12</b> 12" <b>X18</b> 18" <b>X24</b> 24" <b>X36</b> 36" <b>X48</b> 48"	

Accommodates one lens accessory and one glare control accessory

Example: **X12-MO6022F930WT**

Adjustable between 15° - 50°



Beam alignment indicator



Monopoint available

Optional Focusing Framing Projector Accessory **FP-K**

- Dual adjustable optical lenses precision focus light for crisp illumination
- Adjustable framing shims create a feature accenting, rectangular pattern of illumination



without Framing Projector



with Framing Projector

## PALOMA LED 4023 ADJUSTABLE BEAM

**Power:** 23W  
**Input:** 120V, 277V  
**Comparable to:** 20W HID  
**Dimming:** 100%-5% ELV & TRIAC (120V only)  
**Rated Life:** 50,000 hours

### Museum-quality LED luminaire with adjustable beam angle

- Continuously adjustable beam angle between 15° - 50°
- Die-cast aluminum construction with rotatable front face
- Stealth armature with 365° horizontal rotation and 90° vertical aiming
- Patents Pending
- UL & cUL Listed

TITLE 24  
CALIFORNIA

System		Model	Color Temp	CRI	Beam	Max Lumens	Max CBCP	Finish
	<b>WTK</b> W Track 120V	<b>4023</b>	<b>827</b> 2700K	85	15°	985	5265	<b>BK</b> Black
	<b>WHK</b> W Track 277V		<b>830</b> 3000K	85				<b>PT</b> Platinum
			<b>835</b> 3500K	85				<b>WT</b> White
			<b>840</b> 4000K	85				
			<b>927</b> 2700K	90				
			<b>930</b> 3000K	90				
	<b>MO</b> Monopoint	<b>4023</b>	<b>827</b> 2700K	85	15°	985	5265	<b>BK</b> Black
			<b>830</b> 3000K	85				<b>WT</b> White
			<b>835</b> 3500K	85				
			<b>840</b> 4000K	85				
			<b>927</b> 2700K	90				
			<b>930</b> 3000K	90				

Example: **WTK-4023-930-BK**

Accommodates one lens accessory and one glare control accessory

### LENS ACCESSORIES

Amber	<b>LENS-16-AMB</b>
Blue	<b>LENS-16-BLU</b>
Green	<b>LENS-16-GRN</b>
Red	<b>LENS-16-RED</b>
Frosted	<b>LENS-16-FR</b>
Spread	<b>LENS-16-SPR</b>
Beam Elongating	<b>LENS-16-BEL</b>

### GLARE CONTROL ACCESSORIES

Cross Louver	<b>LENS-16P-CRL-BK</b> <b>LENS-16P-CRL-PT</b> <b>LENS-16P-CRL-WT</b>
Snoot	<b>LENS-16-SNOOT-BK</b> <b>LENS-16-SNOOT-PT</b> <b>LENS-16-SNOOT-WT</b>
Honeycomb Louver	<b>LENS-16-HCL</b>

### FRAMING PROJECTOR ACCESSORIES

Framing Projector	<b>FP-K-BK</b> <b>FP-K-WT</b>
-------------------	----------------------------------

### MONOPOINT EXTENSIONS Custom order as a complete unit

<b>X6</b> 6"	<b>MO4023</b>	<b>BK</b> <b>WT</b>	<b>827</b>	
<b>X12</b> 12"			<b>927</b>	
<b>X18</b> 18"			<b>830</b>	
<b>X24</b> 24"			<b>930</b>	
<b>X36</b> 36"			<b>835</b>	
<b>X48</b> 48"			<b>840</b>	

Example: **X6-MO4023930WT**

# PALOMA LED512

Power: 9.5W  
 Input: 120V, 277V  
 Comparable: 50W MR16  
 ELV Dimming: 100%-10% (120V only)  
 Rated Life: 50,000 hours



System	Model	Beam	Color Temp	CRI	Lumen	CBCP	Finish
	<b>WTK</b> W Track 120V <b>WHK</b> W Track 277V	<b>LED512</b> S 19° N 24° F 36°	<b>27</b> 2700K 85 <b>30</b> 3000K 85 <b>35</b> 3500K 85 <b>40</b> 4000K 85	Up to 920 Up to 4089	Up to 920 Up to 4089	<b>BK</b> Black <b>PT</b> Platinum <b>WT</b> White	
			<b>927</b> 2700K 90 <b>930</b> 3000K 90				
	<b>MO</b> Monopoint	<b>LED512</b> S 19° N 24° F 36°	<b>27</b> 2700K 85 <b>30</b> 3000K 85 <b>35</b> 3500K 85 <b>40</b> 4000K 85	Up to 920 Up to 4089	Up to 920 Up to 4089	<b>BK</b> Black <b>WT</b> White	
<b>927</b> 2700K 90 <b>930</b> 3000K 90							

Example: **WTK-LED512S-27-BK**

## LENSES AND ACCESSORIES (ORDER SEPARATELY)

Amber	<b>LENS-16-AMB</b>	Spread Lens Beam Elongating Honeycomb	<b>LENS-16-SPR</b> <b>LENS-16-BEL</b> <b>LENS-16-HCL</b>
Blue	<b>LENS-16-BLU</b>		
Green	<b>LENS-16-GRN</b>		
Red	<b>LENS-16-RED</b>		
Frosted Lens	<b>LENS-16-FR</b>		

## MONOPOINT EXTENSIONS Order as a complete unit.

<b>X6</b> 6"	<b>MOLED512</b>	<b>S</b> <b>N</b> <b>F</b>	<b>827</b>	
<b>X12</b> 12"			<b>927</b>	
<b>X18</b> 18"			<b>830</b>	
<b>X24</b> 24"			<b>930</b>	
<b>X36</b> 36"			<b>835</b>	
<b>X48</b> 48"			<b>840</b>	
			<b>BK</b> <b>WT</b>	

Example: **X12-MOLED512N930WT**

# PALOMA LED522

Power: 22W  
 Input: 120V, 277V  
 Comparable: 75W MR16  
 ELV dimming: 100%-10% (120V only)  
 Rated Life: 50,000 hours



System	Model	Beam	Color Temp	CRI	Lumen	CBCP	Finish
	<b>WTK</b> W Track 120V <b>WHK</b> W Track 277V	<b>LED522</b> S 19° N 24° F 36°	<b>27</b> 2700K 85 <b>30</b> 3000K 85 <b>35</b> 3500K 85 <b>40</b> 4000K 85	Up to 1765 Up to 8257	Up to 1765 Up to 8257	<b>BK</b> Black <b>PT</b> Platinum <b>WT</b> White	
			<b>927</b> 2700K 90 <b>930</b> 3000K 90				
	<b>MO</b> Monopoint	<b>LED522</b> S 19° N 24° F 36°	<b>27</b> 2700K 85 <b>30</b> 3000K 85 <b>35</b> 3500K 85 <b>40</b> 4000K 85	Up to 1765 Up to 8257	Up to 1765 Up to 8257	<b>BK</b> Black <b>WT</b> White	
<b>927</b> 2700K 90 <b>930</b> 3000K 90							

Example: **WTK-LED522S-30-WT**

## LENSES AND ACCESSORIES (ORDER SEPARATELY)

Amber	<b>LENS-20-AMB</b>	Spread Lens Beam Elongating Honeycomb	<b>LENS-20-SPR</b> <b>LENS-20-BEL</b> <b>LENS-20-HCL</b>
Blue	<b>LENS-20-BLU</b>		
Green	<b>LENS-20-GRN</b>		
Red	<b>LENS-20-RED</b>		
Frosted Lens	<b>LENS-20-FR</b>		

## MONOPOINT EXTENSIONS Order as a complete unit.

<b>X6</b> 6"	<b>MOLED522</b>	<b>S</b> <b>N</b> <b>F</b>	<b>827</b>	
<b>X12</b> 12"			<b>927</b>	
<b>X18</b> 18"			<b>830</b>	
<b>X24</b> 24"			<b>930</b>	
<b>X36</b> 36"			<b>835</b>	
<b>X48</b> 48"			<b>840</b>	
			<b>BK</b> <b>WT</b>	

Example: **X12-MOLED522N930WT**



## EXTERMINATOR II 1014

Power: 14W  
 Input: 120V  
 Comparable: 20W HID  
 ELV Dimming: 100% - 5%  
 Rated Life: 100,000 hours

- Accommodates one lens accessory and one glare control accessory
- Reflectors and LED modules can be purchased separately for alternative beam angles and color temperatures
- 365° horizontal rotation and 180° vertical aiming
- UL & cUL Listed

System	Model	Color Temp	CRI	Max Lumens	Max CBCP	Finish
<p><b>WTK</b> W Track 120V</p>	<b>1014</b>	<b>N</b>	20° 40°	<b>827</b> 2700K 85	965 980	4585 2117
		<b>F</b>		<b>830</b> 3000K 85		
				<b>835</b> 3500K 85		
				<b>840</b> 4000K 85		
				<b>927</b> 2700K 90		
		<b>930</b> 3000K 90				
<p><b>MO</b> Monopoint</p>	<b>1014</b>	<b>N</b>	20° 40°	<b>827</b> 2700K 85	965 980	4585 2117
		<b>F</b>		<b>830</b> 3000K 85		
				<b>835</b> 3500K 85		
				<b>840</b> 4000K 85		
				<b>927</b> 2700K 90		
		<b>930</b> 3000K 90				

Example: **WTK-1014N-927-PT**

### LENS ACCESSORIES

Amber	<b>LENS-11-AMB</b>
Blue	<b>LENS-11-BLU</b>
Green	<b>LENS-11-GRN</b>
Red	<b>LENS-11-RED</b>
Frosted	<b>LENS-11-FR</b>
Spread	<b>LENS-11-SPR</b>
Beam Elongating	<b>LENS-11-BEL</b>

### GLARE CONTROL ACCESSORIES

Snoot	<b>LENS-11-SNOOT-BK</b> <b>LENS-11-SNOOT-PT</b> <b>LENS-11-SNOOT-WT</b>
Cross Louver	<b>LENS-11P-CRL-BK</b> <b>LENS-11P-CRL-PT</b> <b>LENS-11P-CRL-WT</b>

### REFLECTORS

20° **SL-REF-CXA1310-N**  
 40° **SL-REF-CXA1310-F**

### MONOPOINT EXTENSIONS Order as a complete unit.

Extension	Model	Color Temp	CRI	Max Lumens	Max CBCP	Finish
	<b>MO1014</b>	<b>N</b> <b>F</b>	<b>BK</b> <b>WT</b>	<b>827</b>	965 980	4585 2117
				<b>830</b>		
				<b>835</b>		
				<b>840</b>		
				<b>927</b>		
				<b>930</b>		

Example: **X12-MO1014N930WT**



## EXTERMINATOR II 1023

**Power:** 22W  
**Input:** 120V, 277V  
**Comparable:** 39W HID  
**ELV Dimming:** 100% - 5%  
**Rated Life:** 50,000 hours

- Accommodates one lens and one glare control accessory
- Reflectors and LED modules can be purchased separately for alternative beam angles and color temperatures
- 365° horizontal rotation and 180° vertical aiming
- UL & cUL Listed

System	Model	Color Temp	CRI	Max Lumens	Max CBCP	Finish
<p><b>WTK WHK</b> W Track 120V W Track 277V</p>	<b>1023</b>	<b>827</b> 2700K 85	<b>N</b> 18° <b>F</b> 38°	2030 1955	11530 4810	<b>BK</b> Black
		<b>830</b> 3000K 85				<b>PT</b> Platinum
		<b>835</b> 3500K 85				<b>WT</b> White
		<b>840</b> 4000K 85				
		<b>927</b> 2700K 90				
		<b>930</b> 3000K 90				
<p><b>MO</b> Monopoint</p>	<b>1023</b>	<b>827</b> 2700K 85	<b>N</b> 18° <b>F</b> 38°	2030 1955	11530 4810	<b>BK</b> Black
		<b>830</b> 3000K 85				<b>WT</b> White
		<b>835</b> 3500K 85				
		<b>840</b> 4000K 85				
		<b>927</b> 2700K 90				
		<b>930</b> 3000K 90				

Example: **WTK-1023F-930-WT**

### FLAT LENS ACCESSORIES

Amber	<b>LENS-16-AMB</b>
Blue	<b>LENS-16-BLU</b>
Green	<b>LENS-16-GRN</b>
Red	<b>LENS-16-RED</b>
Frosted	<b>LENS-16-FR</b>
Spread	<b>LENS-16-SPR</b>
Beam Elongating	<b>LENS-16-BEL</b>

### GLARE CONTROL ACCESSORIES

Snoot	<b>LENS-16-SNOOT-BK</b> <b>LENS-16-SNOOT-PT</b> <b>LENS-16-SNOOT-WT</b>
Cross Louver	<b>LENS-16P-CRL-BK</b> <b>LENS-16P-CRL-PT</b> <b>LENS-16P-CRL-WT</b>

### REFLECTORS

18°	<b>RF-S</b>
38°	<b>RF-F</b>

### MONOPOINT EXTENSIONS Order as a complete unit.

<b>X6</b> 6"	<b>MO1023</b>	<b>N</b> <b>F</b>	<b>827</b>	<b>BK</b> <b>WT</b>	
<b>X12</b> 12"			<b>830</b>		
<b>X18</b> 18"			<b>835</b>		
<b>X24</b> 24"			<b>840</b>		
<b>X36</b> 36"			<b>927</b>		
<b>X48</b> 48"			<b>930</b>		

Example: **X12-MO1023N930WT**



## EXTERMINATOR II 1035



**Power:** 35W  
**Input:** 120V, 277V  
**Comparable:** 50W HID  
**ELV Dimming:** 100% - 5%  
**Rated Life:** 60,000 hours

- Accommodates one lens accessory and one glare control accessory
- Reflectors and LED modules can be purchased separately for alternative beam angles and color temperatures
- 365° horizontal rotation and 180° vertical aiming
- UL & cUL Listed

System	Model	Color Temp	CRI	Max Lumens	Max CBCP	Finish		
<p><b>WTK</b> WTrack 120V <b>WHK</b> W Track 277V</p>	<b>1035</b>	<b>N</b> 25°	<b>827</b> 2700K 85 <b>830</b> 3000K 85 <b>835</b> 3500K 85 <b>840</b> 4000K 85	2795	9748	<b>BK</b> Black <b>PT</b> Platinum <b>WT</b> White		
		<b>F</b> 55°	<b>927</b> 2700K 90 <b>930</b> 3000K 90			2828	3886	
		<p><b>MO</b> Monopoint</p>	<b>1035</b>	<b>N</b> 25°	<b>827</b> 2700K 85 <b>830</b> 3000K 85 <b>835</b> 3500K 85 <b>840</b> 4000K 85			2795
				<b>F</b> 55°	<b>927</b> 2700K 90 <b>930</b> 3000K 90	2828	3886	

Example: **WHK-1035F-830-BK**

### LENS ACCESSORIES

Amber **LENS-20-AMB**  
 Blue **LENS-20-BLU**  
 Green **LENS-20-GRN**  
 Red **LENS-20-RED**  
 Frosted **LENS-20-FR**  
 Spread **LENS-20-SPR**  
 Beam Elongating **LENS-20-BEL**

### GLARE CONTROL ACCESSORIES

Snoot **LENS-20-SNOOT-BK**  
**LENS-20-SNOOT-PT**  
**LENS-20-SNOOT-WT**  
  
 Cross Louver **LENS-20P-CRL-BK**  
**LENS-20P-CRL-PT**  
**LENS-20P-CRL-WT**

### REFLECTORS

25° **SL-REF-BL18-N**  
 55° **SL-REF-BL18-F**



## EXTERMINATOR II 1052

**Power:** 52W  
**Input:** 120V, 277V  
**Comparable:** 70WHID  
**ELV Dimming:** 100% - 5%  
**Rated Life:** 80,000 hours

- Accommodates one lens accessory and one glare control accessory
- Reflectors and LED modules can be purchased separately for alternative beam angles and color temperatures
- 365° horizontal rotation and 180° vertical aiming
- UL & cUL Listed

System	Model	Color Temp	CRI	Max Lumens	Max CBCP	Finish					
<p><b>WTK</b> W Track 120V <b>WHK</b> W Track 277V</p>	<b>1052</b>	<b>N</b> 25°	<b>827</b> 2700K 85 <b>830</b> 3000K 85 <b>835</b> 3500K 85 <b>840</b> 4000K 85	4237 3910	15970 1640	<b>BK</b> Black <b>PT</b> Platinum <b>WT</b> White					
		<b>F</b> 55°	<b>927</b> 2700K 90 <b>930</b> 3000K 90								
		<p><b>MO</b> Monopoint</p>	<b>1052</b>				<b>N</b> 25°	<b>827</b> 2700K 85 <b>830</b> 3000K 85 <b>835</b> 3500K 85 <b>840</b> 4000K 85	4237 3910	15970 1640	<b>BK</b> Black <b>WT</b> White
							<b>F</b> 55°	<b>927</b> 2700K 90 <b>930</b> 3000K 90			

Example: **WTK-1052N-930-WT**

### LENS ACCESSORIES

Amber	<b>LENS-25-AMB</b>
Blue	<b>LENS-25-BLU</b>
Green	<b>LENS-25-GRN</b>
Red	<b>LENS-25-RED</b>
Frosted	<b>LENS-25-FR</b>
Spread	<b>LENS-25-SPR</b>
Beam Elongating	<b>LENS-25-BEL</b>

### GLARE CONTROL ACCESSORIES

Snoot	<b>LENS-25-SNOOT-BK</b>
	<b>LENS-25-SNOOT-PT</b>
	<b>LENS-25-SNOOT-WT</b>
Cross Louver	<b>LENS-25P-CRL-BK</b>
	<b>LENS-25P-CRL-PT</b>
	<b>LENS-25P-CRL-WT</b>

### REFLECTORS

25°	<b>SL-REF-LUX1208-N</b>
55°	<b>SL-REF-LUX1208-F</b>

Many LED luminaire designs within contain patent pending features.  
WAC Lighting will not hesitate to enforce its intellectual property rights through injunctive relief  
and seek further relief through damages if it has reason to believe the patents are being infringed upon.

---

[wacighting.com](http://wacighting.com) 1-800-526-2588

WAC Lighting retains the right to modify the design of our products at any time as part of the company's continuous improvement program. Please refer to our website for the latest product specifications. Copyright 2018