



WAC

SMART FANS

2024 CATALOG

WAC Smart Fans

WAC Smart Fans combine energy-efficient DC motors, smart home connectivity, sophisticated styling and offerings at competitive price points, creating a compelling ceiling fan collection that is unmatched in quality and function.

New housing styles, contemporary blade designs and beautiful finishes bring fresh possibilities for residential and commercial settings. Integrated, dimmable LED light sources deliver energy-efficient illumination to surrounding spaces, and lighting and fan speed control is easy with Bluetooth remote or optional Bluetooth wall controls. Or download the free MyWAC Smart Fans app and synchronize with a multitude of smart home devices for smart home control from anywhere in the world.

FINISH CODES:


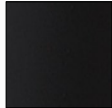

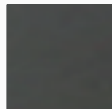
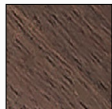

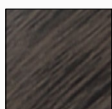


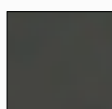
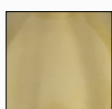

AB: Aged Brass 	BK: Black 	BN: Brushed Nickel 
BZ: Bronze 	DW: Dark Walnut 	DK: Distressed Koa 
EB: Ebony 	MB: Matte Black 	MW: Matte White 
OB: Oil-Rubbed Bronze 	SB: Soft Brass 	TT: Titanium 

TABLE OF CONTENTS

AELLA	4-7
BLITZEN	8-11
CLEAN	12-15
ECLIPSE	16-19
HUG	20-23
LOFT	24-27
MALIBU	28-31
MOCHA	32-35
MOCHA XL	36-39
MOD	40-43
ODYSSEY	44-47
ODYSSEY FLUSH	48-51
ROTARY	52-55
STELLA	56-59
VIPER	64-67
WINDMILL	68-71
ZELDA	72-75



AELLA

Shown: F-096L-AB/MB

22 inch: F-096L

Finish	Housing	Blade
AB/MB	Aged Brass	Matte Black
BN/MB	Brushed Nickel	Matte Black
MB	Matte Black	Matte Black

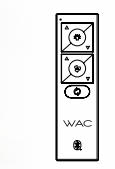
SPECIFICATIONS

22" Aella

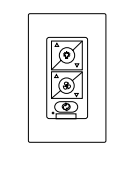
Blade:	26° Pitch, 22" Sweep, ABS
Lead Wire:	8
Hanging Weight:	14 lbs
Total Power:	17 W
Lumens:	1200
LED Power:	16 W
CRI:	90
Color Temperature:	3000K
LED Rated Life:	50,000 hrs

BLUETOOTH REMOTE CONTROL

OPTIONAL BLUETOOTH WALL CONTROL



RC20-WT
 Included with each fan
 6 speeds
 ON/OFF



WC20-WT
 Optional with each fan
 6 speeds
 ON/OFF



F-096L-MB
Matte Black



F-096L-AB/MB
Aged Brass/Matte Black



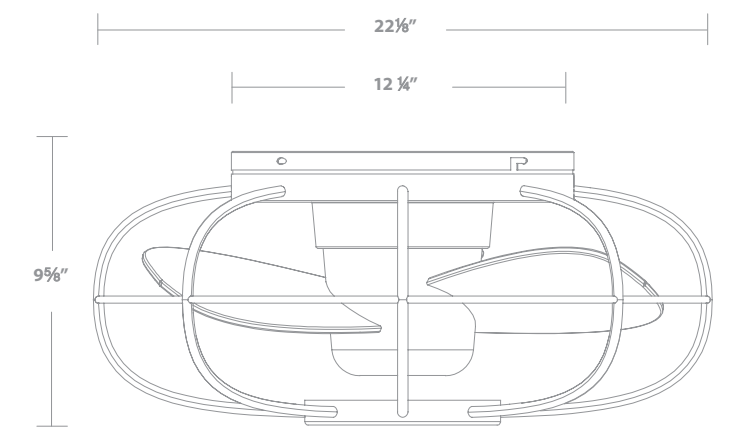
F-096L-BN/MB
Brushed Nickel/Matte Black

22" Aella

ENERGY GUIDE

Standard	High Speed	Weighted Average
Electricity	14 W	14 W
Airflow	1191 CFM	758 CFM
Energy Costs*	-	\$4 yr
Efficiency	-	55 CFM/W

* Estimated annual energy cost based on \$0.12 per kWh and 6.4 hours use per day.



BLITZEN

Shown: F-060L-MB



54 inch: F-060
54 inch: F-060L



Finish	Housing	Blade
BN	Brushed Nickel	Titanium Silver
MB	Matte Black	Matte Black
MW	Matte White	Matte White
SB/MB	Soft Brass	Matte Black

SPECIFICATIONS

54" Blitzen

Blade:	14° Pitch, 54" Sweep, ABS
Lead Wire:	80
Downrod:	0.75"ID x 4.5"H Included
Mounting Slope:	Up to 30° standard
Hanging Weight:	14.5 lbs

Luminaire Version

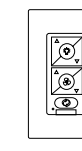
Total Power:	22 W
Lumens:	1110
LED Power:	13 W
CRI:	90
Color Temperature:	3000K
LED Rated Life:	50,000 hrs

BLUETOOTH REMOTE CONTROL



RC20-WT
Included with each fan
6 speeds
ON/OFF

OPTIONAL BLUETOOTH WALL CONTROL



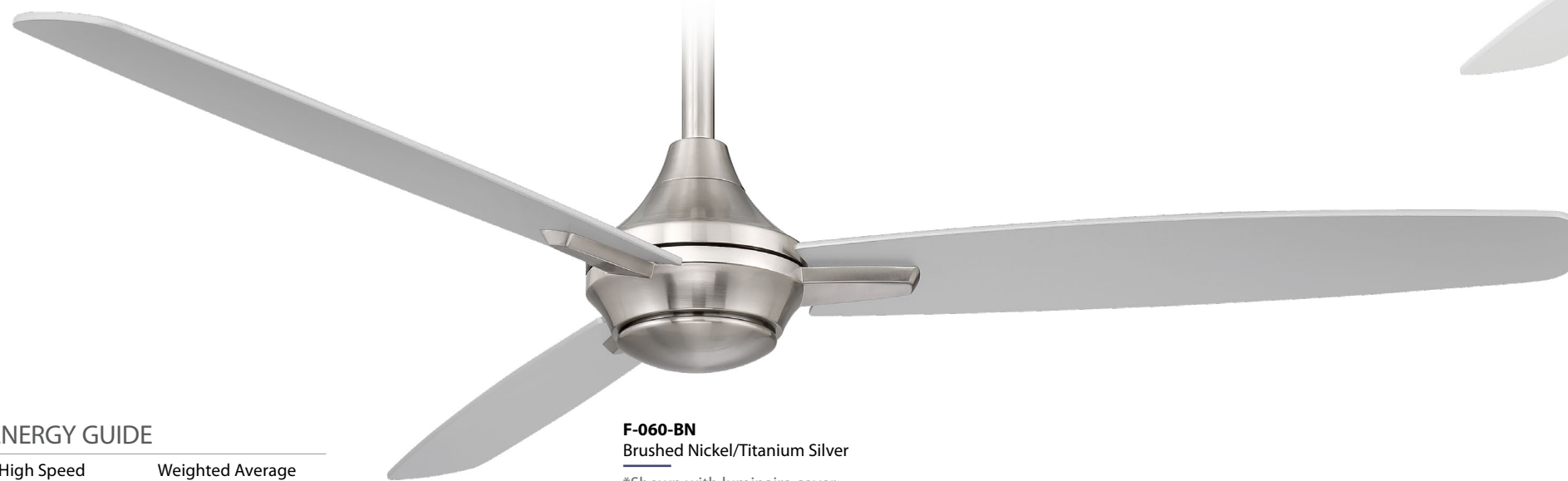
WC20-WT
Optional with each fan
6 speeds
ON/OFF



F-060L-MB
Matte Black



F-060L-MW
Matte White



F-060-BN
Brushed Nickel/Titanium Silver
*Shown with luminaire cover

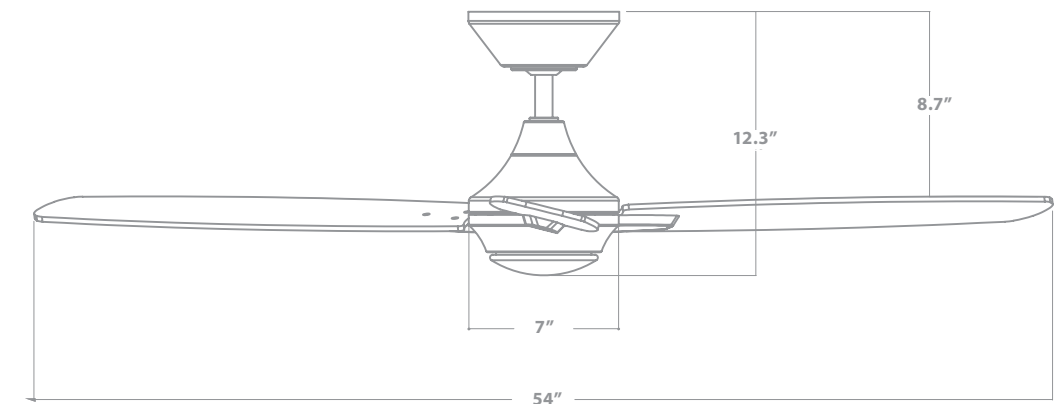
54" Blitzen



ENERGY GUIDE

Standard	High Speed	Weighted Average
Electricity	14 W	14 W
Airflow	4796 CFM	3042 CFM
Energy Costs*	-	\$5 yr
Efficiency	-	169 CFM/W

* Estimated annual energy cost based on \$0.12 per kWh and 6.4 hours use per day.





CLEAN

Shown: F-003L-SB/MW

52 inch: F-003
52 inch: F-003L



Finish	Housing	Blade
BA	Brushed Aluminum	Titanium Silver
MB	Matte Black	Matte Black
MW	Matte White	Matte White
SB/MB	Soft Brass	Matte Black
SB/MW	Soft Brass	Matte White

SPECIFICATIONS

52" Clean

Blade:	20° Pitch, 52" Sweep, ABS
Lead Wire:	80
Downrod:	0.75"ID x 4.5"H Included
Mounting Slope:	Up to 30° standard
Hanging Weight:	11 lbs

Luminaire Version

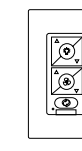
Total Power:	42 W
Lumens:	1110
LED Power:	13 W
CRI:	90
Color Temperature:	3000K
LED Rated Life:	50,000 hrs

BLUETOOTH REMOTE CONTROL

OPTIONAL BLUETOOTH WALL CONTROL



RC20-WT
Included with each fan
6 speeds
ON/OFF



WC20-WT
Optional with each fan
6 speeds
ON/OFF

F-003-MW
Matte White

*Shown with luminaire cover



F-003-MB
Matte Black



F-003-BA
Brushed Aluminum/Titanium Silver

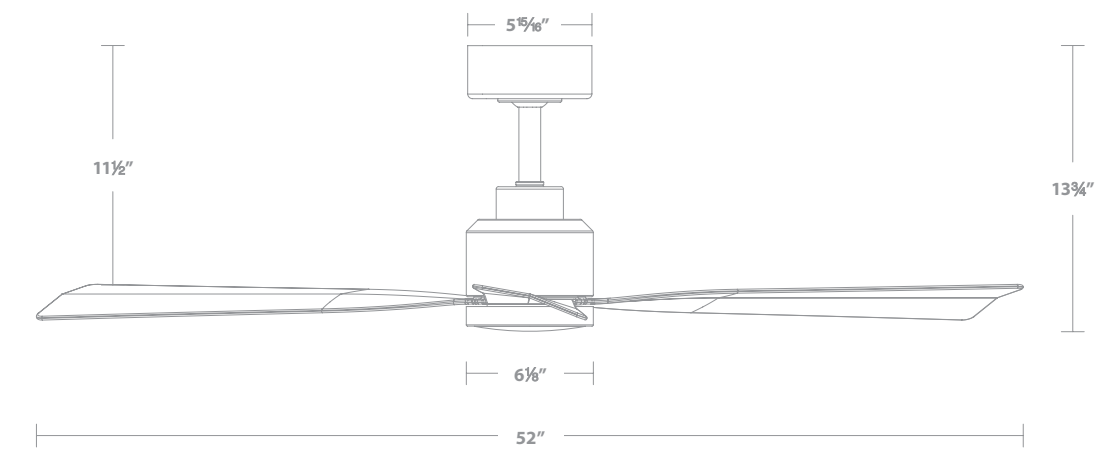
*Shown with luminaire cover



F-003L-SB/MW
Soft Brass/Matte White



F-003L-SB/MB
Soft Brass/Matte Black



52" Clean



ENERGY GUIDE

	Standard	High Speed	Weighted Average
Electricity		30 W	21 W
Airflow		5924 CFM	4039 CFM
Energy Costs*		-	\$6 yr
Efficiency		-	188 CFM/W

* Estimated annual energy cost based on \$0.12 per kWh and 6.4 hours use per day.



ECLIPSE

Shown: F-053L-SB/MB

54 inch: F-053L



Finish	Housing	Blade
SB/MB	Soft Brass	Matte Black
SB/MW	Soft Brass	Matte White

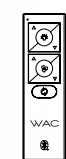
SPECIFICATIONS

54" Eclipse

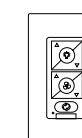
Blade:	13.5° Pitch, 54" Sweep, ABS
Lead Wire:	80
Downrod:	0.75"ID x 4.5"H Included
Mounting Slope:	Up to 30° standard
Hanging Weight:	14 lbs
Total Power:	56 W
Lumens:	1600
LED Power:	13 W
CRI:	90
Color Temperature:	3000K
LED Rated Life:	50,000 hrs

BLUETOOTH REMOTE CONTROL

OPTIONAL BLUETOOTH WALL CONTROL



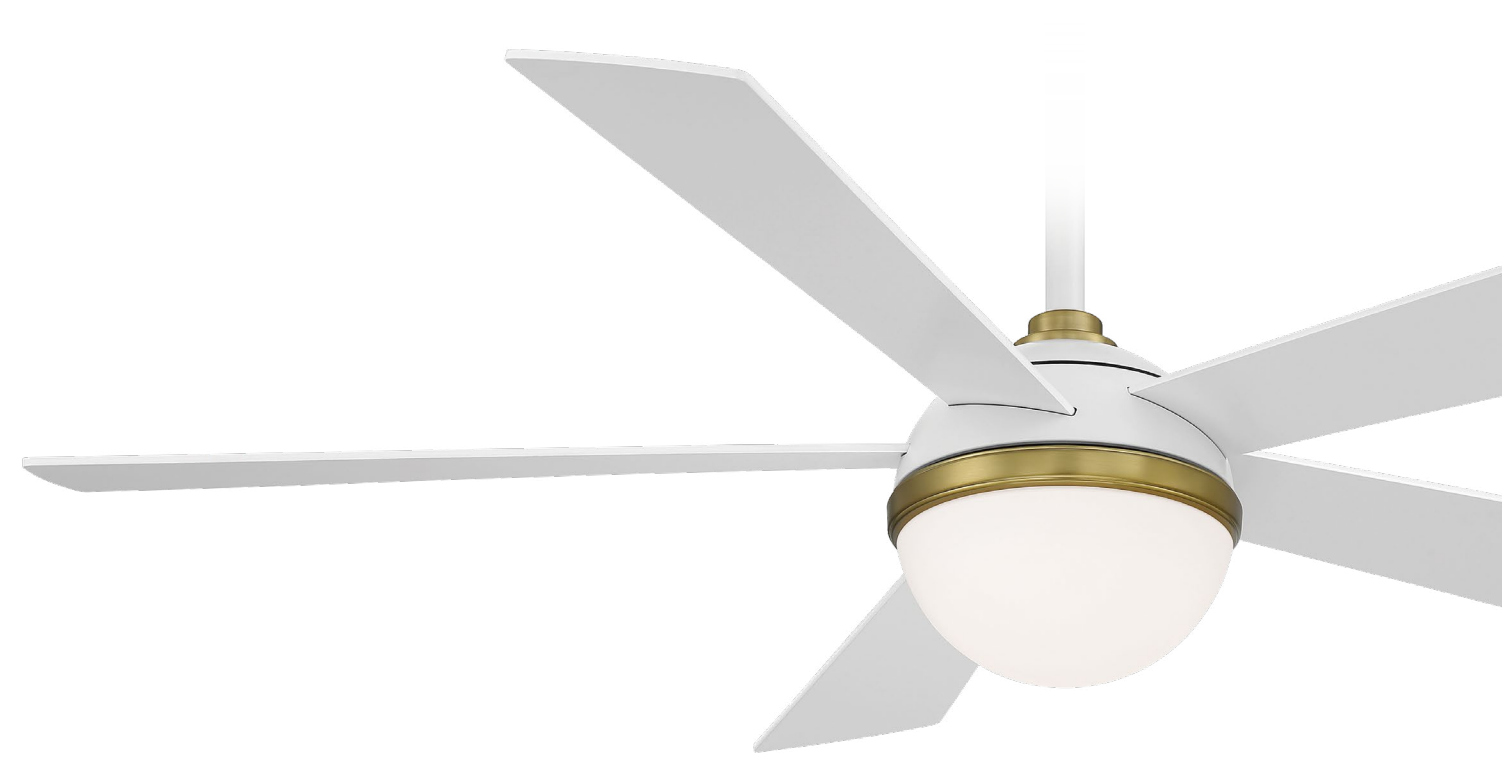
RC20-WT
 Included with each fan
 6 speeds
 ON/OFF



WC20-WT
 Optional with each fan
 6 speeds
 ON/OFF



F-053L-SB/MB
Soft Brass/Matte Black



F-053L-BN/MB
Soft Brass/Matte White

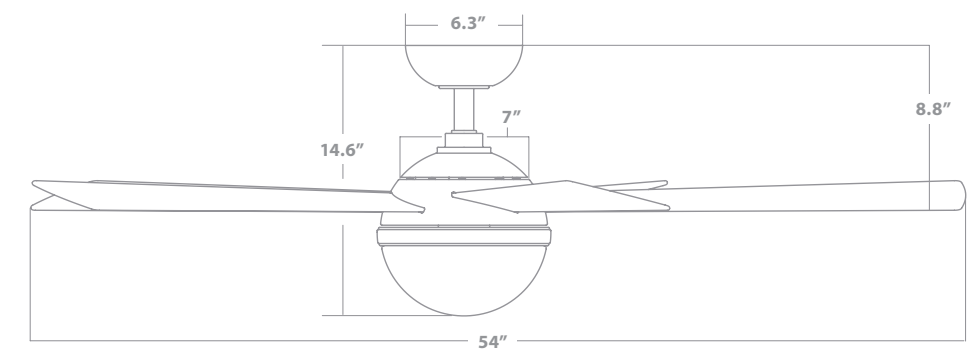
54" Eclipse



ENERGY GUIDE

Standard	High Speed	Weighted Average
Electricity	36 W	25 W
Airflow	5106 CFM	3263 CFM
Energy Costs*	-	\$7 yr
Efficiency	133 CFM/W	133 CFM/W

* Estimated annual energy cost based on \$0.12 per kWh and 6.4 hours use per day.



HUG

44" & 52"

Shown: F-037L-BN/TT

44 inch: F-036L
52 inch: F-037L



Finish	Housing	Blade
BN	Brushed Nickel	Titanium Silver
MB	Matte Black	Matte Black
MW	Matte White	Matte White

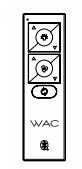
SPECIFICATIONS

44 & 52" Hug

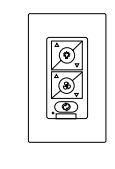
Blade:	13.5° Pitch, 44 or 52" Sweep, ABS
Lead Wire:	8
Hanging Weight:	12 / 12.5 lbs
Total Power:	40.5 / 46 W
Lumens:	1600
LED Power:	20 W
CRI:	90
Color Temperature:	3000K
LED Rated Life:	50,000 hrs

BLUETOOTH REMOTE CONTROL

OPTIONAL BLUETOOTH WALL CONTROL



RC20-WT
Included with each fan
6 speeds
ON/OFF

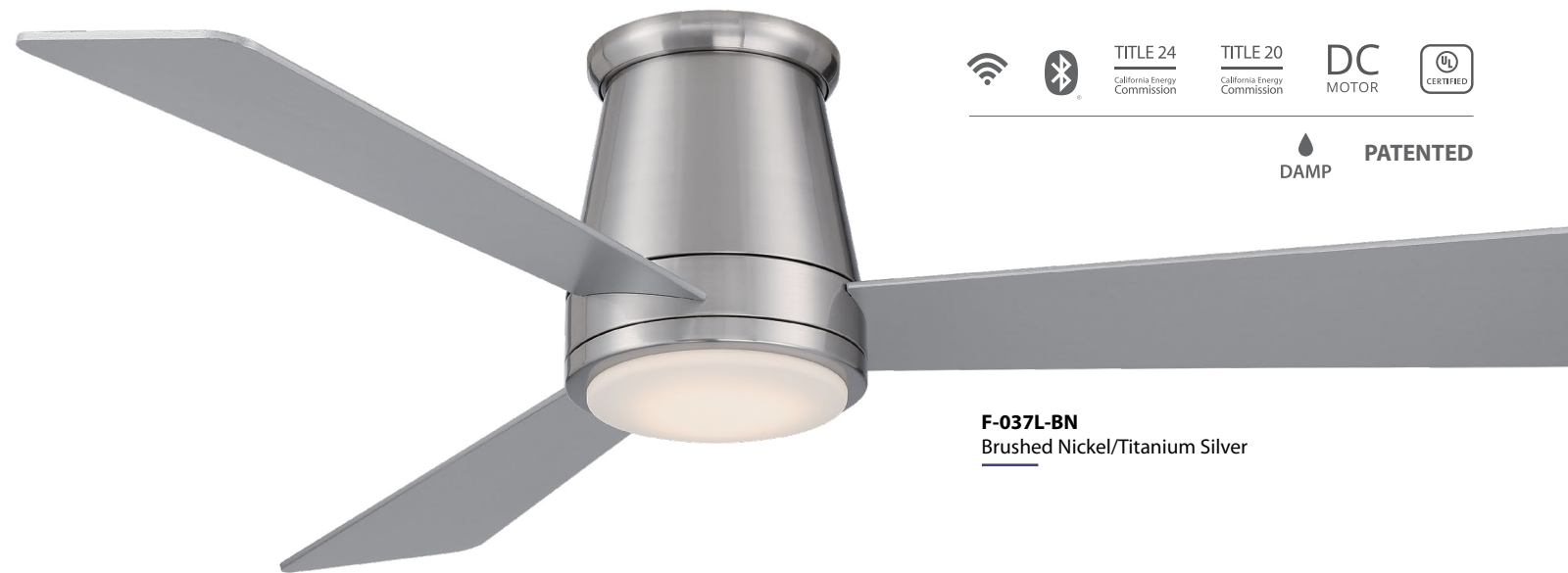


WC20-WT
Optional with each fan
6 speeds
ON/OFF





F-036L-MB
Matte Black





 TITLE 24
California Energy Commission
 TITLE 20
California Energy Commission
 DC
MOTOR
 




F-037L-BN
Brushed Nickel/Titanium Silver



F-036L-MW
Matte White



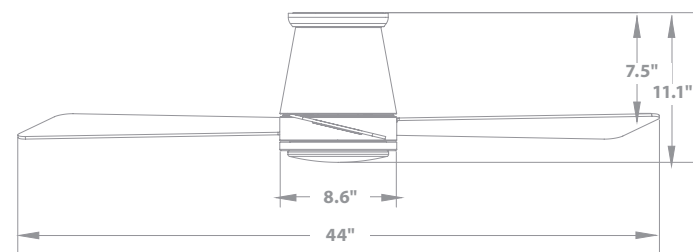
F-037L-MB
Matte Black

44" Hug

ENERGY GUIDE

Standard	High Speed	Weighted Average
Electricity	20 W	16 W
Airflow	3619 CFM	2187 CFM
Energy Costs*	-	\$5 yr
Efficiency	-	133 CFM/W

* Estimated annual energy cost based on \$0.12 per kWh and 6.4 hours use per day.



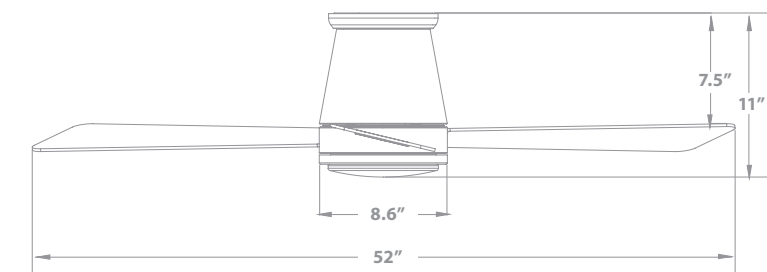
52" Hug



ENERGY GUIDE

Standard	High Speed	Weighted Average
Electricity	25 W	20 W
Airflow	4469 CFM	2793 CFM
Energy Costs*	-	\$6 yr
Efficiency	-	142 CFM/W

* Estimated annual energy cost based on \$0.12 per kWh and 6.4 hours use per day.



LOFT

Shown: F-094L-SB/MB

38 inch: F-094L



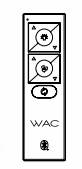
Finish	Housing	Blade
MB	Matte Black	Matte Black
MW	Matte White	Matte White
SB/MB	Soft Brass	Matte Black

SPECIFICATIONS

38" Loft

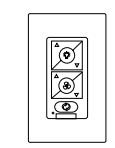
Blade:	18° Pitch, 38" Sweep, ABS
Lead Wire:	80
Downrod:	0.75"ID x 4.5"H Included
Mounting Slope:	Up to 30° standard
Hanging Weight:	17 lbs
Total Power:	37 W
Lumens:	1110
LED Power:	13 W
CRI:	90
Color Temperature:	3000K
LED Rated Life:	50,000 hrs

BLUETOOTH REMOTE CONTROL



RC20-WT
 Included with each fan
 6 speeds
 ON/OFF

OPTIONAL BLUETOOTH WALL CONTROL



WC20-WT
 Optional with each fan
 6 speeds
 ON/OFF





F-094L-SB/MB
Soft Brass/Matte Black



F-094L-MW
Matte White



F-094L-MB
Matte Black

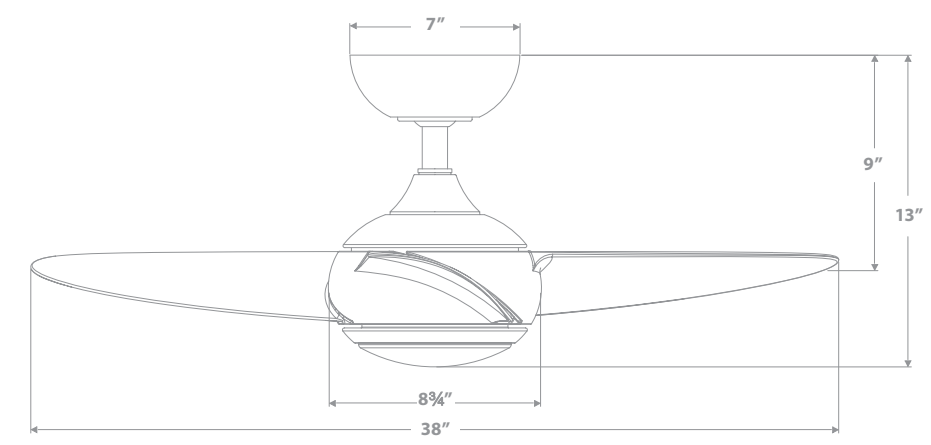
38" Loft



ENERGY GUIDE

Standard	High Speed	Weighted Average
Electricity	32 W	20 W
Airflow	4057 CFM	2467 CFM
Energy Costs*	-	\$5 yr
Efficiency	-	133 CFM/W


* Estimated annual energy cost based on \$0.12 per kWh and 6.4 hours use per day.





MALIBU

Shown: F-089-BN/EB

70 inch: F-089 

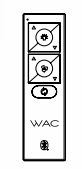
Finish	Housing	Blade
BN/EB	Brushed Nickel	Ebony
MB/DW	Matte Black	Dark Walnut

SPECIFICATIONS

70" Malibu

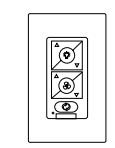
Blade:	16° Pitch, 70" Sweep, ABS
Lead Wire:	80
Downrod:	0.75"ID x 6"H Included
Mounting Slope:	Up to 30° standard
Hanging Weight:	30 lbs
Total Power:	37

BLUETOOTH REMOTE CONTROL



RC20-WT
 Included with each fan
 6 speeds
 ON/OFF

OPTIONAL BLUETOOTH WALL CONTROL



WC20-WT
 Optional with each fan
 6 speeds
 ON/OFF



F-089-MB/DW
Matte Black/Dark Walnut



F-089-BN/EB
Brushed Nickel/Ebony

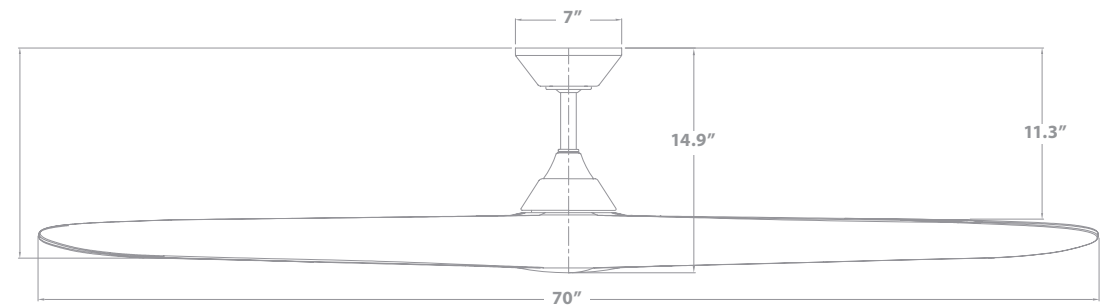
70" Malibu



ENERGY GUIDE

Standard	High Speed	Weighted Average
Electricity	25 W	37 W
Airflow	7749 CFM	5364 CFM
Energy Costs*	-	\$7 yr
Efficiency	-	210 CFM/W

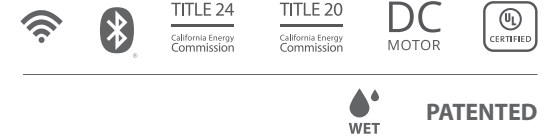
* Estimated annual energy cost based on \$0.12 per kWh and 6.4 hours use per day.





MOCHA

Shown: F-001L-OB



54 inch: F-001
54 inch: F-001L



Finish	Housing	Blade
BA	Brushed Aluminum	Titanium Silver
MB	Matte Black	Matte Black
MW	Matte White	Matte White
OB	Oil-Rubbed Bronze	Bronze
SB/MW	Soft Brass	Matte White

SPECIFICATIONS

54" Mocha

Blade:	14° Pitch, 54" Sweep, ABS
Lead Wire:	80
Downrod:	0.75"ID x 4.5"H Included
Mounting Slope:	Up to 30° standard
Hanging Weight:	17 lbs

Luminaire Version

Total Power:	45 W
Lumens:	1600
LED Power:	20 W
CRI:	90
Color Temperature:	3000K
LED Rated Life:	50,000 hrs

BLUETOOTH REMOTE CONTROL

OPTIONAL BLUETOOTH WALL CONTROL



RC20-WT
Included with each fan
6 speeds
ON/OFF



WC20-WT
Optional with each fan
6 speeds
ON/OFF



F-001L-SB/MW
Soft Brass/Matte White



F-001L-MW
Matte White



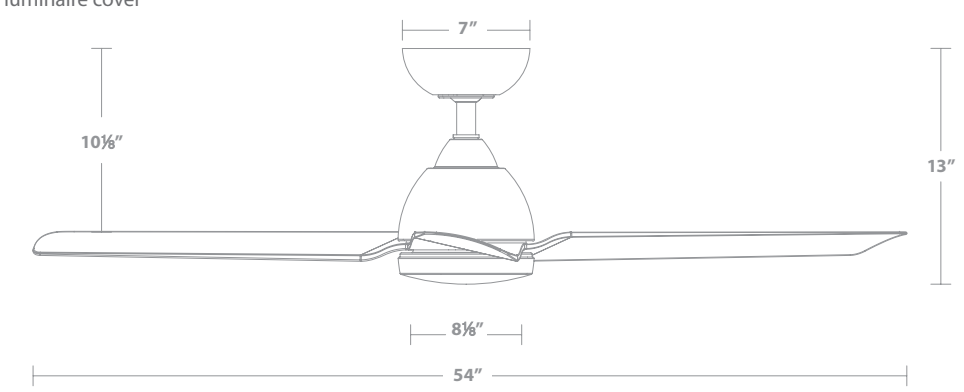
F-001-OB
Oil-Rubbed Bronze
*Shown with luminaire cover



F-001L-MB
Matte Black



F-001-BA
Brushed Aluminum/Titanium Silver
*Shown with luminaire cover



54" Mocha



ENERGY GUIDE

	Standard	High Speed	Weighted Average
Electricity		36 W	20 W
Airflow		6872 CFM	4633 CFM
Energy Costs*		-	\$6 yr
Efficiency		-	231 CFM/W

* Estimated annual energy cost based on \$0.12 per kWh and 6.4 hours use per day.

MOCHA XL

Shown: F-064L-WT

66 inch: F-064
66 inch: F-064L



Finish	Housing	Blade
MB	Matte Black	Matte Black
MW	Matte White	Matte White

SPECIFICATIONS

66" Mocha XL

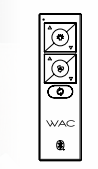
Blade:	13° Pitch, 66" Sweep, ABS
Lead Wire:	80
Downrod:	0.75" ID x 6"H Included
Mounting Slope:	Up to 30° standard
Hanging Weight:	30 lbs

Luminaire Version

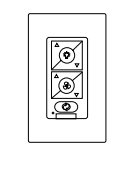
Total Power:	55 W
Lumens:	1600
LED Power:	20 W
CRI:	90
Color Temperature:	3000K
LED Rated Life:	50,000 hrs

BLUETOOTH REMOTE CONTROL

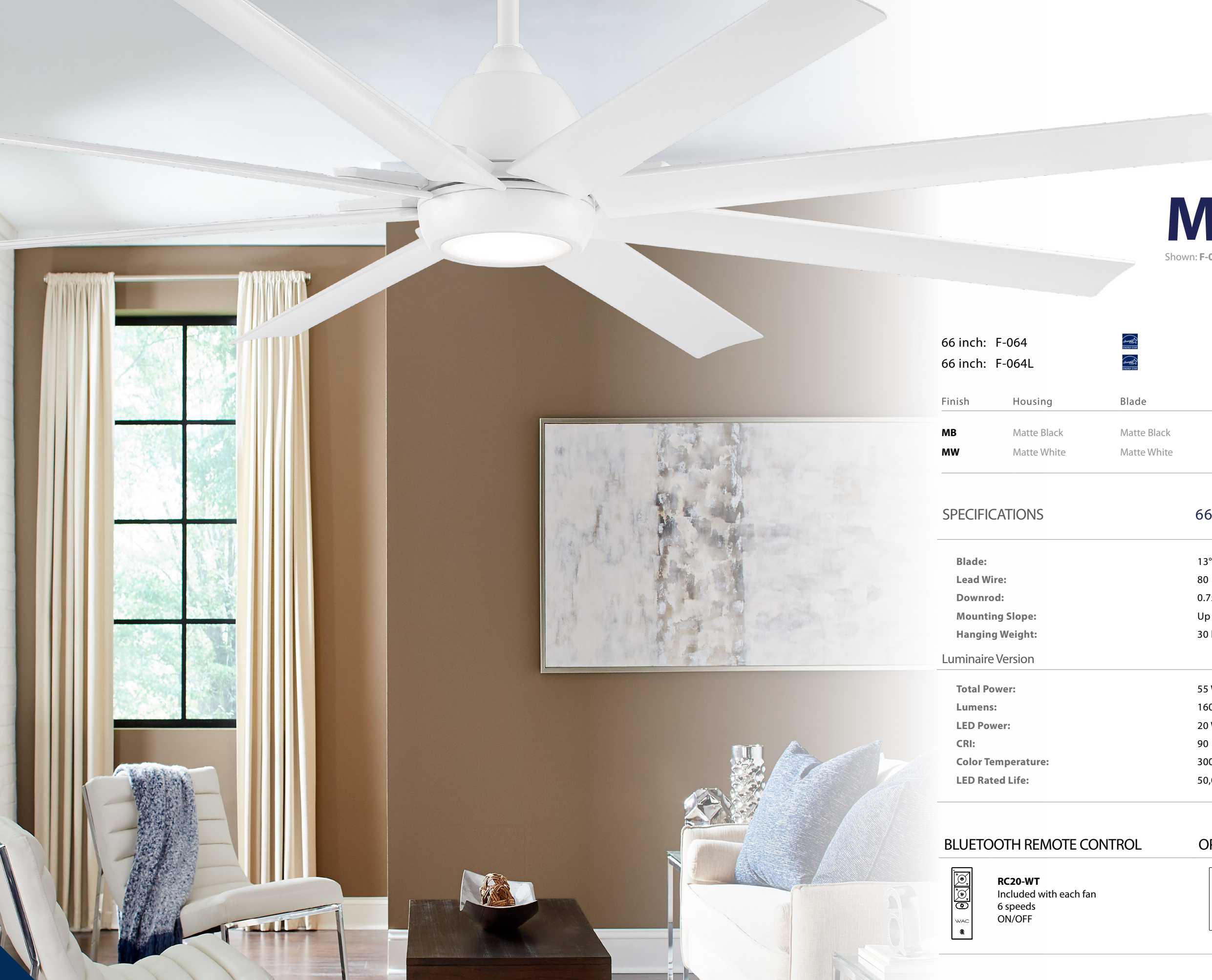
OPTIONAL BLUETOOTH WALL CONTROL



RC20-WT
Included with each fan
6 speeds
ON/OFF

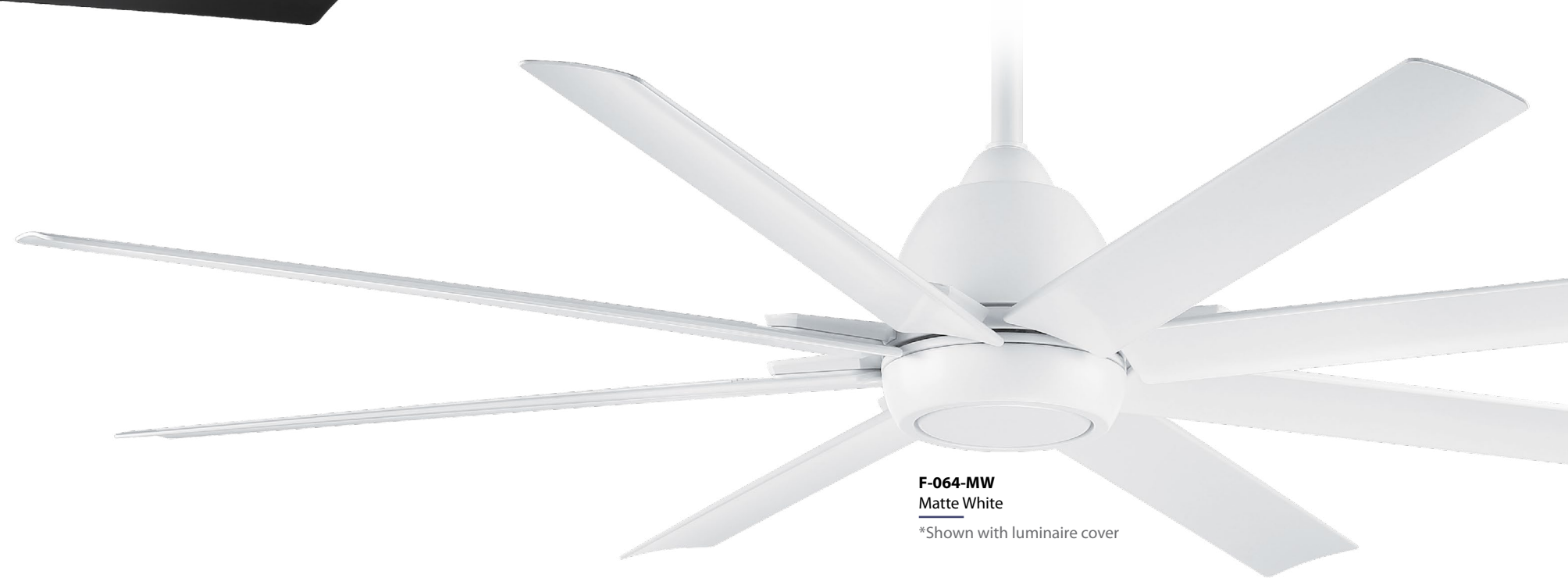


WC20-WT
Optional with each fan
6 speeds
ON/OFF





F-064L-MB
Matte Black



F-064-MW
Matte White
*Shown with luminaire cover

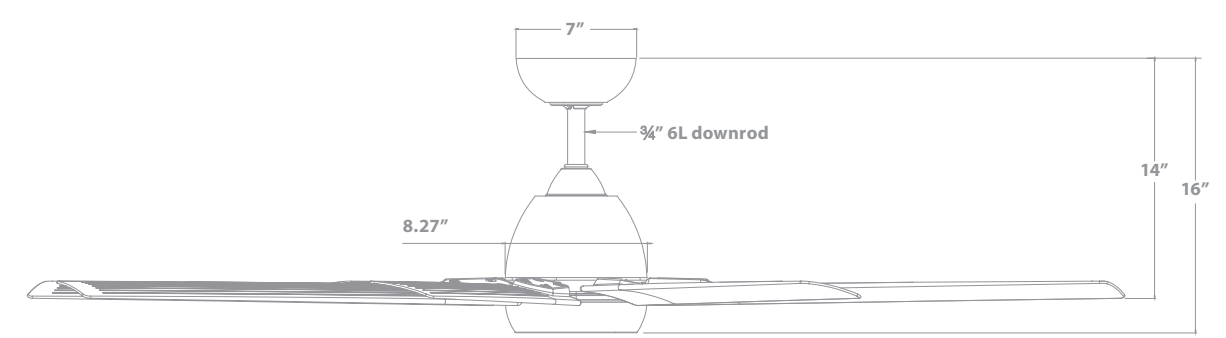
66" Mocha XL



ENERGY GUIDE

Standard	High Speed	Weighted Average
Electricity	35 W	24 W
Airflow	10853 CFM	7723 CFM
Energy Costs*	-	\$7 yr
Efficiency	-	320 CFM/W

* Estimated annual energy cost based on \$0.12 per kWh and 6.4 hours use per day.





MOD

Shown: F-054L-MB/DK

54 inch: F-054L



Finish	Housing	Blade
MB/DK	Matte Black	Distressed Koa
SB/MB	Soft Brass	Matte Black

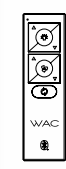
SPECIFICATIONS

54" Mod

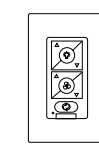
Blade:	14° Pitch, 54" Sweep, ABS
Lead Wire:	80
Downrod:	0.75"ID x 6"H Included
Mounting Slope:	Up to 30° standard
Hanging Weight:	17 lbs
Total Power:	45 W
Lumens:	2100
LED Power:	20 W
CRI:	90
Color Temperature:	3000K
LED Rated Life:	50,000 hrs

BLUETOOTH REMOTE CONTROL

OPTIONAL BLUETOOTH WALL CONTROL



RC20-WT
 Included with each fan
 6 speeds
 ON/OFF



WC20-WT
 Optional with each fan
 6 speeds
 ON/OFF



F-054L-MB/DK
Matte Black/Distressed Koa



F-054L-SB/MB
Soft Brass/Matte Black

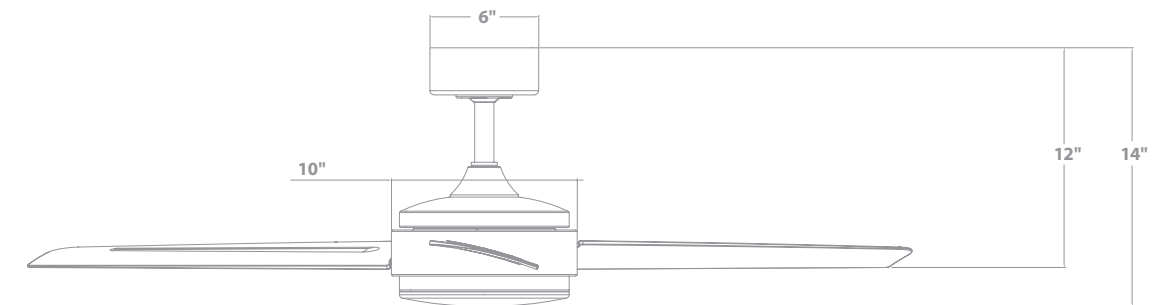
54" Mod



ENERGY GUIDE

Standard	High Speed	Weighted Average
Electricity	24 W	17 W
Airflow	6817 CFM	4643 CFM
Energy Costs*	-	\$5 yr
Efficiency	-	266 CFM/W

* Estimated annual energy cost based on \$0.12 per kWh and 6.4 hours use per day.





ODYSSEY

Shown: F-005L-MW

52 inch: F-005L



Finish	Housing	Blade
BN	Brushed Nickel	Titanium
MB	Matte Black	Matte Black
MW	Matte White	Matte White

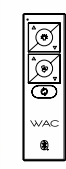
SPECIFICATIONS

52" Odyssey

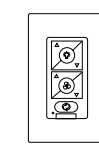
Blade:	12° Pitch, 52" Sweep, ABS
Lead Wire:	80
Downrod:	0.75"ID x 4.5"H Included
Mounting Slope:	Up to 30° standard
Hanging Weight:	14 lbs
Total Power:	45 W
Lumens:	2100
LED Power:	23.5 W
CRI:	90
Color Temperature:	3000K
LED Rated Life:	50,000 hrs

BLUETOOTH REMOTE CONTROL

OPTIONAL BLUETOOTH WALL CONTROL



RC20-WT
 Included with each fan
 6 speeds
 ON/OFF



WC20-WT
 Optional with each fan
 6 speeds
 ON/OFF



F-005L-MB
Matte Black



F-005L-MW
Matte White



F-005L-BN
Brushed Nickel/Titanium

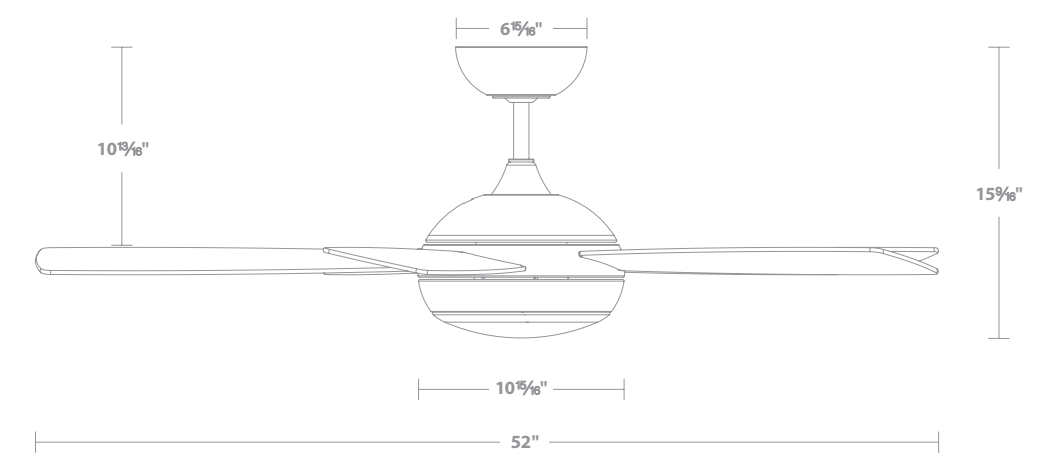
52" Odyssey



ENERGY GUIDE

Standard	High Speed	Weighted Average
Electricity	28 W	21 W
Airflow	5042 CFM	3221 CFM
Energy Costs*	-	\$6 yr
Efficiency	-	155 CFM/W



* Estimated annual energy cost based on \$0.12 per kWh and 6.4 hours use per day.





ODYSSEY FLUSH 44" & 52"

Shown: F-034L-MB

- 44 inch: F-034L 
- 52 inch: F-035L 

Finish	Housing	Blade
BN	Brushed Nickel	Titanium
MB	Matte Black	Matte Black
MW	Matte Black	Matte White

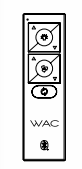
SPECIFICATIONS

44 & 52" Odyssey

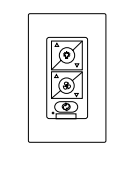
Blade:	12° Pitch, 44 or 52" Sweep, ABS
Lead Wire:	8
Hanging Weight:	12.5 / 12.5 lbs
Total Power:	46.5 / 55 W
Lumens:	2100
LED Power:	24.5 W
CRI:	90
Color Temperature:	3000K
LED Rated Life:	50,000 hrs

BLUETOOTH REMOTE CONTROL

OPTIONAL BLUETOOTH WALL CONTROL



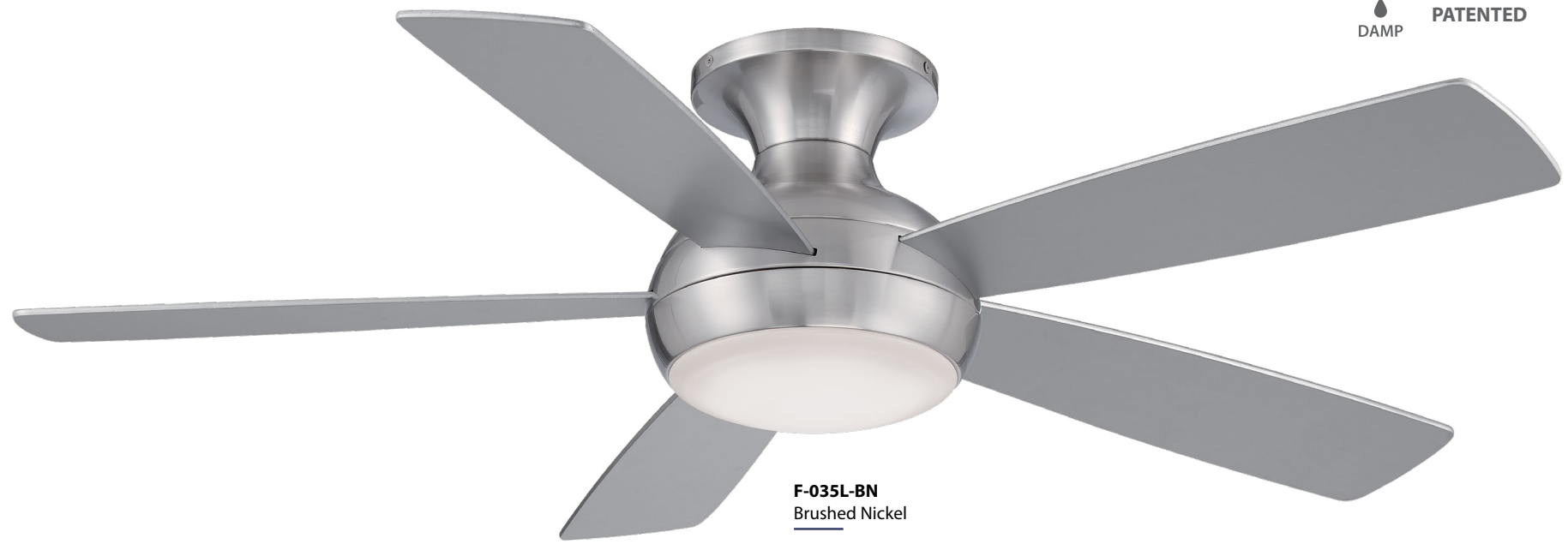
RC20-WT
 Included with each fan
 6 speeds
 ON/OFF



WC20-WT
 Optional with each fan
 6 speeds
 ON/OFF



F-034L-MW
Matte White



F-035L-BN
Brushed Nickel



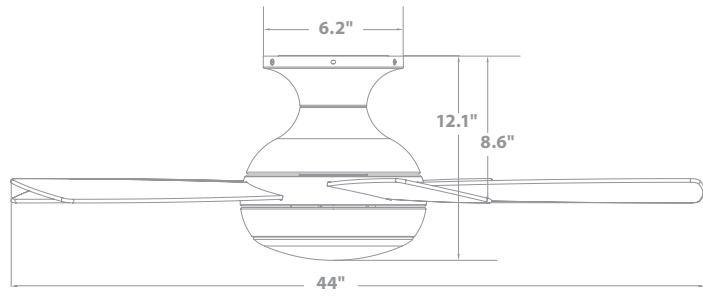
F-034L-BN
Brushed Nickel



F-035L-MB
Matte Black

44" Odyssey

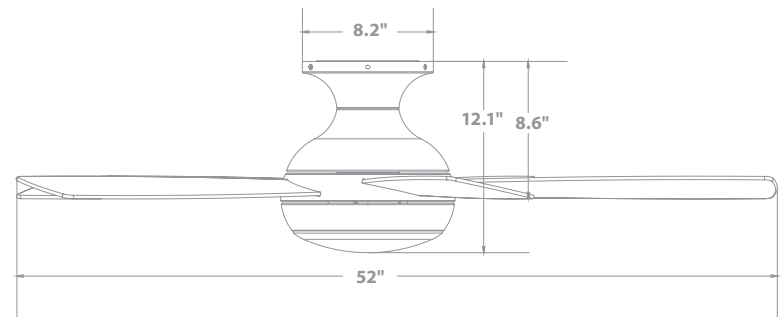
ENERGY GUIDE		
Standard	High Speed	Weighted Average
Electricity	22 W	18 W
Airflow	3517 CFM	2132 CFM
Energy Costs*	-	\$5 yr
Efficiency	-	121 CFM/W



* Estimated annual energy cost based on \$0.12 per kWh and 6.4 hours use per day.

52" Odyssey

ENERGY GUIDE		
Standard	High Speed	Weighted Average
Electricity	31 W	23 W
Airflow	4782 CFM	2999 CFM
Energy Costs*	-	\$6 yr
Efficiency	-	132 CFM/W



* Estimated annual energy cost based on \$0.12 per kWh and 6.4 hours use per day.



ROTARY

Shown: F-099L-MB/SB

65 inch: F-099L



Finish	Housing	Blade
MB/BN	Brushed Nickel	Matte Black
MB/SB	Soft Brass	Matte Black

SPECIFICATIONS

65" Rotary

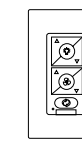
Blade:	14° Pitch, 65" Sweep, ABS
Lead Wire:	80
Downrod:	1"ID x 6"H Included
Mounting Slope:	Up to 30° standard
Hanging Weight:	21 lbs
Total Power:	44 W
Lumens:	1600
LED Power:	20 W
CRI:	90
Color Temperature:	2700K, 3000K, 4000K, 5000K Selectable
LED Rated Life:	50,000 hrs

BLUETOOTH REMOTE CONTROL

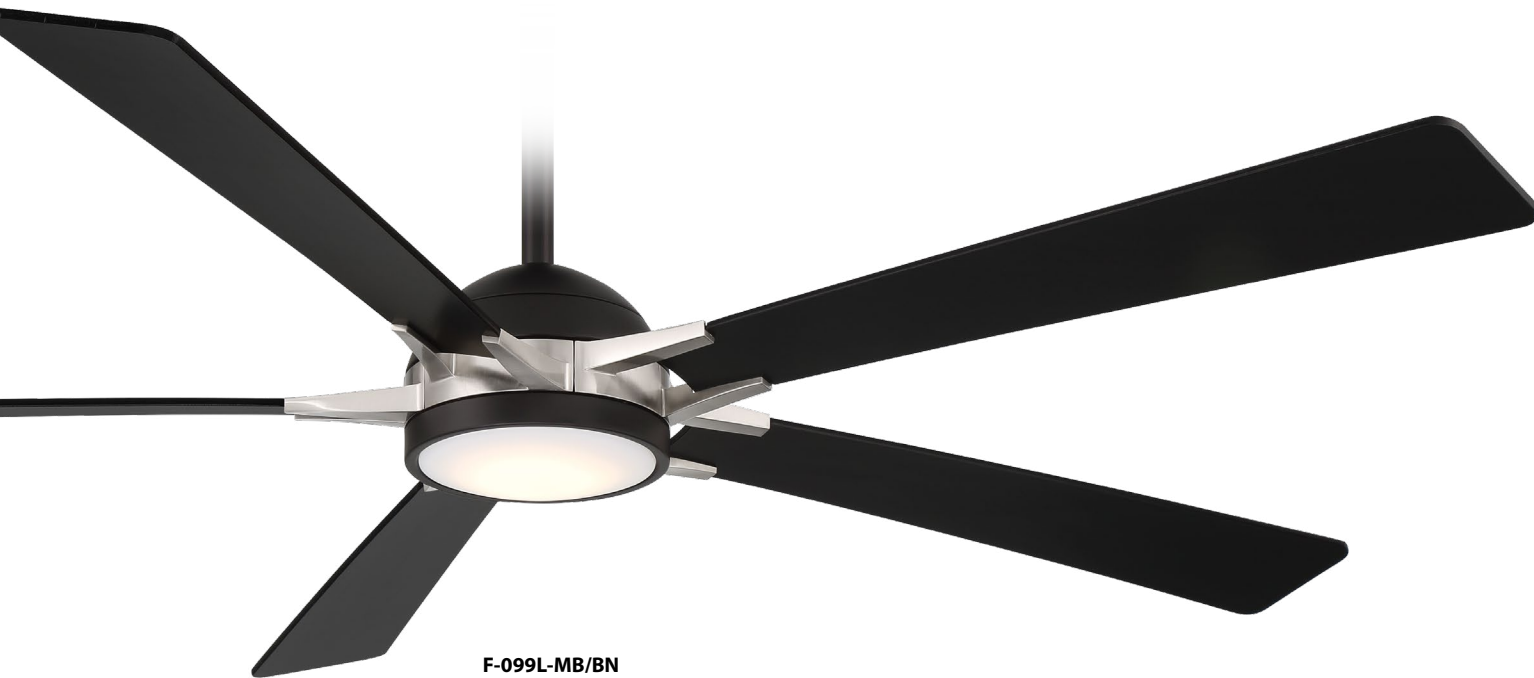


RC20-WT
Included with each fan
6 speeds
ON/OFF

OPTIONAL BLUETOOTH WALL CONTROL



WC20-WT
Optional with each fan
6 speeds
ON/OFF



F-099L-MB/BN
Matte Black/Brushed Nickel



F-099L-MB/SB
Matte Black/Soft Brass

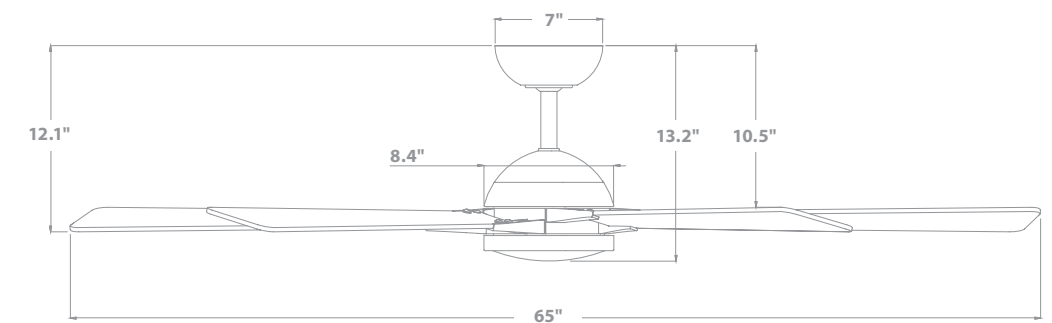
65" Rotary



ENERGY GUIDE

Standard	High Speed	Weighted Average
Electricity	38 W	25 W
Airflow	7018 CFM	4717 CFM
Energy Costs*	-	\$7 yr
Efficiency	-	185 CFM/W

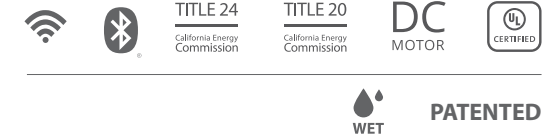
* Estimated annual energy cost based on \$0.12 per kWh and 6.4 hours use per day.





STELLA

Shown: F-056L-MB



60 inch: F-056
60 inch: F-056L



Finish	Housing	Blade
MB	Matte Black	Matte Black
MW	Matte White	Matte White

SPECIFICATIONS

60" Stella

Blade:	16° Pitch, 60" Sweep, ABS
Lead Wire:	80
Downrod:	0.75"ID x 6"H Included
Mounting Slope:	Up to 30° standard
Hanging Weight:	12 lbs

Luminaire Version

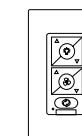
Total Power:	39 W
Lumens:	1100
LED Power:	13 W
CRI:	90
Color Temperature:	3000K
LED Rated Life:	50,000 hrs

BLUETOOTH REMOTE CONTROL

OPTIONAL BLUETOOTH WALL CONTROL



RC20-WT
Included with each fan
6 speeds
ON/OFF



WC20-WT
Optional with each fan
6 speeds
ON/OFF



F-056L-MW
Matte White



F-056-MB
Matte Black

*Shown with luminaire cover

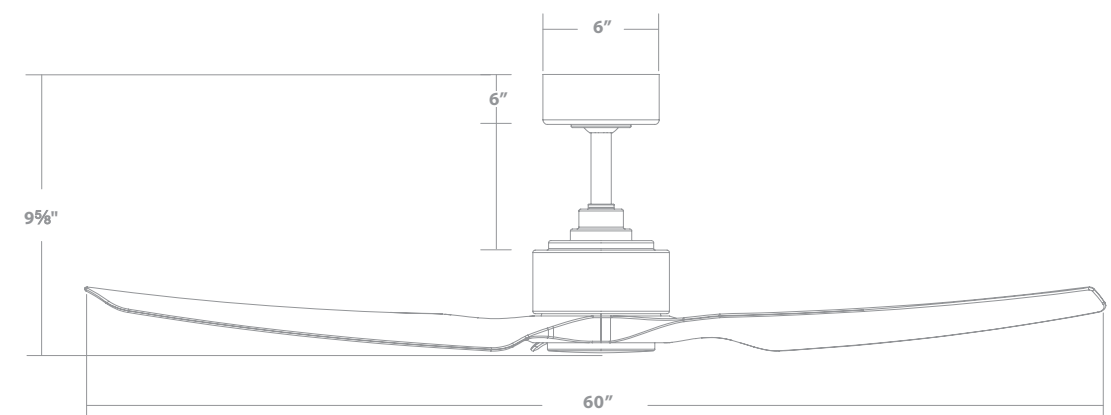
60" Stella



ENERGY GUIDE

Standard	High Speed	Weighted Average
Electricity	26 W	20 W
Airflow	5906 CFM	3946 CFM
Energy Costs*	-	\$6 yr
Efficiency	-	195 CFM/W

* Estimated annual energy cost based on \$0.12 per kWh and 6.4 hours use per day.



SWIRL

Shown: F-074L-MB/DK



54 inch: F-074L



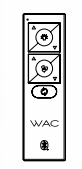
Finish	Housing	Blade
MB	Matte Black	Matte Black
MB/DK	Matte Black	Distressed Koa
SB/MB	Soft Brass	Matte Black
SB/MW	Soft Brass	Matte White

SPECIFICATIONS

54" Swirl

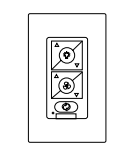
Blade:	24° Pitch, 54" Sweep, ABS
Lead Wire:	80
Downrod:	0.75"ID x 6"H Included
Mounting Slope:	Up to 30° standard
Hanging Weight:	17 lbs
Total Power:	56 W
Lumens:	1600
LED Power:	19.5 W
CRI:	90
Color Temperature:	3000K
LED Rated Life:	50,000 hrs

BLUETOOTH REMOTE CONTROL



RC20-WT
 Included with each fan
 6 speeds
 ON/OFF

OPTIONAL BLUETOOTH WALL CONTROL



WC20-WT
 Optional with each fan
 6 speeds
 ON/OFF



F-074L-SB/MB
Soft Brass/Matte Black



F-074L-MB
Matte Black



F-074L-MB/DK
Matte Black/Distressed Koa



F-074L-SB/MW
Soft Brass/Matte White

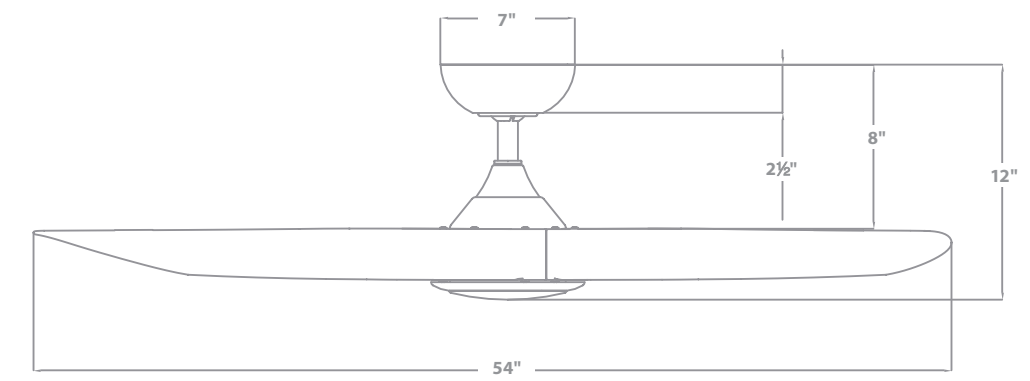
54" Swirl



ENERGY GUIDE

	Standard	High Speed	Weighted Average
Electricity		36 W	25 W
Airflow		5650 CFM	3687 CFM
Energy Costs*		-	\$7 yr
Efficiency		-	150 CFM/W

* Estimated annual energy cost based on \$0.12 per kWh and 6.4 hours use per day.





VIPER

Shown: F-071L-MB

60 inch: F-071L 

Finish	Housing	Blade
MB	Matte Black	Matte Black
SB/MB	Soft Brass	Matte Black

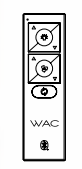
SPECIFICATIONS

60" Viper

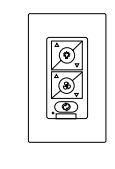
Blade:	20° Pitch, 60° Sweep, ABS
Lead Wire:	80
Downrod:	0.75"ID x 4.5"H Included
Mounting Slope:	Up to 30° standard
Hanging Weight:	17 lbs
Total Power:	59 W
Lumens:	1600
LED Power:	19.5 W
CRI:	90
Color Temperature:	3000K
LED Rated Life:	50,000 hrs

BLUETOOTH REMOTE CONTROL

OPTIONAL BLUETOOTH WALL CONTROL



RC20-WT
Included with each fan
6 speeds
ON/OFF



WC20-WT
Optional with each fan
6 speeds
ON/OFF



F-071L-SB/MB
Soft Brass/Matte Black



F-071L-MB
Matte Black

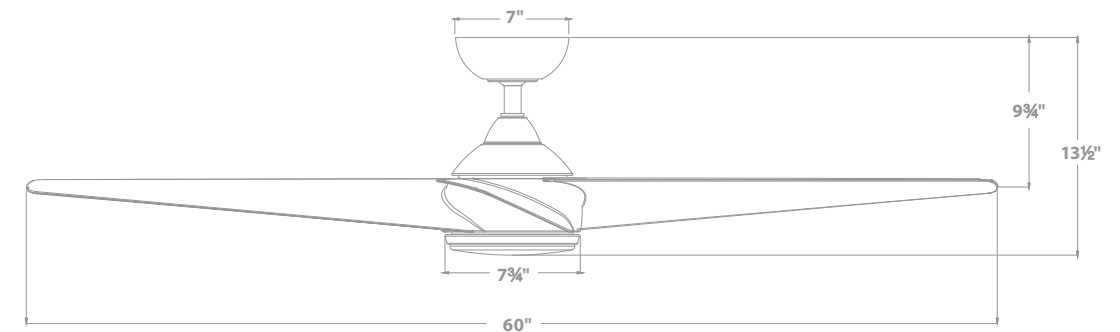
60" Viper



ENERGY GUIDE

Standard	High Speed	Weighted Average
Electricity	27 W	20 W
Airflow	5501 CFM	3919 CFM
Energy Costs*	-	\$6 yr
Efficiency	-	194 CFM/W

* Estimated annual energy cost based on \$0.12 per kWh and 6.4 hours use per day.





WINDMILL

Shown: F-080L-MB/DK


 PATENTED

65 inch: F-080L



Finish	Housing	Blade
MB/DK	Matte Black	Distressed Koa
OB/DW	Oil-Rubbed Bronze	Dark Walnut

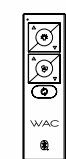
SPECIFICATIONS

65" Windmill

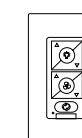
Blade:	13° Pitch, 65" Sweep, ABS
Lead Wire:	80
Downrod:	0.75"ID x 6"H Included
Mounting Slope:	Up to 30° standard
Hanging Weight:	38 lbs (requires > 35lb. cUL/UL Outlet Box)
Total Power:	66 W
Lumens:	1600
LED Power:	19.5 W
CRI:	90
Color Temperature:	3000K
LED Rated Life:	50,000 hrs

BLUETOOTH REMOTE CONTROL

OPTIONAL BLUETOOTH WALL CONTROL



RC20-WT
 Included with each fan
 6 speeds
 ON/OFF



WC20-WT
 Optional with each fan
 6 speeds
 ON/OFF



F-080L-OB/DW
Oil-Rubbed Bronze/Dark Walnut



F-080L-MB/DK
Matte Black/Distressed Koa

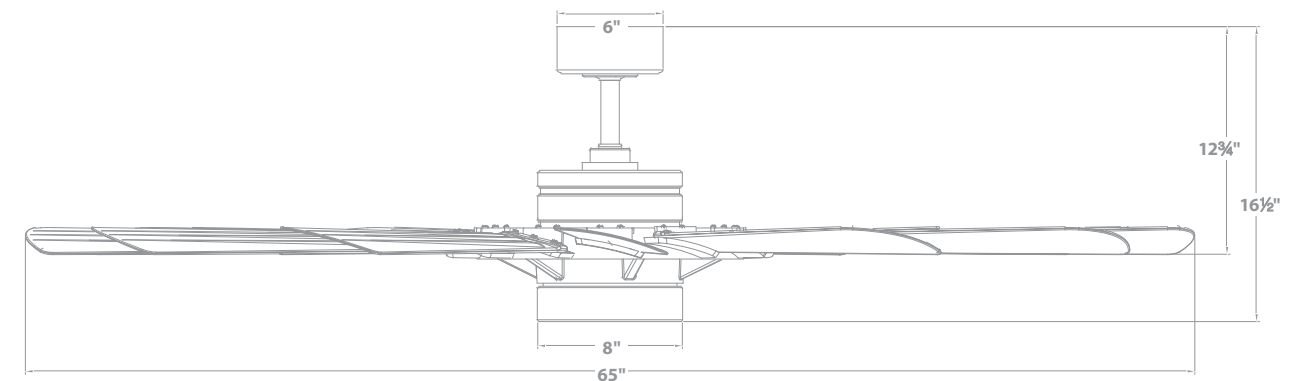
65" Windmill



ENERGY GUIDE

Standard	High Speed	Weighted Average
Electricity	42 W	28 W
Airflow	8726 CFM	5957 CFM
Energy Costs*	-	\$9 yr
Efficiency	-	211 CFM/W

* Estimated annual energy cost based on \$0.12 per kWh and 6.4 hours use per day.



ZELDA

Shown: F-088L-SB/MB



60 inch: F-088L 

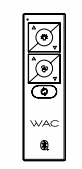
Finish	Housing	Blade
BN/MB	Brushed Nickel	Matte Black
SB/MB	Soft Brass	Matte Black

SPECIFICATIONS

60" Zelda

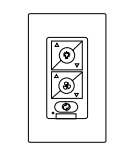
Blade:	14° Pitch, 60" Sweep, ABS
Lead Wire:	80
Downrod:	0.75"ID x 4.5"H Included
Mounting Slope:	Up to 30° standard
Hanging Weight:	17 lbs
Total Power:	44 W
Lumens:	1600
LED Power:	19.5 W
CRI:	90
Color Temperature:	3000K
LED Rated Life:	50,000 hrs

BLUETOOTH REMOTE CONTROL

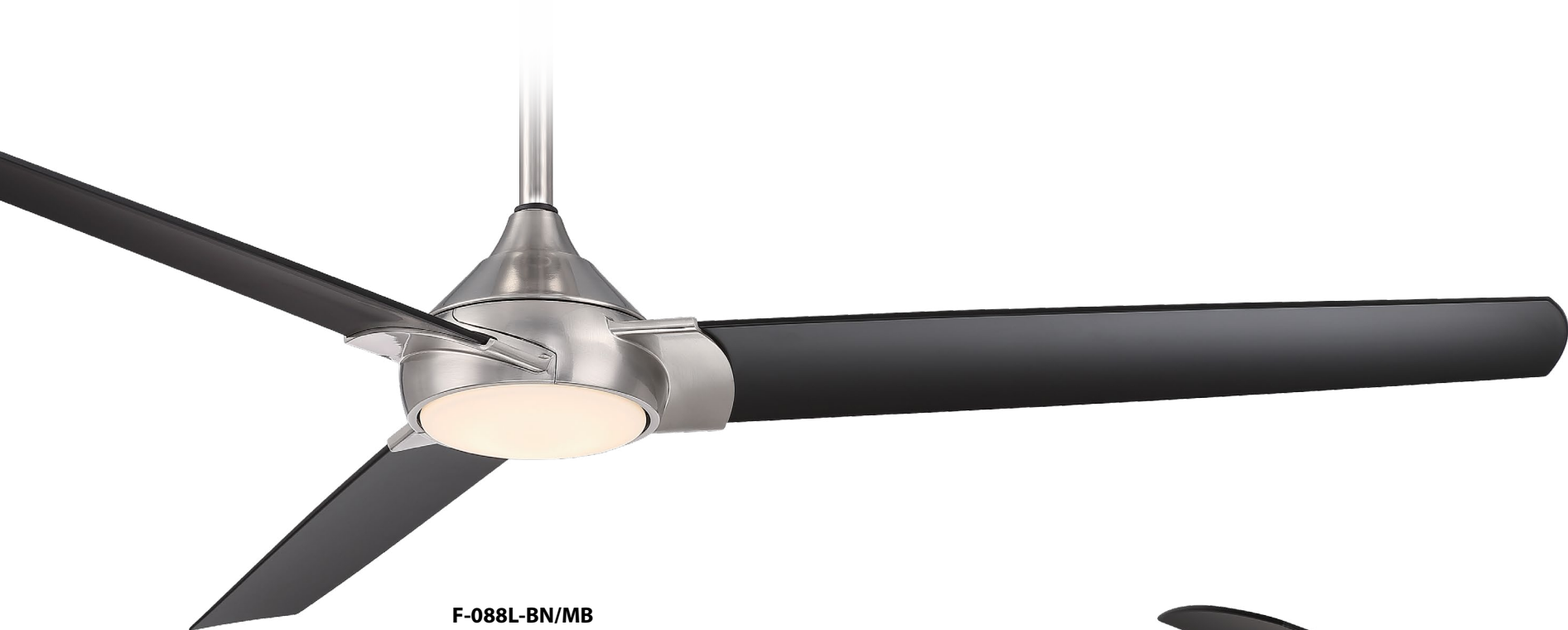


RC20-WT
 Included with each fan
 6 speeds
 ON/OFF

OPTIONAL BLUETOOTH WALL CONTROL



WC20-WT
 Optional with each fan
 6 speeds
 ON/OFF



F-088L-BN/MB
Brushed Nickel/Matte Black



F-088L-SB/MB
Soft Brass/Matte Black

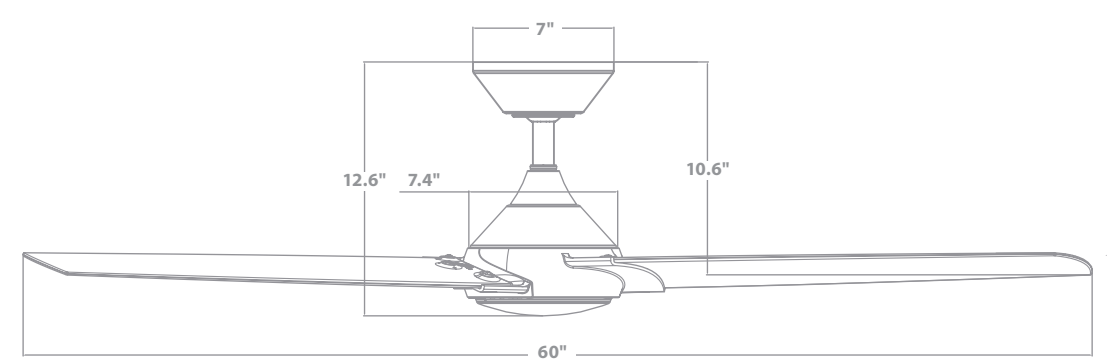
60" Zeldá



ENERGY GUIDE

Standard	High Speed	Weighted Average
Electricity	24W	18 W
Airflow	5801 CFM	3797 CFM
Energy Costs*	-	\$5 yr
Efficiency	-	207 CFM/W

* Estimated annual energy cost based on \$0.12 per kWh and 6.4 hours use per day.



ACCESSORIES

Bluetooth Remote Control



RC20-WT
6 fan speeds
100-0% dimming
ON/OFF/REVERSE

Bluetooth Wall Control



WC20-WT
6 fan speeds
Dims light to 1%
ON/OFF/REVERSE

Suggested Downrod Height Usage

Ceiling Height	15'	14'	13'	12'	11'	10'	9'
Downrod	72"	60"	48"	36"	24"	18"	12"

Sloped Ceiling Kit

Designed to accommodate buildings with steeper sloped ceilings up to 45° or 12/12 pitch

Sloped Ceiling Kit



SC-SCK

BN Brushed Nickel
MB Matte Black
MW Matte White
OB Oil-Rubbed Bronze
SB Soft Brass

Example: **XF-SCK-TT**

Downrod and Cap Couplers

Downrod	DR-12	12in	DR-48	48in	All our downrods are 0.75" I.D. and are threaded on the motor end to create an extra layer of security and allow for adjustments in the field.
	DR-18	18in	DR-60	60in	
	DR-24	24in	DR-72	72in	
	DR-36	36in			

Downrod Couplers



DC-I

Connects two downrods together

Example: **DR-18-MB**

Sloped Ceiling Degree Conversion Chart

Degree	4-8°	9-13°	14-17°	18-21°	22-25°	26-29°	30-32°	33-35°	36-38°	39-41°	42-44°	45°
Ceiling Slope Pitch	1/12 Pitch	2/12 Pitch	3/12 Pitch	4/12 Pitch	5/12 Pitch	6/12 Pitch	7/12 Pitch	8/12 Pitch	9/12 Pitch	10/12 Pitch	11/12 Pitch	12/12 Pitch

Alphabetical Index

Aella	4	Mod	40
Blitzen	8	Odyssey	44
Clean	12	Odyssey Flush 44	48
Eclipse	16	Odyssey Flush 52	48
Hug 44	20	Rotary	52
Hug 52	20	Stella	56
Loft	24	Swirl	60
Malibu	28	Viper	64
Mocha	32	Windmill	68
Mocha XL	36	Zelda	72

• New model for 2024

Entire Line of WAC Smart Fans

Size	Model	Name	Page	Finishes	Wet Listing	Luminaire	CFM
22"	F-096L	AELLA	4	AB, BN, MB	DAMP	YES	1191
38"	F-094L	LOFT	24	MB, MW, SB/MB	WET	YES	4057
44"	F-036L	HUG	20	BN, MB, MW	DAMP	YES	3619
44"	F-034L	ODYSSEY FLUSH	48	BN, MB, MW	DAMP	YES	3517
52"	F-003	CLEAN	12	BA, MB, MW, SB/MB, SB/MW	WET	NO	5924
52"	F-003L	CLEAN	12	BA, MB, MW, SB/MB, SB/MW	WET	YES	5924
52"	F-037L	HUG	20	BN, MB, MW	DAMP	YES	4469
52"	F-005L	ODYSSEY	44	BN, MB, MW	DAMP	YES	5042
52"	F-035L	ODYSSEY FLUSH	48	BN, MB, MW	DAMP	YES	4782
54"	F-060	BLITZEN	8	BN, MB, MW, SB/MB	DAMP	NO	4796
54"	F-060L	BLITZEN	8	BN, MB, MW, SB/MB	DAMP	YES	4796
54"	F-053L	ECLIPSE	16	SB/MB, SB/MW	DAMP	YES	5106
54"	F-054L	MOD	40	MB/DK, SB/MB	WET	YES	6817
54"	F-001	MOCHA	32	BA, MB, MW, OB/BZ, SB/MW	WET	NO	6872
54"	F-001L	MOCHA	32	BA, MB, MW, OB/BZ, SB/MW	WET	YES	6872
54"	F-074L	SWIRL	60	MB, MB/DK, SB/MB, SB/MW	WET	YES	5650
60"	F-056L	STELLA	56	MB, MW	WET	YES	5906
60"	F-071L	VIPER	64	BN/MB, MB, SB/MB	WET	YES	5501
60"	F-088L	ZELDA	72	BN/MB, SB/MB	DAMP	YES	5801
65"	F-096L	ROTARY	52	BN/MB, SB/MB	DAMP	YES	7018
65"	F-080L	WINDMILL	68	MB/DK, OB/DW	WET	YES	8726
66"	F-064	MOCHA XL	36	MB, MW	WET	NO	10853
66"	F-064L	MOCHA XL	36	MB, MW	WET	YES	10853
70"	F-089	MALIBU	28	BN/EB, MB/DW	WET	NO	7749

NOTES:

Headquarters

Tel: 800.526.2588
Fax: 800.526.5285
44 Harbor Park Dr
Port Washington, NY 11050

Distribution and Assembly Facilities

South East

1600 Distribution Ct
Lithia Springs, GA 30122

Central

1700 South J Elmer Freeway
Suite 100
Cedar Hill, TX 75104

West

1750 S Archibald Ave
Ontario, CA 91761

Consult our facility to take advantage of our custom capabilities in large quantities.
For up to date product specifications and assistance
please visit wacighting.com
or call
1-800-526-2588

WACLIGHTING.COM



WAC

SMART FANS

We retain the right to modify the design of our product at any time as part of the company's continuous improvement program. Please refer to our website for the latest product specifications.

This catalog includes many patented and patent-pending products or features. We will not hesitate to enforce our intellectual property rights through injunctive relief and seek further relief through damages if we have reason to believe the patents are being infringed.

Copyright © 2024. All rights reserved. This catalog is copyrighted. We will use all measures available to us under the law against anyone who copies or derives from our copyrighted work.

WACLIGHTING.COM