



dweLED

By WAC

INTRODUCING dweLED 2024 LUMINAIRES

We are excited to unveil our latest dweLED collections that continue our tradition of pushing the envelope of design and technology. These luminaires are inspired, breathtaking designs, creating a fusion of beauty for indoor and outdoor applications.

At dweLED, we are committed to making strides towards a greener and more eco-conscious future. In our pursuit of sustainability, we've decided to reduce the size of this supplement to minimize our ecological footprint and contribute to preserving our planet's resources.

There is a QR code next to each product listing to enhance your browsing experience. Scan the code with your smart device for access to the product pages of our website for complete details on the design, features and specifications of each luminaire.

FINISHES



Aged Brass
AB



Black
BK



Black Chrome
BC



Black/Aged Brass
BK/AB



Black/Brushed Nickel
BK/BN



Black/Gold
BK/GO



Brushed Aluminum
AL



Brushed Nickel
BN



Chrome
CH



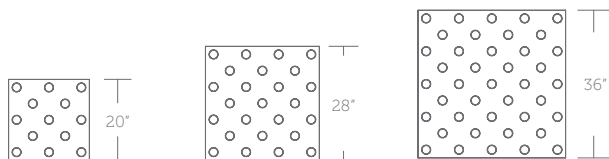
White
WT

dweLED Multi-Lights



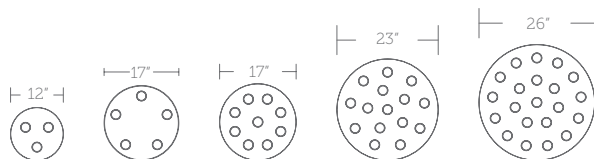
dweLED presents our new collection of multi-light fixtures, which incorporates multiple pendants that can be installed onto one square, round or linear canopy. These pendant styles can be arranged in various ways on a single canopy to create an artful statement as well as deliver ample lighting to various spaces throughout a home or business.

SQUARE CANOPY 13, 25 & 41 LIGHTS



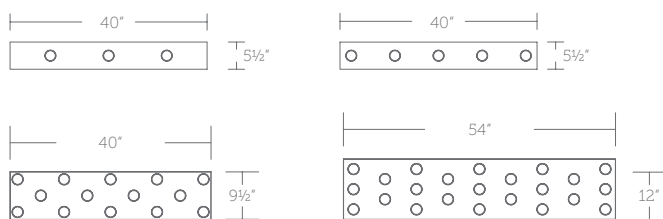
Product	Page #
ICE CUBE	2-3
INTERLACE	4-5
QUILL	6-7
VIGGO	8-9

ROUND CANOPY 3, 5, 9, 15 & 21 LIGHTS



Product	Page #
ICE CUBE	2-3
INTERLACE	4-5
QUILL	6-7
VIGGO	8-9
VORNADO	10
WHIRL	11

LINEAR CANOPY 3, 5, 14 & 23 LIGHTS

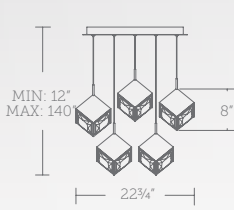


Product	Page #
ICE CUBE	2-3
INTERLACE	4-5
QUILL	6-7
VIGGO	8-9

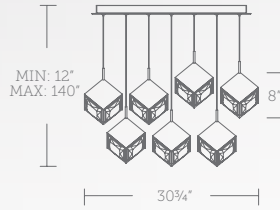
ICE CUBE MULTI-LIGHTS



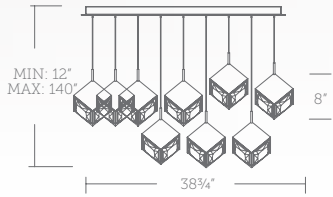
SQUARE CANOPY



PD-29313S



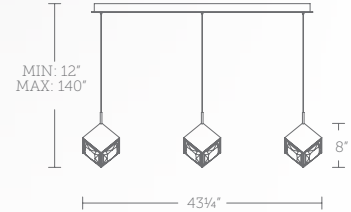
PD-29325S



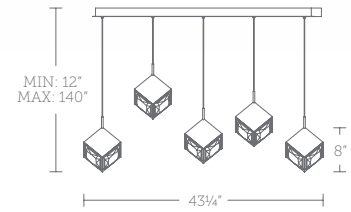
PD-29341S



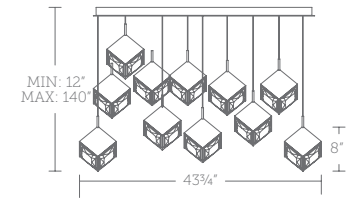
LINEAR CANOPY



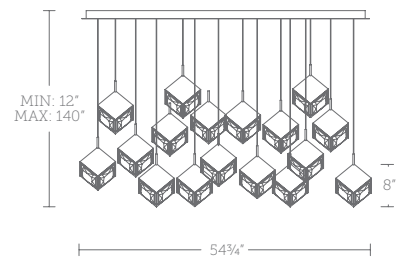
PD-29303L



PD-29305L



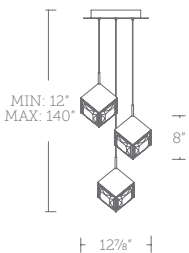
PD-29314L



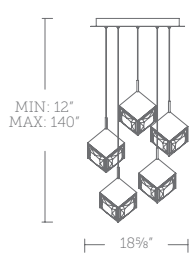
PD-29323L



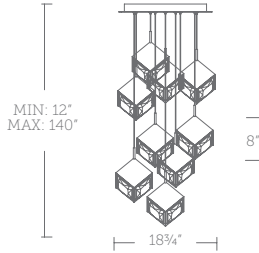
ROUND CANOPY



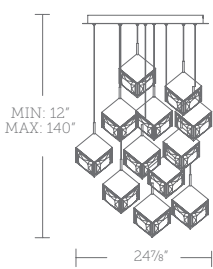
PD-29303R



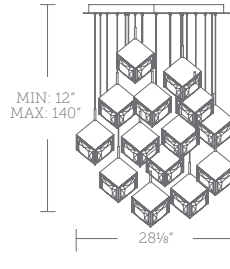
PD-29305R



PD-29309R



PD-29315R



PD-29321R

MULTI-LIGHTS ICE CUBE



- Faceted K9 crystal is like a hand-cut jewel within a gleaming cube
- Low profile, adjustable powered aircraft cables for an ultra-clean look
- Built in color temperature adjustability. Switch from 2700K/3000K/3500K/4000K
- Canopy conceals a proprietary universal 120V-277V driver

CCT	CRI	Voltage	Dimming	Rated Life
2700K	90	120V-277V	ELV, 0-10V, TRIAC	50,000 hours
3000K				
3500K				
4000K				

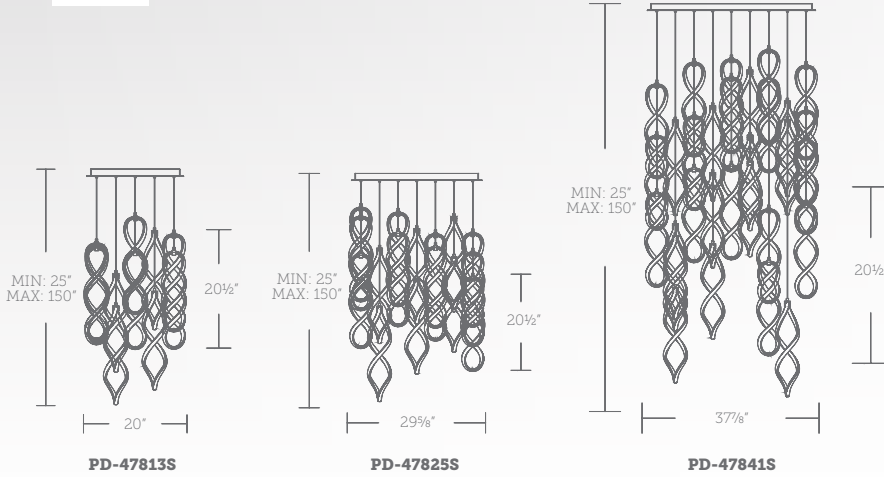
Model No.	# of Lights	Canopy	Wattage	LED Lumens	Delivered Lumens	Finish	Min	Max
PD-29313S	13 Light		93W	7,900	4,970			
PD-29325S	25 Light	Square	180W	15,300	9,640	AB, BK	12"	140"
PD-29341S	41 Light		294W	25,200	15,870			
PD-29303R	3 Light		21W	1,800	1,130			
PD-29305R	5 Light		36W	3,060	1,930			
PD-29309R	9 Light	Round	65W	5,580	3,515	AB, BK	12"	140"
PD-29315R	15 Light		108W	9,180	5,780			
PD-29321R	21 Light		150W	12,800	8,060			
PD-29303L	3 Light		21W	1,800	1,130			
PD-29305L	5 Light	Linear	36W	3,060	1,930	AB, BK	12"	140"
PD-29314L	14 Light		102W	8,600	5,420			
PD-29323L	23 Light		165W	14,000	8,820			

Example: **PD-29305L-BK**

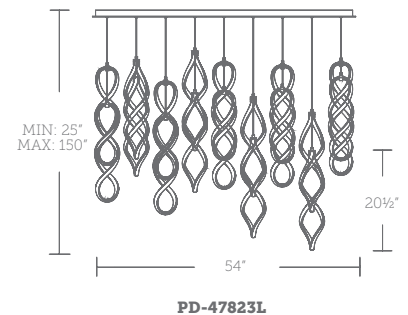
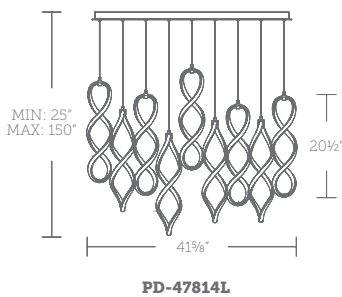
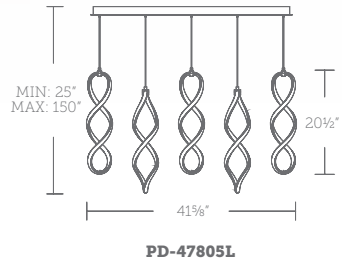
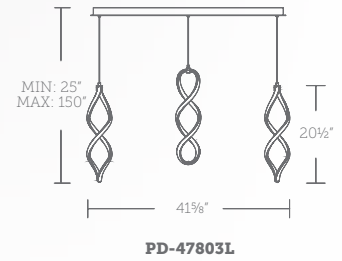
INTERLACE MULTI-LIGHTS



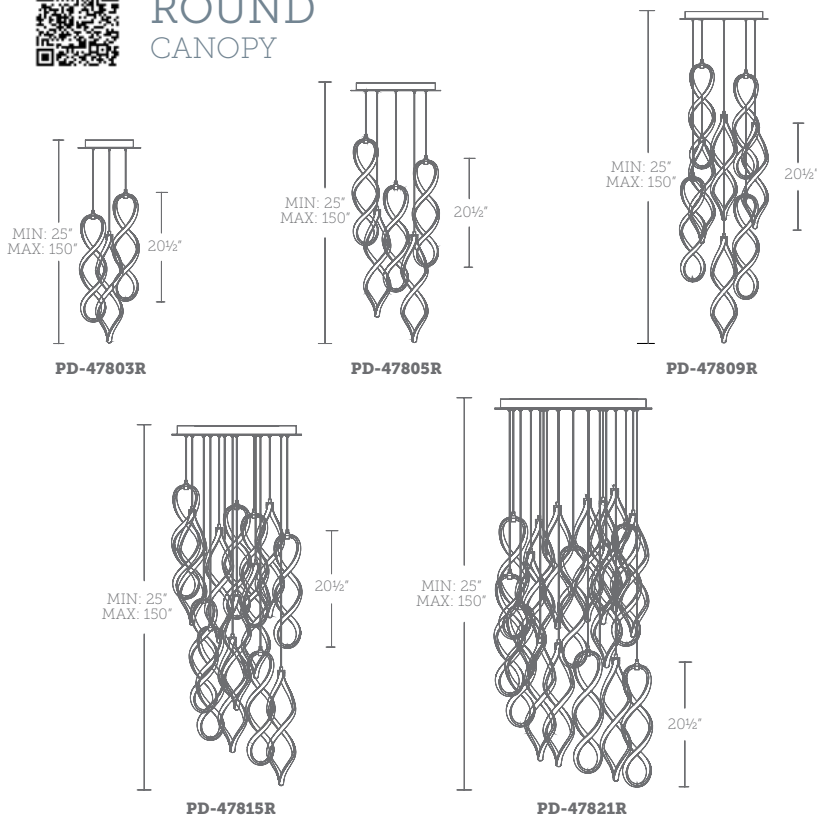
SQUARE CANOPY



LINEAR CANOPY



ROUND CANOPY



MULTI-LIGHTS INTERLACE



- Delicate bands of soft LED illumination weave playfully downward
- Low profile, adjustable powered aircraft cables for an ultra-clean look
- Omnidirectional diffused illumination
- Built in color temperature adjustability. Switch from 2700K/3000K/3500K/4000K
- Canopy conceals a proprietary universal 120V-277V driver

CCT	CRI	Voltage	Dimming	Rated Life
2700K	90	120V-277V	ELV, 0-10V, TRIAC	50,000 hours
3000K				
3500K				
4000K				

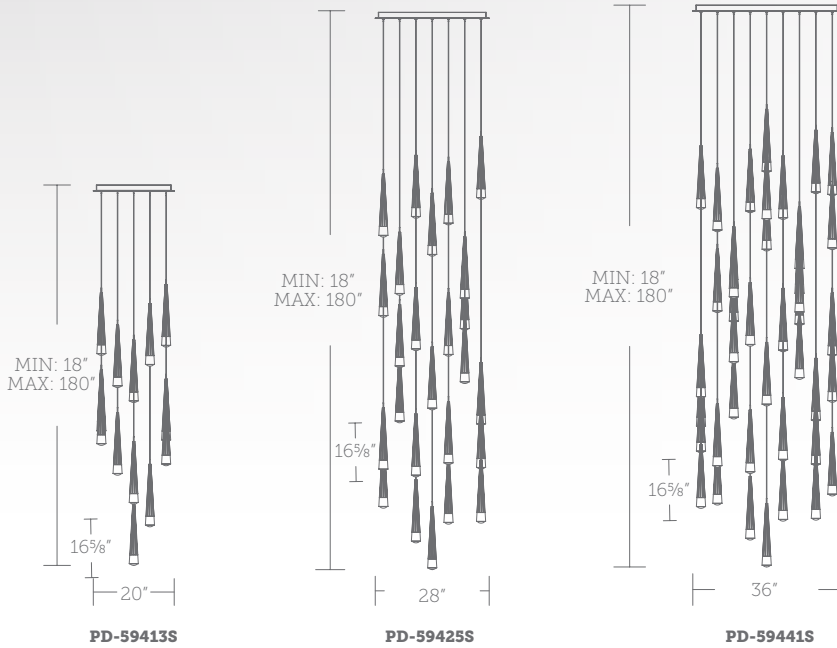
Model No.	# of Lights	Canopy	Wattage	LED Lumens	Delivered Lumens	Finish	Min	Max
PD-47813S	13 Light		278W	13,016	12,577			
PD-47825S	25 Light	Square	536W	25,031	24,186	BK, CH	25"	150"
PD-47841S	41 Light		878W	41,051	39,665			
PD-47803R	3 Light		64W	3,004	2,902			
PD-47805R	5 Light		107W	5,006	4,837			
PD-47809R	9 Light	Round	193W	9,011	8,707	BK, CH	25"	150"
PD-47815R	15 Light		321W	15,019	14,511			
PD-47821R	21 Light		450W	21,026	20,316			
PD-47803L	3 Light		64W	3,004	2,902			
PD-47805L	5 Light	Linear	107W	5,006	4,837	BK, CH	25"	150"
PD-47814L	14 Light		300W	14,018	13,544			
PD-47823L	23 Light		493W	23,029	22,251			

Example: **PD-47805R-CH**

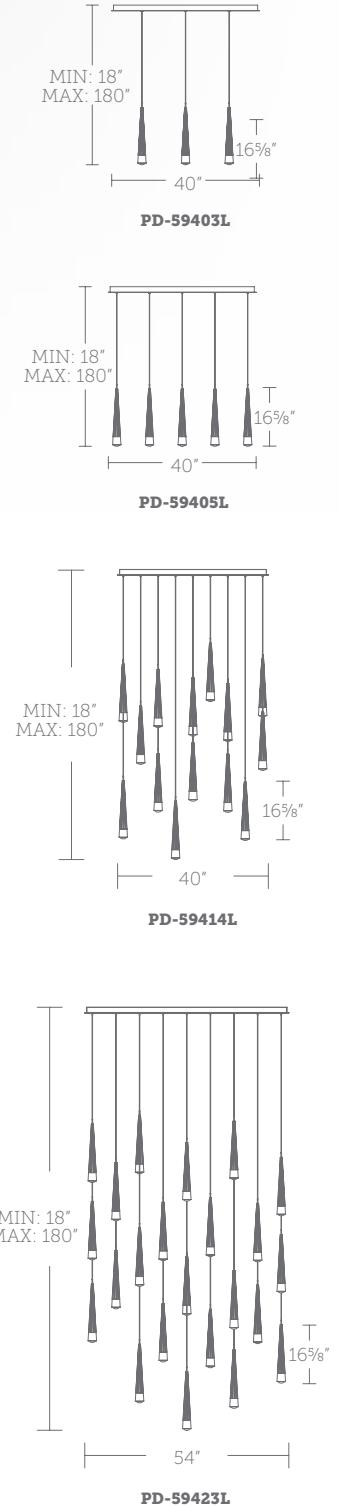
QUILL MULTI-LIGHTS



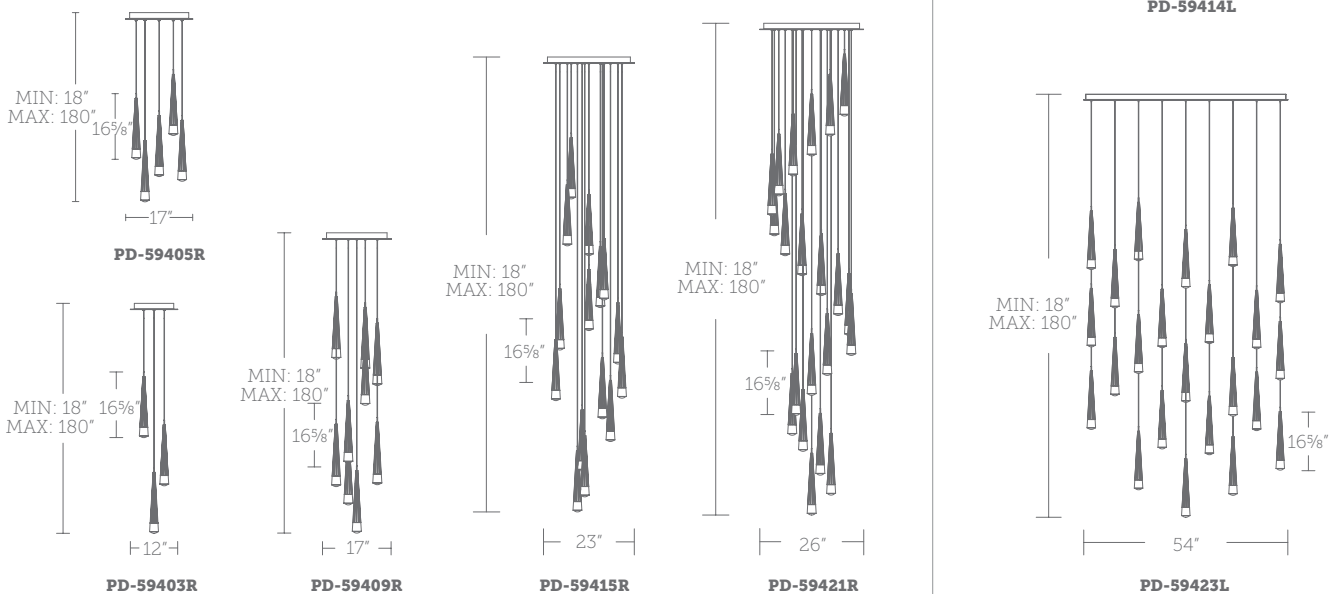
SQUARE CANOPY



LINEAR CANOPY



ROUND CANOPY





- V-groove flared glass is encircled by a band of metal
- Low profile, adjustable powered aircraft cables for an ultra-clean look
- Built in color temperature adjustability. Switch from 2700K/3000K/3500K/4000K
- Canopy conceals a proprietary 120V/277V driver

CCT	CRI	Voltage	Dimming	Rated Life
2700K	90	120V/277V	ELV, TRIAC	50,000 hours
3000K				
3500K				
4000K				

Model No.	# of Lights	Canopy	Wattage	LED Lumens	Delivered Lumens	Finish	Min	Max
PD-59413S	13 Light		104W	7,839	6,751	AB, BK, CH		
PD-59425S	25 Light	Square	200W	15,075	12,983		18"	180"
PD-59441S	41 Light		328W	24,723	21,291			
PD-59403R	3 Light		24W	1,809	1,558	AB, BK, CH		
PD-59405R	5 Light		40W	3,015	2,597			
PD-59409R	9 Light	Round	72W	5,427	4,674		18"	180"
PD-59415R	15 Light		120W	9,045	7,790			
PD-59421R	21 Light		168W	12,663	10,905			
PD-59403L	3 Light		24W	1,809	1,558	AB, BK, CH		
PD-59405L	5 Light	Linear	40W	3,015	2,597		18"	180"
PD-59414L	14 Light		112W	8,442	7,270			
PD-59423L	23 Light		184W	13,869	11,944			

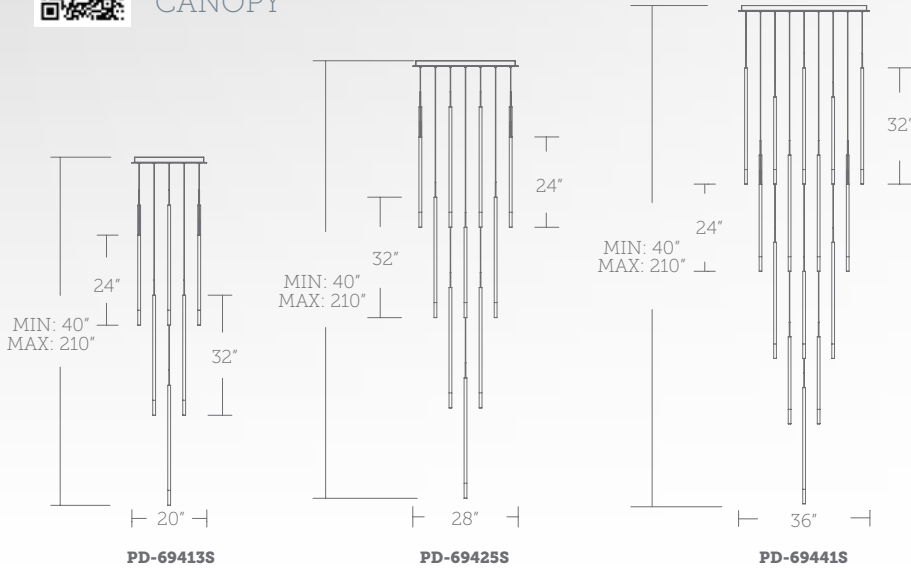
Example: **PD-59423L-AB**

See complementary pieces on page 20

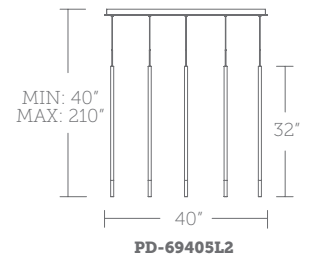
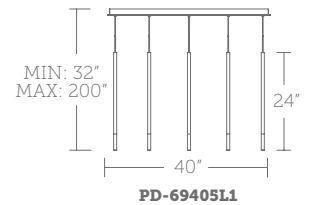
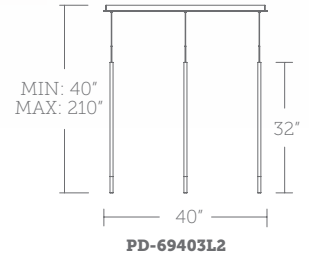
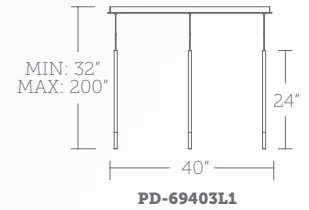
VIGGO MULTI-LIGHTS



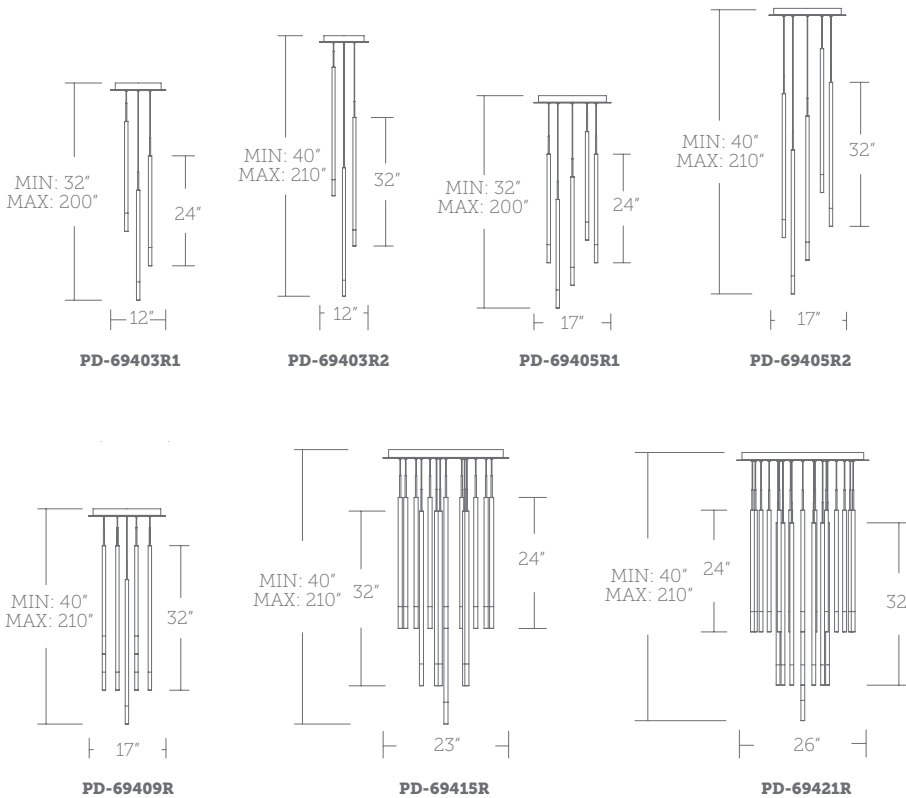
SQUARE CANOPY

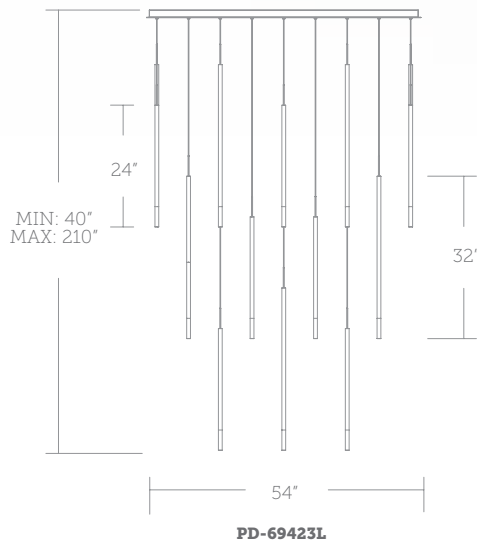
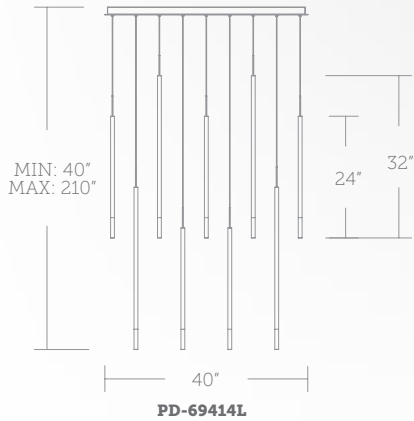


LINEAR CANOPY



ROUND CANOPY





- Refined metallic pendant is tipped with an acrylic diffuser
- Low profile, adjustable powered aircraft cables for an ultra-clean look
- Built in color temperature adjustability. Switch from 2700K/3000K/3500K/4000K
- Canopy conceals a proprietary 120V/277V driver

CCT	CRI	Voltage	Dimming	Rated Life
2700K	90	120V/277V	ELV, TRIAC	50,000 hours
3000K				
3500K				
4000K				

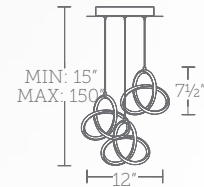
Model No.	# of Lights	Element Length	Canopy	Wattage	LED Lumens	Delivered Lumens	Finish	Min	Max
PD-69413S	13 Light	24" & 32"		62W	5,895	2,862			
PD-69425S	25 Light	24" & 32"	Square	118W	10,916	5,300	BK	40"	210"
PD-69441S	41 Light	24" & 32"		195W	18,340	8,904			
PD-69403R1	3 Light	24"		15W	1,528	740		32"	200"
PD-69403R2	3 Light	32"		15W	1,528	740		40"	210"
PD-69405R1	5 Light	24"		21W	2,183	1,060		32"	200"
PD-69405R2	5 Light	32"	Round	21W	2,183	1,060	BK	40"	210"
PD-69409R	9 Light	32"		43W	4,366	2,120		40"	210"
PD-69415R	15 Light	24" & 32"		70W	6,550	3,180		40"	210"
PD-69421R	21 Light	24" & 32"		100W	9,606	4,660		40"	210"
PD-69403L1	3 Light	24"		15W	1,528	740		32"	200"
PD-69403L2	3 Light	32"		15W	1,528	740		40"	210"
PD-69405L1	5 Light	24"		21W	2,183	1,060		32"	200"
PD-69405L2	5 Light	32"	Linear	21W	2,183	1,060	BK	40"	210"
PD-69414L	14 Light	24" & 32"		70W	6,550	3,180		40"	210"
PD-69423L	23 Light	24" & 32"		110W	10,261	4,982		40"	210"

Example: **PD-69421R-BK**

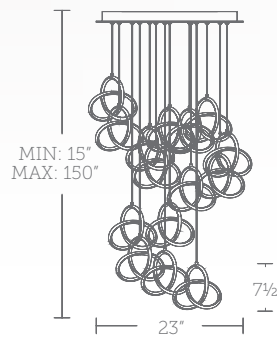
See complementary pieces on page 22

VORNADO MULTI-LIGHTS

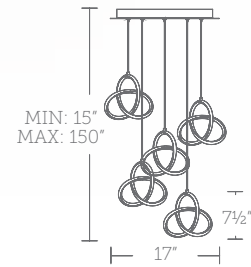
ROUND CANOPY



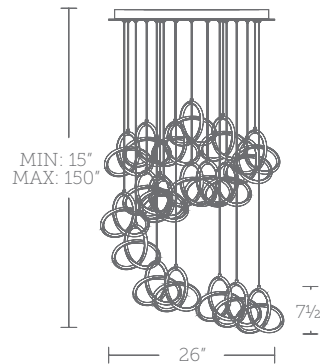
PD-84903R



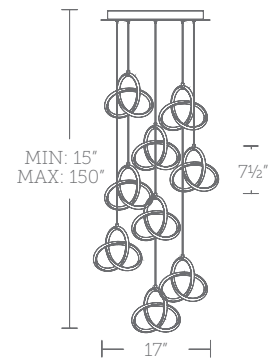
PD-84915R



PD-84905R



PD-84921R



PD-84909R



- Seamless curves of metal embrace silicon diffusers
- Low profile, adjustable powered aircraft cables for an ultra-clean look
- Omnidirectional diffused illumination
- Hand-crafted, asymmetric & seamless construction, variation expected
- Canopy conceals a proprietary universal 120V/277V driver

CCT	CRI	Voltage	Dimming	Rated Life
3000K	90	120V/277V	ELV, TRIAC	50,000 hours

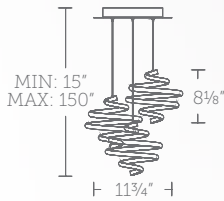
Model No.	# of Lights	Canopy	Wattage	LED Lumens	Delivered Lumens	Finish	Min	Max
PD-84903R	3 Light		44W	2,708	2,383			
PD-84905R	5 Light		77W	4,463	4,061			
PD-84909R	9 Light	Round	138W	8,034	7,505	BK, CH	15"	150"
PD-84915R	15 Light		230W	13,390	12,509			
PD-84921R	21 Light		321W	18,746	17,513			

Example: **PD-84903R-CH**

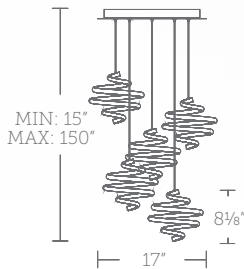
See complementary pieces on page 31



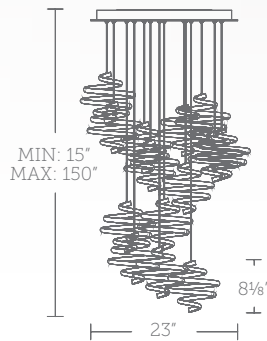
ROUND CANOPY



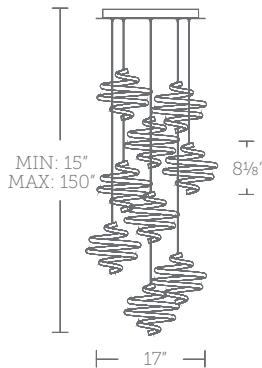
PD-19403R



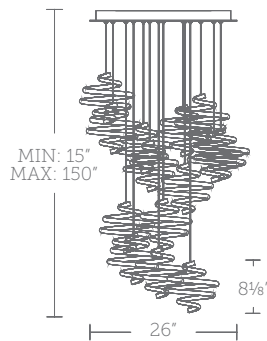
PD-19405R



PD-19415R



PD-19409R



PD-19421R



- Whirling in space, curves of illumination are backed by a black frame
- Low profile, adjustable powered aircraft cables for an ultra-clean look
- Built in color temperature adjustability. Switch from 2700K/3000K/3500K/4000K
- Canopy conceals a proprietary universal 120V/277V driver

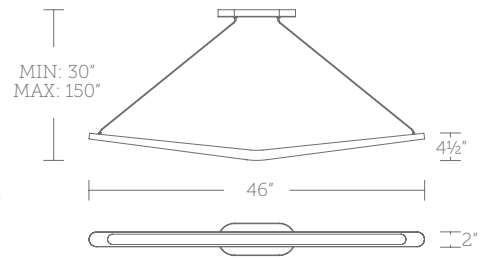
Model No.	# of Lights	Canopy	Wattage	LED Lumens	Delivered Lumens	Finish	Min	Max
PD-19403R	3 Light		63W	3,219	2,897			
PD-19405R	5 Light		101W	4,963	4,621			
PD-19409R	9 Light	Round	187W	8,934	8,318	BK	15"	150"
PD-19415R	15 Light		315W	14,685	13,556			
PD-19421R	21 Light		439W	20,383	18,142			

CCT	CRI	Voltage	Dimming	Rated Life
2700K	90	120V/277V	ELV, TRIAC	50,000 hours
3000K				
3500K				
4000K				

Example: **PD-19405R-BK**

See complementary pieces on page 22

ALLERON 46" CHANDELIER

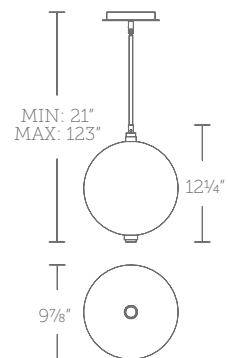


- Cambered wings deliver a diffused downward glow
- Low profile, adjustable powered aircraft cables for an ultra-clean look
- May be mounted on a sloped ceiling
- Built in color temperature adjustability. Switch from 2700K/3000K/3500K/4000K
- Pill shaped canopy with minimal hardware
- Thin canopy conceals a proprietary universal 120V-277V driver

Model No.	Size	CCT	CRI	Voltage	Wattage	LED Lumens	Delivered Lumens	Dimming	Rated Life	Finish	Dimensions				
											L	W	H	Min	Max
PD-13446	46"	-27	90	120V-277V	37W	1,720	1,547	ELV, TRIAC	50,000 hours	BK, BN	46"	2"	4½"	30"	150"
		-30													
		-35													
		-40													

Example: **PD-13446-30-BN**

ANAKIN 10" MINI PENDANT



- A transparent globe surrounds a brilliant tube of LED light
- LED filament technology
- Spin-on round canopy with minimal hardware
- May be mounted on a sloped ceiling
- Three 12" and one 6" downrods included (additional downrods available)
- Thin canopy conceals a proprietary 120V/277V driver

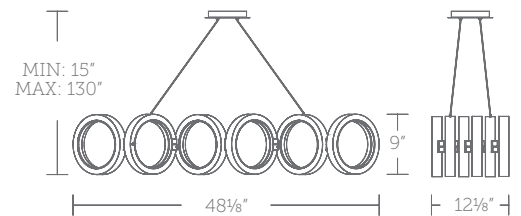
Model No.	Size	CCT	CRI	Voltage	Wattage	LED Lumens	Delivered Lumens	Dimming	Rated Life	Finish	Dimensions				
											L	W	H	Min	Max
PD-51410	10"	3000K	90	120V/277V	5W	300	254	ELV, TRIAC	50,000 hours	BK	9⅞"	9⅞"	12¼"	21"	123"

Example: **PD-51410-BK**

CABOT 48" CHANDELIER



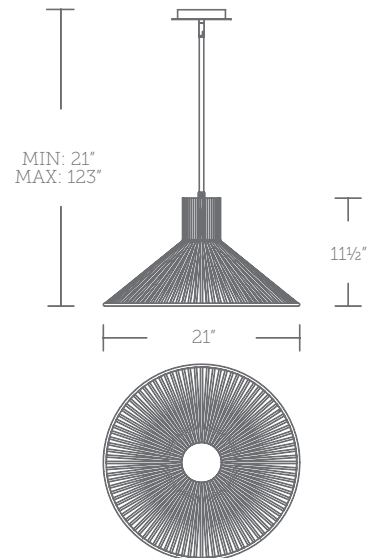
- A foldable linear design of metal rings and silicon diffusers
- Low profile, adjustable powered aircraft cables for an ultra-clean look
- Contracts and extends for an adjustable length and customized look
- Spin-on round canopy with minimal hardware
- May be mounted on a sloped ceiling
- Built in color temperature adjustability.
Switch from 2700K/3000K/3500K/4000K
- Thin canopy conceals a 120V driver



Model No.	Size	CCT	CRI	Voltage	Wattage	LED Lumens	Delivered Lumens	Dimming	Rated Life	Finish	Dimensions				
											L	W	H	Min	Max
PD-53448	48"	-27 -30 -35 -40	90	120V	40W	2,560	1,600	ELV, TRIAC	50,000 hours	BK	12 1/8" - 48 1/8"	9"	9"	15"	130"

Example: **PD-53448-30-BK**

CAPPE 21" PENDANT

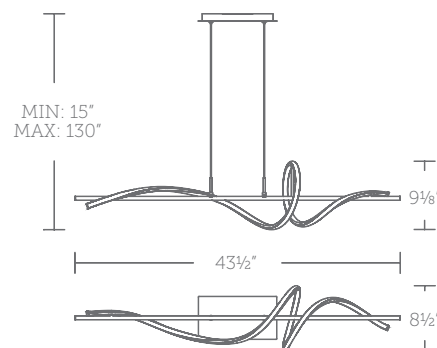


- Narrow metal rods descend into a wide brim of ambient illumination
- Three 12" and one 6" downrods included (additional downrods available)
- Spin-on round canopy with minimal hardware
- May be mounted on a sloped ceiling
- Built in color temperature adjustability. Switch from 2700K/3000K/3500K/4000K
- Canopy conceals a 120V driver

Model No.	Size	CCT	CRI	Voltage	Wattage	LED Lumens	Delivered Lumens	Dimming	Rated Life	Finish	Dimensions				
											L	W	H	Min	Max
PD-17421	21"	-27	90	120V	15W	1,300	501	ELV, TRIAC	50,000 hours	BK	21"	21"	11½"	21"	123"
		-30													
		-35													
		-40													

Example: **PD-17421-30-BK**

CORKSCREW 43" PENDANT

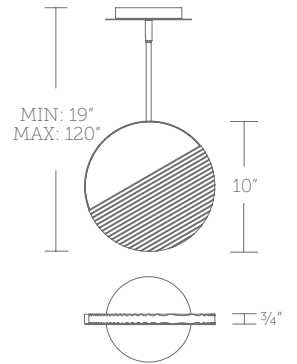


- A playful band of light spirals around a linear bar
- Low profile, adjustable powered aircraft cables for an ultra-clean look
- Rectangular canopy with minimal hardware
- May be mounted on a sloped ceiling
- Built in color temperature adjustability. Switch from 2700K/3000K/3500K/4000K
- Thin canopy conceals a proprietary universal 120V-277V driver

Model No.	Size	CCT	CRI	Voltage	Wattage	LED Lumens	Delivered Lumens	Dimming	Rated Life	Finish	Dimensions				
											L	W	H	Min	Max
PD-39443	43"	-27	90	120V-277V	38W	2,862	1,785	ELV, TRIAC	50,000 hours	BK	43½"	8½"	9⅞"	15"	130"
		-30													
		-35													
		-40													

Example: **PD-39443-30-BK**

CRESCENT 10" MINI PENDANT



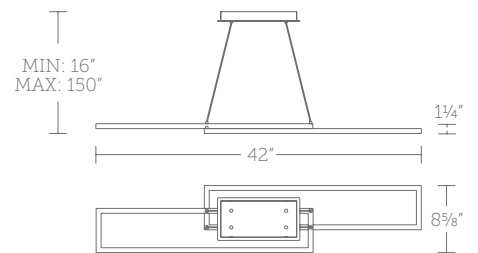
- A clear, ribbed acrylic crescent throws lovely illumination
- Three 12" and one 6" downrods included (additional downrods available)
- Spin-on round canopy with minimal hardware
- May be mounted on a sloped ceiling
- Built in color temperature adjustability. Switch from 2700K/3000K/3500K/4000K
- 0-10V dimming option available with additional component # LDS065M010AFE-LO1. Component dimensions: 3.4" x 1.2" x 0.5"
- ACLED driverless technology

Model No.	Size	CCT	CRI	Voltage	Wattage	LED Lumens	Delivered Lumens	Dimming	Rated Life	Finish	Dimensions				
											L	W	H	Min	Max
PD-25410	10"	-27	90	120V	11W	590	532	ELV, TRIAC	50,000 hours	AB	10"	3/4"	10"	19"	120"
		-30													
		-35													
		-40													

Example: **PD-25410-30-AB**

See complementary pieces on page 27

DOUBLE ENTENDRE 42" PENDANT

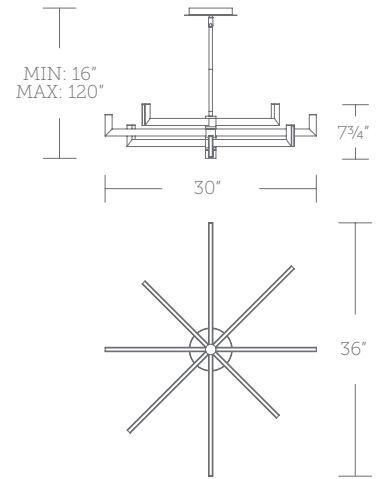


- Dual-toned design of airy rectangles and LED illumination
- Low profile, adjustable powered aircraft cables for an ultra-clean look
- Rectangular canopy with minimal hardware
- May be mounted on a sloped ceiling
- Built in color temperature adjustability. Switch from 2700K/3000K/3500K/4000K
- Thin canopy conceals a proprietary universal 120V-277V driver

Model No.	Size	CCT	CRI	Voltage	Wattage	LED Lumens	Delivered Lumens	Dimming	Rated Life	Finish	Dimensions				
											L	W	H	Min	Max
PD-81442	42"	-27	90	120V-277V	33W	2,902	1,386	ELV, TRIAC	50,000 hours	BK/AB	42"	8 5/8"	1 1/4"	16"	150"
		-30													
		-35													
		-40													

Example: **PD-81442-30-BK/AB**

FERROUS 36" CHANDELIER

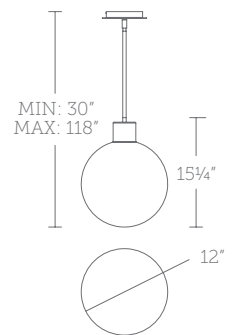


- Strong angles converge, forming a bespoke ring of ambient light
- Adjustable arms for a customized look
- Three 12" and one 6" downrods included (additional downrods available)
- Spin-on round canopy with minimal hardware
- May be mounted on a sloped ceiling
- Built in color temperature adjustability. Switch from 2700K/3000K/3500K/4000K
- Thin canopy conceals a proprietary universal 120V-277V driver

Model No.	Size	CCT	CRI	Voltage	Wattage	LED Lumens	Delivered Lumens	Dimming	Rated Life	Finish	Dimensions				
											L	W	H	Min	Max
PD-33436	36"	-27	90	120V-277V	40W	2,300	1,615	ELV, 0-10V, TRIAC	50,000 hours	BK	30"	36"	7 3/4"	16"	120"
		-30													
		-35													
		-40													

Example: **PD-33436-30-BK**

GAZE 12" MINI PENDANT

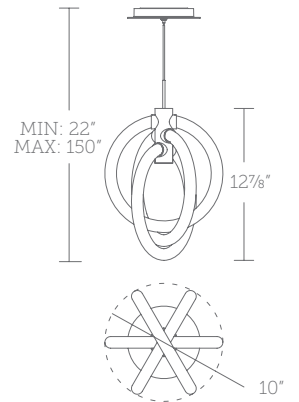


- A sphere composed of clear and frosted glass
- Three 12" and one 6" downrods included (additional downrods available)
- Spin-on round canopy with minimal hardware
- May be mounted on a sloped ceiling
- Built in color temperature adjustability. Switch from 2700K/3000K/3500K/4000K
- Thin canopy conceals a proprietary 120V/277V driver

Model No.	Size	CCT	CRI	Voltage	Wattage	LED Lumens	Delivered Lumens	Dimming	Rated Life	Finish	Dimensions				
											L	W	H	Min	Max
PD-23412	12"	-27	90	120V/277V	12W	570	485	ELV, TRIAC	50,000 hours	BK, BN	12"	12"	15 1/4"	30"	118"
		-30													
		-35													
		-40													

Example: **PD-23412-30-BN**

KNOT 13" MINI PENDANT

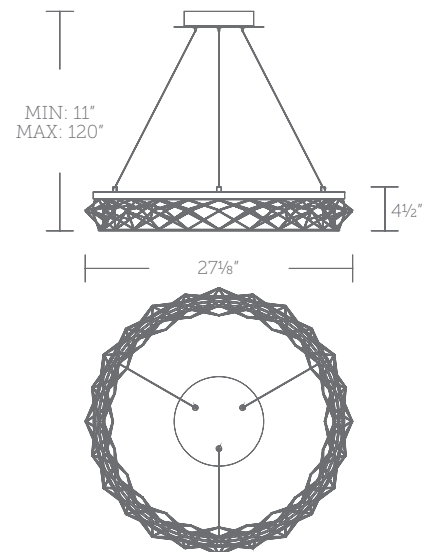
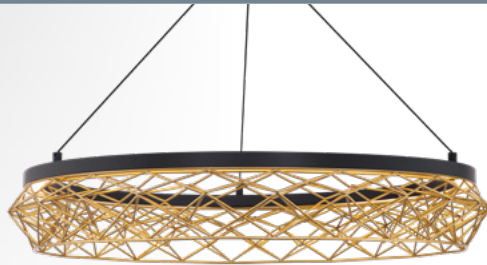


- Interlinked rings suspended from a metal collar form a stunning light sculpture
- Low profile, adjustable powered aircraft cables for an ultra-clean look
- Spin-on round canopy with minimal hardware
- May be mounted on a sloped ceiling
- Built in color temperature adjustability. Switch from 2700K/3000K/3500K/4000K
- Thin canopy conceals a proprietary 120V/277V driver

Model No.	Size	CCT	CRI	Voltage	Wattage	LED Lumens	Delivered Lumens	Dimming	Rated Life	Finish	Dimensions				
											L	W	H	Min	Max
PD-27413	13"	-27	90	120V/277V	27W	4,000	2,405	ELV, TRIAC	50,000 hours	AB, BK	10"	10"	12 7/8"	22"	150"
		-30													
		-35													
		-40													

Example: **PD-27413-30-AB**

LACEY 27" CHANDELIER

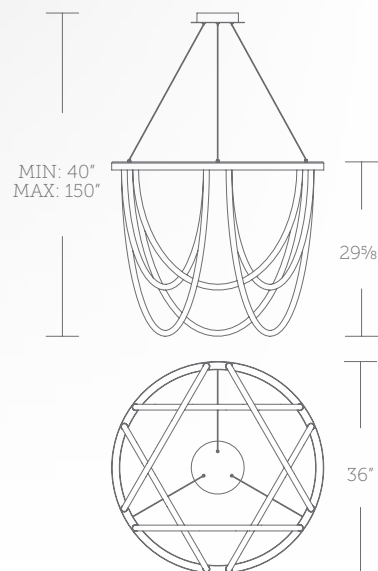


- Black metallic circle edged in gold filigree
- Downward illumination
- Low profile, adjustable powered aircraft cables for an ultra-clean look
- Spin-on round canopy with minimal hardware
- May be mounted on a sloped ceiling
- Thin canopy conceals a proprietary universal 120V-277V driver

Model No.	Size	CCT	CRI	Voltage	Wattage	LED Lumens	Delivered Lumens	Dimming	Rated Life	Finish	Dimensions				
											L	W	H	Min	Max
PD-45427	27"	3000K	90	120V-277V	54W	5,148	1,596	ELV, 0-10V, TRIAC	50,000 hours	BK/GO	27 1/8"	27 1/8"	4 1/2"	11"	120"

Example: **PD-45427-BK/GO**

MARGARITE 36" CHANDELIER

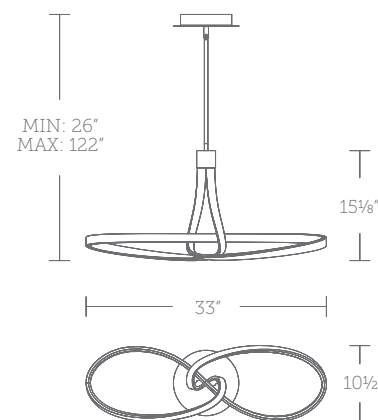


- Loops of diffused LED light grace a shining metal circlet
- Low profile, adjustable powered aircraft cables for an ultra-clean look
- Spin-on canopy design with minimal hardware
- May be mounted on a sloped ceiling
- Canopy conceals a proprietary universal 120V-277V driver

Model No.	Size	CCT	CRI	Voltage	Wattage	LED Lumens	Delivered Lumens	Dimming	Rated Life	Finish	Dimensions				
											L	W	H	Min	Max
PD-89436	36"	3000K	90	120V-277V	40W	4,200	2,520	ELV, 0-10V, TRIAC	50,000 hours	BK	36"	36"	29½"	40"	150"

Example: **PD-89436-BK**

MOBIUS 33" PENDANT



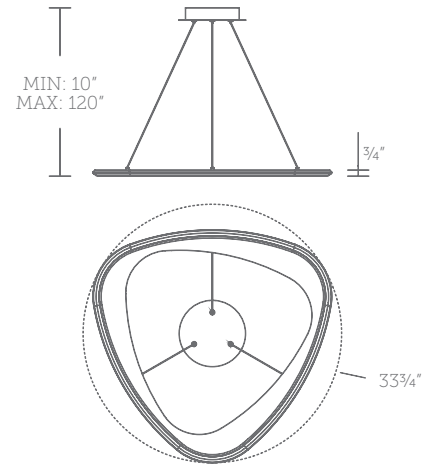
- A handcrafted curvaceous strip of light from a flexible, looping silicone diffuser. Variation expected
- Three 12" and one 6" downrods included (additional downrods available)
- Spin-on round canopy with minimal hardware
- May be mounted on a sloped ceiling
- Thin canopy conceals a proprietary universal 120V-277V driver

Model No.	Size	CCT	CRI	Voltage	Wattage	LED Lumens	Delivered Lumens	Dimming	Rated Life	Finish	Dimensions				
											L	W	H	Min	Max
PD-35433	33"	3000K	90	120V-277V	35W	3,500	2,325	ELV, TRIAC	50,000 hours	BK, CH	33"	10½"	15½"	26"	122"

Example: **PD-35433-CH**

See complementary pieces on page 35

OYSTER 33" PENDANT

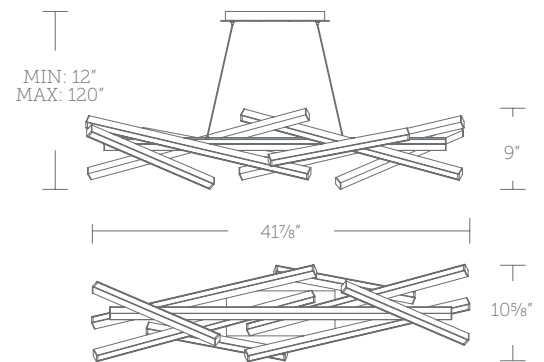


- A white diffuser flows organically within a band of black metal
- Low profile, adjustable powered aircraft cables for an ultra-clean look
- Spin-on canopy design with minimal hardware
- May be mounted on a sloped ceiling
- Built in color temperature adjustability. Switch from 2700K/3000K/3500K/4000K
- Thin canopy conceals a proprietary universal 120V-277V driver

Model No.	Size	CCT	CRI	Voltage	Wattage	LED Lumens	Delivered Lumens	Dimming	Rated Life	Finish	Dimensions				
											L	W	H	Min	Max
PD-41433	33"	-27	90	120V-277V	38W	2,642	1,482	ELV, TRIAC	50,000 hours	BC	33 ³ / ₄ "	33 ³ / ₄ "	3 ³ / ₄ "	10"	120"
		-30													
		-35													
		-40													

Example: **PD-41433-30-BC**

PARALLAX 42" & 55" PENDANT

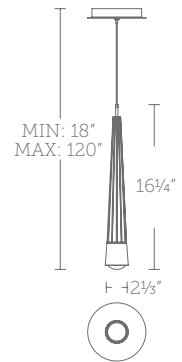


- Linear elements arranged in a mobile sculpture of crisp LED light
- Low profile, adjustable powered aircraft cables for an ultra-clean look
- Rectangular canopy design with minimal hardware
- May be mounted on a sloped ceiling
- Thin canopy conceals a proprietary 120V/277V driver

Model No.	Size	CCT	CRI	Voltage	Wattage	LED Lumens	Delivered Lumens	Dimming	Rated Life	Finish	Dimensions				
											L	W	H	Min	Max
PD-73142	42"	3000K	90	120V/277V	39W	2,294	1,522	ELV,	50,000 hours	AB, BK, BN	41 ⁷ / ₈ "	10 ⁵ / ₈ "	9"	12"	120"
PD-73155	55"				44W	2,496	1,657	TRIAC						30"	120"

Example: **PD-73142-BN**

QUILL 16" MINI PENDANT



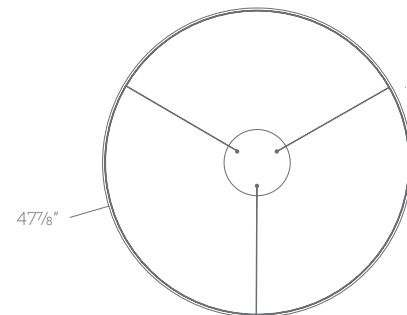
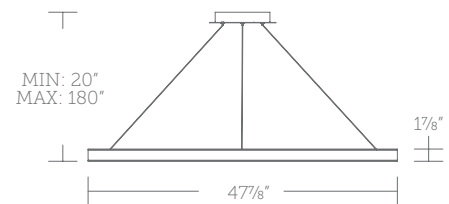
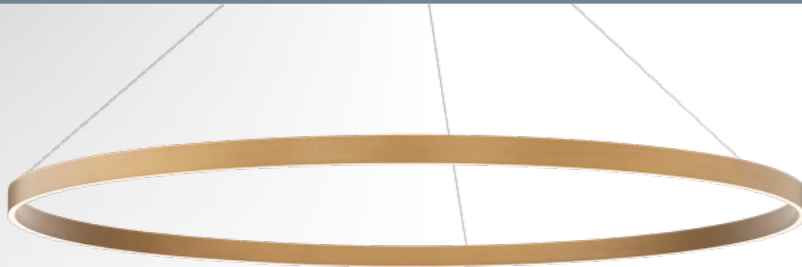
- A metallic band encircles V-flared glass
- Low profile, adjustable powered aircraft cables for an ultra-clean look
- Spin-on round canopy with minimal hardware
- May be mounted on a sloped ceiling
- Built in color temperature adjustability. Switch from 2700K/3000K/3500K/4000K
- Thin canopy conceals a proprietary 120V/277V driver

Model No.	Size	CCT	CRI	Voltage	Wattage	LED Lumens	Delivered Lumens	Dimming	Rated Life	Finish	Dimensions				
											L	W	H	Min	Max
PD-59416	16"	-27 -30 -35 -40	90	120V/277V	8W	670	577	ELV, TRIAC	50,000 hours	AB, BK, CH	2 1/8"	2 1/8"	16 1/4"	18"	120"

Example: **PD-59416-30-CH**

See complementary pieces on page 6-7

SIRIUS 18", 24", 31" & 48" PENDANT

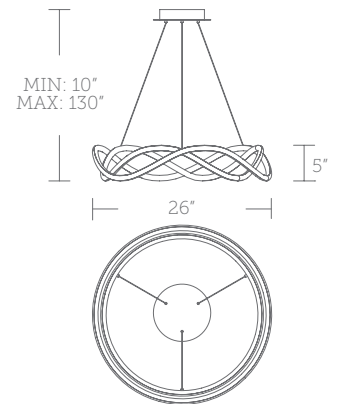


- A simple glowing halo completes a full circle
- Up and downlight with recessed silicone diffuser
- Low profile, adjustable powered aircraft cables for an ultra-clean look
- Spin-on canopy design with minimal hardware
- May be mounted on a sloped ceiling
- Canopy conceals a 120V driver

Model No.	Size	CCT	CRI	Voltage	Wattage	LED Lumens	Delivered Lumens	Dimming	Rated Life	Finish	Dimensions				
											L	W	H	Min	Max
PD-81118	18"				36W	2,493	1,217				18"	18"	1 5/8"	5"	120"
PD-81124	24"	3000K	90	120V	49W	3,480	1,721	ELV, TRIAC	50,000 hours	AB, AL, BK, WT	24"	24"	1 5/8"	5"	120"
PD-81131	31"				69W	4,763	2,057				31"	31"	1 5/8"	5"	120"
PD-81148	48"				100W	5,330	2,594				48"	48"	1 7/8"	20"	180"

Example: **PD-81148-AB**

SWERVE 26" CHANDELIER

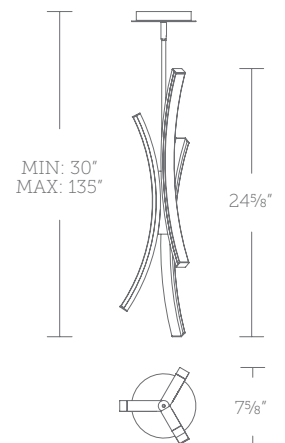


- Fluid circles of black and light twist within each other
- Low profile, adjustable powered aircraft cables for an ultra-clean look
- Spin-on canopy design with minimal hardware
- May be mounted on a sloped ceiling
- Built in color temperature adjustability. Switch from 2700K/3000K/3500K/4000K
- Thin canopy conceals a proprietary universal 120V-277V driver

Model No.	Size	CCT	CRI	Voltage	Wattage	LED Lumens	Delivered Lumens	Dimming	Rated Life	Finish	Dimensions				
											L	W	H	Min	Max
PD-67426	26"	-27	90	120V-277V	20W	2,100	1,260	ELV, TRIAC	50,000 hours	BK	26"	26"	5"	10"	130"
		-30													
		-35													
		-40													

Example: **PD-67426-30-BK**

TUSK 25" MINI PENDANT



- Offset aluminum curves lined with soft LED illumination
- Three 12" and one 6" downrods included (additional downrods available)
- Spin-on round canopy with minimal hardware
- May be mounted on a sloped ceiling
- Built in color temperature adjustability. Switch from 2700K/3000K/3500K/4000K
- Thin canopy conceals a proprietary 120V/277V driver

Model No.	Size	CCT	CRI	Voltage	Wattage	LED Lumens	Delivered Lumens	Dimming	Rated Life	Finish	Dimensions				
											L	W	H	Min	Max
PD-29425	25"	-27	90	120V/277V	15W	1,570	942	ELV, TRIAC	50,000 hours	BK, BN	7 ⁵ / ₈ "	7 ⁵ / ₈ "	24 ⁵ / ₈ "	30"	135"
		-30													
		-35													
		-40													

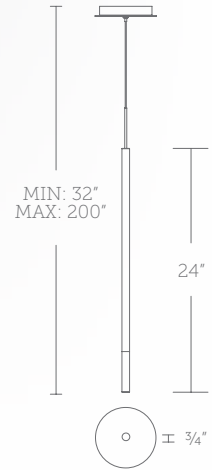
Example: **PD-29425-30-BK**

See complementary pieces on page 30

VIGGO 24" & 32" MINI PENDANT



- An acrylic diffuser forms a wisp of light from a sleek silhouette
- Low profile, adjustable powered aircraft cables for an ultra-clean look
- Spin-on round canopy with minimal hardware
- May be mounted on a sloped ceiling
- Built in color temperature adjustability. Switch from 2700K/3000K/3500K/4000K
- Proprietary universal 120V-277V driver installs within a standard 4" junction box



Model No.	Size	CCT	CRI	Voltage	Wattage	LED Lumens	Delivered Lumens	Dimming	Rated Life	Finish	Dimensions				
											L	W	H	Min	Max
PD-69424	24"	-27	90	120V-277V	8W	655	218	ELV, 0-10V, TRIAC	50,000 hours	BK	3/4"	3/4"	24"	32"	200"
		-30													
		-35													
PD-69432	32"	-40											40"	210"	

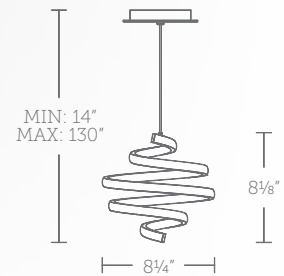
Example: **PD-69424-30-BK**

See complementary pieces on page 8-9

WHIRL 8" MINI PENDANT



- Whirling in space, curves of illumination are backed by a black frame
- Low profile, adjustable powered aircraft cables for an ultra-clean look
- Spin-on round canopy with minimal hardware
- May be mounted on a sloped ceiling
- Built in color temperature adjustability. Switch from 2700K/3000K/3500K/4000K
- Thin canopy conceals a proprietary 120V/277V driver

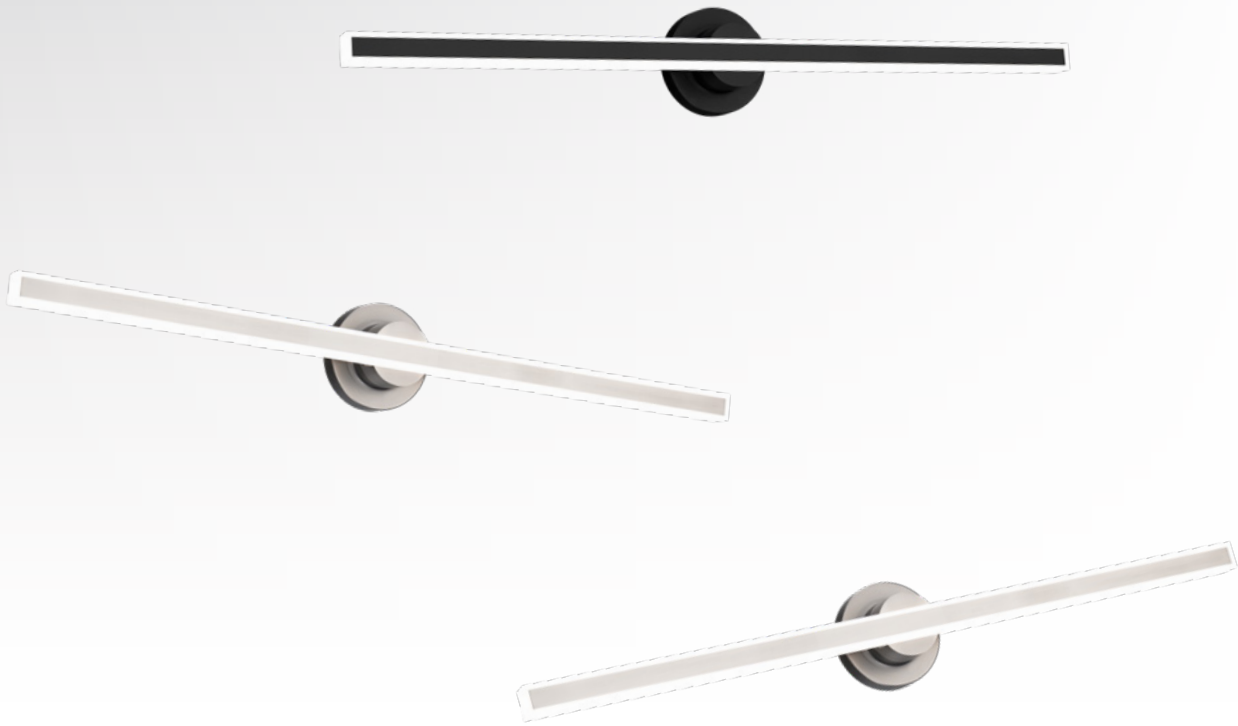


Model No.	Size	CCT	CRI	Voltage	Wattage	LED Lumens	Delivered Lumens	Dimming	Rated Life	Finish	Dimensions				
											L	W	H	Min	Max
PD-19408	8"	-27	90	120V/277V	21W	1,103	1,027	ELV, TRIAC	50,000 hours	BK	8 1/4"	8 1/4"	8 1/8"	14"	130"
		-30													
		-35													
		-40													

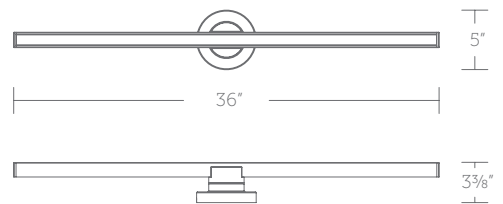
Example: **PD-19408-30-BK**

See complementary pieces on page 11

BASTONE 26" & 36" BATH



- A simple rectangular silhouette radiates from LED illumination
- Light source offers 360 degree rotation
- Built in color temperature adjustability. Switch from 2700K/3000K/3500K/4000K
- 0-10V dimming option available with additional component # LDS065M010AFE-LO1. Component dimensions: 3.4" x 1.2" x 0.5"
- May be mounted on wall in all orientations
- ACLED driverless technology

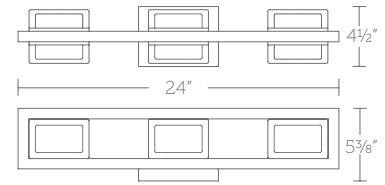


Model No.	Size	CCT	CRI	Voltage	Wattage	LED Lumens	Delivered Lumens	Dimming	Rated Life	Finish	Dimensions		
											L	W	H
WS-99426	26"	-27 -30	90	120V	23W	2,245	924	ELV, TRIAC	50,000 hours	BK, BN	26"	3 3/8"	5"
WS-99436	36"	-35 -40									36"	3 3/8"	5"

Example: **WS-99436-30-BN**

See complementary pieces on page 38

INTERLOK 24" & 36" BATH

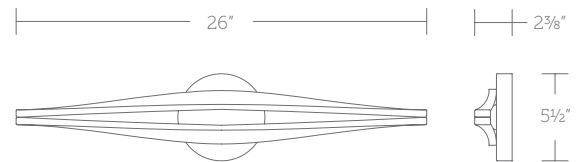


- Thick-walled glass shades surrounded by an elegant brushed nickel frame
- Built in color temperature adjustability. Switch from 2700K/3000K/3500K/4000K
- May be mounted on wall vertically or upside down
- Thin canopy conceals a proprietary 120V/277V driver

Model No.	Size	CCT	CRI	Voltage	Wattage	LED Lumens	Delivered Lumens	Dimming	Rated Life	Finish	Dimensions		
											L	W	H
WS-77424	24"	-27 -30 -35 -40	90	120V/277V	18W	2,542	1,398	ELV, TRIAC	50,000 hours	BN	24"	5 3/8"	4 1/2"
WS-77436	36"	-27 -30 -35 -40			25W	3,438	1,891				36"	5 3/8"	4 1/2"

Example: **WS-77424-30-BN**

JAGGER 26" BATH

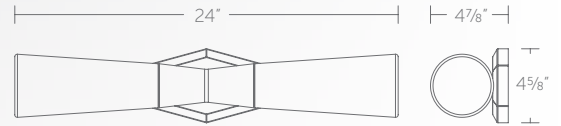
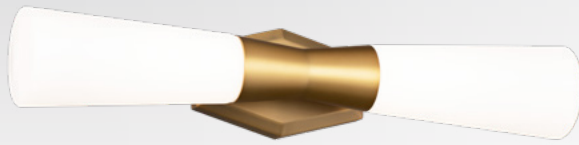


- With an inviting aesthetic, a round backplate is illuminated by curvaceous diffusers
- Built in color temperature adjustability. Switch from 2700K/3000K/3500K/4000K
- May be mounted on wall in all orientations
- Canopy conceals a proprietary universal 120/277V driver

Model No.	Size	CCT	CRI	Voltage	Wattage	LED Lumens	Delivered Lumens	Dimming	Rated Life	Finish	Dimensions		
											L	W	H
WS-71426	26"	-27 -30 -35 -40	90	120/277V	20W	1,758	1,055	ELV, 0-10V, TRIAC	50,000 hours	BK, BN	26"	2 3/8"	5 1/2"

Example: **WS-71426-30-BK**

LOCKE 18" & 24" BATH

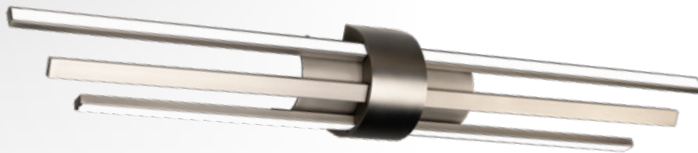


- Unique, faceted diamond-shaped backplate
- Up and downlight with opal glass diffuser
- 0-10V dimming option available with additional component # LDS065M010AFE-LO1. Component dimensions: 3.4" x 1.2" x 0.5"
- May be mounted on wall in all orientations
- ACLED driverless technology

Model No.	Size	CCT	CRI	Voltage	Wattage	LED Lumens	Delivered Lumens	Dimming	Rated Life	Finish	Dimensions		
											L	W	H
WS-30018	18"	3000K	90	120V	21W	1,580	1,270	ELV,	50,000	AB, BN	18"	4 7/8"	4 1/2"
WS-30024	24"				32W	2,937	2,291	TRIAC	hours		24"	4 7/8"	4 5/8"

Example: **WS-30024-AB**

MELODY 22" & 32" BATH

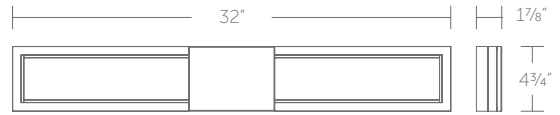


- Beams edged with glowing diffusers deliver a tempo of direct and indirect light
- May be mounted on wall in all orientations
- Canopy conceals a proprietary universal 120V-277V driver

Model No.	Size	CCT	CRI	Voltage	Wattage	LED Lumens	Delivered Lumens	Dimming	Rated Life	Finish	Dimensions		
											L	W	H
WS-15422	22"	3000K	90	120V-277V	11W	605	484	ELV,	50,000	BK, BN	22"	3 1/8"	4 5/8"
WS-15432	32"				14W	775	621	0-10V, TRIAC	hours		32"	3 1/8"	4 5/8"

Example: **WS-15432-BN**

PEEKABOO 22" & 32" BATH

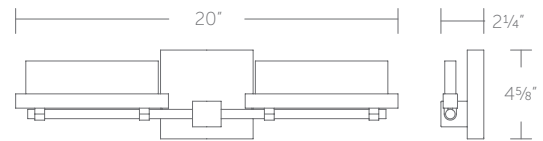


- An illuminated rectangle punctuated by an opaque metallic square
- May be mounted on ceiling or wall in all orientations
- Diffused omnidirectional illumination
- Interchangeable center plate, choose between aged brass or brushed nickel
- Thin canopy conceals a proprietary 120V/277V driver

Model No.	Size	CCT	CRI	Voltage	Wattage	LED Lumens	Delivered Lumens	Dimming	Rated Life	Finish	Dimensions		
											L	W	H
WS-83422	22"	2700K 3000K 3500K 4000K	90	120V/277V	20W	1,006	833	ELV, TRIAC	50,000 hours	BK/AB, BK/BN	22"	1 7/8"	4 3/4"
WS-83432	32"				28W	1,765	1,272				32"	1 7/8"	4 3/4"

Example: **WS-83432-BK/BN**

TWO FOLD 20" & 27" BATH

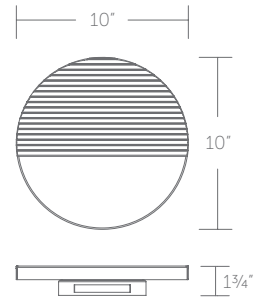
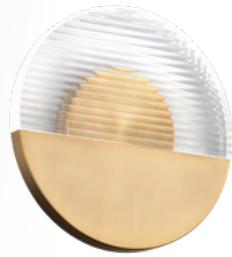


- Black finish with aged brass accentuated by two geometric blocks of etched acrylic
- Canopy conceals a proprietary 120V/277V driver
- May be mounted on wall vertically and upside down

Model No.	Size	CCT	CRI	Voltage	Wattage	LED Lumens	Delivered Lumens	Dimming	Rated Life	Finish	Dimensions		
											L	W	H
WS-91420	20"	3000K	90	120V/277V	17W	1,800	1,017	ELV, TRIAC	50,000 hours	BK/AB	20"	2 1/4"	4 5/8"
WS-91427	27"				19W	2,000	1,162				27"	2 1/4"	4 5/8"

Example: **WS-91420-BK/AB**

CRESCENT 10" INDOOR SCONCE



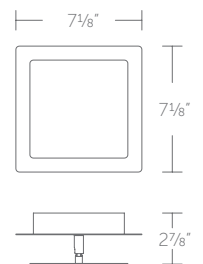
- Light shines through clear, ribbed cast acrylic and down from its solid canopy
- Up and downward illumination
- Built in color temperature adjustability. Switch from 2700K/3000K/3500K/4000K
- 0-10V dimming option available with additional component # LDS065M010AFE-LO1. Component dimensions: 3.4" x 1.2" x 0.5"
- May be mounted on wall in all orientations
- ACLED driverless technology

Model No.	Size	CCT	CRI	Voltage	Wattage	LED Lumens	Delivered Lumens	Dimming	Rated Life	Finish	Dimensions L W H
WS-25410	10"	-27 -30 -35 -40	90	120V	11W	532	416	ELV, TRIAC	50,000 hours	AB	10" 1 3/4" 10"

Example: **WS-25410-30-AB**

See complementary pieces on page 15

REET 7" INDOOR SCONCE



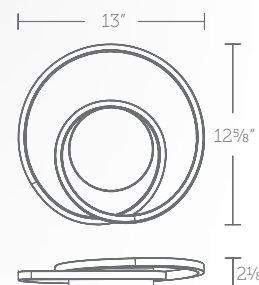
- Two metallic squares form a boxy frame over integrated LEDs
- Light source offers 360 degree rotation
- Built in color temperature adjustability. Switch from 2700K/3000K/3500K/4000K
- May be mounted on wall in all orientations
- Thin canopy conceals a proprietary 120V/277V driver



Model No.	Size	CCT	CRI	Voltage	Wattage	LED Lumens	Delivered Lumens	Dimming	Rated Life	Finish	Dimensions L W H
WS-87407	7"	-27 -30 -35 -40	90	120V/277V	8W	630	488	ELV, TRIAC	50,000 hours	BK, WT	7 1/8" 2 7/8" 7 1/8"

Example: **WS-87407-30-WT**

MARQUES 13" INDOOR SCONCE

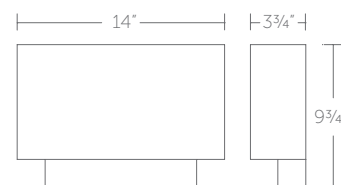


- Modern halos of light in tandem around an inner center
- Thin canopy conceals a proprietary 120V/277V driver
- May be mounted on ceiling or wall in all orientations
- Ambient illumination

Model No.	Size	CCT	CRI	Voltage	Wattage	LED Lumens	Delivered Lumens	Dimming	Rated Life	Finish	Dimensions		
											L	W	H
WS-43413	13"	3000K	90	120V/277V	28W	2,900	1,163	ELV, TRIAC	50,000 hours	BK, CH	13"	2 ³ / ₈ "	12 ⁵ / ₈ "

Example: **WS-43413-CH**

MAVEN 14" INDOOR SCONCE

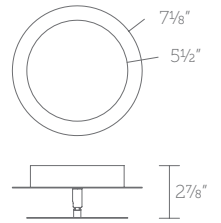


- A sleek silhouette combines aluminum with an acrylic diffuser
- Front and downlight for close wall illumination
- 0-10V dimming option available with additional component # LDS065M010AFE-LO1. Component dimensions: 3.4" x 1.2" x 0.5"
- ACLED driverless technology

Model No.	Size	CCT	CRI	Voltage	Wattage	LED Lumens	Delivered Lumens	Dimming	Rated Life	Finish	Dimensions		
											L	W	H
WS-21014	14"	3000K	90	120V	23W	1,800	992	ELV	60,000 hours	BK, BN	14"	3 ³ / ₄ "	9 ³ / ₄ "

Example: **WS-21014-BK**

MOONGLOW 7" INDOOR SCONCE

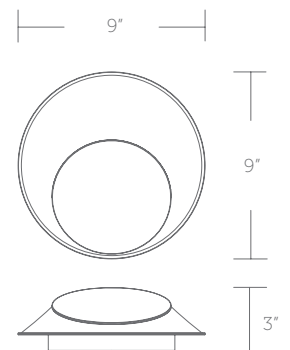


- A circular band anchors a glowing shade
- Light source offers 360 degree rotation
- Built in color temperature adjustability. Switch from 2700K/3000K/3500K/4000K
- May be mounted on wall in all orientations
- Thin canopy conceals a proprietary 120V/277V driver

Model No.	Size	CCT	CRI	Voltage	Wattage	LED Lumens	Delivered Lumens	Dimming	Rated Life	Finish	Dimensions		
											L	W	H
WS-85407	7"	-27	90	120V/277V	8W	619	446	ELV, TRIAC	50,000 hours	BK, WT	7 1/8"	2 7/8"	7 1/8"
		-30											
		-35											
		-40											

Example: **WS-85407-30-BK**

OGLE 9" INDOOR SCONCE

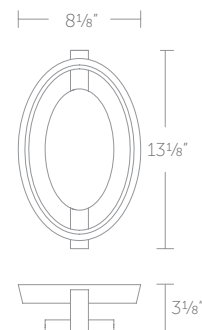


- Planes of metal capture a wedge of diffused LED light
- Omnidirectional illumination
- Built in color temperature adjustability. Switch from 2700K/3000K/3500K/4000K
- 0-10V dimming option available with additional component # LDS065M010AFE-LO1. Component dimensions: 3.4" x 1.2" x 0.5"
- May be mounted on wall in all orientations
- ACLED driverless technology

Model No.	Size	CCT	CRI	Voltage	Wattage	LED Lumens	Delivered Lumens	Dimming	Rated Life	Finish	Dimensions		
											L	W	H
WS-93409	9"	-27	90	120V	22W	2,180	820	ELV, TRIAC	54,000 hours	BK	9"	3"	9"
		-30											
		-35											
		-40											

Example: **WS-93409-30-BK**

SOLITAIRE 13" INDOOR SCONCE

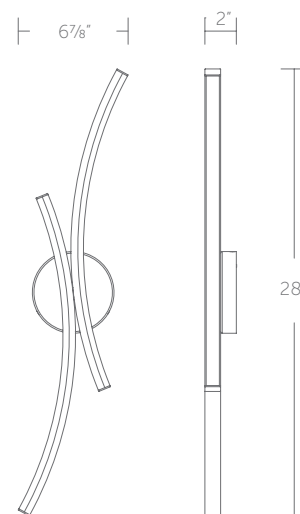


- An oval of illumination frames an opulent inner center
- Omnidirectional illumination
- May be mounted on wall in all orientations
- Thin canopy conceals a proprietary 120V/277V driver

Model No.	Size	CCT	CRI	Voltage	Wattage	LED Lumens	Delivered Lumens	Dimming	Rated Life	Finish	Dimensions		
											L	W	H
WS-21413	13"	3000K	90	120V/277V	14W	1,159	546	ELV, TRIAC	50,000 hours	AB, BK	8 ¹ / ₈ "	3 ¹ / ₈ "	13 ¹ / ₈ "

Example: **WS-21413-AB**

TUSK 28" INDOOR SCONCE



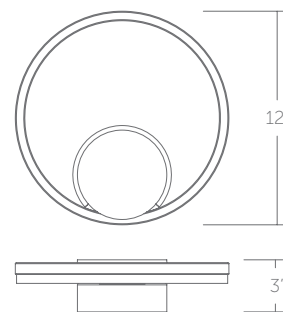
- Offset aluminum curves are lined with soft LED illumination
- Built in color temperature adjustability. Switch from 2700K/3000K/3500K/4000K
- May be mounted on wall in all orientations
- Thin canopy conceals a proprietary 120V/277V driver

Model No.	Size	CCT	CRI	Voltage	Wattage	LED Lumens	Delivered Lumens	Dimming	Rated Life	Finish	Dimensions		
											L	W	H
WS-29428	28"	-27 -30 -35 -40	90	120V/277V	15W	1,570	942	ELV, TRIAC	50,000 hours	BK, BN	6 ⁷ / ₈ "	2"	28"

Example: **WS-29428-30-BN**

See complementary pieces on page 21

VESPERE 12" INDOOR SCONCE

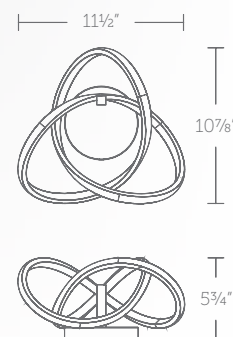


- Opaque black circles radiate a corona of light
- Edge and back lit illumination
- Built in color temperature adjustability. Switch from 2700K/3000K/3500K/4000K
- May be mounted on wall in all orientations
- Thin canopy conceals a proprietary 120V/277V driver

Model No.	Size	CCT	CRI	Voltage	Wattage	LED Lumens	Delivered Lumens	Dimming	Rated Life	Finish	Dimensions		
											L	W	H
WS-63412	12"	-27	90	120V/277V	12W	1,260	756	ELV, TRIAC	50,000 hours	BK	12"	3"	12"
		-30											
		-35											
		-40											

Example: **WS-63412-30-BK**

VORNADO 11" INDOOR SCONCE



- A masterpiece crafted from a single piece looping in and around itself. Variation expected.
- May be mounted on wall or ceiling in all orientations
- Thin canopy conceals a proprietary 120V/277V driver

Model No.	Size	CCT	CRI	Voltage	Wattage	LED Lumens	Delivered Lumens	Dimming	Rated Life	Finish	Dimensions		
											L	W	H
WS-84911	11"	3000K	90	120V/277V	28W	2,900	1,489	ELV, TRIAC	50,000 hours	BK, CH	11 1/2"	5 3/4"	10 7/8"

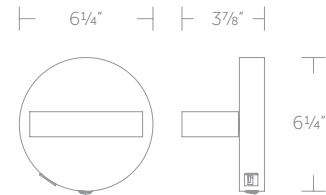
Example: **WS-84911-BK**

See complementary pieces on page 10

WINK 6" BEDSIDE LAMP



- A curved frame embraces a white opal diffuser
- On/off toggle switch on the bottom of the canopy
- USB-C port on the bottom of the canopy for charging
- Bidirectional light source with 360-degree rotation
- Thin canopy conceals a proprietary 120V driver



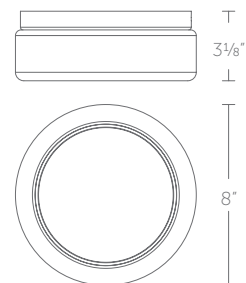
USB-C port

On/off toggle switch

Model No.	Size	CCT	CRI	Voltage	Wattage	LED Lumens	Delivered Lumens	Dimming	Rated Life	Finish	Dimensions		
											L	W	H
BL-47406	6"	3000K	90	120V	13W	461	392	ELV, TRIAC	50,000 hours	BK, WT	6 1/4"	3 7/8"	6 1/4"

Example: **BL-47406-BK**

BONHAM 8" CEILING MOUNT

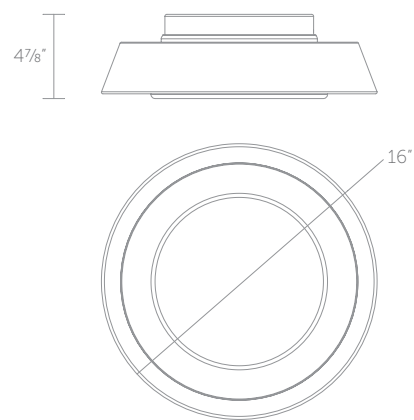


- A thick-walled, etched shade delivers diffused light from its simple frame
- Omnidirectional illumination
- Built in color temperature adjustability. Switch from 2700K/3000K/3500K/4000K
- 0-10V dimming option available with additional component # LDS065M010AFE-LO1. Component dimensions: 3.4" x 1.2" x 0.5"
- May be mounted on ceiling and wall in all orientations
- ACLED driverless technology

Model No.	Size	CCT	CRI	Voltage	Wattage	LED Lumens	Delivered Lumens	Dimming	Rated Life	Finish	Dimensions		
											L	W	H
FM-95408	8"	-27	90	120V	18W	1,400	809	ELV, TRIAC	54,000 hours	BN	8"	8"	3 1/8"
		-30											
		-35											
		-40											

Example: **FM-95408-30-BN**

CHAPEAU 16" CEILING MOUNT

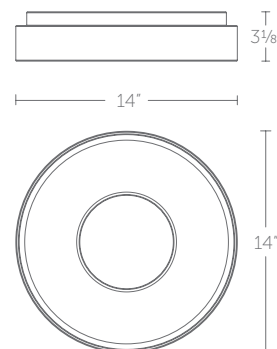


- A fabric shade elegantly caps a white, etched opal glass diffuser
- Built in color temperature adjustability. Switch from 2700K/3000K/3500K/4000K
- 0-10V dimming option available with additional component # LDS065M010AFE-LO1. Component dimensions: 3.4" x 1.2" x 0.5"
- ACLED driverless technology

Model No.	Size	CCT	CRI	Voltage	Wattage	LED Lumens	Delivered Lumens	Dimming	Rated Life	Finish	Dimensions		
											L	W	H
FM-49416	16"	-27	90	120V	24W	2,580	1,170	ELV, TRIAC	50,000 hours	BK, WT	16"	16"	4 7/8"
		-30											
		-35											
		-40											

Example: **FM-49416-30-BK**

CRACKLE 14" CEILING MOUNT

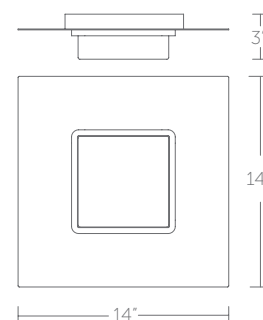


- A gleaming shade is lined with faux alabaster. Like real stone, each piece is unique
- 0-10V dimming option available with additional component # LDS065M010AFE-LO1. Component dimensions: 3.4" x 1.2" x 0.5"
- May be mounted on ceiling or wall in all orientations
- ACLED driverless technology

Model No.	Size	CCT	CRI	Voltage	Wattage	LED Lumens	Delivered Lumens	Dimming	Rated Life	Finish	Dimensions		
											L	W	H
FM-97414	14"	3000K	90	120V	26W	2,200	1,057	ELV, TRIAC	50,000 hours	AB, BK	14"	14"	3 1/8"

Example: **FM-97414-AB**

DOUBLE DECKER 14" CEILING MOUNT

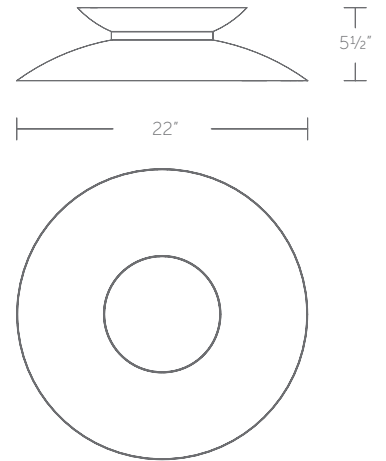


- Aged brass crowns a smaller black profile and etched opal glass diffuser
- Built in color temperature adjustability. Switch from 2700K/3000K/3500K/4000K
- 0-10V dimming option available with additional component # LDS065M010AFE-LO1. Component dimensions: 3.4" x 1.2" x 0.5"
- May be mounted on ceiling or wall in all orientations
- ACLED driverless technology

Model No.	Size	CCT	CRI	Voltage	Wattage	LED Lumens	Delivered Lumens	Dimming	Rated Life	Finish	Dimensions		
											L	W	H
FM-31414	14"	-27 -30 -35 -40	90	120V	22W	1,800	963	ELV, TRIAC	50,000 hours	BK/AB	14"	14"	3"

Example: **FM-31414-30-BK/AB**

MISO 22" CEILING MOUNT

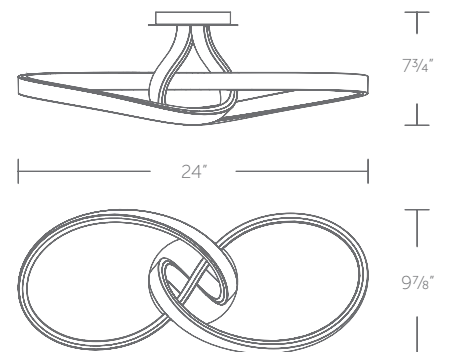


- A crisp black shade curves around a white diffuser
- Built in color temperature adjustability. Switch from 2700K/3000K/3500K/4000K
- May be mounted on ceiling or wall in all orientations
- Thin canopy conceals a proprietary 120V/277V driver

Model No.	Size	CCT	CRI	Voltage	Wattage	LED Lumens	Delivered Lumens	Dimming	Rated Life	Finish	Dimensions		
		L W H											
FM-11422	22"	-27	90	120V/277V	27W	2,600	1,518	ELV, TRIAC	50,000 hours	BK	22"	22"	5½"
		-30											
		-35											
		-40											

Example: **FM-11422-30-BK**

MOBIUS 24" CEILING MOUNT



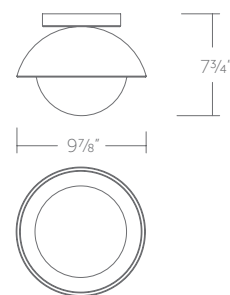
- A flexible, looping composite LED diffuser creates design harmony. Variation expected
- May be mounted on ceiling or wall in all orientations
- Thin canopy conceals a proprietary 120V/277V driver

Model No.	Size	CCT	CRI	Voltage	Wattage	LED Lumens	Delivered Lumens	Dimming	Rated Life	Finish	Dimensions		
											L W H		
FM-35424	24"	3000K	90	120V/277V	28W	3,400	1,979	ELV, TRIAC	50,000 hours	BK, CH	24"	9⅞"	7¾"

Example: **FM-35424-BK**

See complementary pieces on page 18

MOONSTONE 10" CEILING MOUNT

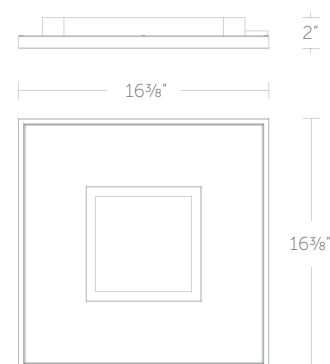


- Opal glass glows through creamy faux alabaster. Like real stone, each piece is unique
- May be mounted on ceiling or wall in all orientations
- Thin canopy conceals a proprietary 120V/277V driver

Model No.	Size	CCT	CRI	Voltage	Wattage	LED Lumens	Delivered Lumens	Dimming	Rated Life	Finish	Dimensions		
											L	W	H
FM-43310	10"	3000K	90	120V/277V	11W	863	703	ELV, 0-10V, TRIAC	55,000 hours	BK	9 7/8"	9 7/8"	7 3/4"

Example: **FM-43310-BK**

PINPOINT 16" CEILING MOUNT

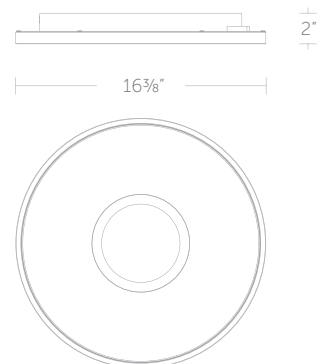


- A geometric design crafted from black metal showcasing silver leaf detailing
- Built in color temperature adjustability. Switch from 2700K/3000K/3500K/4000K
- May be mounted on ceiling or wall in all orientations
- Thin canopy conceals a proprietary universal 120V-277V driver

Model No.	Size	CCT	CRI	Voltage	Wattage	LED Lumens	Delivered Lumens	Dimming	Rated Life	Finish	Dimensions		
											L	W	H
FM-37415	16"	-27 -30 -35 -40	90	120V-277V	38W	1,799	1,135	ELV, TRIAC	50,000 hours	BK	16 3/8"	16 3/8"	2"

Example: **FM-37415-30-BK**

PINPOINT 16" CEILING MOUNT

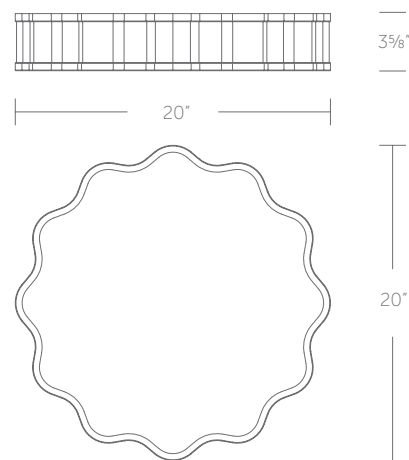


- A geometric design crafted from black metal showcasing silver leaf detailing
- Built in color temperature adjustability. Switch from 2700K/3000K/3500K/4000K
- May be mounted on ceiling or wall in all orientations
- Thin canopy conceals a proprietary universal 120V-277V driver

Model No.	Size	CCT	CRI	Voltage	Wattage	LED Lumens	Delivered Lumens	Dimming	Rated Life	Finish	Dimensions		
											L	W	H
FM-37416	16"	-27	90	120V-277V	38W	1,823	1,095	ELV, TRIAC	50,000 hours	BK	16 3/8"	16 3/8"	2"
		-30											
		-35											
		-40											

Example: **FM-37416-30-BK**

VAUGHAN 16" & 20" CEILING MOUNT

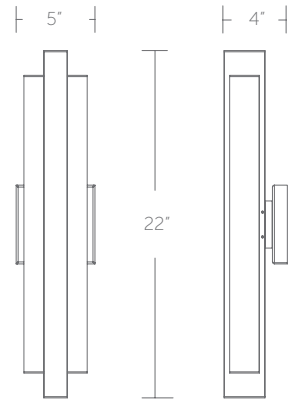


- A ruffled metallic shade and simple diffuser are classic complements
- May be mounted on ceiling or wall in all orientations
- Canopy conceals a proprietary driver

Model No.	Size	CCT	CRI	Voltage	Wattage	LED Lumens	Delivered Lumens	Dimming	Rated Life	Finish	Dimensions		
											L	W	H
FM-67116	16"	3000K	90	120V/277V	30W	2,674	1,904	ELV, 0-10V, TRIAC	50,000 hours	AB, BN	16"	16"	3"
FM-67120	20"			120V-277V	41W	3,600	2,891				20"	20"	3 5/8"

Example: **FM-67120-AB**

ARROW 22" OUTDOOR SCONCE

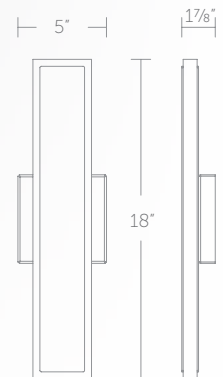


- Two black, substantial metal rectangles intersect in a simple design
- Downward and backlit illumination
- Built in color temperature adjustability. Switch from 2700K/3000K/3500K/4000K
- May be mounted on wall in all orientations
- Thin canopy conceals a proprietary 120V/277V driver

Model No.	Size	CCT	CRI	Voltage	Wattage	LED Lumens	Delivered Lumens	Dimming	Rated Life	Finish	Dimensions		
											L	W	H
WS-W57422	22"	-27	90	120V/277V	28W	1,147	777	ELV, TRIAC	50,000 hours	BK	5"	4"	22"
		-30											
		-35											
		-40											

Example: **WS-W57422-30-BK**

BASTONE 18" OUTDOOR SCONCE



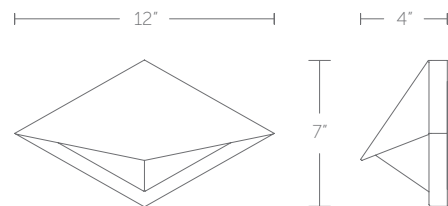
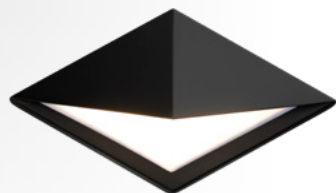
- A sleek, black, metallic rectangle radiates from edge-lit LEDs
- Built in color temperature adjustability. Switch from 2700K/3000K/3500K/4000K
- May be mounted on wall in all orientations
- Thin canopy conceals a proprietary 120V/277V driver

Model No.	Size	CCT	CRI	Voltage	Wattage	LED Lumens	Delivered Lumens	Dimming	Rated Life	Finish	Dimensions		
											L	W	H
WS-W99418	18"	-27	90	120V/277V	30W	1,287	1,066	ELV, TRIAC	50,000 hours	BK	5"	1 7/8"	18"
		-30											
		-35											
		-40											

Example: **WS-W99418-30-BK**

See complementary pieces on page 23.

PIQUE 12" OUTDOOR SCONCE

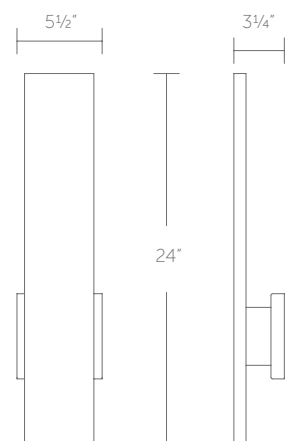


- A triangular acrylic diffuser sits within a black, angular frame
- Down lit LED illumination
- Built in color temperature adjustability. Switch from 2700K/3000K/3500K/4000K
- Thin canopy conceals a proprietary 120V/277V driver

Model No.	Size	CCT	CRI	Voltage	Wattage	LED Lumens	Delivered Lumens	Dimming	Rated Life	Finish	Dimensions L W H
WS-W65412	12"	-27	90	120V/277V	12W	1,260	756	ELV, TRIAC	50,000 hours	BK	12" 4" 7"
		-30									
		-35									
		-40									

Example: **WS-W65412-30-BK**

STAG 18" & 24" OUTDOOR SCONCE



- A majestic silhouette composed of aluminum and frosted glass
- Back lit with indirect illumination
- 0-10V dimming option available with additional component # LDS065M010AFE-LO1. Component dimensions: 3.4" x 1.2" x 0.5"
- Built in color temperature adjustability. Switch from 3000K/3500K/4000K
- May be mounted on wall in all orientations
- ACLED driverless technology

Model No.	Size	CCT	CRI	Voltage	Wattage	LED Lumens	Delivered Lumens	Dimming	Rated Life	Finish	Dimensions L W H
WS-W29118	18"	-30	90	120V	16W	1,265	789	ELV, TRIAC	54,000 hours	AL, BK	4½" 2½" 18"
		-35									
WS-W29124	24"	-40			24W	1,650	1,100				5½" 3¼" 24"

Example: **WS-W29124-30-BK**

Headquarters

Tel: 800.526.2588
Fax: 800.526.2585

44 Harbor Park Dr
Port Washington, NY 11050

South East

1600 Distribution Ct
Lithia Springs, GA 30122

Central

1700 South J Elmer Freeway
Suite 100
Cedar Hill, TX 75104

West

1750 S Archibald Ave
Ontario, CA 91761

Consult our manufacturing facility to take advantage of our custom capabilities
in large quantities. For up to date product specifications and assistance
please visit waclighting.com or call **1-800-526-2588**

WAC technology and designs are protected by several patents and patent applications. WAC will not hesitate to enforce its intellectual property rights through injunctive relief and seek further relief through damages if it has reason to believe its patents are being infringed.

Copyright © 2024 WAC. All rights reserved. This catalog is copyrighted and WAC will use all measures available to it under the law against anyone who copies or derives from its copyrighted work.

WAC retains the right to modify the design of its products at any time as part of the company's continuous improvement program. Please refer to our website for the latest product specifications.

dweLED

