



Door sealing systems



Index



For a detailed index, please click on the category:

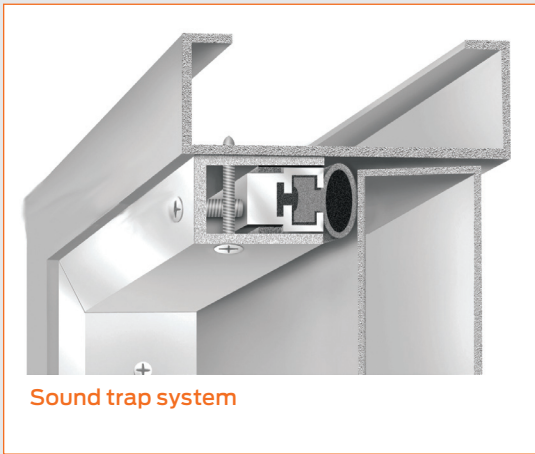
Thresholds.....	7
Automatic door bottoms.....	41
Perimeter seals	55
Weatherstripping.....	89
Solutions and specialty products.....	103
Part number index.....	127

Door sealing systems Introduction

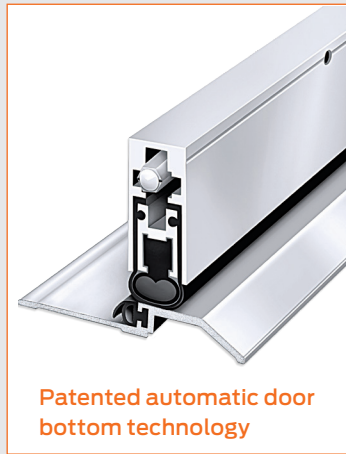
The standard for quality in door sealing hardware

Allegion's Zero International brand is recognized as the standard for quality in door sealing hardware. Our perimeter seals and thresholds are engineered for durability and reliable performance even under the most challenging installation and operating conditions. Our sealing products also support green building applications by promoting heating and cooling efficiency.

The comprehensive Zero product line includes advanced sound-control gasketing and a full array of other specialized sealing systems for doors and windows, as well as intumescent fire and smoke protection systems. We also offer a line of flood barrier shields with proven value for protecting door openings and building contents in flood-prone areas



Sound trap system



Patented automatic door bottom technology



Gap solutions-restore lost fire rating

Zero quick ship offering

Zero offers over 40 of our most popular sealing solutions that typically ship in five business days or less through our standard order process.

Visit us.allegion.com/zeroquickship to view the full offering and learn more.

Information and customer care



us.allegion.com



US 877-671-7011
Canada 800-900-4734



support@allegion.com
Accessories_TechProdSupport@allegion.com



www.youtube.com/lvesSecurity

Ordering



allegion_orders@allegion.com



eFax: 1-877-424-8494

Door sealing systems

Base materials

**Aluminum**

Aluminum products are extruded from the 6063 alloy with hardness of T5 or T6. A variety of finishes are available. See specific model numbers for available finishes. Note that some finishes, such as aluminum mill, wear better in high traffic applications than others. Anodized options are offered, they will show wear after in abrasive applications and do not carry a warranty on finish.

Bronze

Bronze products are extruded from brass alloy 380, technically known as “architectural bronze”. It contains 57.5% copper, 41% zinc, 1.3% lead, and 0.2% aluminum. When furnished in mill finish, a light golden color, it oxidizes over time to a rich darkened bronze.

Spring Bronze

Rolled bronze, used only for cushion and spring material, is technically known as commercial bronze. The alloy is 85-90% copper and 10-15% zinc. Commonly used material in weatherstripping applications.

Zinc

Rolled zinc is alloy 191, and is highly resistant to corrosion. When exposed to the elements, a zinc carbonate film is formed providing long-term protection. Commonly used material in weatherstripping applications.

Neoprene

The neoprene used in Zero gasketing is a multipurpose synthetic rubber with a balanced combination of properties. Zero products use two types of neoprene: closed-cell sponge and solid. All neoprene is black in color, and by virtue of its chlorine content, is flame-resistant and self-extinguishing.

Silicone

Silicone-rubber has many variations and can be compounded to meet any number of applications with tensile strength up to 1500 PSI. Other properties include: low compression set, good resilience, moderate solvent resistance, excellent heat resistance, good release characteristics, and good performance at extreme low temperatures. Generally not recommended for exposure to concentrated solvents and acids, or dilute sodium hydroxide.

EPDM rubber

EPDM rubber is excellent for outdoor use. It is well known for its superior ozone, weathering, and aging resistance. It also has excellent water and steam resistance, maintains its flexibility at low temperatures, features excellent resistance to alkalis, acids, and oxygenated solvents, and is very color stable. EPDM is generally not recommended for use in environments where exposure to oil, gasoline, and hydrocarbon solvents is common.

Polypropylene brush (pile)

Inert polypropylene polymer resists deterioration under harsh environmental conditions. It consists of a “brush” of polypropylene fiber held by a carrier of the same material. They are welded together to resist corrosion, unlike the metal carrier of a traditional brush. The polypropylene fin running down the center of the fibers is unique. The fin is every bit as flexible as the fibers themselves but, more importantly it makes the material twice as effective as a “traditional brush” in air infiltration tests.



Product symbols and classification standards



FIRE RATED-UL10C

UL Classified to ANSI/UL 10C, Positive Pressure Fire Tests of Door Assemblies, for application to hollow metal type fire doors rated up to 3 hours, fiberglass or wood composite type fire doors rated up to 1-1/2 hours, and wood type fire doors rated up to 20 minutes.



FIRE RATED-UL10B

UL Classified to ANSI/UL 10B, Fire Tests of Door Assemblies, for application to hollow metal type fire doors rated up to 3 hours, fiberglass or wood composite type fire doors rated up to 1-1/2 hours, and wood type fire doors rated up to 20 minutes.



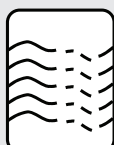
FIRE RATED-CAN

UL Classified to CAN/ULC-S104 Standard Method for Fire Tests of Door Assemblies for application to hollow metal type fire doors rated up to 3 hours, fiberglass or wood composite type fire doors rated up to 1-1/2 hours, and wood type fire doors rated up to 20 minutes.



SMOKE AND DRAFT CONTROL

UL Classified to ANSI/UL 10C and ANSI/UL 1784 as Category H Smoke and Draft Control Gasketing. Complies with IBC and NFPA 105 for use on "S" labeled positive pressure fire doors. Check UL File # R18465 for complete details of fire door requirements and ratings for models marked with this symbol.



AIR INFILTRATION

Tested in accordance with ASTM E-283 Standard Test for Determining Rate of Air Leakage Through Exterior Windows, Curtain Walls and Doors.



SOUND

Acoustical rating achieved by OEM testing using specific door assembly configurations.



ADA ACCESSIBLE

For use with ADA compliant doors meeting requirements of ICC/ANSI A117.1-2017 Standard for Accessible and Usable Buildings and Facilities, and IBC 2018.



INTERTEK TESTING - WARNOCK HERSEY



UL - UNDERWRITERS LABORATORIES





Thresholds

Door sealing systems



Thresholds

Index

Accessories and options

Finishes/Options	10
Fasteners.....	11
Replacement rubber seals.....	12
23 Interlocking hook.....	12
25 Interlocking angle	12

Saddle thresholds

63	14
64	14
544.....	14
545.....	14
545B.....	14
546.....	14
547	15
548.....	15
653.....	15
654.....	15
664	15
164.....	16
655.....	16
8655.....	16
656.....	16
6570	17
647	17
657.....	17
6575.....	17

Half-saddle thresholds

1545	18
15.....	18
1545B.....	18
304.....	18
1673.....	18
1674.....	18
1675.....	18
627.....	19
628.....	19
523	19
524.....	19
622.....	19
623.....	19

Offset thresholds

102.....	20
104.....	20
103.....	20

Rabbeted thresholds

564.....	21
566.....	21
567	21
568.....	21
267.....	22
663.....	22
265.....	22
65	22
560.....	22
561.....	23
563.....	23
565.....	23

Thermal break thresholds

624.....	24
625.....	24
8724.....	24
626.....	24
8726.....	24
525.....	25
526.....	25
8729.....	25

Carpet divider thresholds

522.....	26
643.....	26
1682	26
1682B.....	26
1684	26
1685R.....	26
1686R.....	26

Adjustable thresholds

672	27
673	27
674	27
675	27
676	27
678	28
6710	28
105.....	28
106.....	28
107.....	28
269.....	28
469.....	28
Series 671	29
84R-PSA	29
268.....	29
68.....	29
168.....	29
69.....	29
48.....	29
49.....	29

Traction tread adjustable thresholds

3672.....	30
3673.....	30
3674.....	31
3675.....	31
3676.....	31
2676.....	31
2673.....	31

Ramps

233	32
235.....	32
236.....	32
2361.....	32
232.....	32
237.....	33
234.....	33
238.....	33
233.....	33
236.....	33
259R.....	33

Interlocking thresholds

70.....	34
76.....	34
73.....	34
80.....	34
175.....	34

Adjustable interlocking bronze threshold systems

7000.....	35
7332.....	35
7334.....	35
7335.....	36
7336.....	36
7337.....	36
7338.....	37
7338/7334.....	37
7338/7335.....	37

Specialized threshold solutions

Adjustable thresholds – bulkhead systems	38
Roof curb thresholds.....	38
8452 Wheelchair accessible shower threshold.....	38
Diamond-plate bulkhead thresholds	39
Aluminum cover plates.....	39
600CP.....	39
601CP.....	39
Cover plate assemblies for floor-mounted automatic door closers	40
657	40
6575.....	40

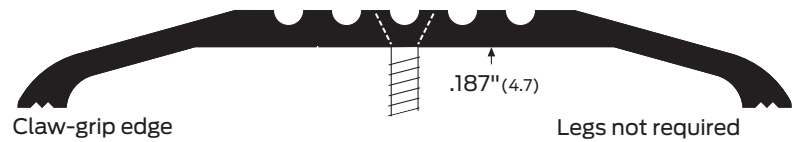
Thresholds Introduction

High quality thresholds with broad application coverage

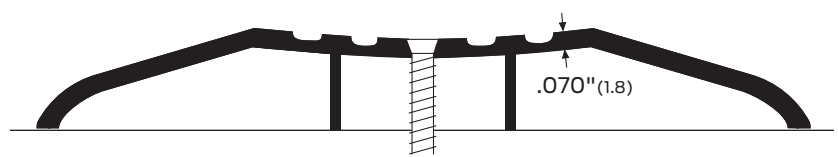
ZERO thresholds feature top-quality materials and construction, designed to stand up to the demands of heavy traffic applications as well as those with extreme temperature differentials.

The heavy-gauge material allows you to drill and screw our thresholds directly into concrete without the difficulties common when using lighter commercial materials, such as buckling under heavy loads or loose screws.

654 Threshold



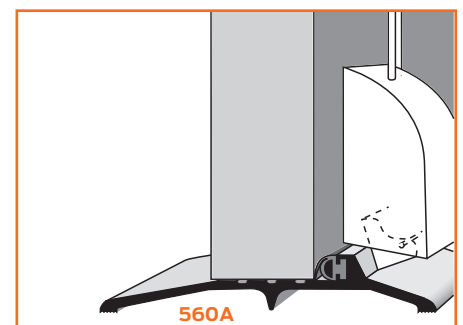
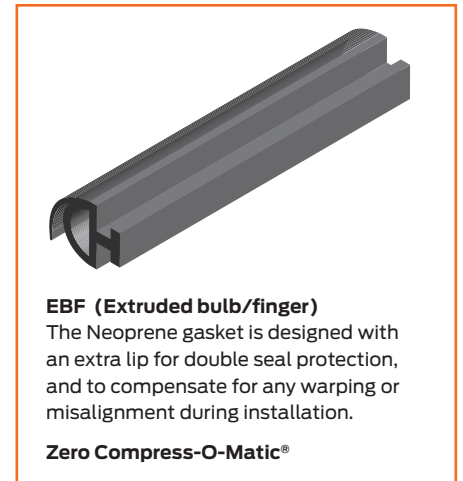
Typical light-gauge threshold



A variety of types of thresholds are available to accommodate the specific needs of your application. With unique options such as:

- **Energy-efficient thermal-break thresholds** – Specially designed to prevent the transfer of outside temperature and frost to the interior side of the door
- **Adjustable-width systems** – Features threshold rests that interlock with various size plates. Much easier to trim and fit than conventional, single-size cast-bronze thresholds. Install without exposed screws on the base for better aesthetics and durability.
- **Extruded bulb finger (EBF) double sealing system** – Designed to ensure an airtight seal even when doors are misaligned because of poor installation or slightly warped. If the door fails to make contact with the bulb in this neoprene gasket, the extra “finger” acts as a supplemental seal to block air flow.

Commercial and institutional facilities can benefit from using them for both interior and perimeter applications. Fire rated doors, ADA openings and sound rated assemblies are just some of the applications that rely on specialized Zero threshold solutions. Since thresholds serve many important purposes, from increasing energy efficiency of a building by restricting airflow to creating a barrier for smoke, sound and light, it is crucial to standardize on high quality materials with a robust design that are backed by the Zero brand you can trust.

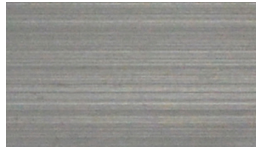


Door sealing systems

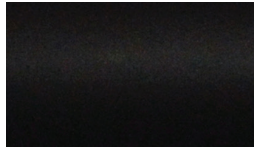
ADA Thresholds



Finishes



A
Aluminum Mill Finish



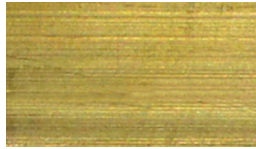
BK*
Black Anodized
(711, US315AN)



D*
Aluminum Dark Bronze
Anodized (710, US313AN)



G*
Aluminum Gold Anodized
(688, US10AN)



B
Bronze, Architectural
Mill Finish



B-ORB
Oil-Rubbed Bronze
(613/ US10B)



B-SAT
Satin Polished Bronze

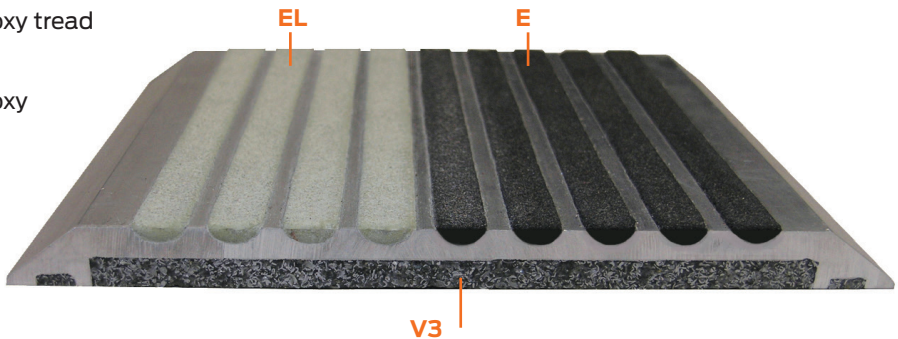


B-POL
High Buff Polished Bronze

*Black, dark bronze and gold anodized aluminum finishes will show wear over time and are not included in the standard warranty. Black, dark bronze and gold anodized aluminum finished products may require a longer lead time, please contact customer service for accurate lead times.

Options

- E** Epoxy abrasive tread
- EL** Photoluminescent and abrasive epoxy tread
- V3** Full body strength
- ELV3** Photoluminescent and abrasive epoxy tread, full body strength fill
- EV3** Epoxy and full body strength
- NH** No holes
- WH** Weep hole
(available on 76, 175 models only)
- BV** Beveled edges
(length only - 600 and 601)

**Non-slip epoxy abrasive (E or EL)**

Thresholds can be ordered with non-slip epoxy abrasive particles bonded into the grooves, with (EL) or without (E) photoluminescence for exit path markings. The tread provides a coefficient of friction of 1.02 dry and 0.98 wet to comply with ADA, OSHA and most local building code requirements.

Full body strength (V3)

An aluminum composite filler containing aluminum oxide and silicon carbide. Available as option for most profiles, with no requirement for customized extrusions. Ideal applications include: heavy commercial traffic in supply rooms, manufacturing plants, schools, cafeterias, automobile dealers, hospitals, industrial facilities. This option is not fire rated.

No holes (NH)

Models supplied standard without mounting holes are noted on the product pages. All other models are supplied standard with mounting holes. Specify NH to order models without mounting holes drilled.

Finishes:

A	Aluminum mill finish
BK	Aluminum black anodized
D	Aluminum dark bronze anodized
G	Aluminum gold anodized
B	Bronze, architectural mill finish
B-ORB	Oil-rubbed bronze

Options:

E	Epoxy abrasive tread
EL	Photoluminescent and abrasive epoxy tread
V3	Full body strength
EV3	Epoxy and full body strength
ELV3	Photoluminescent and abrasive epoxy tread, full body strength fill

Note:

Special anchors available for mounting most thresholds on concrete surfaces.



Fasteners

Thresholds are supplied with the appropriate screws and quantities needed for installation based on threshold width, unless noted to order separately. Use the part numbers below for ordering additional screws, or ordering separately where indicated.

All-purpose screws

Part #	Description	Applicable threshold models	Package contents
47254099	Threshold screw pack — Clear Anodized	All "A" finish thresholds	4 screws #10 X 1-1/2" FPHSMS*
47254100	Threshold screw pack — Dark Bronze	All "D" finish thresholds	4 screws #10 X 1-1/2" FPHSMS* Black ZP
47254101	Threshold screw pack — Bronze	All "B" and "G" finish thresholds	4 screws #10 X 1-3/4" FPHWS* Brass
47254102	Threshold screw pack — Stainless Steel	All "STST" finish thresholds	4 screws #10 X 1-1/4" FPHSMS* SS
47254101-10B	Threshold screw pack — Oil Rubbed Bronze	All "ORB" finish thresholds	4 screws #10 X 1-3/4" FPHWS* Brass, Oil Rubbed

Anchors for concrete installations

Part #	Description/Model number	Applicable threshold models	Package contents
47257389	221-Plastic shield screw pack Silver metallic finish	Screw pack for 221	4 plastic shields and 4 #10 X 1-1/2" FPHSMS*
47257390	222-Lead shield screw pack Silver metallic finish	Screw pack for 222	4 lead shields and 4 #10 X 1-1/4" FPHSMS*
47257391	223-10-24 Concrete anchor screw pack Silver metallic finish	Screw pack for 223	4 10-24 anchors with 4 #10-24 X 1-1/2" FPHMS*
47257392	224-1/4-20 Concrete anchor screw pack Silver metallic finish	Screw pack for 224	4 10-24 anchors with 4 1/4-20 X 1-1/2" FPHMS*
47257393	226-S.S. Sleeve anchor 1/4X3" Silver metallic finish	Screw pack for 226	4 sleeve anchors



221
Plastic anchor



222
Lead shield



223
MSLA-10
Anchor with machine screw 10/24



224
MSLA-4
Anchor with machine screw 1/4-20



226
Stainless steel sleeve anchor
Optional for all thresholds

- An expansion anchor with a unique flat head machine screw all in one unit.
- Easy installation. Place threshold in position and drill 1/4" dia. x 3 1/2" deep hole through countersunk hole in threshold. Drop the anchor in place and tighten with screwdriver.

Finishes:

- A** Aluminum mill finish
- BK** Aluminum black anodized
- D** Aluminum dark bronze anodized
- G** Aluminum gold anodized
- B** Bronze, architectural mill finish
- B-ORB** Oil-rubbed bronze

Options:

- E** Epoxy abrasive tread
- EL** Photoluminescent and abrasive epoxy tread
- V3** Full body strength
- EV3** Epoxy and full body strength
- ELV3** Photoluminescent and abrasive epoxy tread, full body strength fill

Note:

Special anchors available for mounting most thresholds on concrete surfaces.
* FPHSMS — Flathead Philips Sheet Metal Screw

Thresholds

Accessories and options

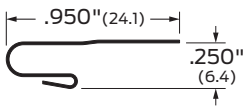
Replacement rubber seals

Replacement seals are available for threshold models containing rubber components. See Appendix for replacement rubber seals. If viewing an interim catalog, contact technical support.

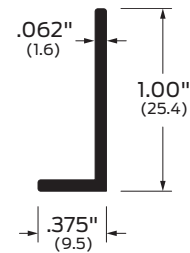
Protection from water infiltration and leakage

These accessories can be used with any interlocking threshold to impede water infiltration around thresholds.

23 Interlocking hook

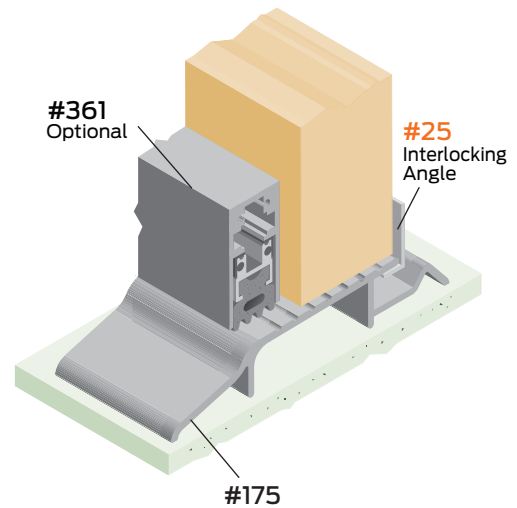
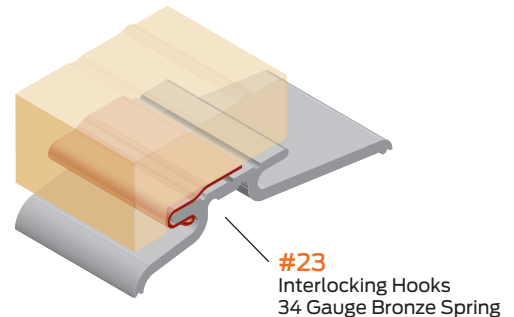


25 Interlocking angle



Finishes:
A, BK, D, G

To order this accessory, please refer to How-to-Order instructions in the Perimeter Seals section. If you are using an interim Thresholds catalog that does not include perimeter seals, please call Allegion Customer Care for ordering assistance at: 877-671-7011, option 2 for technical services. Note: Interlocking hook and angle can be used with 70, 76, 73, 80, 175



Thresholds order guide

How to order:

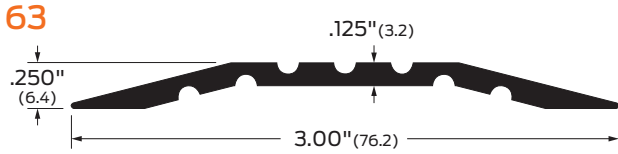
	Model 63	Finish A	Options EV3	Fasteners 221	Length 36
Model					
Example					
63 3" Saddle Threshold					
546 6" Saddle Threshold					
236 Ramp					
674 Adjustable Threshold					
1674 Half-Saddle Threshold					
Finish					
A - Aluminum Mill Finish					
D - Aluminum Dark Bronze Anodized					
G - Aluminum Gold Anodized					
BK - Black Anodized					
B - Bronze, Architectural Mill Finish					
B-ORB - (US10B/613) Oil Rubbed, Aged Bronze					
NOTE: No E, V3, EV3, EL, ELV3 if ORB is requested.					
B-SAT - Satin Polished Bronze					
B-POL - High Buff Polished Bronze					
Options					
Blank - no options					
E - Epoxy Tread					
EL - Photoluminescent and Epoxy Tread					
V3 - Full Body Strength					
EV3 - Epoxy and V3					
ELV3 - Photoluminescent Epoxy and V3					
NH - No Mounting Holes					
WH - Weep Hole (available on 76, 175 models only)					
BV - Beveled Edges (length only - 600 and 601 models only)					
Fasteners					
Blank - standard screws					
221 - Plastic anchors					
222 - Lead Shield					
223 - MSLA-10, Anchor with Machine Screw, 10-24					
224 - MSLA-4, Anchor with Machine Screw, 1/4"-20					
226 - Stainless Steel Anchor, 1/4" x 3"					
Length					
Use decimal to nearest 1/8" Increment					

Thresholds

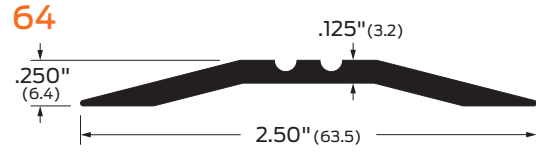
Saddle thresholds



Automatic door bottoms

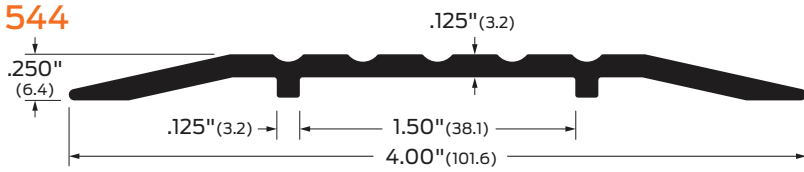


63
Finishes: A, BK, D, G
Options: E, EL, V3, EV3, ELV3
ANSI/BHMA: 63A, 63BK, 63D, 63G, 63A-E, 63BK-E, 63D-E, 63G-E
 J32100, J32130, J32200, J32230
 This item is not BHMA certified.



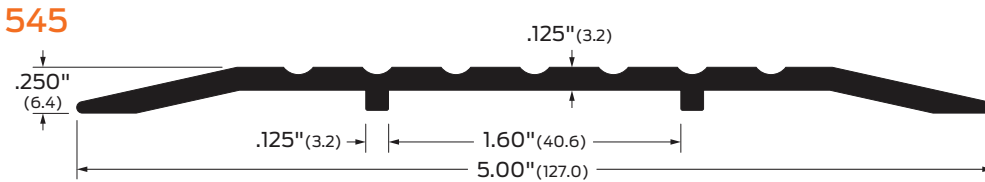
64
Options: E, EL, V3, EV3, ELV3
ANSI/BHMA: 64A, 64BK, 64D, 64G, 64A-E, 64BK-E, 64D-E, 64G-E
 J32100, J32130, J32200, J32230

Perimeter seals



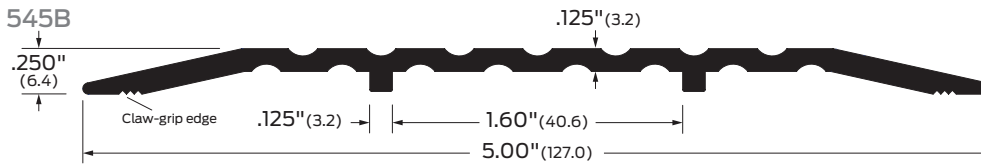
544
Finishes: A, BK, D, G
Options: E, EL, V3, EV3, ELV3
ANSI/BHMA: 544A, 544BK, 544D, 544G, 544A-E, 544BK-E, 544D-E, 544G-E
 J32100, J32130, J32200, J32230

Weatherstripping



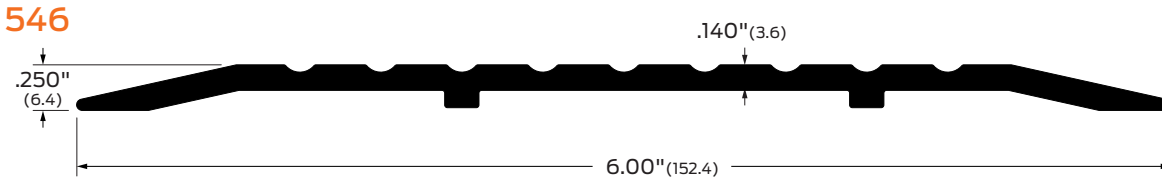
545
Finishes: A, BK, D, G
Options: E, EL, V3, EV3, ELV3
ANSI/BHMA: 545A, 545BK, 545D, 545G, 545A-E, 545BK-E, 545D-E, 545G-E
 J32100, J32130, J32200, J32230

Intumescent



545B
Finishes: B, B-ORB
Options: E, EL, V3, EV3, ELV3 (not available for B-ORB finish)
ANSI/BHMA: 545B, 545B-E
 J12100, J12130, J12200, J12230

Sound control



546
Finishes: A, BK, D, G
Options: E, EL, V3, EV3, ELV3
ANSI/BHMA: 546A, 546BK, 546D, 546G, 546A-E, 546BK-E, 546D-E, 546G-E
 J32100, J32130, J32200, J32230

Supplied without mounting holes.

63 is not BHMA certified. Otherwise all items on this page:



Specialty applications

See Thresholds Accessories & options page for details.

Finishes:

- A** Aluminum mill finish
- BK** Aluminum black anodized
- D** Aluminum dark bronze anodized
- G** Aluminum gold anodized
- B** Bronze, architectural mill finish
- B-ORB** Oil-rubbed bronze

Options:

- E** Epoxy abrasive tread
- EL** Photoluminescent and abrasive epoxy tread
- V3** Full body strength
- EV3** Epoxy and full body strength
- ELV3** Photoluminescent and abrasive epoxy tread, full body strength fill

Note:

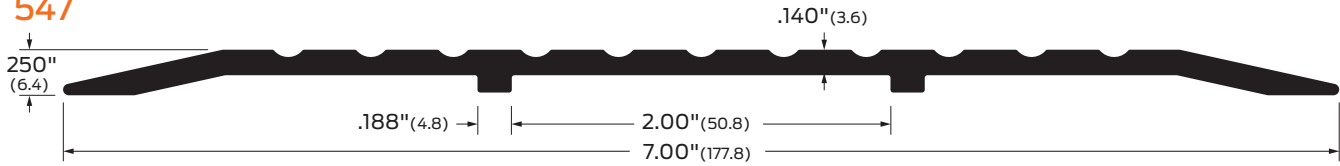
Special anchors available for mounting most thresholds on concrete surfaces.

Appendix



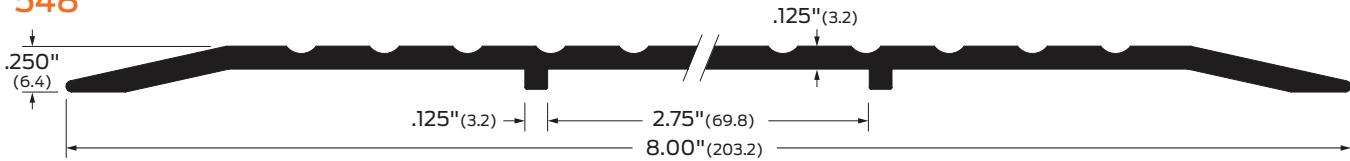
Saddle thresholds

547



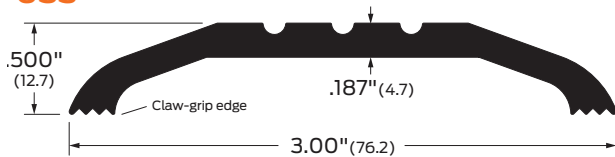
Finishes: A, BK, D, G
Options: E, EL, V3, EV3, ELV3
ANSI/BHMA: 547A, 547BK, 547D, 547G, 547A-E, 547BK-E, 547D-E, 547G-E
J32100, J32130
J32200, J32230
Supplied without mounting holes.

548



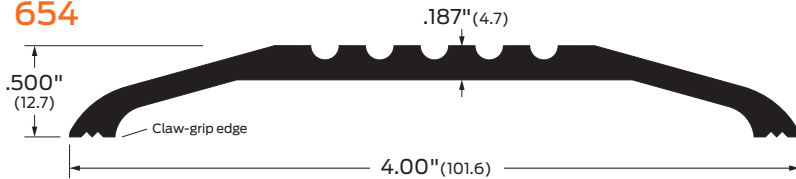
Finishes: A, BK, D, G
Options: E, EL, V3, EV3, ELV3
ANSI/BHMA: 548A, 548BK, 548D, 548G, 548A-E, 548BK-E, 548D-E, 548G-E
J32100, J32130
J32200, J32230
Supplied without mounting holes.

653



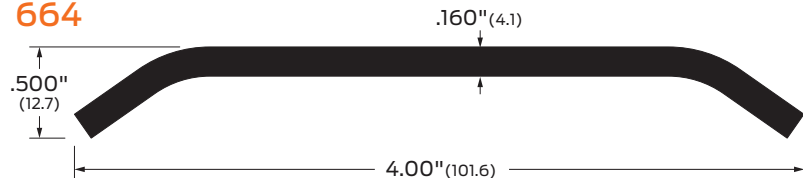
Finishes: A, BK, D, G
Options: E, EL, V3, EV3, ELV3
ANSI/BHMA: 653A, 653BK, 653D, 653G, 653A-E, 653BK-E, 653D-E, 653G-E
J32100, J32130
J32200, J32230

654



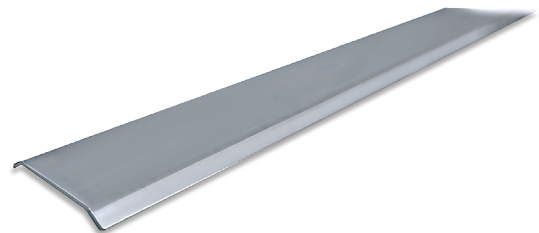
Finishes: A, BK, D, G, B, B-ORB
Options: E, EL, V3, EV3, ELV3 (not available for B-ORB finish)
ANSI/BHMA: 654A, 654BK, 654D, 654G, 654A-E, 654BK-E, 654D-E, 654G-E, 654B, 654B-E
J32100, J32130
J32200, J32230
J12100, J12130
J12200, J12230

664



Finishes: Stainless steel only
Options: E, V3, EV3
ANSI/BHMA: 664STST, 664STST-E
J52300
J52400

E-Epoxy recommended for public access openings
Note: This item is not ADA compliant.



All items on this page:



Note:

Special anchors available for mounting most thresholds on concrete surfaces.

See Thresholds Accessories & options page for details.

Finishes:

- A** Aluminum mill finish
- BK** Aluminum black anodized
- D** Aluminum dark bronze anodized
- G** Aluminum gold anodized
- B** Bronze, architectural mill finish
- B-ORB** Oil-rubbed bronze

Options:

- E** Epoxy abrasive tread
- EL** Photoluminescent and abrasive epoxy tread
- V3** Full body strength
- EV3** Epoxy and full body strength
- ELV3** Photoluminescent and abrasive epoxy tread, full body strength fill

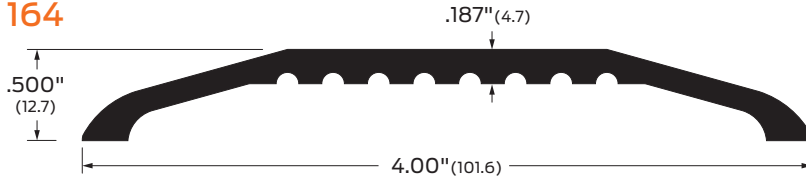


Thresholds

Saddle thresholds

Automatic door bottoms

164



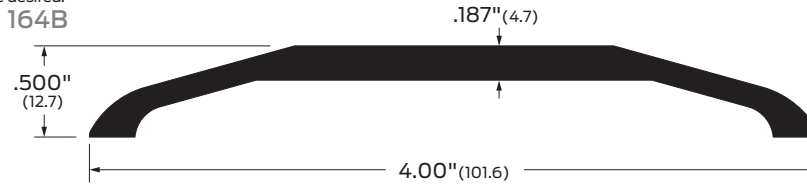
Finishes: ANSI/BHMA:
A, BK, D, G 164A, 164BK, 164D, 164G J32300, J32330
164A-E, 164BK-E, 164D-E, 164G-E J32400, J32430



Model #654 is a recommended alternative if epoxy and/or body strength fills are desired.

Perimeter seals

164B



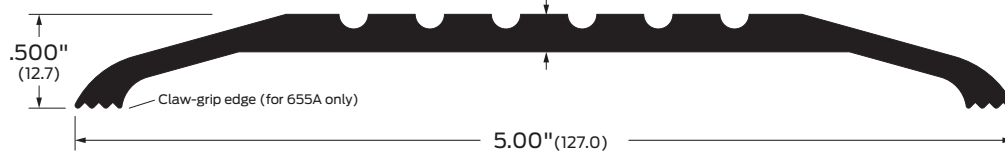
Finishes: ANSI/BHMA:
B, B-ORB 164B J12100, J12130
164B-E J12200, J12230



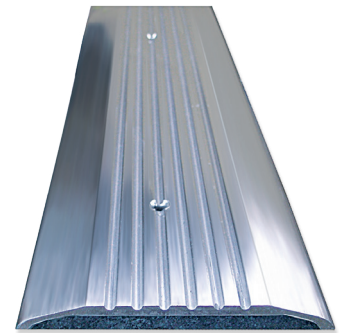
Model #654 is a recommended alternative if epoxy and/or body strength fills are desired.

Weatherstripping

655



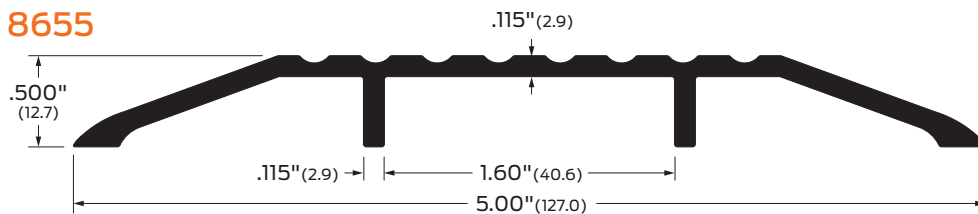
Finishes: Options: ANSI/BHMA:
A, BK, D, G E, EL, V3, 655A, 655BK, 655D, 655G J32100, J32130
B, B-ORB EV3, ELV3 655A-E, 655BK-E, 655D-E, 655G-E J32200, J32230
(not available for B-ORB finish) 655B J12100, J12130
655B-E J12200, J12230



655A-V3 (Full body strength)

Intumescent

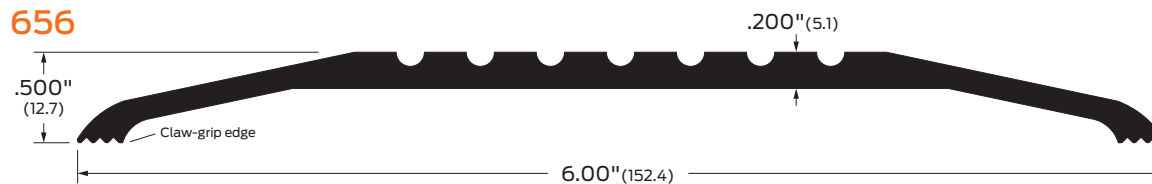
8655



Finishes: Options: ANSI/BHMA:
A, BK, D, G E, EL, V3, 8655A, 8655BK, 8655D, 865G J32100, J32130
EV3, ELV3 8655A-E, 8655BK-E, 8655D-E, 8655G-E J32200, J32230

Sound control

656



Finishes: Options: ANSI/BHMA:
A, BK, D, G E, EL, V3, 656A, 656BK, 656D, 656E J32100, J32130
B, B-ORB EV3, ELV3 656A-E, 656BK-E, 656D-E, 656G-E J32200, J32230
(not available for B-ORB finish) 656B J12100, J12130
656B-E J12200, J12230

Supplied without mounting holes.

All items on this page:



Specialty applications

See Thresholds Accessories & options page for details.

Finishes:

- A** Aluminum mill finish
- BK** Aluminum black anodized
- D** Aluminum dark bronze anodized
- G** Aluminum gold anodized
- B** Bronze, architectural mill finish
- B-ORB** Oil-rubbed bronze

Options:

- E** Epoxy abrasive tread
- EL** Photoluminescent and abrasive epoxy tread
- V3** Full body strength
- EV3** Epoxy and full body strength
- ELV3** Photoluminescent and abrasive epoxy tread, full body strength fill

Note:

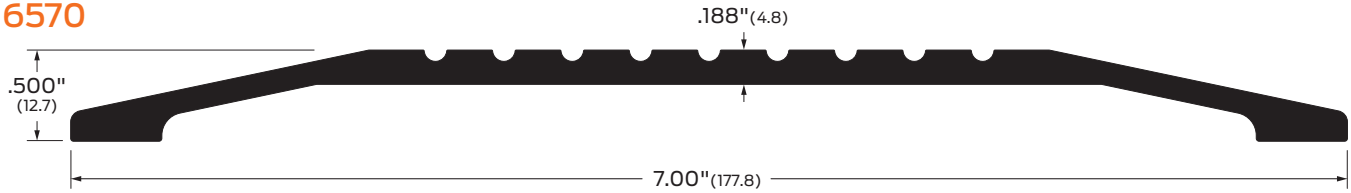
Special anchors available for mounting most thresholds on concrete surfaces.

Appendix



Saddle thresholds

6570

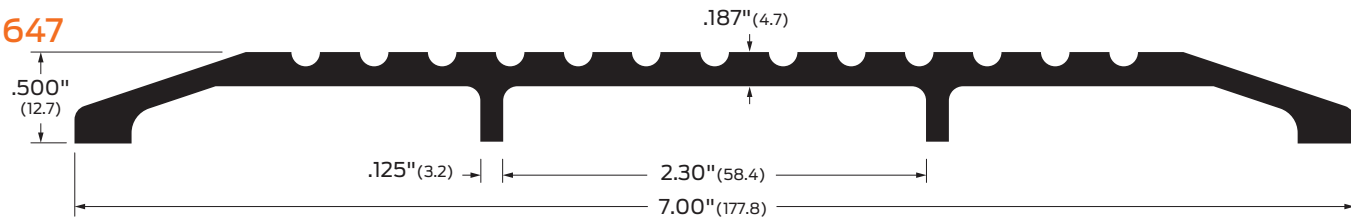


Finishes: A, BK, D, G Options: E, EL, V3, EV3, ELV3 ANSI/BHMA: 6570A, 6570BK, 6570D, 6570G, 6570A-E, 6570BK-E, 6570D-E, 6570G-E J32100, J32130, J32200, J32230



Supplied without mounting holes.

647

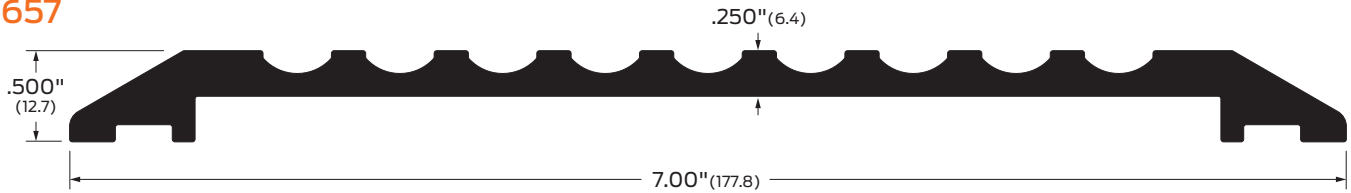


Finishes: B, B-ORB Options: E, EL, V3, EV3, ELV3 (not available for B-ORB finish) ANSI/BHMA: 647B, 647B-E, J12100, J12130, J12200, J12230



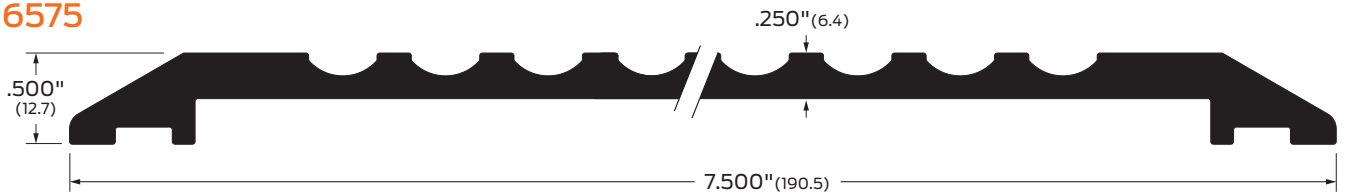
Supplied without mounting holes.

657



Finishes: A, BK, D, G Options: E, EL, V3, EV3, ELV3 ANSI/BHMA: 657A, 657BK, 657D, 657G, 657A-E, 657BK-E, 657D-E, 657G-E J32100, J32130, J32200, J32230

6575



Finishes: A, BK, D, G Options: E, EL, V3, EV3, ELV3 ANSI/BHMA: 657A, 657BK, 657D, 657G, 657A-E, 657BK-E, 657D-E, 657G-E J32100, J32130, J32200, J32230

Note: Model 6570 (see Saddle Thresholds section) may also be suitable for this application (Type 1 only), depending on configuration with floor-mounted automatic door closers. Check that the bevel allows adequate clearance.

All items on this page:



See Thresholds Accessories & options page for details.

Finishes:

- A** Aluminum mill finish
- BK** Aluminum black anodized
- D** Aluminum dark bronze anodized
- G** Aluminum gold anodized
- B** Bronze, architectural mill finish
- B-ORB** Oil-rubbed bronze

Options:

- E** Epoxy abrasive tread
- EL** Photoluminescent and abrasive epoxy tread
- V3** Full body strength
- EV3** Epoxy and full body strength
- ELV3** Photoluminescent and abrasive epoxy tread, full body strength fill

Note:

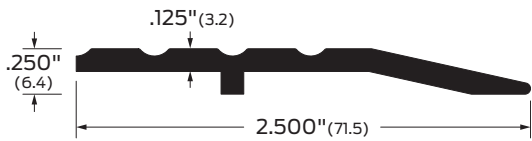
Special anchors available for mounting most thresholds on concrete surfaces.

Thresholds

Half-saddle thresholds

Automatic door bottoms

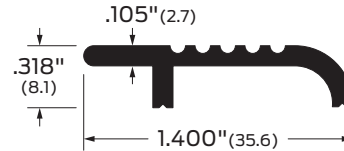
1545



Finishes: A, BK, D, G
Options: E, EL, V3, EV3, ELV3
ANSI/BHMA: 1545A, 1545D, 1545G, 1545BK, 1545A-E, 1545D-E, 1545G-E, 1545BK-E
 J33100, J33130, J33180, J33200, J33230



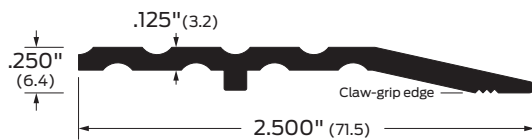
15



Finishes: B, B-ORB
ANSI/BHMA: 15B, J3180, J14170

Perimeter seals

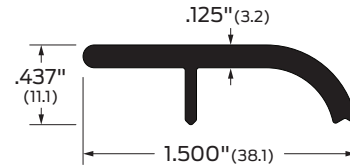
1545B



Finishes: B, B-ORB
Options: E, EL, V3, EV3, ELV3 (not available for ORB finish)
ANSI/BHMA: 1545B, 1545B-E, J33100, J3130, J3180, J33200, J33230



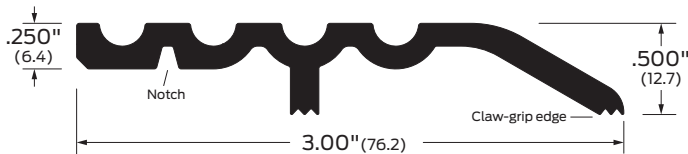
304



Finishes: A, BK, D, G
ANSI/BHMA: 304A, 304D, 304G, 304BK, J33380, J34170

Weatherstripping

1673



Finishes: A, BK, D, G
Options: E, EL, V3, EV3, ELV3
ANSI/BHMA: 1673A, 1673D, 1673G, 1673BK, 1673A-E, 1673D-E, 1673G-E, 1673BK-E
 J33100, J33160, J33180, J33200, J33260

Note: Notch allows use with adjustable threshold system. (See p.23)

Intumescent

1674

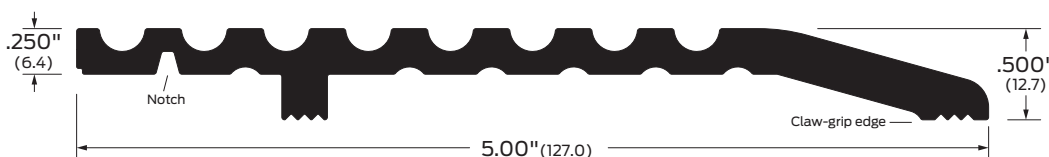


Finishes: A, BK, D, G
Options: E, EL, V3, EV3, ELV3
ANSI/BHMA: 1674A, 1674D, 1674G, 1674BK, 1674A-E, 1674D-E, 1674G-E, 1674BK-E
 J33100, J33160, J33180, J33200, J33260

Note: Notch allows use with adjustable threshold system. (See p.23)

Sound control

1675



Finishes: A, BK, D, G
Options: E, EL, V3, EV3, ELV3
ANSI/BHMA: 1675A, 1675D, 1675G, 1675BK, 1675A-E, 1675D-E, 1675G-E, 1675BK-E
 J33100, J33160, J33180, J33200, J33260

Note: Notch allows use with adjustable threshold system. (See pg. 23)



All items on this page:



Specialty applications

See Thresholds Accessories & options page for details.

Finishes:

- A** Aluminum mill finish
- BK** Aluminum black anodized
- D** Aluminum dark bronze anodized
- G** Aluminum gold anodized
- B** Bronze, architectural mill finish
- B-ORB** Oil-rubbed bronze

Options:

- E** Epoxy abrasive tread
- EL** Photoluminescent and abrasive epoxy tread
- V3** Full body strength
- EV3** Epoxy and full body strength
- ELV3** Photoluminescent and abrasive epoxy tread, full body strength fill

Note:

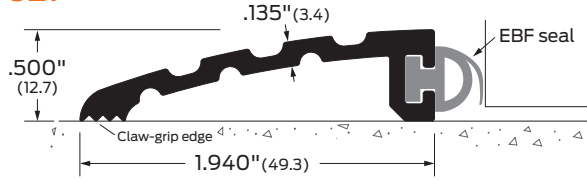
Special anchors available for mounting most thresholds on concrete surfaces.

Appendix



Half-saddle threshold

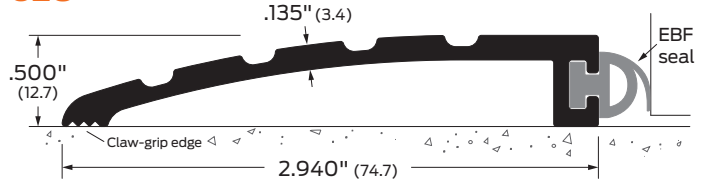
627



Finishes: A, BK, D, G
Options: E, EL, V3, EV3, ELV3
ANSI/BHMA: 627A, 627D, 627G, 627BK, 627A-E, 627D-E, 627G-E, 627BK-E
 J33100, J33210, J33200

Neoprene extruded bulb/finger for secure seal.

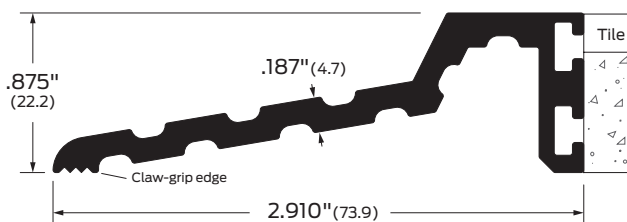
628



Finishes: A, BK, D, G
Options: E, EL, V3, EV3, ELV3

Neoprene extruded bulb/finger for secure seal.

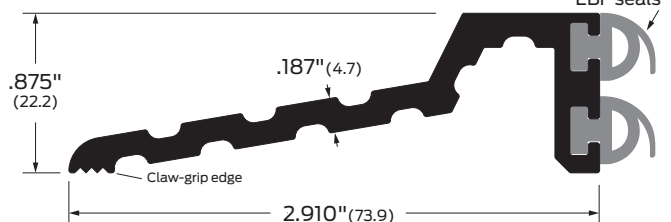
523



Finishes: A, BK, D, G
Options: E, EL, V3, EV3, ELV3
ANSI/BHMA: 523A, 523D, 523G, 523BK, 523A-E, 523D-E, 523G-E, 523BK-E
 J33100, J33160, J33180, J33200, J33260



524

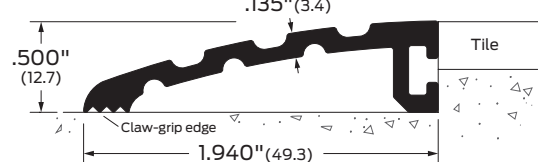


Finishes: A, BK, D, G
Options: E, EL, V3, EV3, ELV3
ANSI/BHMA: 524A, 524D, 524G, 524BK, 524A-E, 524D-E, 524G-E, 524BK-E
 J33100, J33200

Neoprene extruded bulb/finger for secure seal.



622

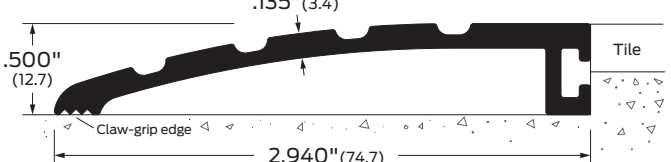


Finishes: A, BK, D, G
Options: E, EL, V3, EV3, ELV3
ANSI/BHMA: 622A, 622D, 622G, 622BK, 622A-E, 622D-E, 622G-E, 622BK-E
 J33100, J33160, J33180, J33200, J33260

Also suitable for use as carpet divider threshold.
 ADA compliant when installed flush with the flooring



623



Finishes: A, BK, D, G
Options: E, EL, V3, EV3, ELV3

Also suitable for use as carpet divider threshold.
 ADA compliant when installed flush with the flooring.



All items on this page:



See Thresholds Accessories & options page for details.

Finishes:

- A** Aluminum mill finish
- BK** Aluminum black anodized
- D** Aluminum dark bronze anodized
- G** Aluminum gold anodized
- B** Bronze, architectural mill finish
- B-ORB** Oil-rubbed bronze

Options:

- E** Epoxy abrasive tread
- EL** Photoluminescent and abrasive epoxy tread
- V3** Full body strength
- EV3** Epoxy and full body strength
- ELV3** Photoluminescent and abrasive epoxy tread, full body strength fill

Note:

Special anchors available for mounting most thresholds on concrete surfaces.

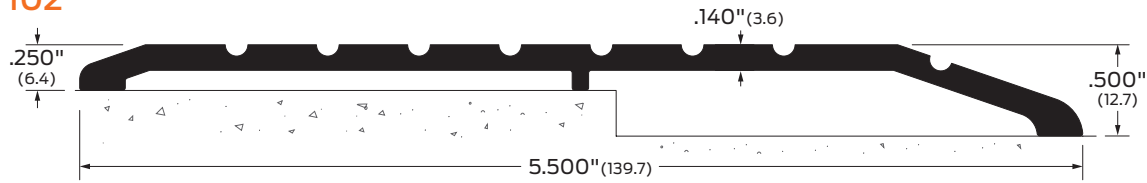


Thresholds

Offset thresholds

Automatic door bottoms

102



Finishes: A, BK, D, G Options: E, EL ANSI/BHMA: 102A, 102D, 102G, 102BK 102A-E, 102D-E, 102G-E, 102BK-E J32180 J32280

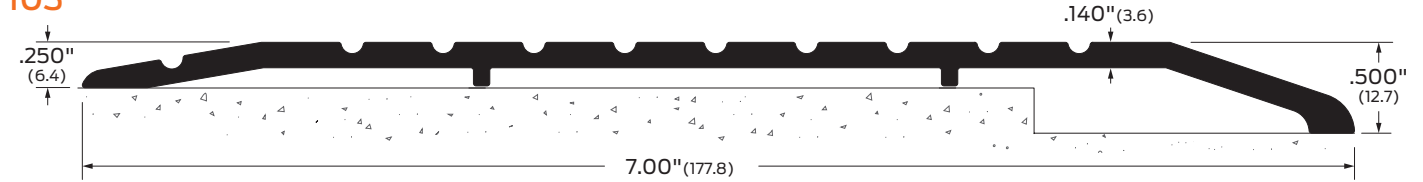
Accessibility offset. Supplied without mounting holes.



Perimeter seals

Weatherstripping

103



Finishes: A, BK, D, G Options: E, EL ANSI/BHMA: 103A, 103D, 103G, 103BK 103A-E, 103D-E, 103G-E, 103BK-E J32180 J32280

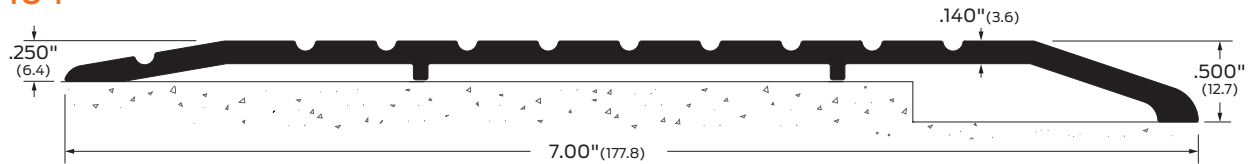
Accessibility offset. Supplied without mounting holes.



Intumescent

Sound control

104



Finishes: A, BK, D, G Options: E, EL ANSI/BHMA: 104A, 104D, 104G, 104BK 104A-E, 104D-E, 104G-E, 104BK-E J32180 J32280

Supplied without mounting holes.

Specialty applications

All items on this page:



See Thresholds Accessories & options page for details.

Finishes:

- A** Aluminum mill finish
- BK** Aluminum black anodized
- D** Aluminum dark bronze anodized
- G** Aluminum gold anodized

Options:

- E** Epoxy abrasive tread
- EL** Photoluminescent and abrasive epoxy tread

Note:

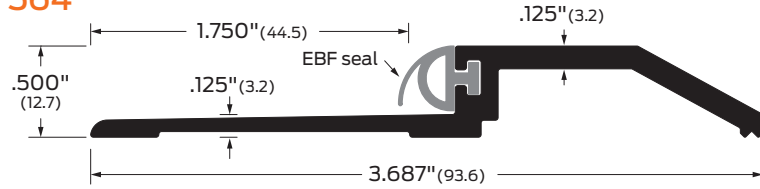
Special anchors available for mounting most thresholds on concrete surfaces.

Appendix

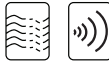


Rabbeted thresholds

564

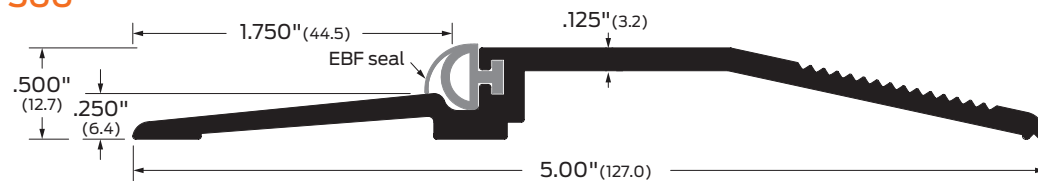


Finishes:	Options:	ANSI/BHMA:	
A, BK, D, G	E, EL, V3,	564A, 564D, 564G, 564BK	J36300
B, B-ORB	EV3, ELV3	564A-E, 564D-E, 564G-E, 564BK-E	J36400
	(not available for B-ORB finish)	564B	J16300
		564B-E	J16400



Suitable for sound control applications and OEM use.
Neoprene extruded bulb/finger for secure seal.

566

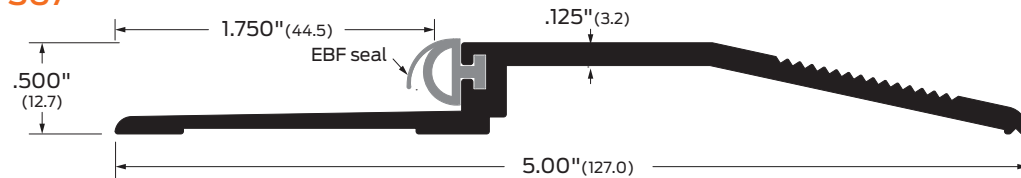


Finishes:	Options:	ANSI/BHMA:	
A, BK, D, G	E, EL, V3,	566A, 566D, 566G	J36100, J36130
	EV3, ELV3	566A-E, 566D-E, 566G-E, 566BK-E	J36200, J36230



Neoprene extruded bulb/finger for secure seal.

567

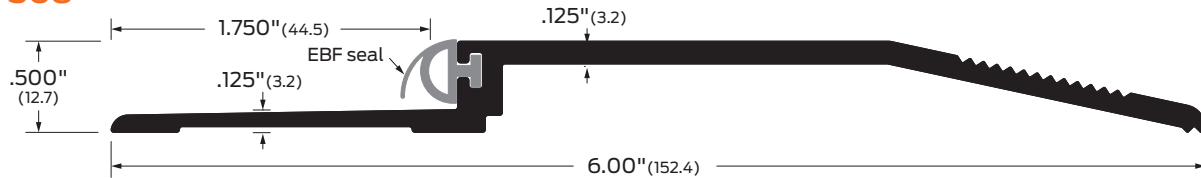


Finishes:	Options:	ANSI/BHMA:	
B, B-ORB	E, EL, V3,	567B	J16100
	EV3, ELV3	567B-E	J16200
	(not available for B-ORB finish)		



Extruded bulb/finger for double-sealing protection.

568



Finishes:	Options:	ANSI/BHMA:	
A, BK, D, G	E, EL, V3,	568A, 568D, 568G, 568BK	J36100
	EV3, ELV3	568A-E, 568D-E, 568G-E, 568BK-E	J36200

Neoprene extruded bulb/finger for secure seal.

All items on this page:



See Thresholds Accessories & options page for details.

Finishes:

- A** Aluminum mill finish
- BK** Aluminum black anodized
- D** Aluminum dark bronze anodized
- G** Aluminum gold anodized
- B** Bronze, architectural mill finish
- B-ORB** Oil-rubbed bronze

Options:

- E** Epoxy abrasive tread
- EL** Photoluminescent and abrasive epoxy tread
- V3** Full body strength
- EV3** Epoxy and full body strength
- ELV3** Photoluminescent and abrasive epoxy tread, full body strength fill

Note:

Special anchors available for mounting most thresholds on concrete surfaces.

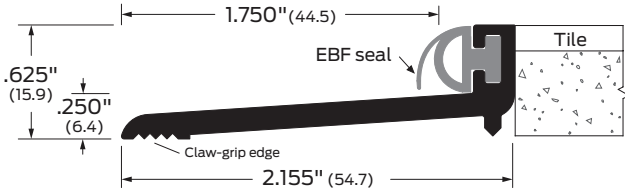
Thresholds

Rabbeted thresholds—standard



Automatic door bottoms

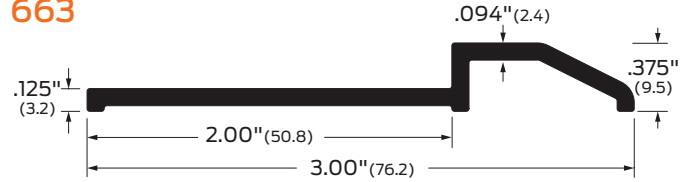
267



Finishes: A, BK, D, G
Options: E, EL
ANSI/BHMA: 267A, 264D, 267G, 267BK, 267A-E, 267D-E, 267G-E, 267BK-E
J36300
J36400

Suitable for uneven floors.
 Neoprene extruded bulb/finger for secure seal.

663



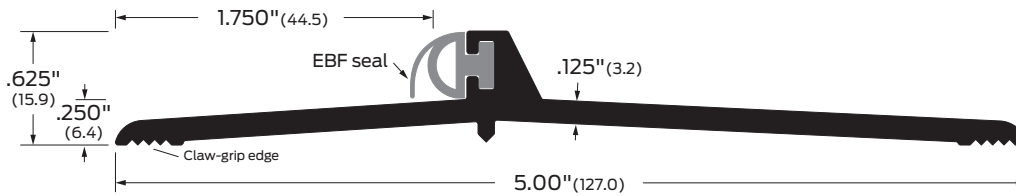
Finishes: A, BK, D, G
Options: E, EL, V3, EV3, ELV3
ANSI/BHMA: 663A, 663D, 663G, 663BK, J37300, J35300

Rabbeted, butt and transition. Supplied without mounting holes.



Perimeter seals

265

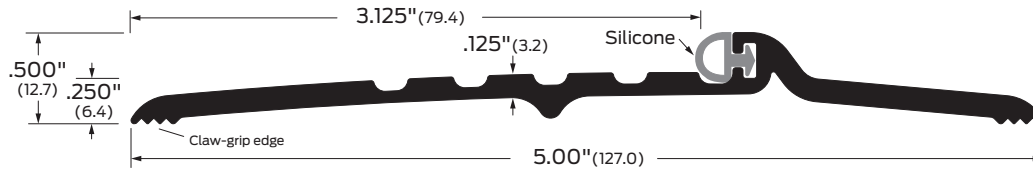


Finishes: A, BK, D, G
Options: E, EL, V3, EV3, ELV3
ANSI/BHMA: 265A, 265D, 265G, 265BK, 265A-E, 265D-E, 265G-E, 265BK-E
J36300
J36400

For latch track hardware.
 Neoprene extruded bulb/finger for secure seal.

Weatherstripping

65



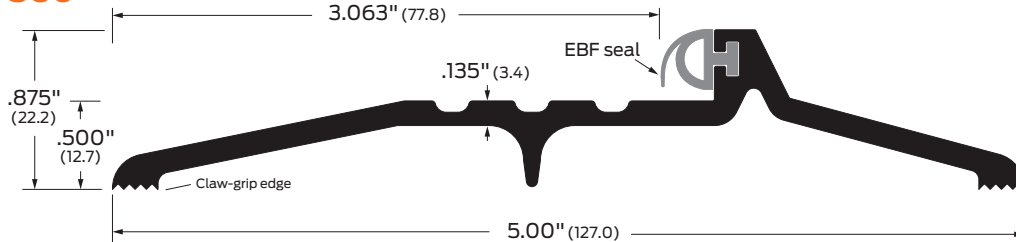
Finishes: A, BK, D, G, B, B-ORB
Options: E, EL, V3, EV3, ELV3
ANSI/BHMA: 65A, 65D, 65G, 65BK, 65A-E, 65D-E, 65G-E, 65BK-E, 65B, 65B-E
J36100, J36130
J36200, J36230
J16100, J16130
J16200, J16230



For latch track hardware.

Intumescent

560

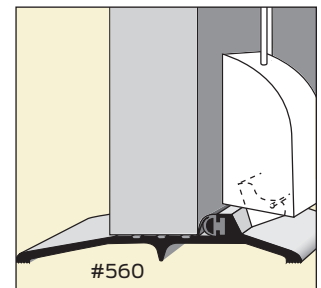


Finishes: A, BK, D, G
Options: E, EL, V3, EV3, ELV3
ANSI/BHMA: 560A, 560D, 560G, 560BK, 560A-E, 560D-E, 560G-E, 560BK-E
J36100
J36200

For latch track hardware.
 Neoprene extruded bulb/finger for secure seal.

Sound control

Specialty applications



#560
 Specially designed for bottom-latching exits and locks.

All items on this page:



See Thresholds Accessories & options page for details.

Finishes:

- A** Aluminum mill finish
- BK** Aluminum black anodized
- D** Aluminum dark bronze anodized
- G** Aluminum gold anodized
- B** Bronze, architectural mill finish
- B-ORB** Oil-rubbed bronze

Options:

- E** Epoxy abrasive tread
- EL** Photoluminescent and abrasive epoxy tread
- V3** Full body strength
- EV3** Epoxy and full body strength
- ELV3** Photoluminescent and abrasive epoxy tread, full body strength fill

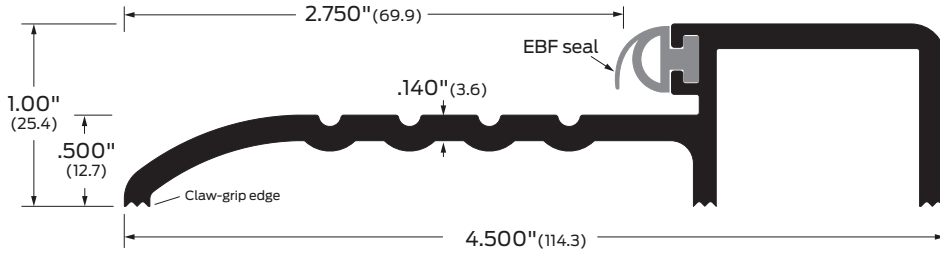
Note:

Special anchors available for mounting most thresholds on concrete surfaces.



Rabbeted thresholds

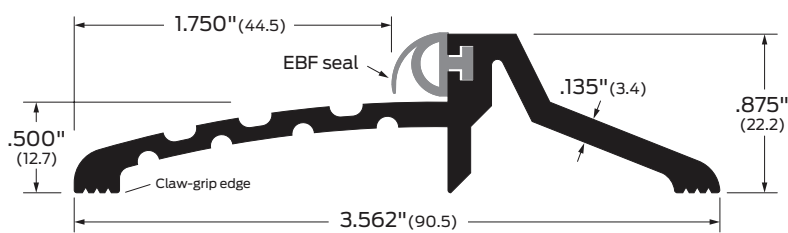
561



Finishes:	Options:	ANSI/BHMA:	
A, BK, D, G	E, EL, V3, EV3, ELV3	561A, 561D, 561G, 561BK 561A-E, 561D-E, 561G-E, 561BK-E	J36100 J36200

Neoprene extruded bulb/finger for secure seal.

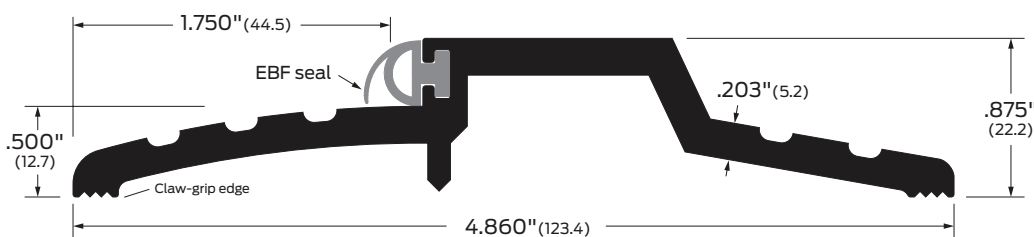
563



Finishes:	Options:	ANSI/BHMA:	
A, BK, D, G	E, EL, V3, EV3, ELV3	563A, 563D, 563G, 563BK 563A-E, 563D-E, 563G-E, 563BK-E	J36100 J36200

Neoprene extruded bulb/finger for secure seal.

565



Finishes:	Options:	ANSI/BHMA:	
A, BK, D, G, B, B-ORB	E, EL, V3, EV3, ELV3 (not available for B-ORB finish)	565A, 565D, 565G, 565BK 565A-E, 565D-E, 565G-E, 565BK-E 565B 565B-E	J36100 J36200 J16100 J16200

Neoprene extruded bulb/finger for secure seal.



All items on this page:



See Thresholds Accessories & options page for details.

Finishes:

- A** Aluminum mill finish
- BK** Aluminum black anodized
- D** Aluminum dark bronze anodized
- G** Aluminum gold anodized
- B** Bronze, architectural mill finish
- B-ORB** Oil-rubbed bronze

Options:

- E** Epoxy abrasive tread
- EL** Photoluminescent and abrasive epoxy tread
- V3** Full body strength
- EV3** Epoxy and full body strength
- ELV3** Photoluminescent and abrasive epoxy tread, full body strength fill

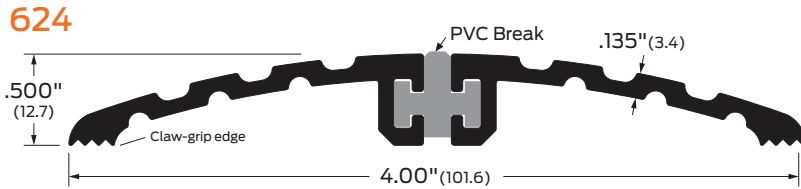
Note:

Special anchors available for mounting most thresholds on concrete surfaces.

Thresholds

Thermal break thresholds

Automatic door bottoms

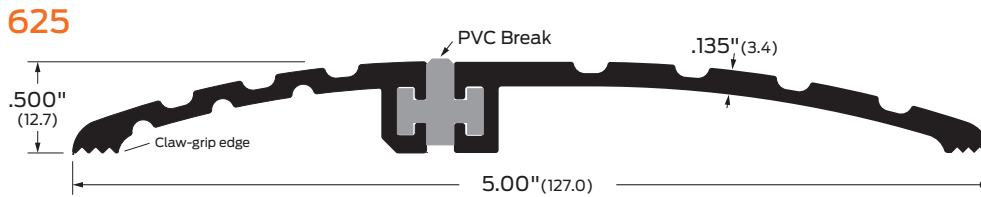


624

Finishes: A, BK, D, G Options: E, EL, V3, EV3, ELV3 ANSI/BHMA: 624A, 624D, 624G, 624BK, 624A-E, 624D-E, 624G-D, 624BK-E J32139 J32239

BHMA CERTIFIED

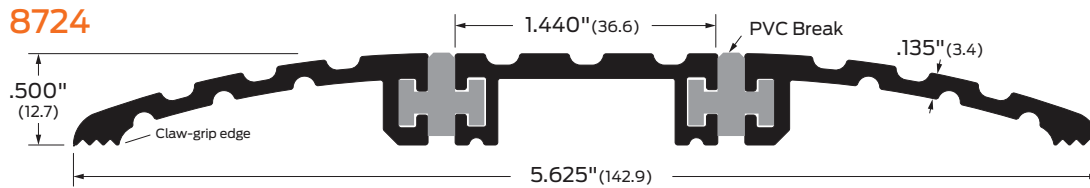
Perimeter seals



625

Finishes: A, BK, D, G Options: E, EL, V3, EV3, ELV3

Weatherstripping

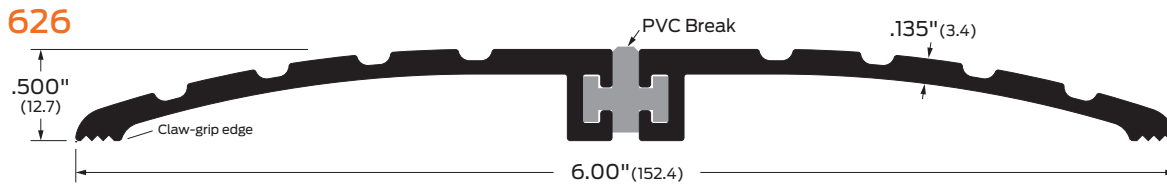


8724

Finishes: A, BK, D, G Options: E, EL, V3, EV3, ELV3 ANSI/BHMA: 8724A, 8724D, 8724G, 8724BK, 8724A-E, 8724D-E, 8724G-E, 8724BK-E J32139 J32239

BHMA CERTIFIED

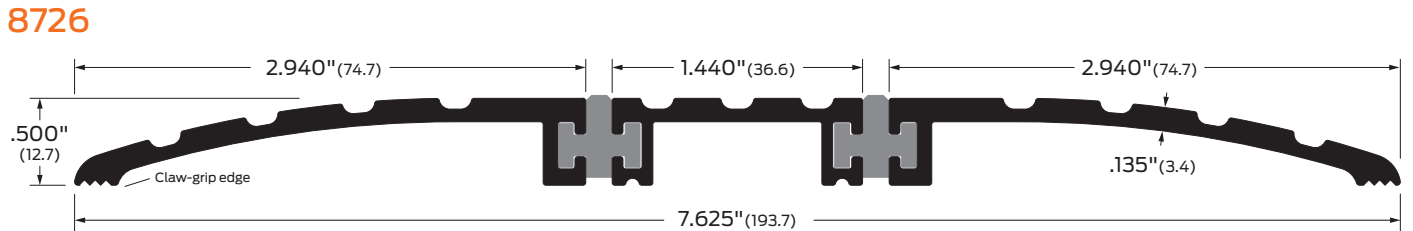
Intumescent



626

Finishes: A, BK, D, G Options: E, EL, V3, EV3, ELV3

Sound control



8726

Finishes: A, BK, D, G Options: E, EL, V3, EV3, ELV3

Full illustration not to scale

All items on this page:



Specialty applications

See Thresholds Accessories & options page for details.

Finishes:

- A** Aluminum mill finish
- BK** Aluminum black anodized
- D** Aluminum dark bronze anodized
- G** Aluminum gold anodized
- B** Bronze, architectural mill finish
- B-ORB** Oil-rubbed bronze

Options:

- E** Epoxy abrasive tread
- EL** Photoluminescent and abrasive epoxy tread
- V3** Full body strength fill
- EV3** Epoxy and full body strength fill
- ELV3** Photoluminescent and abrasive epoxy tread, full body strength fill

Note:

Special anchors available for mounting most thresholds on concrete surfaces.

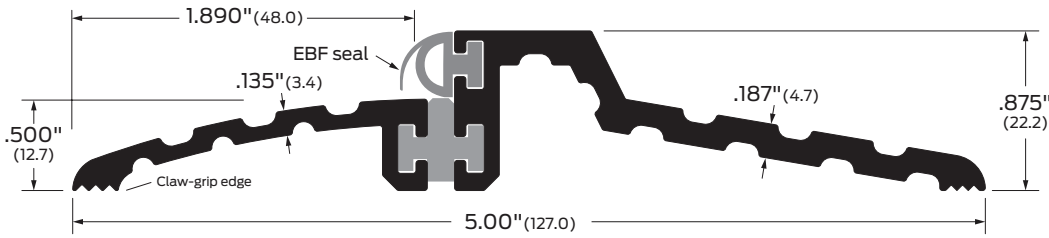
Width dimensions for thresholds on this page are nominal. Slight variations may result from thermal break manufacturing.

Appendix



Thermal break thresholds

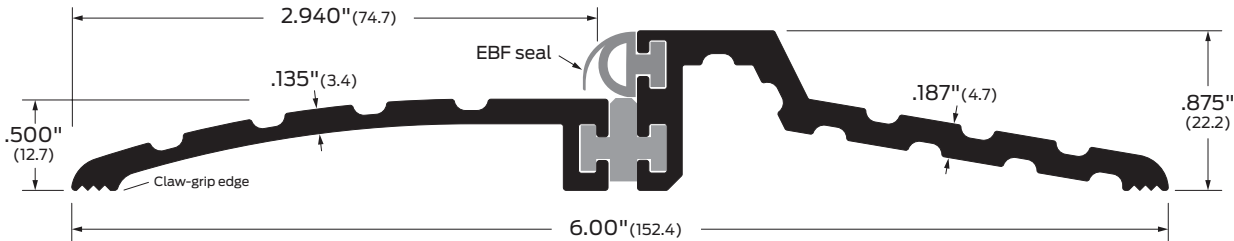
525



Finishes: A, BK, D, G Options: E, EL, V3, EV3, ELV3 ANSI/BHMA: 525A, 525BK, 525D, 525G J36190

Neoprene extruded bulb/finger for secure seal.

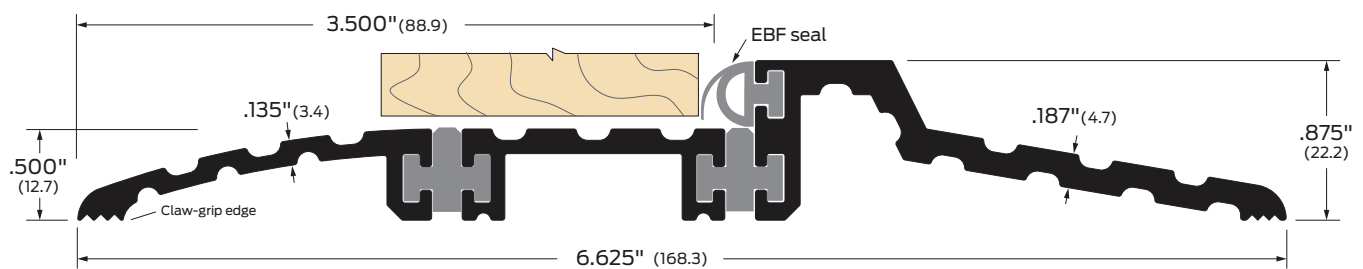
526



Finishes: A, BK, D, G Options: E, EL, V3, EV3, ELV3 ANSI/BHMA: 526A, 526BK, 526D, 526G, 526A-E, 526BK-E, 526D-E, 526G-E J36190, J36290

Neoprene extruded bulb/finger for secure seal.

8729



Finishes: A, BK, D, G Options: E, EL, V3, EV3, ELV3 ANSI/BHMA: 8729A, 8729BK, 8729D, 8729G, 8729A-E, 8729BK-E, 8729D-E, 8729G-E J36190, J36290

Neoprene extruded bulb/finger for secure seal.

All items on this page:



See Thresholds Accessories & options page for details.

Finishes:

- A** Aluminum mill finish
- BK** Aluminum black anodized
- D** Aluminum dark bronze anodized
- G** Aluminum gold anodized
- B** Bronze, architectural mill finish
- B-ORB** Oil-rubbed bronze

Options:

- E** Epoxy abrasive tread
- EL** Photoluminescent and abrasive epoxy tread
- V3** Full body strength fill
- EV3** Epoxy and full body strength fill
- ELV3** Photoluminescent and abrasive epoxy tread, full body strength fill

Note:

Special anchors available for mounting most thresholds on concrete surfaces.
Width dimensions for thresholds on this page are nominal. Slight variations may result from thermal break manufacturing.

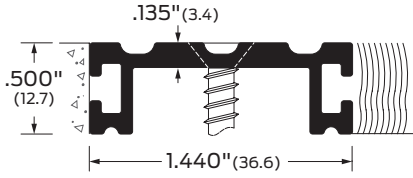
Thresholds

Carpet divider thresholds



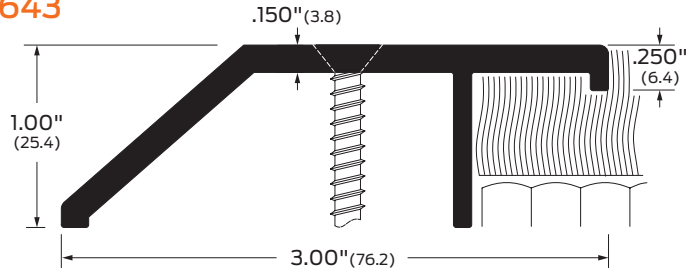
Automatic door bottoms

522



Finishes: A, BK, D, G
Options: E, EL, V3, EV3, ELV3
ANSI/BHMA: 522A, 522BK, 522D, 522E, 522A-E, 522BK-E, 522D-E, 522G-E
J32140
J32240

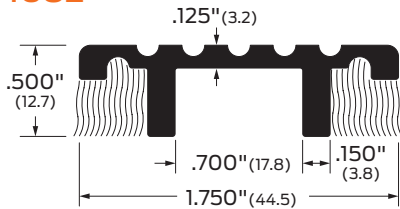
643



Finishes: A, BK, D, G
Options: E, EL, V3, EV3, ELV3
ANSI/BHMA: 643A, 643BK, 643D, 643G, 643A-E, 643BK-E, 643D-E, 643G-E
J33300, J33340
J33400, J33440

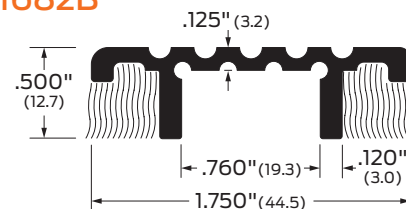
Perimeter seals

1682



Finishes: A, BK, D, G
Options: E, EL, V3, EV3, ELV3
ANSI/BHMA: 1682A, 1682BK, 1682D, 1682G, 1682A-E, 1682BK-E, 1682D-E, 1682G-E
J32140
J32240

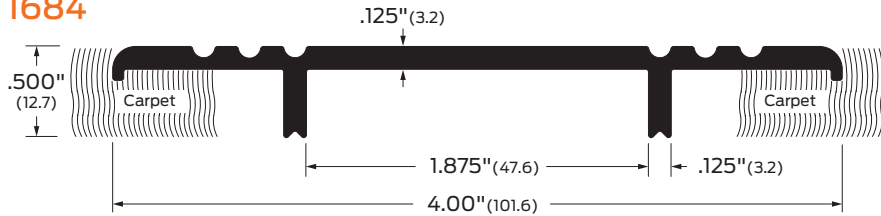
1682B



Finishes: B, B-ORB
Options: E, EL, V3, EV3, ELV3 (not available for B-ORB finish)
ANSI/BHMA: 1682B, 1682B-E
J12140
J12240

Weatherstripping

1684



Finishes: A, BK, D, G
Options: E, EL, V3, EV3, ELV3
ANSI/BHMA: 1684A, 1684BK, 1684D, 1684G, 1684A-E, 1684BK-E, 1684D-E, 1684G-E
J32140
J32240

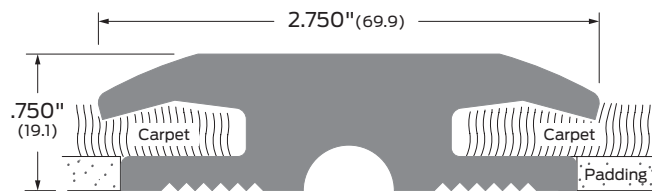
All items in top section:



Intumescent

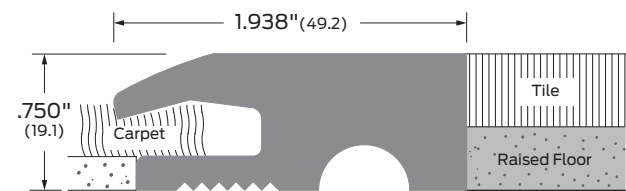
Sound control

1685R



Finish: Black only
 Traction Tread™ rubber for non-rated door. Supplied without mounting holes.

1686R



Finish: Black only
 Traction Tread™ rubber for non-rated door. Supplied without mounting holes.

Specialty applications

See Thresholds Accessories & options page for details.

Finishes:

- A** Aluminum mill finish
- BK** Aluminum black anodized
- D** Aluminum dark bronze anodized
- G** Aluminum gold anodized
- B** Bronze, architectural mill finish
- B-ORB** Oil-rubbed bronze

Options:

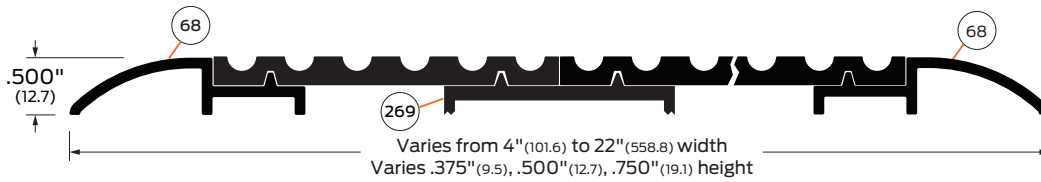
- E** Epoxy abrasive tread
- EL** Photoluminescent and abrasive epoxy tread
- V3** Full body strength
- EV3** Epoxy and full body strength
- ELV3** Photoluminescent and abrasive epoxy tread, full body strength fill

Note:

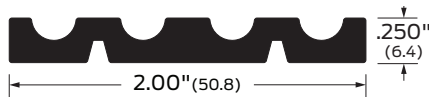
Special anchors available for mounting most thresholds on concrete surfaces.



Adjustable thresholds

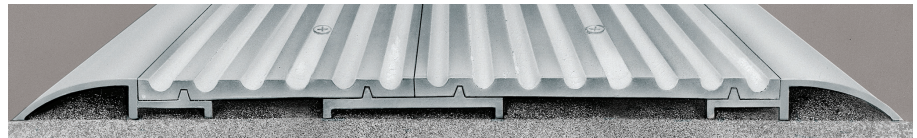


672

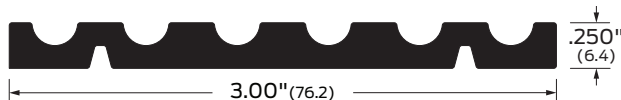


Finishes: A, BK, D, G
Options: E, EL, ELV3
ANSI/BHMA: 672A, 672D, 672G, 672BK, 672A-E, 672D-E, 672G-E, 672BK-E
J37100, J37136
J37200, J37236

Supplied without mounting holes.



673



Finishes: A, BK, D, G
Options: E, EL, ELV3
ANSI/BHMA: 673A, 673D, 673G, 673BK, 673A-E, 673D-E, 673G-E, 673BK-E, 673B, 673B-E
J37100, J37136
J37200, J37236
J17100, J17136
J17200, J17236

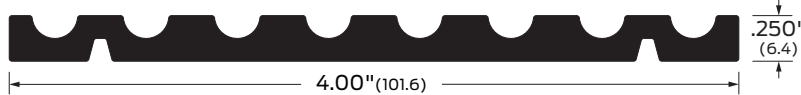
Supplied without mounting holes.

Installation note:

ZERO adjustable thresholds systems can be installed easily and quickly without welding or screws on the base. Screws are required only to secure the top plate.

For thresholds with vertical wraparounds (#105, #106, #107), screws are recommended in both directions for firm attachment at anchor points.

674



Finishes: A, BK, D, G
Option: E, EL, ELV3
ANSI/BHMA: 674A, 674D, 674G, 674BK, 674A-E, 674D-E, 674G-E, 674BK-E, 674B, 674B-E
J37100, J37136
J37200, J37236
J17100, J17136
J17200, J17236

Supplied without mounting holes.

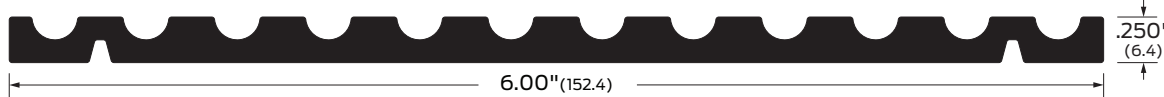
675



Finishes: A, BK, D, G
Option: E, EL, ELV3
ANSI/BHMA: 675A, 675D, 675G, 675BK, 675A-E, 675D-E, 675G-E, 675BK-E
J37100, J37136
J37200, J37236

Supplied without mounting holes.

676



Finishes: A, BK, D, G
Option: E, EL, ELV3
ANSI/BHMA: 676A, 676D, 676G, 676BK, 676A-E, 676D-E, 676G-E, 676BK-E, 676B, 676B-E
J37100, J37136
J37200, J37236
J17100, J17136
J17200, J17236

Supplied without mounting holes.

All items on this page:



See Thresholds Accessories & options page for details.

Finishes:

- A** Aluminum mill finish
- BK** Aluminum black anodized
- D** Aluminum dark bronze anodized
- G** Aluminum gold anodized
- B** Bronze, architectural mill finish
- B-ORB** Oil-rubbed bronze

Options:

- E** Epoxy abrasive tread
- EL** Photoluminescent and abrasive epoxy tread
- ELV3** Photoluminescent and abrasive epoxy tread, full body strength fill

Note:

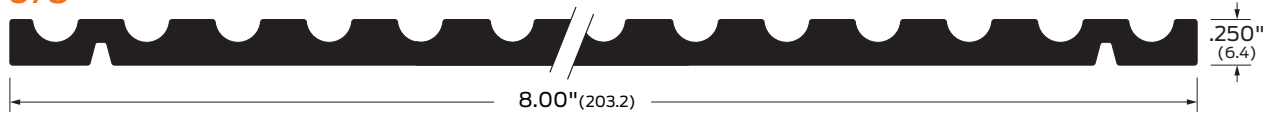
Special anchors available for mounting most thresholds on concrete surfaces.
Suitable for use as recessed expansion joint floor plate for ADA openings.



Thresholds

Adjustable thresholds

678

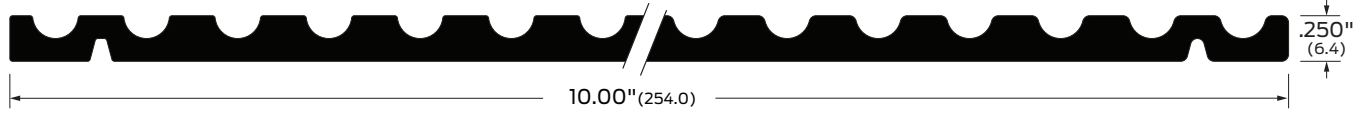


Finishes: A, BK, D, G Options: E, EL, ELV3 ANSI/BHMA: 678A, 678D, 678G, 678BK 678A-E, 678D-E, 678G-E, 678BK-E J37100, J37136 J37200, J37236



Supplied without mounting holes.

6710

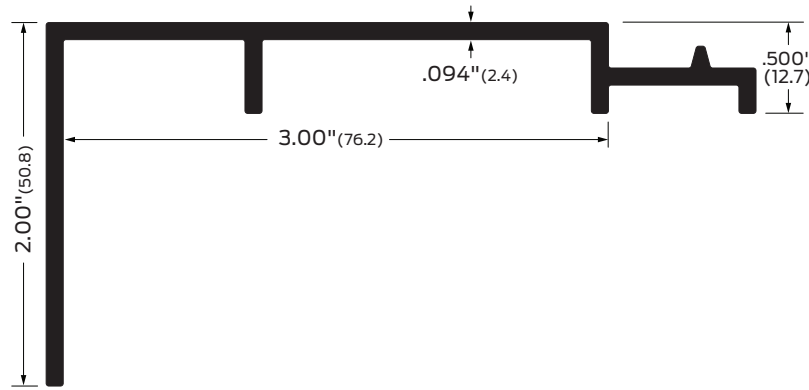


Finishes: A, BK, D, G Options: E, EL, ELV3 ANSI/BHMA: 6710A, 6710D, 6710G, 6710BK 6710A-E, 6710D-E, 6710G-E, 6710BK-E J37136 J37236



Supplied without mounting holes.

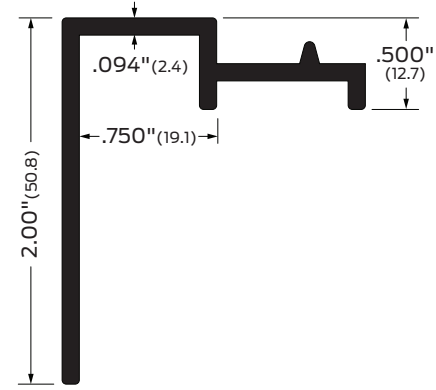
105



Finishes: A, BK, D, G Options: E, EL, V3 ANSI/BHMA: 105A, 105D, 105G, 105BK J37360, J37368

Supplied without mounting holes.

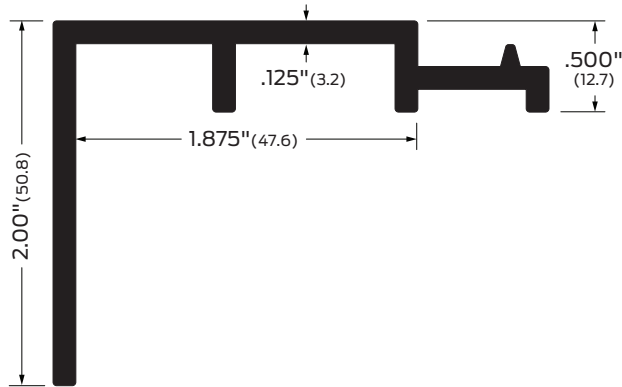
106



Finishes: A, BK, D, G Options: E, EL, V3 ANSI/BHMA: 106A, 106BK, 106D, 106G J37360, J37368

Supplied without mounting holes.

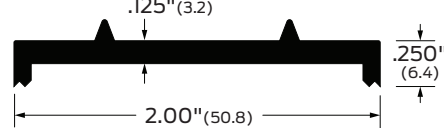
107



Finishes: B, B-ORB Options: E, EL, V3 ANSI/BHMA: 107B J17360, J17368

Supplied without mounting holes.

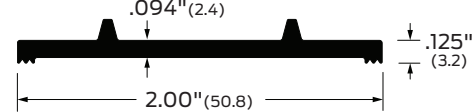
269



Finish: A ANSI/BHMA: 269A J37360, J37336

Connector plate

469



Finish: A ANSI/BHMA: 469A J37360, J37336

Connector plate

All items on this page:



See Thresholds Accessories & options page for details.

Finishes:

- A** Aluminum mill finish
- BK** Aluminum black anodized
- D** Aluminum dark bronze anodized
- G** Aluminum gold anodized
- B** Bronze, architectural mill finish
- B-ORB** Oil-rubbed bronze

Options:

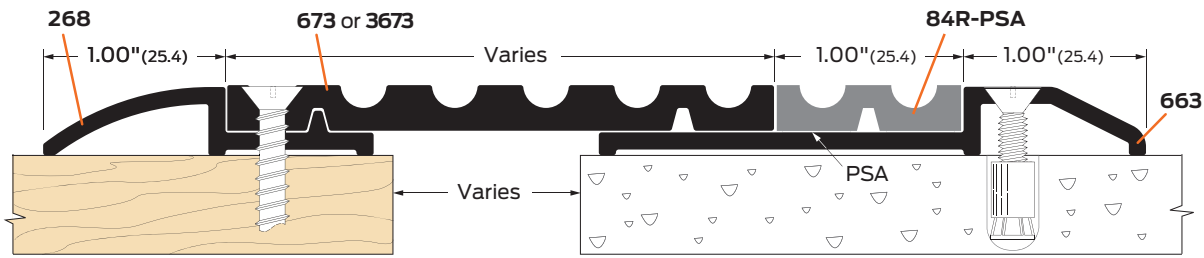
- E** Epoxy abrasive tread
- EL** Photoluminescent and abrasive epoxy tread
- V3** Full body strength
- ELV3** Photoluminescent and abrasive epoxy tread, full body strength fill

Note:

Special anchors available for mounting most thresholds on concrete surfaces.
Suitable for use as recessed expansion joint floor plate for ADA openings.

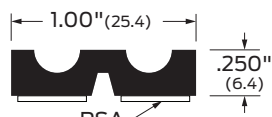
Adjustable thresholds

Series 671



Order components separately.
 Floor cover for 1" expansion joints, surface.
 Ideal for use as transition threshold for free-floating wood gymnasium floors. Requires a 1/8" gap between metal and rubber components to prevent damage to rubber from expansion pressures.

84R-PSA



Finishes: Gray, BK

268

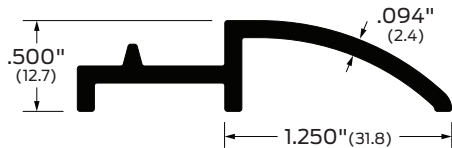


Finishes: ANSI/BHMA:
 A, BK, D, G 268A, 268BK, 268D, 268G J37360, J37336
 B, B-ORB 268B J17360, J17336

Threshold rest. Supplied without mounting holes.



68

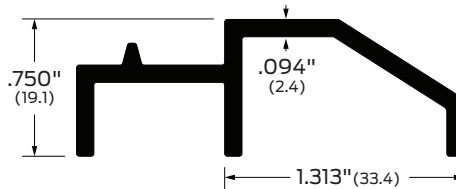


Finishes: ANSI/BHMA:
 A, BK, D, G 68A, 68BK, 68D, 68G J37360, J37336
 B, B-ORB 68B J17360, J17336

Threshold rest. Supplied without mounting holes.



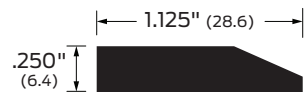
168



Finishes: ANSI/BHMA:
 A, BK, D, G 168A, 168BK, 168D, 168G J37360
 B, B-ORB 168B J17360

Threshold rest. Supplied without mounting holes.

69



Finish: ANSI/BHMA:
 A 69A J32110, J37300

Threshold prep/shim. Supplied without mounting holes.

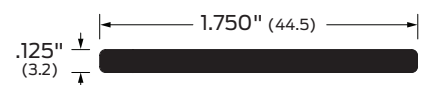
48



Finish: ANSI/BHMA:
 A 48A J37300

Threshold prep/shim. Supplied without mounting holes.

49



Finish: ANSI/BHMA:
 A 49A J37300

Threshold prep/shim. Supplied without mounting holes.

All items on this page, except 84R-PSA:



Note:

Special anchors available for mounting most thresholds on concrete surfaces.

See Thresholds Accessories & options page for details.

Finishes:

- A** Aluminum mill finish
- BK** Aluminum black anodized
- D** Aluminum dark bronze anodized
- G** Aluminum gold anodized
- B** Bronze, architectural mill finish
- B-ORB** Oil-rubbed bronze

Door sealing systems

Traction tread adjustable thresholds

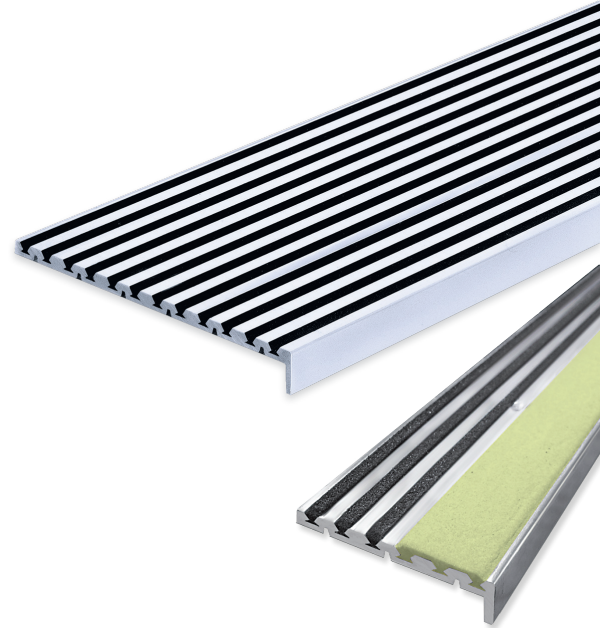


Traction Tread™ thresholds and nosings are available with an epoxy abrasive (non-slip particles) bonded into the grooves, or with formulated rubber inserts.

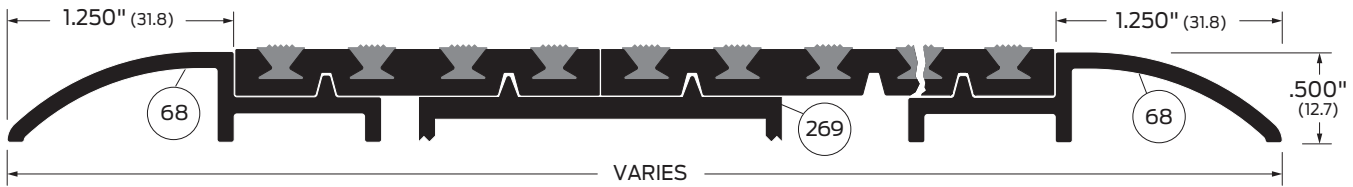
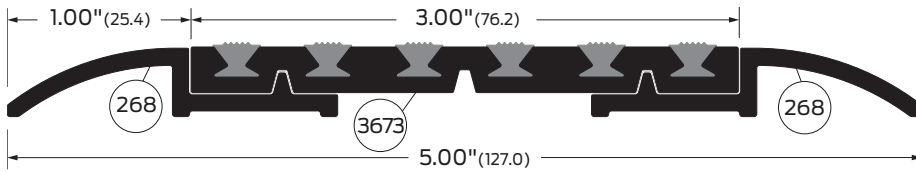
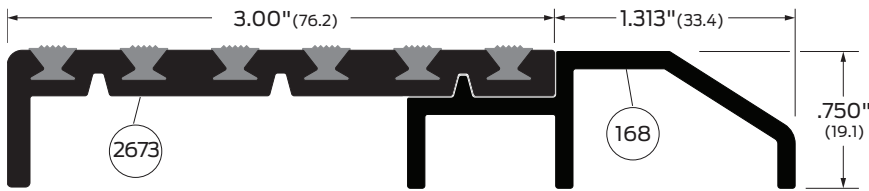
Rubber traction tread: Attractive, smooth, tough rubber inserts that are flush with the aluminum surface for indoor applications. The aluminum/rubber combination is easy to cut and drill at the jobsite. Superior non-slip traction with great longevity. Available in black color only. Rubber traction tread is standard, unless Abrasive (E) Traction tread is specified.

Abrasive traction tread (E): The ultimate safety surface. This extremely durable surface provides a high degree of safety for outdoor applications and is ideal for schools, hospitals, industrial buildings. The epoxy abrasive particle mix is bonded to the aluminum base. Available in black color only.

Photoluminescent traction tread (EL): Rubber or abrasive traction tread integrated with epoxy abrasive photoluminescent tread. For indoor exit path applications.

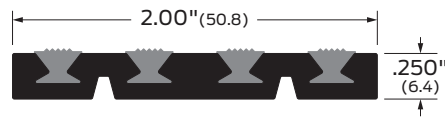


Threshold assembly applications



Note: Order components separately.
Suitable for slip-resistant applications.

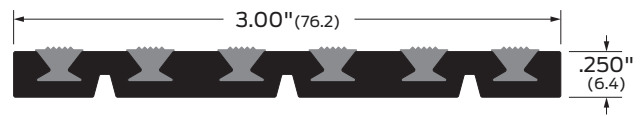
3672



Finishes: A, BK, D, G Options: E, EL ANSI/BHMA: 3672A, 3672D, 3672G, 3672BK 3672A-E, 3672D-E, 3672G-E, 3672BK-E
J37100 J37236

Supplied without mounting holes.

3673



Finishes: A, BK, D, G Option: E, EL ANSI/BHMA: 3673A, 3673D, 3673G, 3673BK 3673A-E, 3673D-E, 3673G-E, 3673BK-E
J37100 J37236

Supplied without mounting holes.

3672 & 3673:



See Thresholds Accessories & options page for details.

Finishes:

- A** Aluminum mill finish
- BK** Aluminum black anodized
- D** Aluminum dark bronze anodized
- G** Aluminum gold anodized
- B** Bronze, architectural mill finish
- B-ORB** Oil-rubbed bronze

Options:

- E** Epoxy abrasive tread
- EL** Photoluminescent and abrasive epoxy tread

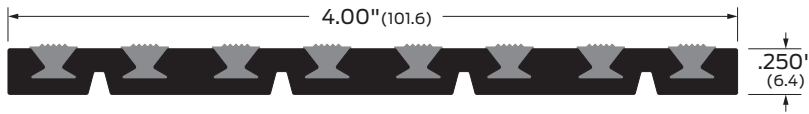
Note:

Special anchors available for mounting most thresholds on concrete surfaces.



Traction tread adjustable thresholds

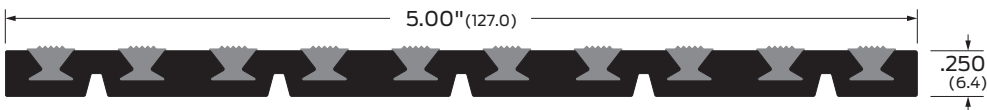
3674



Finishes: A, BK, D, G Options: E, EL ANSI/BHMA: 3674A, 3674D, 3674G, 3674BK J37136
3674A-E, 3674D-E, 3674G-E, 3674BK-E J37236

Supplied without mounting holes.

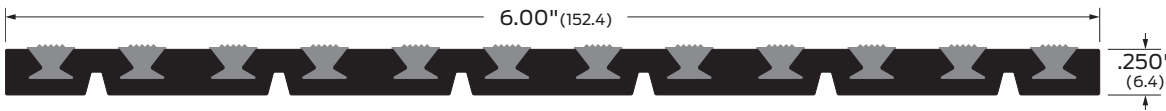
3675



Finishes: A, BK, D, G Options: E, EL ANSI/BHMA: 3675A, 3675D, 3675G, 3675BK J37136
3675A-E, 3675D-E, 3675G-E, 3675BK-E J37236

Supplied without mounting holes.

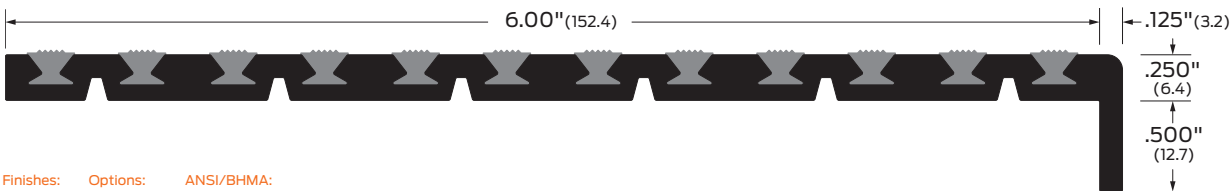
3676



Finishes: A, BK, D, G Options: E, EL ANSI/BHMA: 3676A, 3676D, 3676G, 3676BK J37136
3676A-E, 3676D-E, 3676G-E, 3676BK-E J37236

Supplied without mounting holes.

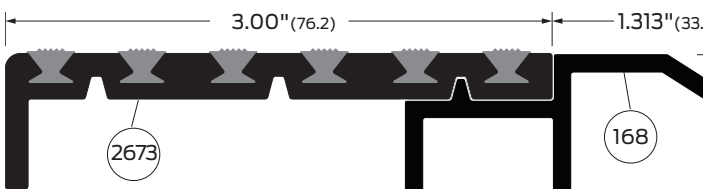
2676



Finishes: A, BK, D, G Options: E, EL ANSI/BHMA: 2676A, 2676D, 2676G, 2376BK J37380, J37386
2676A-E, 2676D-E, 2676G-E, 2676BK-E J37280, J37286

Supplied without mounting holes.

2673



Finishes: A, BK, D, G, B, B-ORB Options: E, EL (not available for ORB finish) ANSI/BHMA: 2673A, 2673D, 2673G, 2673BK J37380, J37386
2673A-E, 2673D-E, 2673G-E, 2673BK-E J37380, J37386
2673B 2673B-E J37380, J37386

Supplied without mounting holes.



All items on this page:



Note:

Special anchors available for mounting most thresholds on concrete surfaces.

See Thresholds Accessories & options page for details.

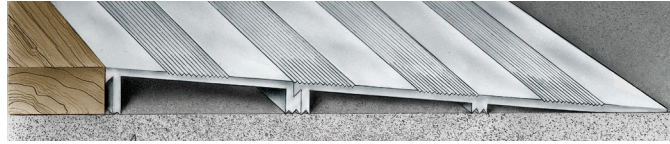
Finishes:

- A** Aluminum mill finish
- BK** Aluminum black anodized
- D** Aluminum dark bronze anodized
- G** Aluminum gold anodized
- B** Bronze, architectural mill finish
- B-ORB** Oil-rubbed bronze

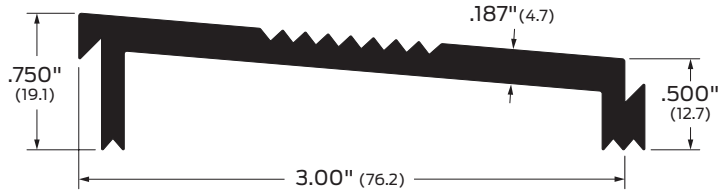
Options:

- E** Epoxy abrasive tread
- EL** Photoluminescent and abrasive epoxy tread

Thresholds Ramps



233



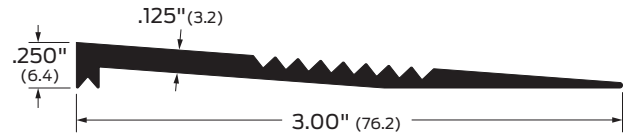
Finishes: A, BK, D, G
Options: E, EL, V3, EV3, ELV3
ANSI/BHMA: 233A, 233D, 233G, 233BK, 233A-E, 233D-E, 233G-E, 233BK-E
J38100, J38160, J38200, J38260



233 is ADA compliant when 236 ramp model is added

Supplied without mounting holes.

235

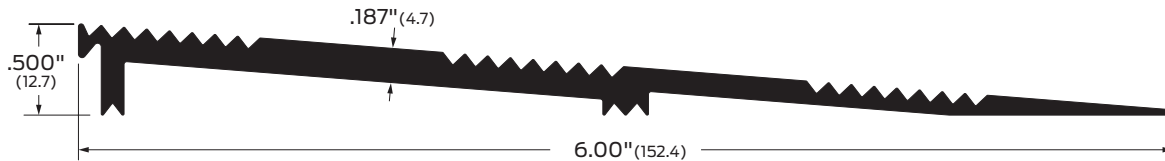


Finishes: A, BK, D, G
Options: E, EL
ANSI/BHMA: 235A, 235D, 235G, 235BK, 235A-E, 235D-E, 235G-E, 235BK-E
J38100, J38160, J38163, J38230



Supplied without mounting holes.

236

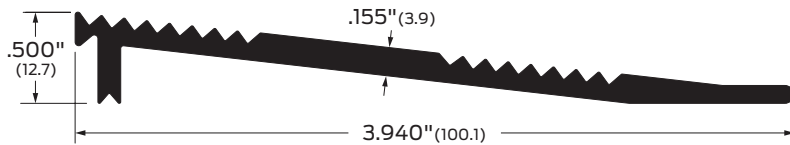


Finishes: A, BK, D, G
Options: E, EL
ANSI/BHMA: 236A, 236D, 236G, 236BK, 236A-E, 236D-E, 236G-E, 236BK-E
J38100, J38160, J38200, J38230



Supplied without mounting holes.

2361

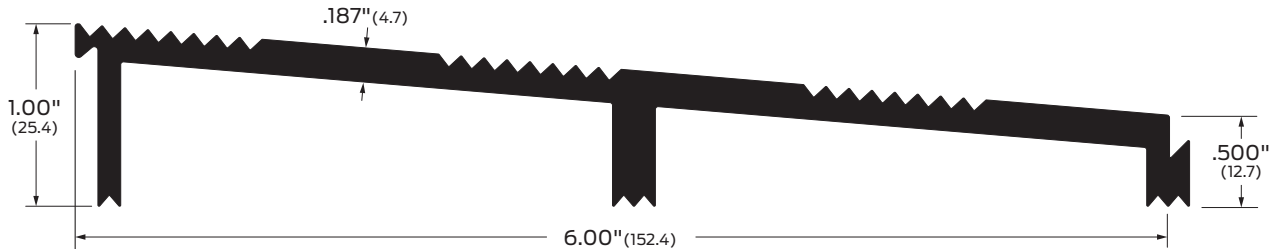


Finishes: AA
Options: E, EL
ANSI/BHMA: 2361AA, 2361D, 2361G, 2361BK, 2361AA-E, 2361D-E, 2361G-E, 2361BK-E
J38100, J38160, J38200, J38230



Supplied without mounting holes.
 Available in anodized aluminum only (AA).

232



Finishes: A, BK, D, G
Options: E, EL, V3, EV3, ELV3
ANSI/BHMA: 232A, 232D, 232G, 232BK, 232A-E, 232D-E, 232G-E, 232BK-E
J38100, J38160, J38200, J38260

Supplied without mounting holes.

All items on this page:



Note:

Special anchors available for mounting most thresholds on concrete surfaces.

See Thresholds Accessories & options page for details.

Finishes:

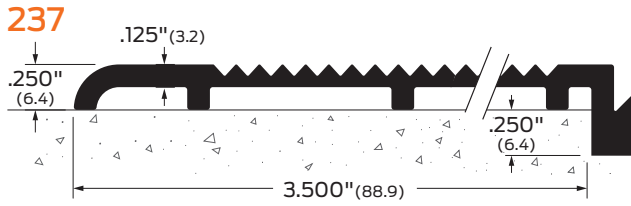
- A** Aluminum mill finish
- BK** Aluminum black anodized
- D** Aluminum dark bronze anodized
- G** Aluminum gold anodized
- B** Bronze, architectural mill finish
- B-ORB** Oil-rubbed bronze

Options:

- E** Epoxy abrasive tread
- EL** Photoluminescent and abrasive epoxy tread
- V3** Full body strength
- EV3** Epoxy and full body strength
- ELV3** Photoluminescent and abrasive epoxy tread, full body strength fill



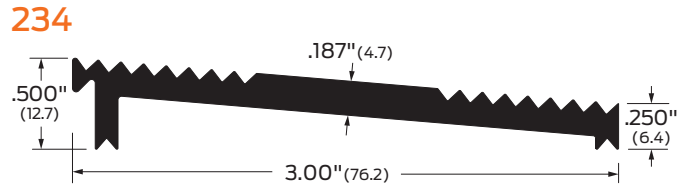
Thresholds Ramps



237

Finishes: A, BK, D, G
Options: E, EL
ANSI/BHMA: 237A, 237D, 237G, 237BK
237A-E, 237D-E, 237G-E, 237BK-E
J38100, J38160
J38200, J38230

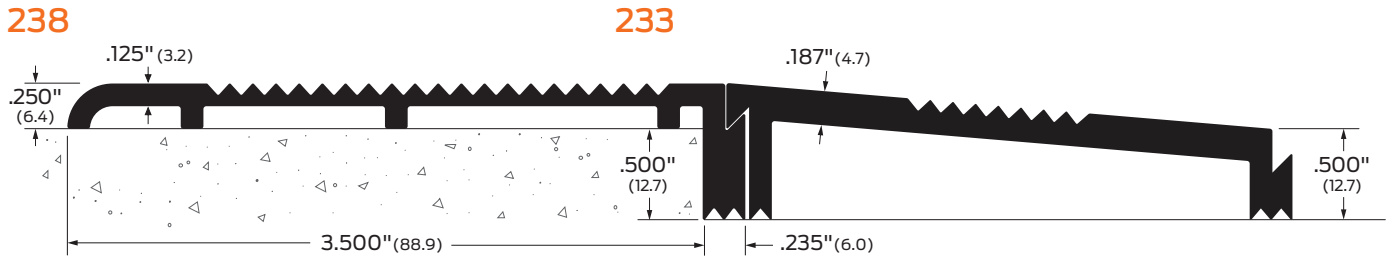
ADA compliant when installed flush with the flooring.
Supplied without mounting holes.



234

Finishes: A, BK, D, G
Options: E, EL
ANSI/BHMA: 234A, 234D, 234G, 234BK
234A-E, 234D-E, 234G-E, 234BK-E
J38100, J38160
J38200, J38230

Supplied without mounting holes.

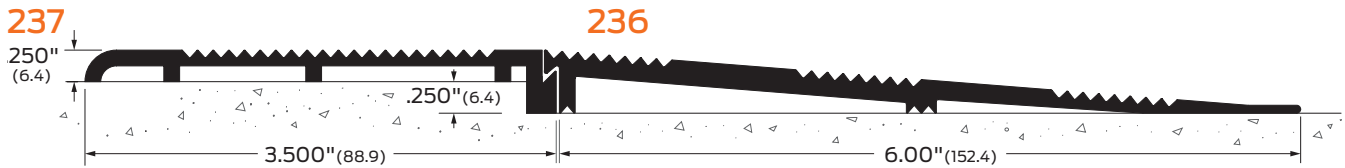


233

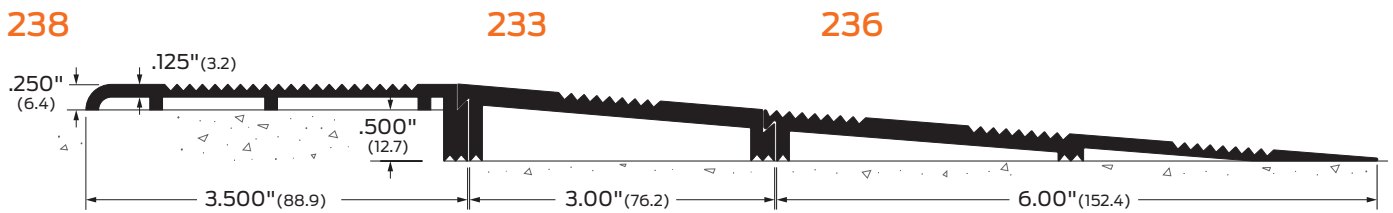
Finishes: A, BK, D, G
Options: E, EL
ANSI/BHMA: 238A, 238D, 238G, 238BK
238A-E, 238D-E, 238G-E, 238BK-E
J38100, J38160
J38100, J38260

Order components separately. Supplied without mounting holes.

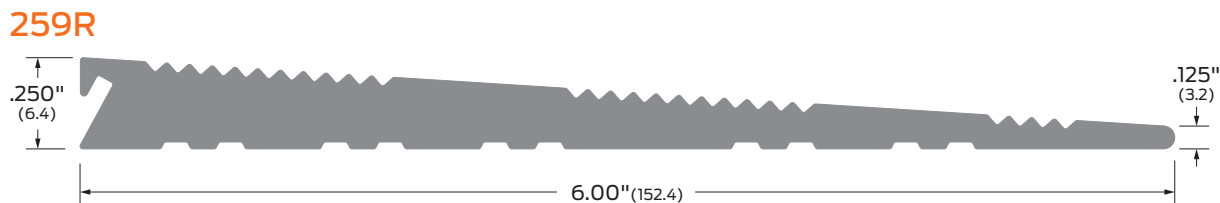
237, 234, 238, 233:



Order components separately. Full illustration not to scale



Order components separately. Full illustration not to scale



259R

Finishes: Black only.
No finish designation required

Supplied without mounting holes for custom drilling at installation. Can also be installed with adhesive.

See Thresholds Accessories & options page for details.

Finishes:

- A** Aluminum mill finish
- BK** Aluminum black anodized
- D** Aluminum dark bronze anodized
- G** Aluminum gold anodized
- B** Bronze, architectural mill finish
- B-ORB** Oil-rubbed bronze

Options:

- E** Epoxy abrasive tread
- EL** Photoluminescent and abrasive epoxy tread

Note:

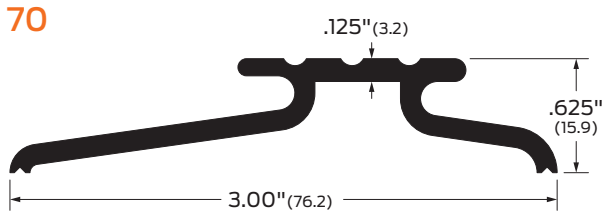
Special anchors available for mounting most thresholds on concrete surfaces.

Thresholds

Interlocking thresholds



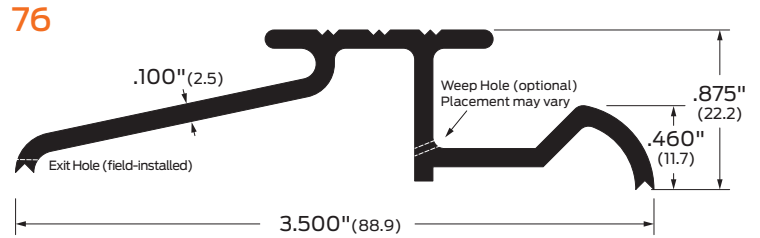
Automatic door bottoms



Finishes: B, B-ORB
Options: E, EL, V3, EV3, ELV3 (not available for ORB finish)

ANSI/BHMA: 70B J14170
 70B-E J14270

In-swing or out-swing

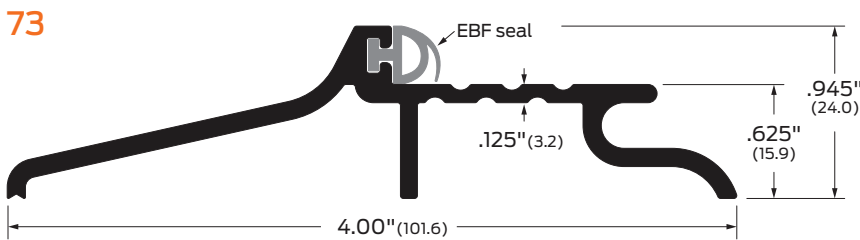


Finishes: B, B-ORB
Options: E, EL, V3, EV3, ELV3 (not available for ORB finish)

ANSI/BHMA: 76B J14170
 76B-E J14270

In-swing. Drain pan required underneath when used with weep holes.

Perimeter seals



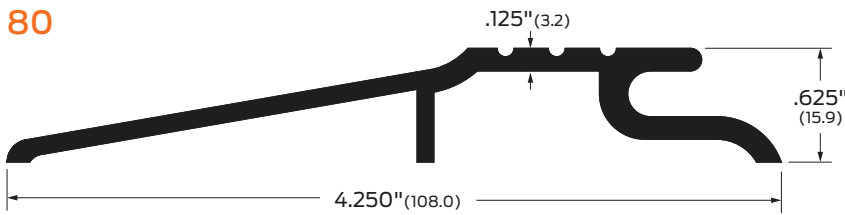
Finishes: A, BK, D, G
Options: E, EL, V3, ELV3

ANSI/BHMA: 73A, 73BK, 73D, 73G J34170
 73A-E, 73BK-E, 73D-E, 73G-E J34270

Out-swing

Weatherstripping

Intumescent

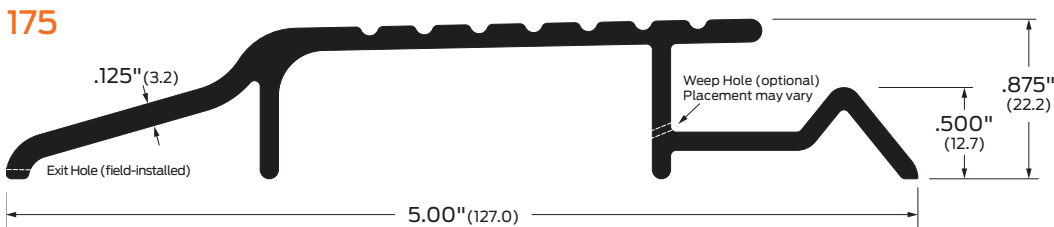


Finishes: B, B-ORB
Options: E, EL, V3, ELV3 (not available for ORB finish)

ANSI/BHMA: 80B J14170
 80B-E J14270

In-swing

Sound control



Finishes: A, BK, D, G, B, B-ORB
Options: E, EL, V3, ELV3 (not available for ORB finish)

ANSI/BHMA: 175A, 175D, 175G, 175BK J34170
 175A-E, 175D-E, 175G-E, 175BK-E J34270
 175B J14170
 175B-E J14270

In-swing. Drain pan required underneath when used with weep holes.

Specialty applications

Appendix

All items on this page:



See Thresholds Accessories & options page for details.

Finishes:

- A** Aluminum mill finish
- BK** Aluminum black anodized
- D** Aluminum dark bronze anodized
- G** Aluminum gold anodized
- B** Bronze, architectural mill finish
- B-ORB** Oil-rubbed bronze

Options:

- E** Epoxy abrasive tread
- EL** Photoluminescent and abrasive epoxy tread
- V3** Full body strength
- EV3** Epoxy and full body strength
- ELV3** Photoluminescent and abrasive epoxy tread, full body strength fill

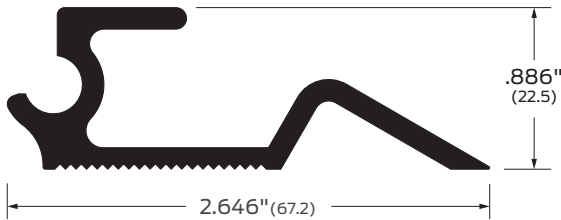
Note:

Special anchors available for mounting most thresholds on concrete surfaces.
 Interlocking Hooks and Angles page 12.



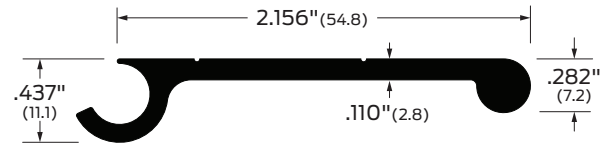
Adjustable interlocking bronze threshold systems

7000



Finishes:
B, B-ORB,
B-SAT, B-POL

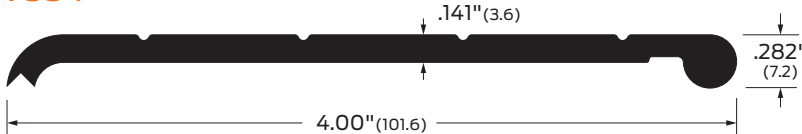
7332



Finishes:
B, B-ORB,
B-SAT, B-POL

Interlocking extension leg. Can be used once per assembly.

7334



Finishes:
B, B-ORB,
B-SAT, B-POL

7000, 7332, 7334:



Specialty interlocking bronze threshold systems

Suitable combinations of threshold components are shown below.

	Interlocking Threshold Section				Main Threshold Plate			Extension Plate for use with 7334B and 7335B			
	Width	Qty	Model #	Height	Part Width	Qty	Model #	Part Width	Qty	Model #	Part Width
Decorative Bronze Interlocking Thresholds	Standard										
	6.20"	1	7000	.886"	2.371"	1	7334	3.829"			
	7.20"	1	7000	.886"	2.371"	1	7335	4.829"			
	8.28	1	7000	.886"	2.371"	1	7337	3.829"	1	7332	2.080"
	9.28	1	7000	.886"	2.371"	1	7335	4.829"	1	7332	2.080"
	Therma Seal										
	6.90"	1	7338	.890"	3.069"	1	7334	3.829"			
	7.90"	1	7338	.890"	3.069"	1	7335	4.829"			
	8.98"	1	7338	.890"	3.069"	1	7334	3.829"	1	7332	2.080"
	9.98"	1	7338	.890"	3.069"	1	7335	4.829"	1	7332	2.080"

See Thresholds Accessories & options page for details.

Finishes:

- BK** Aluminum black anodized
- D** Aluminum dark bronze anodized
- G** Aluminum gold anodized
- B** Bronze, architectural mill finish
- B-ORB** Oil-rubbed bronze
- B-SAT** Heavy satin bronze
- B-POL** Bright buff polished bronze

Note:

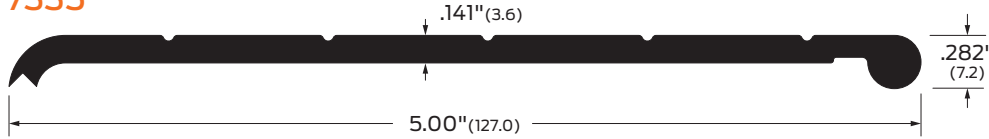
Special anchors available for mounting most thresholds on concrete surfaces.
SAT AND POL finishes are available for these systems for cost upgrade.
Interlocking Hooks and Angles page 6.

Thresholds

Adjustable interlocking bronze threshold systems

Automatic door bottoms

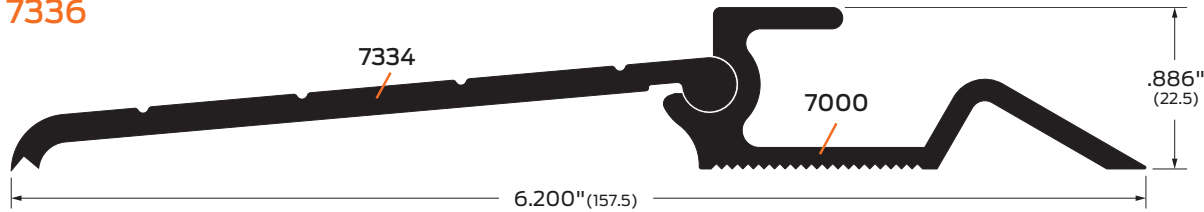
7335



Finishes:
B, B-ORB,
B-SAT, B-POL

Perimeter seals

7336

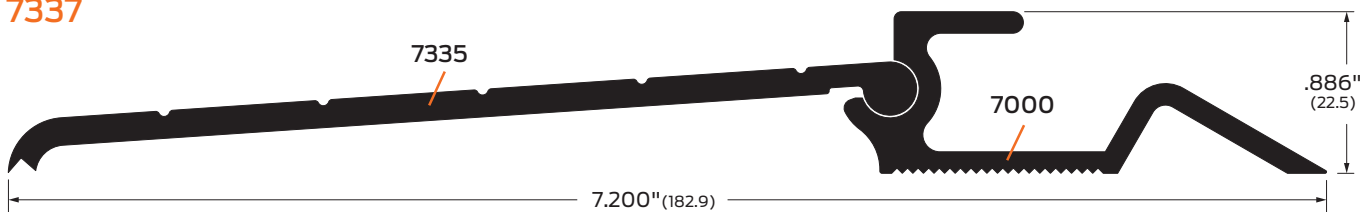


Finishes: B, B-ORB, B-SAT, B-POL
ANSI/BHMA: 7336 J14170

Weatherstripping

Intumescent

7337



Finishes: B, B-ORB, B-SAT, B-POL
ANSI/BHMA: 7337 J14170

Sound control

Specialty applications

All items on this page:



See Thresholds Accessories & options page for details.

Finishes:

- BK** Aluminum black anodized
- D** Aluminum dark bronze anodized
- G** Aluminum gold anodized
- B** Bronze, architectural mill finish
- B-ORB** Oil-rubbed bronze
- B-SAT** Heavy satin bronze
- B-POL** Bright buff polished bronze

Note:

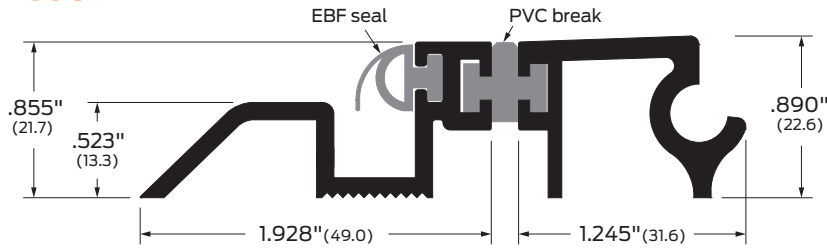
Special anchors available for mounting most thresholds on concrete surfaces.
SAT AND POL finishes are available for these systems for cost upgrade.

Appendix



Adjustable interlocking bronze threshold systems

7338

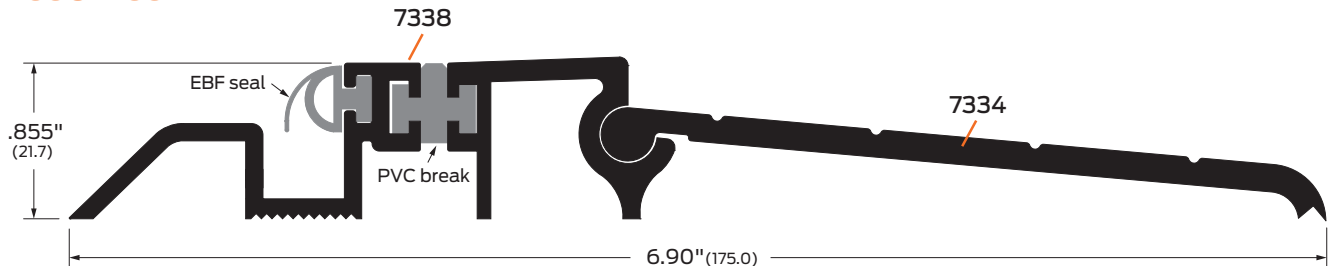


Finishes:
B, B-ORB,
B-SAT, B-POL



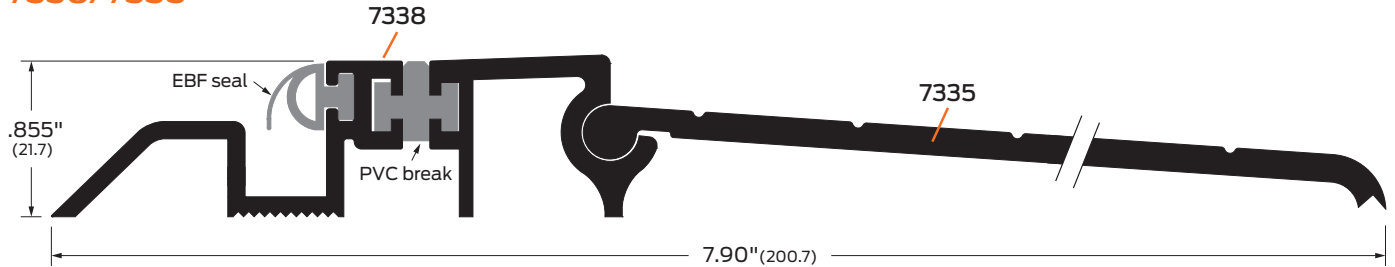
Thermal seal. Interlocking assembly for in-swinging door. Order as one unit.

7338/7334



In-swing. Interlocking assembly for in-swinging door. Order components separately.

7338/7335



In-swing. Interlocking assembly for in-swinging door. Order components separately.

See Thresholds Accessories & options page for details.

Finishes:

- B** Bronze, architectural mill finish
- B-ORB** Oil-rubbed bronze
- B-SAT** Heavy satin bronze
- B-POL** Bright buff polished bronze

Note:

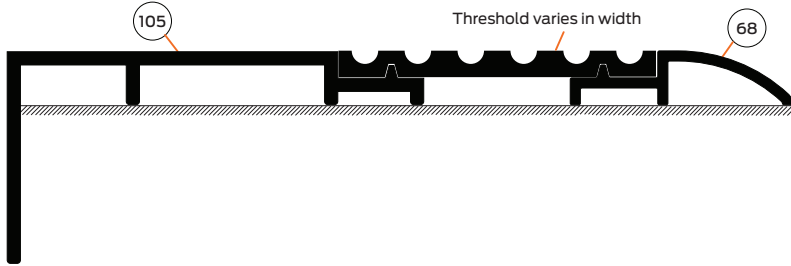
Special anchors available for mounting most thresholds on concrete surfaces.

Thresholds

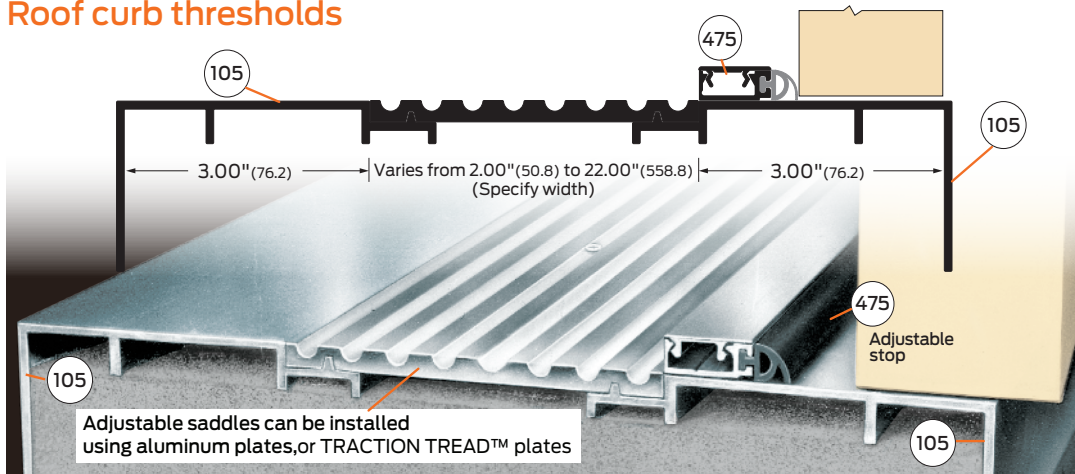
Specialized threshold solutions



Adjustable thresholds – bulkhead systems



Roof curb thresholds



Suitable for rooftop entryways, flood abatement thresholds, and other raised-concrete applications. Order components separately.

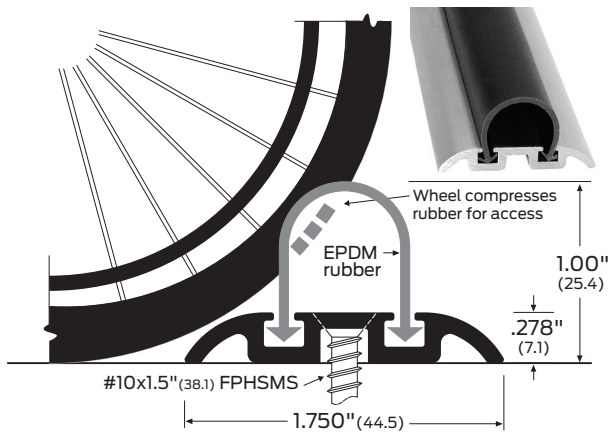
Configuration shown above provides a good low-profile solution. Consult with Technical Customer Care for other configurations and applications.

Note: When specifying this system for rooftop entryways, include at least an additional 1/4" in length to accommodate rooftop flashing. Order the next whole inch size greater.

Reminder: When measuring sill cover pieces, include extensions to the outside of the frame that might be needed for a close fit without gaps.

8452 Wheelchair accessible shower threshold

Designed for use when a shower must be accessible to a wheelchair. The rubber gasket keeps water in while allowing the wheel to pass over easily.



Finishes:
A, BK, D, G

See Thresholds Accessories & options page for details.

Finishes:

- A** Aluminum mill finish
- BK** Aluminum black anodized
- D** Aluminum dark bronze anodized
- G** Aluminum gold anodized

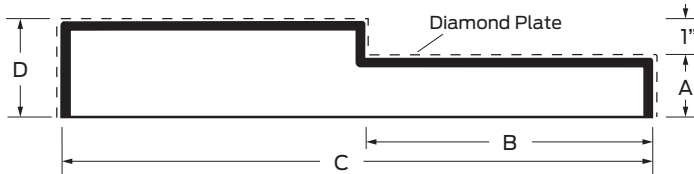
Note:

Special anchors available for mounting most thresholds on concrete surfaces.



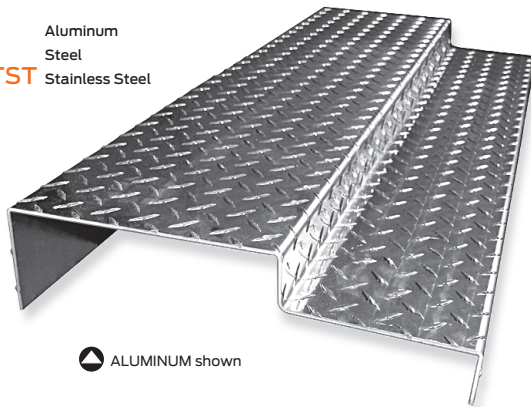
Specialized threshold solutions

Diamond-plate bulkhead thresholds



Custom Order
Specify dimensions
A, B, C, D

- 669 DP-A Aluminum
- 669 DP-S Steel
- 669 DP-STST Stainless Steel



ALUMINUM shown



STAINLESS STEEL shown

Available as Engineered Special. Order requires dimensions A, B, C, D.

Notes:

A dimension – minimum 1"

D dimension – must be at least 1" greater than A dimension

Aluminum cover plates

600CP Standard



- | | | |
|------------------|-----------------------------|-------------------------------|
| Finishes: | Options: | ANSI/BHMA: |
| A, BK, D, G | E, EL
BV (beveled edges) | 600CP J37300
600CPE J37400 |

601CP Standard



- | | | |
|------------------|-----------------------------|-------------------------------|
| Finishes: | Options: | ANSI/BHMA: |
| A, BK, D, G | E, EL
BV (beveled edges) | 601CP J37300
601CPE J37400 |

600CP Standard, 601CP Standard



For expansion joint covers or wherever extra width and strength are needed.

Available in widths 6" to 48" and lengths 36" to 120".

Consult your structural engineer to determine maximum width and length appropriate for your specific application.

- Manufactured from AL 5052 rolled aluminum.
- Square edges are standard. Beveled edges (length only) available on request at additional cost – beveled edges are one-half the thickness of the part at a 45 degree angle.
- Plates are not drilled unless specified.
- Custom drilling available at additional cost.
- Made to order and non-returnable. Orders cannot be canceled after order confirmation and acknowledgement.

See Thresholds Accessories & options page for details.

Finishes:

- A** Aluminum mill finish
- BK** Aluminum black anodized
- D** Aluminum dark bronze anodized
- G** Aluminum gold anodized

Options:

- E** Epoxy abrasive tread
- EL** Photoluminescent and abrasive epoxy tread
- BV** Beveled edges

Note:

Special anchors available for mounting most thresholds on concrete surfaces.

Thresholds

Specialized threshold solutions



Cover plate assemblies for floor-mounted automatic door closers

TYPE 1

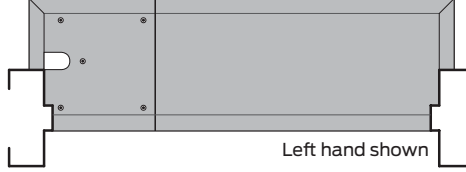
For doors hung in center of frame



Left hand shown

TYPE 3

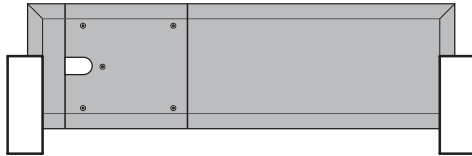
For use with all offset closers and pivot sets



Left hand shown

TYPE 4

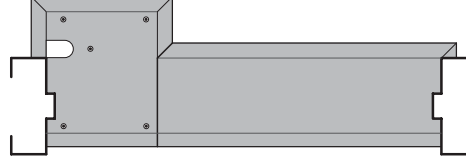
For doors hung flush with face of frame



Left hand shown

TYPE 5

For use with offset closers and pivot sets



Left hand shown

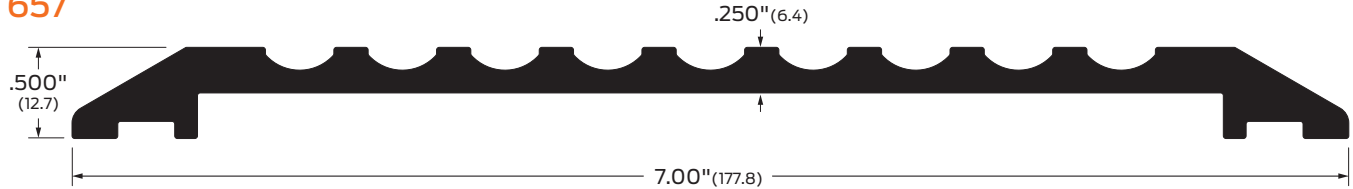


TYPE 3 shown

Because specified dimensions may vary, cover plate assemblies for floor closer thresholds require submittal of a template for Engineered Specials processing. When ordering, please specify handing.

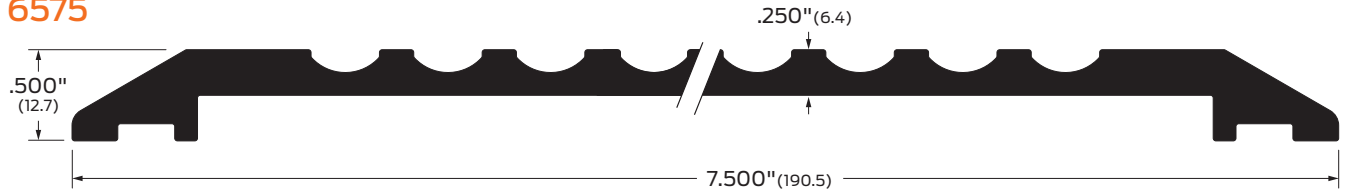
- Cover plates may be ordered for models 547 and 647. Because of the low, extended angle on the ramps on these ADA-compliant models, the control box of the cover plate assembly needs to be level with the floor to prevent interference with the support legs. Request milling the legs to provide sufficient clearance if needed.
- Additional models that can be used with cover plate assemblies are shown below.

657



Finishes:	Options:	ANSI/BHMA:	
A, BK, D, G	E, EL, V3, EV3, ELV3	657A, 675BK, 657D, 657G 657A-E, 675BK-E, 657D-E, 657G-E	J32100 J32200

6575



Finishes:	Options:	ANSI/BHMA:	
A, BK, D, G	E, EL, V3, EV3, ELV3	657A, 675BK, 657D, 657G 657A-E, 675BK-E, 657D-E, 657G-E	J32100 J32200

Note: Model 6570 (see Saddle Thresholds section) may also be suitable for this application (Type 1 only), depending on configuration with floor-mounted automatic door closers. Check that the bevel allows adequate clearance.

657, 6575:



See Thresholds Accessories & options page for details.

Finishes:

- A** Aluminum mill finish
- BK** Aluminum black anodized
- D** Aluminum dark bronze anodized
- G** Aluminum gold anodized

Options:

- E** Epoxy abrasive tread
- EL** Photoluminescent and abrasive epoxy tread
- V3** Full body strength
- EV3** Epoxy and full body strength
- ELV3** Photoluminescent and abrasive epoxy tread, full body strength fill

Note:

Special anchors available for mounting most thresholds on concrete surfaces.



Automatic door bottoms

Door sealing systems



Automatic door bottoms

Index

Contents

320 End cap	46
361 End cap	46
321 End cap.....	46
141 End cap	46
351 End cap.....	46
360 End cap.....	46
Automatic door bottom (ADB) screw packs.....	47
Replacement rubber seals.....	47
Brass spring actuator nut.....	47
Specialty exterior protection.....	47
Rain drip 141.....	47

Heavy duty

360.....	49
362.....	49
361.....	49
364.....	49
366.....	49
365.....	49
369.....	50
368.....	50
367.....	50

Regular duty

350.....	51
352.....	51
351.....	51
355.....	51
3551.....	51
3552.....	51

Light duty

320.....	52
323.....	52
321.....	52

Special purpose

364FS.....	53
365FS.....	53
7350.....	53

Automatic door bottoms Introduction

The Zero quality advantage

Zero's patented automatic door bottom technology ensures an efficient seal against the floor or saddle.

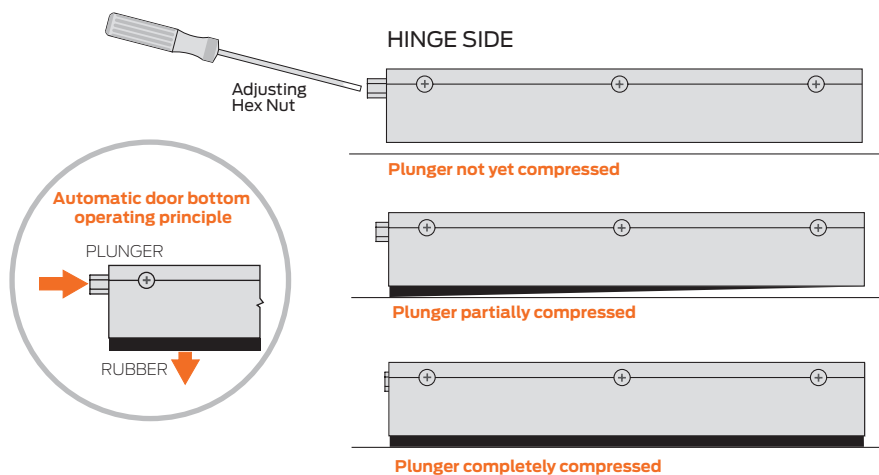
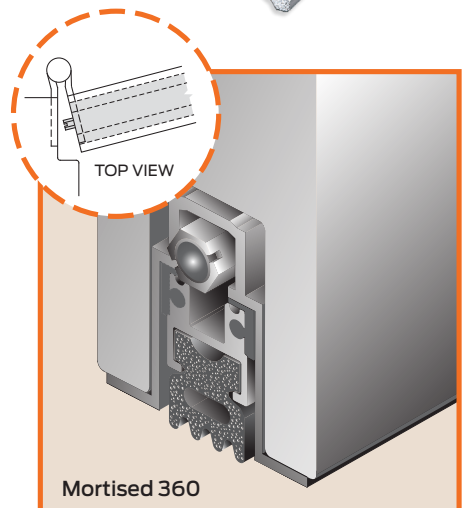
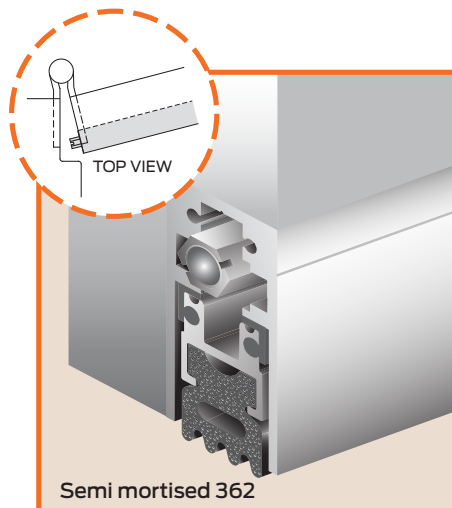
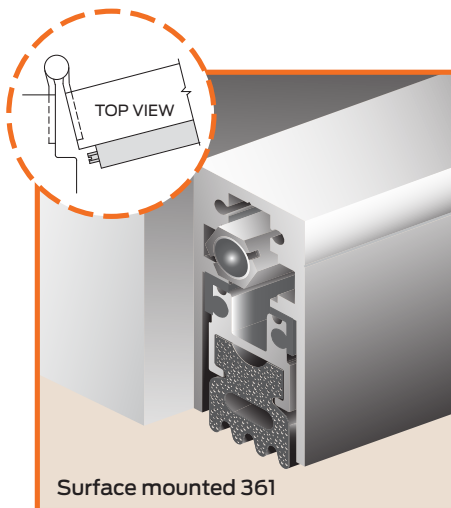
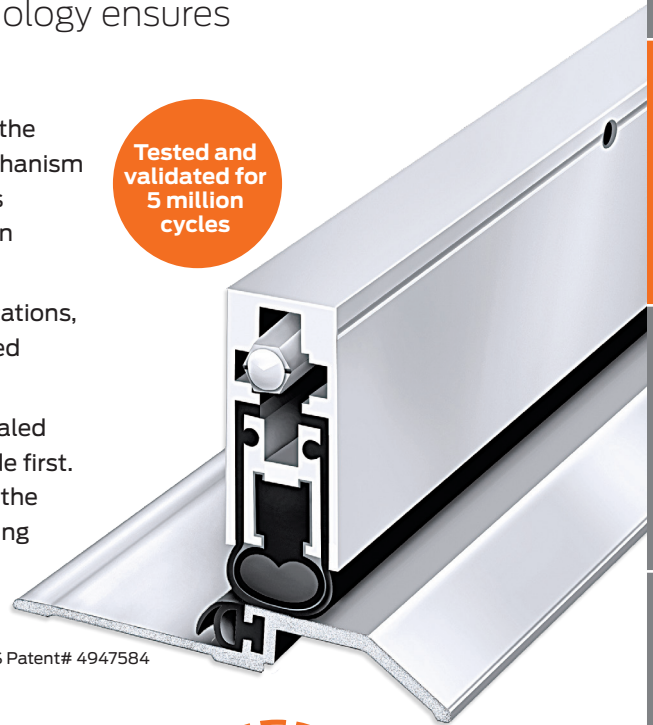
As the door is closed, the adjustable plunger is compressed against the door frame, activating a concealed flat spring mechanism. This mechanism drops the seal smoothly from the housing in a scissor-like motion as illustrated below. The door seal compresses on either even or uneven surfaces and retracts automatically when the door is opened.

Door bottoms are available in specialized versions for various applications, including: "light spring" (LS options). Zero door bottoms are designed to block penetration by air, sound, smoke and flames.

All Zero automatic door bottoms function the same way. The concealed spring mechanism causes the insert seal to activate on the hinge side first. It prevents the seal from dragging along the floor or threshold while the door is being closed. This allows the door to close properly, eliminating a closing delay.

Tested and validated for 5 million cycles

US Patent# 4947584



Automatic door bottoms

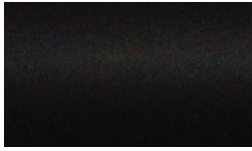
Accessories and options



Finishes



AA
Clear Anodized Aluminum
(628, US28AN)



BK
Black Anodized Aluminum
(711, US315AN)



D
Dark Bronze Anodized
Aluminum (710, US313AN)



G
Gold Anodized Aluminum
(688, US10AN)

Note: See individual model for finish options. Black, dark bronze and gold anodized aluminum finished products may require a longer lead time, please contact customer service for accurate lead times.

Options

- | | |
|---|----------------------------|
| LS Light spring | SEC Security screws |
| FLO Air flow/ sound block | LK Locking key 8361 |
| Z49 Easy access plate | NH No holes |
| PL Pull out (all Z49 come with pull out feature, unless otherwise specified) | |

Light spring (LS)

When specified, the “light spring” replaces the standard heavy-duty spring mechanism that drops the seal from the door bottom housing. This feature can be useful for reducing opening and closing force for use with ADA-compatible doors.

Zero 365LS ADB was tested for opening force in conjunction with Zero 475 Head and Jamb Gasketing on an ADA compatible door, results are shown below.

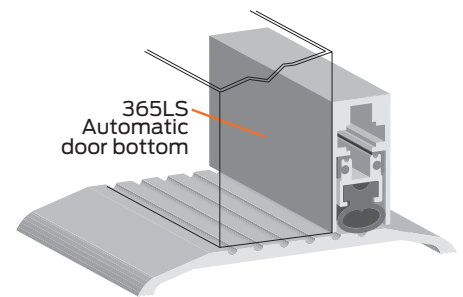
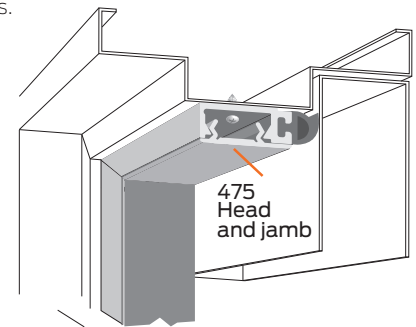
Test door: 36" X 84" x 1-3/4"

Test results:	Opening force (lbs.)	Closing force (lbs.)
Test 1 475 Head and Jamb	1.75	7.90
Test 2 475 Head and Jamb 365LS Automatic Door Bottom	1.90	9.05
Test 3 Closing force with no seals	-	6.75

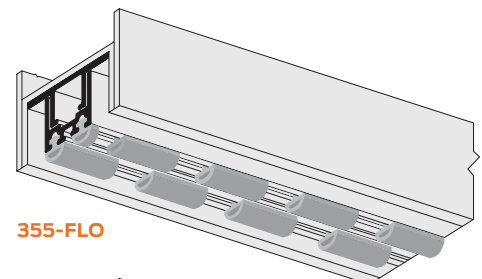
Air flow/sound block (FLO)

Available as an option for mortised automatic door bottom models 355 and 3552.

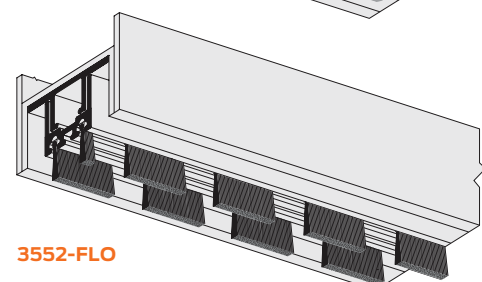
The FLO configuration is a practical solution for applications requiring air flow while blocking light and sound as much as possible. The design uses sound-dampening silicone seals or nylon brush which are notched and overlapped in staggered rows. This feature is commonly used for hotel doorways designed to exchange or allow air circulation between guest rooms and hallways.



475 and 365LS - 1.9 lbs opening force



355-FLO



3552-FLO

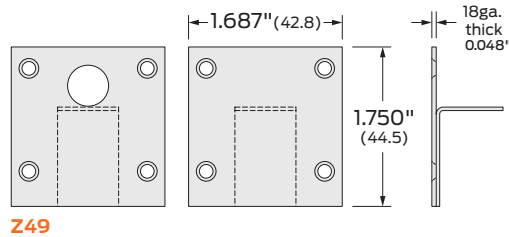


Accessories and options

Z49 End cap – Easy-access end caps for mortised door bottoms (Z49)

This option provides easy access end caps for cleaning the door bottom drop mechanism. It is well suited for applications in healthcare and other facilities subject to higher standards and routine inspections for cleanliness. Z49 comes standard with (PL) Pull-out feature unless otherwise specified.

Available finishes: Powder coat USP-600



Z49



Concealed door bottom

Pull-out option (PL)

Allows for easy removal of the inner seal assembly without removing the entire ADB or the door. This option is recommended for applications where the seal may need replaced or cleaned frequently.

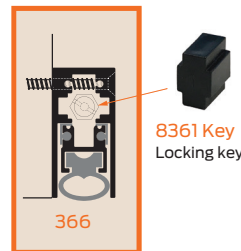
Note: Not available in lengths less than 26" for models 367, 368 and 369. All other models available in lengths 23" and up. Comes standard on Z49 end cap.

Security screws (SEC)

Tamper-resistant Torx security screws. Prevents unauthorized removal in hospitals, schools and public places.

Locking key 8361 (LK)

Locking key prevents the brass nut from rotating. Comes in black plastic finish. Fits over adjusting nut. Not for use with an end cap. For models: 351, 352, 361, 362, 365, 366, 367, 368.



Automatic door bottoms

Accessories and options



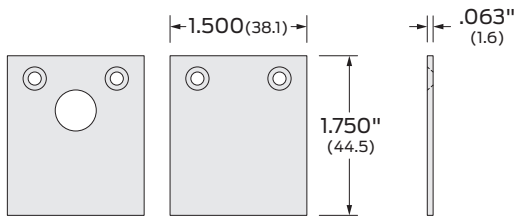
End caps

Anodized aluminum plate .063" thick.

All available in AA, Clear Anodized Aluminum finish, some available in D-Dark Bronze powder coat finish.

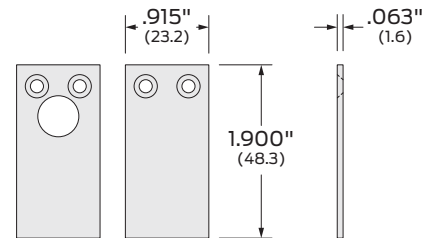
Supplied standard as noted for each endcap model.

320 End cap



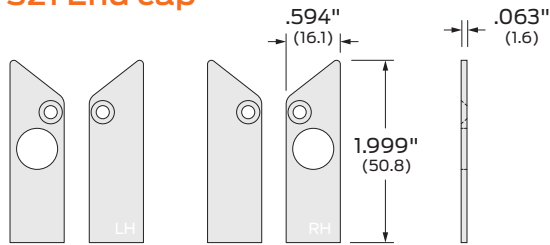
Endcap for 320 and 323 door bottoms

361 End cap



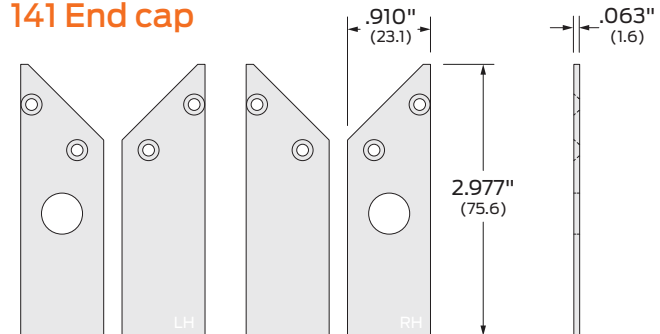
Endcap for 361, 362, 365, 366, 367, 368 door bottoms

321 End cap



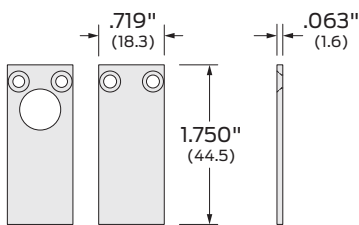
Endcap for 321 door bottoms

141 End cap



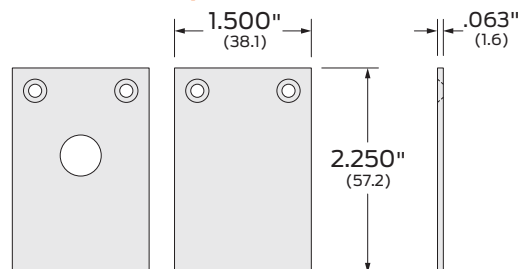
Endcap for 362, 366, 368 with 141 rain drip

351 End cap



Endcap for 351, 352 door bottoms

360 End cap



Endcap for 350, 360, 364, 369, 7350 door bottoms

Endcap kits for automatic door bottoms (ADBs)

End caps and screws are provided in standard kits supplied with the ADB models noted below.

Use these part numbers for ordering additional or replacement kits.

Models	Part number	ADB finish	Details
360, 364, 369 with Z49 option	47252145	AA	2 endcaps and 8 screws
321	47253671	AA	4 endcaps and 2 screws for both handings
321	47253671-695	BK, D, G	4 endcaps and 2 screws for both handings
320, 323	47251270	AA	2 endcaps and 4 screws
350, 360, 364, 369, 7350	47251371	AA	2 endcaps and 4 screws
351, 352	47251332	AA	2 endcaps and 4 screws
351, 352	47251332-695	BK, D, G	2 endcaps and 4 screws
361, 362, 365, 366, 367, 368	47251383	AA	2 endcaps and 4 screws
361, 362, 365, 366, 367, 368	47251383-695	BK, D, G	2 endcaps and 4 screws
362, 366, 368 with 141 rain drip end cap	47253705	AA	2 endcaps and 4 screws



Automatic door bottom (ADB) screw packs

Automatic door bottoms are supplied with the appropriate screws and quantities needed for installation based on order length. Use the part numbers below for ordering additional screws.

Models	Category	Part number	ADB Finish	Details
320, 323, 350, 355, 360, 364, 369, 3551, 3552, 7350 Up to 108"	ADB	47253854	AA	22 Screws #6 x 3/4" PPHSDS* ZP
321, 351, 361, 365, 367 up to 108"	ADB	47253868-00	AA	11 Screws #8 X 1-1/2" Truss PHSMS ZP
321, 351, 361, 365, 367 up to 108"	ADB	47253868-34	G	11 Screws #8 X 1-1/2" Truss PHSMS Gold ZP
321, 351, 361, 365, 367 up to 108"	ADB	47253868-695	D, BK	11 Screws #8 X 1-1/2" Truss PHSMS Black ZP
352, 362, 366, 368, up to 108"	ADB	47253866-00	AA	11 Screws #8 X 1-1/2" FPHSMS** ZP
352, 362, 366, 368 up to 108"	ADB	47253866-34	G	11 Screws #8 X 1-1/2" FPHSMS** - Gold ZP
352, 362, 366, 368 up to 108"	ADB	47253866-695	D, BK	11 Screws #8 X 1-1/2" FPHSMS** - Black ZP
352, 362, 366, 368	ADB	47259741	AA	11 Screws #8 X 1-1/2" Flat security Torx SMS
352, 362, 366, 368	ADB	47259741-480	D, BK	11 Screws #8 X 1-1/2" Flat security Torx SMS, Black ZP
352, 362, 366, 368	ADB	47259741-633	G	11 Screws #8 X 1-1/2" Flat security Torx SMS, BRS Plate
321, 351, 361, 365, 367	ADB	47259744	AA	11 Screws #8 X 1-1/2" Button security Torx SMS, Clear ZP
321, 351, 361, 365, 367	ADB	47259744-480	D, BK	11 Screws #8 X 1-1/2" Button security Torx SMS, Black ZP
321, 351, 361, 365, 367	ADB	47259744-633	G	11 Screws #8 X 1-1/2" Button security Torx SMS, BRS plate

* PPHSDS: Phillips Pan Head Self-drilling Screw
 ** FPHSMS: Flathead Philips Sheet Metal Screw

Replacement rubber seals

Replacement seals are available for ADB models containing rubber components. Ordering information is provided in the appendix. If you are viewing an interim version of this catalog, please contact Customer Support for replacement rubber.

Brass spring actuator nut

50 mm 47255867

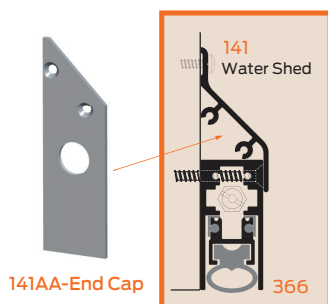
32mm brass actuator nut comes standard. If a longer brass actuator nut is needed, the 50mm extends the length of the door bottom actuator rod to compensate for variation in door gaps or other installed conditions.



Specialty exterior protection

Perimeter watersheds can be useful for impeding water ingress at door bottoms. To order, please refer to How-to-Order instructions in the Perimeter Seals section. If you are using an interim Automatic Door Bottom catalog that does not include perimeter seals, please call Allegion Technical Support for ordering assistance at: 877-671-7011, option 2 for technical services.

Rain drip 141



Finishes:
AA, BK, D, G

ANSI/BHMA:
141AA, 141BK, 141D, 141G R3Y936

For 362, 366, 368 surface-mounted applications (with flat head screws).

Automatic door bottoms order guide



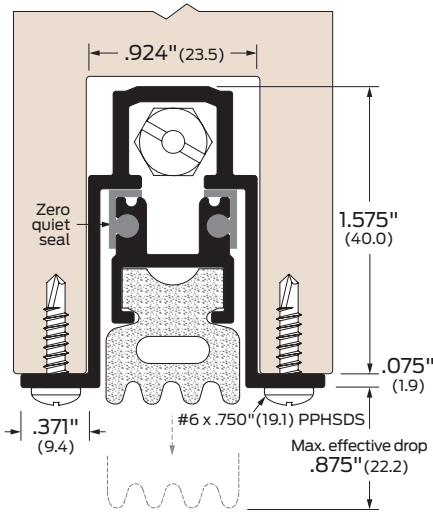
How to order

Model	Finish	Options	Length	Metric	End Cap
360	AA	LS	36		Z49
Models					
Example					
320*					
321					
323					
350*					
351					
352					
355*					
360*					
361					
364*					
364FS					
365					
365FS					
367					
368					
369*					
3551*					
3552*					
7350					
*Models: 320, 350, 355, 360, 364 and 369, available in AA finish only. End caps not included with 355, 3551, and 3552.					
Finishes					
AA - Aluminum Clear Anodized (US28)					
BK - Black Anodized (315AN)					
D - Aluminum Dark Bronze Anodized (313AN)					
G - Aluminum Gold Anodized					
Options					
Blank - no options					
LS - Light spring (not available on models: 355, 364FS, 365FS, 366FS, 367, 368, 369, 3551, 3552)					
FLO - Air Flow configuration (available on 355 and 3552 only)					
Z49 - Easy access plate					
PL - Pull out option					
SEC - #8 X 1-1/2" Flat security Torx SMS (available on 352, 362, 366, and 368), #8 x 1-1/2" Button SEC Torx SMS (available on 321, 351, 361, 365, 367)					
LK - Locking key 8361					
Length					
Use decimal to nearest 1/8" increment. Sizes under 18" trimming may be limited.					
Metric					
Blank = US Standard					
MM = Metric in millimeters (rounded to the nearest 1/8")					
End cap					
Blank = Std. End Caps Included					
Z49 = End cap for models only: (360, 364, 364FS, 369)					



Automatic door bottoms Heavy duty

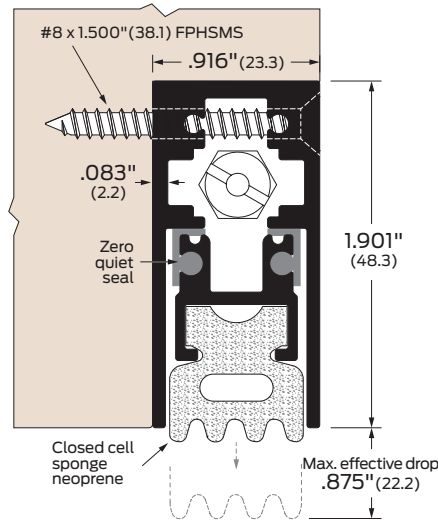
360



Finish: AA
Options: LS, Z49, End Cap, PL
ANSI/BHMA: 360AA R3C3241

Mortised. Supplied with closed cell sponge neoprene. Note: Consult your local AHJ for maximum allowable door undercut.

362

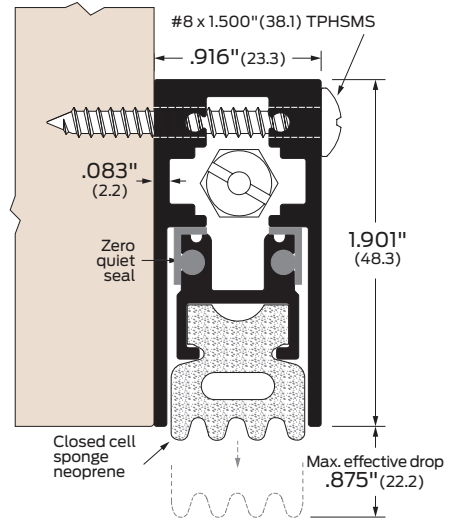


Finishes: AA, BK, D, G
Options: LS, PL, SEC, LK
ANSI/BHMA: 362AA, 362BK, 362D, 362G R3B3441

Semi-mortised applications. Supplied with closed cell sponge neoprene. Note: Consult your local AHJ for maximum allowable door undercut.

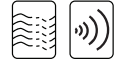


361

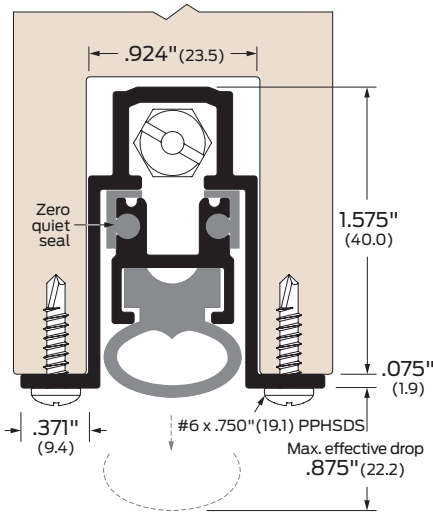


Finishes: AA, BK, D, G
Options: LS, PL, LK, SEC
ANSI/BHMA: 361AA, 361BK, 361D, 361G R3C3341

Surface-mounted applications. Supplied with closed cell sponge neoprene.



364

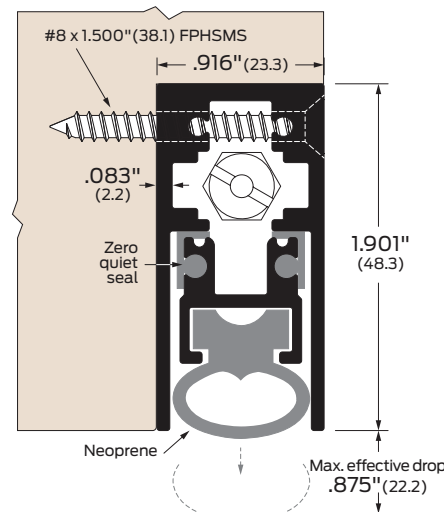


Finish: AA
Options: LS, Z49, End Cap, PL
ANSI/BHMA: 364AA R3B3241

Mortised. Supplied with solid neoprene extrusion. Note: consult your local AHJ for maximum allowable door undercut.



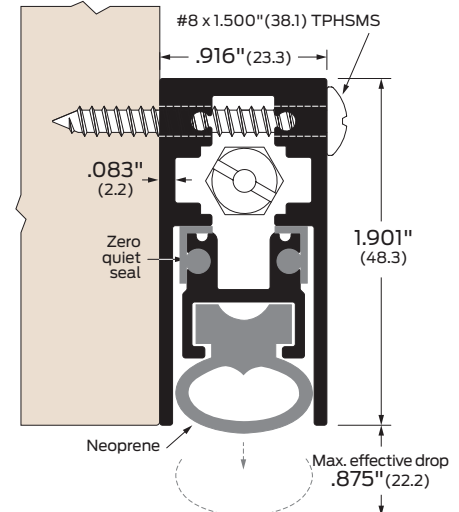
366



Finishes: AA, BK, D, G
Options: LS, PL, SEC, LK
ANSI/BHMA: 366AA, 366BK, 366D, 366G R3B3441

Semi-mortised applications. Supplied with solid neoprene extrusion. Note: Consult your local AHJ for maximum allowable door undercut.

365



Finishes: AA, BK, D, G
Options: LS, PL, SEC, LK
ANSI/BHMA: 365AA, 365BK, 365D, 365G R3B3341

Surface-mounted applications. Supplied with solid neoprene extrusion.



All items on this page:



See ADB Accessories & options page for details.

Finishes:

AA Aluminum clear anodized
BK Aluminum black anodized
D Aluminum dark bronze anodized
G Aluminum gold anodized

Options:

LS Light spring
Z49 Removable end cap
PL Pull out
SEC Torx security screws
LK Locking key

Note:

Maximum order length is 60" unless noted otherwise.

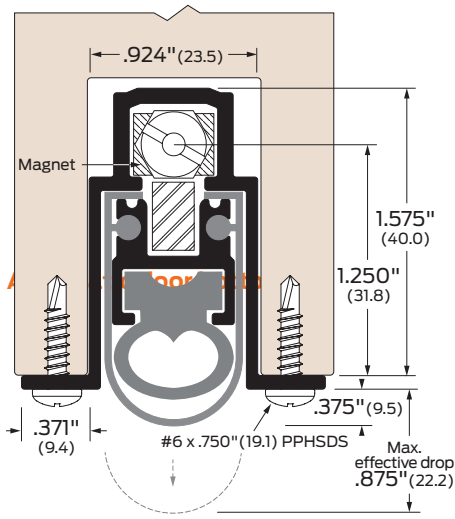
Lengths 10" - 18" available only with light spring drop mechanism. Not recommended for maximum drop greater than .500".

Except where noted, all models on this page are shipped in standard LH/RHR configuration with locking screw concealed (facing the door). Handing is reversible.

Automatic door bottoms
Heavy duty



369

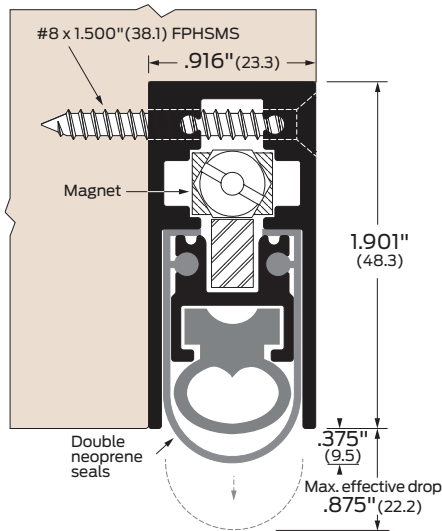


Finish: AA
Options: Z49 End Cap, PL
ANSI/BHMA: 369AA R3B3241

Mortised. Supplied with double solid neoprene seal. Magnet feature only on ADBs 24" and over. Note: Consult your local AHJ for maximum allowable door undercut.



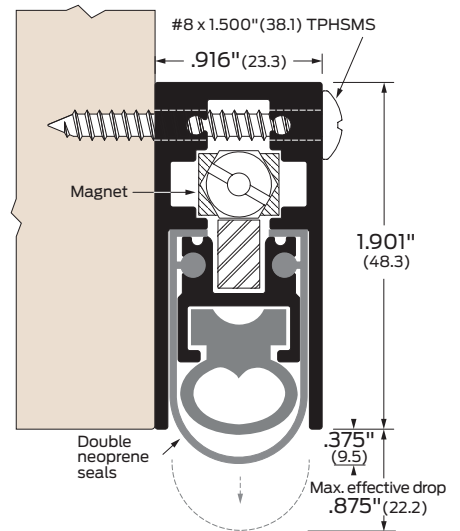
368



Finishes: AA, BK, D, G
Options: PL, SEC, LK
ANSI/BHMA: 368AA, 368BK, 368D, 368G R3B3441

Semi-mortised applications. Supplied with solid neoprene extrusion. Magnet feature only on ADBs 24" and over. Note: Consult your local AHJ for maximum allowable door undercut.

367



Finishes: AA, BK, D, G
Options: SEC, PL, LK
ANSI/BHMA: 367AA, 367BK, 367D, 367G R3B3341

Surface-mounted. Supplied with double solid neoprene seal. Magnet feature only on ADBs 24" and over.



All items on this page:



See ADB Accessories & options page for details.

Finishes:

- AA** Aluminum clear anodized
- BK** Aluminum black anodized
- D** Aluminum dark bronze anodized
- G** Aluminum gold anodized

Options:

- LS** Light spring
- Z49** Removable end cap
- PL** Pull out
- SEC** Torx security screws
- LK** Locking key

Note:

Maximum order length is 60" unless noted otherwise.
Lengths 10" - 18" available only with light spring drop mechanism. Not recommended for maximum drop greater than .500".
Except where noted, all models on this page are shipped in standard LH/RHR configuration with locking screw concealed (facing the door). Handing is reversible.



Automatic door bottoms Regular duty

Thresholds

Automatic door
bottoms

Perimeter seals

Weatherstripping

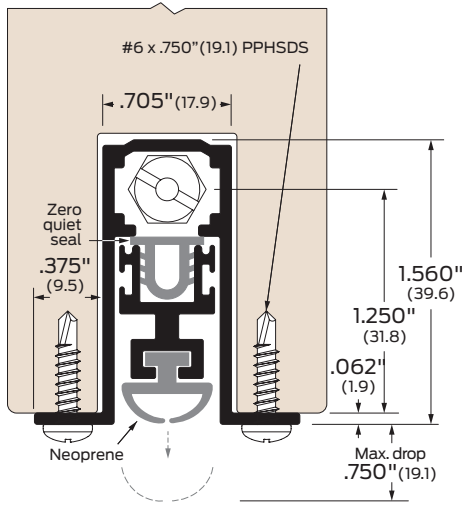
Intumescent

Sound control

Specialty
applications

Appendix

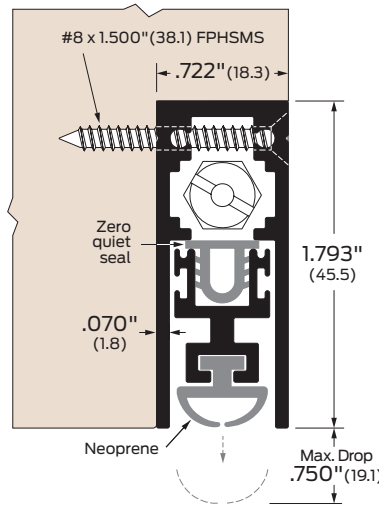
350



Finish: AA Options: LS, PL ANSI/BHMA: 350AA R3B3241

Mortised. Supplied with solid neoprene extrusion. Lengths 60-96" available as engineering specials.

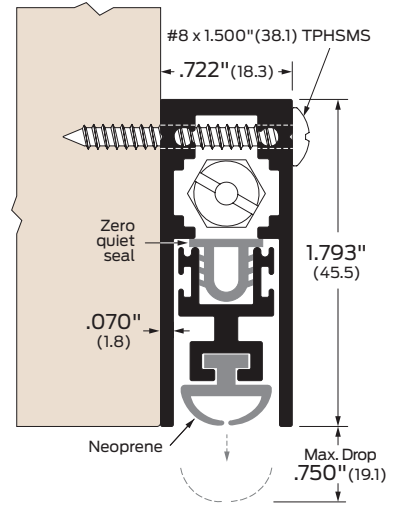
352



Finishes: AA, BK, D, G Options: LS, PL, SEC, LK ANSI/BHMA: 352AA, 352BK, 352D, 352G R3B3441

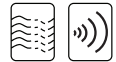
Semi-mortised. Supplied with solid neoprene extrusion. Lengths 60-96" available as engineering specials.

351

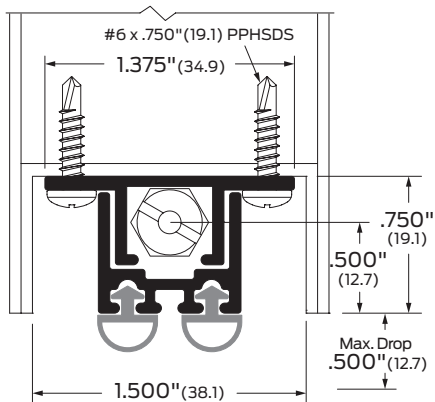


Finishes: AA, BK, D, G Options: LS, SEC, PL, LK ANSI/BHMA: 351AA, 351BK, 351D, 351G R3B3341

Surface-mounted. Supplied with solid neoprene extrusion. Lengths 60-96" available as engineering specials.



355

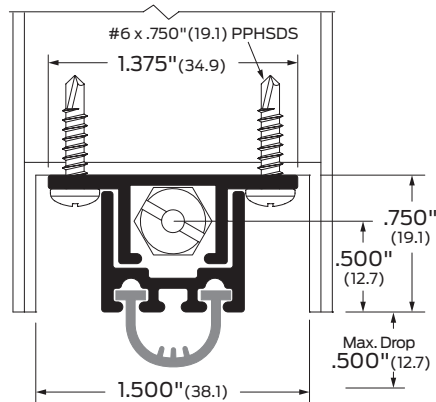


Finish: AA Option: FLO ANSI/BHMA: 355A R3E3241

For use with hollow metal doors. Mortised. Supplied without end caps.



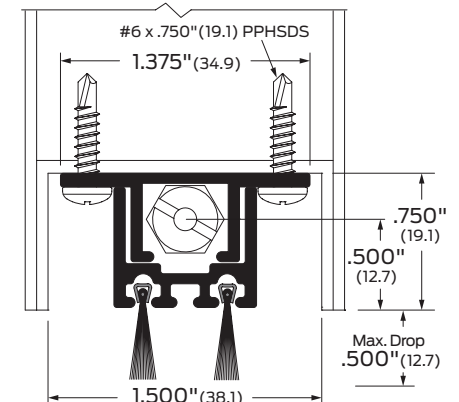
3551



Finish: AA ANSI/BHMA: 3551AA R3B3241

For use with hollow metal doors. Mortised. Supplied without end caps.

3552



Finishes: AA Option: FLO ANSI/BHMA: 3552AA R3B3261

For use with hollow metal doors. Mortised. Supplied without end caps.

All items on this page:



See ADB Accessories & options page for details.

Finishes:

AA Aluminum clear anodized
BK Aluminum black anodized
D Aluminum dark bronze anodized
G Aluminum gold anodized

Options:

LS Light spring
FLO Air flow / sound block
PL Pull out
SEC Torx security screws
LK Locking key

Note:

Maximum order length is 60" unless noted otherwise.

Lengths 10" - 18" available only with light spring drop mechanism. Not recommended for maximum drop greater than .500".

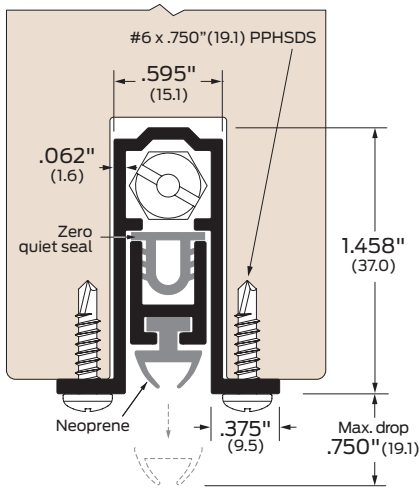
Except where noted, all models on this page are shipped in standard LH/RHR configuration with locking screw concealed (facing the door). Handing is reversible.

Automatic door bottoms

Light duty



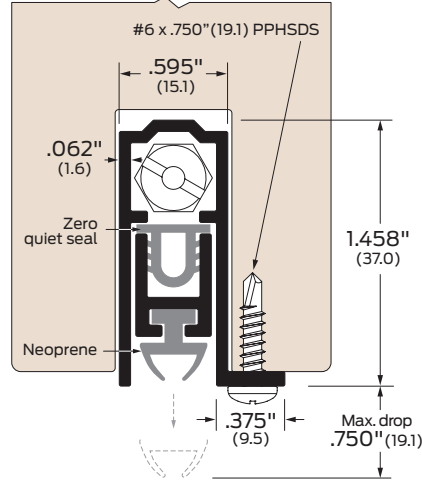
320



Finish: AA
Options: LS, PL
ANSI/BHMA: 320AA R3B3241

Mortised. Lengths 60-96" available as engineering specials.

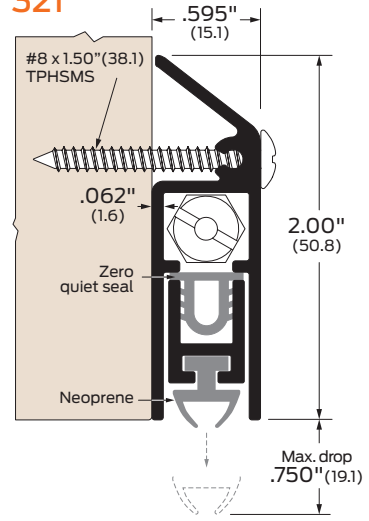
323



Finish: AA
Options: LS, PL
ANSI/BHMA: 323A R3B3241

Mortised. Supplied with two handing holes that allow changing handing without changing mounting orientation. Lengths 60-96" available as engineering specials.

321



Finishes: AA, BK, D, G
Options: LS, PL, SEC
ANSI/BHMA: 321AA, 321BK, 321D, 321G R3B3341

Surface-mounted. Supplied with two handing holes that allow changing handing without changing mounting orientation. Lengths 60-96" available as engineering specials.

All items on this page:

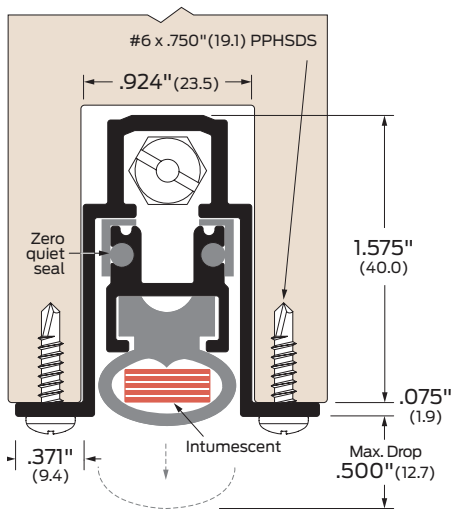


See ADB Accessories & options page for details.

Finishes:	Options:	Note:
AA Aluminum clear anodized	LS Light spring	Maximum order length is 60" unless noted otherwise.
BK Aluminum black anodized	PL Pull out	Lengths 10" - 18" available only with light spring drop mechanism.
D Aluminum dark bronze anodized	SEC Torx security screws	Not recommended for maximum drop greater than .500".
G Aluminum gold anodized		Except where noted, all models on this page are shipped in standard LH/RHR configuration with locking screw concealed (facing the door). Handing is reversible.



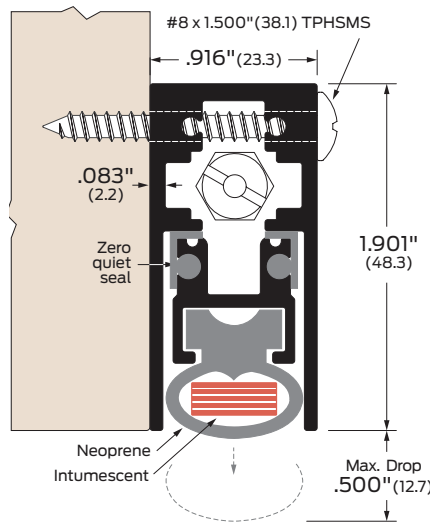
Intumescent automatic door bottoms 364FS



Finish: AA
Options: Z49, PL
ANSI/BHMA: 364FSAA R3B3241

Mortised. Intumescent fire protection.

365FS



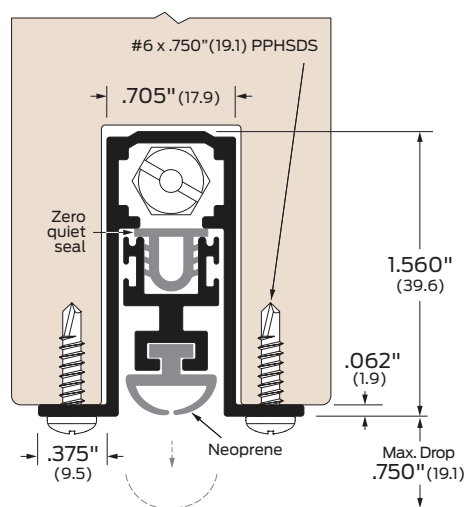
Finishes: AA, BK, D, G
Options: LK, PL, SEC
ANSI/BHMA: 365FS-AA, 365FS-BK, 365FS-D, 355FSG R3B3341

Surface-mounted application. Intumescent fire protection.

364FS & 365FS:



Sliding door automatic door bottom 7350



Finish: AA
Options: LS, PL, NH

Mortised, for latching pocket/sliding doors.

Note: This automatic door bottom functions differently from other ZERO door bottoms. When the plunger is compressed, the mechanism causes the insert seal to activate and drop evenly along the door bottom. Maximum length of 48".

See ADB Accessories & options page for details.

Finishes:

- AA** Aluminum clear anodized
- BK** Aluminum black anodized
- D** Aluminum dark bronze anodized
- G** Aluminum gold anodized

Options:

- LS** Light spring
- Z49** Removable end cap
- PL** Pull out
- SEC** Torx security screws

Note:

Maximum order length is 60" unless noted otherwise.
Lengths 10" - 18" available only with light spring drop mechanism.
Not recommended for maximum drop greater than .500".
Except where noted, all models on this page are shipped in standard LH/RHR configuration with locking screw concealed (facing the door). Handing is reversible.

Notes





Perimeter seals

Door sealing systems



Perimeter seals

Index



Accessories and options

Finishes.....	58
Specialized perimeter seal accessories.....	60

Door sweeps

39.....	62
339.....	62
539.....	62
39W.....	62
339W.....	62
328.....	62
50M.....	63
477.....	63
8191.....	63
329.....	63
8197.....	63
571.....	63
871.....	64
255.....	64
8192.....	64
98.....	64
96.....	64
8194.....	65
8193.....	65
8198.....	65
639W.....	65
95.....	65
93.....	65

Door shoes

111.....	66
153.....	66
253.....	66
110.....	66
154.....	66
254.....	66
452.....	66
72.....	66
52.....	66
8151.....	67
8049R.....	67
3544.....	67
53.....	67
511.....	67
8149.....	67
381.....	67
3546.....	67

Intumescent door sweeps and shoes

339FS.....	68
39FSA.....	68
521FS.....	68
59FS.....	68
253FS.....	68
111FS.....	68

Adjustable sealing systems – jamb-applied

770.....	69
770FS.....	69
170.....	69
7770.....	70
770SP / 770STST.....	70
712.....	70
870.....	70
871.....	70
873.....	70

Head and jamb gasketing

3708.....	71
3709.....	71
470.....	71
472.....	71
270.....	71
272.....	71
485.....	72
475.....	72
478.....	72
570.....	72
370.....	72
375.....	72
139.....	73
312.....	73
314.....	73
140.....	73
318.....	73
322.....	73
50.....	74
1370.....	74
376.....	74

5831FS.....	74
5832FS.....	74
58FS.....	74
98.....	74
99.....	74
100.....	74
31.....	75
5831.....	75
32.....	75
5832.....	75
33.....	75
5833.....	75
326.....	76
328.....	76
429.....	76
8305.....	76
302FS.....	76
328FS.....	76
8193.....	77
8879.....	77
8302.....	77
8877.....	77
8303.....	77
8878.....	77

Meeting stiles

Adjustable surface-mounted meeting stiles for beveled doors

55/155.....	78
55/555.....	78
55FS/555FS.....	78
871.....	78
873.....	78

Adjustable mortised meeting stiles for bull-nosed doors

56/557.....	79
56/156.....	79
56FS/557FS.....	79
3056FS/3557FS.....	79

Surface-mounted meeting stiles for beveled doors, both doors active

8192.....	80
8193.....	80
8194.....	80
8879.....	80
8195.....	80
98.....	80
99.....	81
100.....	81
326.....	81
328.....	81
370.....	81
375.....	81

Mortised meeting stiles for bull-nosed doors, both doors active

34/38.....	82
35/38.....	82
36/38.....	82
53.....	82
398V.....	82
399V.....	82
59FS.....	83
159FS.....	83
8217S.....	83
381.....	83

Astragals – One door active or coordinating doors

905.....	84
44.....	84
47.....	84
383.....	84
383FS.....	84
43.....	84
1840/41.....	85
40/41.....	85
1840.....	85
40.....	85
41.....	85
139.....	86
140.....	86
322.....	86
339.....	86

Specialized solutions

Door closer mounting brackets

328SPB.....	87
870SPB.....	87
770SPB.....	87

Perimeter seals Introduction

Optimal choice and performance

Zero door gaskets for protecting head, jamb, sill, and meeting stiles are engineered for reliable performance in demanding environments. Constructed from top-quality materials, they are built to last. We offer an unequalled range of capabilities, features, aesthetic options and specialized solutions.

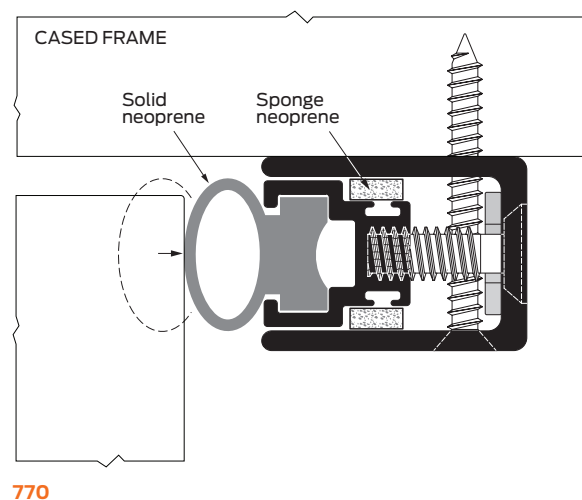
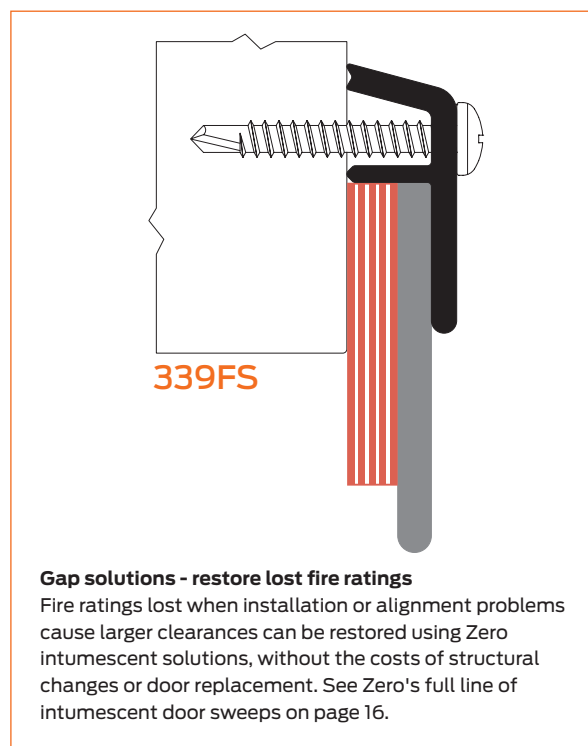
When you need the best seal to satisfy codes, or field conditions are less than perfect, our mechanically fastened gasketing provides many choices:

- Solid or closed cell sponge neoprene, silicone, EPDM rubber, nylon brush, and pile.
- Sealing reinforcement using double seals, magnetic door seals, or spring-loaded mechanisms.
- Snap-on covers for aesthetics, as well as protecting mounting screws from abuse.
- ZAG ligature resistant option available on select head and jamb gaskets to prevent removal for self-harm or other inappropriate uses.
- EBF double sealing system available on selected gasketing (as well as thresholds), our extruded bulb/finger ensures an airtight seal even when doors are misaligned because of poor installation, or slightly warped.
- Adjustable features to compensate for door alignment problems at installation or in service.

Adjustable sealing systems

Field conditions at installation are rarely perfect in the real world, alignment problems can cause gaps that diminish the performance of even the best-designed gasketing. Even with successful installations, similar problems can surface later on as doors cycle through changes in temperature and humidity.

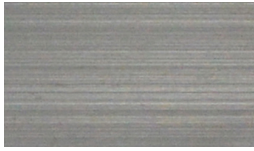
Zero engineering provides field-proven solutions. Whenever gaps in door seals occur, it can be difficult to make needed adjustments using conventional gasketing. Zero's adjustable gasketing solves those problems with ease. Just a few turns of a screwdriver is all it takes to tighten adjusting screws along the length of the gasket and restore a tight seal.



Perimeter seals

Accessories and options

Finishes



A
Aluminum Mill Finish



AA
Aluminum Clear Anodized
(628, US28)



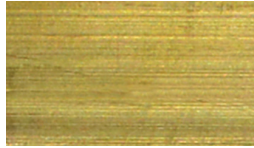
BK*
Aluminum Black Anodized
(711, US315AN)



D*
Aluminum Dark Bronze
Anodized (710, US313AN)



G*
Aluminum Gold Anodized
(688, US10AN)



B
Bronze, Architectural
Mill Finish



B-ORB
Oil-Rubbed Bronze
(613, US10B)

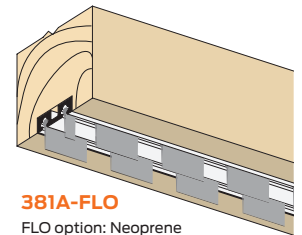
*Black, Dark Bronze and Gold anodized aluminum finishes will show wear over time and are not included in the standard warranty. Black, Dark Bronze and Gold anodized aluminum finished products may require a longer lead time, please contact customer service for accurate lead times.

Options

FLO	Air flow/ sound block	ZAG	Ligature resistant gasketing	SEC	Security screws
PSA	Pressure-sensitive adhesive	S	Order as a set		

Airflow/sound block (FLO)

Available as an option for mortised door shoe models #381 and #3546. The FLO configuration is a practical solution for applications requiring air flow while blocking light and sound as much as possible. The design uses sound-damping neoprene or EPDM seals which are notched and overlapped in staggered rows. This feature is commonly used for hotel doorways designed to exchange or amplify air conditioning between guest rooms and hallways.

**381A-FLO**

FLO option: Neoprene seals are notched and overlapped to facilitate air flow.

Pressure-sensitive adhesive (PSA)

PSA is available as an option for door sweep and meeting stile models #8192, #8193, and #8194. Perimeter seals that are supplied with PSA standard are designated by model numbers showing “-PSA.” When PSA is specified, the models will be provided with PSA applied instead of with holes and standard screws.

Ligature resistant gasketing (ZAG)

This patented ligature-resistant option prevents unintended usage of the gasketing, including harming oneself or others. When ZAG is specified, the rubber is scored before insertion into the aluminum extrusion. This allows for normal function for its specified purpose, but the seal will now break apart if removal is attempted or any weight is placed on the seal.

**328AA-ZAG****485N-ZAG**

Order as a set (S)

Head and jamb gasketing and adjustable sealing systems can be ordered either as “straight-stick” components (order by length) or as a set of three components – two side jambs and a head jamb (order by size of door opening = Width" x Height"). Other perimeter seals are ordered only as “straight-stick.”

Security screws (SEC)

Tamper-resistant Torx security screws. Prevents unauthorized removal in hospitals, schools and public places.



Accessories and options

Fasteners

Perimeter seals are supplied with the appropriate screws and quantities needed for installation based on order length. Use the part numbers below for ordering additional screws.

Standard screw packs - head and jamb

Applicable perimeter seal models	Part #	Description	Finish	Package contents
170, 770, 7770, 770SP, 770STST	47254760	Head and Jamb	AA	19 Screws #8x1-1/2" FPHSMS, ZP
170D, 770D, 7770D	47254761	Head and Jamb	D, BK	19 Screws #8x1-1/2" FPHSMS, black ZP
170G, 770G, 7770G	47254762	Head and Jamb	G	19 Screws #8x1-1/2" FPHSMS, brass plate
11, 31, 32, 33, 39, 39W, 44STST, 47, 50, 50MA, 52, 53, 55, 55FS, 72, 95, 96, 98, 99, 100, 110, 111, 111FS, 139, 140, 141, 142, 153, 154, 155, 253, 253FS, 254, 255, 270, 272, 302FS, 312, 314, 318, 322, 326, 328, 328FS, 329, 339, 339W, 339FS, 376, 381, 452, 470, 472, 475, 477, 478, 485, 511, 539, 555, 555FS, 570, 639W, 712, 870, 871, 873, 905, 1370, 3544, 3546, 3709, 8049R, 8149, 8151, 8191, 8192, 8193, 8194, 8195, 8197, 8198, 8302, 8303, 8305, 8877, 8878, 8879	47254768	Head and Jamb	AA, A	6 Screws #6x1 PPHSDS
11, 31, 32, 33, 39, 39W, 47, 50, 50MA, 51-90, 51-180, 55, 55FS, 95, 96, 98, 99, 100, 110, 111, 111FS, 139, 140, 141, 142, 153, 154, 155, 255, 270, 272, 302FS, 312, 314, 318, 322, 326, 328, 328FS, 329, 339, 339W, 339FS, 470, 472, 485, 511, 539, 555, 555FS, 570, 639W, 712, 870, 871, 873, 905, 951, 971-BIO, 972-BIO, 973-BIO, 974-BIO, 1370, 3709, 8191, 8192, 8193, 8194, 8195, 8197, 8198, 8302, 8303, 8305, 8877, 8878, 8879	47254769	Head and Jamb, Finger Guards	D, BK	6 Screws #6x1 PPHSDS, black ZP
11, 31, 32, 33, 39, 39W, 47, 50, 50MA, 51-90, 51-180, 55, 55FS, 95, 96, 98, 99, 100, 110, 111, 111FS, 139, 140, 141, 142, 153, 154, 155, 255, 270, 272, 302FS, 312, 314, 318, 322, 326, 328, 328FS, 329, 339, 339W, 339FS, 470, 472, 485, 511, 539, 555, 555FS, 570, 639W, 712, 870, 871, 873, 905, 951, 971-BIO, 972-BIO, 973-BIO, 974-BIO, 1370, 3709, 8191, 8192, 8193, 8194, 8195, 8197, 8198, 8302, 8303, 8305, 8877, 8878, 8879	47254770	Head and Jamb, Finger Guards	G, B	6 Screws #6x1 PPHSDS, brass plate
41, 1840	47254801	Head and Jamb	AA, D, BK	10 Screws #6x3/4" FPHSMS, 10 screws #6x3/4" FPHSMS Dark Bronze finish, and 10 Screws #6x3/4" gold finish
429	47254804	Head and Jamb	AA	10 Screws #10x3/4" PPHSDS
43SP, 43STST	47254805	Head and Jamb	All finishes	11 1/4-20X1 FPHMS, 11 1/4-20 sex bolts 1" long, and 4 #10 x 3/4" PPHSDS
521FS	47254806	Head and Jamb	All finishes	6 - #10 x 1 1/2 FPHSMS CLR ZP Flanged, #10 C-sink washer
383, 383FS	47254807	Meeting Stile	AA, D, BK	10 - #8 x 3/4" FPHSMS and 10 #8 x 3/4" FPHSMS black ZP
383, 383FS	47261363	Head and Jamb	G	10 - #8 x 3/4" FPHSMS, brass plate
51-90, 51-120, 51-180, 951, 971-BIO, 972-BIO, 974-BIO, 973-BIO	47254808	Finger Guard	A or AA	14 - #6x3/4" PPHSMS
56, 156, 557	47257629	Head and Jamb	All finishes	20 - 8-32x5/8 OPHMS steel ZP adjustment screws

Security screws

Finish for D, BK and G Torx screws are available upon request.

Applicable perimeter seal models	Part Number	Description	Finish	Package contents
11, 31, 32, 33, 39, 44, 47, 50, 52, 53, 55, 72, 95, 96, 98, 99, 100, 110, 111, 139, 140, 141, 142, 153, 154, 155, 254, 255, 270, 272, 312, 314, 318, 322, 326, 328, 329, 339, 376, 381, 429, 452, 470, 472, 475, 477, 478, 485, 539, 555, 570, 712, 870, 871, 873, 905, 1370, 3709, 8049, 8149, 8151, 8191, 8192, 8193, 8194, 8195, 8197, 8198, 8302, 8303, 8305, 8306, 8877, 8878, 8879, 111FS, 302FS, 328FS, 339FS, 339W, 39W, 50M, 555FS, 55FS, 639W, 973BIO, 511, 51, 951, 971BIO, 972BIO, 974BIO	47259852	HNJ and FG	A or AA	12 - #6X1 Button SEC TORX SMS, clear ZP
170, 770, 770FS, 7770	47259939	ADJ	AA, SP, or STST	19 - #8X1-1/2" Flat SEC TORX SMS, clear ZP
383, 383FS	47259975	STILES	AA	10 - #8X3/4" Flat SEC TORX SMS, clear ZP

See Perimeter seals Accessories & options page for details.

Finishes:

- A** Aluminum mill finish
- AA** Aluminum clear anodized
- BK** Aluminum black anodized
- D** Aluminum dark bronze anodized
- G** Aluminum gold anodized
- B** Bronze, architectural mill finish
- B-ORB** Oil-rubbed aged bronze

Options:

- FLO** Air flow/ sound block
- PSA** Pressure-sensitive adhesive
- ZAG** Ligature resistant gasketing
- S** Order as a set
- SEC** Security screws

Note:

Perimeter seals

Accessories and options

**Security thru sex bolt**

Offered for models #43 SP and #43STST, this assembly consists of:

- 1/4-20 X .75" (25.4) FPHSMS
- 1/4-20 X 1.50" (25.4) sex bolt

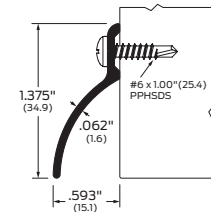
It may be used with doors up to 1 3/4" thick.

Replacement rubber seals

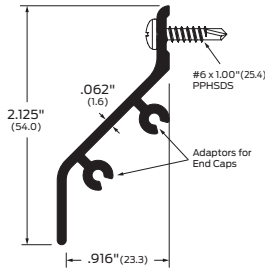
Replacement seals are available for perimeter seal models containing rubber components. See appendix for replacement rubber seals. If viewing an interim version of the catalog, please contact Tech Support for replacement rubber information.

Specialized perimeter seal accessories

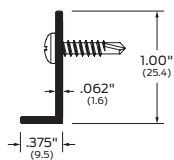
Specialty exterior protection – Rain drips for outswing doors.

11 Rain drip

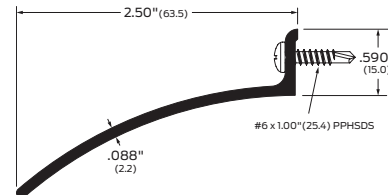
Finishes: AA, BK, D, G Option: SEC ANSI/BHMA: 11AA, 11BK, 11D, 11G R3Y936

141 Rain drip

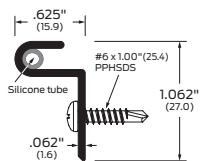
Finishes: AA, BK, D, G Option: SEC ANSI/BHMA: 141AA, 141BK, 141D, 141G R3Y936

25 Interlocking angle

Finishes: AA, BK, D, G Option: SEC
This accessory can be used interlocking with rain seal model #144 to impede water ingress through perimeter seals on out-swinging doors.

142 Rain drip

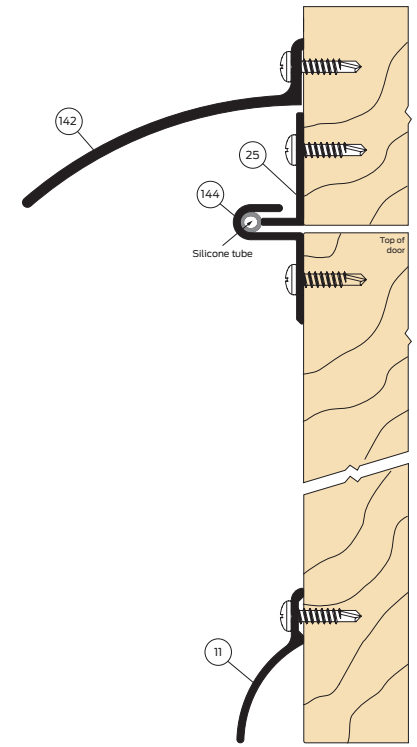
Finishes: AA, BK, D, G Option: SEC ANSI/BHMA: 142AA, 142BK, 142D, 142G R3Y976

144

Finishes: AA, BK, D, G Option: SEC

Application

Order models separately.



All items on this page:



See Perimeter seals Accessories & options page for details.

Finishes:	Option:	Note:
AA Aluminum clear anodized	SEC Security screws	
BK Aluminum black anodized		
D Aluminum dark bronze anodized		
G Aluminum gold anodized		



Perimeter seals order guide

Perimeter seals: head and jamb, meeting stiles (astragals), sweeps, and finger guards

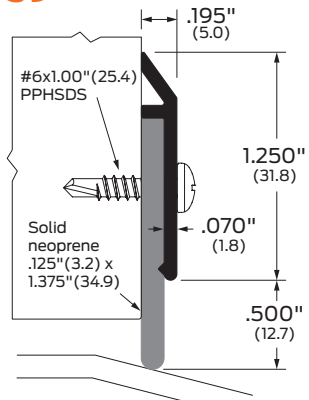
	Model	Finish	Set/ options	Length/ width	Height	Metric
	870	AA	S	36	84	
Models						
Example						
39 Sweep						
140 Head and jamb, astragal-meeting stile						
328* Head and jamb, astragal-meeting stile, sweep						
429 Head and jamb						
511 Door shoe						
8198 Sweep						
Finishes						
A - Aluminum mill finish						
AA - Aluminum clear anodized						
BK - Black anodized						
D - Aluminum dark bronze anodized						
G - Aluminum gold anodized						
B - Bronze mill finish						
B-ORB - (US10B/613) Oil rubbed, aged bronze						
<small>*See specific product page for available finishes</small>						
Options						
Blank - Straight stick length only, sweeps and astragals only available as sticks						
S - Door set, width always given first, only available for "Head and Jamb"						
FLO - High air flow configuration available on models: 381, 3546						
PSA - Pressure sensitive adhesive						
ZAG - Ligature resistant gasketing						
<small>*See specific product page for available options</small>						
Length/Width						
Length - for straight stick items use first measure only, use decimal to nearest 1/8"						
Width - for use with Sets, "S", use decimal to nearest 1/8"						
Height						
Height - for use with sets, use decimal to nearest 1/8" always measure following "x" when "S" set is denoted.						
Metric						
Blank = US standard						
MM = Metric in millimeters (rounded to the nearest 1/8")						

Perimeter seals

Door sweeps



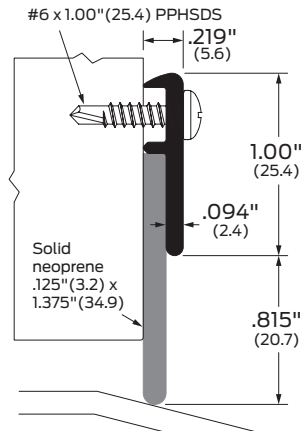
39



Finishes: A, BK, D, G
Option: SEC
ANSI/BHMA: 39A, 39BK, 39D, 39G

R3B434

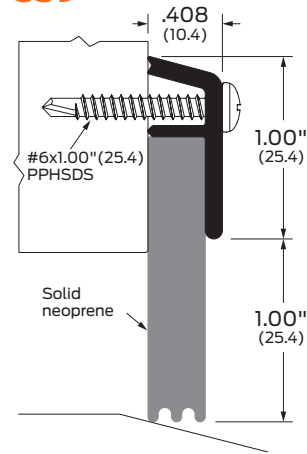
339



Finishes: AA, BK, D, G, B, B-ORB
Option: SEC
ANSI/BHMA: 339AA, 339BK, 339D, 339G, 339B

R3B434
R1B434

539

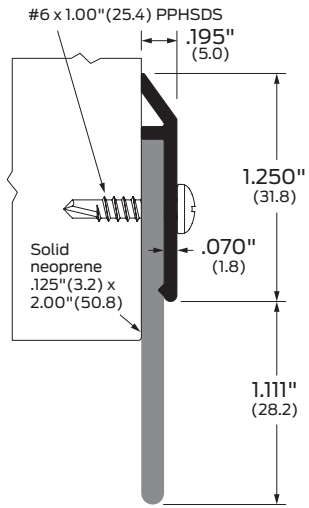


Finishes: AA, BK, D, G
Option: SEC
ANSI/BHMA: 539AA, 539BK, 539D, 539G

R3B434



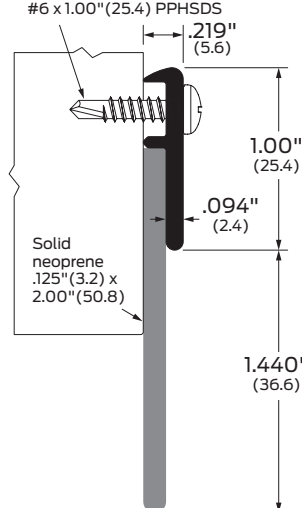
39W



Finishes: A, BK, D, G
Option: SEC
ANSI/BHMA: 39WA, 39WBK, 39WD, 39WG

R3B434

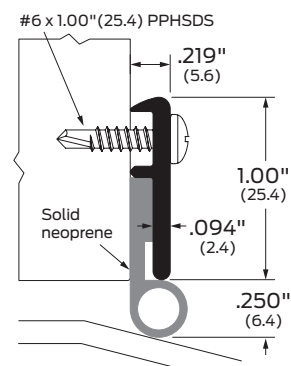
339W



Finishes: AA, BK, D, G, B, B-ORB
Option: SEC
ANSI/BHMA: 339WAA, 339WBK, 339WD, 339WG, 339WB

R3B434
R1B434

328



Finishes: AA, BK, D, G, B, B-ORB
Options: ZAG, S, SEC
ANSI/BHMA: 328AA, 328BK, 328D, 328G, 328B

R3B434
R1B434



All items on this page:



See Perimeter seals Accessories & options page for details.

Finishes:

- A** Aluminum mill finish
- AA** Aluminum clear anodized
- BK** Aluminum black anodized
- D** Aluminum dark bronze anodized
- G** Aluminum gold anodized
- B** Bronze, architectural mill finish
- B-ORB** Oil-rubbed aged bronze

Options:

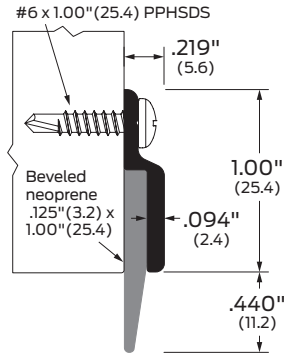
- ZAG** Ligature resistant gasketing
- S** Order as a set
- SEC** Security screws

Note:



Door sweeps

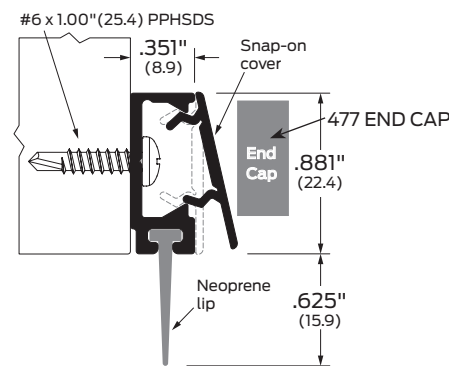
50M



Finishes: AA, BK, D, G
 Option: SEC
 ANSI/BHMA: 50MAA, 50MBK, 50MD, 50MG
 R3B434



477

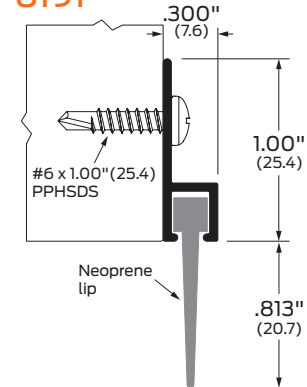


Finishes: AA, BK, D, G
 Options: SEC, End Cap
 ANSI/BHMA: 477AA, 477BK, 477D, 477G
 R3B434

Specify End Cap option for a clean look on edges.



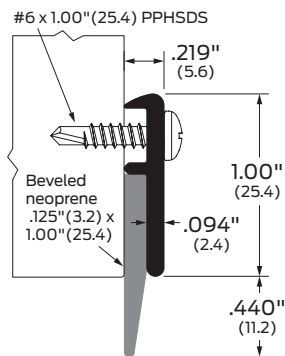
8191



Finishes: AA, BK, D, G
 Option: SEC
 ANSI/BHMA: 8191AA, 8191BK, 8191D, 8191G
 R3B434



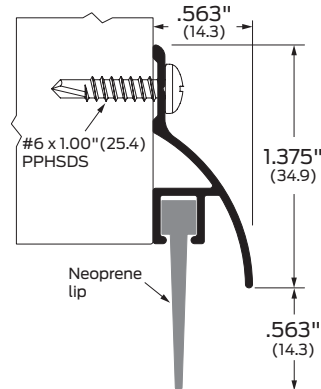
329



Finishes: AA, BK, D, G, B, B-ORB
 Option: SEC
 ANSI/BHMA: 329AA, 329BK, 329D, 329G, 329B
 R3B434, R1B434



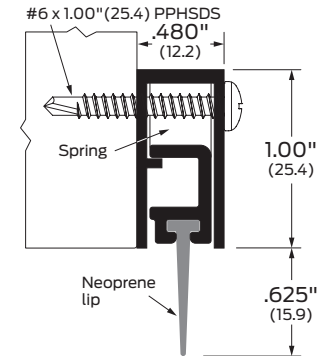
8197



Finishes: AA, BK, D, G
 Option: SEC
 ANSI/BHMA: 8197AA, 8197BK, 8197D, 8197G
 R3B536



571



Finishes: AA, BK, D, G
 Option: SEC

All items on this page:



See Perimeter seals Accessories & options page for details.

Finishes:

- A** Aluminum mill finish
- AA** Aluminum clear anodized
- BK** Aluminum black anodized
- D** Aluminum dark bronze anodized
- G** Aluminum gold anodized
- B** Bronze, architectural mill finish
- B-ORB** Oil-rubbed aged bronze

Option:

- SEC** Security screws

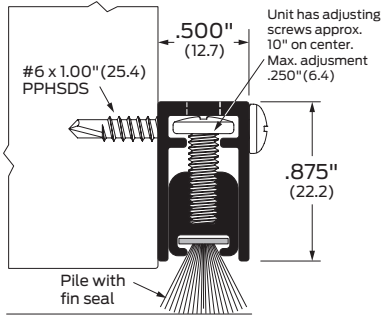
Note:

Perimeter seals

Door sweeps



871

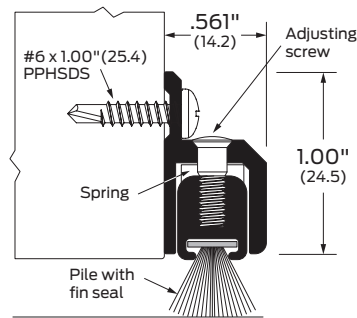


Finishes: AA, BK, D, G
Options: S, SEC
ANSI/BHMA: 871AA, 871BK, 871D, 871G R3F434

Adjustable



255

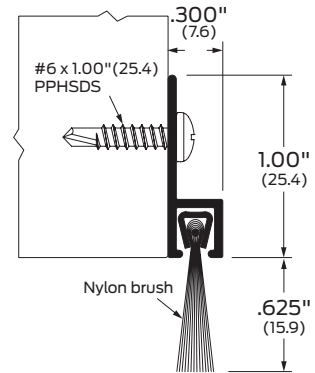


Finishes: AA, BK, D, G
Option: SEC
ANSI/BHMA: 255AA, 255BK, 255D, 255G R3F434

Adjustable



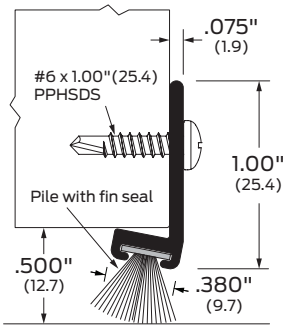
8192



Finishes: AA, BK, D, G
Options: PSA, SEC
ANSI/BHMA: 8192AA, 8192BK, 8192D, 8192G R3A436



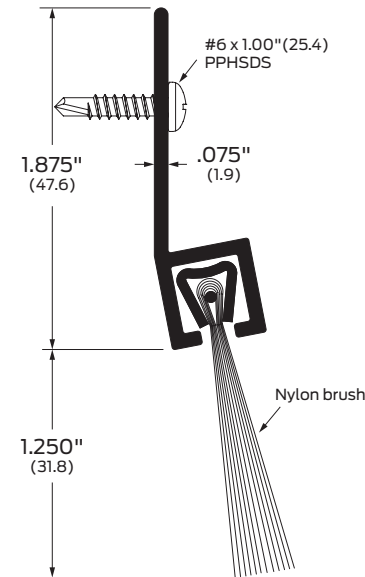
98



Finishes: A, BK, D, G
Options: PSA, S, SEC
ANSI/BHMA: 98A, 98BK, 98D, 98G R3F436



96



Finishes: A, BK, D, G
Option: SEC
ANSI/BHMA: 96A, 96BK, 96D, 96G R3A436

Suitable for mixed-use commercial, hospitality, multi-family, as well as sliding barn doors.

All items on this page:



See Perimeter seals Accessories & options page for details.

Finishes:

- A** Aluminum mill finish
- AA** Aluminum clear anodized
- BK** Aluminum black anodized
- D** Aluminum dark bronze anodized
- G** Aluminum gold anodized

Options:

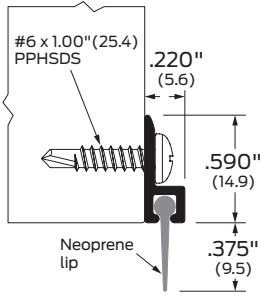
- PSA** Pressure-sensitive adhesive
- S** Order as a set
- SEC** Security screws

Note:



Door sweeps

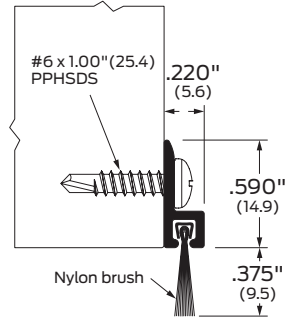
8194



Finishes: Options: ANSI/BHMA: AA, BK, PSA, D, G 8194AA, 8194BK, 8194D, 8194G R3B434



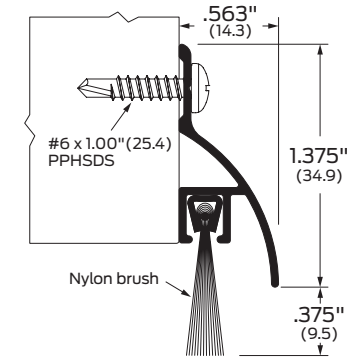
8193



Finishes: Options: ANSI/BHMA: AA, BK, PSA, S, D, G 8193AA, 8193BK, 8193D, 8193G R3A436



8198

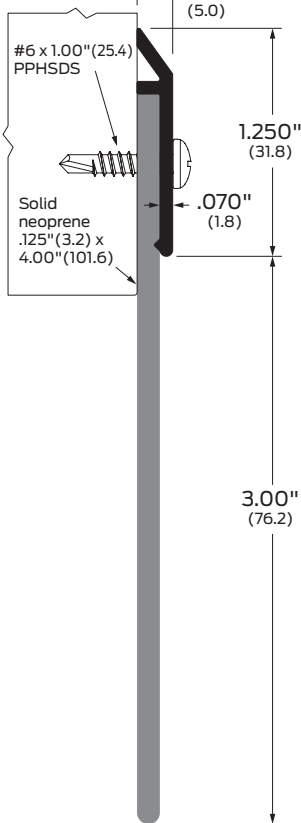


Finishes: Option: ANSI/BHMA: AA, BK, SEC D, G 8198AA, 8198BK, 8198D, 8199G R3A536

Surface-mounted with rain drip.



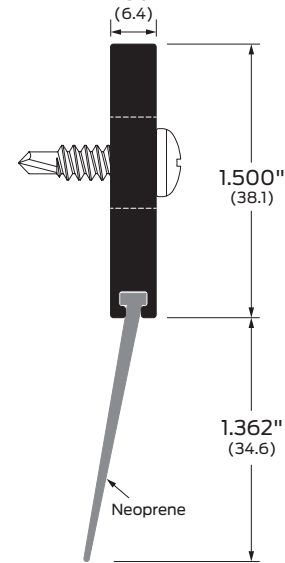
639W



Finishes: Option: ANSI/BHMA: A, BK, SEC 639WA, 639WAA, 639WBK, 639WD, 639WG R3B434

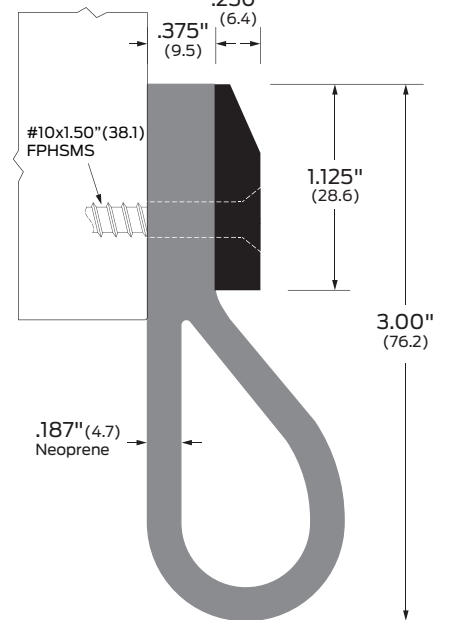


95



Finishes: Option: AA, BK, SEC D, G Suitable for heavy-duty overhead door

93



Finishes: A, BK, D, G Door sweep for industrial applications. 3/16" thick oil-resistant neoprene extrusion (Class II, Grade 60) Intended for garage door or overhead door. For hollow metal application.

See Perimeter seals Accessories & options page for details.

Finishes:

- A Aluminum mill finish
- AA Aluminum clear anodized
- BK Aluminum black anodized
- D Aluminum dark bronze anodized
- G Aluminum gold anodized

Options:

- PSA Pressure-sensitive adhesive
- S Order as a set
- SEC Security screws

Note:

Perimeter seals

Door shoes



Automatic door bottoms

Perimeter seals

Weatherstripping

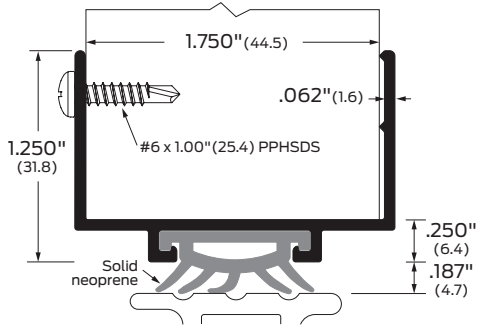
Intumescent

Sound control

Specialty applications

Appendix

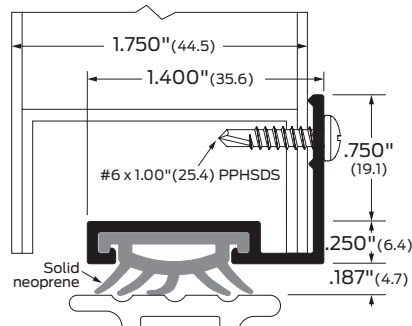
111



Finishes: AA, BK, D, G
Option: SEC
ANSI/BHMA: 111AA, 111BK, 111D, 111G
R3B414



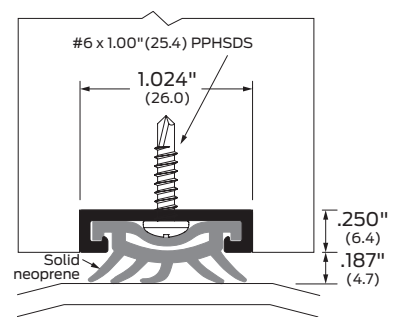
153



Finishes: A, BK, D, G
Option: SEC
ANSI/BHMA: 153A, 153BK, 153D, 153G
R3B414



253

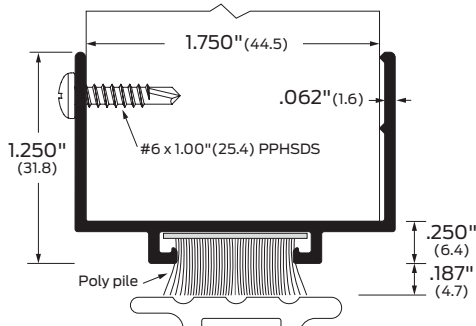


Finishes: A
ANSI/BHMA: 253A
R3B424

Supplied unassembled for ease of installation.

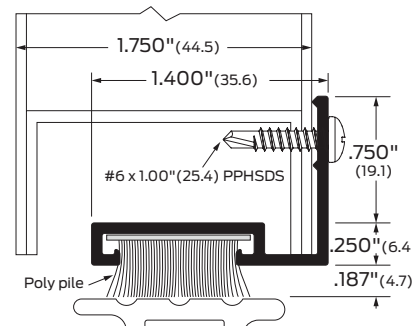


110



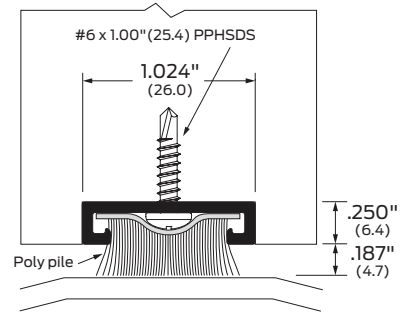
Finishes: AA, BK, D, G
Option: SEC
ANSI/BHMA: 110AA, 110BK, 110D, 110G
R3F416

154



Finishes: A, BK, D, G
Option: SEC
ANSI/BHMA: 154A, 154BK, 154D, 154G
R3F416

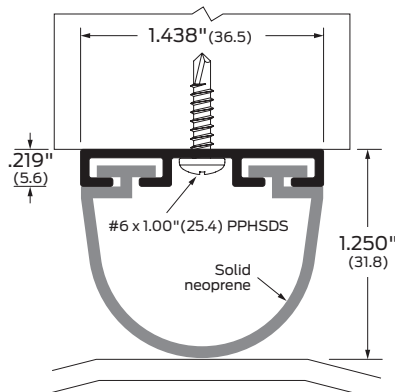
254



Finishes: A
Option: SEC
ANSI/BHMA: 254A
R3F426

Supplied unassembled for ease of installation.

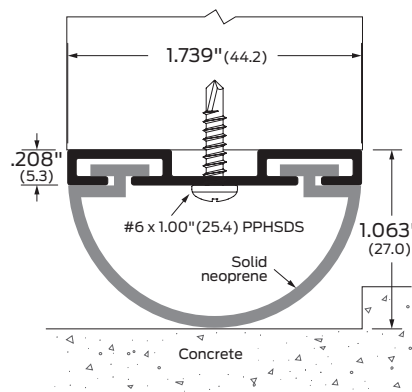
452



Finishes: A
Option: SEC
ANSI/BHMA: 452A
R3B414

For overhead doors. Supplied unassembled for ease of installation.

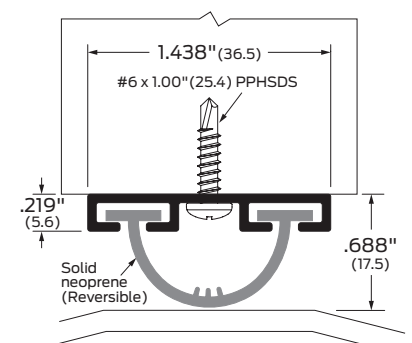
72



Finishes: A
Option: SEC
ANSI/BHMA: 72A
R3B414

For overhead doors. Supplied unassembled for ease of installation.

52



Finishes: A
Option: SEC
ANSI/BHMA: 52A
R3B414

Supplied unassembled for ease of installation.

See Perimeter seals Accessories & options page for details.

- | | |
|---------------------------------|---------------------|
| Finishes: | Option: |
| A Aluminum mill finish | SEC Security screws |
| AA Aluminum clear anodized | |
| BK Aluminum black anodized | |
| D Aluminum dark bronze anodized | |
| G Aluminum gold anodized | |

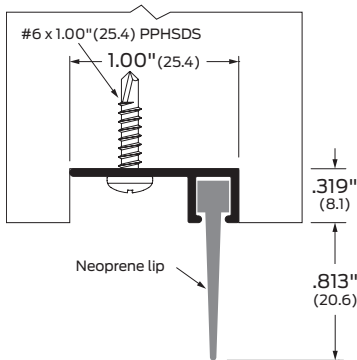
Note: All items on this page:





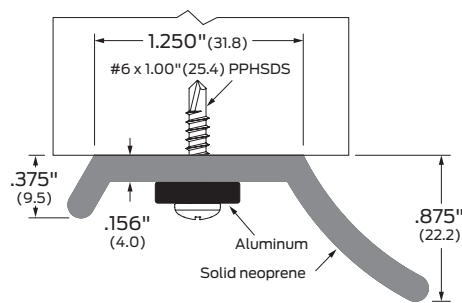
Door shoes

8151



Finishes: AA
Option: SEC
ANSI/BHMA: 8151AA R3B426
BHMA CERTIFIED
10C

8049R

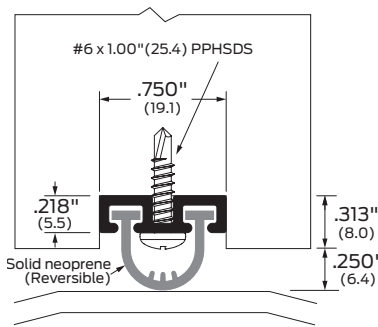


Finishes: A
Option: SEC

3544

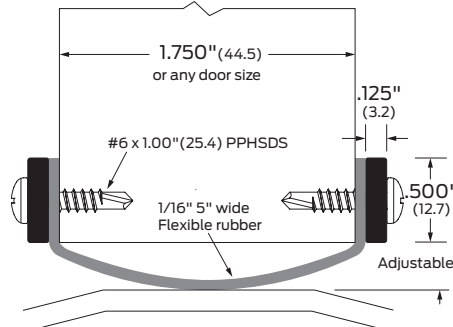
Finishes: A
Option: SEC
ANSI/BHMA: R3A426
BHMA CERTIFIED
10C

53



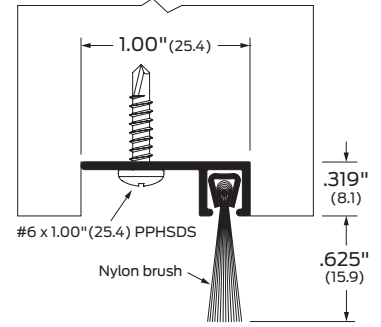
Finishes: A
Option: SEC
ANSI/BHMA: 53A R3B424
Supplied unassembled for ease of installation.
BHMA CERTIFIED
10C

511



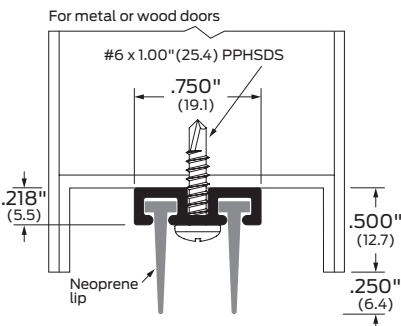
Finishes: A, BK, D, G
Option: SEC
BHMA CERTIFIED
10C

8149



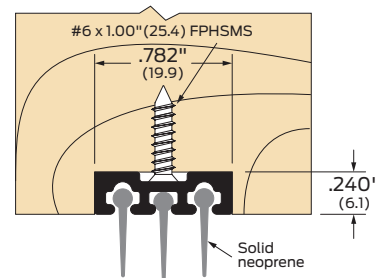
Finishes: AA
Option: SEC
ANSI/BHMA: 8149AA R3A426
BHMA CERTIFIED
10C

381

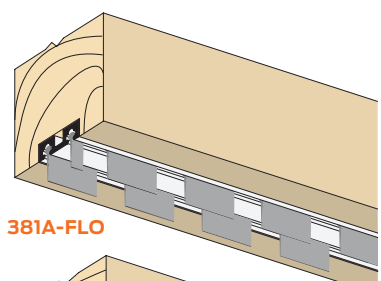


Finishes: A
Options: FLO, SEC
ANSI/BHMA: 381A R3B424
BHMA CERTIFIED
10C

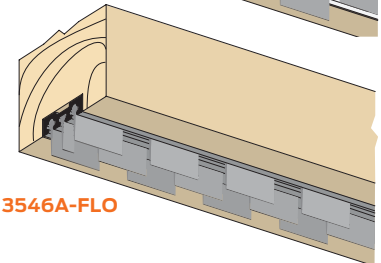
3546



Finishes: A
Options: FLO, SEC
Mortised. Supplied unassembled for ease of installation.
BHMA CERTIFIED
10C



381A-FLO



3546A-FLO

See Perimeter seals Accessories & options page for details.

Finishes:

- A Aluminum mill finish
- AA Aluminum clear anodized
- BK Aluminum black anodized
- D Aluminum dark bronze anodized
- G Aluminum gold anodized

Options:

- FLO Air flow/ sound block
- SEC Security screws

Note:

Perimeter seals

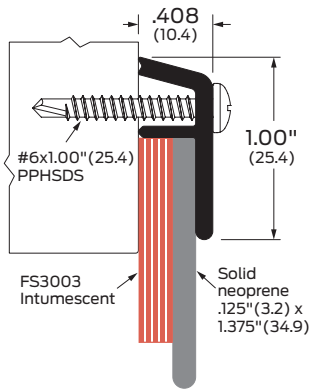
Intumescent door sweeps and shoes



Gap solutions—restore lost fire rating

Maximum 0.75" (12.7mm) clearances allowed at the bottom of fire-rated doors do not leave much room for error. Fire ratings lost when installation or alignment problems cause larger clearances can be restored using these intumescent solutions, without the costs of structural changes or door replacement.

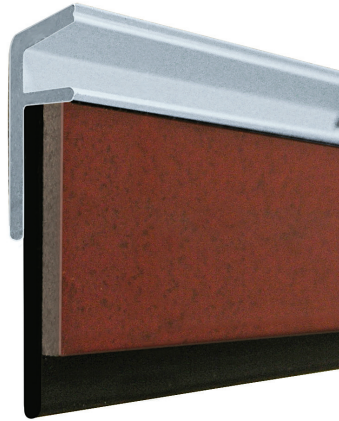
339FS



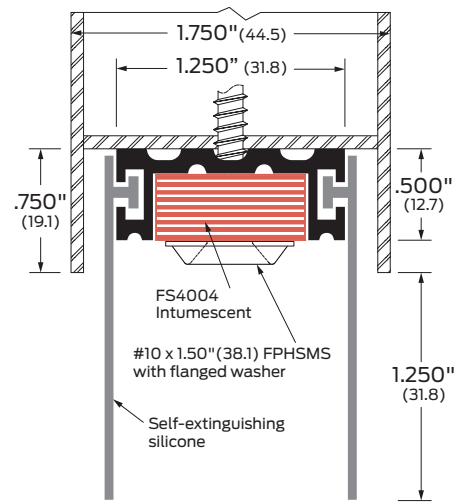
Finishes: AA, BK, D, G
 Option: SEC
 ANSI/BHMA: 339FS-AA, 339FS-BK, 339FS-D, 339FS-G R3R434

Intumescent door sweep
 Restore fire rating on 20 minute fire-rated swinging flush wood door.
 For use on doors with maximum undercut of 1.250".
 ITS-listed to positive pressure UL10C.

339FS

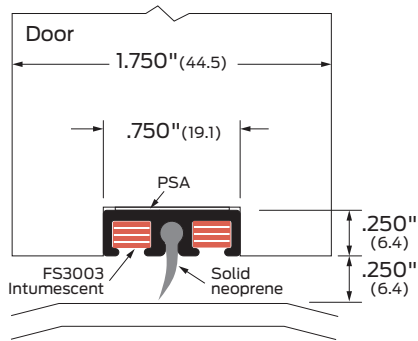


521FS



Finishes: AA
 Option: SEC
 Intumescent door shoe, mortised.

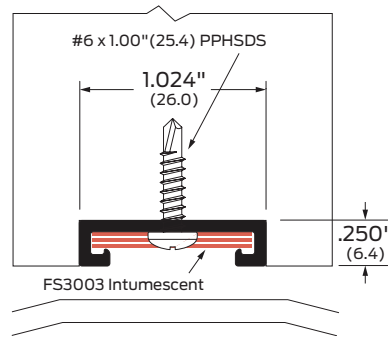
59FS



Finishes: A
 ANSI/BHMA: 59FS-A R3R424



253FS

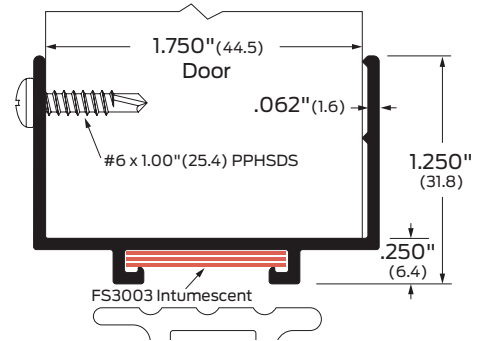


Finishes: A
 ANSI/BHMA: 253FS-A R3P424

Supplied unassembled for ease of installation.



111FS



Finishes: AA, BK, D, G
 Option: SEC

All items on this page:



See Perimeter seals Accessories & options page for details.

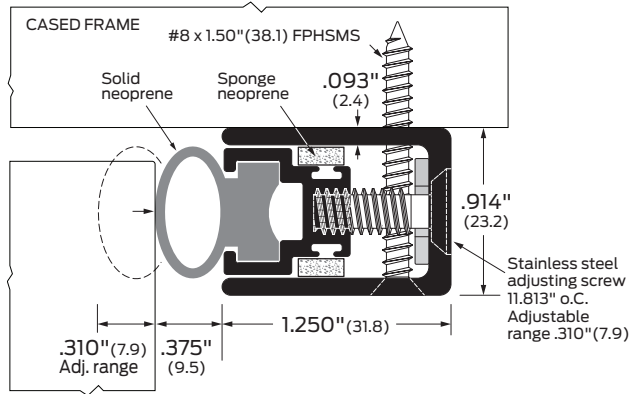
Finishes:	Option:
A Aluminum mill finish	SEC Security screws
AA Aluminum clear anodized	
BK Aluminum black anodized	
D Aluminum dark bronze anodized	
G Aluminum gold anodized	



Adjustable sealing systems – jamb-applied

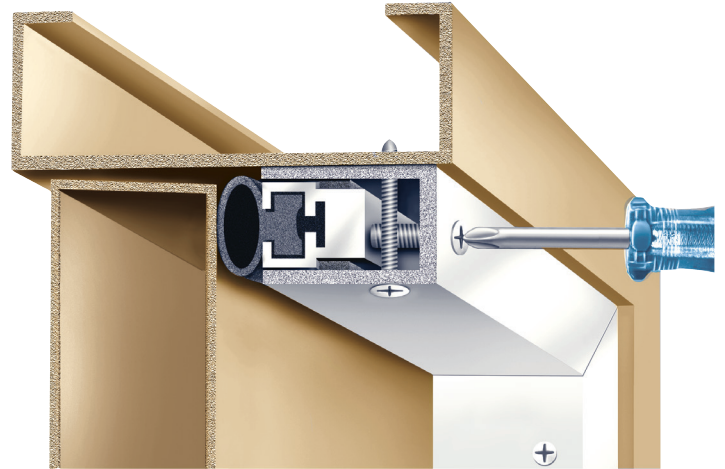
Solutions for use with cased frame

770



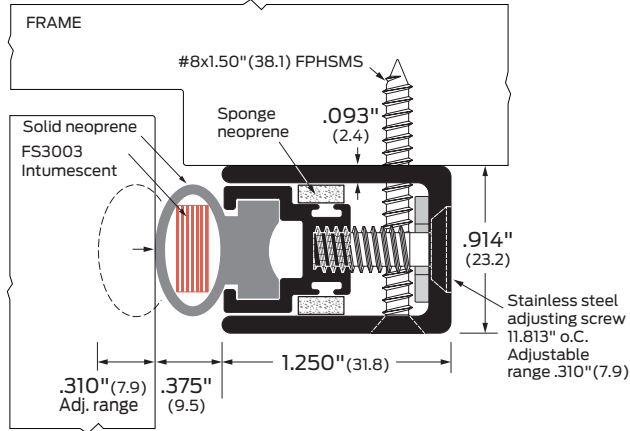
Finishes: AA, BK, D, G Options: S, SEC ANSI/BHMA: 770AA, 770BK, 770D, 770G R3B254

This model is supplied with mitered corners. 20 min as a stop. 180 min when applied to stop when ordered as a set.



770 used on cased opening frame with mitered corners, used as a stop.

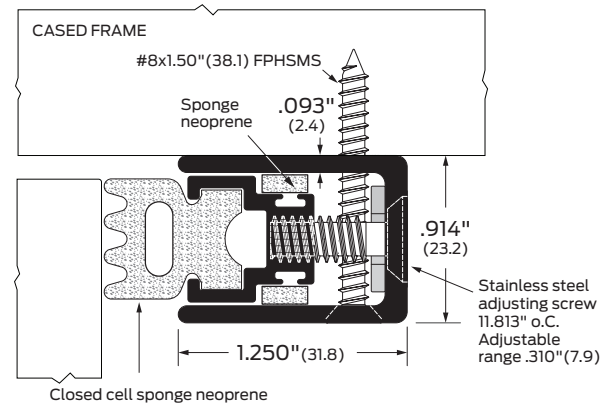
770FS



Finishes: AA, BK, D, G Options: S, SEC ANSI/BHMA: 770FS-AA, 770FS-BK, 770FS-D, 770FS-G R3R264

This model is supplied with mitered corners. 180 min. fire rating for metal doors when applied on a certified steel frame with no cased opening when ordered as a set.

170



Finishes: AA, BK, D, G Options: S, SEC ANSI/BHMA: 170AA, 170BK, 170D, 170G R3C254

This model is supplied with mitered corners. 20 minutes as a stop. 180 min when applied to stop when ordered as a set.



All items on this page:



See Perimeter seals Accessories & options page for details.

Finishes:	Options:
AA Aluminum clear anodized	S Order as a set
BK Aluminum black anodized	SEC Security screws
D Aluminum dark bronze anodized	
G Aluminum gold anodized	

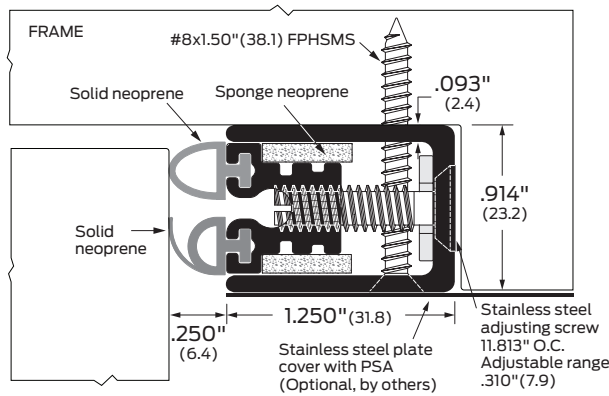
Note: Verify frame manufacturer is approved to use applied stop.

Perimeter seals

Adjustable sealing systems – jamb-applied



7770

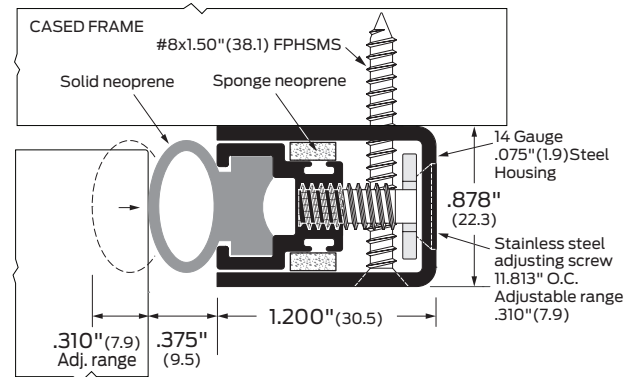


Finishes: AA, BK, D, G Options: S, SEC ANSI/BHMA: 7770AA, 7770BK, 7770D, 7770G R3B264

This model is supplied with mitered corners. Neoprene extruded bulb/finger for secure seal. 20 minute as a stop, 180 min when applied to stop when ordered as a set.



770SP / 770STST

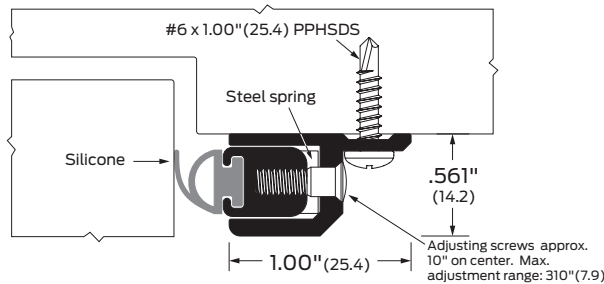


Finishes: SP, STST Options: S, SEC ANSI/BHMA: 770SP, 770STST R0B264 R5B254

This model is supplied with mitered corners. 90 min. fire rating for certified wood and metal doors and frames when applied as a stop. Positive Pressure Listed as a stop for 16 gauge steel cased opening up to 90 minutes on single and pair doors. 180 minutes when applied to a stop when ordered as a set.



712

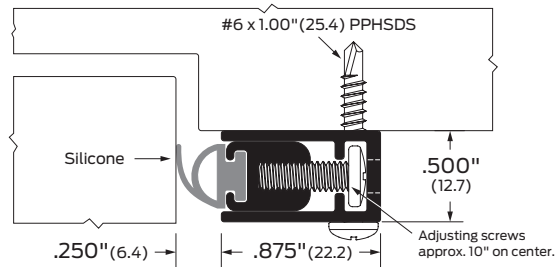


Finishes: AA, BK, D, G Options: S, SEC ANSI/BHMA: 712AA, 712BK, 712D, 712G R3E264

Adjustable and spring loaded. Neoprene extruded bulb/finger for secure seal.



870

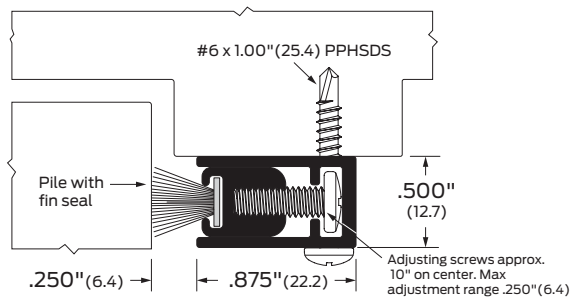


Finishes: AA, BK, D, G Options: S, SEC ANSI/BHMA: 870AA, 870BK, 870D, 870G R3E264

Neoprene extruded bulb/finger for secure seal.



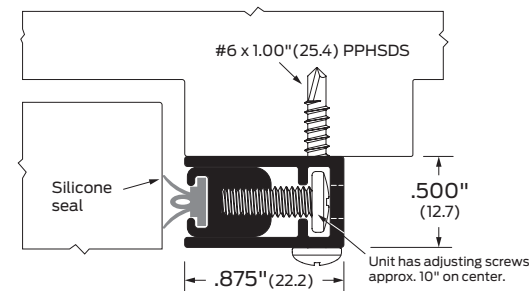
871



Finishes: AA, BK, D, G Options: S, SEC ANSI/BHMA: 871AA, 871BK, 871D, 871G R3F265



873



Finishes: AA, BK, D, G Option: SEC ANSI/BHMA: 873AA, 873BK, 873D, 873G R3E834

All items on this page:



See Perimeter seals Accessories & options page for details.

Finishes:	Options:
A Aluminum mill finish	S Order as a set
AA Aluminum clear anodized	SEC Security screws
BK Aluminum black anodized	
D Aluminum dark bronze anodized	
G Aluminum gold anodized	
SP Steel primed	
STST Stainless steel	

Note:

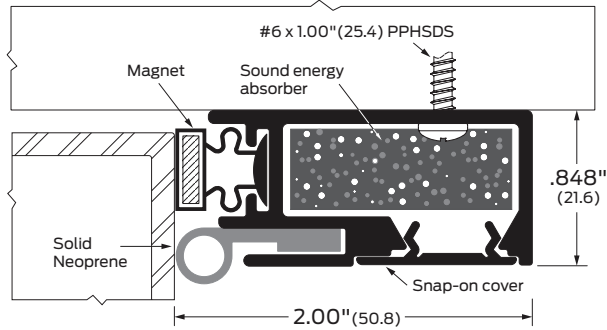
Finishes: SP = Steel Primed, STST=Stainless Steel.

Verify frame manufacturer is approved to use applied stop.



Head and jamb gasketing

3708

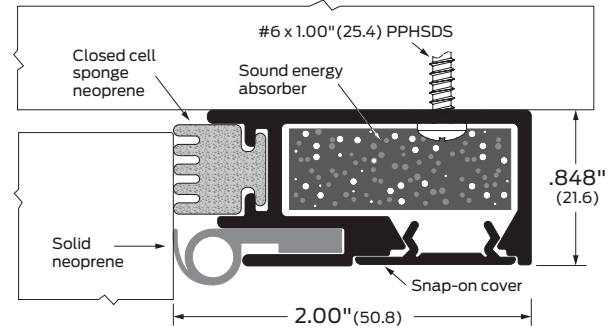


Finishes: **ANSI/BHMA:**
AA, BK, 3708AA R3L154
D, G

Magnetic head and jamb gasketing. For use with metal interior doors only. Available to order as engineering special.

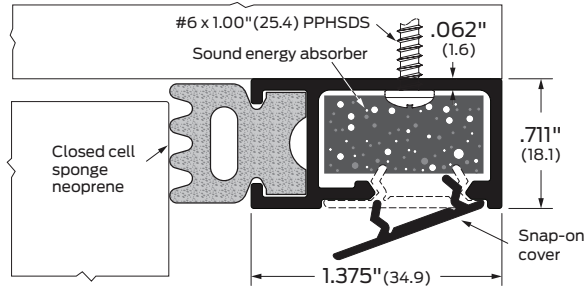


3709



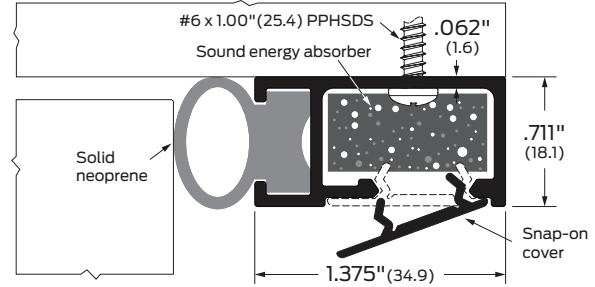
Finishes: **Options:**
AA, BK, S, SEC
D, G
Neoprene extruded bulb/finger for secure seal.

470



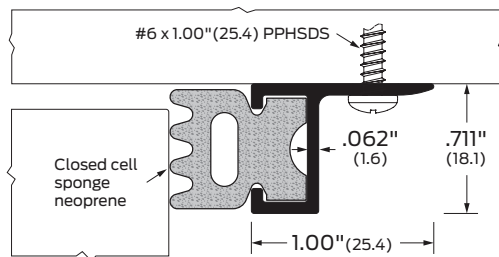
Finishes: **Options:** **ANSI/BHMA:**
AA, BK, S, SEC 470AA, 470BK, 470D, 470G R3C154
D, G

472



Finishes: **Options:** **ANSI/BHMA:**
AA, BK, S, SEC 472AA, 472BK, 472D, 472G R3B154
D, G

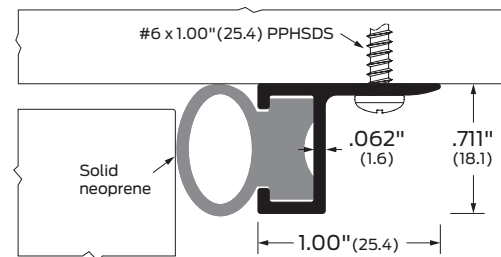
270



Finishes: **Options:** **ANSI/BHMA:**
A, BK, S, SEC 270A, 270BK, 270D, 270G R3C154
D, G



272



Finishes: **Options:** **ANSI/BHMA:**
A, BK, S, SEC 272A, 272BK, 272D, 272G R3B154
D, G



All items on this page, except 3709:



See Perimeter seals Accessories & options page for details.

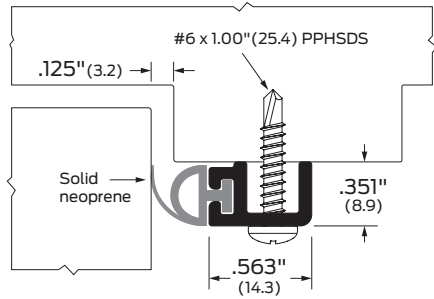
Finishes:	Options:	Note:
A Aluminum mill finish	S Order as a set	
AA Aluminum clear anodized	SEC Security screws	
BK Aluminum black anodized		
D Aluminum dark bronze anodized		
G Aluminum gold anodized		

Perimeter seals

Head and jamb gasketing



485

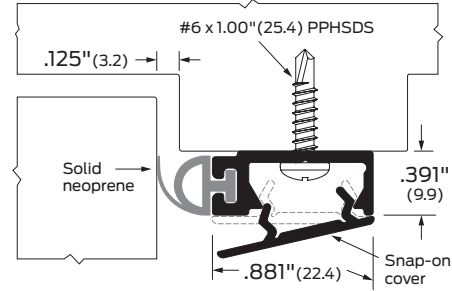


Finishes: AA, BK, D, G
Options: ZAG, SEC
ANSI/BHMA: 485AA, 485BK, 485D, 485G
R3B164

ZAG option for mental health applications includes security screws. Extruded Bulb/Finger for double-sealing protection.



475

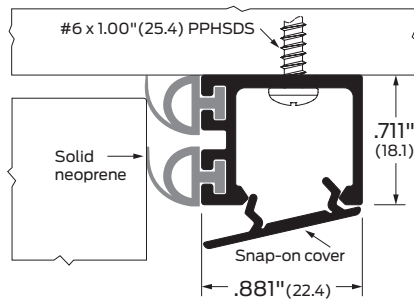


Finishes: AA, BK, D, G
Options: S, SEC
ANSI/BHMA: 475AA, 475BK, 475D, 475G
R3B164

Neoprene extruded bulb/finger for secure seal. Subject to local building codes.



478

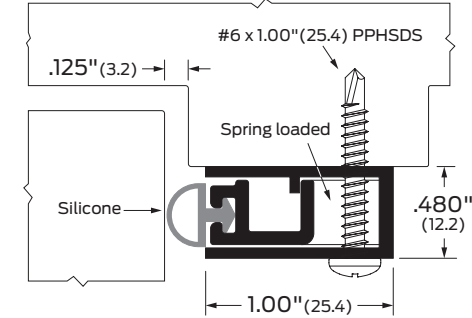


Finishes: AA, BK, D, G
Options: S, SEC
ANSI/BHMA: 478AA, 478BK, 478D, 478G
R3B154

Neoprene extruded bulb/finger for secure seal. Subject to local building codes.



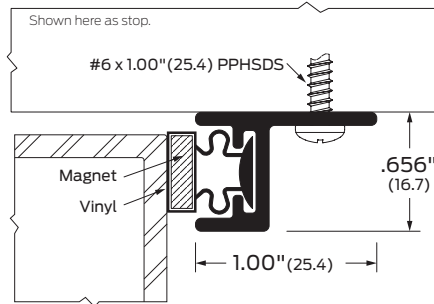
570



Finishes: AA, BK, D, G
Options: S, SEC
ANSI/BHMA: 570AA, 570BK, 570D, 570G
R3E164



370

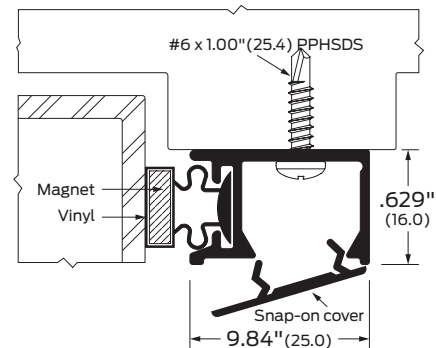


Finishes: A, BK, D, G
ANSI/BHMA: 370A, 370BK, 370D, 370G
R3L155

Magnetic head and jamb gasketing. For use with interior metal doors only. Available to order as engineering special.



375



Finishes: AA, BK, D, G
ANSI/BHMA: 375AA, 375BK, 375D, 375G
R3L165

Magnetic head and jamb gasketing. For use with interior metal doors only. Available to order as engineering special.



All items on this page:



See Perimeter seals Accessories & options page for details.

Finishes:

- A** Aluminum mill finish
- AA** Aluminum clear anodized
- BK** Aluminum black anodized
- D** Aluminum dark bronze anodized
- G** Aluminum gold anodized

Options:

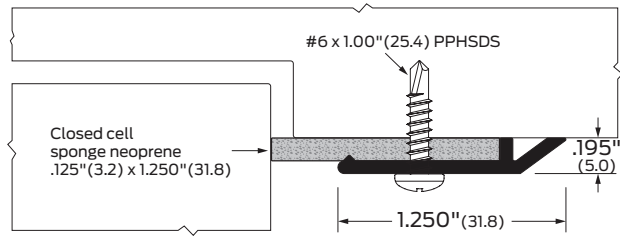
- ZAG** Ligature resistant gasketing
- S** Order as a set
- SEC** Security screws

Note:



Head and jamb gasketing

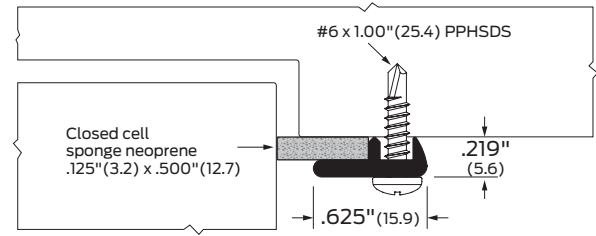
139



Finishes: A, BK, D, G Options: S, SEC ANSI/BHMA: 139A, 139BK, 139D, 139G R3C164



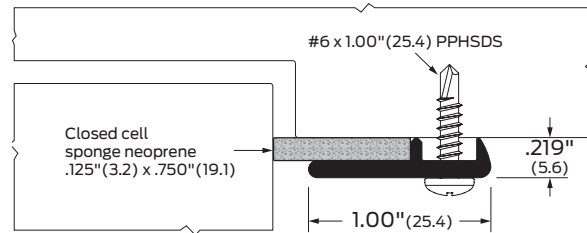
312



Finishes: A, BK, D, G Options: S, SEC ANSI/BHMA: 312A, 312BK, 312D, 312G R3C164

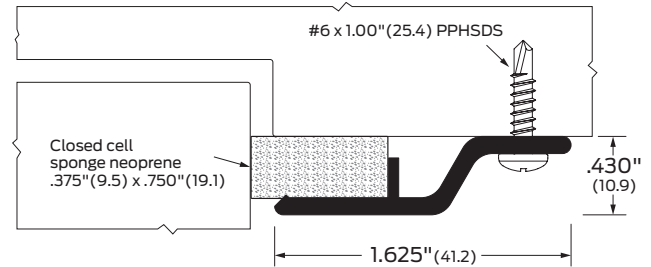


314



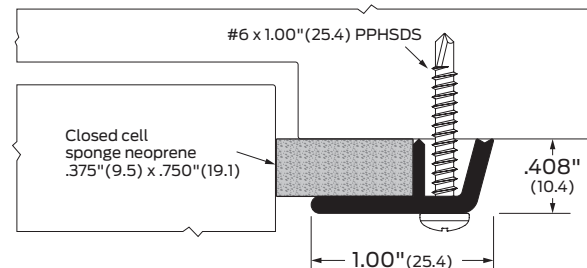
Finishes: AA, BK, D, G, B, B-ORB Options: S, SEC ANSI/BHMA: 314AA, 314BK, 314D, 314G R3C164 R1C164

140



Finishes: A, BK, D, G Options: S, SEC ANSI/BHMA: 140A, 140BK, 140D, 140G R3C164

318

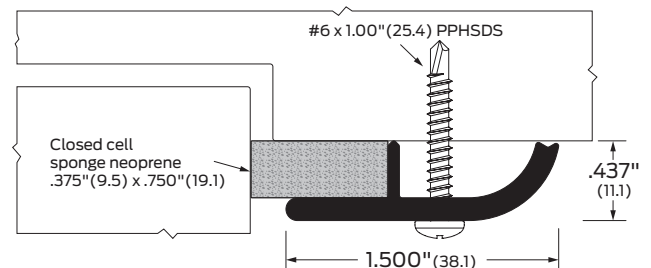


Finishes: AA, BK, D, G Options: ZAG, S, SEC ANSI/BHMA: 318AA, 318BK, 318D, 318G R3C164

ZAG option for mental health applications includes security screws.



322



Finishes: A, BK, D, G Options: S, SEC ANSI/BHMA: 322A, 322BK, 322D, 322G R3C164

All items on this page:



See Perimeter seals Accessories & options page for details.

Finishes:

- A** Aluminum mill finish
- AA** Aluminum clear anodized
- BK** Aluminum black anodized
- D** Aluminum dark bronze anodized
- G** Aluminum gold anodized
- B** Bronze, architectural mill finish
- B-ORB** Oil-rubbed aged bronze

Options:

- ZAG** Ligature resistant gasketing
- S** Order as a set
- SEC** Security screws

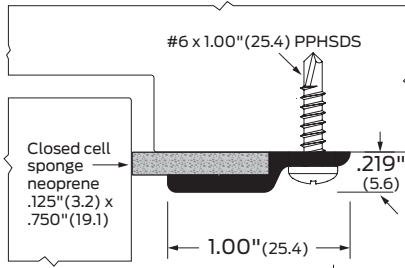
Note:

Perimeter seals

Head and jamb gasketing



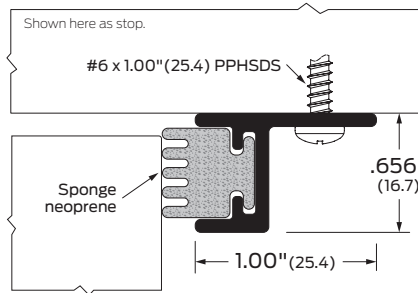
50



Finishes: AA, BK, D, G
Options: S, SEC
ANSI/BHMA: 50AA, 50BK, 50D, 50G R3C164



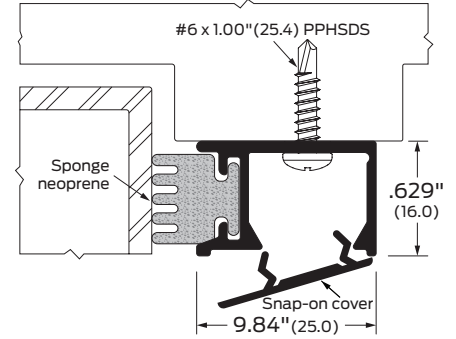
1370



Finishes: A, BK, D, G
Options: S, SEC
ANSI/BHMA: 1370A, 1370BK, 1370D, 1370G R3C154



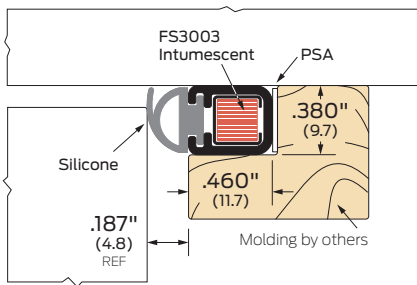
376



Finishes: AA, BK, D, G
Options: S, SEC
ANSI/BHMA: 376AA, 376BK, 376D, 376G R3C164



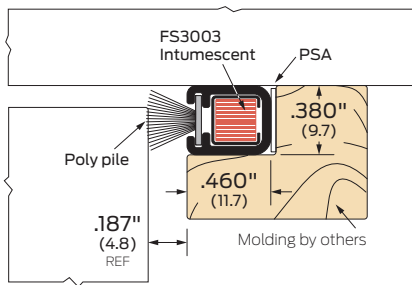
5831FS



Finishes: AA, BK, D, G
Option: S
ANSI/BHMA: 5831FS-AA, 5831FS-BK, 5831FS-D, 5831FS-G R3U164

Supplied standard with PSA.

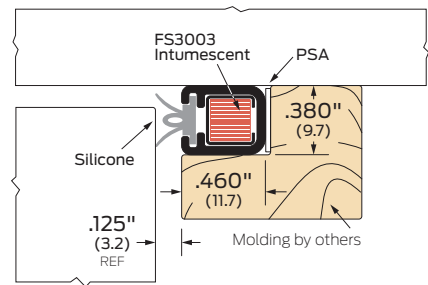
5832FS



Finishes: AA, BK, D, G
Option: S
ANSI/BHMA: 5832FS-AA, 5832FS-BK, 5832FS-D, 5832FS-G R3V164

Supplied standard with PSA.

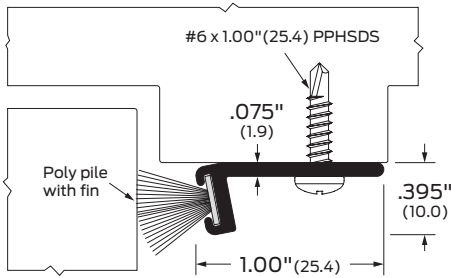
58FS



Finishes: AA, BK, D, G
Option: S
ANSI/BHMA: 58FS-AA, 58FS-BK, 58FS-D, 58FS-G R3U164

For applications with very small clearances between door and frame. Supplied standard with PSA.

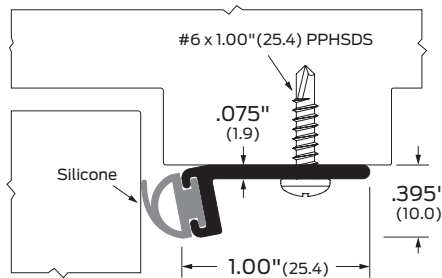
98



Finishes: A, BK, D, G
Options: PSA, S, SEC
ANSI/BHMA: 98A, 98BK, 98D, 98G R3F166



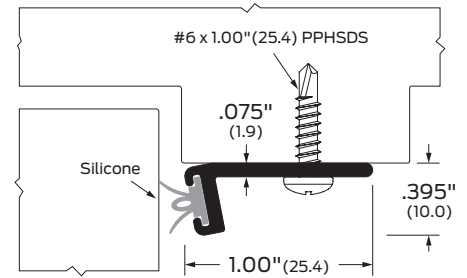
99



Finishes: A, BK, D, G
Options: ZAG, S, SEC
ANSI/BHMA: 99A, 99BK, 99D, 99G R3E164



100



Finishes: A, BK, D, G
Options: S, SEC
ANSI/BHMA: 100A, 100BK, 100D, 100G R3E164

For applications with very small clearances between door and frame.



See Perimeter seals Accessories & options page for details.

Finishes:

- A** Aluminum mill finish
- AA** Aluminum clear anodized
- BK** Aluminum black anodized
- D** Aluminum dark bronze anodized
- G** Aluminum gold anodized

Options:

- PSA** Pressure-sensitive adhesive
- ZAG** Ligature resistant gasketing
- S** Order as a set
- SEC** Security screws

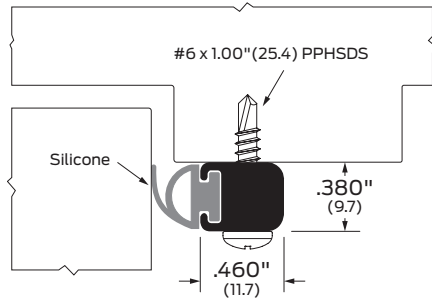
Note:

All items on this page:



Head and jamb gasketing

31

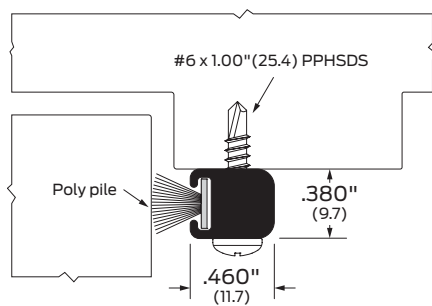


Finishes: AA, BK, D, G Options: S, SEC ANSI/BHMA: 31AA, 31BK, 31D, 31G R3E164

Neoprene extruded bulb/finger for secure seal.

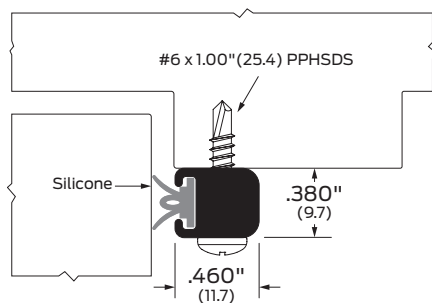


32



Finishes: AA, BK, D, G Options: S, SEC ANSI/BHMA: 32AA, 32BK, 32D, 32G R3F166

33

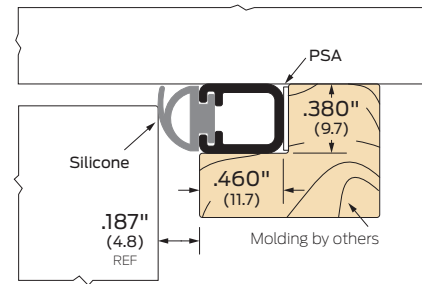


Finishes: AA, BK, D, G Options: S, SEC ANSI/BHMA: 33AA, 33BK, 33D, 33G R3E164

For applications with very small clearances between door and frame.



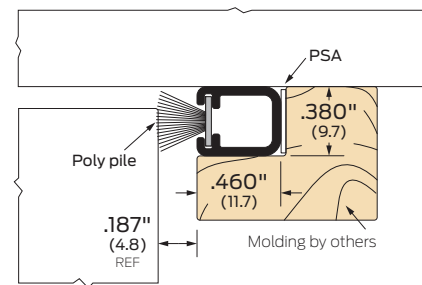
5831



Finishes: AA, BK, D, G Option: S ANSI/BHMA: 5831AA, 5831BK, 5831D, 5831G R3E164

Neoprene extruded bulb/finger for secure seal. Supplied standard with PSA.

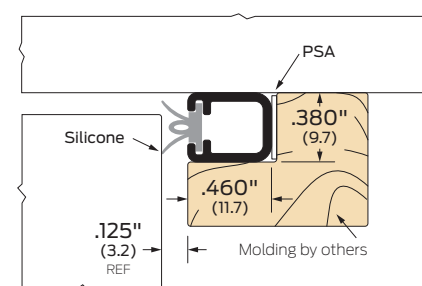
5832



Finishes: AA, BK, D, G Option: S ANSI/BHMA: 5832AA, 5832BK, 5832D, 5832G R3F166

Supplied standard with PSA.

5833



Finishes: AA, BK, D, G Option: S ANSI/BHMA: 5833AA, 5833BK, 5833D, 5833G R3E164

For applications with very small clearances between door and frame. Supplied standard with PSA.

See Perimeter seals Accessories & options page for details.

Finishes:

- AA Aluminum clear anodized
- BK Aluminum black anodized
- D Aluminum dark bronze anodized
- G Aluminum gold anodized

Options:

- S Order as a set
- SEC Security screws

Note:

All items on this page:

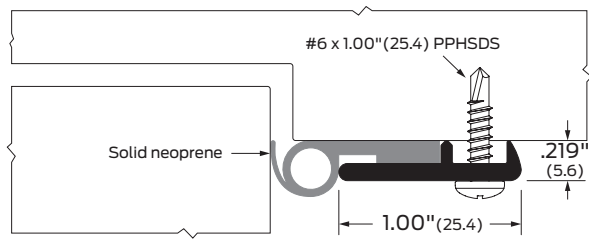


Perimeter seals

Head and jamb gasketing



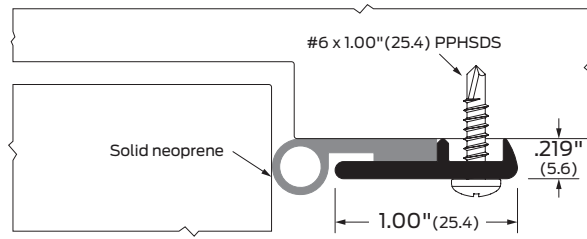
326



Finishes: AA, BK, D, G, B, B-ORB
Options: ZAG, S, SEC
ANSI/BHMA: 326AA, 326BK, 326D, 326G, 326B, R3B164, RIB164

 Neoprene extruded bulb/finger for secure seal.

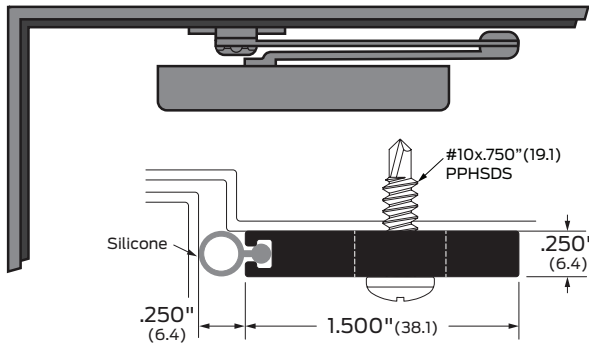
328



Finishes: AA, BK, D, G, B, B-ORB
Options: ZAG, S, SEC
ANSI/BHMA: 328AA, 328BK, 328D, 328G, 328B, R3B164, RIB164

 ZAG option for mental health applications includes security screws

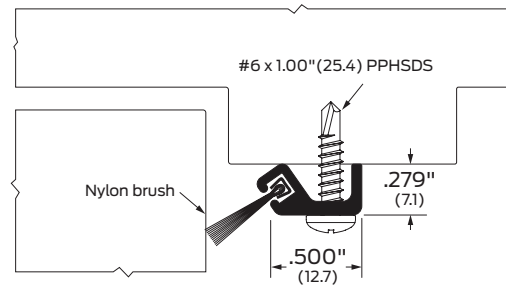
429



Finishes: AA, BK, D, G
Options: S, SEC
ANSI/BHMA: 429AA, 429BK, 429D, 429G, R3E164

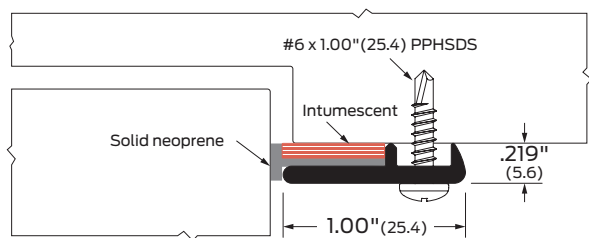
 Gasketing protection for closer bracket or door coordinator.

8305



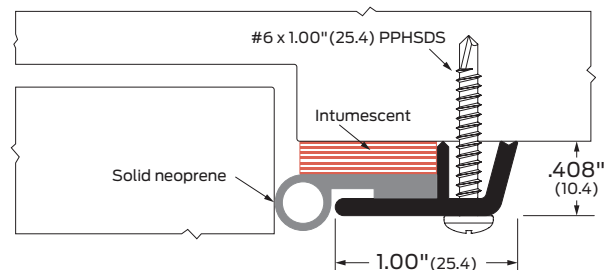
Finishes: AA, BK, D, G
Options: S, SEC
ANSI/BHMA: 8305AA, 8305BK, 8305D, 8305G, R3A166

302FS



Finishes: AA, BK, D, G, B
Options: S, SEC
ANSI/BHMA: 302FS-AA, 302FS-BK, 302FS-D, 302FS-G, R3R164

328FS



Finishes: AA, BK, D, G
Options: S, SEC
ANSI/BHMA: 328FS-AA, 328FS-BK, 328FS-D, 328FS-G, R3R164

See Perimeter seals Accessories & options page for details.

Finishes:	Options:
AA Aluminum clear anodized	ZAG Ligature resistant gasketing
BK Aluminum black anodized	S Order as a set
D Aluminum dark bronze anodized	SEC Security screws
G Aluminum gold anodized	

Note:

All items on this page:





Head and jamb gasketing

Thresholds

Automatic door bottoms

Perimeter seals

Weatherstripping

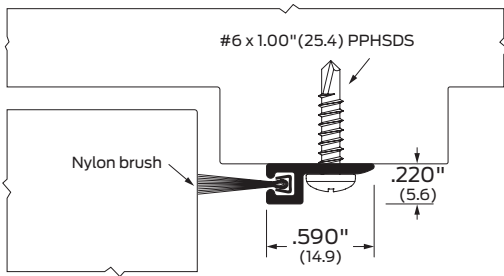
Intumescent

Sound control

Specialty applications

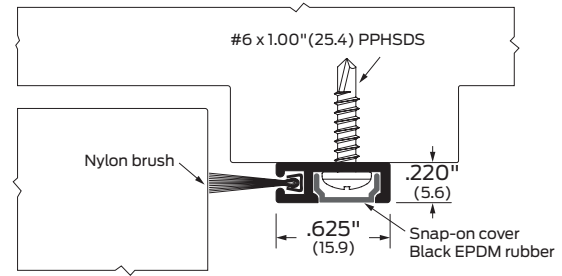
Appendix

8193



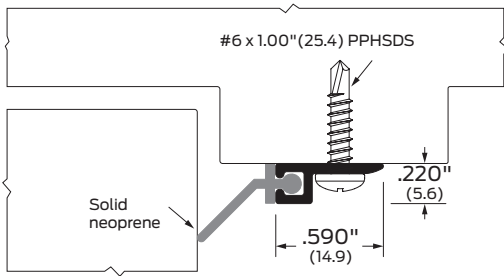
Finishes: AA, BK, D, G Options: PSA, S, SEC ANSI/BHMA: 8193AA, 8193BK, 8193D, 8193G R3A166

8879



Finishes: AA, BK, D, G Options: PSA, S, SEC ANSI/BHMA: 8879AA, 8879BK, 8879D, 8879G R3A166

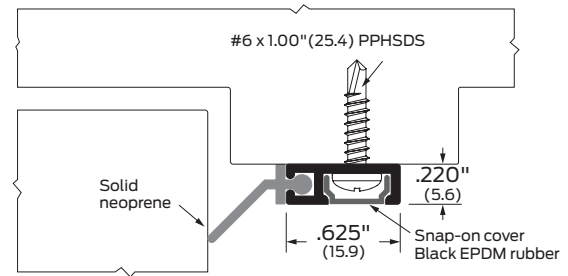
8302



Finishes: AA, BK, D, G Options: S, SEC ANSI/BHMA: 8302AA, 8302BK, 8302D, 8302G R3B164

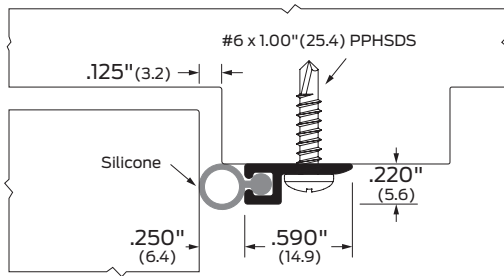


8877



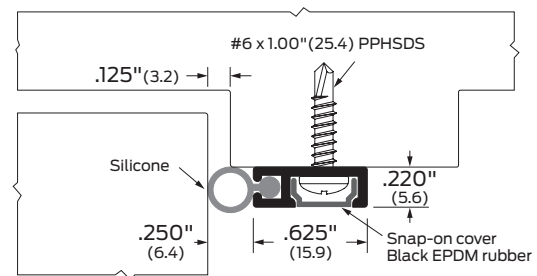
Finishes: AA, BK, D, G Options: S, SEC ANSI/BHMA: 8877AA, 8877BK, 8877D, 8877G R3B164

8303



Finishes: AA, BK, D, G Options: S, SEC ANSI/BHMA: 8303AA, 8303BK, 8303D, 8303G R3E164

8878



Finishes: AA, BK, D, G Options: S, SEC ANSI/BHMA: 8878AA, 8878BK, 8878D, 8878G R3E164

See Perimeter seals Accessories & options page for details.

Finishes:

- AA** Aluminum clear anodized
- BK** Aluminum black anodized
- D** Aluminum dark bronze anodized
- G** Aluminum gold anodized

Options:

- PSA** Pressure-sensitive adhesive
- S** Order as a set
- SEC** Security screws

Note:

All items on this page:

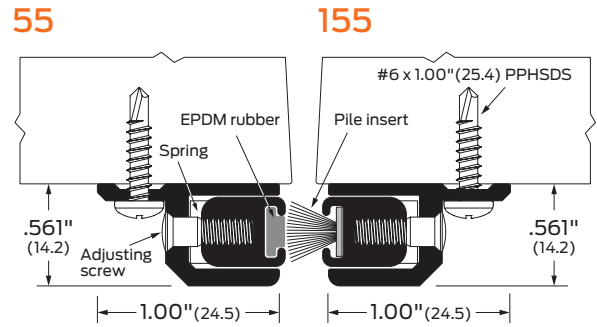
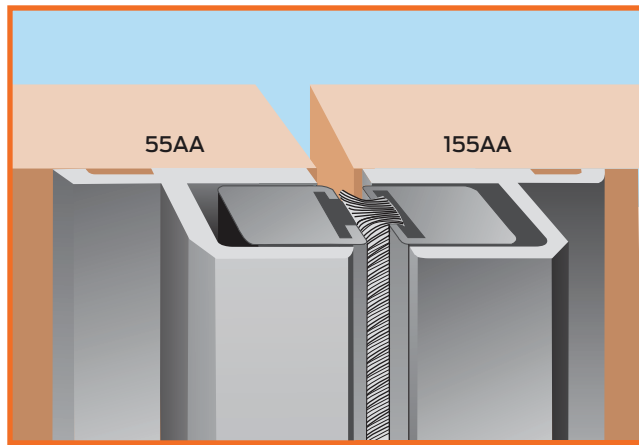


Perimeter seals

Meeting stiles

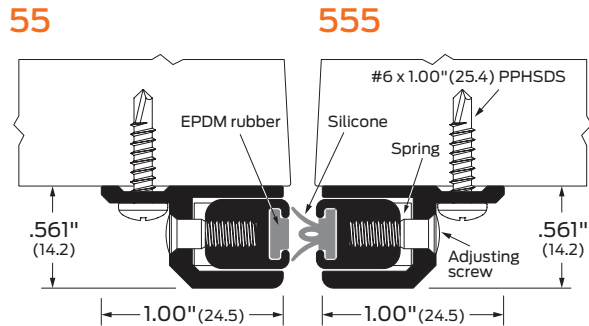


Adjustable surface-mounted meeting stiles for beveled doors, both doors active



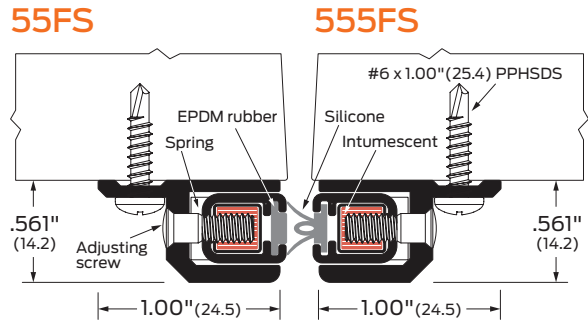
Finishes: AA, BK, D, G Option: SEC ANSI/BHMA: 55AA/155AA, 55BK/155BK, 55D/155D, 55G/155G R3F836

Fire-rated as a set—both models required. Order models separately.



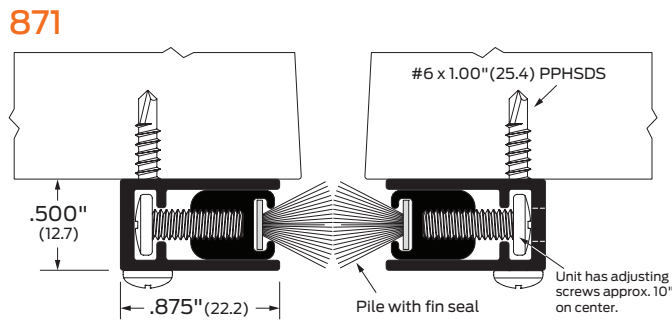
Finishes: AA, BK, D, G Option: SEC ANSI/BHMA: 55AA/555AA, 55BK/555BK, 55D/555D, 55G/555G R3E834

Fire-rated as a set—both models required. Order models separately.

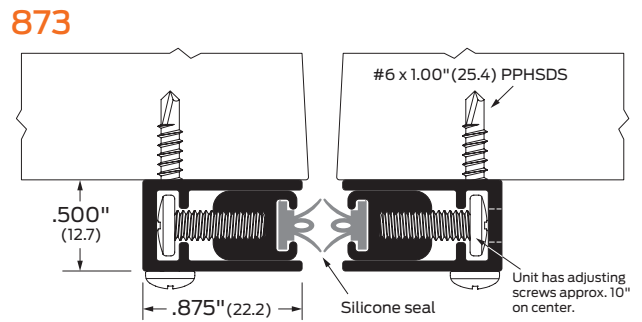


Finishes: AA, BK, D, G Option: SEC ANSI/BHMA: 55FS-AA/555FS-AA, 55FS-BK/555FS-BK, 55FS-D/555FS-D, 55FS-G/555FS-G R3U834

Fire-rated as a set—both models required. Order models separately.



Finishes: AA, BK, D, G Options: S, SEC ANSI/BHMA: 871AA, 871BK, 871D, 871G R3F835



Finishes: AA, BK, D, G Option: SEC ANSI/BHMA: 873AA, 873BK, 873D, 873G R3E834

All items on this page:



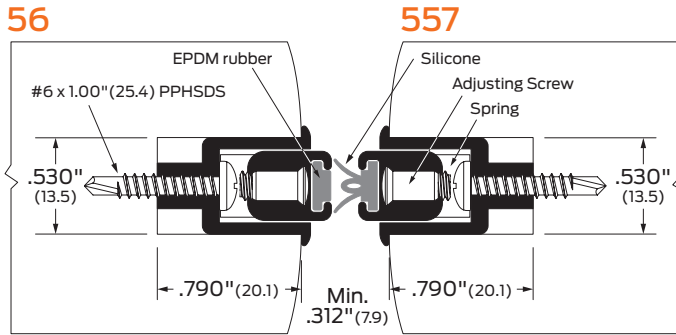
See Perimeter seals Accessories & options page for details.

Finishes:	Options:	Note:
AA Aluminum clear anodized	S Order as a set	Follow NPFA 80 requirements for fire door clearances.
BK Aluminum black anodized	SEC Security screws	
D Aluminum dark bronze anodized		
G Aluminum gold anodized		



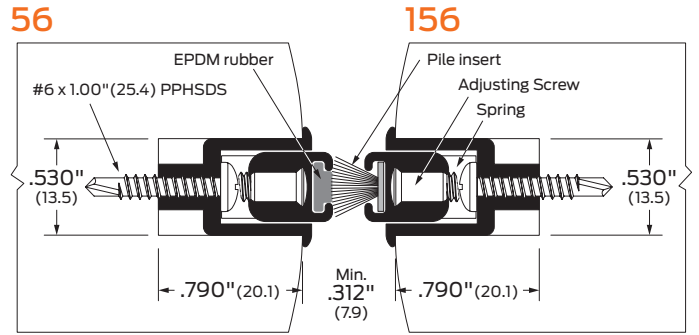
Meeting stiles

Adjustable mortised meeting stiles for bull-nosed doors, both doors active



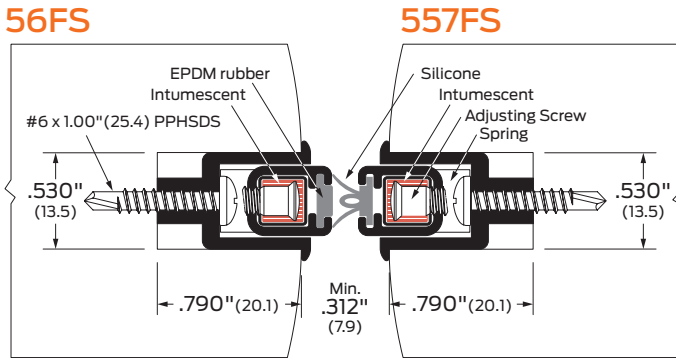
Finishes: ANSI/BHMA:
AA, BK, 56AA/557AA, 56BK/557BK, 56D/557D, 56G/557G R3E824
D, G

Order models separately.



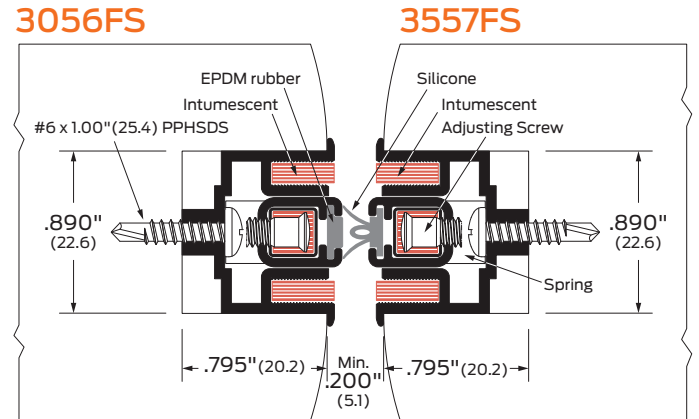
Finishes: ANSI/BHMA:
AA, BK, 56AA/156AA, 56BK/156BK, 56D/156D, 56G/156G R3F825
D, G

Order models separately.



Finishes: ANSI/BHMA:
AA, BK, 56FS-AA/ 557FS-AA, 56FS-BK/ 557FS-BK,
D, G 56FS-D/ 557FS-D, 56FS-G/ 557FS-G R3U824

Order models separately.



Finishes: ANSI/BHMA:
AA, BK, 3056FS-AA/ 3557FS-AA, 3056FS-BK/ 3557FS-BK,
D, G 3056FS-D/ 3557FS-D, 3056FS-G/ 3557FS-G R3U824

Fire-rated as a set—both models required. Order models separately.

All items on this page:



See Perimeter seals Accessories & options page for details.

Finishes:

- AA** Aluminum clear anodized
- BK** Aluminum black anodized
- D** Aluminum dark bronze anodized
- G** Aluminum gold anodized

Note:

Follow NFPA 80 requirements for fire door clearances.

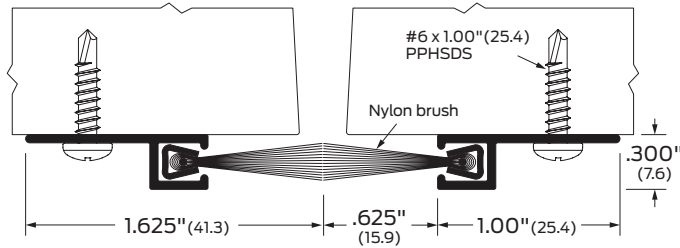
Perimeter seals

Meeting stiles

Surface-mounted meeting stiles for beveled doors, both doors active

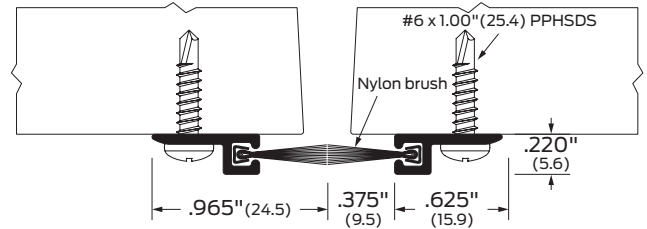


8192



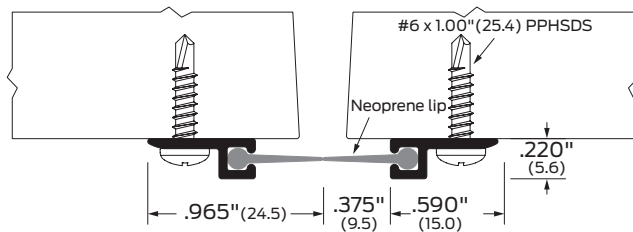
Finishes: AA, BK, D, G
Options: PSA, SEC
ANSI/BHMA: 8192AA, 8192BK, 8192D, 8192G
R3A735

8193



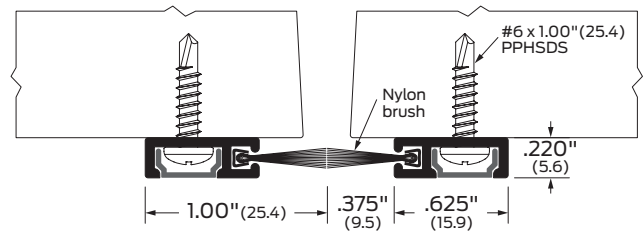
Finishes: AA, BK, D, G
Options: PSA, SEC
ANSI/BHMA: 8193AA, 8193BK, 8193D, 8193G
R3A735

8194



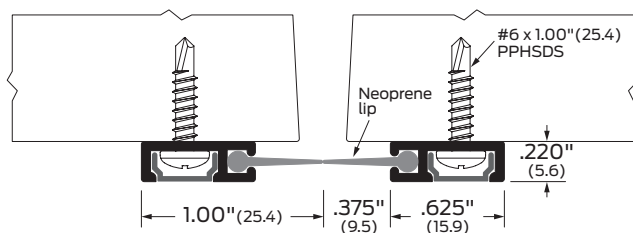
Finishes: AA, BK, D, G
Options: PSA, SEC
ANSI/BHMA: 8194AA, 8194BK, 8194D, 8194G
R3B734

8879



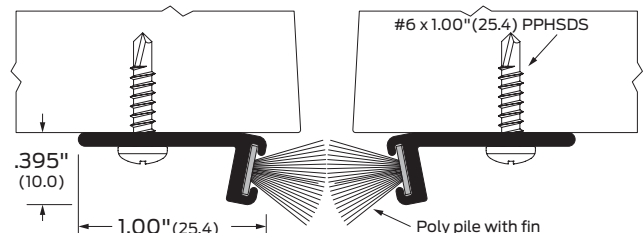
Finishes: AA, BK, D, G
Options: PSA, S, SEC
ANSI/BHMA: 8879AA, 8879BK, 8879D, 8879G
R3A735

8195



Finishes: AA, BK, D, G
Options: PSA, SEC
ANSI/BHMA: 8195AA, 8195BK, 8195D, 8195G
R3B734

98



Finishes: A, BK, D, G
Options: PSA, S, SEC
ANSI/BHMA: 98A, 98BK, 98D, 98G
R3F735

All items on this page:



See Perimeter seals Accessories & options page for details.

Finishes:	Options:
AA Aluminum clear anodized	PSA Pressure-sensitive adhesive
BK Aluminum black anodized	S Order as a set
D Aluminum dark bronze anodized	SEC Security screws
G Aluminum gold anodized	

Note:
For stile applications order two of each model, or mix and match models if desired.

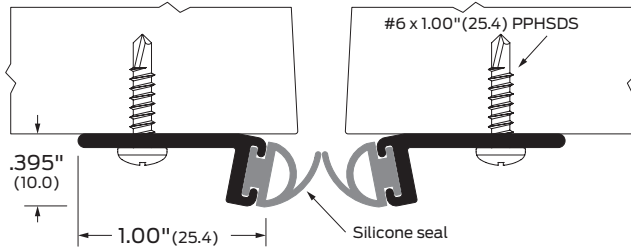
Follow NFPA-80 requirements for fire door clearances.



Meeting stiles

Surface-mounted meeting stiles for beveled doors, both doors active

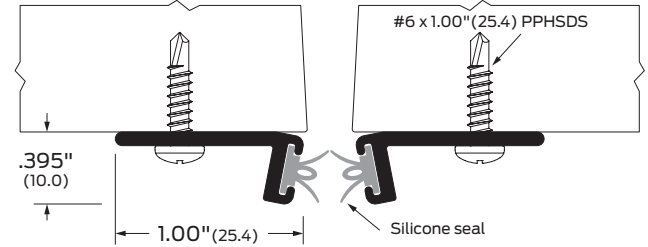
99



Finishes: A, BK, D, G
Options: ZAG, S, SEC
ANSI/BHMA: 99A, 99BK, 99D, 99G
R3E735



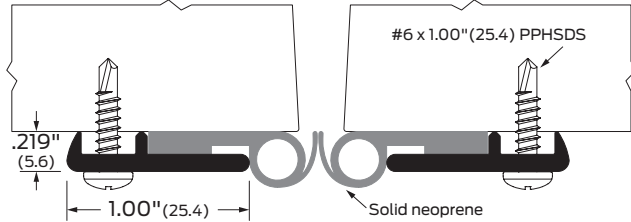
100



Finishes: A, BK, D, G
Options: S, SEC
ANSI/BHMA: 100A, 100BK, 100D, 100G
R3E734



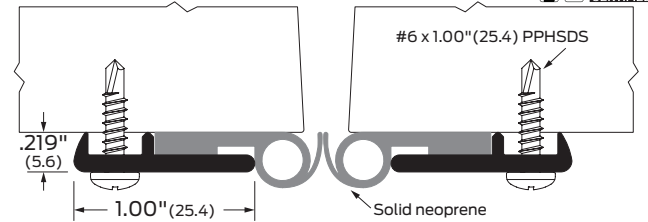
326



Finishes: AA, BK, D, G, B, B-ORB
Options: ZAG, S, SEC
ANSI/BHMA: 326AA, 326BK, 326D, 326G
R3B735



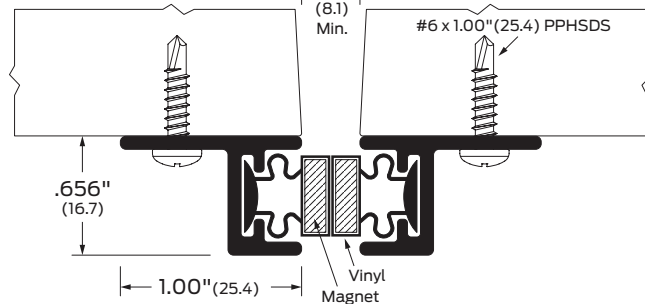
328



Finishes: AA, BK, D, G, B, B-ORB
Options: ZAG, S, SEC
ANSI/BHMA: 328AA, 328BK, 328D, 328G
R3B735



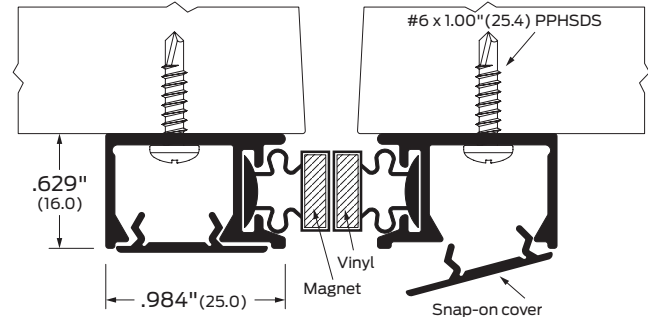
370



Finishes: A, BK, D, G
ANSI/BHMA: 370A, 370BK, 370D, 370G
R3L734

Magnetic meeting stiles for use with metal interior doors only. Available to order as engineering special.

375



Finishes: AA, BK, D, G
ANSI/BHMA: 375AA, 375BK, 375D, 375G
R3L734

Magnetic meeting stiles for use with metal interior doors only. Available to order as engineering special.

All items on this page:



See Perimeter seals Accessories & options page for details.

Finishes:

- A** Aluminum mill finish
- AA** Aluminum clear anodized
- BK** Aluminum black anodized
- D** Aluminum dark bronze anodized
- G** Aluminum gold anodized
- B** Bronze, architectural mill finish
- B-ORB** Oil-rubbed aged bronze

Options:

- ZAG** Ligature resistant gasketing
- S** Order as a set
- SEC** Security screws

Note:

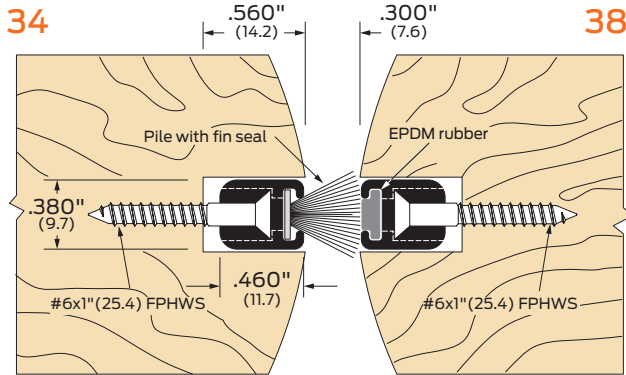
For stile applications order two of each model, or mix and match models if desired.

Follow NFPA-80 requirements for fire door clearances.

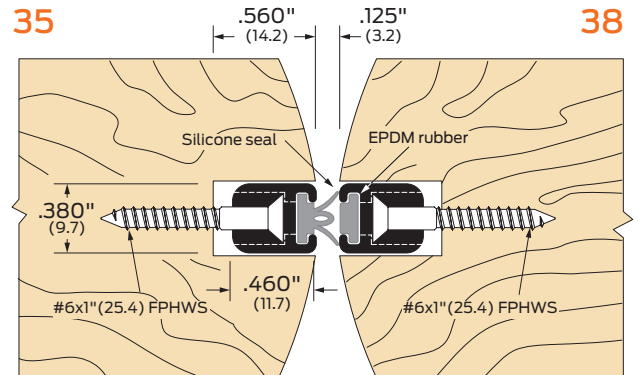
Perimeter seals

Meeting stiles

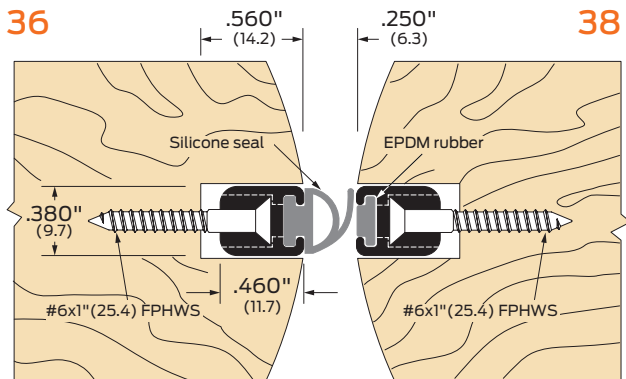
Mortised meeting stiles for bull-nosed doors, both doors active



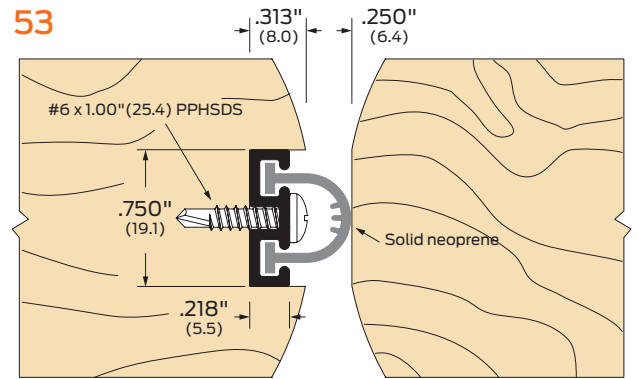
Finishes: ANSI/BHMA:
AA, BK, 34AA, 34BK, 34D, 34G R3F825
D, G
Order models separately.



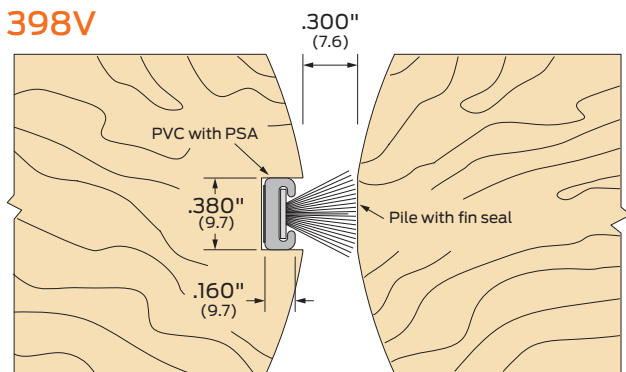
Finishes: ANSI/BHMA:
AA, BK, 35AA, 35BK, 35D, 35G R3E824
D, G
Order models separately.



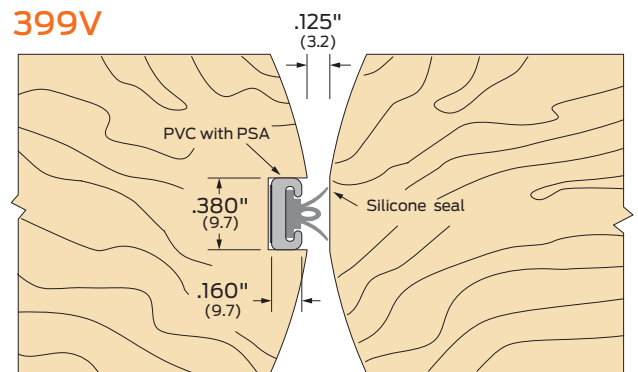
Finishes: ANSI/BHMA:
AA, BK, 36AA, 36BK, 36D, 36G R3E824
D, G
Order models separately.



Finish: A
Option: SEC
ANSI/BHMA: 53A R3B724



Finish: Solid PVC-brown. Supplied standard with PSA
ANSI/BHMA: 398V R3F725



Finish: Solid PVC-brown. Supplied standard with PSA
ANSI/BHMA: 399V R3E725

See Perimeter seals Accessories & options page for details.

- | | |
|--|----------------------------|
| Finishes: | Option: |
| A Aluminum mill finish | SEC Security screws |
| AA Aluminum clear anodized | |
| BK Aluminum black anodized | |
| D Aluminum dark bronze anodized | |
| G Aluminum gold anodized | |

Note:
Follow NFPA-80 requirements for fire door clearances.

All items on this page:

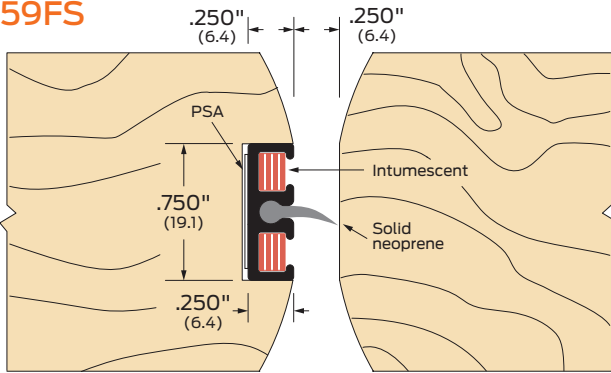




Meeting stiles

Mortised meeting stiles for bull-nosed doors, both doors active

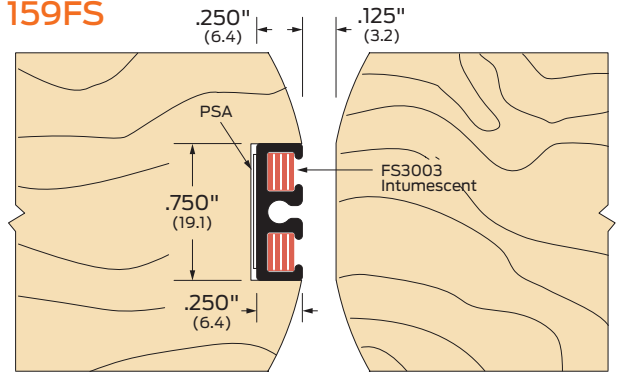
59FS



Finishes: ANSI/BHMA:
A 59FS-A R3R724

Supplied standard with PSA.

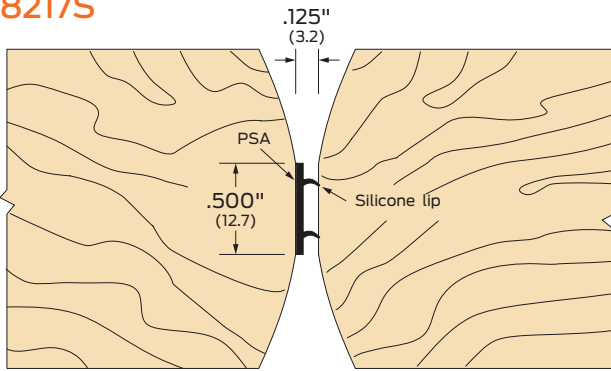
159FS



Finishes: ANSI/BHMA:
A 159FS-A R3P724

Supplied standard with PSA.

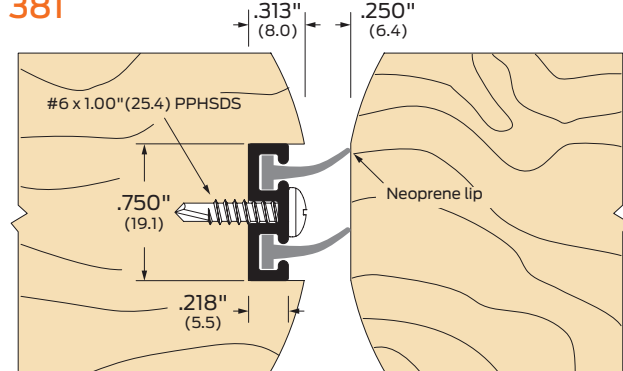
8217S



Finishes: ANSI/BHMA:
S-BK 8217S R0E716
Black silicone

Very low profile, for door pairs with very small clearance.
Also suitable for glass doors. Supplied standard with PSA.

381



Finishes: Options: ANSI/BHMA:
A FLO, SEC 381A R3B724

All items on this page:



See Perimeter seals Accessories & options page for details.

Finishes:

- A** Aluminum mill finish
- S-BK** Black silicone

Options:

- FLO** Air flow/ sound block
- SEC** Security screws

Note:

- See Ives catalog for door coordinators.
- Follow NFPA-80 requirements for fire door clearances.

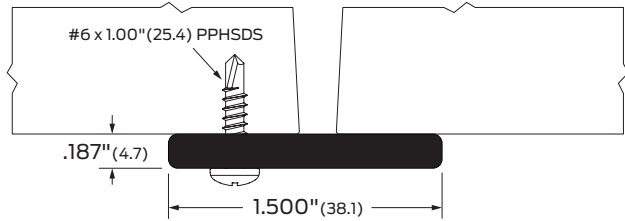
Perimeter seals

Meeting stiles

Astragals — One door active or coordinating doors



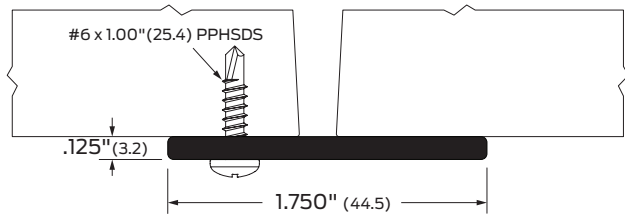
905



Finishes: AA, BK, D, G
 Option: SEC
 ANSI/BHMA: 905AA, 905BK, 905D, 905G
 R3Y636



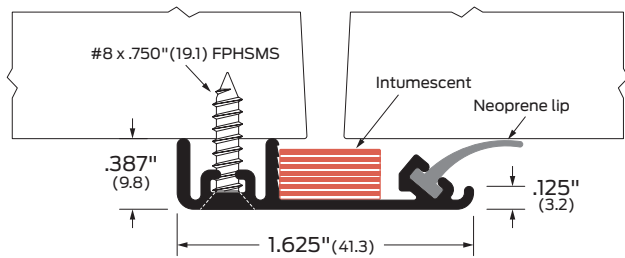
47



Finishes: AA, BK, D, G
 Option: SEC
 ANSI/BHMA: 47AA, 47BK, 47D, 47G
 R3Y636



383FS

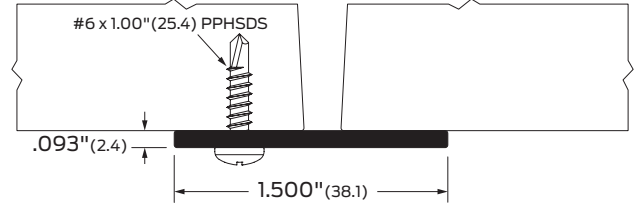


Finishes: AA, BK, D, G
 Option: SEC
 ANSI/BHMA: 383FS-AA, 383FS-BK, 383FS-D, 383FS-G
 R3B634

90 minute max fire rating



44

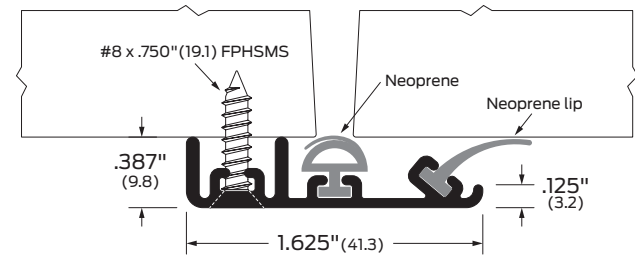


Finish: STST
 Option: SEC
 ANSI/BHMA: 44STST
 R5Y636

Stainless steel finish only.



383

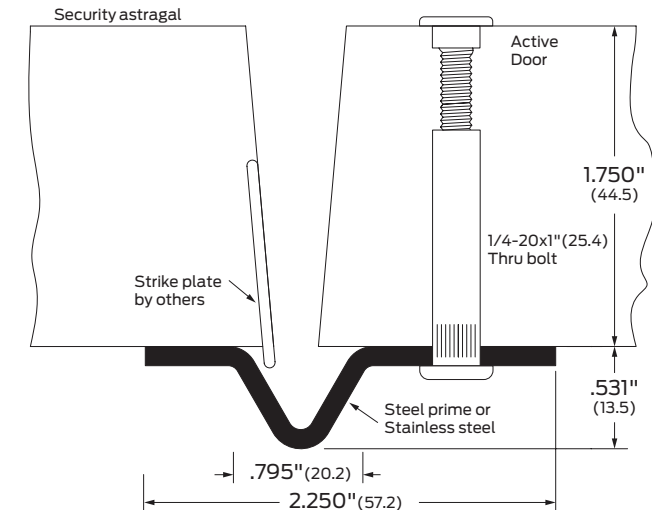


Finishes: AA, BK, D, G
 Option: SEC
 ANSI/BHMA: 383AA, 383BK, 383D, 383G
 R3B634

90 minute max fire rating



43



Finishes: SP, STST
 Option: SEC
 ANSI/BHMA: 43SP, 43STST
 R0Y636



See Perimeter seals Accessories & options page for details.

Finishes:	Option:
A Aluminum mill finish	SEC Security screws
AA Aluminum clear anodized	
BK Aluminum black anodized	
D Aluminum dark bronze anodized	
G Aluminum gold anodized	
SP Steel primed	
STST Stainless steel	

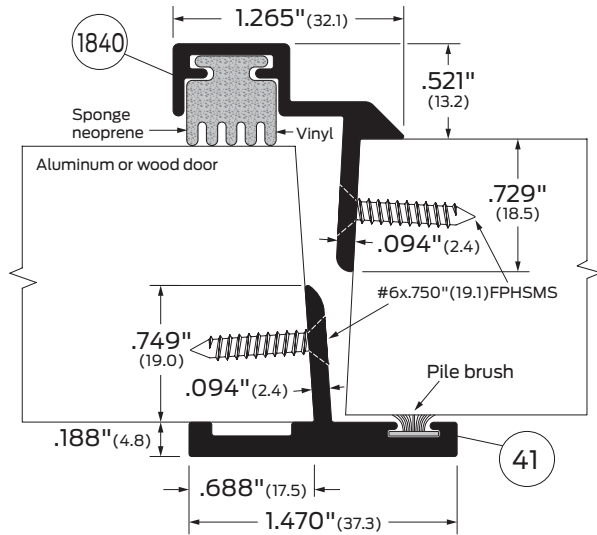
Note:
 See Ives catalog for door coordinators.
 Follow NFPA 80 requirements for fire door clearances.



Meeting stiles

Astragals — One door active or coordinating doors

1840/41



1840

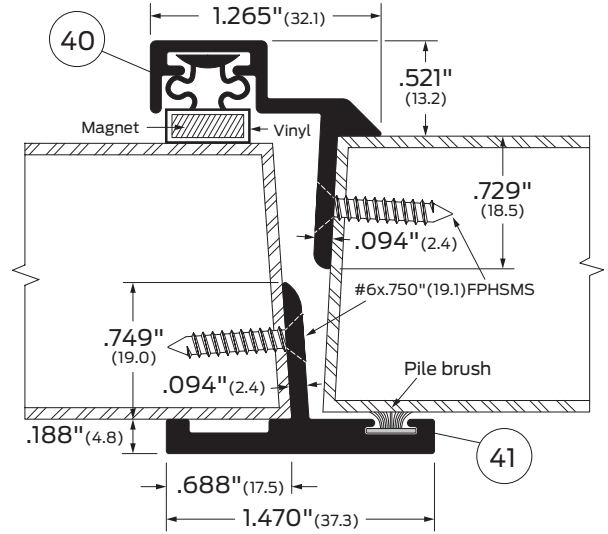
Finishes: ANSI/BHMA:
AA, BK, 1840AA, 1840BK, 1840D, 1840G R3C635
D, G
Astragal, inswing.

41

Finishes: ANSI/BHMA:
AA, BK, 41AA, 41BK, 41D, 41G R3F636
D, G



40/41



40

Finishes: ANSI/BHMA:
AA, BK, 40AA, 40BK, 40D, 40G R3L635
D, G

Magnetic astragal, inswing. For use on interior metal doors only. Available to order as engineering special.

All items on this page:



See Perimeter seals Accessories & options page for details.

Finishes:

- AA** Aluminum clear anodized
- BK** Aluminum black anodized
- D** Aluminum dark bronze anodized
- G** Aluminum gold anodized

Note:

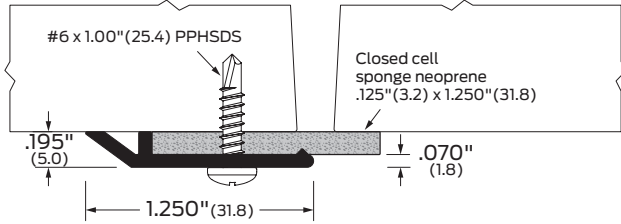
See Ives catalog for door coordinators.

Perimeter seals

Meeting stiles

Astragals – One door active or coordinating doors

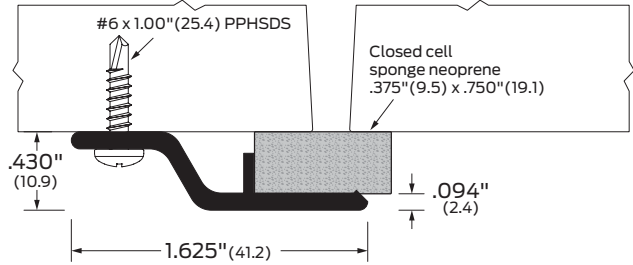
139



Finishes: A, BK, D, G Options: S, SEC ANSI/BHMA: 139A, 139BK, 139D, 139G R3C634



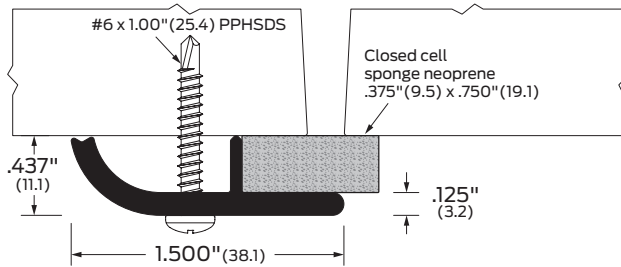
140



Finishes: A, BK, D, G Options: S, SEC ANSI/BHMA: 140A, 140BK, 140D, 140G R3C634



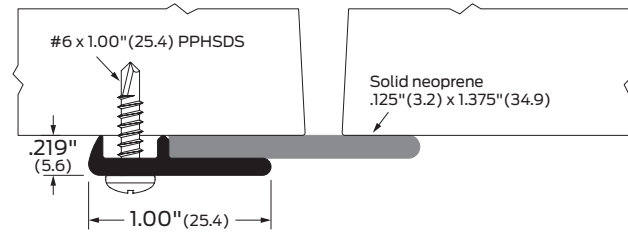
322



Finishes: A, BK, D, G Options: S, SEC ANSI/BHMA: 322A, 322BK, 322D, 322G R3C164 R3C634



339



Finishes: AA, BK, D, G, B, B-ORB Option: SEC ANSI/BHMA: 339AA, 339BK, 339D, 339G R3B634 R1B634



All items on this page:



See Perimeter seals Accessories & options page for details.

Finishes:

- A** Aluminum mill finish
- AA** Aluminum clear anodized
- BK** Aluminum black anodized
- D** Aluminum dark bronze anodized
- G** Aluminum gold anodized
- B** Bronze, architectural mill finish
- B-ORB** Oil-rubbed aged bronze

Options:

- S** Order as a set
- SEC** Security screws

Note:

See Ives catalog for door coordinators.



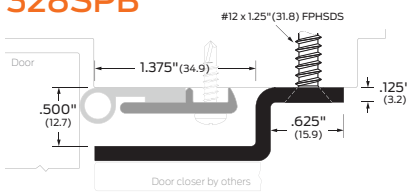
Specialized solutions

Door closer mounting brackets

These mounting brackets can be used to protect gasketing when installed with an LCN® door closer or with products supplied by other manufacturers. See the table below to determine which bracket model to use with a chosen gasketing model.

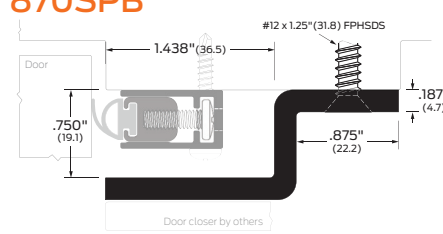


328SPB



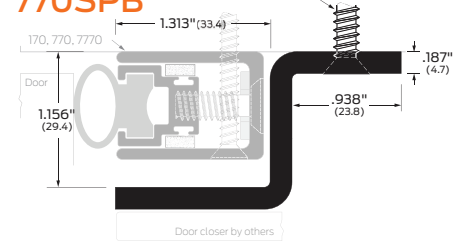
Finishes:
Steel-prime painted
Door closer mounting bracket 6" (152.4) long

870SPB



Finishes:
Steel-prime painted
Door closer mounting bracket 6" (152.4) long

770SPB



Finishes:
Steel-prime painted
Door closer mounting bracket 6" (152.4) long

Compatible gasketing for door closer brackets

328SPB		870SPB		770SPB	
Height	Width	Height	Width	Height	Width
.500"	1.375"	.750"	1.438"	1.156"	1.313"
31, 32, 33, 50, 58FS, 98, 99, 100, 139, 312, 314, 326, 328, 475, 485, 5831, 5831FS, 5832, 5832FS, 5833, 8193, 8302, 8303, 8305, 8306, 8877, 8878, 8879		270, 272, 318, 322, 370, 375, 376, 470, 472, 478, 712, 870, 871, 873, 1370		170, 770, 3708, 3709, 770FS, 770SP, 770STST, 7770	

All items on this page:



Perimeter seals

Notes





Weatherstripping

Door sealing systems



Weatherstripping Index



Accessories and options

Finishes/Options	92
------------------------	----

Kerf frame weatherstripping

8810S	94
8800S	94
8052N	94
8812S	94
8841R	94
8004N	94
8043N	95
8048S	95
8054S	95
8055S	95
8056S	95
8053Q	95

Self-adhesive weatherstripping

Solid neoprene and silicone seals

188S/188FS/188BIO	96
8144S/8144FS	96
8042S	96
488S/488FS/488BIO	96
8145S	96
824N	96
8216S	97
117S	97
8150S	97

Closed cell sponge neoprene seals

8172N	97
8770N	97
312N	97
8780N	97
139N	97
826N	97
926N	97
318N	97
3708N	97
2070N	98
810N	98
811N	98
812N	98
813N	98

Pile brush seals

137P	98
8136P	98
34P	98

Weatherstripping for doors and windows

Cushion-spring seals for wood doors and frames

18	99
19	99
19W	99
118	99
119	99
119W	99

Jamb seals for double-hung wood windows

4	99
5	99
400	99
500	99
4000	99
5000	99

PSA Weatherstripping for glass doors

PVC glass edge protection for swinging and sliding doors

135	100
136	100

Poly pile seals with PVC and polycarbonate housings – for swinging and sliding doors

137	100
138	100
8136	100
8137	100
8138	100

Edge protection for glass sliding doors

135/137	101
136/138	101
137P	101
9137	101
9131	101

Astragals for swinging doors

133	101
134	101

Glass door meeting stiles—surface mounted self-adhesive, both doors active

8192	102
8193	102
98	102
8194	102

Weatherstripping Introduction

Designed for durability and optimal performance

Zero offers a comprehensive selection of kerf seals and pressure-sensitive adhesive (PSA) rubber seals in a variety of materials.

With a broad portfolio, Zero offers solutions for a variety of challenging applications. Zero's unique profiles and versatile shapes deliver the best performance for common sealing challenges.

- Metal weatherstripping enables specifiers to optimize sealing solutions for a wide range of door and double-hung window applications.
- Glass door weatherstripping includes solutions for sliding and swinging glass doors.

Special features, such as state of the art adhesive, set Zero apart. Our PSA products are constructed using the highest-quality self-adhesives for superior adhesion even when the surface is contaminated with oil. Making them perfect for applications where budget or installation factors favor the use of PSA gasketing. Thoughtful engineering and design details include a subtle indentation in the extruded profile of Zero tear drop seals that enhances the wrap of the rubber for a tighter seal.

A variety of material options are available to customize a solution for the specific needs of your application.

- Silicone rubber can handle many applications including those with temperature extremes (S)
- Neoprene rubber a versatile material for heavy duty applications (N)
- Intumescent for fire and smoke protection (FS)
- BioWall rubber with anti-microbial inhibitor for infection control (BIO)
- EPDM rubber excellent for outdoor use (R)
- Vinyl Covered Foam (Q)

High quality self adhesive

- Strong initial adhesion
- Long term holding power
- Holds well even on contaminated surfaces

Most Zero weatherstripping products use best-in-class 3M 9495LE adhesive tape.



Weatherstripping

Accessories and options



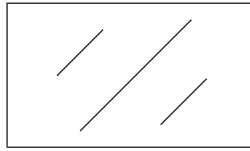
Finishes



BK
Black



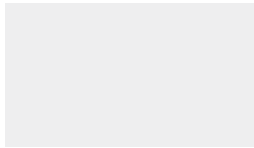
BR
Brown



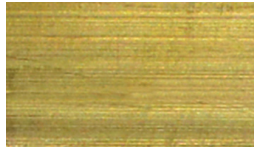
CL
Clear



GY
Gray



WH
White



B
Bronze, Architectural
Mill Finish



Z
Zinc Mill Finish

Options

PSA Pressure-sensitive adhesive

ZAG Ligature-resistant gasketing

Pressure-sensitive adhesive (PSA)

Many weatherstripping products are supplied standard with a high quality 3M adhesive. PSA is also available as an option on other models. See profile for information on standard or optional PSA.

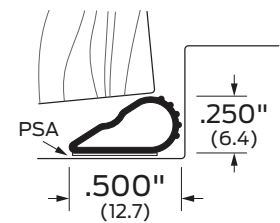
Ligature-resistant gasketing (ZAG)

This patented ligature-resistant option prevents unintended usage of the gasketing, including harming oneself or others. When ZAG is specified, the rubber is scored before insertion into the aluminum extrusion. This allows the seal to function as intended, but it will now break apart if removal is attempted or any weight is placed on the seal.

Fasteners

Metal weatherstripping is supplied with the appropriate fasteners and quantities needed for installation based on order length. Use the part numbers below for ordering additional screws.

Models	Category	Part number	Finish	Details
4, 5, 18, 19, 19W, 23, 400, 500, 4000, 5000	Metal weatherstripping	47253928	B, Z	10 Nails #16 x 7/8" and 10 Wafer head drive screws #4 x 5/16"



188 ZAG

188-ZAG

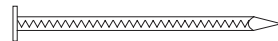


318N-ZAG



For hollow metal doors

#4 x 5/16" wafer-head drive screws
used for installation on metal doors



For wood doors

#16 x 7/8" weatherstrip nails used
for installation on wood doors



Weatherstripping order guide

How to order

	Model	Finish	Length	Options
	188S	BK	17	
Models				
Example				
5				
19W				
188S				
318N				
4000				
824N				
Finishes*				
B - Architectural mill finish Bronze				
BK - Black				
BR - Brown				
CL - Clear				
GY - Gray				
WH - White				
Z - Mill finish Zinc				
<small>*See profile for finish options.</small>				
Length				
For all lengths, specify feet desired US std. measure.				
Example common Weatherstripping rolls:				
17 - 17' roll for std. 3070 door				
18 - 18' roll				
19 - 19' roll				
20 - 20' roll for std. double door				
25 - for double doors to 8' wide x 8' high				
Options				
PSA - Pressure sensitive adhesive, standard on some models				
ZAG - Ligature-resistant				

Thresholds

Automatic door bottoms

Perimeter seals

Weatherstripping

Intumescent

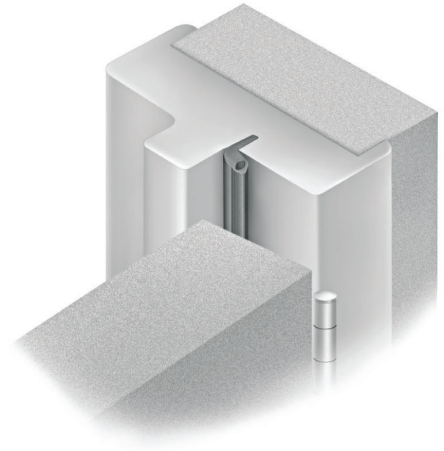
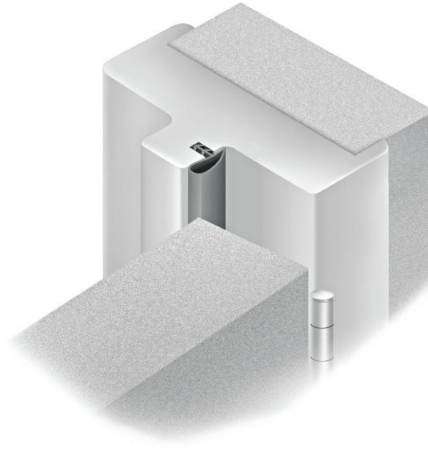
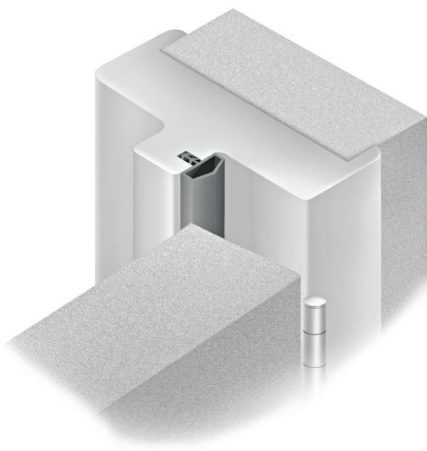
Sound control

Specialty applications

Appendix

Weatherstripping

Kerf frame weatherstripping

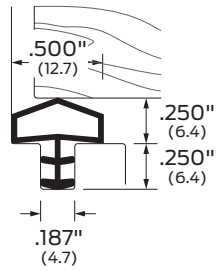


8810

8800

8052

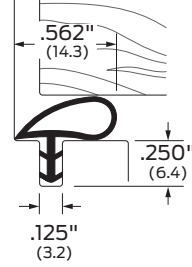
8810S



Finishes: BK, WH
ANSI/BHMA: 8810S
ROE186



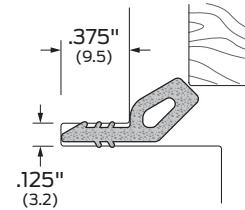
8800S



Finish: BK
ANSI/BHMA: 8800S
ROE186



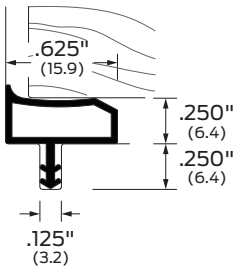
8052N



Finish: BK
ANSI/BHMA: 8052N
ROC186
Closed cell sponge neoprene rubber.



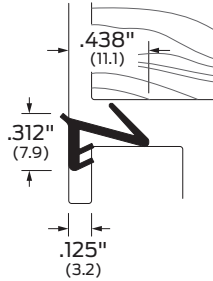
8812S



Finish: BK
ANSI/BHMA: 8812S
ROE186



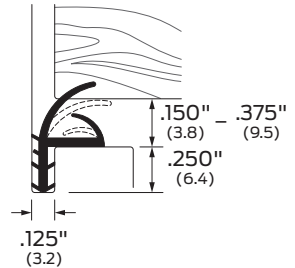
8841R



Finish: BK
ANSI/BHMA: 8841R
ROJ186

EPDM rubber.

8004N



Finish: BK
ANSI/BHMA: 8004N
ROB186



All items on this page:



See Weatherstripping Accessories & options page for details.

Finishes:

- BK** Black
- WH** White

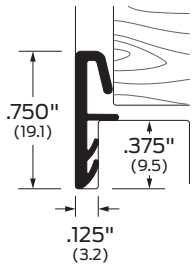
Note:

See door manufacturer specifications for minimum required clearance between door and frame. Most models shown are available in neoprene (N) or silicone (S). Both materials are self-extinguishing and non-staining.



Kerf frame weatherstripping

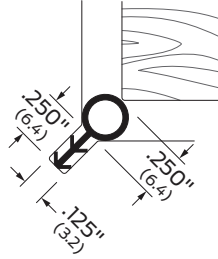
8043N



Finish: BK ANSI/BHMA: 8043N ROE186



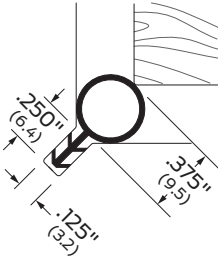
8054S



Finishes: BK, WH ANSI/BHMA: 8054S ROE186



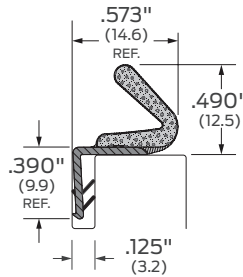
8055S



Finishes: BK, WH ANSI/BHMA: 8055S ROE186



8053Q



Finishes: BR, WH ANSI/BHMA: 8053Q ROY186

Vinyl-covered foam.

All items on this page:



See Weatherstripping Accessories & options page for details.

Finishes:

- BK** Black
- BR** Brown
- WH** White

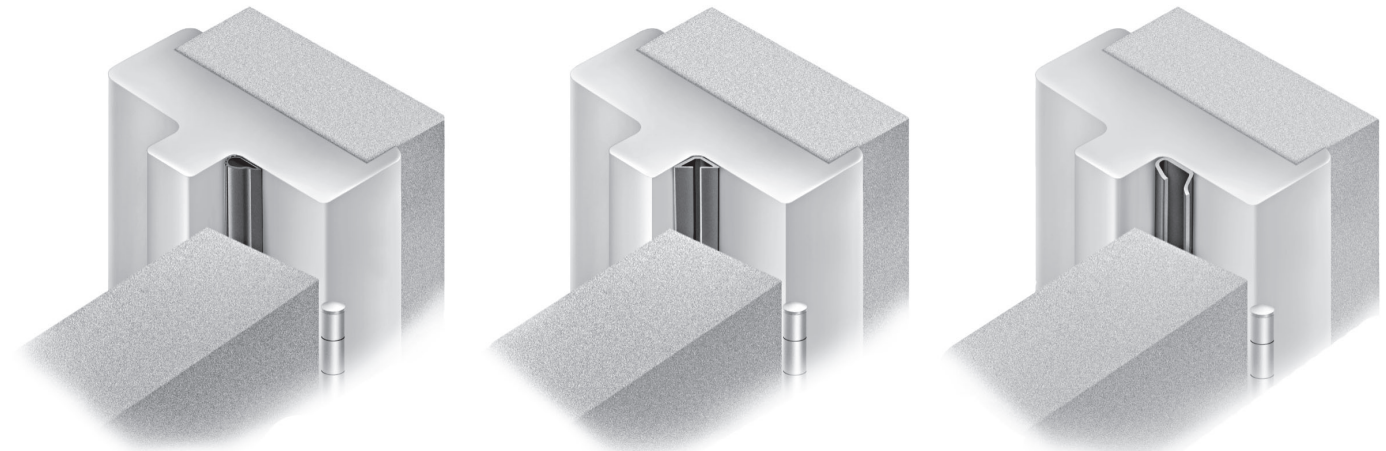
Note:

See door manufacturer specifications for minimum required clearance between door and frame. Most models shown are available in neoprene (N) or silicone (S). Both materials are self-extinguishing and non-staining.

Weatherstripping

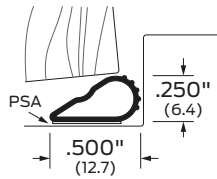
Self-adhesive weatherstripping

Solid neoprene and silicone seals



188 /488

188S/188FS/188BIO



Material/ Finishes:
 S: BK, BR, CL, GY, WH
 FS: BK
 BIO: BR

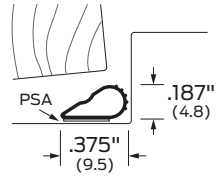
Options:
 ZAG
 ZAG
 ZAG

ANSI/BHMA:
 188S
 ROE151
 188FS
 ROU154

S: PSA standard.
 FS: Intumescent rubber for fire and smoke protection. PSA standard.
 BIO: BioWall antimicrobial rubber. PSA standard.



488S/488FS/488BIO



Material/ Finishes:
 S: BK, BR, CL, GY, WH
 FS: BK
 BIO: BR

Options:
 ZAG
 ZAG
 ZAG

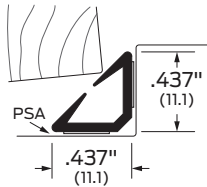
ANSI/BHMA:
 488S
 ROE154
 488FS
 ROU154

S: PSA standard.
 FS: Intumescent rubber for fire and smoke protection. PSA standard.
 BIO: BioWall antimicrobial rubber. PSA standard.



8144

8144S/8144FS



Finishes:
 S: BK
 FS: BK

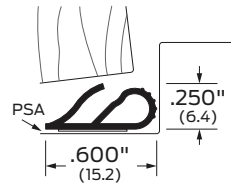
Options:
 ZAG
 ZAG

ANSI/BHMA:
 8144S
 ROE154
 8144FS
 ROU154

S: PSA standard.
 FS: Intumescent rubber for fire and smoke protection. PSA standard.



8145S



Finish:
 BK

Option:
 ZAG

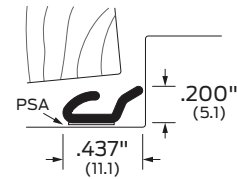
ANSI/BHMA:
 8145S
 ROE154

PSA standard.



8042

8042S



Finish:
 BK

Option:
 ZAG

ANSI/BHMA:
 8042S
 ROE154

PSA standard.



All items on this page:



See Weatherstripping Accessories & options page for details.

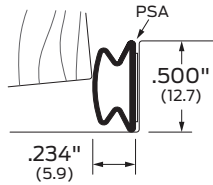
Finishes:		Option:
BK Black		ZAG Ligature-resistant gasketing
BR Brown		
CL Clear		
GY Gray		
WH White		
B Architectural mill finish bronze		



Self-adhesive weatherstripping

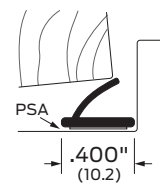
Solid neoprene and silicone seals

8216S



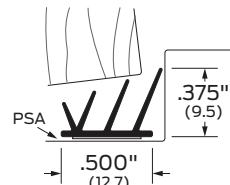
Finish: BK
Option: ZAG
ANSI/BHMA: 8216S ROE154
PSA standard.

117S



Finish: BK
Option: ZAG
ANSI/BHMA: 117S ROE154
PSA standard.

8150S



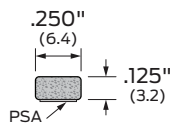
Finish: BK
Option: ZAG
ANSI/BHMA: 8150S ROE154
PSA standard.

8216S, 117S, 8150S:



Closed cell sponge neoprene seals

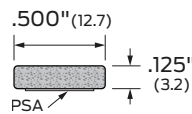
8172N



Finish: BK
Option: ZAG
ANSI/BHMA: 8172N ROC155
PSA standard.



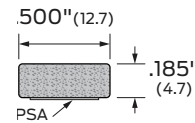
8770N



Finish: BK
Option: ZAG
ANSI/BHMA: 8770N ROC155
PSA standard.



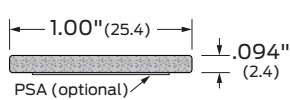
312N



Finish: BK
Option: ZAG
ANSI/BHMA: 312N ROC155
PSA standard.



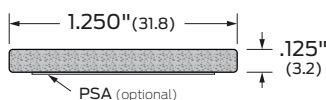
8780N



Finish: BK
Options: PSA, ZAG
ANSI/BHMA: 8780N ROC155
Mullion seal



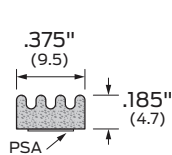
139N



Finish: BK
Options: PSA, ZAG
PSA (optional)



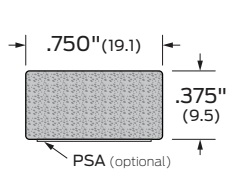
926N



Finish: BK
Options: PSA, ZAG
ANSI/BHMA: 926N ROC155
PSA standard.



318N



Finish: BK
Options: PSA, ZAG
PSA (optional)



See Weatherstripping Accessories & options page for details.

Finish:

BK Black

Options:

PSA Pressure-sensitive adhesive
ZAG Ligature-resistant gasketing

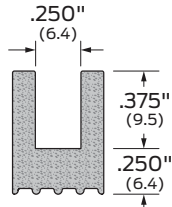
Weatherstripping

Self-adhesive weatherstripping

Closed cell sponge neoprene seals (cont.)

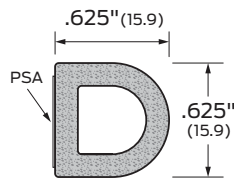



2070N



Finish:
BK

810N

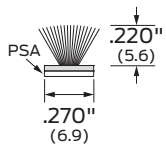


Finish: BK
Option: ZAG 
PSA standard.



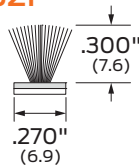
Pile brush seals

137P



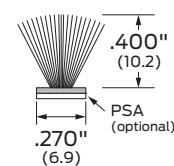
Finishes: BK, GY
Also suitable for glass door application — see Specialized Solutions. PSA standard.

32P



Finishes: BK, GY

34P



Finishes: BK, GY
Option: PSA

See Weatherstripping Accessories & options page for details.

Finishes:

- BK** Black
- CL** Clear
- GY** Gray

Options:

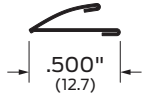
- PSA** Pressure-sensitive adhesive
- ZAG** Ligature-resistant gasketing



Weatherstripping for doors and windows

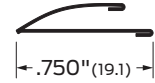
Cushion-spring seals for wood doors and frames

18



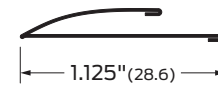
Finish: ANSI/BHMA:
B 18B R1K155
34 gauge bronze spring.

19



Finish: ANSI/BHMA:
B 19B R1K155
34 gauge bronze spring.

19W



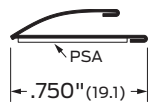
Finish: ANSI/BHMA:
B 19WB R1K155
34 gauge bronze spring.

118



Finish: ANSI/BHMA:
B 118B R1K155
34 gauge bronze spring. PSA Standard.

119



Finish: ANSI/BHMA:
B 119B R1K155
34 gauge bronze spring. PSA Standard.

119W

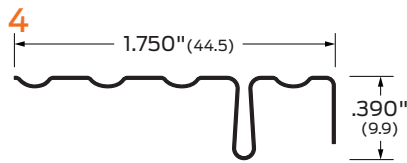


Finish: ANSI/BHMA:
B 119WB R1K155
34 gauge bronze spring. PSA Standard.

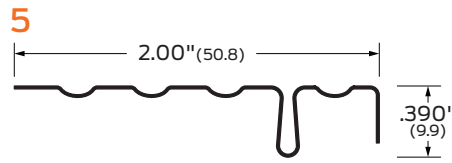
18, 19, 19W, 118, 119, 119W:



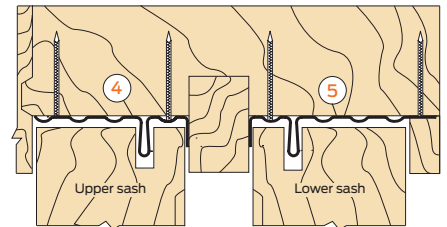
Jamb seals for double-hung wood windows



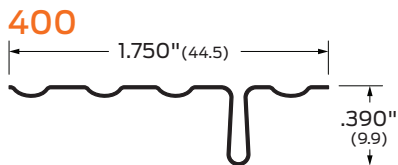
Finishes:
B, Z



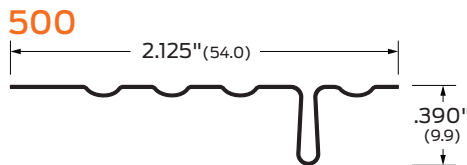
Finishes:
B, Z



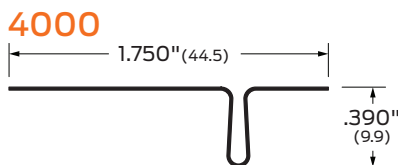
JAMB SECTION



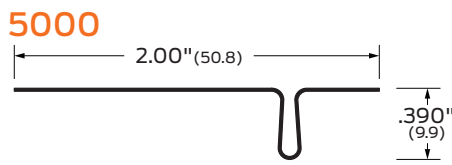
Finishes:
B, Z



Finishes:
B, Z



Finishes:
B, Z



Finishes:
B, Z

See Weatherstripping Accessories & options page for details.

Finishes:

- B** Architectural mill finish bronze
- Z** Mill finish Zinc

Note:

PSA models use highest-quality foam-based, double-sided tape.

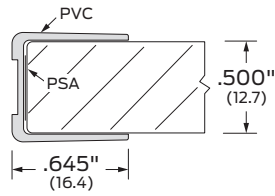
Weatherstripping

PSA Weatherstripping for glass doors



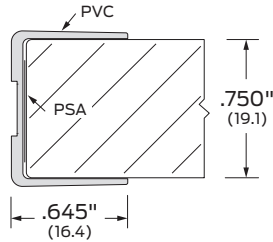
PVC glass edge protection for swinging and sliding doors

135



Finish: ANSI/BHMA:
CL 135 ROY716
For .450" to .500" (12.4mm) doors. PSA standard.

136

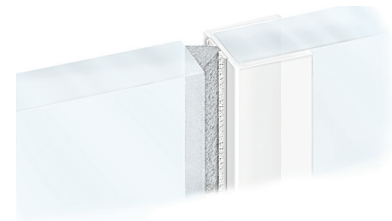


Finish: ANSI/BHMA:
CL 136 ROY716
For .665" to .750" (19.1mm) doors. PSA standard.

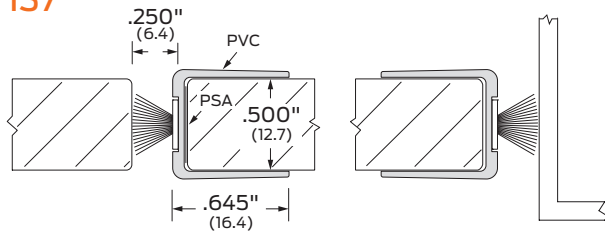


For long door pulls see IVES catalog

Poly pile seals with PVC and polycarbonate housings – for swinging and sliding doors

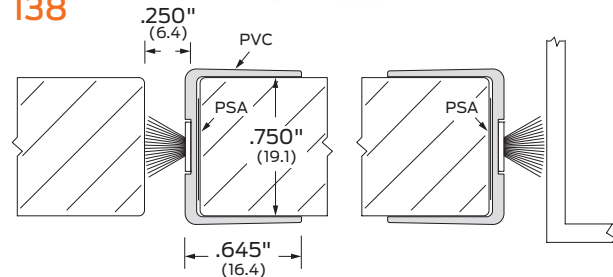


137



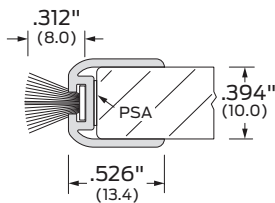
Finish: ANSI/BHMA:
CL 135 ROF716
For .450" to .500" (12.4mm) doors. Clear housing with gray pile brush. PSA standard.

138



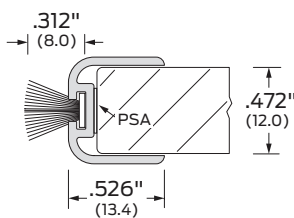
Finish: ANSI/BHMA:
CL 138 ROF716
For .655" to .750" (19.1mm) doors. Clear housing with gray pile brush. PSA standard.

8136



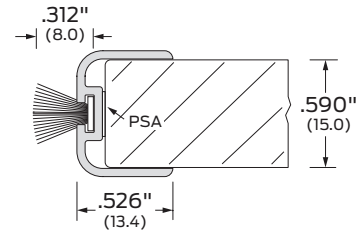
Finish: ANSI/BHMA:
CL 8136 ROF716
For .325" to .394" (10mm) thick doors. Clear housing with gray pile brush. PSA standard.

8137



Finish: ANSI/BHMA:
CL 8137 ROF716
For .425" to .472" (12mm) thick doors. Clear housing with gray pile brush. PSA standard.

8138



Finish: ANSI/BHMA:
CL 8138 ROF716
For .535" to .590" (15mm) thick doors. Clear housing with gray pile brush. PSA standard.

All items on this page:



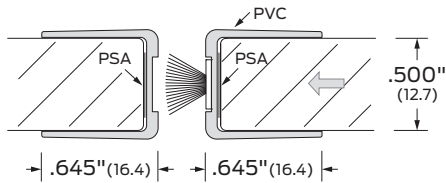
See Weatherstripping Accessories & options page for details.

Finish:
CL Clear

PSA Weatherstripping for glass doors

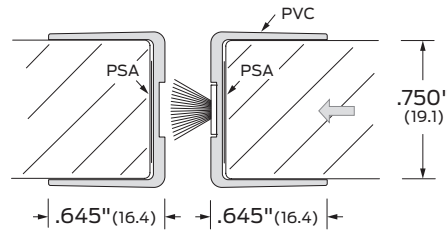
Edge protection for glass sliding doors

135/137



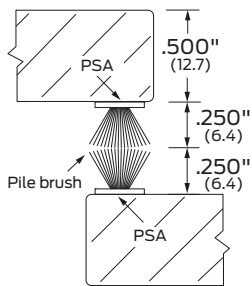
PVC housing and poly pile brush seal for .500" (12.4mm) doors. PSA standard.

136/138



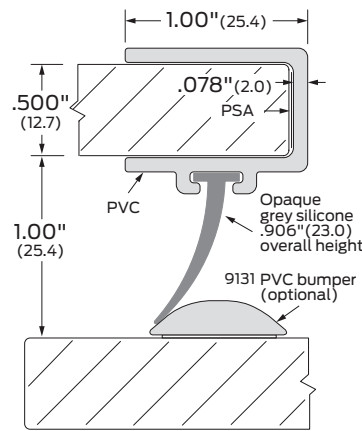
PVC housing with neoprene seal. PSA standard. Min door gap .250", max door gap .340"

137P



Finishes:
BK, GY
Poly pile brush seal for .500" (12.4mm) doors. PSA standard.

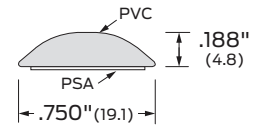
9137



Finish: CL
ANSI/BHMA: 9137 R0E716
For .500" (12.4mm) doors. Application with #9131 PVC bumper. PSA standard. Min door gap .500", max door gap 1" when used without bumper or 1.2" when used with 9131 bumper.



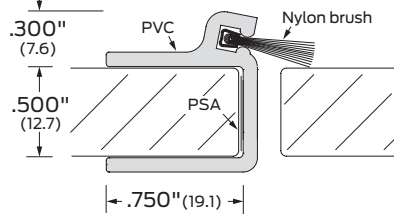
9131



Finish: CL
PVC bumper, PSA standard.

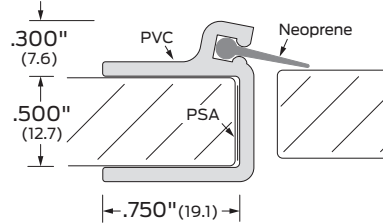
Astragals for swinging doors

133



Finish: CL
PVC housing with black nylon brush. PSA standard. Min door gap .125", max door gap .250"

134



Finish: CL
PVC housing with neoprene seal. PSA standard. Min door gap .125", max door gap .250"

See Weatherstripping Accessories & options page for details.

Finishes:

- BK** Black
- CL** Clear
- GY** Gray

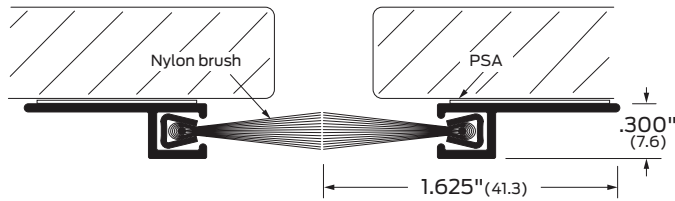
Weatherstripping

PSA Weatherstripping for glass doors

Glass door meeting stiles—surface mounted self-adhesive, both doors active



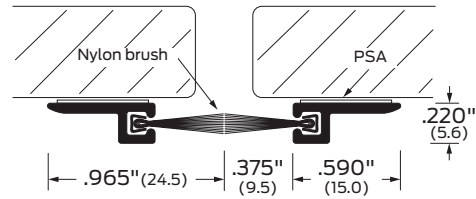
8192-PSA



Finishes: AA, BK, D, G ANSI/BHMA: 8192AA-PSA, 8192BK-PSA, 8192D-PSA, 8192G-PSA R3A735

Min door gap .375", max door gap 1"

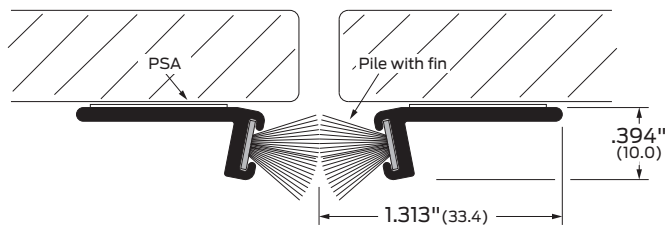
8193-PSA



Finishes: AA, BK, D, G ANSI/BHMA: 8193AA-PSA, 8193BK-PSA, 8193D-PSA, 8193G-PSA R3A735

Min door gap .250", max door gap .700"

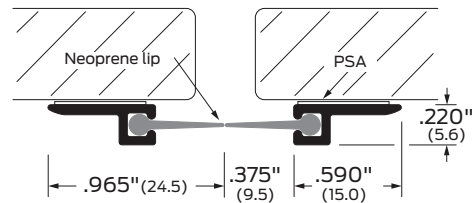
98-PSA



Finishes: A, BK, D, G ANSI/BHMA: 98A-PSA, 98BK-PSA, 98D-PSA, 98G-PSA R3F735

Min door gap .250", max door gap .625"

8194-PSA



Finishes: AA, BK, D, G ANSI/BHMA: 8194AA-PSA, 8194BK-PSA, 8194D-PSA, 8194G-PSA R3B735

Min door gap .250", max door gap .700"

All items on this page:



See Weatherstripping Accessories & options page for details.

Finishes:

A	Aluminum mill finish
AA	Aluminum clear anodized
BK	Aluminum black anodized
D	Aluminum dark bronze anodized
G	Aluminum gold anodized

Option:

PSA	Pressure-sensitive adhesive
------------	-----------------------------

Note:

PSA models use highest-quality foam-based, double-sided tape.



Solutions and specialty products

Door sealing systems



Solutions and specialty products

Index

**Intumescent solutions**

Category G and Category H seals	107
188FS	107
488FS	107
8144FS	107
3062500PSA	107
3062750PSA	107
30621000PSA	107
30621750PSA	107
3125500PSA	107
3125750PSA	107
31251000PSA	107
3250750PSA	107
32501000PSA	107

Intumescent automatic door bottoms

364FS	108
365FS	108

Sound control solutions

Sound trap 52 STC sealing system	110
Sound trap 49 STC sealing system	110
Sound trap system JD6S	111
8880	112
1050R Structural silencing tape	112

ZAG

328 ZAG	114
188 ZAG	114
485 ZAG	114
99 ZAG	114
318 ZAG	114

Cam lift full mortise hinges

Z950	115
Z955	115
Z953	115
Z9500	115

Finger guards

51	116
951	116
72	116
971 Bio	117
972 Bio	117
973 Bio	117
974 Bio	117

ADA Access systems - safety products

8452 Wheelchair accessible shower threshold	118
System ADA 1000	118

Flood barrier shield

2070 (Inside mount)	119
2070 (Outside mount)	119

Sliding and pocket doors

Gasketing for sliding and pocket doors	120
Gasketing for latching pocket doors	120

Seal for mullion application

8780N	120
-------------	-----

Heavy-duty overhead doors

95	121
96	121
93	121
8047R	121

Hurricane protection wind-driven water infiltration (Dade County Florida)

Option 1 - Water rated	122
Option 2	122

“Safe haven” room gasketing and areas of rescue assistance

Option 1	122
Option 2	122

Typical gasketing applications

Typical gasketing for exterior inswing door	123
Typical gasketing for residential	123
Typical gasketing for exterior outswing door	123
Cold weather solution	123

Hotel gasketing solutions

Interior entry doors - option 1	124
Communicating doors - new construction	124
Interior entry doors - option 2	124
Communicating doors- aftermarket	124

Air control systems**Replacement rubber reference chart****Parts index**

Zero solutions

When presented with a challenging application, turn to Zero for solutions designed to perform together for optimal results.

Piecing a solution together across multiple product and manufacturers adds time, complexity and risk. Instead, Zero offers proven solutions for a variety of applications, including: sound control, fire and smoke seals, flood barriers to ADA access systems and more.

- **Fire and smoke seal:** When a positive pressure rating is needed, turn to Zero intumescent seals that are self-extinguishing and flame retardant
- **Sound control:** For single and pairs of doors, Zero offers STC rated sound traps to improve the acoustical performance of your facility
- **ADA access:** For accessible openings Zero offers ADA access systems that minimize opening and closing force and meet ADA threshold height requirements
- **Flood barrier:** Zero's solution for flood prone areas protects from water ingress with a shield that blocks incoming flood waters

For your piece of mind, look to Zero for time proven specialty solutions designed to work together. Zero's commitment to quality and reliability ensure, that at critical moments, the systems you depend on to protect your building and its occupants will perform as intended.



Intumescent solutions



Positive pressure fire solutions for doors

Zero's many years of leadership and innovations in developing fire and smoke seals for international and U.S. positive pressure code requirements have produced top-quality components and engineered gasketing systems that meet the highest standards of design and life safely. Our expertise in intumescent technology provides special value for the entire building team spanning a wide range of fire protection applications.

Zero's positive pressure seals are tested and listed according to U.S. listing agencies' classifications for Category G edge sealing systems and Category H smoke and draft control systems. (See listing at right for category definitions.) Category G edge seals are required for use on Category B wood core doors. Category H smoke seals are required for all positive-pressure doors carrying "S" labels.

Our intumescent material is used in OEM Category A doors to eliminate the need for add-on seals to achieve positive-pressure ratings. Smoke seals may still be required.

Products tested for fire and smoke are identified in our catalog by these symbols:



Fire-rated



Smoke-rated

U.S. Positive pressure testing definition of listing categories

- **CATEGORY A**
Doors - No additional edge-sealing system required
 This category includes doors that do not require the use of any intumescent in either the frame or the door. It also includes doors evaluated with intumescent incorporated into the edge of the door by the manufacturer. Category A doors are eligible to bear the "S" label for Smoke and Draft Control assemblies if a listed Category H "Smoke and Draft Control Gasket" has been applied to the assembly.
- **CATEGORY B**
Doors - Additional edge-sealing system required
 This category includes doors that require add-on intumescent sealing systems either surface-applied or built into the frame in order to meet positive-pressure fire test requirements. Category B doors are eligible to bear the "S" label for Smoke and Draft Control assemblies if a listed Category H "Smoke and Draft Gasket" has been applied to the assembly.
- **CATEGORY G**
Edge-sealing systems
 This category includes systems that are surface-applied (such as kerf applied, adhesive backed or mechanically attached) to frames or doors. It includes meeting edge seals for use in pair and double-egress assemblies.
- **CATEGORY H**
Smoke and draft control gasketing
 This category includes gasket systems that are surface-applied (such as kerf applied, adhesive backed or mechanically attached) to frames or doors. It includes gasketing for the meeting edge for use in pair and double-egress assemblies.

NOTE: This category covers gasket systems that have been evaluated for use in positive-pressure-rated assemblies but do not "provide" an edge-sealing system to the opening (see Category G).

Testing and compliance

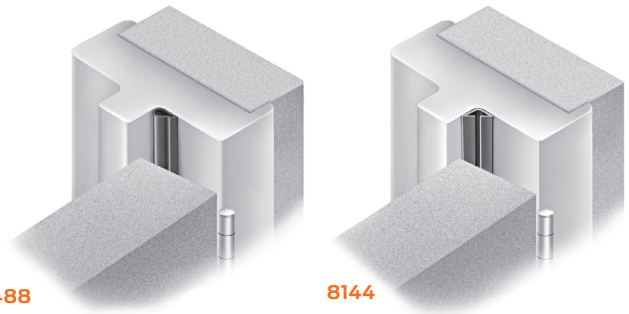
U.S.		International	
UL 10B	Standard for fire tests of door assemblies	CAN/ULC-S104-10	Canadian standard method for fire tests of door assemblies.
UL 10C	Standard for positive pressure fire tests of door assemblies	International Standards Organization ISO 3008 2007	Fire-resistance tests - door and shutter assemblies
UL 1784	Standard for air leakage tests of door assemblies and other opening protectives.	British standard institute BS 476-PART 22 1987	Methods for determination of the fire resistance of non-load bearing elements of construction
IBC 2018	International building code	British standard institute BS 476-PART 31 1983	Methods for measuring smoke penetration through doorsets and shutter assemblies
NFPA 105	Standard for the installation of smoke door assemblies	BS EN 1634	Fire-resistance tests for door and shutter assemblies
NFPA 252	Standard methods of fire tests of door assemblies	Building and regulatory test Australia / New Zealand AS 1530.4	Fire resistance test



Intumescent solutions

Category G and Category H seals

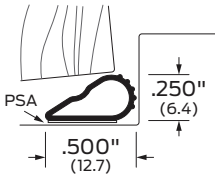
Our extruded, surface-applied fire and smoke seals are engineered for improved performance and shelf life. These self-extinguishing, flame-retardant seals are formulated with a proprietary chemistry using silicone and intumescent.



188 /488

8144

188FS

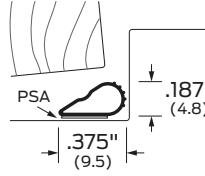


Finishes: BK Option: ZAG ANSI/BHMA: 188FS-PSA-BK ROU154

Intumescent rubber for fire and smoke protection. PSA standard. 45-minute fire rating when used on category B wood doors.



488FS

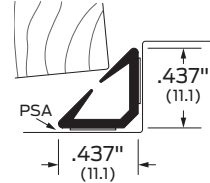


Finishes: BK Option: ZAG ANSI/BHMA: 488FS-PSA-BK ROU154

Intumescent rubber for fire and smoke protection. PSA standard.

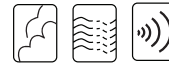


8144FS



Finishes: BK Option: ZAG ANSI/BHMA: 8144FS-BK ROU154

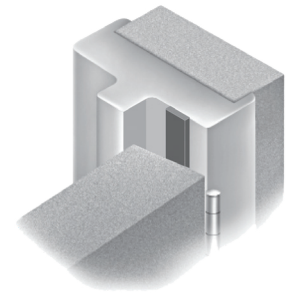
Intumescent rubber for fire and smoke protection. PSA standard.



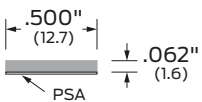
Head and jamb FS3003 intumescent seals

Intumescent fire seals for use where smoke and draft control is not required. Can be mortised into wood doors or frames, or into edge strips. Wide range of choices tested to positive pressure standards, including UL 10C and BS 476-Part 22 1987.

Available in black color. Supplied in 8 feet (2.4m) coil.

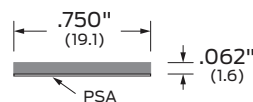


3062500PSA

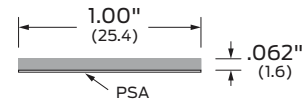


Provides 30 minutes fire resistance. Two parallel seals can provide 60 minutes fire resistance in hardwood constructions.

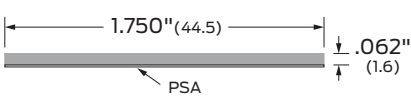
3062750PSA



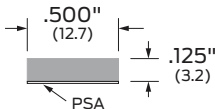
30621000PSA



30621750PSA

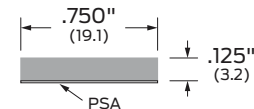


3125500PSA



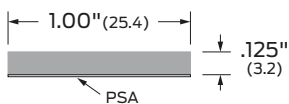
Suitable for softwood constructions or where the gap between the door and the frame is greater than usual.

3125750PSA



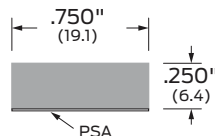
Provides 60 minutes fire resistance. Can be notched to fit around hinges.

31251000PSA

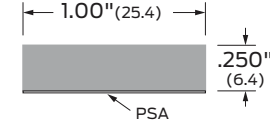


Larger seal helps control door distortion. May also be used between the door frame and masonry.

3250750PSA



32501000PSA



All items on this page:



Solutions and specialty products

Intumescent technology and firestopping solutions



Intumescent material definitions and physical properties

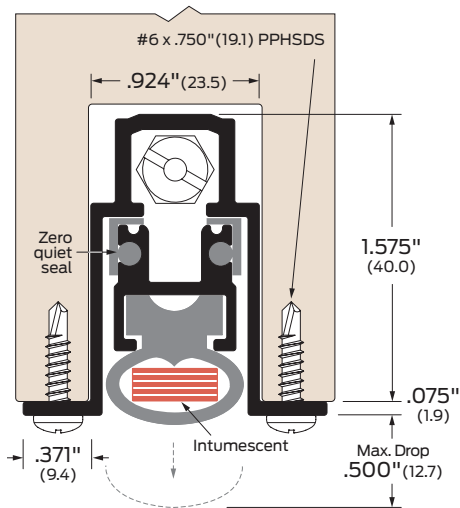
	FS3003	FS4004
Activation Temperature	350°F (176°C)	550°F (288°C)
Expansion volume	16-18 X	80 X
Expansion pressure	27 PSI (.0187 N/mm)	131 PSI (.09 N/mm)
Multi or controlled directional	✓	✓
Stability after expansion	Very good	Poor
Char	Soft and fluffy	Fluffy
Flame-resistant	✓	✓
Moisture-resistant	✓	✓
Chemically inert /paintable	✓	✓
Non-carcinogenic	✓	✓
Long-life (no deterioration)	✓	✓
Odor-free	✓	✓
Color – standard	Black	Red

Specifications:

Stock Sizes: Thickness .062"(1.6), .125"(3.2), .250"(6.4)
Width .375"(9.5), .500"(12.7), .750"(19.1), 1.00"(25.4), 1.75"(44.5), 2.00"(50.8)

Intumescent automatic door bottoms

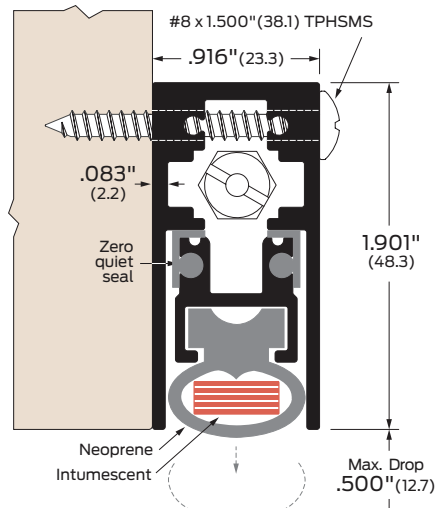
364FS



Finishes: AA
Options: Z49, PL
ANSI/BHMA: 364FS-AA R3B3241

Mortised. Intumescent fire protection.

365FS



Finishes: AA, BK, D, G
Options: LK, PL, SEC
ANSI/BHMA: 365FS-AA, 365FS-BK, 365FS-D, 355FS-G R3B3341

Surface-mounted application. Intumescent fire protection.

All items on this page:



Finishes:

AA Clear Anodized Aluminum
BK Black Anodized Aluminum
D Dark Bronze Anodized Aluminum
G Gold Anodized Aluminum

Options:

Z49 Removable end cap
PL Pull out
SEC Torx security screws
LK Locking key



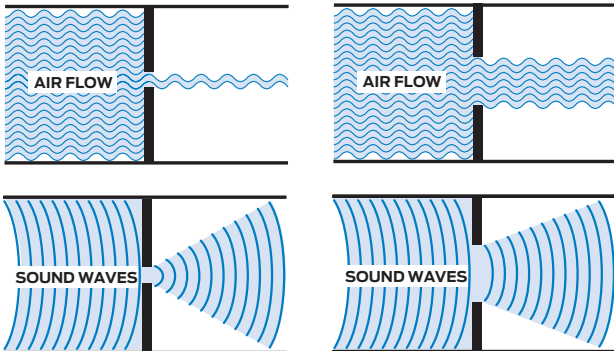
Sound control solutions

Zero's sound trap sound control systems are solving sound problems in all types of facilities—including performing arts centers, recording studios, commercial offices, hospitals, schools, churches, hotels and apartment buildings, as well as industrial plants, embassies and government buildings.

Adjustable gasketing: key to our success

Nobody does sound control better than Zero. Our sound seals and systems are built to withstand the stress of the installation process and perform reliably. We use advanced technology to master two critical challenges: creating an effective sound barrier at the perimeter of the door and preventing gaps in that barrier for the life of the assembly.

Gaps in sound barriers are a major problem because sound travels through any opening with very little loss. While the amount of air flowing through a gap increases in proportion with the size of the gap, the size of the gap in a sound barrier does not matter. A small hole transmits almost as much sound as a much larger gap.



Because of this phenomenon, any unsealed gaps effectively cancel out the noise reduction benefits of even the highest-rated sound doors. To be effective, acoustical door assemblies require gasketing that provides a **complete, uninterrupted and air-tight** seal around head, jamb and sill. If all sides of the door are not sealed, the gasketing used will provide little or no sound-control value.

Imperfect alignment is a common cause of gaps even in newly installed gasketing. Problems can also surface later on as buildings shift and settle and doors cycle through changes in temperature and humidity. Zero solves the problem efficiently with adjustable gasketing.

Models such as the **770 adjustable jamb-applied gasket** are designed to perform consistently over time. When clearances increase, a few turns of a screwdriver is all it takes to restore a sound-tight seal.

Proven solutions for sealing the gaps

Our featured sound trap gasketing systems can satisfy a wide range of commercial and industrial sound-control applications for single swinging doors – as well as provide privacy behind double doors for typical office applications.

Sound transmission class (STC) table

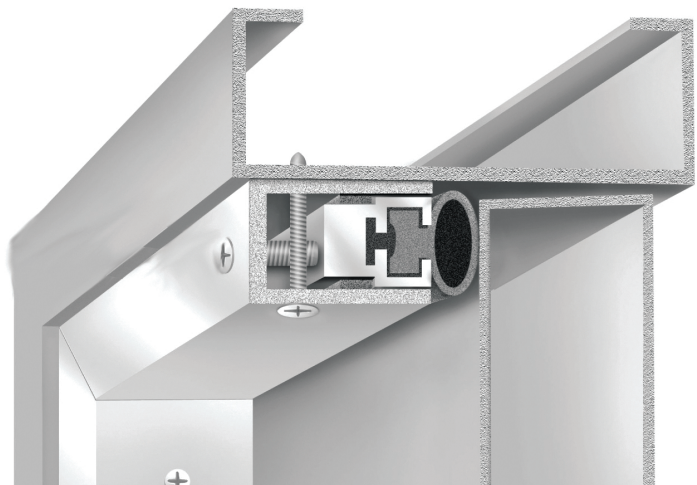
STC	Performance	Description
50 - 60	Excellent	Loud sounds heard faintly or not at all.
40 - 50	Very Good	Loud speech heard faintly but not understood.
35 - 40	Good	Loud speech heard but hardly intelligible.
30 - 35	Fair	Loud speech understood fairly well.
25 - 30	Poor	Normal speech understood easily and distinctly.
20 - 25	Very Poor	Low speech audible.

Sound Transmission Class (STC) ratings indicate the ability to prevent the transfer of sound from one area to another. For example, 12 inches of reinforced concrete would be rated at 56 STC, while 1/4" plate glass is 26 STC.

Zero sound trap systems high level rating

Gasketing system	Head and jamb	Threshold	Door bottom	STC Rating
STC 1	3708 and 119WB	564B	367	53 STC
STC 2	770 and 119WB	564B	367	52 STC
STC 3	770 and 119WB	656B	367	51 STC
STC 4	170 and 119WB	564B	367	51 STC
STC 5	485 and 119WB	565B	361	49 STC
STC 6	870 and 119WB	564B	365	49 STC

All systems tested with STC 55 Doors (rated as panels).



The integrity of the system, properly installed, is essential to its sound rating. Zero guarantees the performance of sound trap systems in rated assemblies provided that other manufacturers' gasketing products are not combined with Zero components.

Sound control solutions – single door

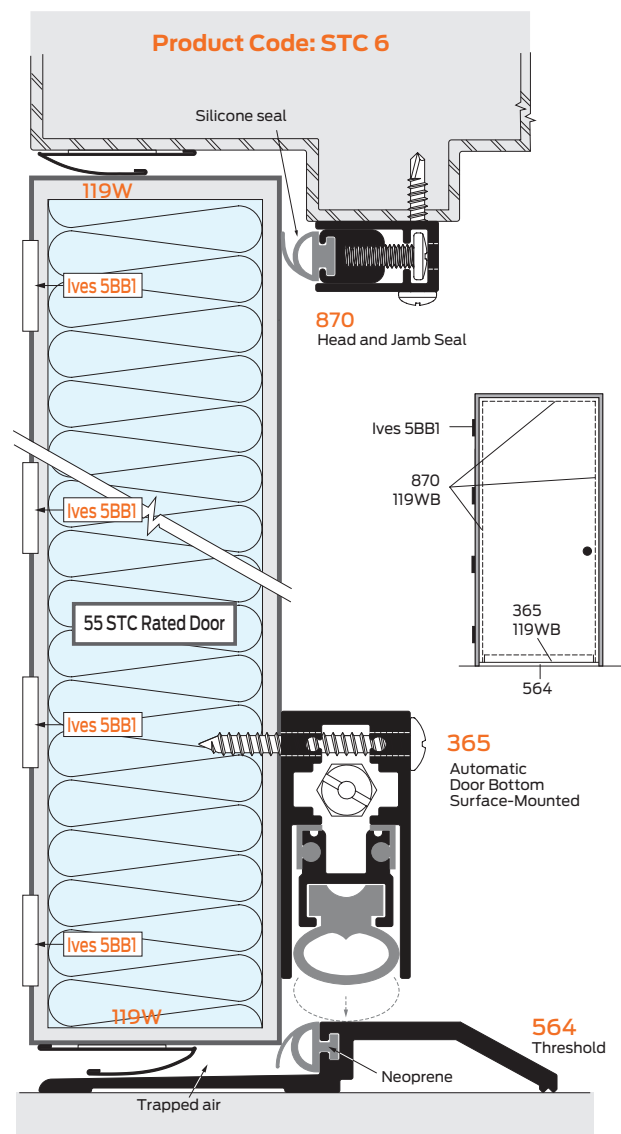
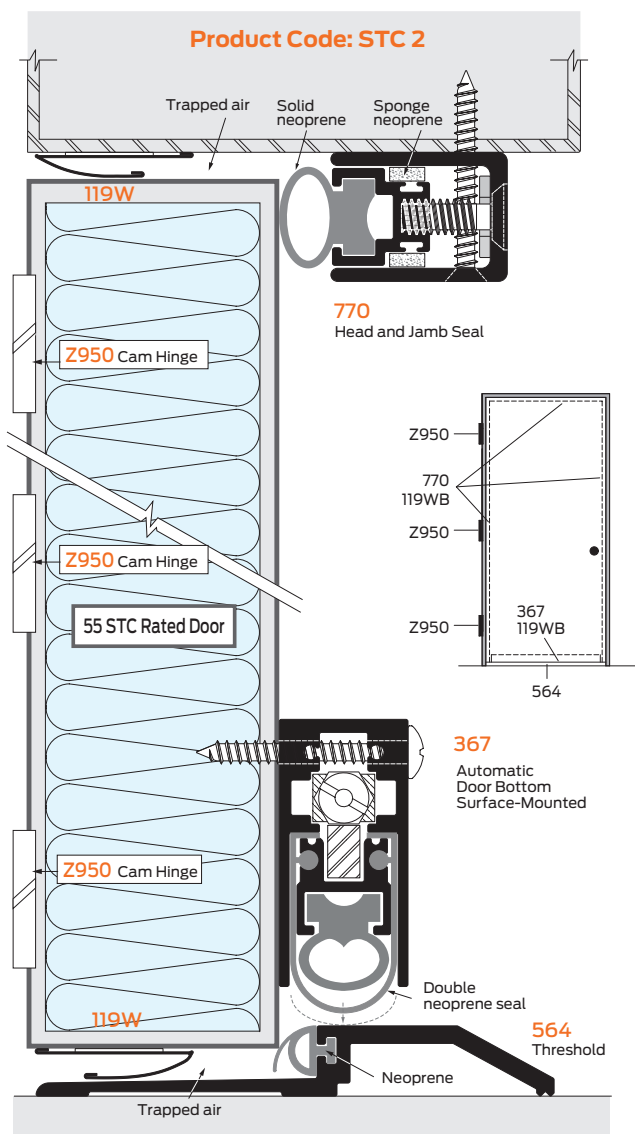


Sound trap 52 STC sealing system

Our sound trap 52 STC rated systems are designed for use with sound-rated single metal doors with a cased-opening frame. They provide an STC 52 rating when properly fitted with STC 55 or higher acoustical doors. That level of sound control means loud sounds will be heard only faintly, or not at all, on the opposite side of the door, which satisfies the typical needs of recording studios and performance halls. It is also suitable for office buildings and other commercial facilities that need to mute very loud noise originating from outside, such as the sound of aircraft overhead or heavy traffic nearby, as well as interior equipment noise. A metal frame **without a stop** is recommended in order to use the Model #770 adjustable head and jamb seal, which is an important component in this system.

Sound trap 49 STC sealing system

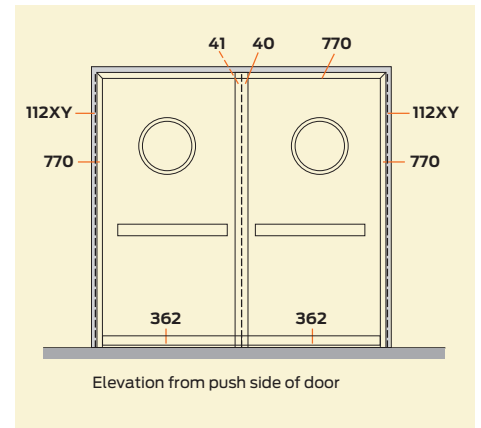
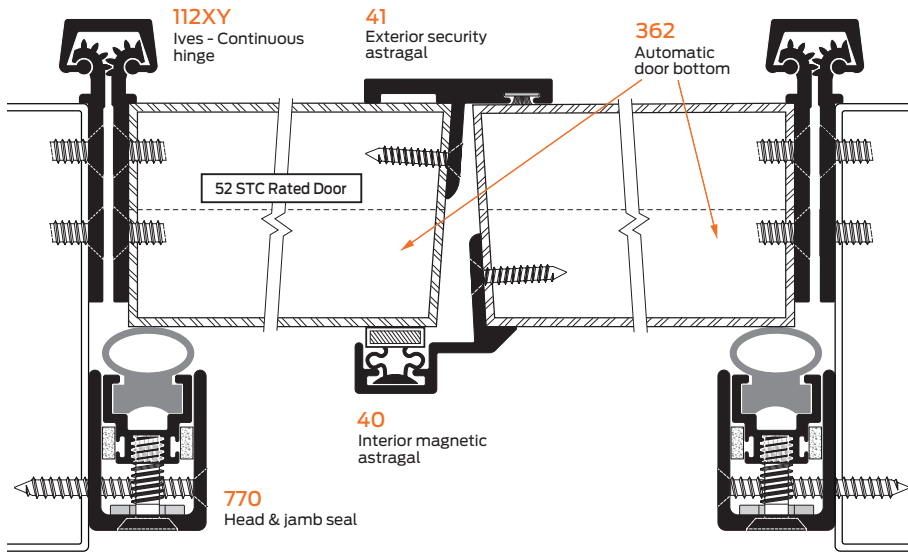
Sound trap 49 STC rated systems for single doors feature several alternative head and jamb seals designed for use with frame stops. The 49 STC value they provide means that loud speech will be heard only faintly and cannot be understood on the opposite side of the door. That level of acoustic performance provides very good sound control suitable for a variety of applications ranging from busy schools to multi-family residential buildings and any settings requiring private conversations, such as doctors' offices, counseling centers and churches. A metal frame **with a stop** is recommended.





Sound control solutions - pairs systems

Solutions and specialty products

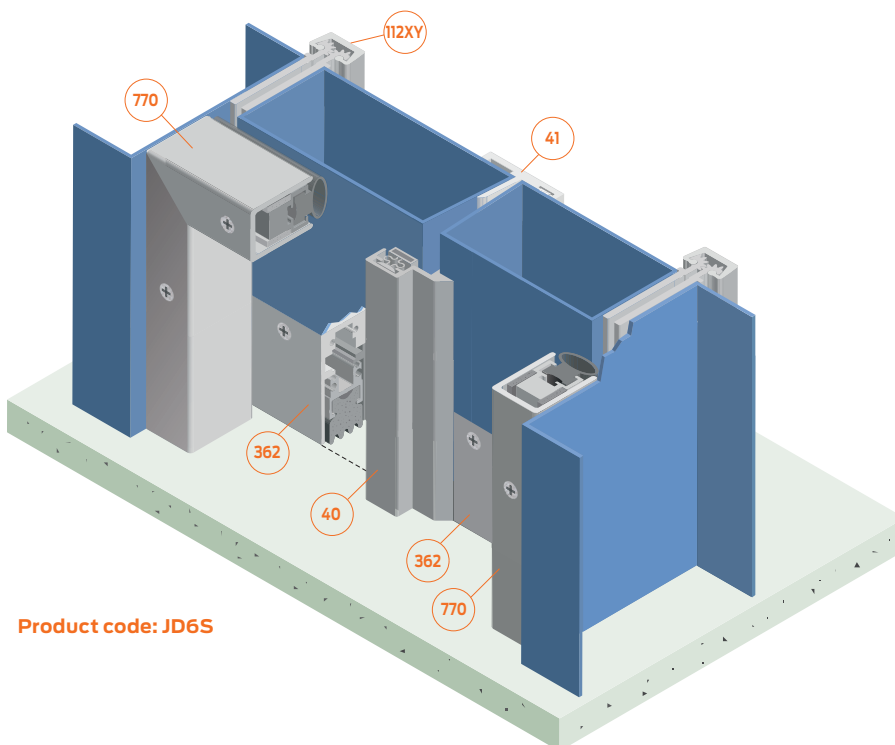


Sound trap system JD6S

Pairs of doors pose additional challenges for sound control because there are more openings to seal. The need for a meeting stile means there will always be relatively more sound leakage through pair assemblies than with single doors. Properly fitted with STC 52 or higher acoustical doors, Zero's **sound trap-pairs** system for metal doors achieves an office-friendly estimated STC rating of 41 with an optimal configuration that balances those limitations with appropriate, cost-effective technology.

Alternative seal option to 40/41

For a pairs configuration with suitable wood doors, you need Model #383 astragals for the meeting stile. #383 provides three sets of seals to block sound: the neoprene bulb with extra "lip" of neoprene in the primary seal at the meeting edge, plus another neoprene "finger" for added sound cushioning against the active door.



Product code: JD6S

Thresholds

Automatic door bottoms

Perimeter seals

Weatherstripping

Intumescent

Sound control

Specialty applications

Appendix

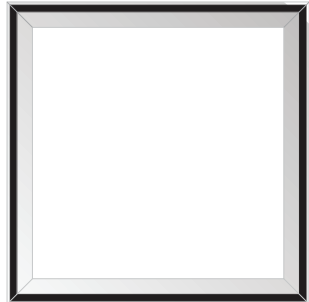
Sound control solutions



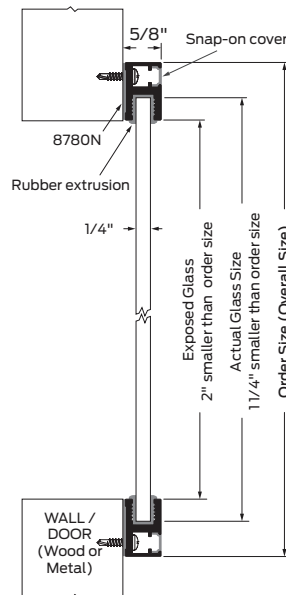
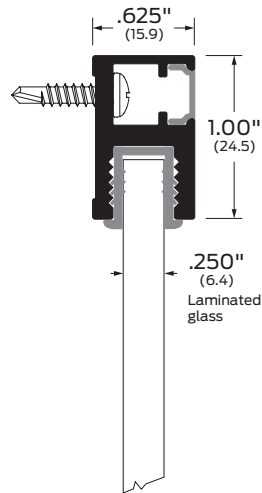
8880 - Vision Lite for doors, walls and acoustical windows

To increase sound rating for doors, walls and acoustical windows of any thickness. Used with 1/4" thick glass. (Glass sold separately.) Aluminum extrusion frame with concealed screws. Supplied with factory mitered corners.

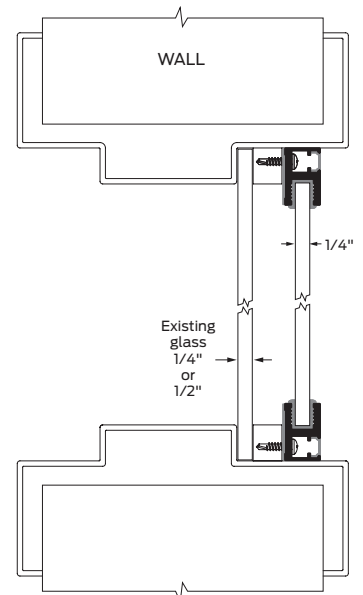
8880



Finishes:
AA, BK, D, G



● APPLICATION ON DOOR
Surface mounted.



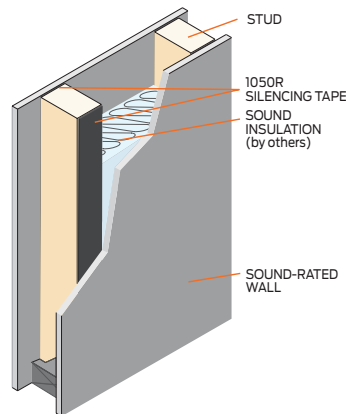
● APPLICATION ON WINDOW
Surface mounted on any edge of window frames.

Structural acoustics - floors and walls

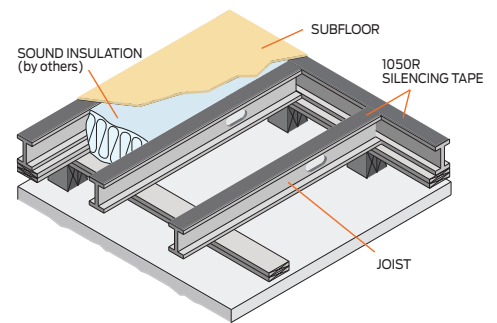
Sound-damping materials and products used to isolate or insulate structural elements in floors and walls perform a vital role in reducing vibrations to minimize sound transmission.

Structural silencing tape 1050R

- Extruded low-density, high-elasticity neoprene rubber, self-adhesive one side.
- Absorbs and dampens vibrations.
- Designed for application to floor joists and wall studs and install as usual.
- Supplied in 75-foot coils.

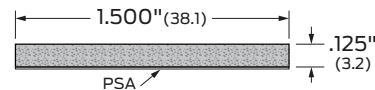


● APPLICATION ON WALL STUDS



● APPLICATION ON FLOOR JOISTS

1050R



Finish:
Grey

Finishes:

AA	Clear Anodized Aluminum
BK	Black Anodized Aluminum
D	Dark Bronze Anodized Aluminum
G	Gold Anodized Aluminum



Sound control systems

Zero has designed and tested its systems against air, light, smoke, fire and sound to demonstrate the effectiveness of these products and materials. By specifying a complete “Control System,” you are assured that the components installed for head, jamb and sill will perform properly together. All tests were performed in accordance with nationally accepted standards by independent laboratories.



Sound - single doors

System no.	Door rating	Type of door	Head & jamb	Door bottom	Threshold	STC
STC1	55	Metal	3708 + 119WB	367	564B	53
STC2	55	Metal	770 + 119WB	367	564B	52
STC3	55	Metal	770 + 119WB	367	656B	51
STC4	55	Metal	170 + 119WB	367	564B	51
STC5	55	Metal	485 + 119WB	361	565B	49
1T	52	Metal	770	367	564A	47
2T	52	Metal	870	361	565	44
2U	52	Metal	485	361	565	44
1R	51	Metal	770	361	565	44
4R	51	Metal	370	361	565	43
5S	52	Metal	328	361	565	42
5T	52	Metal	312	351	564	42
SU299	38	Wood	188S	None	564A	37
TR298	35	Wood	8144FS	253	1685R	35
LG302	36	Wood	188S	369	None	35



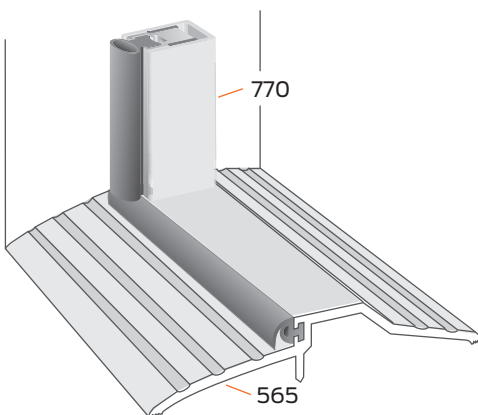
Sound - double doors

System no.	Door rating	Type of door	Head & jamb	Door bottom	Meeting stiles	STC
RM1	48	Metal	770	367	383/139/118B	47
JD6S		Metal	770	362	40	41
JD8S		Metal	475	362	156/56	36
AT4	37	Metal	188/119WB	564	383	36
AT5	37	Metal	485/119WB	564	383	35
AT7	37	Metal	485/119WB	839/544	383	35

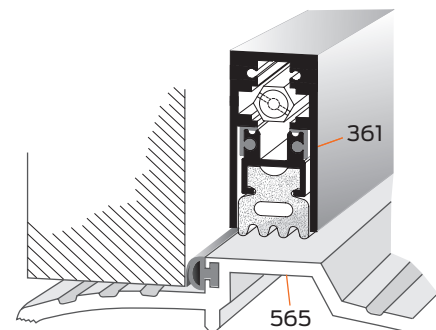
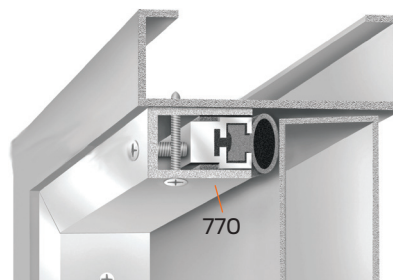
Applications

All types of openings with a sound-reduction requirement, including:

- High-performance sound blocking, such as recording and broadcast studios, theaters and concert halls, commercial industrial factories.
- Privacy and security needs, such as doctors' offices, corporate offices, school counseling offices, embassies and military.



System 1R



Solutions and specialty products

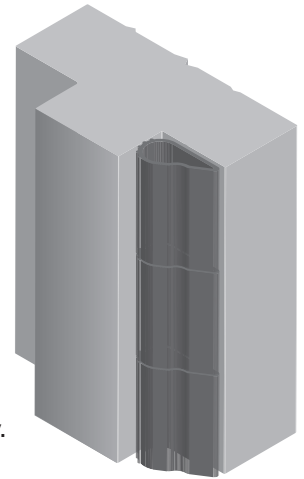
Specialty head and jamb protection Ligature-resistant gasketing (ZAG option)



Zero offers a ligature-resistant option to prevent gasketing from being used for unintended purposes, including harming self or others. The rubber in our patented ligature-resistant gasketing is scored before insertion into aluminum extrusions. This allows the seal to still function normally for its specified purpose, but it will now break apart if removed from the housing or if any weight is placed on the seal.

Applications for ligature-resistant gasketing include correctional facilities and mental health facilities.

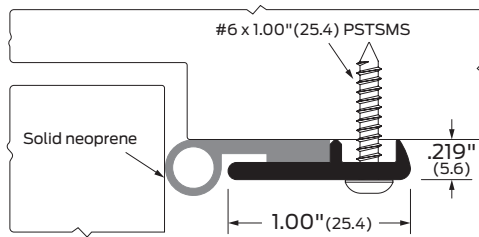
Gasketing ordered with this patented feature is installed as usual, with no special handling required. In addition to the applications shown below, the ligature-resistant option can be supplied on request with most other Zero gasketing. To order, add ZAG to the part number. All products with the ZAG option are supplied standard with Torx security screws for added security.



Applications

Correctional facilities, hospitals, psychiatric and mental health facilities.

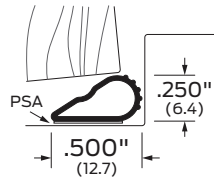
328 ZAG



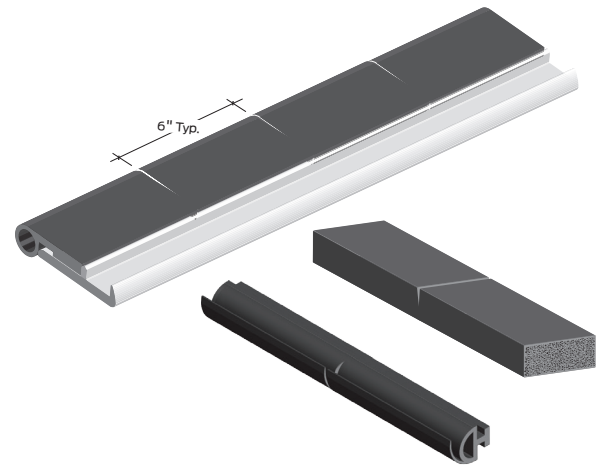
Finishes:
AA, B, BK,
D, G



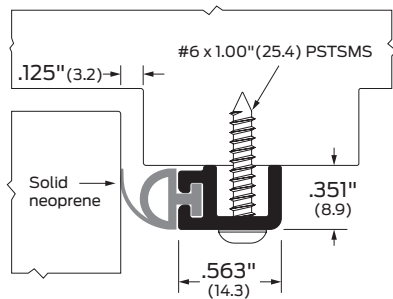
188 ZAG



Finishes:
BK, BR, CL, GY,
WH, FS, BIO



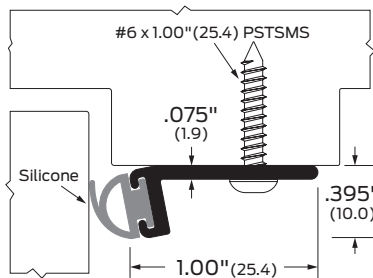
485 ZAG



Finishes:
A, BK, D, G

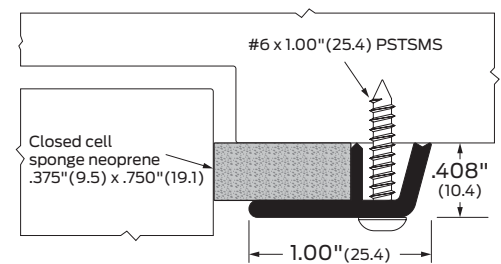


99 ZAG



Finishes:
A, BK, D, G

318 ZAG



Finishes:
AA, BK, D, G



All items on this page:



Finishes:

- BIO** Antibacterial rubber white color
- A** Aluminum Mill Finish
- AA** Clear Anodized Aluminum
- B** Bronze
- BK** Black Anodized Aluminum
- D** Dark Bronze Anodized Aluminum

Option:

- ZAG** Ligature-Resistant

- G** Gold Anodized
- S-BK** Silicone, Black
- S-BR** Silicone, Brown
- S-CL** Silicone, Clear
- S-GY** Silicone, Gray
- S-WH** Silicone, White



Cam lift full mortise hinges

Cam lift full mortise hinges

Mortise-type cam hinges for use with sound-insulating doors utilizing acoustical seals. The cam action greatly improves the sealing characteristics along the door perimeter, lifting and lowering the door with the swing.

Available for right or left-hand swinging doors. Cam lift hinges will not bind door closures when doors are hung within accepted industry standards. (Tested with LCN 4041 Series original).

Finish: STST630 (US32D).

Part #	Door rating (1 1/2 pairs)	Screw size (metal doors)	Lift (180° opening)
Z955	Up to 200 lbs.	12-24 x 3/4" UC	3/16"
Z953	Up to 300 lbs.	12-24 x 3/4"	1/4"
Z950	Up to 500 lbs.	12-24 x 3/4"	5/16"
Z9500	Up to 900 lbs.	5/16-18 x 3/4"	5/16"



Z955ST
12-24 x 3/4"



Z953ST
12-24 x 3/4" UC



Z952ST
5/16-18 x 3/4"

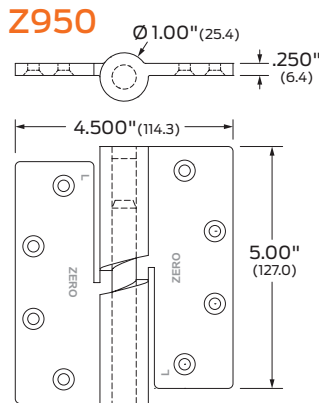


Z951ST
12 x 1 1/4" SMS

Hinge:	Stainless Steel US304
Pin:	Stainless Steel 420 J2
Type:	Mortise/ Handed - specify right or left hand
Clearance:	Minimum clearance at head of frame is 3/16". For doors greater than 1-3/4" clearance is 1/4"
Finish:	630 (US32D)
Note:	For Z950 and Z9500 screws must be engaged no less than .350" in ASTM A-36 steel reinforcement



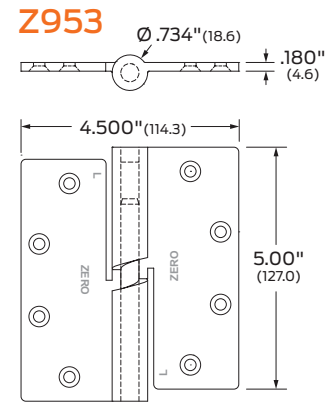
Z950 L



Finish: STST
Options: L- Left Hand
R- Right Hand



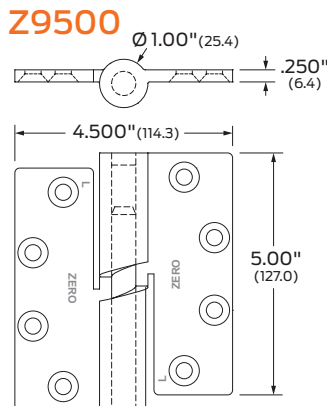
Z953 L



Finish: STST
Options: L- Left Hand
R- Right Hand



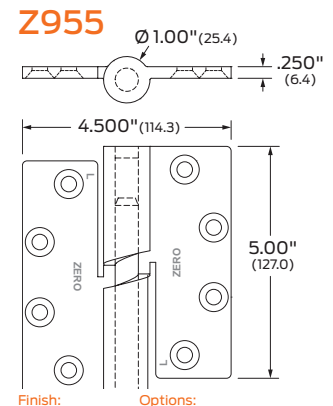
Z9500 L



Finish: STST
Options: L- Left Hand
R- Right Hand



Z955 L



Finish: STST
Options: L- Left Hand
R- Right Hand

All items on this page:



Solutions and specialty products

Finger guards



Finger guards

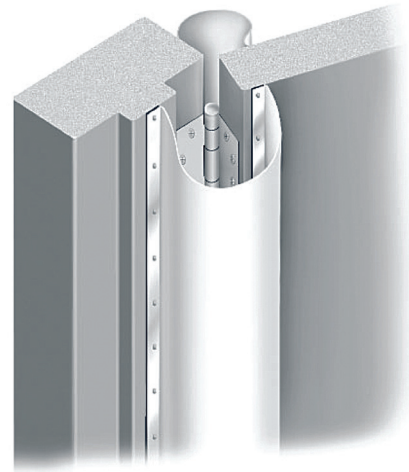
Hand and finger protection for heavy-duty industrial applications, child care, school safety, hospitals, and workplaces.

A commercial-quality, maintenance-free product. Aluminum and flexible rubber available in grey color.

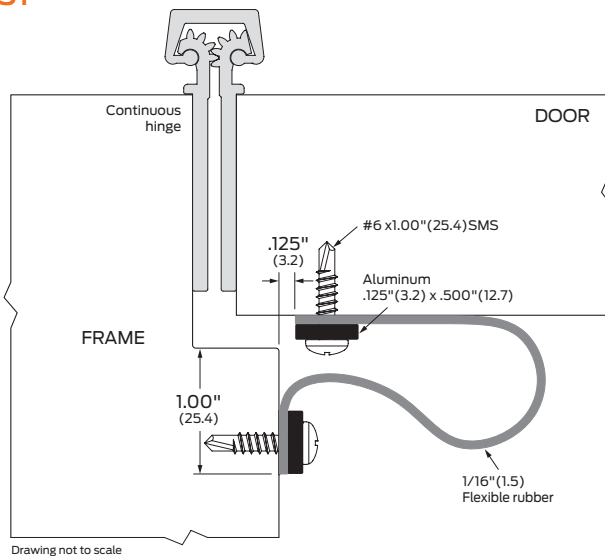
51A-90 (6.5" wide) For door opening up to 90°

51A-180 (8.5" wide) For door opening up to 180°

951 Cover for mortise type hinges

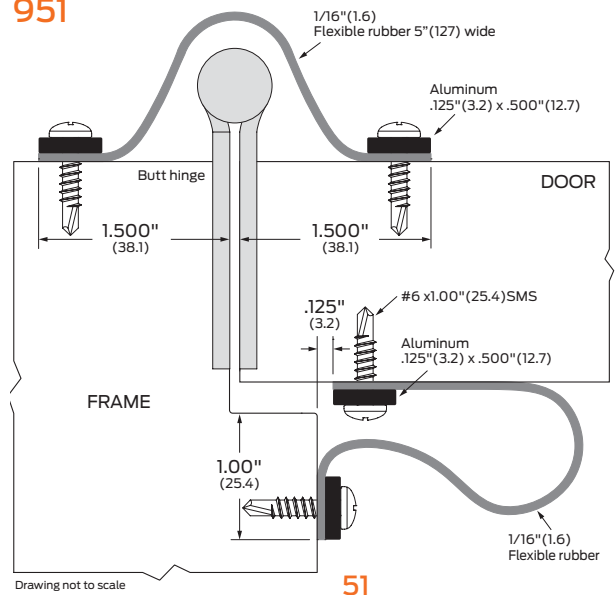


51



Finishes: A, BK, D, G
 Option: SEC
 Opening degree: 90, 180

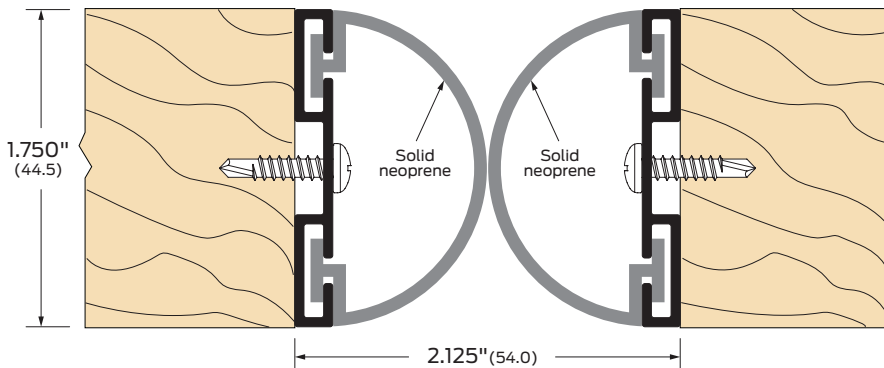
951



Finishes: A, BK, D, G
 Option: SEC

51

72



Finishes: A
 Option: SEC



Finishes:	Option:
A Aluminum Mill Finish	SEC Torx security screws
BK Black Anodized Aluminum	
D Dark Bronze Anodized Aluminum	
G Gold Anodized Aluminum	



BioWall™ antibacterial gasketing

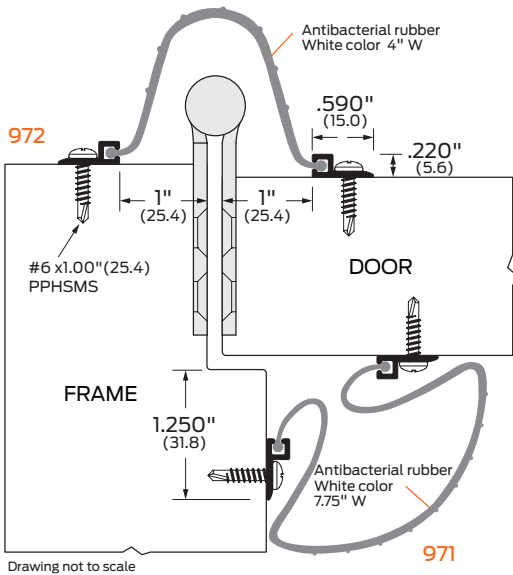
Zero developed **BioWall™ antibacterial** rubber in response to rising hygienic standards and increasing demand for practical, antimicrobial applications in many facilities. Applications range from hospitals, nursing homes and doctors' offices, to veterinary facilities, to schools. Wherever minimizing microbial exposures is crucial to occupant and visitor well-being, **BioWall** can help maintain a sanitary work environment.

Breakthrough technology. This non-toxic rubber inhibits and suppresses microbial growth and reproduction. It was formulated using revolutionary, non-toxic infusion technology, combined with proprietary extrusion technology, natural antimicrobial ingredients, and breakthrough synthetics. It provides long-lasting defense against bacteria, fungi, molds and other microorganisms.

Durable. Our technology provides natural resistance to abrasion, washing, and exposure to UV radiation and various chemicals. Zero BioWall antibacterial gasketing is designed to withstand surface wear and tear to maintain long-lasting antimicrobial protection.

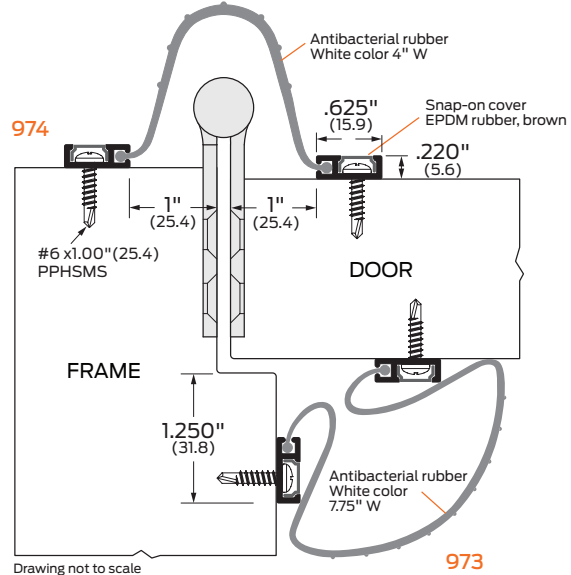


971 / 972 Bio



Finishes: A, BK, D, G
Option: SEC
Opening Degree: 90, 180

973 / 974 Bio



Finishes: A, BK, D, G
Option: SEC
Opening Degree: 90, 180

BioWall finger protection

- Antibacterial hand and finger protection for child care facilities, hospitals and nursing homes, doctors' offices, and other locations requiring highest standards of hygiene.
- Available in two versions. Mountings in models #973 and #974 are concealed with additional BioWall rubber for aesthetics and enhanced antibacterial protection.

All items on this page:



Finishes:	Option:
A Aluminum Mill Finish	SEC Torx security screws
BK Black Anodized Aluminum	
D Dark Bronze Anodized Aluminum	
G Gold Anodized Aluminum	

Solutions and specialty products

ADA Access systems - safety products



Zero's ADA Access Systems help solve the challenge of meeting the American Disability Act Requirements for access into public buildings. The components work together to minimize required door-opening and closing force and to meet threshold height requirements, and fully satisfy the ANSI, ADA standards.

**American National Standard Institute (ANSI),
American With Disabilities Act (ADA),
ICC/ANSI A117.1-217**

Requirements are as follows:

1) Fire doors shall have the minimum opening force allowable by the appropriate administrative authority.

Other doors:

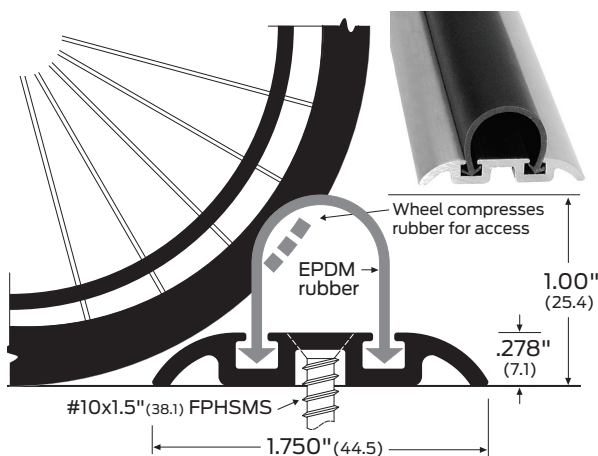
- (a) Interior hinged doors : 5 lbf (22.2N)
- (b) Sliding or folding doors : 5 lbf (22.2N)

These forces do not apply to the force required to retract latch bolts or disengage other devices that may hold the door in a closed position.

2) Thresholds at doorways shall be 1/2" (13 mm) high maximum for other types of doors. Changes in level of 1/4" (6mm) high maximum shall be permitted to be vertical. Changes in level between 1/4" (6mm) high minimum and 1/2" (13mm) high maximum shall be beveled with a slope not steeper than 1:2.

8452 Wheelchair accessible shower threshold

Designed for use when a shower must be accessible to a wheelchair. The rubber gasket keeps water in while allowing the wheel to pass over easily.



Finishes:
A, BK, D, G

Finishes:

- A** Aluminum Mill Finish
- BK** Black Anodized Aluminum
- D** Dark Bronze Anodized Aluminum
- G** Gold Anodized Aluminum

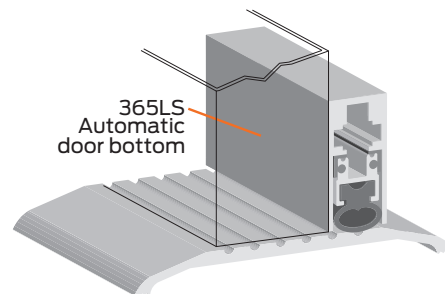
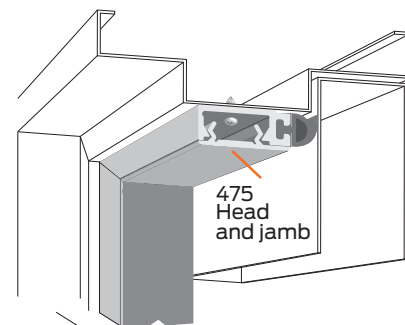
"Light spring" "LS" automatic door bottoms for ADA approved doors

350LS, 351LS, 364LS, 365LS, 366LS "LS" models require lower operating force. "LS" models are suitable for both sliding doors and swinging doors. Outside dimensions are unchanged from standard products.

Test door: 36" X 84" x 1-3/4"

Test results:		Opening force (lbs.)	Closing force (lbs.)
Test 1	475 Head and Jamb	1.75	7.90
Test 2	475 Head and Jamb 365LS Automatic Door Bottom	1.90	9.05
Test 3	Closing force with no seals	-	6.75

System ADA 1000



475 and 365LS - 1.9 lbs opening force



Flood barrier shield

Flood barrier shield for doors helps safeguard building contents

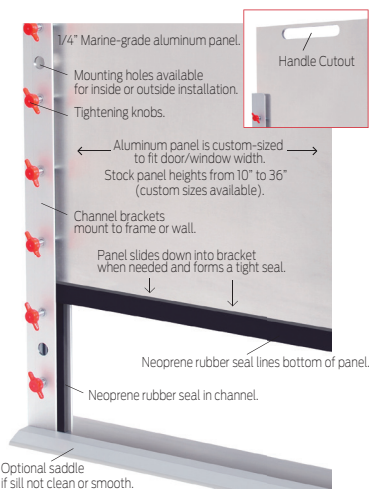
This removable barrier answers pleas from builders for help in protecting doors and building contents from water ingress in flood-prone areas. When water from heavy rain accumulates, the **Flood barrier shield** effectively blocks up to a foot or more of flood waters from permeating door or window openings.

Available in 10, 12, 20, 24, 30 and 36 inch high barriers (other sizes available upon request), the lightweight aluminum shield requires no tools for insertion into premounted vertical channels attached to either the door frame or adjacent walls. Widths up to 36" standard. Widths greater than 36" available as an engineering special.

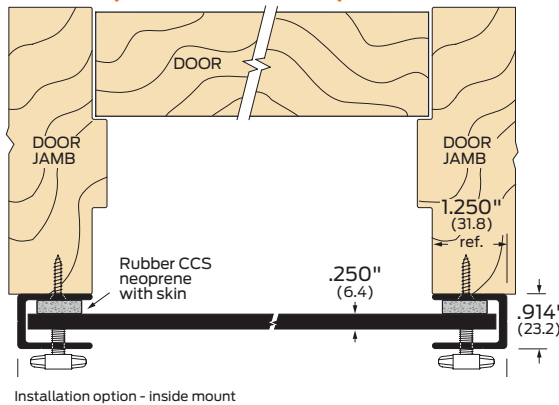
The unit complies with guidelines of the Federal Emergency Management Agency (FEMA) and Federal Insurance Administration (FIA) for use on doors in flood-prone areas.

The key to the shield's impermeability is the use of closed cell sponge (CCS) neoprene rubber engineered by Zero to ensure a water-tight seal. The rubber lines the aluminum channel brackets and the bottom of the shield. The neoprene also compensates for gaps at the threshold.

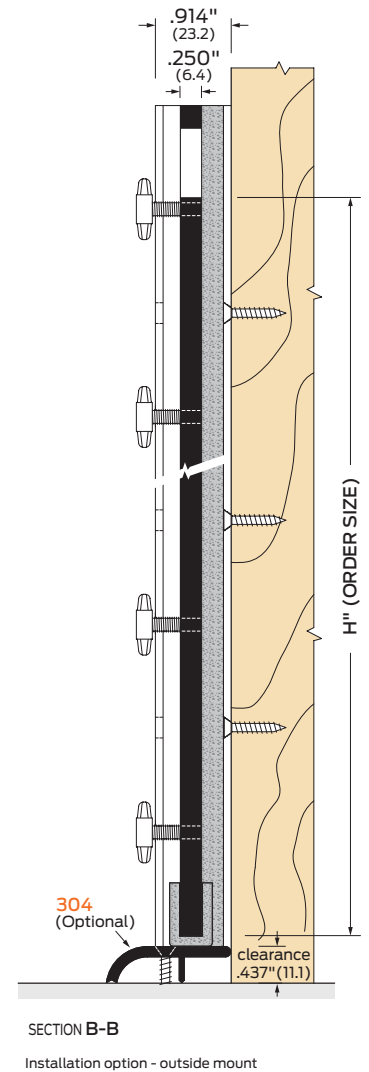
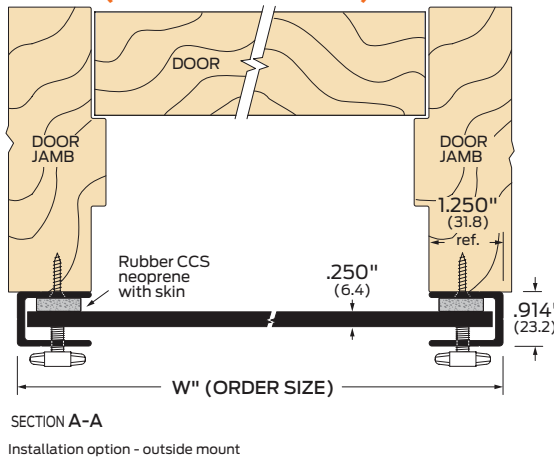
Note: Aluminum panel insert is supplied 7/16" shorter than order width



2070 (Inside mount)



2070 (Outside mount)

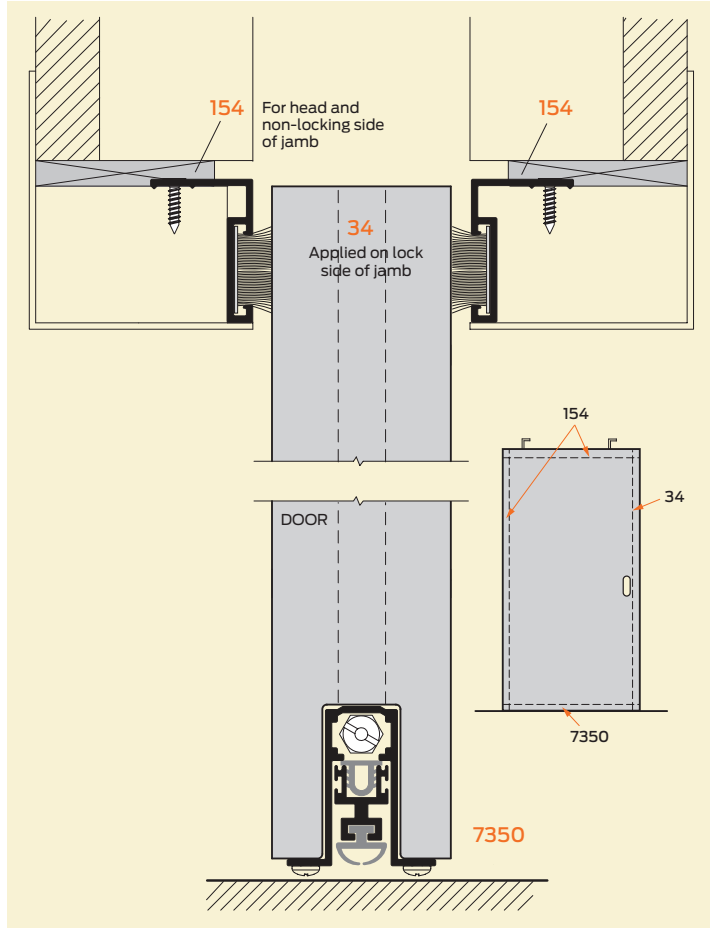


Flood barrier shield for doors

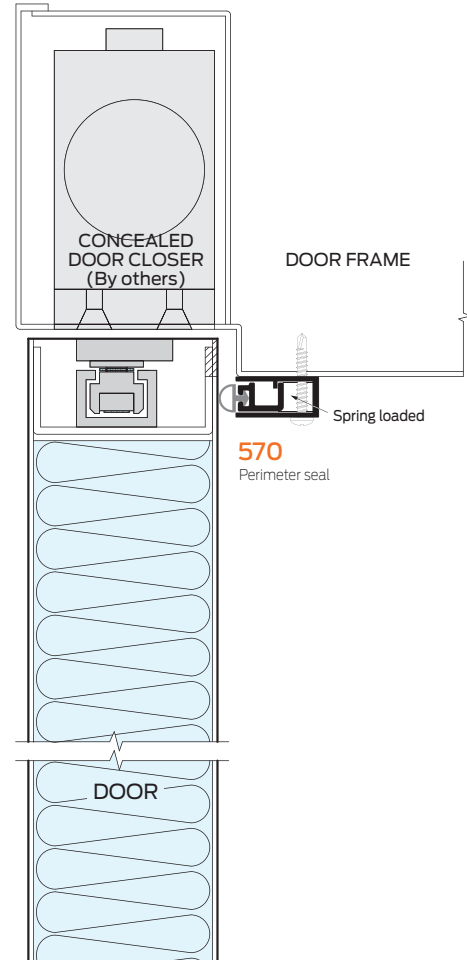
- 2070A - 10 10" High
- 2070A - 20 20" High
- 2070A - 24 24" High
- 2070A - 30 30" High
- 2070A - 36 36" High

Each flood barrier shield is custom fabricated. Specify exact width needed and installation option required.

Gasketing for sliding and pocket doors

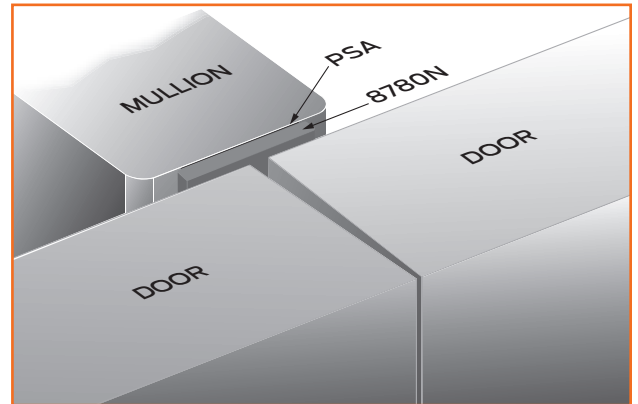
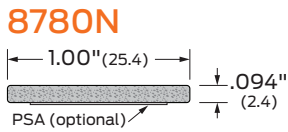


Gasketing for latching pocket doors



Seal for mullion application

The new 8780 is a closed cell sponge neoprene strip 1" (25.4) wide x 3/32" (2.4) thick with self-adhesive tape for mounting directly to the face of the mullion at point of contact with closed doors.





Heavy-duty overhead doors

Thresholds

Automatic door bottoms

Perimeter seals

Weatherstripping

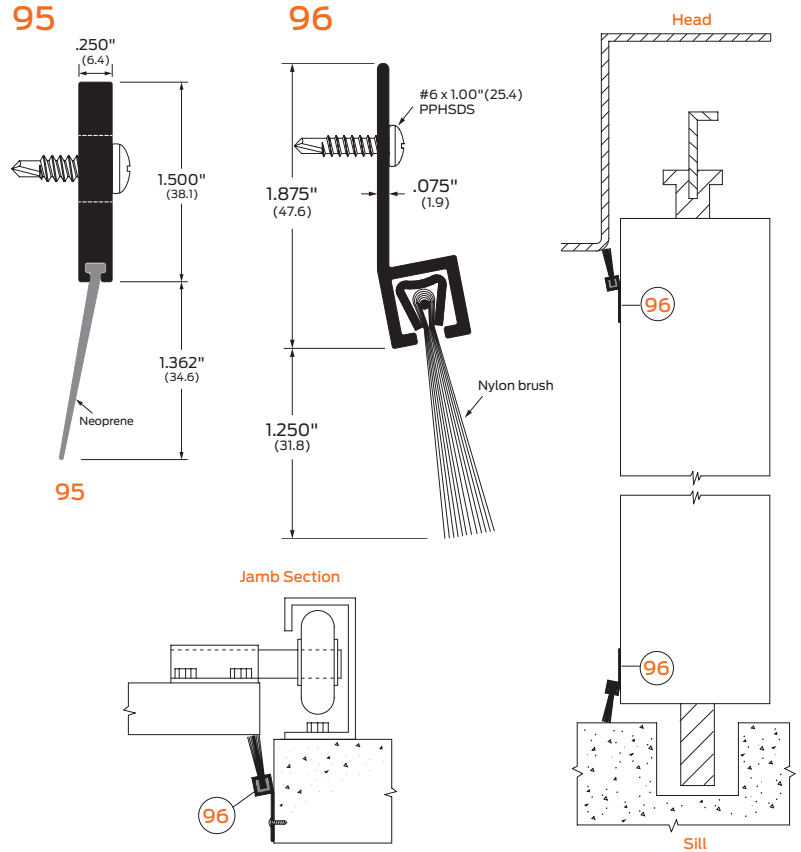
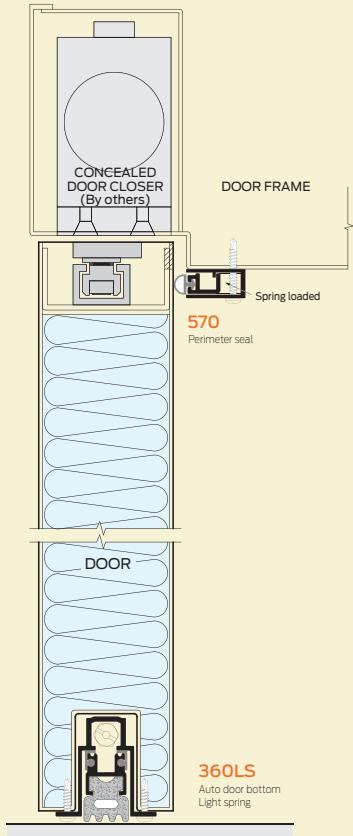
Intumescent

Sound control

Specialty applications

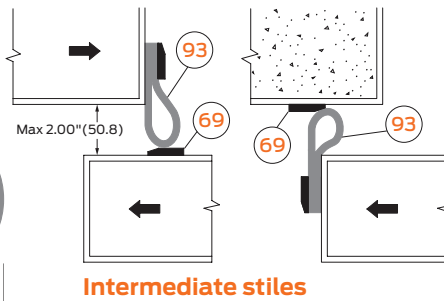
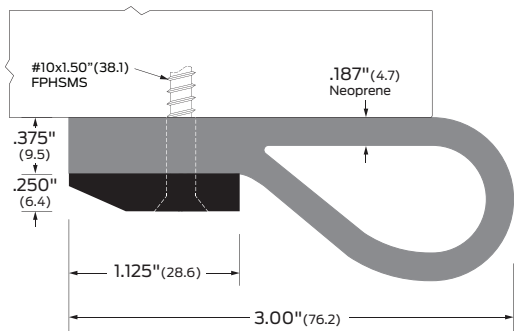
Appendix

Non-latching door Gasketing for non-latching doors



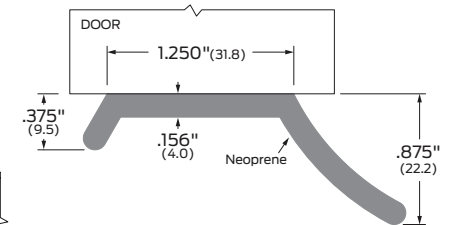
93

3/16" thick extreme temperature neoprene looped as shown (Government specification R-6855, Class II, Grade 40.)



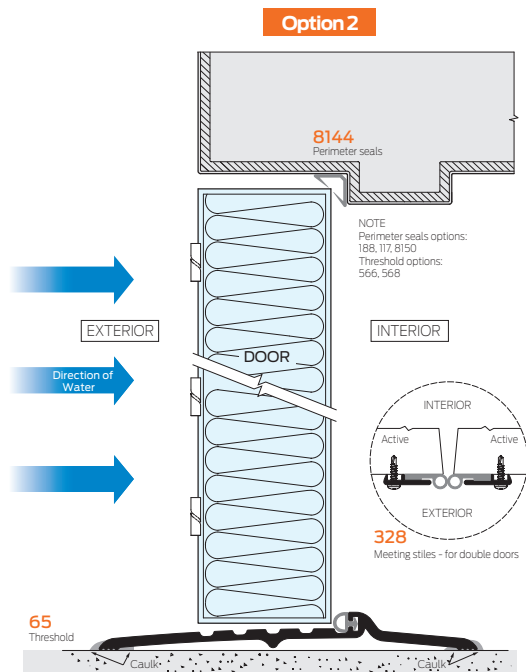
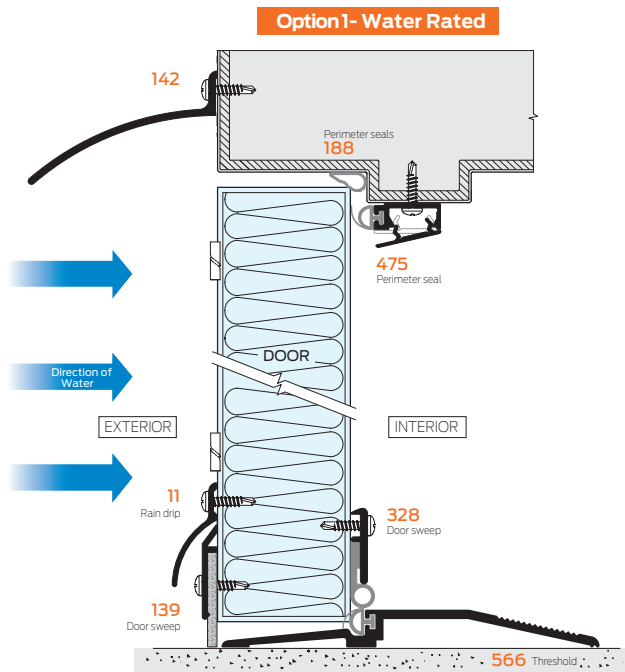
8047R

For overhead doors

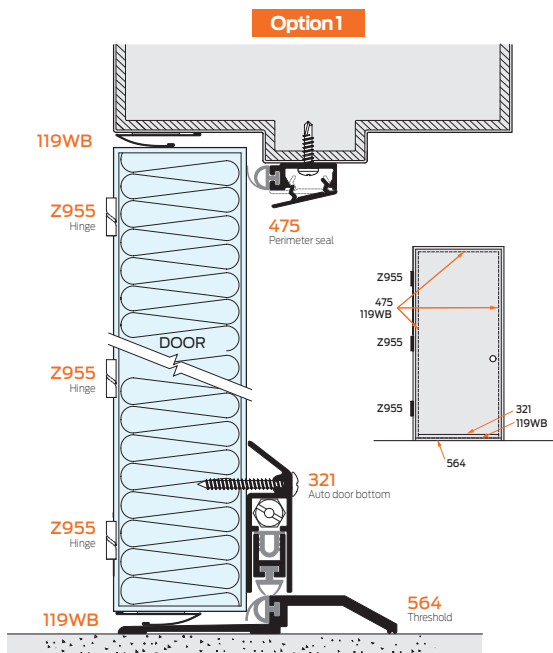


Solutions and specialty products

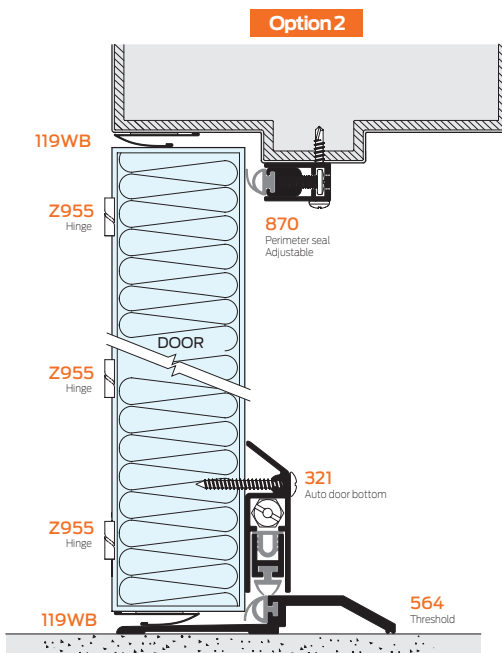
Hurricane protection wind-driven water infiltration (Dade County Florida)



“Safe haven” room gasketing and areas of rescue assistance Air infiltration - 110 MPH (165KM/H) Wind velocity - air leakage 0.56 CFM (2.8CMH)



Evaluated in accordance with ASTM E28

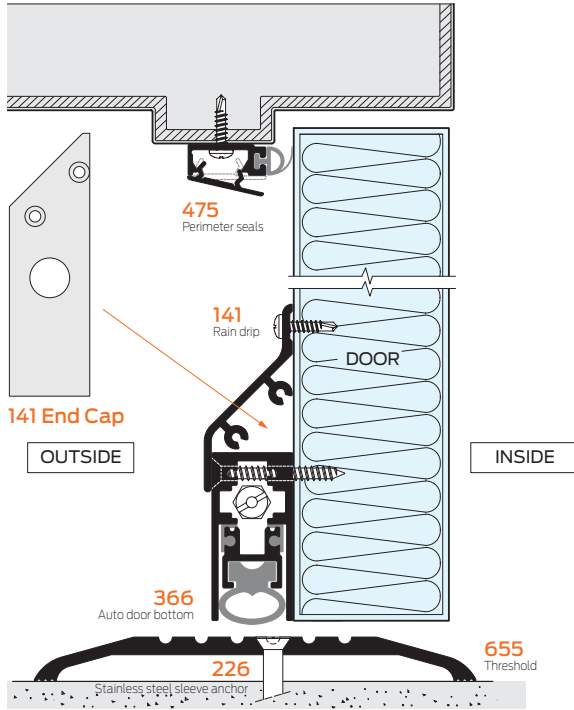


Evaluated in accordance with ASTM E283

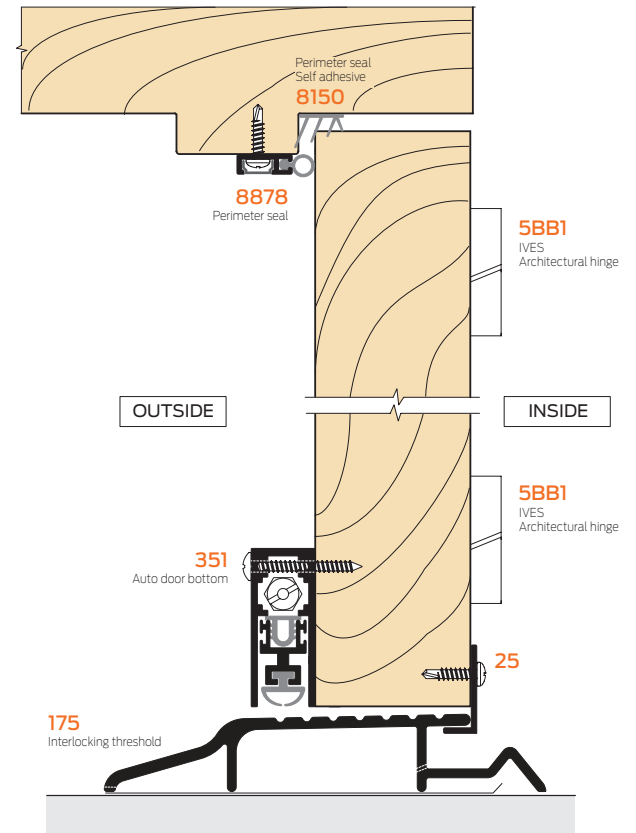


Typical gasketing applications

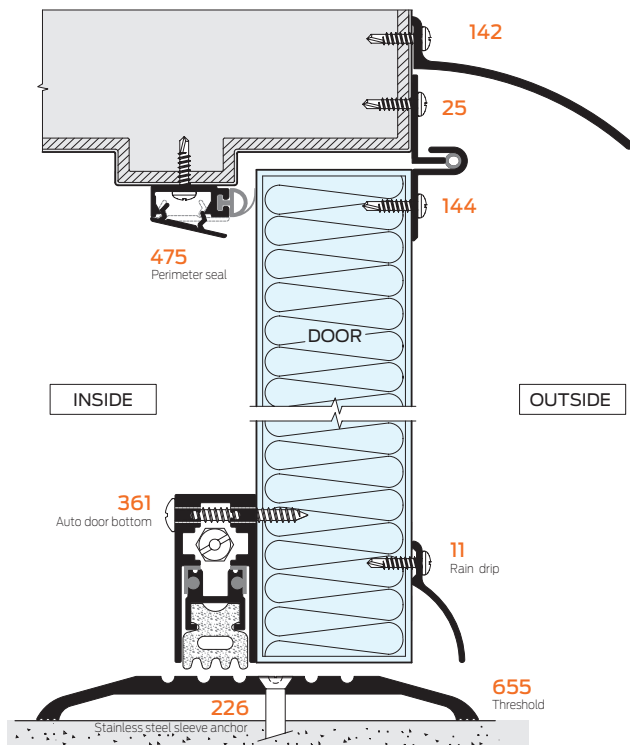
Typical gasketing for exterior inswing door



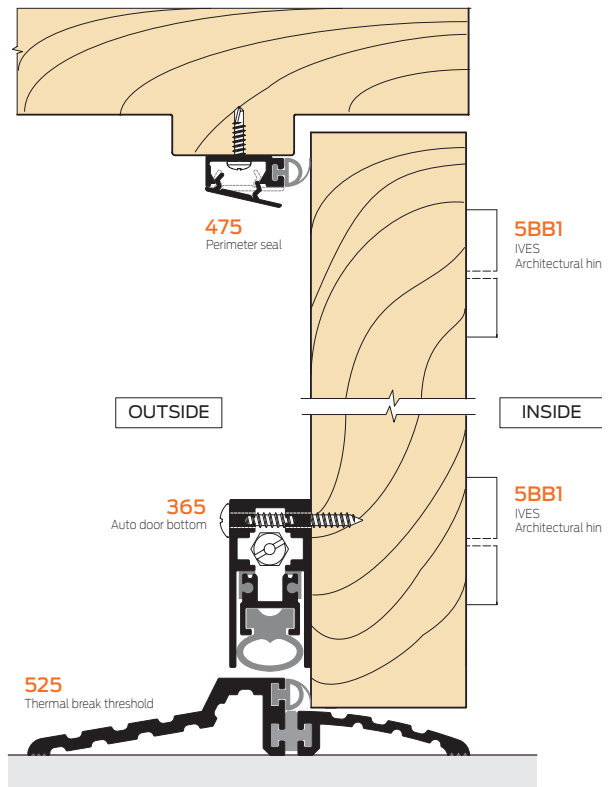
Typical gasketing for residential



Typical gasketing for exterior outswing door



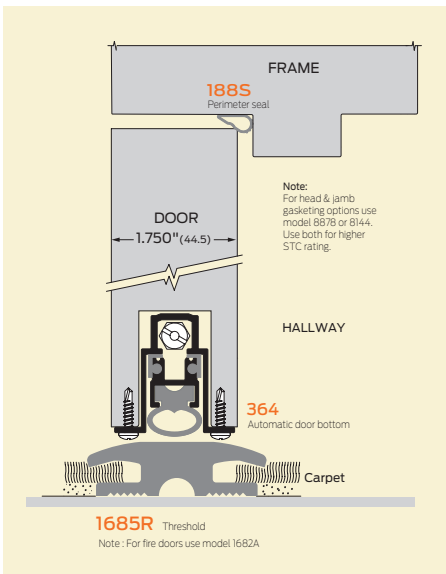
Cold weather solution



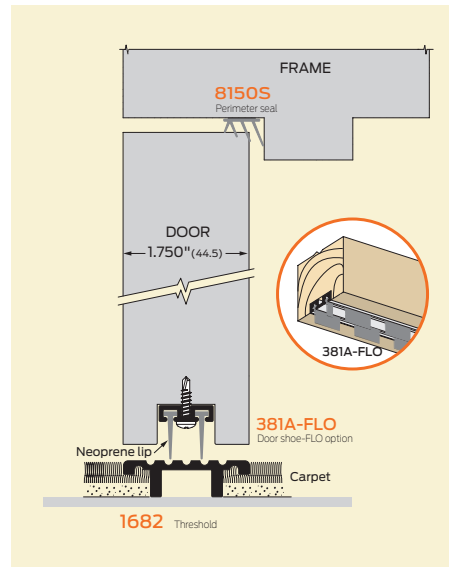
Hotel gasketing solutions



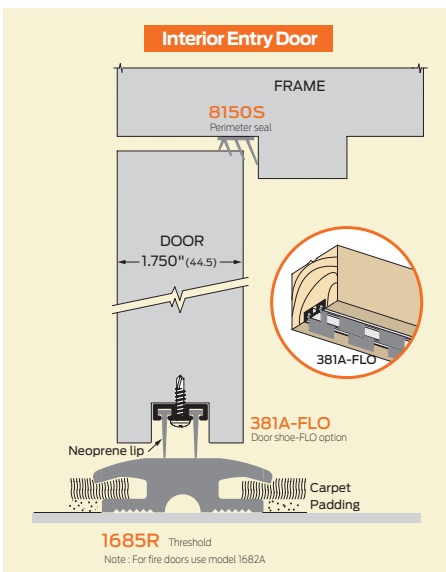
Interior entry doors - option 1



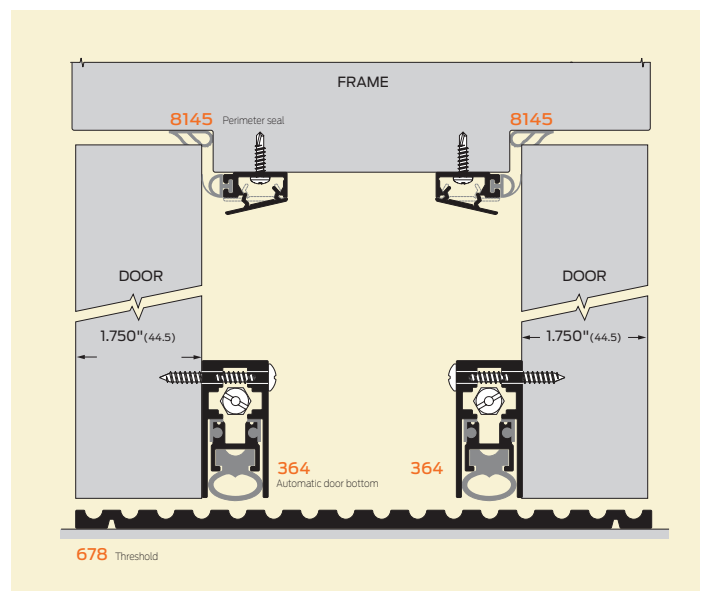
Communicating doors - new construction



Interior entry doors - option 2



Communicating doors- aftermarket





Air infiltration for smoke doors, outside doors, air lock doors, air tight doors.

Air flow pressure applied to a door as listed per testing standards:

.10 inches of water	24.90Pa	15 Miles/Hr
.30 inches of water	76.00Pa	25 Miles/Hr
.60 inches of water	150Pa	35 Miles/Hr
1.23 inches of water	306Pa	50 Miles/Hr
2.76 inches of water	688Pa	75 Miles/Hr
4.92 inches of water	1223Pa	100 Miles/Hr

Pressure Rate	Standard	Leakage Rate
.10 inches of water	NFPA 105, UL 1784, IBC 715.4.3.1 STD	3.0 CFM= 16.95 CMH/LM

Pressure Rate	Standard		Leakage Rate
	System#	Part#	
.30 inches of water	K	No gasketing	11.36 CFM= 64.18 CMH/LM
.30 inches of water	Z-1	475+565+365	.02 CFM= .11 CMH/LM
.30 inches of water	D*	328/326 +164+154	.07 CFM= .39 CMH/LM
.30 inches of water	A*	328/326 +565+361	.03 CFM= .17 CMH/LM
.30 inches of water	B	770+565+361	.04 CFM= .22 CMH/LM
.30 inches of water	Z-2	370+565+365	.07 CFM= .39 CMH/LM
.30 inches of water	E	328+164+361	.17 CFM= .96 CMH/LM
.30 inches of water	F	318+564+351	.25 CFM= 1.41 CMH/LM
.30 inches of water	SM-11	8144+8770+355	.27 CFM= 1.52 CMH/LM
.30 inches of water	G	312+565+351	.35 CFM= 1.97 CMH/LM
.60 inches of water	SM-12	475+565+365	.04 CFM= .22 CMH/LM
.60 inches of water	SM-14	328+565+361	.06 CFM= .33 CMH/LM
.60 inches of water	SM-16	770+565+361	.07 CFM= .39 CMH/LM
.60 inches of water	SM-17	370+565+365	.08 CFM= .45 CMH/LM
.60 inches of water	SM-18*	328/326+164+361	.25 CFM= 1.41 CMH/LM
1.2 inches of water	SM-19*	328/326+565+361	.09 CFM= .51 CMH/LM
1.23 inches of water	SM-20	770+565+361	.11 CFM= .62 CMH/LM
1.23 inches of water	Z-3	370+565+365	.16 CFM= .90 CMH/LM
1.23 inches of water	SM-21*	328/326 +164+361	.38 CFM= 2.15 CMH/LM
1.23 inches of water	SM-22	8144+8770+355	.64 CFM= 3.62 CMH/LM
2.76 inches of water	SM-23	8144+8770+355	1.39 CFM= 7.85 CMH/LM
4.92 inches of water	SM-24	475+564+119WB	.56 CFM= 2.82 CMH/LM

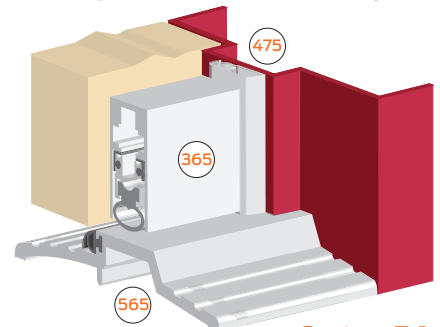
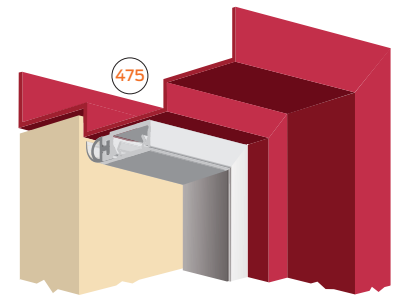
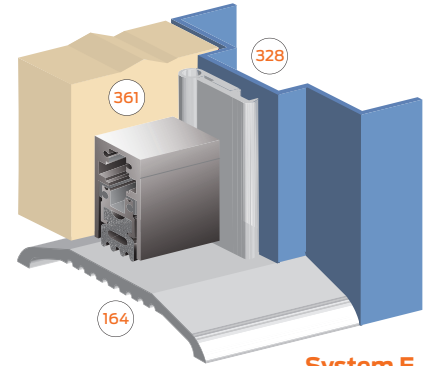
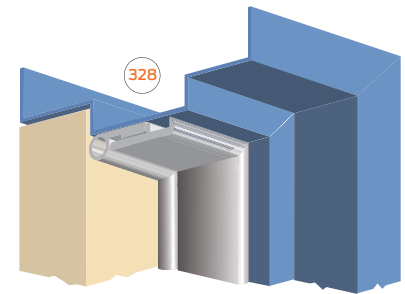
CMH / LMC = Cubic meter per hour / Linear meter of crack.
 *328 used for hinge side, 326 for head and lock side.

Smoke and draft control

Fire door assemblies shall also meet the NFPA 105 requirements for a smoke and draft control door assembly tested in accordance with UL 1784. The air leakage rate of the door assembly shall not exceed 3.0 cubic feet per minute per square foot [0.01524 m³/(sq m²)] of door opening at 0.10 inch (24.9 Pa) of water for both the ambient temperature and elevated temperature tests. Installation of smoke doors shall be in accordance with NFPA 105.

Conclusions and observations

- 1) To comply with NFPA 105 and/or any of the standards that refer to air/smoke infiltration rates, door seals must be specified and installed. In general a door will not pass the smoke test without gasketing.
- 2) The higher the air pressure differential, the better the quality of the gasketing is needed.
- 3) Adjustable gasketing facilitates installation and allows adjustment when needed for consistent performance over time.
- 4) Hospitals are designed with the idea of keeping patients in their rooms in case of fire. In a room that measures 10 x 10 x 9 feet with a 3 x 7 foot door, the room will be 100% filled with smoke from smoke-filled corridors in 15 minutes if the door only complies with the UL 1784/ NFPA 105 maximum leakage standard 3.0 CFM. If the leakage rate is reduced to .02 CFM using smoke control systems, it will take 37 hours for smoke to fill that same room.
- 5) Although fast, efficient evacuation is the goal in school fires, prudent design should provide adequate smoke protection exceeding 15 minutes for students who might remain trapped in fully engaged fire zones.



Replacement rubber reference chart



Rubber part number	Compatible models
1370N	376, 1840, 1370, 3709
139N	139
153N	111, 153, 253
312N	312
314N	50, 314
3150N	55, 55FS, 56, 56FS, 3056FS, 38
318N	140, 318, 322
320N	320, 321, 323
326N	326, 3709
328N	328, 3708
3365N	364, 365, 366, 367, 368, 369
363N	170, 270, 360, 361, 362, 470
365N	272, 472, 770
3676N	2673, 2676, 3672, 3673, 3674, 3675, 3676
367N	367, 368, 369
383N	381, 383, 477
486N	73, 383, 475, 478, 485, 560, 563, 564, 566, 568, 3831, 7338, 7770
521S-BK	521FS
52N	52
539N	539
53N	53, 853, 3551
570S-BK	65, 355, 570
572N	265, 267, 524, 525, 526, 565, 561, 627, 628, 8729
5813S-BK	99, 5831
59N	59FS
72N	72, 452
7770N	7770
8194N	134, 3546, 8194, 8195
8197N	8151, 8191, 8197
8303S-BK	429, 8303, 8878
8353N	350, 351, 352, 7350
8452N	8452
8557S-B	33, 35, 100, 58FS, 399, 555, 557, 873, 3557, 5833
870S-BK	31, 36, 712, 870, 5831FS
9137S-CL	9137



Part number index

4.....	99	141.....	46, 47, 60	398V.....	82	813N.....	98	8138.....	100
5.....	99	142.....	60	399V.....	82	824N.....	96	8144FS.....	96, 107
11.....	60	144.....	60	400.....	99	826N.....	97	8144S.....	96
15.....	18	153.....	66	429.....	76	870.....	70	8145S.....	96
18.....	99	154.....	66	452.....	66	870SPB.....	87	8149.....	67
19.....	99	155.....	78	469.....	28	871.....	64, 70, 78	8150S.....	97
19W.....	99	156.....	79	470.....	71	873.....	70, 78	8151.....	67
23.....	12	159FS.....	83	472.....	71	905.....	84	8172N.....	97
25.....	12, 60	164.....	16	475.....	72	926N.....	97	8191.....	63
31.....	75	168.....	29	477.....	63	951.....	116	8192.....	64, 80, 102
32.....	75	170.....	69	478.....	72	971.....	117	8193.....	65, 77, 80, 102
33.....	75	175.....	34	485.....	72	972.....	117	8194.....	65, 80, 102
34.....	82	188BIO.....	96	485 ZAG.....	114	973.....	117	8195.....	80
34P.....	98	188FS.....	96	488BIO.....	96	974.....	117	8197.....	63
35.....	82	188S.....	96	488FS.....	96, 107	1050R.....	112	8198.....	65
36.....	82	221.....	11	488S.....	96	1370.....	74	8216S.....	97
38.....	82	222.....	11	500.....	99	1545.....	18	8217S.....	83
39.....	62	223.....	11	511.....	67	1545B.....	18	8302.....	77
39W.....	62	224.....	11	521FS.....	68	1673.....	18	8303.....	77
40.....	85	226.....	11	522.....	26	1674.....	18	8305.....	76
41.....	85	232.....	32	523.....	19	1675.....	18	8452.....	38, 118
43.....	84	233.....	32, 33	524.....	19	1682.....	26	8655.....	16
44.....	84	234.....	33	525.....	25	1682B.....	26	8724.....	24
47.....	84	235.....	32	526.....	25	1684.....	26	8726.....	24
48.....	29	236.....	32, 33	539.....	62	1685R.....	26	8729.....	25
49.....	29	237.....	33	544.....	14	1686R.....	26	8770N.....	97
50.....	74	238.....	33	545.....	14	1840.....	85	8780N.....	97, 120
50M.....	63	253.....	66	545B.....	14	1841.....	85	8800S.....	94
51.....	116	253FS.....	68	546.....	14	2070.....	119	8810S.....	94
52.....	66	254.....	66	547.....	15	2070N.....	98	8812S.....	94
53.....	67, 82	255.....	64	548.....	15	2361.....	32	8841R.....	94
55.....	78	259R.....	33	555.....	78	2673.....	31	8877.....	77
55FS.....	78	265.....	22	555FS.....	78	2676.....	31	8878.....	77
56.....	79	267.....	22	557.....	79	3056FS.....	79	8879.....	77, 80
56FS.....	79	268.....	29	557FS.....	79	3544.....	67	8880.....	112
58FS.....	74	269.....	28	560.....	22	3546.....	67	9131.....	101
59FS.....	68, 83	270.....	71	561.....	23	3551.....	51	9137.....	101
63.....	14	272.....	71	563.....	23	3552.....	51	3062500PSA.....	107
64.....	14	302FS.....	76	564.....	21	3557FS.....	79	3062750PSA.....	107
65.....	22	304.....	18	565.....	23	3672.....	30	30621000PSA.....	107
68.....	29	312.....	73	566.....	21	3673.....	30	30621750PSA.....	107
69.....	29	312N.....	97	567.....	21	3674.....	31	3125500PSA.....	107
70.....	34	314.....	73	568.....	21	3675.....	31	3125750PSA.....	107
72.....	66, 116	318.....	73	570.....	72	3676.....	31	31251000PSA.....	107
73.....	34	318N.....	97	571.....	63	3708.....	71	3250750PSA.....	107
76.....	34	318 ZAG.....	114	600CP.....	39	3708N.....	97	32501000PSA.....	107
80.....	34	320.....	52	601CP.....	39	3709.....	71	A	
84R.....	29	321.....	52	622.....	19	4000.....	99	ADA 1000.....	118
93.....	65, 121	322.....	73, 86	623.....	19	5000.....	99	J	
95.....	65	323.....	52	624.....	24	5831.....	75	JD6S.....	111
95A.....	121	326.....	76, 81	625.....	24	5831FS.....	74	Z	
96.....	64, 121	328.....	62, 76, 81	626.....	24	5832.....	75	Z950.....	115
98.....	64, 74, 80, 102	328FS.....	76	627.....	19	5832FS.....	74	Z953.....	115
99.....	74, 81	328SPB.....	87	628.....	19	5833.....	75	Z955.....	115
99 ZAG.....	114	328 ZAG.....	114	639W.....	65	6570.....	17	Z9500.....	115
100.....	74, 81	329.....	63	643.....	26	6575.....	17, 40		
102.....	20	339.....	62, 86	647.....	17	6710.....	28		
103.....	20	339FS.....	68	653.....	15	7000.....	35		
104.....	20	339W.....	62	654.....	15	7332.....	35		
105.....	28	350.....	51	655.....	16	7334.....	35, 37		
106.....	28	351.....	51	656.....	16	7335.....	36, 37		
107.....	28	352.....	51	657.....	17, 40	7336.....	36		
110.....	66	355.....	51	663.....	22	7337.....	36		
111.....	66	360.....	49	664.....	15	7338.....	37		
111FS.....	68	361.....	49	671.....	29	7350.....	53		
117S.....	97	362.....	49	672.....	27	7770.....	70		
118.....	99	364.....	49	673.....	27	8004N.....	94		
118 ZAG.....	114	364FS.....	53, 108	674.....	27	8042S.....	96		
119.....	99	365.....	49	675.....	27	8043N.....	95		
119W.....	99	365FS.....	53, 108	676.....	27	8047R.....	121		
133.....	101	366.....	49	678.....	28	8048S.....	95		
134.....	101	367.....	50	712.....	70	8049R.....	67		
135.....	100, 101	368.....	50	770.....	69	8052N.....	94		
136.....	100, 101	369.....	50	770FS.....	69	8053Q.....	95		
137.....	100, 101	370.....	72, 81	770SP.....	70	8054S.....	95		
137P.....	98, 101	375.....	72, 81	770SPB.....	87	8055S.....	95		
138.....	100, 101	376.....	74	770STST.....	70	8056S.....	95		
139.....	73, 86	381.....	67, 83	810N.....	98	8136.....	100		
139N.....	97	383.....	84	811N.....	98	8136P.....	98		
140.....	73, 86	383FS.....	84	812N.....	98	8137.....	100		

Thresholds

Automatic door bottoms

Perimeter seals

Weatherstripping

Intumescent

Sound control

Specialty applications

Appendix

About Allegion

Allegion (NYSE: ALLE) is a global pioneer in seamless access, with leading brands like CISA®, Interflex®, LCN®, Schlage®, SimonsVoss® and Von Duprin®. Focusing on security around the door and adjacent areas, Allegion secures people and assets with a range of solutions for homes, businesses, schools and institutions.

For more, visit www.allegion.com

KRYPTONITE ■ LCN ■  ■ STEELCRAFT ■ VON DUPRIN